

For New Technology Network

NTN[®]








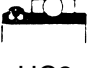

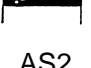
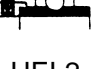
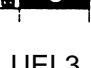
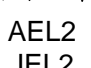
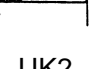



NTNcorporation


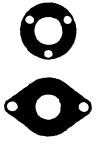



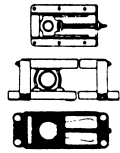
Bearing Units



CAT. NO. 2400-VI/E

Dimension Table

HOUSING			Page		Page		Page		Page		Page		Page		
BEARING															
Set screw type		UC2	334	UCP2	46	UCHP2	66			UCF2	80	UCFC2	104	UCFL2	116
		UC3	340	UCPL2	62	UCUP2	70			UCF3	86			UCFL3	122
		UCX	346	UCP3	52					UCFS3	98				
		AS2	350	UCPX	58					UCFX	92	UCFCX	110	UCFLX	128
				ASPL2	74			ASPP2	76					ASFD2	138
								ASRPP2	78						
Eccentric locking collar type		UEL2	358	UELHP2	174	UELHP2	188			UELFU2	200	UELFC2	220	UELFLU2	224
		UEL3	362	UELPL2	184	UELUP2	190			UELF2	204			UELFL2	228
		AEL2	368	UEL3	178					UELF3	208			UELFL3	232
		JEL2	370	AELPL2	192			AELPP2	196		UELFS3	214			AELFD2
				JELPL2	194			AELRPP2	198					JELFD2	239
Adapter type		UK2	376	UKP2	266					UKF2	278	UKFC2	294	UKFL2	302
		UK3	380	UKP3	270					UKF3	282			UKFL3	306
		UKX	384	UKPX	274					UKFS3	290				
										UKFX	286	UKFCX	298	UKFLX	310
Other bearings				AR2	352	REL2	368	UCS2	384	UCS3	388	ASS2	394		

	Page		Page		Page		Page		Page		Page
UCFA2	130			UCHB2	146	UCT2	150	UCC2	166	UCT2	328
UCFH2	134									UCL2	330
						UCT3	156	UCC3	168	UCM2	331
						UCTX	162	UCCX	171	UCM3	332
		ASPF2	140							ASPT2	173
		ASRPF2	142								
		ASPFL2	144								
						UELT2	248	UELC2	258		
						UELT3	252	UELC3	260		
		AELPF2	240							AELPT2	264
		AELRPF2	244								
		AELPFL2	246								
		JELPF2	242							JELPT2	264
		JELPFL2	247								
						UKT2	312	UKC2	324		
						UKT3	316	UKC3	325		
						UKTX	320	UKCX	327		
UELS2	396	UELS3	400	AELS2	406	JELS2	408	CS2	410	Farm implement bearings	412

Technical Data

Set screw type

Eccentric locking collar type

Adapter type

Ball bearings

NTN

Bearing Units

TECHNICAL DATA INDEX

Page

1. Construction	3
2. Design Features and Advantages	4
2.1 Maintenance free type	4
2.2 Relubricatable type	4
2.3 Special sealing feature	4
2.4 Secure fitting	5
2.5 Self-aligning	5
2.6 Higher rated load capacity	5
2.7 Light weight yet strong housing	5
2.8 Easy mounting	5
2.9 Accurate fitting of the housing	5
2.10 Bearing replaceability	5
3. Tolerance	6
3.1 Tolerances of ball bearings for the unit	6
3.2 Tolerances of housings	9
4. Basic Load Rating and Life	13
4.1 Bearing life	13
4.2 Basic rated life and basic dynamic load rating	13
4.3 Machine applications and requisite life	15
4.4 Adjusted life rating factor	15
4.5 Basic static load rating	16
4.6 Allowable static equivalent load	16
5. Loads	17
5.1 Load acting on the bearing	17
5.2 Equivalent dynamic radial load	18
5.3 Equivalent static radial load	19
6. Bearing Internal Clearance	20
6.1 Bearing internal clearance	20
6.2 Internal clearance selection	20
6.3 Bearing internal clearance selection standards	21
7. Lubrication	23
7.1 Maximum permissible speed of rotation	23
7.2 Replenishment of grease	24
7.3 Grease fitting	25
7.4 Standard location of the grease fitting	26
8. Shaft Designs	27
8.1 Set screw system bearing units	27
8.2 Eccentric collar system	35
8.3 Adapter system bearing units	35
9. Handling of the Bearing Unit	36
9.1 Mounting of the housing	36
9.2 Mounting the bearing unit on the shaft	38
9.3 Running tests	43
9.4 Inspection during operation	43
9.5 Dismounting the bearing unit	43
9.6 Replacement of the bearing	43

1. Construction

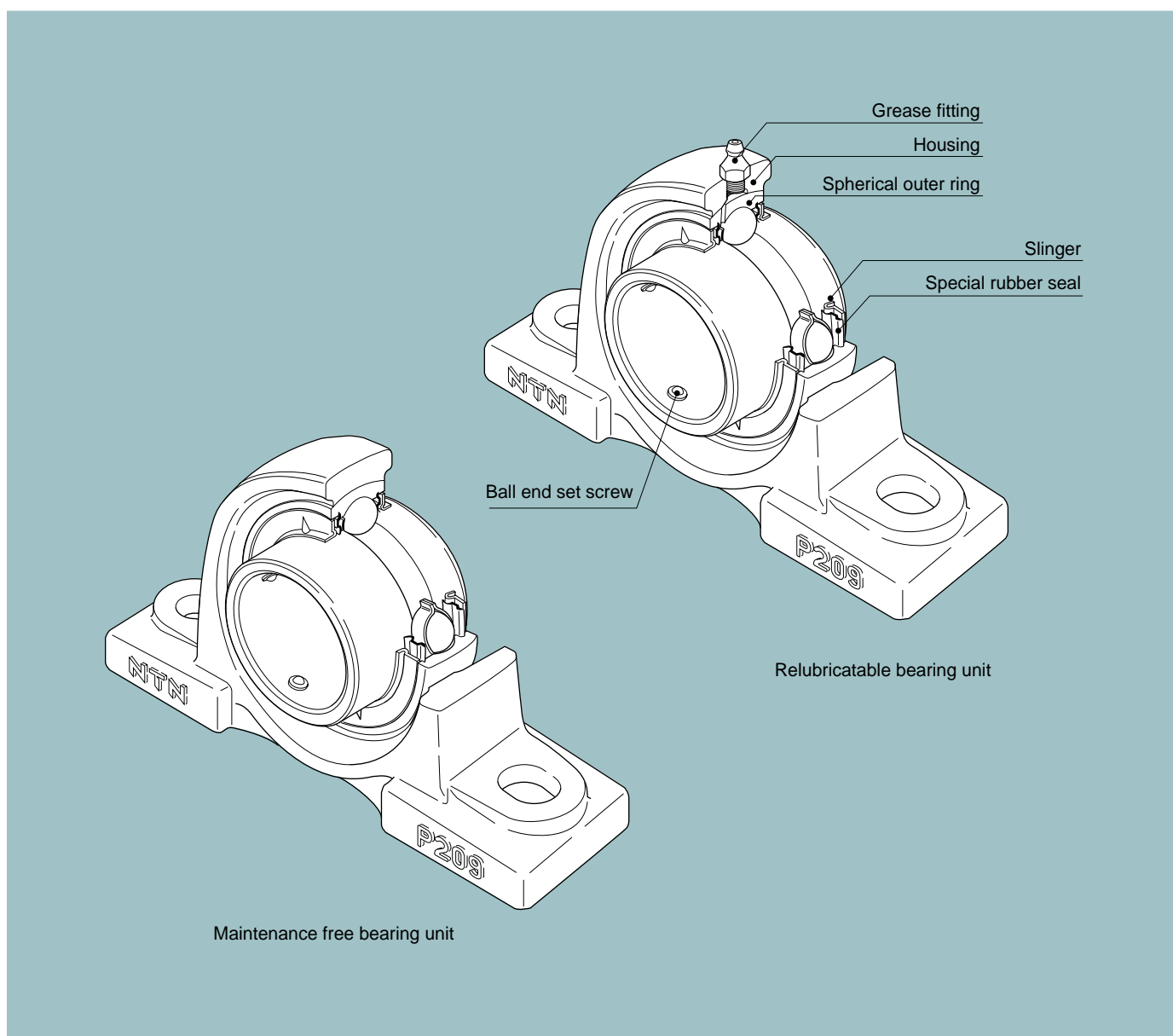
The NTN bearing unit is a combination of a radial ball bearing, seal, and a housing of high-grade cast iron or pressed steel, which comes in various shapes.

The outer surface of the bearing and the internal surface of the housing are spherical, so that the unit is self-aligning.

The inside construction of the ball bearing for the unit is such that steel balls and retainers of the same type as in series 62 and 63 of the NTN deep groove ball bearing are used. A duplex seal consisting of a combination of an oil-proof synthetic rubber seal and a slinger, unique to NTN, is provided on both sides.

Depending on the type, the following methods of fitting to the shaft are employed:

- (1) The inner ring is fastened onto the shaft in two places by set screws.
- (2) The inner ring has a tapered bore and is fitted to the shaft by means of an adapter.
- (3) In the eccentric locking collar system the inner ring is fastened to the shaft by means of eccentric grooves provided at the side of the inner ring and on the collar.



2. Design Features and Advantages

2.1 Maintenance free type

The NTN Maintenance free bearing unit contains a high-grade lithium-based grease, good for use over a long period, which is ideally suited to sealed-type bearings. Also provided is an excellent sealing device, unique to NTN, which prevents any leakage of grease or penetration of dust and water from outside.

It is designed so that the rotation of the shaft causes the sealed-in grease to circulate through the inside space, effectively providing maximum lubrication. The lubrication effect is maintained over a long period with no need for replenishment of grease.

To summarize the advantages of the NTN maintenance free bearing unit:

- (1) As an adequate amount of good quality grease is sealed in at the time of manufacture, there is no need for replenishment. This means savings in terms of time and maintenance costs.
- (2) Since there is no need for any regreasing facilities, such as piping, a more compact design is possible.
- (3) The sealed-in design eliminates the possibility of grease leakage, which could lead to stained products.

2.2 Relubricatable type

The NTN relubricatable type bearing unit has an advantage over other similar units being so designed as to permit regreasing even in the case of misalignment of 2° to the right or left. The hole through which the grease fitting is mounted usually causes structural weakening of the housing.

However, as a result of extensive testing, in the NTN bearing unit the hole is positioned so as to minimize this adverse effect. In addition, the regreasing groove has been designed to minimize weakening of the housing.

While the NTN maintenance free type bearing unit is satisfactory for use under normal operating conditions indoors, in the following circumstances it is necessary to use the relubricatable type bearing unit:

- (1) Cases where the temperature of the bearing rises above 100°C, 212°F:
*- Normal temperature of up to 200°C, 392°F heatresistant bearing units.
- (2) Cases where there is excessive dust, but space does not permit using a bearing unit with a cover.
- (3) Cases where the bearing unit is constantly exposed to splashes of water or any other liquid, but space does not permit using a bearing unit with a cover.
- (4) Cases in which the humidity is very high, and the machine in which the bearing unit is used is run only intermittently.
- (5) Cases involving a heavy load of which the C_r/P_r value is about 10 or below, and the speed is 10 rpm or below, or the movement is oscillatory.

- (6) Cases where the number of revolutions is relatively high and the noise problem has to be considered; for example, when the bearing is used with the fan of an air conditioner.

2.3 Special sealing feature

2.3.1 Standard bearing units

The sealing device of the ball bearing for the NTN bearing unit is a combination of a heat-resistant and oil-proof synthetic rubber seal and a slinger of an exclusive NTN design.

The seal, which is fixed in the outer ring, is steelreinforced, and its lip, in contact with the inner ring, is designed to minimize frictional torque.

The slinger is fixed to the inner ring of the bearing with which it rotates. There is a small clearance between its periphery and the outer ring.

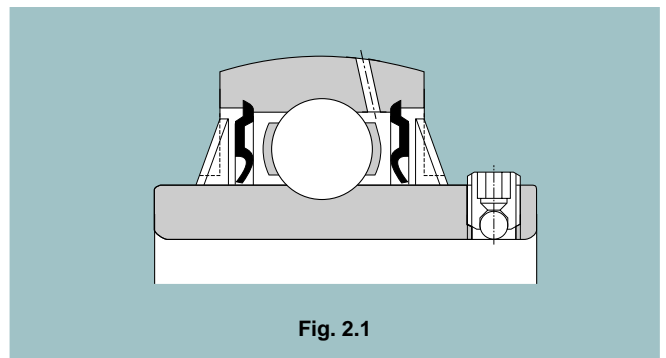
There are triangular protrusions on the outside face of the slinger and, as the bearing rotates, these protrusions on the slinger create a flow of air outward from the bearing. In this way, the slinger acts as a fan which keeps dust and water away from the bearing.

These two types of seals on both sides of the bearing prevent grease leakage, and foreign matter is prevented from entering the bearing from outside.

2.3.2 Bearing units with covers

The NTN bearing unit with a cover consists of a standard bearing unit and an outside covering for extra protection against dust. Special consideration has been given to its design with respect to dust-proofing.

Sealing devices are provided in both the bearing and the housing, so that units of this type operate satisfactorily even in such adverse environments as flour mills, steel mills, foundries, galvanizing plants and chemical plants, where excessive dust is produced and/or liquids are used. They are also eminently suitable for outdoor environments where dust and rain are inevitable, and in heavy industrial machinery such as construction and transportation equipment.



The rubber seal of the cover contacts with the shaft by its two lips, as shown in Fig. 2.2 and 2.3. By filling the groove between the two lips with grease, an excellent sealing effect is obtained and, at the same time, the contacting portions of the lips are lubricated. Furthermore, the groove is so designed that when the shaft is inclined the rubber seal can move in the radial direction.

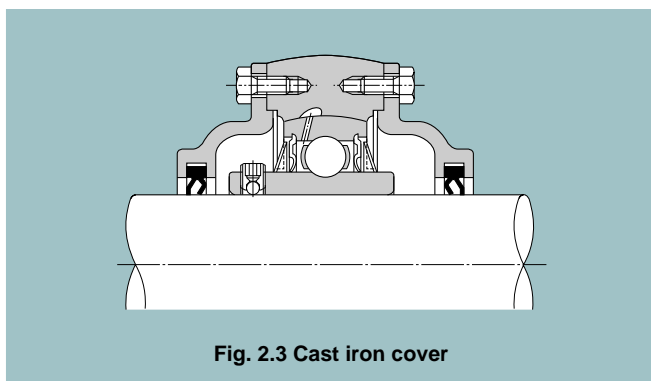
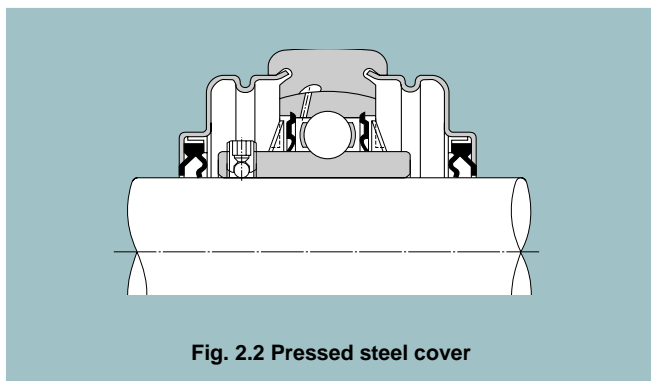
When bearing units are exposed to splashes of water rather than to dust, a drain hole (5 to 8 mm, 0.2 to 0.3 inches in diameter) is provided at the bottom of the cover, and grease should be applied to the side of the bearing itself instead of into the cover.

2.4 Secure fitting

Fastening the bearing to the shaft is effected by tightening the ball-end set screw, situated on the inner ring. This is a unique NTN feature which prevents loosening, even if the bearing is subjected to intense vibrations and shocks.

2.5 Self-aligning

With the NTN bearing unit, the outer surface of the ball bearing and the inner surface of the housing are spherical, thus this bearing unit has self-aligning characteristic. Any misalignment of axis that may arise from poor workmanship on the shaft or errors in fitting will be properly adjusted.



2.6 Higher rated load capacity

The bearing used in the unit is of the same internal construction as those in NTN bearing series 62 and 63, and is capable of accommodating axial load as well as radial load, or composite load. The rated load capacity of this bearing is considerably higher than that of the corresponding self-aligning ball bearings used for standard plummer blocks.

2.7 Light weight yet strong housing

Housings for NTN bearing units come in various shapes. They consist of either high-grade cast iron, one-piece casting, or of precision finished pressed steel, the latter being lighter in weight. In either case, they are practically designed to combine lightness with maximum strength.

2.8 Easy mounting

The NTN bearing unit is an integrated unit consisting of a bearing and a housing.

As the bearing is prelubricated at manufacture with the correct amount of high-grade lithium base, it can be mounted on the shaft just as it is. It is sufficient to carry out a short test run after mounting.

2.9 Accurate fitting of the housing

In order to simplify the fitting of the pillow block and flange type bearing units, the housings are provided with a seat for a dowel pin, which may be utilized as needed.

2.10 Bearing replaceability

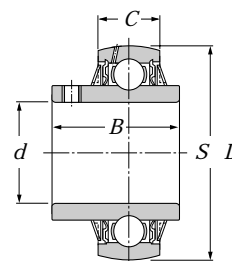
The bearing used in the NTN bearing unit is replaceable. In the event of bearing failure, a new bearing can be fitted to the existing housing.

3. Tolerance

The tolerances of the NTN bearing units are in accordance with the following JIS specifications :

3.1 Tolerances of ball bearings for the unit

The tolerances of ball bearings used in the unit are shown in the following tables, 3.1 to 3.4.



Set screw type

Table 3.1 (1) Cylindrical bore (UC, UCS, AS, ASS, UEL, UELS, AEL, AELS)

Unit: $\mu\text{m}/0.0001$ inch

Nominal bore diameter d				Cylindrical bore					Radial runout K_{ia} (reference) (max)
over		incl.		Δd_{mp} Deviations		V_{dp} Variations	$\Delta B_s, \Delta C_s$ Deviations (reference)		
mm	inch	mm	inch	high	low	max.	high	low	
10	0.3937	18	0.7087	+15 + 6	0 0	10 4	0 0	-120 - 47	15 6
18	0.7087	31.750	1.2500	+18 + 7	0 0	12 5	0 0	-120 - 47	18 7
31.750	1.2500	50.800	2.0000	+21 + 8	0 0	14 6	0 0	-120 - 47	20 8
50.800	2.0000	80	3.1496	+24 + 9	0 0	16 6	0 0	-150 - 59	25 10
80	3.1496	120	4.7244	+28 +11	0 0	19 7	0 0	-200 - 79	30 12
120	4.7244	180	7.0866	+33 +13	0 0	22 9	0 0	-250 - 98	35 14

Note: Symbols

Δd_{mp} : Mean bore diameter deviation V_{dp} : Bore diameter variation

ΔB_s : Inner ring width deviation

ΔC_s : Outer ring width deviation

Table 3.1 (2) Cylindrical bore (UR, AR, JEL, REL)

Unit: $\mu\text{m}/0.0001$ inch

Nominal bore diameter d				Cylindrical bore diameter		
over		incl.		Δd_{mp} Deviations		V_{dp} Variations
mm	inch	mm	inch	high	low	max.
10	0.3937	18	0.7087	+13 + 5	0 0	6 2
18	0.7087	31.750	1.2500	+13 + 5	0 0	6 2
31.750	1.2500	50.800	2.0000	+13 + 5	0 0	6 2
50.800	2.0000	80	3.1496	+15 + 6	0 0	8 3

Table 3.1 (3) Cylindrical bore (CS)

Unit: $\mu\text{m}/0.0001\text{ inch}$

Nominal bore diameter d				Cylindrical bore					Radial runout K_{ia} (reference)
over		incl.		Bore diameter			Width		
mm	inch	mm	inch	Δd_{mp} Deviations		V_{dp} Variations	$\Delta B_s, \Delta C_s$ Deviations (reference)		
				high	low	max.	high	low	max.
10	0.3937	18	0.7087	0 0	- 8 - 3	10 4	0 0	- 120 - 47	15 6
18	0.7087	31.75	1.2500	0 0	- 10 - 4	12 5	0 0	- 120 - 47	18 7
31.75	1.2500	50.8	2.0000	0 0	- 12 - 5	14 6	0 0	- 120 - 47	20 8

Table 3.2 Tapered bore (UK, UKS)

Unit: $\mu\text{m}/0.0001\text{ inch}$

Nominal bore diameter d				Δd_{mp} Deviations		$\Delta d_{mp} - \Delta d_{mp}$		$V_{dp}^{1)}$
over		incl.		high	low	max.	min.	max.
mm	inch	mm	inch					
18	0.7087	30	1.1811	+ 21 + 8	0 0	+ 21 + 8	0 0	13 5
30	1.1811	50	1.9685	+ 25 + 10	0 0	+ 25 + 10	0 0	15 6
50	1.9685	80	3.1496	+ 30 + 12	0 0	+ 30 + 12	0 0	19 7
80	3.1496	120	4.7244	+ 35 + 14	0 0	+ 35 + 14	0 0	25 10
120	4.7244	180	7.0866	+ 40 + 16	0 0	+ 40 + 16	0 0	31 12

1) To be applied for all radial flat surfaces of tapered hole.

Note: 1. To be applied for tapered holes of 1/12.

2. Symbols of quantity or values

d_t : Basic diameter at the theoretical large end of the tapered hole

$$d_t = d + \frac{1}{12} B$$

Δd_{mp} : Dimensional difference of the average bore diameter within the flat surface at the theoretical small-end of the tapered hole

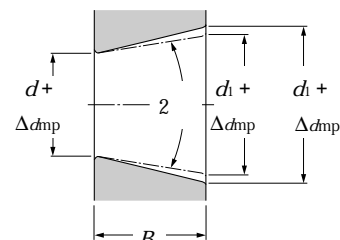
Δd_{mp} : Dimensional difference of the average bore diameter within the flat surface at the theoretical large-end of the tapered hole

V_{dp} : Inequality of the bore diameter within the flat surface

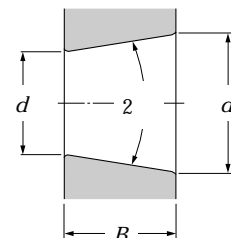
B : Nominal width of inner ring

α : Half of the nominal tapered angle of the tapered hole

$$\begin{aligned} &= 2^\circ 23' 9.4'' \\ &= 2.38594^\circ \\ &= 0.041643\text{rad} \end{aligned}$$



Tapered hole having dimensional difference of the average bore diameter within the flat surface



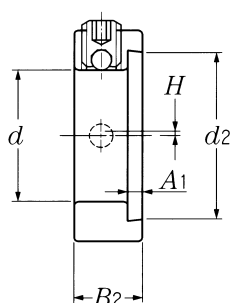
Theoretical tapered hole

Table 3.3 Outer ring

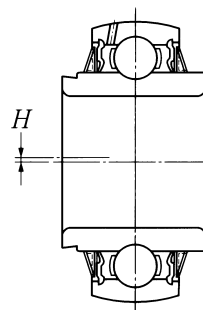
Unit: $\mu\text{m}/0.0001\text{ inch}$

Nominal outside diameter D				Mean outside diameter deviation ΔD_m		Radial runout K_{ea} (reference)
over		incl.		high	low	max.
mm	inch	mm	inch			
18	0.7087	30	1.1811	0 0	- 9 - 4	15 6
30	1.1811	50	1.9685	0 0	- 11 - 4	20 8
50	1.9685	80	3.1496	0 0	- 13 - 5	25 10
80	3.1496	120	4.7244	0 0	- 15 - 6	35 14
120	4.7244	150	5.9055	0 0	- 18 - 7	40 16
150	5.9055	180	7.0866	0 0	- 25 - 10	45 18
180	7.0866	250	9.8425	0 0	- 30 - 12	50 20
250	9.8425	315	12.4016	0 0	- 35 - 14	60 24

Note: 1) The low deviation of outside diameter D_m does not apply within the distance of 1/4 the width of the outer ring from the side.



Eccentric locking collar



Eccentric locking collar type

Table 3.4 Eccentric locking collar

Unit: mm/inch

Nominal bore diameter d				Bore diameter deviation Δd_s		Small bore diameter of eccentric surface deviation Δd_{2s}		Eccentricity deviation ΔH_s		Collar width deviation ΔB_{2s}		Collar eccentric surface width deviation ΔA_{1s}	
over		incl.		high	low	high	low	high	low	high	low	high	low
mm	inch	mm	inch										
10	0.3937	36.512	1.4375	+ 0.250 + 0.010	+ 0.025 + 0.001	+ 0.3 + 0.012	0 0	+ 0.1 + 0.004	- 0.1 - 0.004	+ 0.270 + 0.011	- 0.270 - 0.011	0 0	- 0.180 - 0.007
36.512	1.4375	55.562	2.1875	+ 0.300 + 0.012	+ 0.025 + 0.001	+ 0.4 + 0.016	0 0	+ 0.1 + 0.004	- 0.1 - 0.004	+ 0.330 + 0.013	- 0.330 - 0.013	0 0	- 0.180 - 0.007
55.562	2.1875	61.912	2.4375	+ 0.300 + 0.012	+ 0.025 + 0.001	+ 0.4 + 0.016	0 0	+ 0.1 + 0.004	- 0.1 - 0.004	+ 0.330 + 0.013	- 0.330 - 0.013	0 0	- 0.220 - 0.009

3.2 Tolerances of housings

Table 3.5 Spherical bore diameter of housings

Unit: $\mu\text{m}/0.0001\text{ inch}$

Nominal spherical bore diameter D_a				D_a Deviations ΔD_{am}			
over		incl.		Tolerance class H7		Tolerance class J7	
mm	inch	mm	inch	high	low	high	low
30	1.1811	50	1.9685	+25 +10	0	+14 +6	-11 -4
50	1.9685	80	3.1496	+30 +12	0	+18 +7	-12 -5
80	3.1496	120	4.7244	+35 +14	0	+22 +9	-13 -5
120	4.7244	180	7.0866	+40 +16	0	+26 +10	-14 -6
180	7.0866	250	9.8425	+46 +18	0	+30 +12	-16 -6
250	9.8425	315	12.4016	+52 +20	0	+36 +14	-16 -6

Note: 1) Symbols

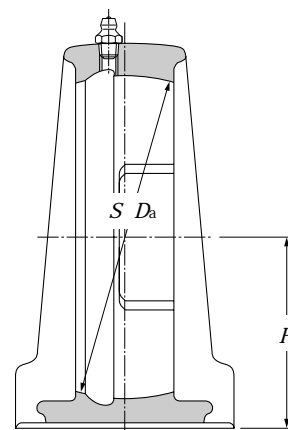
ΔD_{am} : Mean spherical bore diameter deviation

2) Dimensional tolerances for spherical bore diameter of housing are classified as H7 for clearance fit, and J7 for intermediate fit.

Table 3.6 Pillow block housings (P, HP, UP, PL)

Unit: mm/inch

Housing numbers						H Deviations ΔH_s
P203						± 0.15 ± 0.006
P204			HP204	UP204	PL204	
P205	P305	PX05	HP205	UP205	PL205	
P206	P306	PX06	HP206	UP206	PL206	
P207	P307	PX07	HP207	UP207	PL207	
P208	P308	PX08	HP208	UP208		
P209	P309	PX09	HP209	UP209	PL209	
P210	P310	PX10	HP210	UP210	PL210	
P211	P311	PX11				
P212	P312	PX12				
P213	P313	PX13				± 0.2 ± 0.008
P214	P314	PX14				
P215	P315	PX15				
P216	P316	PX16				
P217	P317	PX17				
P218	P318	PX18				
	P319					
	P320	PX20				
	P321					
	P322					
	P324					± 0.3 ± 0.012
	P326					
	P328					



Note: 1) H is height of the shaft center line.

2) This table can be applied for bearing units with dust covers.

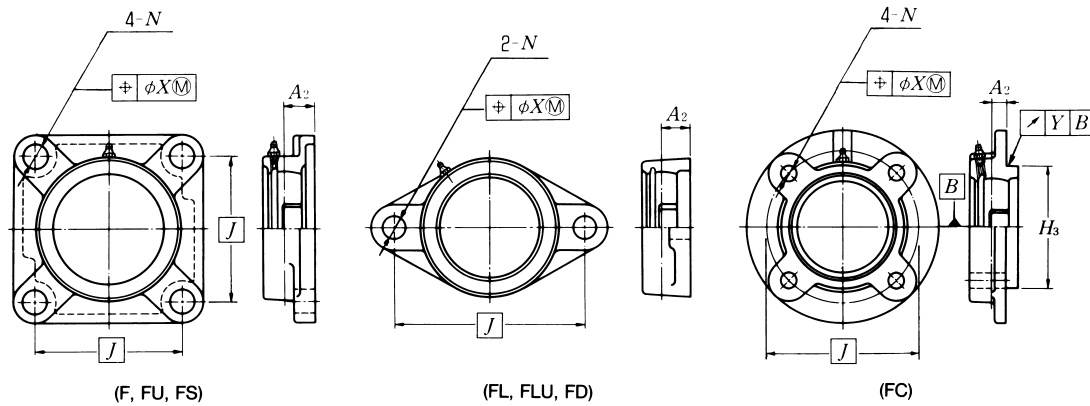


Table 3.7 (1) Flange unit housings (F, FU, FC, FS, FL, FLU, FD)

Unit: mm/inch

Housing numbers	location tolerance of bolt hole	A ₂ Deviations ΔA _{2s}	H ₃ Deviations						Radial runout of spigot joint Δ _{fs} (max.)
			FC2		FS3		FCX		
			high	low	high	low	high	low	
F204 FC204 FL204 FD201 FD204	0.7 0.028	± 0.5 ± 0.020	0	-0.046	0	-0.046	0	-0.046	0.2 0.008
F205 F305 FX05 FC205 FS305 FL205 FL305 FD205			0	-0.0018	0	-0.0018	0	-0.0018	
F206 F306 FX06 FC206 FS306 FL206 FL306 FD206			0	-0.054	0	-0.054	0	-0.054	
F207 F307 FX07 FC207 FS307 FL207 FL307 FD207			0	-0.0021	0	-0.0021	0	-0.0021	
F208 F308 FX08 FC208 FS308 FL208 FL308			0	-0.054	0	-0.054	0	-0.0021	
F209 F309 FX09 FC209 FS309 FL209 FL309			0	-0.0021	0	-0.0021	0	-0.0021	
F210 F310 FX10 FC210 FS310 FL210 FL310			0	-0.063	0	-0.063	0	-0.0025	
F211 F311 FX11 FC211 FS311 FL211 FL311			0	-0.0025	0	-0.0025	0	-0.0025	
F212 F312 FX12 FC212 FS312 FL212 FL312			0	-0.063	0	-0.063	0	-0.0025	
F213 F313 FX13 FC213 FS313 FL213 FL313			0	-0.0025	0	-0.0025	0	-0.0025	
F214 F314 FX14 FC214 FS314 FL214 FL314	1 0.039	± 0.8 ± 0.032	0	-0.072	0	-0.072	0	-0.072	0.3 0.012
F215 F315 FX15 FC215 FS315 FL215 FL315			0	-0.0028	0	-0.0028	0	-0.0028	
F216 F316 FX16 FC216 FS316 FL216 FL316			0	-0.072	0	-0.072	0	-0.0028	
F217 F317 FX17 FC217 FS317 FL217 FL317			0	-0.0028	0	-0.0028	0	-0.0028	
F218 F318 FX18 FC218 FS318 FL218 FL318			0	-0.072	0	-0.072	0	-0.0028	
F319 FS319 FL319			0	-0.0028	0	-0.0028	0	-0.0028	
F320 FX20 FS320 FL320			0	-0.081	0	-0.081	0	-0.0032	
F321 FS321 FL321			0	-0.0032	0	-0.0032	0	-0.0032	
F322 FS322 FL322			0	-0.089	0	-0.089	0	-0.0035	
F324 FS324 FL324			0	-0.0035	0	-0.0035	0	-0.0035	
F326 FS326 FL326	0	-0.0035	0	-0.0035	0	-0.0035			
F328 FS328 FL328	0	-0.0035	0	-0.0035	0	-0.0035			

- Note: 1) *J* is the bolt hole's center line dimension, and P.C.D. *A₂* is distance between the center line of spherical bore diameter of the housing and mounting surfaces, and *H₃* is outside diameter of the spigot joint.
 2) Radial runout of spigot joint is applied for flange units with spigot joints.
 3) For FU2 and FLU2 types, tolerances for F2 shall be applied.
 4) For FCX and FLX types, tolerances for FX shall be applied.
 5) This table can be applied for bearing units with dust covers.

Table 3.7 (2) Flange unit housings (diameter of bolt hole)

Unit: mm/inch

Housing type	Nominal bore diameter <i>N</i>				<i>N</i> Deviations Δ _{Ns}	
	over		incl.		mm	inch
	mm	inch	mm	inch		
F, FL, FC, FS, FA, FH, FU, FLU	-	-	30	1.1811	± 0.2	± 0.008
	30	1.1811	40	1.614	± 0.3	± 0.012

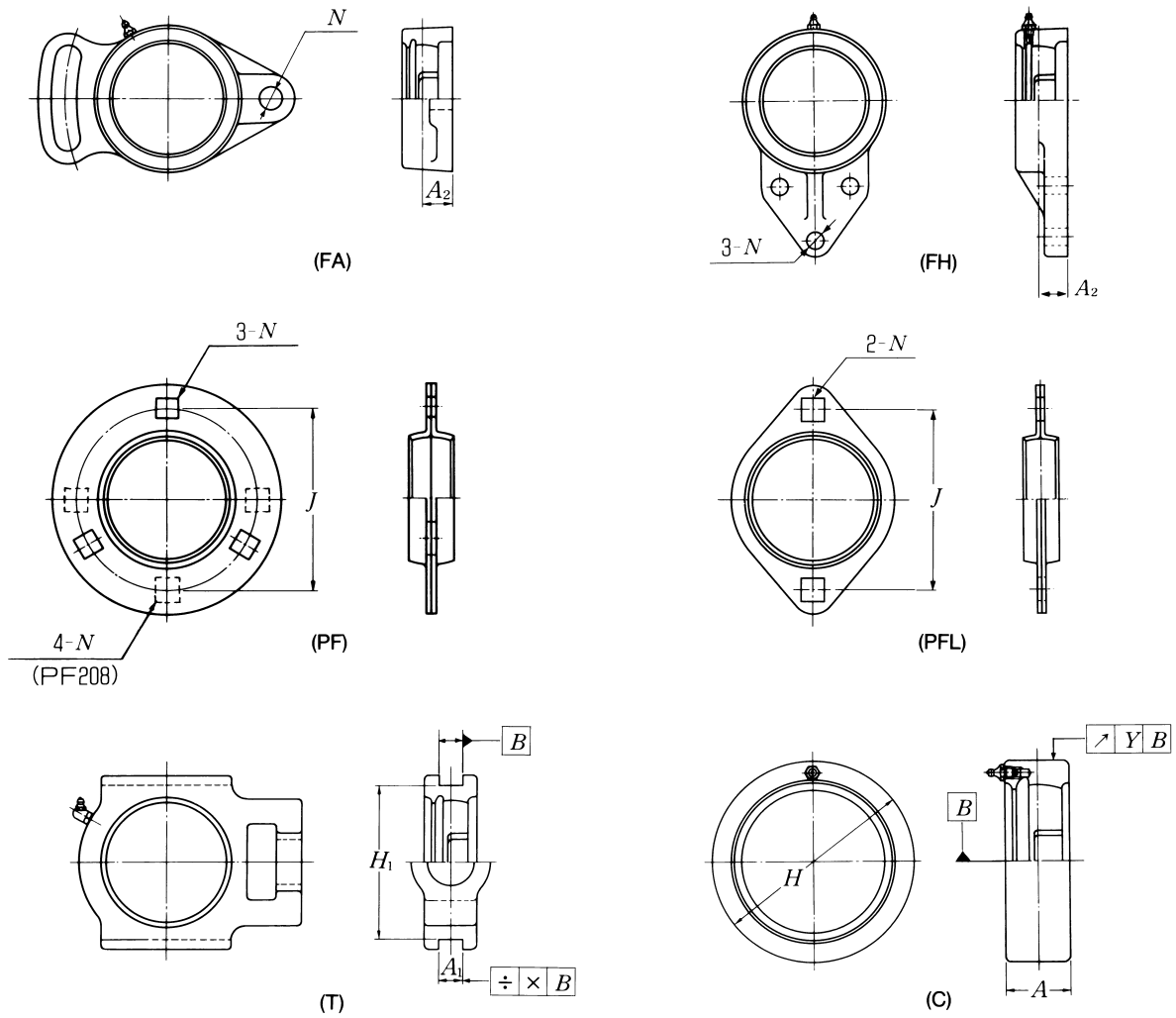


Table 3.8 Flange unit housings (FH, FA, PF, PFL)

Unit: mm/inch

Housing numbers	A_2 Deviations ΔA_{2s}	Housing numbers	J Deviations ΔJ_s	N Deviations ΔN_s
FA204 FA205 FA206 FA207 FA208 FA209 FA210	± 0.5 ± 0.020	PF203 PF204 PF205 PF206 PF207 PF208	± 0.4 ± 0.016	± 0.25 ± 0.010
FA211	± 0.8 ± 0.032	PFL203 PFL204 PFL205 PFL206 PFL207		

Note: 1) A_2 is distance between the center line of spherical bore diameter of housings.
2) J is the bolt hole's center line dimension.

Table 3.9 Take-up unit housings (T) Unit: mm/inch

Housing numbers	A_1 Deviations ΔA_{1s}	H_1 Deviations ΔH_{1s}		Parallelism of guide
		high	low	
T204				
T205 T305 TX05	+0.2			
T206 T306 TX06	0	0	-0.5	0.5
T207 T307 TX07	+0.008	0	-0.020	0.020
T208 T308 TX08	0			
T209 T309 TX09				
T210 T310 TX10				
T211 T311 TX11				
T212 T312 TX12				
T213 T313 TX13				0.6
T214 T314 TX14				0.024
T215 T315 TX15				
T216 T316 TX16	+0.3			
T217 T317 TX17	0	0	-0.8	
T318		0	-0.032	
T319	+0.012	0		0.7
T320	0			0.028
T321				
T322				
T324				0.8
T326				0.032
T328				

- Note: 1) A_1 is the width of guide rail grooves.
 2) H_1 is the maximum span of guide rail grooves.
 3) This table can be applied for bearing units with dust covers.

Table 3.10 Cartridge unit housings (C) Unit: mm/inch

Housing numbers	H Deviations ΔH_s						Radial runout of outside surface	A Devia- tions ΔA_s
	C2		C3		CX			
	high	low	high	low	high	low		
C204	0	-0.030						
C205 C305 CX05	0	-0.0012						
C206 C306 CX06			0	-0.035	0	-0.035	0.2	± 0.2
C207 C307 CX07			0	-0.0014	0	-0.0014	0.008	± 0.008
C208 C308 CX08	0	-0.035						
C209 C309 CX09	0	-0.0014						
C210 C310 CX10					0	-0.040		
C211 C311 CX11	0	-0.040	0	-0.040	0	-0.0016		
C212 C312 CX12	0	-0.0016	0	-0.0016				
C213							0.3	
C314							0.012	
C315								
C316			0	-0.046				
C317			0	-0.0018				
C318								
C319								
C320								
C321			0	-0.052				
C322			0	-0.0020			0.4	
C324							0.016	
C326			0	-0.057				
C328			0	-0.0022				± 0.3 ± 0.012

- Note: 1) H is the outside diameter of cartridge housings.
 2) A is width of cartridge housings.

4. Basic Load Rating and Life

4.1 Bearing life

Even in bearings operating under normal conditions, the surfaces of the raceway and rolling elements are constantly being subjected to repeated compressive stresses which cause flaking of these surfaces to occur. This flaking is due to material fatigue and will eventually cause the bearings to fail. The effective life of a bearing is usually defined in terms of the total number of revolutions a bearing can undergo before flaking of either the raceway surface or the rolling element surfaces occurs.

Other causes of bearing failure are often attributed to problems such as seizing, abrasions, cracking, chipping, gnawing, rust, etc. However, these so called "causes" of bearing failure are usually themselves caused by improper installation, insufficient or improper lubrication, faulty sealing or inaccurate bearing selection. Since the above mentioned "causes" of bearing failure can be avoided by taking the proper precautions, and are not simply caused by material fatigue, they are considered separately from the flaking aspect.

4.2 Basic rated life and basic dynamic load rating

A group of seemingly identical bearings when subjected to identical load and operating conditions will exhibit a wide diversity in their durability.

This "life" disparity can be accounted for by the difference in the fatigue of the bearing material itself. This disparity is considered statistically when calculating bearing life, and the basic rated life is defined as follows.

The basic rated life is based on a 90% statistical model which is expressed as the total number of revolutions 90% of the bearings, in an identical group of bearings subjected to identical operating conditions, will attain or surpass before flaking due to material fatigue occurs. For bearings operating at fixed constant speeds, the basic rated life (90% reliability) is expressed in the total number of hours of operation.

The basic dynamic load rating is an expression of the load capacity of a bearing based on a constant load which the bearing can sustain for one million revolutions (the basic life rating). For radial bearings this rating applies to pure radial loads, and for thrust bearings it refers to pure axial loads. The basic dynamic load ratings given in the bearing tables of this catalog are for bearings constructed of NTN standard bearing materials, using standard manufacturing techniques. Please consult NTN for basic load ratings of bearings constructed of special materials or using special manufacturing techniques.

The relationship between the basic rated life, the basic dynamic load rating and the bearing load is given in formula (4.1).

$$L_{10} = \left(\frac{C_r}{P_r} \right)^3 \dots\dots\dots (4.1)$$

where,

- L_{10} : Basic rated life 10^6 revolutions
- C_r : Basic dynamic rated load, N, lbf
- P_r : Equivalent dynamic load, N, lbf

The basic rated life can also be expressed in terms of hours of operation (revolution), and is calculated as shown in formula (4.2).

$$L_{10h} = 500 f_n^3 \dots\dots\dots (4.2)$$

$$f_n = f_n \frac{C_r}{P_r} \dots\dots\dots (4.3)$$

$$f_n = \left(\frac{33.3}{n} \right)^{1/3} \dots\dots\dots (4.4)$$

where,

- L_{10h} : Basic rated life, h
- f_n : Life factor
- f_n : Speed factor
- n : Rotational speed, r/min

Formula (4.2) can also be expressed as shown in formula (4.5).

$$L_{10h} = \frac{10^6}{60n} \left(\frac{C_r}{P_r} \right)^3 \dots\dots\dots (4.5)$$

The relation between rotational speed n and speed factor f_n as well as the relation between the basic rated life L_{10h} and the life factor f_n is shown in Fig. 4.1.

When several bearings are incorporated in machines or equipment as complete units, all the bearings in the unit are considered as a whole when computing bearing life (see formula 4.6). The total bearing life of the unit is a life rating based on the viable lifetime of the unit before even one of the bearings fails due to rolling contact fatigue.

$$L = \frac{1}{\left(\frac{1}{L_1^{1.1}} + \frac{1}{L_2^{1.1}} + \dots\dots\dots + \frac{1}{L_n^{1.1}} \right)^{1/1.1}} \dots\dots\dots (4.6)$$

where,

L : Total life of the whole bearing assembly h

$L_1, L_2 \dots L_n$: Rated life of bearings 1, 2, ... n , h

In the case where load and the number of revolutions change at regulated intervals, after finding the rated life L_1, L_2, \dots, L_n under conditions of $n_1, p_1 : n_2, p_2 : \dots : n_n, p_n$; the built-in life L_m can be given by the formula (4.7).

$$L_1 = \frac{10^6}{60n_1} \left(\frac{C_r}{P_1} \right)^3$$

$$L_2 = \frac{10^6}{60n_2} \left(\frac{C_r}{P_2} \right)^3$$

⋮

$$L_n = \frac{10^6}{60n_n} \left(\frac{C_r}{P_n} \right)^3$$

$$L_m = \left(\frac{1}{L_1} + \frac{2}{L_2} + \dots + \frac{n}{L_n} \right)^{-1} \dots \dots \dots (4.7)$$

where,

L_1, L_2, \dots, L_n : Rated life under condition 1, 2, ... n , h

n_1, n_2, \dots, n_n : Number of revolutions under condition 1, 2, ... n , r/min

P_1, P_2, \dots, P_n : Equivalent load under condition 1, 2, ... n , N, lbf

f_1, f_2, \dots, f_n : Ratio of condition 1, 2, ... n , accounting for the total operating time

L_m : Built-in life, h

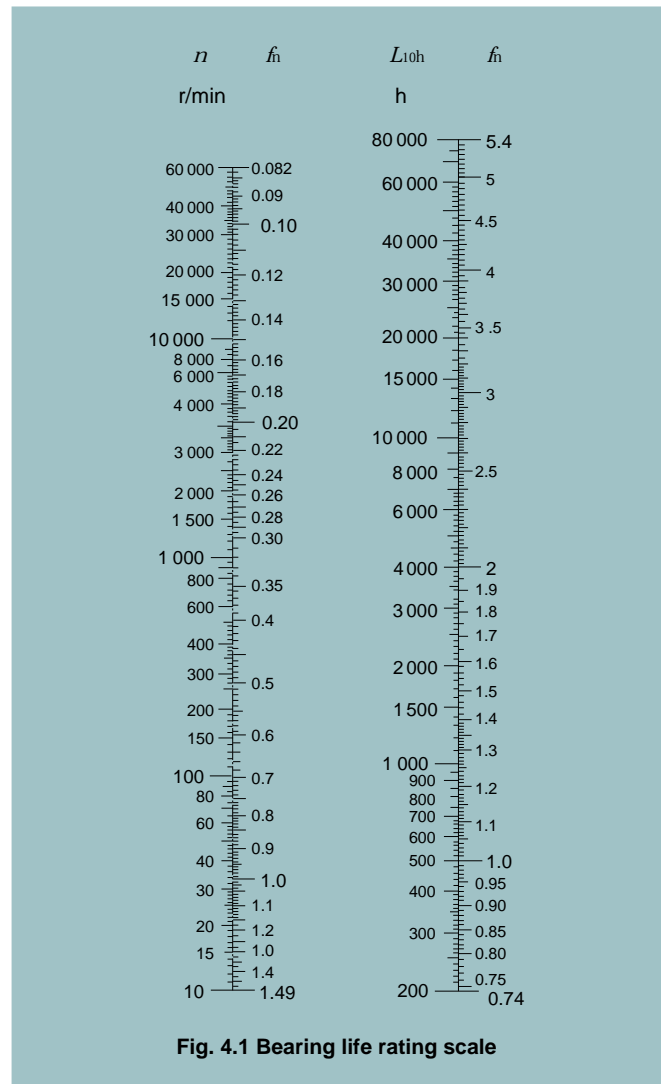


Fig. 4.1 Bearing life rating scale

Table 4.1 Rating life for applications

Service classification	Machine application	Life time L_n
Machines used occasionally	Door mechanisms, Garage shutter	500
Equipment for short period or intermittent service interruption permissible	Household appliances, Electric hand tools, Agricultural machines, Lifting tackles in shops	4 000 ~ 8 000
Intermittent service machines-high reliability	Power-Station auxiliary equipment, Elevators, Conveyors, Deck cranes	8 000 ~ 14 000
Machines used for 8 hours a day, but not always in full operation	Ore wagon axles, Important gear units	14 000 ~ 20 000
Machines fully used for 8 hours	Blowers, General machinery in shops, Continuous operation cranes	20 000 ~ 30 000
Machines continuously used for 24 hours a day	Compressors, Pumps	50 000 ~ 60 000
Machines continuously used for 24 hours a day with maximum reliability	Power-station equipment, Water-supply equipment for urban areas, Mine ventilators	100 000 ~ 200 000

4.3 Machine applications and requisite life

When selecting a bearing, it is essential that the requisite life of the bearing be established in relation to the operating conditions. The requisite life of the bearing is usually determined by the type of machine the bearing is to be used in, and duration of service and operational reliability requirements. A general guide to these requisite life criteria is shown in Table 4.1. When determining bearing size, the fatigue life of the bearing is an important factor; however, besides bearing life, the strength and rigidity of the shaft and housing must also be taken into consideration.

4.4 Adjusted life rating factor

The basic bearing life rating (90% reliability factor) can be calculated through the formulas mentioned earlier in Section 4.2. However, in some applications a bearing life factor of over 90% reliability may be required. To meet these requirements, bearing life can be lengthened by the use of specially improved bearing materials or special construction techniques. Moreover, according to elastohydrodynamic lubrication theory, it is clear that the bearing operating conditions (lubrication, temperature, speed, etc.) all exert an effect on bearing life. All these adjustment factors are taken into consideration when calculating bearing life, and using the life adjustment factor as prescribed in ISO 281, the adjusted bearing life can be arrived at.

$$L_{na} = a_1 a_2 a_3 \left(\frac{C}{P} \right)^3 \dots\dots\dots (4.8)$$

where,

L_{na} : Adjusted life rating in millions of revolutions (10^6) (adjusted for reliability, material and operating conditions)

a_1 : Reliability adjustment factor

a_2 : Material adjustment factor

a_3 : Operating condition adjustment factor

4.4.1 Life adjustment factor for reliability a_1

The values for the reliability adjustment factor a_1 (for a reliability factor higher than 90%) can be found in Table 4.2.

4.4.2 Life adjustment factor for material a_2

The life of a bearing is affected by the material type and quality as well as the manufacturing process. In this regard, the life is adjusted by the use of an a_2 factor.

The basic dynamic load ratings listed in the catalog are based on NTN's standard material and process, therefore, the adjustment factor $a_2 = 1$. When special materials or processes are used the adjustment factor a_2 can be larger than 1.

NTN bearings can generally be used up to 120°C. If bearings are operated at a higher temperature, the bearing must be specially heat treated (stabilized) so that inadmissible dimensional change does not occur due to micro-structure change. This special heat treatment might cause the reduction of bearing life because of a hardness change.

Table 4.2 Reliability adjustment factor values a_1

Reliability %	L_n	Reliability factor a_1
90	L_{10}	1.00
95	L_5	0.62
96	L_4	0.53
97	L_3	0.44
98	L_2	0.33
99	L_1	0.21

4.4.3 Life adjustment factor a_3 for operating conditions

The operating conditions life adjustment factor a_3 is used to adjust for such conditions as lubrication, operating temperature, and other operation factors which have an effect on bearing life.

Generally speaking, when lubricating conditions are satisfactory, the a_3 factor has a value of one; and when lubricating conditions are exceptionally favorable, and all other operating conditions are normal, a_3 can have a value greater than one.

However, when lubricating conditions are particularly unfavorable and the oil film formation on the contact surfaces of the raceway and rolling elements is insufficient, the value of a_3 becomes less than one. This insufficient oil film formation can be caused, for example, by the lubricating oil viscosity being too low for the operating temperature (below 13 mm²/s for ball bearings); or by exceptionally low rotational speed (n r/min X d_p mm less than 10000). For bearings used under special operating conditions, please consult NTN.

As the operating temperature of the bearing increases, the hardness of the bearing material decreases. Thus, the bearing life correspondingly decreases. The operating temperature adjustment values are shown in Fig. 4.2.

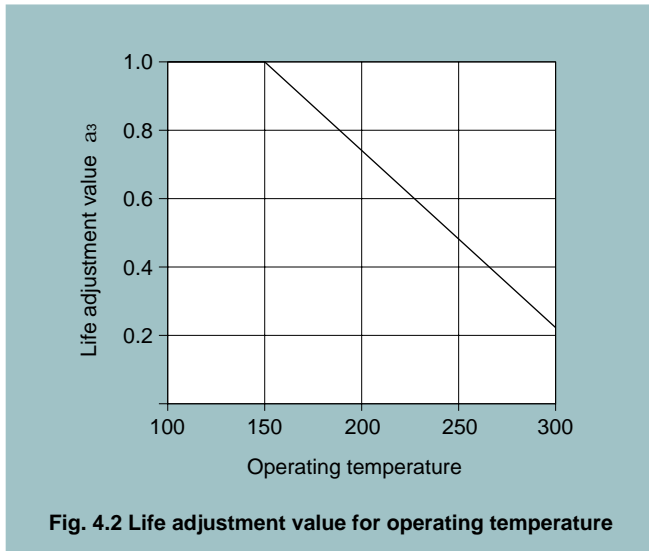


Fig. 4.2 Life adjustment value for operating temperature

4.5 Basic static load rating

When stationary rolling bearings are subjected to static loads, they suffer from partial permanent deformation of the contact surfaces at the contact point between the rolling elements and the raceway. The amount of deformity increases as the load increases, and if this increase in load exceeds certain limits, the subsequent smooth operation of the bearing is impaired.

It has been found through experience that a permanent deformity of 0.0001 times the diameter of the rolling element, occurring at the most heavily stressed contact point between the raceway and the rolling elements, can be tolerated without any impairment in running efficiency.

The basic rated static load refers to a fixed static load limit at which a specified amount of permanent deformation occurs. It applies to pure radial loads for radial bearings. The maximum applied load values for contact stress occurring at the rolling element and raceway contact points are given below.

For ball bearings (for bearing unit) : 4200 Mpa.

4.6 Allowable static equivalent load

Generally the static equivalent load which can be permitted (see section 5.3) is limited by the basic static rated load as stated in Section 4.5. However, depending on requirements regarding friction and smooth operation, these limits may be greater or lesser than the basic static rated load.

In the following formula (4.9) and Table 4.4 the safety factor S_0 can be determined considering the maximum static equivalent load.

$$S_0 = \frac{C_0}{P_{0max}} \dots\dots\dots (4.9)$$

where,

S_0 : Safety factor

C_0 : Basic static rated load, N, lbf

P_{0max} : Maximum static equivalent load, N, lbf

Table 4.4 Minimum safety factor values S_0

Operating conditions	Ball bearings
High rotational accuracy demand	2
Normal rotating accuracy demand (Universal application)	1
Slight rotational accuracy deterioration permitted (Low speed, heavy loading, etc.)	0.5

Note :1) When vibration and/or shock loads are present, a load factor based on the shock load needs to be included in the P_{0max} value.

5. Loads

5.1 Load acting on the bearing

It is very rare that the load on a bearing can be obtained by a simple calculation. Loads applied to the bearing generally include the weight of the rotating element itself, the load produced by the working of the machine, and the load resulting from transmission of power by the belt and gearwheel. Such loads include the radial load, which works on the bearing at right angles to its axis, and the thrust load, which works on the bearing parallel to its axis. These can work either singly or in combination. In addition, the operation of a machine inevitably produces a varying degree of vibrations and shocks. To take this into account, the theoretical value of a load is multiplied by a safety factor that has been derived from past experience. This is known as the "load factor".

$$\text{Load acting on the bearing} = \text{Load factor } f_w \times \text{Calculated load}$$

Table 5.1 below shows the generally accepted load factors f_w which correspond to the degree of shock to which the machine is subjected.

5.1.1 Load applied to the bearing by power transmission

The force working on the shaft when power is transmitted by belts, chains or gearwheels is obtained, in general, by the following formula:

$$T = 9\,550 \frac{H}{n}, 84\,500 \frac{H}{n} \dots\dots\dots (5.1)$$

$$K_t = \frac{T}{r} \dots\dots\dots (5.2)$$

where,

T : Torque, **N·m**, lbf·inch.

H : Transmission power, kW

n : Number of revolutions, r/min

K_t : Transmission force (effective transmission force of belt or chain; tangential force of gearwheel), **N**, lbf

r : effective radius of belt pulley, sprocket wheel or gearwheel, **m**, inch

Accordingly, the load actually applied to the shaft by the transmission force can be obtained by the following formula:

$$\text{Actual load} = \text{Factor} \times K_t \dots\dots\dots (5.3)$$

Different factors are adopted according to the transmission system in use. These will be dealt with in the following paragraphs.

Belt transmission

When power is transmitted by belt, the effective transmission force working on the belt pulley is calculated by formula (5.2). The term "effective transmission force of the belt" refers to the difference in tension between the tensioned side and the loose side of the belt. Therefore, to obtain the load actually acting on the shaft through the medium of the belt pulley, it is necessary to multiply the effective transmission force by a factor which takes into account the type of belt and the initial tension. This is known as the "belt factor".

Table 5.1 Load factors f_w

Load conditions	f_w	Examples
Little or no shock	1 to 1.2	Machines tools, electric machines, etc.
Some degree of shock; machines with reciprocating parts	1.2 to 1.5	Vehicles, driving mechanism, metal-working machinery, steel-making machines, paper-making machinery, rubber mixing machines, hydraulic equipment, hoists, transportation machinery, power-transmission equipment, woodworking machines, printing machines, etc.
violent shocks	1.5 to 3	Agricultural machines, vibrator screens, ball and tube mills, etc.

In the case of power transmission by belts, gear wheels, etc., load factors adopted are somewhat different from the above. Factors used for power transmission by belts, gearwheels and chains, respectively, are given in the following sections.

Table 5.2 Belt factors f_b

Belt type	f_b
V-belt	1.5 to 2.0
Timing belt	1.1 to 1.3
Flat belt (with tension pulley)	2.5 to 3.0
Flat belt	3.0 to 4.0

Note :In cases where the distance between shafts is short, the revolution speed is low, or where operating conditions are severe, the higher f_b values should be adopted.

Gear transmission

In the case of gear transmissions, the theoretical gear load can be calculated from the transmission force and the type of gear. With spur gears, only a radial load is involved; whereas, with helical gears and bevel gears, an additional axial load is present.

The simplest case is that of spur gears. In this instance, the tangential force K_t is obtained from the formula (5.2) and the radial force K_s can be obtained from the following formula:

$$K_s = K_t \cdot \tan \dots \dots \dots (5.4)$$

where,

: is the pressure angle of the gear.

Accordingly, the theoretical composite force, K_r , working on the gear is obtained from the following formula:

$$K_r = \sqrt{K_t^2 + K_s^2} = K_t \cdot \sec \dots \dots \dots (5.5)$$

Therefore, to obtain the radial load actually working on the shaft, the theoretical composite force, as above, is multiplied by a factor in which the accuracy and the degree of precision of the gear is taken into account. This is called the "gear factor" and is represented by the symbol f_z . In Table 5.3 is below, f_z values for spur wheels are given.

The gear factor is essentially almost the same as the previously described load factor, f_w . In some cases, however, vibrations and shocks are produced also by the machine of which the gear is a part. Here it is necessary to calculate the actual load working on the gear by further multiplying the gear load, as obtained above, by the load factor shown in Table 5.1, according to the degree of shock.

Table 5.3 Gear factors f_z

Gear	f_z
Precision gears (tolerance 0.02 mm 0.0008 inch max., for both pitch and shape)	1.05 to 1.1
Gears finished by ordinary machining work (tolerance 0.02 to 0.1 mm, 0.0008 to 0.0039 inch for both pitch and shape)	1.1 to 1.3

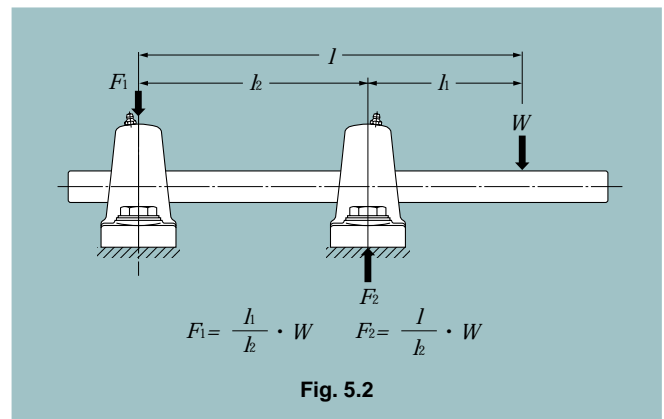
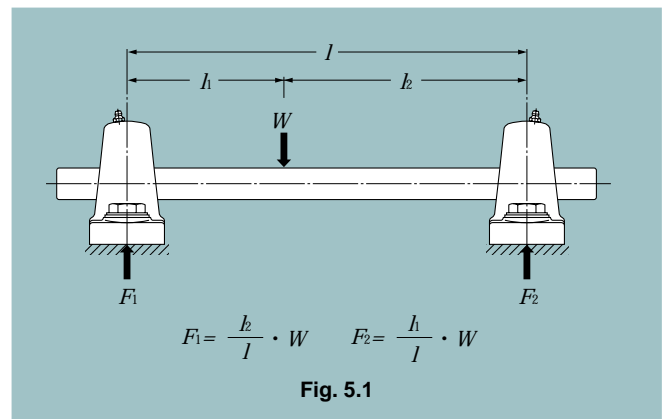
Chain transmission

When power is transmitted by chain, the effective transmission force working on the sprocket wheel is calculated by formula (5.2). To obtain the load actually working, the effective transmission force must be multiplied by the "chain factor", 1.2 to 1.5.

5.1.2 Distribution of the radial load

The load acting on the shaft is distributed to the bearings which support the shaft.

In Fig. 5.1, the load is applied to the shaft between two bearings; in Fig. 5.2 the load is applied to the shaft outside the two bearings. In practice, however, most cases are combinations of Fig. 5.1 and 5.2, and the load is usually a composite load, that is to say, a combination of radial and axial loads. Therefore they are calculated by the methods described in the following sections.



5.2 Equivalent dynamic radial load

For ball bearings used in the NTN unit, the basic rated dynamic loads C_r mentioned in the table of dimensions are applicable only when the load is purely radial. In practice, however, bearings are usually subjected to a composite load. As the table of dimensions is not directly applicable here, it is necessary to convert the values of the radial and axial loads into a single radial load value that would have an effect on the life of bearing equivalent to that of the actual load applied. This is known as the "equivalent dynamic radial load", and from this the life of the ball bearings for the unit is the calculated. The equivalent dynamic radial load is calculated by the following formula:

$$P_r = X \cdot F_r + Y \cdot F_a \dots\dots\dots (5.6)$$

where,

- P_r : equivalent dynamic radial load, **N**, lbf
- F_r : radial load, **N**, lbf
- F_a : axial load, **N**, lbf
- X : radial factor
- Y : axial factor

Values of X and Y are shown in Table 5.4 below.

With ball bearings for the unit, when only radial load is involved, or when $F_a/F_r \leq e$ (e is a value which is determined by the size of an individual bearing and the load acting thereon), the values of X and Y will be 1 and 0 respectively, resulting in the following equation:

$$P_r = F_r \dots\dots\dots (5.7)$$

Table 5.4 Values of X and Y applying when $\frac{F_a}{F_r} > e$

$\frac{F_a}{C_{or}}$	e	$\frac{F_a}{F_r} > e$	
		X	Y
0.010	0.18	0.56	2.46
0.020	0.20		2.14
0.040	0.24		1.83
0.070	0.27		1.61
0.10	0.29		1.48
0.15	0.32		1.35
0.20	0.35		1.25
0.30	0.38		1.13
0.40	0.41		1.05
0.50	0.44		1.00

Note: C_{or} is the basic rated static load. (See the table of dimensions.)

When the value of $\frac{F_a}{C_{or}}$ or $\frac{F_a}{F_r}$ is not in conformity with those given in Table 5.4 above, find the value by interpolation.

5.3 Equivalent static radial load

In the case of a bearing which is stationary, rotates at a low speed of about 10 rpm, or makes slight oscillating movements, it is necessary to take into account the equivalent static radial load, which is the counterpart of the equivalent dynamic radial load of a rotating bearing. In this case, the following formula is used.

$$P_{or} = X_o \cdot F_r + Y_o \cdot F_a \dots\dots\dots (5.8)$$

where,

- P_{or} : equivalent static radial load, **N**, lbf
- F_r : radial load, **N**, lbf
- F_a : axial load, **N**, lbf
- X_o : static radial factor
- Y_o : static axial factor

With the ball bearings for the NTN unit, the values of X_o and Y_o are $X_o = 0.6$ $Y_o = 0.5$.

However when only radial load is involved, or when $F_a/F_r \leq e$, the following values in used:

$$X_o = 1 \quad Y_o = 0$$

Accordingly, the following equation holds.

$$P_{or} = F_r \dots\dots\dots (5.9)$$

6. Bearing Internal Clearance

6.1 Bearing internal clearance

Bearing internal clearance (initial clearance) is the amount of internal clearance a bearing has before being installed on a shaft or in a housing.

As shown in Fig. 6.1, when either the inner ring or the outer ring is fixed and the other ring is free to move, displacement can take place in either an axial or radial direction. This amount of displacement (radially or axially) is termed the internal clearance and, depending on the direction, is called the radial internal clearance or the axial internal clearance.

When the internal clearance of a bearing is measured, a slight measurement load is applied to the raceway so the internal clearance may be measured accurately. However, at this time, a slight amount of elastic deformation of the bearing occurs under the measurement load, and the clearance measurement value (measured clearance) is slightly larger than the true clearance. This discrepancy between the true bearing clearance and the increased amount due to the elastic deformation must be compensated for. These compensation values are given in Table 6.1.

The internal clearance values for each bearing class are shown in Tables 6.3.

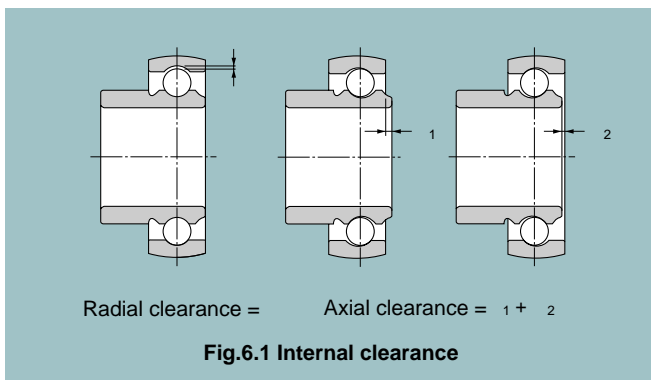


Table 6.1 Adjustment of radial internal clearance based on measured load Unit: μm

Nominal bore diameter d (mm)		Measuring load (N)	Radial clearance increase				
over	incl.		C2	CN	C3	C4	C5
10	18	24.5	3~4	4	4	4	4
18	50	49	4~5	5	6	6	6
50	200	147	6~8	8	9	9	9

6.2 Internal clearance selection

The internal clearance of a bearing under operating conditions (effective clearance) is usually smaller than the same bearing's initial clearance before being installed and operated. This is due to several factors including bearing fit, the difference in temperature between the inner and outer rings, etc. As a bearing's operating clearance has an effect on bearing life, heat generation, vibration, noise, etc.; care must be taken in selecting the most suitable operating clearance.

Effective internal clearance:

The internal clearance differential between the initial clearance and the operating (effective) clearance (the amount of clearance reduction caused by interference fits, or clearance variation due to the temperature difference between the inner and outer rings) can be calculated by the following formula:

$$e_{\text{eff}} = e_0 (f + t) \dots\dots\dots (6.1)$$

where,

e_{eff} : Effective internal clearance, mm

e_0 : Bearing internal clearance, mm

f : Reduced amount of clearance due to interference, mm

t : Reduced amount of clearance due to temperature differential of inner and outer rings, mm

Reduced clearance due to interference:

When bearings are installed with interference fits on shafts and in housings, the inner ring will expand and the outer ring will contract; thus reducing the bearings' internal clearance. The amount of expansion or contraction varies depending on the shape of the bearing, the shape of the shaft or housing, dimensions of the respective parts, and the type of materials used. The differential can range from approximately 70% to 90% of the effective interference.

$$f = (0.70 \sim 0.90) \cdot \Delta_{\text{def}} \dots\dots\dots (6.2)$$

where,

f : Reduced amount of clearance due to interference, mm

Δ_{def} : Effective interference, mm

Reduced internal clearance due to inner/outer ring temperature difference:

During operation, normally the outer ring will be from 5° to 10°C cooler than the inner ring or rotating parts. However, if the cooling effect of the housing is large, the shaft is connected to a heat source, or a heated substance is conducted through the hollow shaft; the temperature difference between the two rings can be even greater. The amount of internal clearance is thus further reduced by the differential expansion of the two rings.

$$t = \dots\dots\dots (6.3)$$

where,

ϵ : Amount of reduced clearance due to heat differential, **mm**

α : Bearing steel linear expansion coefficient $12.5 \times 10^{-6}/^{\circ}\text{C}$

ΔT : Inner/outer ring temperature differential, $^{\circ}\text{C}$

D_o : Outer ring raceway diameter, **mm**

Outer ring raceway diameter, D_o , values can be approximated by using formula 6.4.

For ball bearings,

$$D_o = 0.20 (d + 4.0D) \dots\dots\dots (6.4)$$

where,

d : Bearing bore diameter, **mm**

D : Bearing outside diameter, **mm**

6.3 Bearing internal clearance selection standards

Theoretically, in regard to bearing life, the optimum operating internal clearance for any bearing would be a slight negative clearance after the bearing had reached normal operating temperature.

Unfortunately, under actual operating conditions, maintaining such optimum tolerances is often difficult at best. Due to various fluctuating operating conditions this slight minus clearance can quickly become a large minus, greatly lowering the life of the bearing and causing excessive heat to be generated. Therefore, an initial internal clearance which will result in a slightly greater than negative internal operating clearance should be selected.

Under normal operating conditions (e.g. normal load, fit, speed, temperature, etc.), a standard internal clearance will give a very satisfactory operating clearance.

Table 6.2 lists non-standard clearance recommendations for various applications and operating conditions.

Table 6.2 Examples of applications where bearing clearances other than normal clearance are used

Operating conditions	Applications	Selected clearance
Shaft is heated and housing is cooled.	Conveyor of casting machine	C5
Shaft or inner ring is heated.	Annealing pit, Drying pit, Curing pit	C4
Allows for shaft deflection and fitting errors.	Disc harrows	C4
	Combines	C3
Tight-fitted for both inner and outer rings.	Large blowers	C3
To reduce noise and vibration when rotating.	Multi-wing fan of air conditioners	C2

Table 6.3 (1) Cylindrical bore bearings

Unit: $\mu\text{m}/0.0001\text{ inch}$

Nominal bore diameter <i>d</i>				Radial internal clearance															
				C2		CN		C3		C4									
over		incl.		min.		max.		min.		max.		min.		max.					
mm	inch	mm	inch	mm	inch	mm	inch	mm	inch	mm	inch	mm	inch	mm	inch				
10	0.3937	18	0.7087	0	0	9	4	3	1	18	7	11	4	25	10	18	7	33	13
18	0.7087	24	0.9449	0	0	10	4	5	2	20	8	13	5	28	11	20	8	36	14
24	0.9449	30	1.1811	1	0	11	4	5	2	20	8	13	5	28	11	23	9	41	16
30	1.1811	40	1.5748	1	0	11	4	6	2	20	8	15	6	33	13	28	11	46	18
40	1.5748	50	1.9685	1	0	11	4	6	2	23	9	18	7	36	14	30	12	51	20
50	1.9685	65	2.5591	1	0	15	6	8	3	28	11	23	9	43	17	38	15	61	24
65	2.5591	80	3.1496	1	0	15	6	10	4	30	12	25	10	51	20	46	18	71	28
80	3.1496	100	3.9370	1	0	18	7	12	5	36	14	30	12	58	23	53	21	84	33
100	3.9370	120	4.7244	2	1	20	8	15	6	41	16	36	14	66	26	61	24	97	38
120	4.7244	140	5.5118	2	1	23	9	18	7	48	19	41	16	81	32	71	28	114	45

Note :Heat-resistant bearings with suffix HT2 have C4 clearances.

Table 6.3 (2) Tapered bore bearings

Unit: $\mu\text{m}/0.0001\text{ inch}$

Nominal bore diameter <i>d</i>				Radial internal clearance															
				C2		CN		C3		C4									
over		incl.		min.		max.		min.		max.		min.		max.					
mm	inch	mm	inch	mm	inch	mm	inch	mm	inch	mm	inch	mm	inch	mm	inch				
24	0.9449	30	1.1811	5	2	20	8	13	5	28	11	23	9	41	16	30	12	53	21
30	1.1811	40	1.5748	6	2	20	8	15	6	33	13	28	11	46	18	40	16	54	25
40	1.5748	50	1.9685	6	2	23	9	18	7	36	14	30	12	51	20	45	18	73	29
50	1.9685	65	2.5591	8	3	28	11	23	9	43	17	38	15	61	24	55	22	90	35
65	2.5591	80	3.1496	10	4	30	12	25	10	51	20	46	18	71	28	65	16	105	41
80	3.1496	100	3.9370	12	5	36	14	30	12	58	23	53	21	84	33	75	30	120	47
100	3.9370	120	4.7244	15	6	41	16	36	14	66	26	61	24	97	38	90	35	140	55
120	4.7244	140	5.5118	18	7	48	19	41	16	81	32	71	28	114	45	105	41	160	63

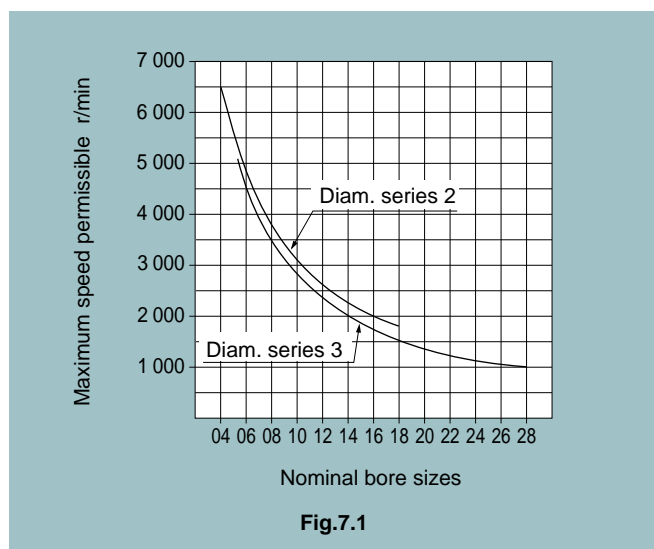
7. Lubrication

As bearings in NTN bearing units have sufficient high-grade grease sealed in at the time of manufacture, there is no need for replenishment while in use. The amount of grease necessary for lubrication is, in general, very small. With the NTN bearing units, the amount of grease occupies about a half to a third of the space inside the bearing.

7.1 Maximum permissible speed of rotation

The maximum speed possible while ensuring the safety and long life of ball bearings used in the unit is limited by their size, the circumferential speed at the point where the seal comes into contact, and the load acting on them.

To indicate the maximum speed permissible, it is customary to use the value of dn or $d_m n$ (d is the bore of the bearing; d_m is the diameter of the pitch circle = (I.D.+O.D.) / 2; n is the number of revolutions).



Problems connected with the lubrication of bearings are the generation of heat and seizures occurring at the sliding parts inside the bearing, in particular at the points where the ball is in contact with the retainer, inner and outer rings. The contact pressure at the points where friction occurs on the retainer is only slightly affected by the load acting on the bearing; the amount of heat generated there is approximately in proportion to the sliding velocity. Therefore, this sliding velocity serves as a yardstick to measure the limit of the rotating speed of the bearing. In the case of a bearing unit, however, there is another large factor that has to be taken into account—the circumferential speed at the part where the seal is in contact.

The graph in Fig. 7.1 indicates the maximum speed of rotation permissible, taking into account the aforementioned factors.

There are two common methods of locking the bearing unit onto the shaft—the set screw system and the eccentric collar system. However, in both of these systems high-speed operation will cause deformation of the inner ring, which may result in vibration of the bearing. For high-speed operation, therefore, it is recommended that an interference fit or a clearance fit with a near-zero clearance be used, with a shaft of the larger size as shown later in this manual in Fig. 8.1, Fig. 8.6.

For standard bearing units with the contact type seal, the maximum speed permissible is $120\,000/d$. Where a higher speed is required, bearing units with the non-contact type seal, are advised. Please contact NTN regarding the use of the latter type. Additionally, it is necessary that the surface on which the housing is mounted be finished to as high a degree of accuracy as possible. A regularity of within $\pm 0.05\text{mm}$, ± 0.002 inch is required.

Table 7.1 Brands of grease used in NTN bearing units

Bearing units	Grease		Symbols	Operating temperature range
	Thickening agent	Base oil		
Standard	Li soap	Mineral oil	D1	-15° to +100°C, (+5° to +212°F) Normal temp. to +180°C (356°F) -60°C (-76°F) to normal temp.
Heat-resistant	Li soap	Silicone oil	HT2D1	
Cold-resistant	Li soap	Silicone oil	CT1D1	

7.2 Replenishment of grease

7.2.1 Sealed-in grease

With NTN bearing units, no relubrication is the general rule. The standard self-lubricating type of bearing units contain high-grade lithium-based grease which, being suitable for long-term use, is ideal for sealed-type bearings. They also feature NTN's unique sealing device. Relubrication, therefore, is unnecessary under most operating conditions.

At high temperatures, or where there is exposure to water or excessive dust, the highest quality grease is essential. Therefore, NTN uses its own specially selected brands which are shown in Table 7.1. It is necessary to use the same brand when replenishing grease.

7.2.2 Mixing of different kinds of grease

Whether or not different kinds of grease may be mixed usually depends on their thickeners. The commonly used criteria are shown in Table 7.2. Properties which are most

Table 7.2 Mixing properties of grease

Soap base	Ca	Na	Al	Ba	Li
Ca				x	
Na				x	x
Al				x	x
Ba	x	x	x		x
Li		x	x	x	

Mixing will not produce any appreciable change of properties.
 Mixing may produce considerable variations of properties.
 x Mixing will cause a drastic change of properties.

Table 7.3 Standard relubrication frequencies

Type of unit	Symbol	dn Value (d × n)	Environmental conditions	Operating temp. , °F	Relubrication frequency	
					Hours	Period
Standard	D1	40 000 and below	Ordinary	-15 to -80, +5 to +176	1 500 to 3 000	6 to 12 mo.
Standard	D1	70 000 and below	Ordinary	-15 to +80, +5 to +176	1 000 to 2 000	3 to 6 mo.
Standard	D1	70 000 and below	Ordinary	+80 to +100, +176 to +212	500 to 700	1 mo.
Heat-resistant	HT2D1	70 000 and below	Ordinary	+100 to +150, +212 to +302	300 to 700	1 mo.
Heat-resistant	HT2D1	70 000 and below	Ordinary	+150 to +180, +302 to +356	100	1 wk.
Heat-resistant	CT1D1	70 000 and below	Ordinary	-60 to +80, -76 to +176	1 000 to 2 000	3 to 6 mo.
Standard	D1	70 000 and below	Very dusty	-15 to +100, +5 to +212	100 to 500	1 wk. to 1 mo.
Standard	D1	70 000 and below	Exposed to water splashes	-15 to +100, +5 to +212	30 to 100	1 day to 1 wk.

susceptible to influences from mixing are viscosity, dropping point and penetration. Water and heat resisting properties as well as mechanical stability are also lowered. Therefore, when mixing in a grease which is different to that which is already in use, it is essential that the thickener (soap base) and the base oil be of the same group.

When relubricating NTN bearing units, it is advisable to use the brands of grease shown in Table 7.1.

7.2.3 Relubrication frequency

Relubrication frequency varies with the kind and quality of grease used as well as the operating conditions. Therefore, it is difficult to establish a general rule, but under ordinary operating conditions, it is desirable that grease be replenished before one third (1/3) of its calculated life elapses. It is necessary, however, to take into consideration such factors as hardening of grease in the oil hole, making replenishment impossible; deterioration of grease while operation of the machine is suspended, and so forth.

In Table 7.3 below are shown standard relubrication frequencies. Irrespective of the calculated life of the grease, this list takes into consideration such factors as the rotational speed of the bearings, operating temperatures and environmental conditions, with a view to safety.

7.2.4 Re-greasing

The performance of a bearing is greatly influenced by the quantity of grease. In order to avoid over-filling, it is advisable to replenish the grease while the machine is in operation.

Continue to insert grease until a little oozes out from between the outer ring raceway and the periphery of the slinger, for optimum performance.

7.3 Grease fitting

NTN bearing units are, as a general rule, provided with a grease fitting, as shown in Table 7.4, and a grease gun is used for regreasing. However, button-head and pin types may also be furnished on demand.

Grease fitting dimensions and the designation of applicable bearing units are given in Table 7.5.

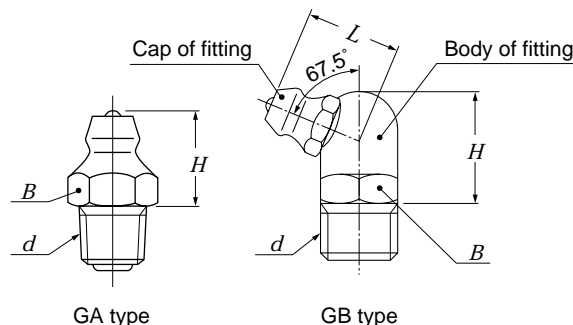


Table 7.4 Grease fitting types available for bearing units

Types of housing	NTN standard grease fitting types
Pillow type	GA type
Flange type	GA type
Take-up type	GB type
Hanger type	GA type
Cartridge type	GA type

Table 7.5 Grease fitting dimensions and designations of applicable bearing units

GA type (Vertical type)

NTN Designation	<i>d</i>	<i>H</i>		<i>B</i>	
		mm	inch	mm	inch
GA-1/4-28 UNF	1/4-28 UNF	8.5	0.335	7	0.276
GA-PF1/8	G1/8	12	0.472	10	0.394
GA-PF1/4	G1/4	14	0.551	14	0.551

GB type (67.5°)

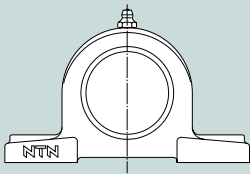
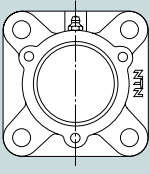
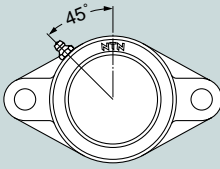
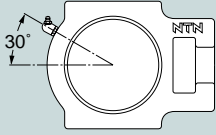
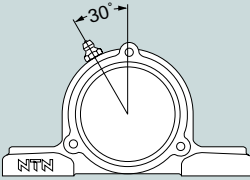
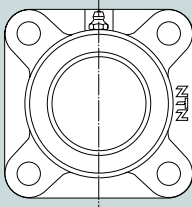
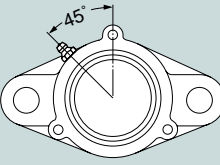
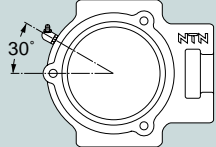
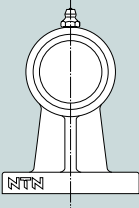
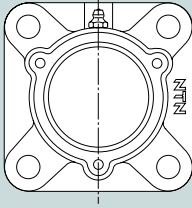
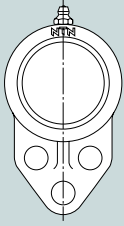
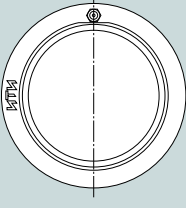
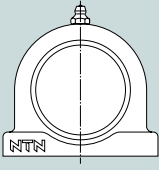
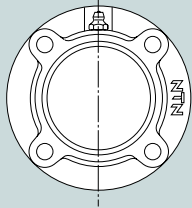
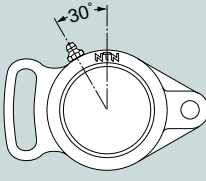
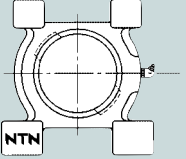
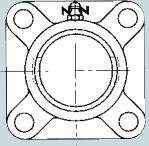
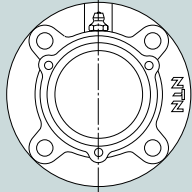
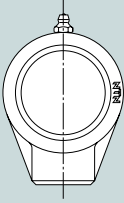
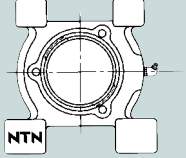
NTN Designation	<i>d</i>	<i>H</i>		<i>L</i>		<i>B</i>	
		mm	inch	mm	inch	mm	inch
GB-1/4-28 UNF	1/4-28 UNF	10.5	0.413	9.3	0.366	8	0.315
GB-PF1/8	G1/8	14.2	0.559	13.5	0.531	10	0.394
GB-PF1/4	G1/4	15	0.591	13.5	0.531	14	0.551

Nominal screw size <i>d</i>	Series 2	Series X	Series 3
1/4-28 UNF	203-209	X05-X08	305-309
G1/8	210-215	X09-X14	310-315
G1/4	216-218	X15-X20	316-328

Note: Screw size for the cartridge type is 1/4 - 28 UNF. That for C310D1 to C328D1 is G 1/8 (PF 1/8).

7.4 Standard location of the grease fitting

Standard location of grease fitting on the housing for the relubricatable bearing units of each type is illustrated below.

			
P, PL, PX, S-P, type	C-F type	FL, FLU, FLX, S-FL type	T, TX, S-T type
			
C-P type	F, FU, S-F (#204, #205) FS type	C-FL type	C-T type
			
HP type	C-FS type	FH type	C, CX type
			
UP type	FC, FCX, S-FC type	FA type	M, L, S-M, S-L type
			
Except (#204, #205) F, FU, FX, S-F type	C-FC type	HB type	C-M, C-L type

8. Shaft Designs

Although the shafts used for NTN bearing units require no particularly high standards of accuracy, it is desirable that, as far as possible, they be free from bends and flaws.

8.1 Set screw system bearing units

With set screw system bearing units, under normal operating conditions the inner ring is usually fitted onto the shaft by means of a clearance fit to ensure convenience of assembly. In this case the values shown in Fig. 8.1 are appropriate dimensional tolerances for the shaft.

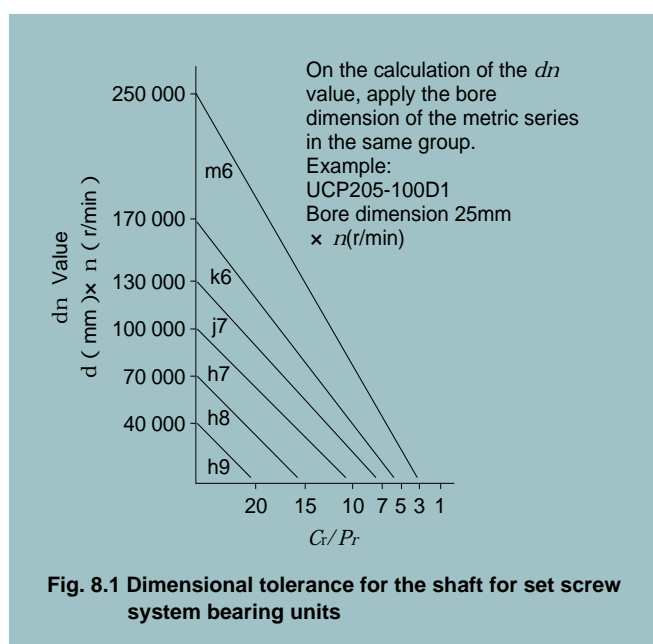


Fig. 8.1 Dimensional tolerance for the shaft for set screw system bearing units

Step shafts

Whenever there is a noticeably large axial load, a step shaft, as shown in Fig. 8.2, should, if practical, be used.

For bearing units with covers, it is recommended that the units shown in Table 8.1 be used with shafts of the corresponding diameters, as shown in the same table.

The values of the radii of the rounded corners of these shafts are shown in Table 8.2.

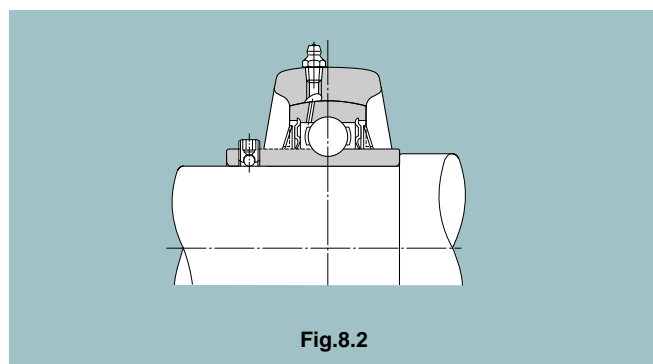


Fig.8.2

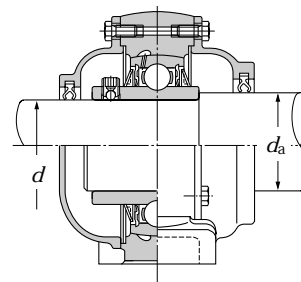


Table 8.1 Bearing units with covers (for use with step shafts) and shaft diameters

A) Metric series

Designation of units		d_a mm
10C-UCP206 to 10C-UCP218	10C-UCT208 to 10C-UCT217	$d+10$
10C-UCP305 to 10C-UCP311	10C-UCT305 to 10C-UCT311	$d+10$
15C-UCP312 to 15C-UCP324	15C-UCT312 to 15C-UCT324	$d+15$
20C-UCP326 to 20C-UCP328	20C-UCT326 to 20C-UCT328	$d+20$

Remarks : Designation of bearing units with blind covers.
 Example : 10CM-UCP206D1

B) Inch series

Designation of units	d_a inch	Designation of units	d_a inch
ZnC-...206-...	$1\frac{1}{2}$	ZnC-...305-...	$1\frac{3}{8}$
ZnC-...207-...	$1\frac{3}{4}$	ZnC-...306-...	$1\frac{1}{2}$
ZnC-...208-...	$1\frac{7}{8}$	ZnC-...307-...	$1\frac{3}{4}$
ZnC-...209-...	2	ZnC-...308-...	$1\frac{7}{8}$
ZnC-...210-...	$2\frac{3}{8}$	ZnC-...309-...	$2\frac{1}{8}$
ZnC-...211-...	$2\frac{1}{2}$	ZnC-...310-...	$2\frac{3}{8}$
ZnC-...212-...	$2\frac{3}{4}$	ZnC-...311-...	$2\frac{3}{4}$
ZnC-...213-...	3	ZnC-...312-...	3
ZnC-...214-...	$3\frac{1}{8}$	ZnC-...313-...	$3\frac{1}{8}$
ZnC-...215-...	$3\frac{3}{8}$	ZnC-...314-...	$3\frac{1}{4}$
ZnC-...216-...	$3\frac{1}{2}$	ZnC-...315-...	$3\frac{1}{2}$
ZnC-...217-...	$3\frac{3}{4}$	ZnC-...316-...	$3\frac{3}{4}$
ZnC-...218-...	4	ZnC-...317-...	4
		ZnC-...318-...	4

Note :Designations for all units differ from the normal numbering system.

Example 1 Pillow type : ZnC-UCP206-101D1

ZnCM-UCP206-101D1

Example 2 Flange type : ZnC-UCF206-101D1

ZnC-UCFL206-101D1

Example 3 Take-up type : ZnC-UCT206-101D1

ZnCM-UCT206-101D1

n indicates serial number in designing from 1 onward.

As an expedient, there may be provided a bored hole on the shaft as illustrated in Fig. 8.3. In this case it is necessary to ensure the accuracy of the relationship between the positions of the housing of the bearing and of the bored hole on the shaft.

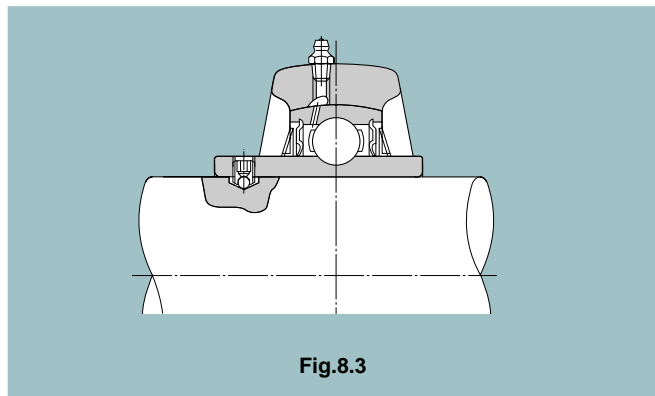


Fig.8.3

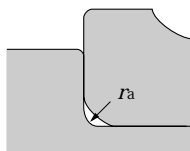


Table 8.2 Radii of the round corners of step shafts

Designation of bearings	r_{as} max.		Designation of bearings	r_{as} max.	
	mm	inch		mm	inch
UC201 to UC203	0.6	0.024	UC305 to UC306	1.5	0.059
UC204 to UC206	1	0.039	UC307 to UC309	2	0.079
UC207 to UC210	1.5	0.059	UC310 to UC311	2.5	0.098
UC211 to UC215	2	0.079	UC312 to UC316	2.5	0.098
UC216 to UC218	2.5	0.098	UC317 to UC324	3	0.118
			UC326 to UC328	4	0.157

Relief in the axial direction

Where several bearing units are fitted on the shaft, or where there is a great distance between two bearing units, one of the bearings is secured to the shaft as the "fixed-side bearing" and is subjected to both the axial and radial loads. The other is mounted on the shaft as the "free-side bearing" and is subjected only to radial load, compensating for expansion of the shaft due to a rise in temperature or for any errors in the distance between bearings that may have occurred during assembly.

If there is no free-side bearing, the bearings will be subjected to an abnormal axial load, which could cause premature breakdown.

Although it is desirable to use a cartridge-type bearing unit for the above purpose (Fig. 8.4), the following method is often employed. As illustrated in Fig. 8.5 (a) and (b), a key way is cut in the shaft, to accommodate a special set screw.

When relief is provided in the axial direction by the use of screwed bolts as above, the dimensional relationships applicable are as shown in Tables 8.3 (a) and 8.3 (b) on the following pages.

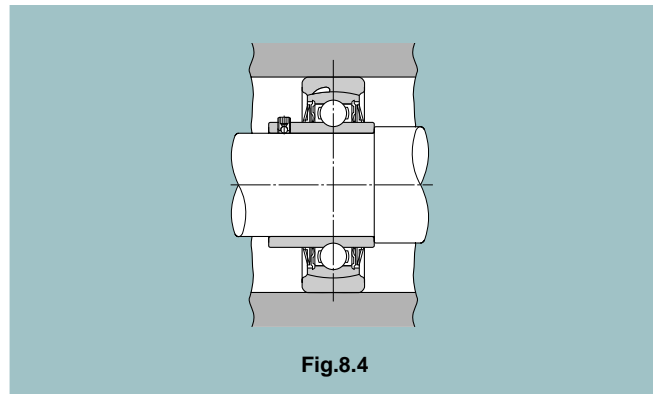


Fig.8.4

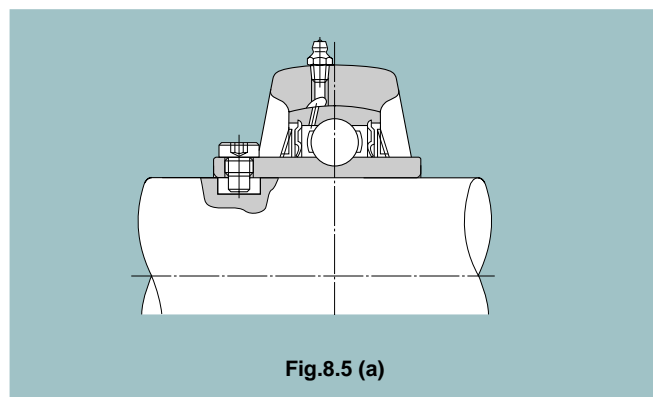


Fig.8.5 (a)

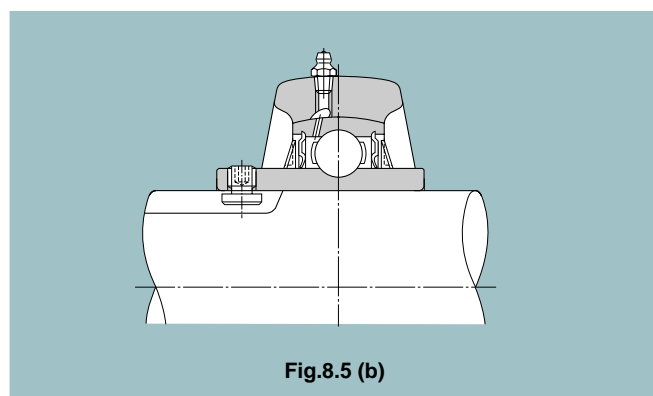


Fig.8.5 (b)

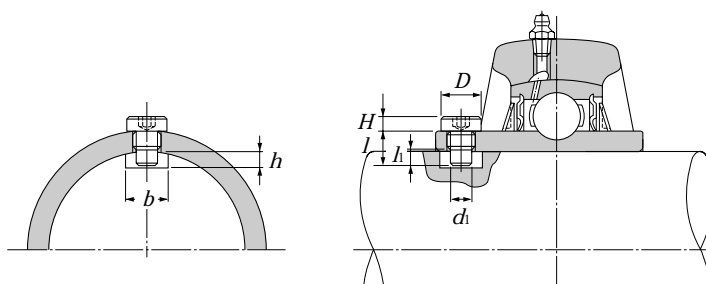
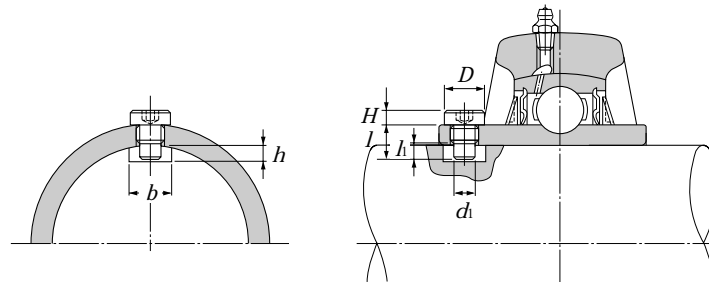


Table 8.3 (a) Screwed bolt system

A) Metric series, applied to metric bore size.

Designation of bearings	Key way		Designation and size of bolts	d_1 mm	l mm	h mm	D mm	H mm
	Width b mm	Depth h mm						
UC201D1W5	3.5	3	S5W5×0.8×11	3.5	11	5	6	3
UC202D1W5	3.5	4.5	S5W5×0.8×11	3.5	11	5	6	3
UC203D1W5	3.5	5.5	S5W5×0.8×11	3.5	11	5	6	3
UC204D1W5	3.5	4.5	S5W5×0.8×8.5	3.5	8.5	5	6	3
UC205D1W5	3.5	5	S5W5×0.8×8.5	3.5	8.5	5	6	3
UC206D1W5	4	5.5	S5W6×0.75×10	4	10	5.9	8	3
UC207D1W5	4	5	S5W6×0.75×10	4	10	5.9	8	3
UC208D1W5	6	5.5	S5W8×1×11.5	6	11.5	5.5	10	3
UC209D1W5	6	6	S5W8×1×11.5	6	11.5	5.5	10	3
UC210D1W5	6	6	S5W8×1×11.5	6	11.5	5.5	10	3
UC211D1W5	6	5.5	S5W8×1×11.5	6	11.5	5.5	10	3
UC212D1W5	7	5.5	S5W10×1.25×13.5	7	13.5	6.5	12	3
UC213D1W5	7	5.5	S5W10×1.25×13.5	7	13.5	6.5	12	3
UC214D1W5	7	5.5	S5W10×1.25×13.5	7	13.5	6.5	12	3
UC215D1W5	7	5	S5W10×1.25×13.5	7	13.5	6.5	12	3
UC216D1W5	7	6.5	S5W10×1.25×15	7	15	7	12	3
UC217D1W5	9	6.5	S5W12×1.5×16.5	9	16.5	7	14	4
UC218D1W5	9	6.5	S5W12×1.5×16.5	9	16.5	7	14	4
UC305D1W5	4	6.5	S5W6×0.75×11.5	4	11.5	6	8	3
UC306D1W5	4	5	S5W6×0.75×11.5	4	11.5	6	8	3
UC307D1W5	6	5	S5W8×1×11.5	6	11.5	5.5	10	3
UC308D1W5	7	6	S5W10×1.25×13.5	7	13.5	6.5	12	3
UC309D1W5	7	6.5	S5W10×1.25×15	7	15	7	12	3
UC310D1W5	9	7	S5W12×1.5×16.5	9	16.5	7	14	4
UC311D1W5	9	6.5	S5W12×1.5×16.5	9	16.5	7	14	4
UC312D1W5	9	6	S5W12×1.5×16.5	9	16.5	7	14	4
UC313D1W5	9	7	S5W12×1.5×18	9	18	7.5	14	4
UC314D1W5	9	6.5	S5W12×1.5×18	9	18	7.5	14	4
UC315D1W5	10	7.5	S5W14×1.5×20	10	20	8.5	17	5
UC316D1W5	10	7	S5W14×1.5×20	10	20	8.5	17	5
UC317D1W5	12	9	S5W16×1.5×23	12	23	9	19	6
UC318D1W5	12	8.5	S5W16×1.5×23	12	23	9	19	6
UC319D1W5	12	7.5	S5W16×1.5×23	12	23	9	19	6
UC320D1W5	14	8	S5W18×1.5×25	14	25	9.5	22	7
UC321D1W5	14	7	S5W18×1.5×25	14	25	9.5	22	7
UC322D1W5	14	9	S5W18×1.5×29	14	29	10	22	7
UC324D1W5	14	7	S5W18×1.5×29	14	29	10	22	7
UC326D1W5	16	9.5	S5W20×1.5×33	16	33	11	24	7
UC328D1W5	16	8.5	S5W20×1.5×33	16	33	11	24	7

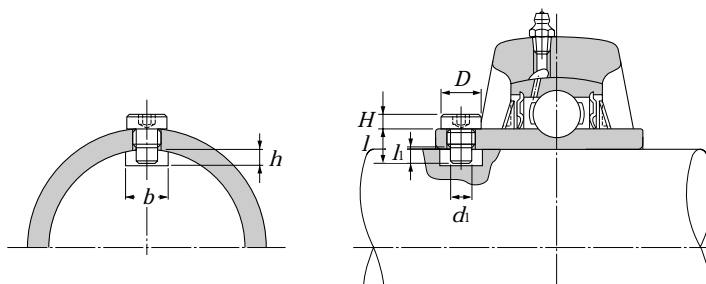
Remarks: The tolerance for the width (b) of the key way should preferably be set at the range of 0 to +0.2 mm.



B) Inch series, applied to inch bore size

Designation of bearings	Key way		Designation and size of bolts	di inch	l inch	hi inch	D inch	H inch
	Width b inch	Depth h inch						
UC201-008D1W5	0.138	0.118	S7W4.826×32×10.5	0.138	0.413	0.197	0.236	0.118
UC202-009D1W5	0.138	0.177	S7W4.826×32×10.5	0.138	0.413	0.197	0.236	0.118
UC202-010D1W5	0.138	0.177	S7W4.826×32×10.5	0.138	0.413	0.197	0.236	0.118
UC203-011D1W5	0.138	0.217	S7W4.826×32×10.5	0.138	0.413	0.197	0.236	0.118
UC204-012D1W5	0.138	0.177	S7W4.826×32×8	0.138	0.315	0.197	0.236	0.118
UC205-013D1W5	0.138	0.197	S7W4.826×32×8	0.138	0.315	0.197	0.236	0.118
UC205-014D1W5	0.138	0.197	S7W4.826×32×8	0.138	0.315	0.197	0.236	0.118
UC205-015D1W5	0.138	0.197	S7W4.826×32×8	0.138	0.315	0.197	0.236	0.118
UC205-100D1W5	0.138	0.197	S7W4.826×32×8	0.138	0.315	0.197	0.236	0.118
UC206-101D1W5	0.157	0.217	S7W1/4×28×9.5	0.157	0.374	0.217	0.315	0.118
UC206-102D1W5	0.157	0.217	S7W1/4×28×9.5	0.157	0.374	0.217	0.315	0.118
UC206-103D1W5	0.157	0.217	S7W1/4×28×9.5	0.157	0.374	0.217	0.315	0.118
UC206-104D1W5	0.157	0.217	S7W1/4×28×9.5	0.157	0.374	0.217	0.315	0.118
UC207-104D1W5	0.157	0.197	S7W1/4×28×9.5	0.157	0.374	0.217	0.315	0.118
UC207-105D1W5	0.157	0.197	S7W1/4×28×9.5	0.157	0.374	0.217	0.315	0.118
UC207-106D1W5	0.157	0.197	S7W1/4×28×9.5	0.157	0.374	0.217	0.315	0.118
UC207-107D1W5	0.157	0.197	S7W1/4×28×9.5	0.157	0.374	0.217	0.315	0.118
UC208-108D1W5	0.236	0.197	S7W5/16×24×10.5	0.236	0.413	0.205	0.394	0.118
UC208-109D1W5	0.236	0.197	S7W5/16×24×10.5	0.236	0.413	0.205	0.394	0.118
UC209-110D1W5	0.236	0.197	S7W5/16×24×10.5	0.236	0.413	0.205	0.394	0.118
UC209-111D1W5	0.236	0.197	S7W5/16×24×10.5	0.236	0.413	0.205	0.394	0.118
UC209-112D1W5	0.236	0.197	S7W5/16×24×10.5	0.236	0.413	0.205	0.394	0.118
UC210-113D1W5	0.236	0.217	S7W5/16×24×10.5	0.236	0.413	0.205	0.394	0.118
UC210-114D1W5	0.236	0.217	S7W5/16×24×10.5	0.236	0.413	0.205	0.394	0.118
UC210-115D1W5	0.236	0.217	S7W5/16×24×10.5	0.236	0.413	0.205	0.394	0.118
UC210-200D1W5	0.236	0.217	S7W5/16×24×10.5	0.236	0.413	0.205	0.394	0.118
UC211-200D1W5	0.236	0.197	S7W5/16×24×10.5	0.236	0.413	0.205	0.394	0.118
UC211-201D1W5	0.236	0.197	S7W5/16×24×10.5	0.236	0.413	0.205	0.394	0.118
UC211-202D1W5	0.236	0.197	S7W5/16×24×10.5	0.236	0.413	0.205	0.394	0.118
UC211-203D1W5	0.236	0.197	S7W5/16×24×10.5	0.236	0.413	0.205	0.394	0.118
UC212-204D1W5	0.276	0.217	S7W3/8×24×12.5	0.276	0.492	0.224	0.472	0.118
UC212-205D1W5	0.276	0.217	S7W3/8×24×12.5	0.276	0.492	0.224	0.472	0.118
UC212-206D1W5	0.276	0.217	S7W3/8×24×12.5	0.276	0.492	0.224	0.472	0.118
UC212-207D1W5	0.276	0.217	S7W3/8×24×12.5	0.276	0.492	0.224	0.472	0.118
UC213-208D1W5	0.276	0.217	S7W3/8×24×12.5	0.276	0.492	0.224	0.472	0.118
UC213-209D1W5	0.276	0.217	S7W3/8×24×12.5	0.276	0.492	0.224	0.472	0.118
UC214-210D1W5	0.276	0.217	S7W3/8×24×12.5	0.276	0.492	0.224	0.472	0.118
UC214-211D1W5	0.276	0.217	S7W3/8×24×12.5	0.276	0.492	0.224	0.472	0.118
UC214-212D1W5	0.276	0.217	S7W3/8×24×12.5	0.276	0.492	0.224	0.472	0.118
UC215-213D1W5	0.276	0.217	S7W3/8×24×12.5	0.276	0.492	0.224	0.472	0.118
UC215-214D1W5	0.276	0.217	S7W3/8×24×12.5	0.276	0.492	0.224	0.472	0.118
UC215-215D1W5	0.276	0.217	S7W3/8×24×12.5	0.276	0.492	0.224	0.472	0.118
UC215-300D1W5	0.276	0.217	S7W3/8×24×12.5	0.276	0.492	0.224	0.472	0.118
UC216-301D1W5	0.276	0.256	S7W3/8×24×14.5	0.276	0.571	0.264	0.472	0.118
UC216-302D1W5	0.276	0.256	S7W3/8×24×14.5	0.276	0.571	0.264	0.472	0.118
UC216-303D1W5	0.276	0.256	S7W3/8×24×14.5	0.276	0.571	0.264	0.472	0.118
UC217-304D1W5	0.354	0.256	S7W1/2×20×15	0.354	0.591	0.244	0.472	0.157
UC217-305D1W5	0.354	0.256	S7W1/2×20×15	0.354	0.591	0.244	0.472	0.157
UC217-307D1W5	0.354	0.256	S7W1/2×20×15	0.354	0.591	0.244	0.472	0.157
UC218-308D1W5	0.354	0.197	S7W1/2×20×15	0.354	0.591	0.244	0.472	0.157

Note: The tolerance for the width (b) of the key way should preferably be set at the range of 0 to +0.008 inch.



B) Inch series, applied to inch bore size

Designation of bearings	Key way		Designation and size of bolts	d ₁ inch	l inch	h inch	D inch	H inch
	Width b inch	Depth h inch						
UC305-013D1W5	0.157	0.236	S7W ¹ / ₄ ×28×11	0.157	0.433	0.228	0.315	0.118
UC305-014D1W5	0.157	0.236	S7W ¹ / ₄ ×28×11	0.157	0.433	0.228	0.315	0.118
UC305-015D1W5	0.157	0.236	S7W ¹ / ₄ ×28×11	0.157	0.433	0.228	0.315	0.118
UC305-100D1W5	0.157	0.236	S7W ¹ / ₄ ×28×11	0.157	0.433	0.228	0.315	0.118
UC306-101D1W5	0.157	0.197	S7W ¹ / ₄ ×28×11	0.157	0.433	0.228	0.315	0.118
UC306-102D1W5	0.157	0.197	S7W ¹ / ₄ ×28×11	0.157	0.433	0.228	0.315	0.118
UC306-103D1W5	0.157	0.197	S7W ¹ / ₄ ×28×11	0.157	0.433	0.228	0.315	0.118
UC307-104D1W5	0.236	0.197	S7W ⁵ / ₁₆ ×24×10.5	0.236	0.413	0.205	0.394	0.118
UC307-105D1W5	0.236	0.197	S7W ⁵ / ₁₆ ×24×10.5	0.236	0.413	0.205	0.394	0.118
UC307-106D1W5	0.236	0.197	S7W ⁵ / ₁₆ ×24×10.5	0.236	0.413	0.205	0.394	0.118
UC307-107D1W5	0.236	0.197	S7W ⁵ / ₁₆ ×24×10.5	0.236	0.413	0.205	0.394	0.118
UC308-108D1W5	0.276	0.197	S7W ³ / ₈ ×24×12.5	0.276	0.492	0.224	0.472	0.118
UC308-109D1W5	0.276	0.197	S7W ³ / ₈ ×24×12.5	0.276	0.492	0.224	0.472	0.118
UC309-110D1W5	0.276	0.236	S7W ³ / ₈ ×24×14.5	0.276	0.571	0.264	0.472	0.118
UC309-111D1W5	0.276	0.236	S7W ³ / ₈ ×24×14.5	0.276	0.571	0.264	0.472	0.118
UC309-112D1W5	0.276	0.236	S7W ³ / ₈ ×24×14.5	0.276	0.571	0.264	0.472	0.118
UC310-113D1W5	0.354	0.256	S7W ¹ / ₂ ×20×15	0.354	0.591	0.244	0.551	0.157
UC310-114D1W5	0.354	0.256	S7W ¹ / ₂ ×20×15	0.354	0.591	0.244	0.551	0.157
UC310-115D1W5	0.354	0.256	S7W ¹ / ₂ ×20×15	0.354	0.591	0.244	0.551	0.157
UC311-200D1W5	0.354	0.236	S7W ¹ / ₂ ×20×15	0.354	0.591	0.244	0.551	0.157
UC311-201D1W5	0.354	0.236	S7W ¹ / ₂ ×20×15	0.354	0.591	0.244	0.551	0.157
UC311-202D1W5	0.354	0.236	S7W ¹ / ₂ ×20×15	0.354	0.591	0.244	0.551	0.157
UC311-203D1W5	0.354	0.236	S7W ¹ / ₂ ×20×15	0.354	0.591	0.244	0.551	0.157
UC312-204D1W5	0.354	0.236	S7W ¹ / ₂ ×20×15	0.354	0.591	0.244	0.551	0.157
UC312-205D1W5	0.354	0.236	S7W ¹ / ₂ ×20×15	0.354	0.591	0.244	0.551	0.157
UC312-206D1W5	0.354	0.236	S7W ¹ / ₂ ×20×15	0.354	0.591	0.244	0.551	0.157
UC312-207D1W5	0.354	0.236	S7W ¹ / ₂ ×20×15	0.354	0.591	0.244	0.551	0.157
UC313-208D1W5	0.354	0.276	S7W ¹ / ₂ ×20×17.5	0.354	0.689	0.276	0.551	0.157
UC313-209D1W5	0.354	0.276	S7W ¹ / ₂ ×20×17.5	0.354	0.689	0.276	0.551	0.157
UC314-210D1W5	0.354	0.256	S7W ⁹ / ₁₆ ×18×17.5	0.354	0.689	0.276	0.551	0.157
UC314-211D1W5	0.354	0.256	S7W ⁹ / ₁₆ ×18×17.5	0.354	0.689	0.276	0.551	0.157
UC314-212D1W5	0.354	0.256	S7W ⁹ / ₁₆ ×18×17.5	0.354	0.689	0.276	0.551	0.157
UC315-213D1W5	0.394	0.295	S7W ⁹ / ₁₆ ×18×19	0.394	0.748	0.335	0.669	0.197
UC315-214D1W5	0.394	0.295	S7W ⁹ / ₁₆ ×18×19	0.394	0.748	0.335	0.669	0.197
UC315-215D1W5	0.394	0.295	S7W ⁹ / ₁₆ ×18×19	0.394	0.748	0.335	0.669	0.197
UC315-300D1W5	0.394	0.295	S7W ⁹ / ₁₆ ×18×19	0.394	0.748	0.335	0.669	0.197
UC316-301D1W5	0.394	0.276	S7W ⁵ / ₈ ×18×19	0.394	0.748	0.335	0.669	0.197
UC316-302D1W5	0.394	0.276	S7W ⁵ / ₈ ×18×19	0.394	0.748	0.335	0.669	0.197
UC316-303D1W5	0.394	0.276	S7W ⁵ / ₈ ×18×19	0.394	0.748	0.335	0.669	0.197
UC317-304D1W5	0.472	0.354	S7W ⁵ / ₈ ×18×21.5	0.472	0.846	0.354	0.748	0.236
UC317-305D1W5	0.472	0.354	S7W ⁵ / ₈ ×18×21.5	0.472	0.846	0.354	0.748	0.236
UC317-307D1W5	0.472	0.354	S7W ⁵ / ₈ ×18×21.5	0.472	0.846	0.354	0.748	0.236
UC318-307D1W5	0.472	0.276	S7W ⁵ / ₈ ×18×21.5	0.472	0.846	0.354	0.748	0.236
UC318-308D1W5	0.472	0.276	S7W ⁵ / ₈ ×18×21.5	0.472	0.846	0.354	0.748	0.236
UC319-310D1W5	0.472	0.276	S7W ⁵ / ₈ ×18×21.5	0.472	0.846	0.354	0.748	0.236
UC319-311D1W5	0.472	0.276	S7W ⁵ / ₈ ×18×21.5	0.472	0.846	0.354	0.748	0.236
UC319-312D1W5	0.472	0.276	S7W ⁵ / ₈ ×18×21.5	0.472	0.846	0.354	0.748	0.236
UC320-314D1W5	0.551	0.315	S7W ⁵ / ₈ ×18×24	0.551	0.945	0.354	0.866	0.276
UC320-315D1W5	0.551	0.315	S7W ⁵ / ₈ ×18×24	0.551	0.945	0.354	0.866	0.276
UC320-400D1W5	0.551	0.315	S7W ⁵ / ₈ ×18×24	0.551	0.945	0.354	0.866	0.276

Note: The tolerance for the width (b) of the Key way should preferably be set at the range of 0 to +0.008 inch.

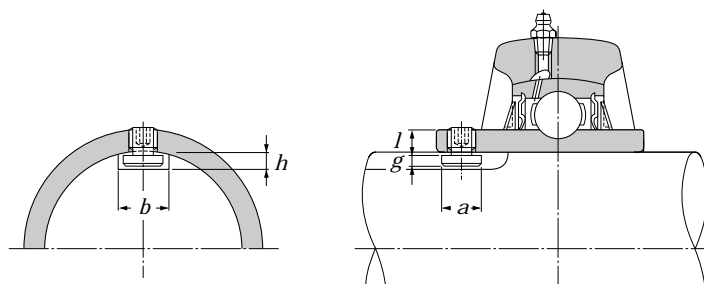
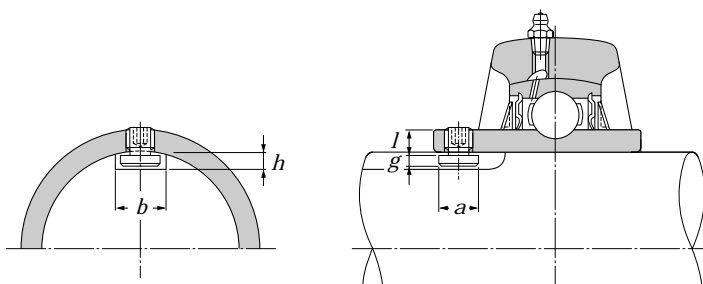


Table 8.3 (b) Key bolt system

A) Metric series, applied to metric bore size.

Designation of bearings	Key way		Designation and size of bolts	a mm	g mm	l mm
	Width <i>b</i> mm	Depth <i>h</i> mm				
UC201D1W6	6	4.5	S6W5×0.8×5-1	5.9	3	6
UC202D1W6	6	4.5	S6W5×0.8×5-1	5.9	3	6
UC203D1W6	6	4	S6W5×0.8×5-1	5.9	3	6
UC204D1W6	7	4.5	S6W5×0.8×5	6.9	3.2	6
UC205D1W6	7	4.5	S6W5×0.8×5	6.9	3.2	6
UC206D1W6	8	4.5	S6W6×0.75×6	7.9	3.2	7
UC207D1W6	8	4.5	S6W6×0.75×6	7.9	3.2	7
UC208D1W6	10	5	S6W8×1×7	9.9	3.6	8
UC209D1W6	10	5	S6W8×1×7	9.9	3.6	8
UC210D1W6	10	5	S6W8×1×7	9.9	3.6	8
UC211D1W6	10	5	S6W8×1×7	9.9	3.6	8
UC212D1W6	12	5.5	S6W10×1.25×9	11.9	4	10
UC213D1W6	12	5.5	S6W10×1.25×9	11.9	4	10
UC214D1W6	12	5.5	S6W10×1.25×9	11.9	4	10
UC215D1W6	12	5.5	S6W10×1.25×9	11.9	4	10
UC216D1W6	12	5.5	S6W10×1.25×9	11.9	4	10
UC217D1W6	14	6	S6W12×1.5×11	13.9	4.8	12
UC218D1W6	14	6	S6W12×1.5×11	13.9	4.8	12
UC305D1W6	8	4.5	S6W6×0.75×6	7.9	3.2	7
UC306D1W6	8	4.5	S6W6×0.75×6	7.9	3.2	7
UC307D1W6	10	5	S6W8×1×7	9.9	3.6	8
UC308D1W6	12	5.5	S6W10×1.25×9	11.9	4	10
UC309D1W6	12	5.5	S6W10×1.25×9	11.9	4	10
UC310D1W6	14	6.5	S6W12×1.5×11	13.9	4.8	12
UC311D1W6	14	6.5	S6W12×1.5×11	13.9	4.8	12
UC312D1W6	14	6.5	S6W12×1.5×11	13.9	4.8	12
UC313D1W6	14	6.5	S6W12×1.5×11	13.9	4.8	12
UC314D1W6	14	6.5	S6W12×1.5×11	13.9	4.8	12
UC315D1W6	16	7.5	S6W14×1.5×13	15.9	5.8	14
UC316D1W6	16	7.5	S6W14×1.5×13	15.9	5.8	14
UC317D1W6	18	8.5	S6W16×1.5×16	17.9	6.5	17
UC318D1W6	18	8.5	S6W16×1.5×16	17.9	6.5	17
UC319D1W6	18	8.5	S6W16×1.5×16	17.9	6.5	17
UC320D1W6	20	10.5	S6W18×1.5×18	19.9	8.5	19
UC321D1W6	20	10.5	S6W18×1.5×18	19.9	8.5	19
UC322D1W6	20	10.5	S6W18×1.5×18	19.9	8.5	19
UC324D1W6	20	10.5	S6W18×1.5×18	19.9	8.5	19
UC326D1W6	22	11	S6W20×1.5×25	21.9	9.5	26
UC328D1W6	22	11	S6W20×1.5×25	21.9	9.5	26

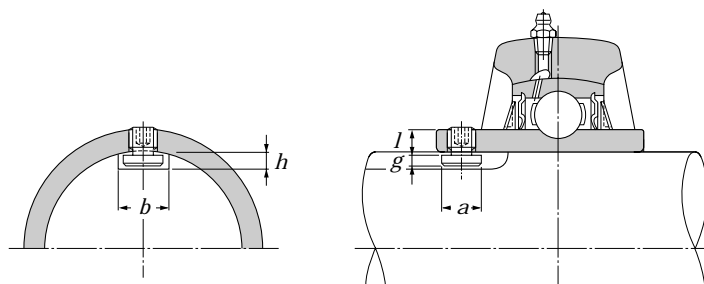
Note: The tolerance for the width (*b*) of the key way should preferably be set at the range of 0 to +0.2 mm.



B) Inch series, applied to inch bore size

Designation of bearings	Key way		Designation and size of bolts	a inch	g inch	l inch
	Width b inch	Depth h inch				
UC201-008D1W6	0.236	0.177	S7W4.826×32×5-1	0.232	0.118	0.236
UC202-009D1W6	0.236	0.177	S7W4.826×32×5-1	0.232	0.118	0.236
UC202-010D1W6	0.236	0.177	S7W4.826×32×5-1	0.232	0.118	0.236
UC203-011D1W6	0.236	0.157	S7W4.826×32×5-1	0.232	0.118	0.236
UC204-012D1W6	0.276	0.177	S7W4.826×32×5	0.272	0.126	0.236
UC205-013D1W6	0.276	0.177	S7W4.826×32×5	0.272	0.126	0.236
UC205-014D1W6	0.276	0.177	S7W4.826×32×5	0.272	0.126	0.236
UC205-015D1W6	0.276	0.177	S7W4.826×32×5	0.272	0.126	0.236
UC205-100D1W6	0.276	0.177	S7W4.826×32×5	0.272	0.126	0.236
UC206-101D1W6	0.315	0.177	S7W ¹ / ₄ ×28×6	0.311	0.126	0.276
UC206-102D1W6	0.315	0.177	S7W ¹ / ₄ ×28×6	0.311	0.126	0.276
UC206-103D1W6	0.315	0.177	S7W ¹ / ₄ ×28×6	0.311	0.126	0.276
UC206-104D1W6	0.315	0.177	S7W ¹ / ₄ ×28×6	0.311	0.126	0.276
UC207-104D1W6	0.315	0.177	S7W ¹ / ₄ ×28×6	0.311	0.126	0.276
UC207-105D1W6	0.315	0.177	S7W ¹ / ₄ ×28×6	0.311	0.126	0.276
UC207-106D1W6	0.315	0.177	S7W ¹ / ₄ ×28×6	0.311	0.126	0.276
UC207-107D1W6	0.315	0.177	S7W ¹ / ₄ ×28×6	0.311	0.126	0.276
UC208-108D1W6	0.394	0.197	S7W ⁵ / ₁₆ ×24×7	0.390	0.142	0.315
UC208-109D1W6	0.394	0.197	S7W ⁵ / ₁₆ ×24×7	0.390	0.142	0.315
UC209-110D1W6	0.394	0.197	S7W ⁵ / ₁₆ ×24×7	0.390	0.142	0.315
UC209-111D1W6	0.394	0.197	S7W ⁵ / ₁₆ ×24×7	0.390	0.142	0.315
UC209-112D1W6	0.394	0.197	S7W ⁵ / ₁₆ ×24×7	0.390	0.142	0.315
UC210-114D1W6	0.394	0.197	S7W ⁵ / ₁₆ ×24×7	0.390	0.142	0.315
UC210-113D1W6	0.394	0.197	S7W ⁵ / ₁₆ ×24×7	0.390	0.142	0.315
UC210-115D1W6	0.394	0.197	S7W ⁵ / ₁₆ ×24×7	0.390	0.142	0.315
UC210-200D1W6	0.394	0.197	S7W ⁵ / ₁₆ ×24×7	0.390	0.142	0.315
UC211-200D1W6	0.394	0.197	S7W ⁵ / ₁₆ ×24×7	0.390	0.142	0.315
UC211-201D1W6	0.394	0.197	S7W ⁵ / ₁₆ ×24×7	0.390	0.142	0.315
UC211-202D1W6	0.394	0.197	S7W ⁵ / ₁₆ ×24×7	0.390	0.142	0.315
UC211-203D1W6	0.394	0.197	S7W ⁵ / ₁₆ ×24×7	0.390	0.142	0.315
UC212-204D1W6	0.472	0.217	S7W ³ / ₈ ×24×9	0.469	0.157	0.394
UC212-205D1W6	0.472	0.217	S7W ³ / ₈ ×24×9	0.469	0.157	0.394
UC212-206D1W6	0.472	0.217	S7W ³ / ₈ ×24×9	0.469	0.157	0.394
UC212-207D1W6	0.472	0.217	S7W ³ / ₈ ×24×9	0.469	0.157	0.394
UC213-208D1W6	0.472	0.217	S7W ³ / ₈ ×24×9	0.469	0.157	0.394
UC213-209D1W6	0.472	0.217	S7W ³ / ₈ ×24×9	0.469	0.157	0.394
UC214-210D1W6	0.472	0.217	S7W ³ / ₈ ×24×9	0.469	0.157	0.394
UC214-211D1W6	0.472	0.217	S7W ³ / ₈ ×24×9	0.469	0.157	0.394
UC214-212D1W6	0.472	0.217	S7W ³ / ₈ ×24×9	0.469	0.157	0.394
UC215-213D1W6	0.472	0.217	S7W ³ / ₈ ×24×9	0.469	0.157	0.394
UC215-214D1W6	0.472	0.217	S7W ³ / ₈ ×24×9	0.469	0.157	0.394
UC215-215D1W6	0.472	0.217	S7W ³ / ₈ ×24×9	0.469	0.157	0.394
UC215-300D1W6	0.472	0.217	S7W ³ / ₈ ×24×9	0.469	0.157	0.394
UC216-301D1W6	0.472	0.217	S7W ³ / ₈ ×24×9	0.469	0.157	0.394
UC216-302D1W6	0.472	0.217	S7W ³ / ₈ ×24×9	0.469	0.157	0.394
UC216-303D1W6	0.472	0.217	S7W ³ / ₈ ×24×9	0.469	0.157	0.394
UC217-304D1W6	0.551	0.236	S7W ¹ / ₂ ×20×11	0.547	0.189	0.472
UC217-305D1W6	0.551	0.236	S7W ¹ / ₂ ×20×11	0.547	0.189	0.472
UC217-307D1W6	0.551	0.236	S7W ¹ / ₂ ×20×11	0.547	0.189	0.472
UC218-308D1W6	0.551	0.236	S7W ¹ / ₂ ×20×11	0.547	0.189	0.472

Note :The tolerance for the width (b) of the key way should preferably be set at the range of 0 to +0.008 inch.



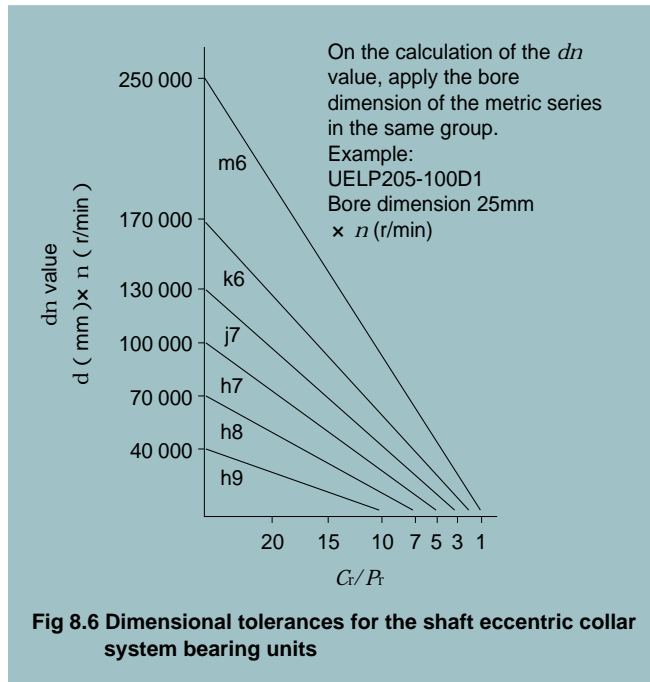
B) Inch series, applied to inch bore size

Designation of bearings	Key way		Designation and size of bolts	a inch	g inch	l inch
	Width b inch	Depth h inch				
UC305-013D1W6	0.315	0.177	S7W ¹ / ₄ ×28×6	0.311	0.126	0.276
UC305-014D1W6	0.315	0.177	S7W ¹ / ₄ ×28×6	0.311	0.126	0.276
UC305-015D1W6	0.315	0.177	S7W ¹ / ₄ ×28×6	0.311	0.126	0.276
UC305-100D1W6	0.315	0.177	S7W ¹ / ₄ ×28×6	0.311	0.126	0.276
UC306-101D1W6	0.315	0.177	S7W ¹ / ₄ ×28×6	0.311	0.126	0.276
UC306-102D1W6	0.315	0.177	S7W ¹ / ₄ ×28×6	0.311	0.126	0.276
UC306-103D1W6	0.315	0.177	S7W ¹ / ₄ ×28×6	0.311	0.126	0.276
UC307-104D1W6	0.394	0.197	S7W ⁵ / ₁₆ ×24×7	0.390	0.142	0.315
UC307-105D1W6	0.394	0.197	S7W ⁵ / ₁₆ ×24×7	0.390	0.142	0.315
UC307-106D1W6	0.394	0.197	S7W ⁵ / ₁₆ ×24×7	0.390	0.142	0.315
UC307-107D1W6	0.394	0.197	S7W ⁵ / ₁₆ ×24×7	0.390	0.142	0.315
UC308-108D1W6	0.472	0.217	S7W ³ / ₈ ×24×9	0.469	0.157	0.394
UC308-109D1W6	0.472	0.217	S7W ³ / ₈ ×24×9	0.469	0.157	0.394
UC309-110D1W6	0.472	0.217	S7W ³ / ₈ ×24×9	0.469	0.157	0.394
UC309-111D1W6	0.472	0.217	S7W ³ / ₈ ×24×9	0.469	0.157	0.394
UC309-112D1W6	0.472	0.217	S7W ³ / ₈ ×24×9	0.469	0.157	0.394
UC310-113D1W6	0.551	0.256	S7W ¹ / ₂ ×20×11	0.547	0.189	0.472
UC310-114D1W6	0.551	0.256	S7W ¹ / ₂ ×20×11	0.547	0.189	0.472
UC310-115D1W6	0.551	0.256	S7W ¹ / ₂ ×20×11	0.547	0.189	0.472
UC311-200D1W6	0.551	0.256	S7W ¹ / ₂ ×20×11	0.547	0.189	0.472
UC311-201D1W6	0.551	0.256	S7W ¹ / ₂ ×20×11	0.547	0.189	0.472
UC311-202D1W6	0.551	0.256	S7W ¹ / ₂ ×20×11	0.547	0.189	0.472
UC311-203D1W6	0.551	0.256	S7W ¹ / ₂ ×20×11	0.547	0.189	0.472
UC312-204D1W6	0.551	0.256	S7W ¹ / ₂ ×20×11	0.547	0.189	0.472
UC312-205D1W6	0.551	0.256	S7W ¹ / ₂ ×20×11	0.547	0.189	0.472
UC312-206D1W6	0.551	0.256	S7W ¹ / ₂ ×20×11	0.547	0.189	0.472
UC312-207D1W6	0.551	0.256	S7W ¹ / ₂ ×20×11	0.547	0.189	0.472
UC313-208D1W6	0.551	0.256	S7W ¹ / ₂ ×20×11	0.547	0.189	0.472
UC313-209D1W6	0.551	0.256	S7W ¹ / ₂ ×20×11	0.547	0.189	0.472
UC314-210D1W6	0.551	0.256	S7W ¹ / ₂ ×20×11	0.547	0.189	0.472
UC314-211D1W6	0.551	0.256	S7W ¹ / ₂ ×20×11	0.547	0.189	0.472
UC314-212D1W6	0.551	0.256	S7W ¹ / ₂ ×20×11	0.547	0.189	0.472
UC315-213D1W6	0.630	0.295	S7W ⁹ / ₁₆ ×18×13	0.626	0.228	0.551
UC315-214D1W6	0.630	0.295	S7W ⁹ / ₁₆ ×18×13	0.626	0.228	0.551
UC315-215D1W6	0.630	0.295	S7W ⁹ / ₁₆ ×18×13	0.626	0.228	0.551
UC315-300D1W6	0.630	0.295	S7W ⁹ / ₁₆ ×18×13	0.626	0.228	0.551
UC316-301D1W6	0.630	0.295	S7W ⁹ / ₁₆ ×18×13	0.626	0.228	0.551
UC316-302D1W6	0.630	0.295	S7W ⁹ / ₁₆ ×18×13	0.626	0.228	0.551
UC316-303D1W6	0.630	0.295	S7W ⁹ / ₁₆ ×18×13	0.626	0.228	0.551
UC317-304D1W6	0.709	0.335	S7W ⁵ / ₈ ×18×16	0.705	0.256	0.669
UC317-305D1W6	0.709	0.335	S7W ⁵ / ₈ ×18×16	0.705	0.256	0.669
UC317-307D1W6	0.709	0.335	S7W ⁵ / ₈ ×18×16	0.705	0.256	0.669
UC318-307D1W6	0.709	0.335	S7W ⁵ / ₈ ×18×16	0.705	0.256	0.669
UC318-308D1W6	0.709	0.335	S7W ⁵ / ₈ ×18×16	0.705	0.256	0.669
UC319-310D1W6	0.709	0.335	S7W ⁵ / ₈ ×18×16	0.705	0.256	0.669
UC319-311D1W6	0.709	0.335	S7W ⁵ / ₈ ×18×16	0.705	0.256	0.669
UC319-312D1W6	0.709	0.335	S7W ⁵ / ₈ ×18×16	0.705	0.256	0.669
UC320-314D1W6	0.787	0.413	S7W ⁵ / ₈ ×18×18	0.783	0.335	0.748
UC320-315D1W6	0.787	0.413	S7W ⁵ / ₈ ×18×18	0.783	0.335	0.748
UC320-400D1W6	0.787	0.413	S7W ⁵ / ₈ ×18×18	0.783	0.335	0.748

Note: The tolerance for the width (b) of the key way should preferably be set at the range of 0 to +0.008 inch.

8.2 Eccentric collar system

As in the case of the set screw system, it is usual under normal operating conditions to fit the inner ring onto the shaft by means of a clearance fit, for ease of assembly. Fig. 8.6 shows the appropriate values of dimensional tolerances for the shaft.



8.3 Adapter system bearing units

Since in the case of the adapter system, the bearing unit is fastened onto the shaft by means of a sleeve, for dimensional tolerances for the shaft, h9 is applicable under all operating conditions.

9. Handling of the Bearing Unit

9.1 Mounting of the housing

9.1.1 Pillow block type and flange type

Although an advantage of the NTN bearing unit is that it can be fitted easily and will function efficiently on any part of a machine, attention must be paid to the following points in order to ensure its normal service life.

- 1) The surface on which the housing is mounted must be sufficiently rigid.
- 2) The surface on which the housing is mounted should be as flat as possible (The housing should set firmly in its position). Deformation of the housing caused by incorrect mounting will in turn cause deformation of the bearing, leading to its premature breakdown.

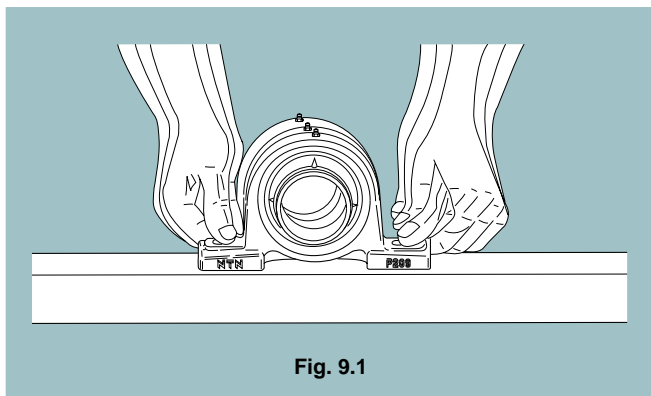


Fig. 9.1

- 3) It is desirable that the angle between the surface on which the housing is mounted and the shaft be maintained to a tolerance of $\pm 2^\circ$.

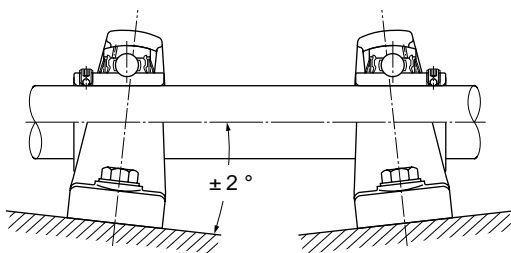


Fig. 9.2

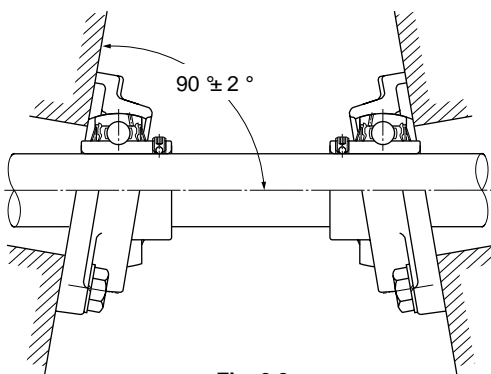
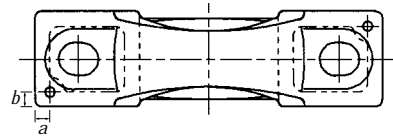


Fig. 9.3

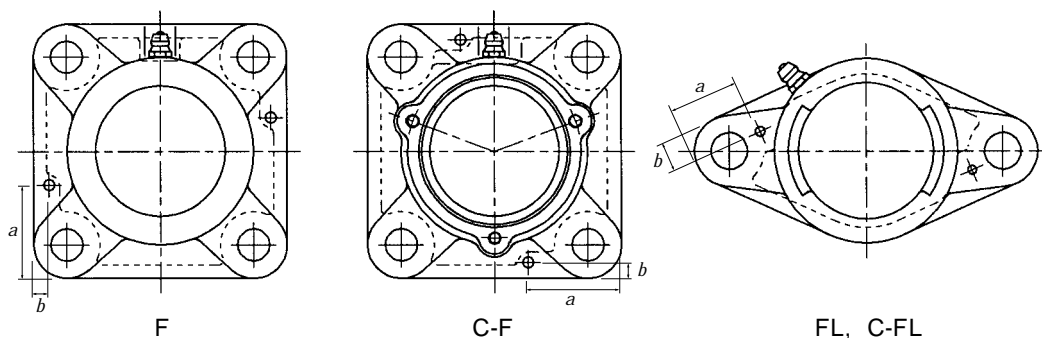
- 4) The pillow block type and flange type housings are provided with a seat for a dowel for accurate location. For the use of dowel pins, refer to Table 9.1.



P, C-P

Table 9.1 Recommended dimensions of dowel pins

Designation of the housings	a		b		Recommended pin diameter	
	mm	inch	mm	inch	mm	inch
P203	5.5	0.216	5.5	0.216	3	0.118
P204 C-P204	5.5	0.216	5.5	0.216	3	0.118
P205 C-P205	5.5	0.216	5.5	0.216	3	0.118
P206 C-P206	5.5	0.216	5.5	0.216	3	0.118
P207 C-P207	5.5	0.216	5.5	0.216	3	0.118
P208 C-P208	7	0.276	7	0.276	5	0.197
P209 C-P209	7	0.276	7	0.276	5	0.197
P210 C-P210	7.5	0.295	7.5	0.295	5	0.197
P211 C-P211	7.5	0.295	7.5	0.295	5	0.197
P212 C-P212	9	0.354	9	0.354	7	0.276
P213 C-P213	9	0.354	9	0.354	7	0.276
P214 C-P214	9	0.354	9	0.354	7	0.276
P215 C-P215	9	0.354	9	0.354	7	0.276
P216 C-P216	10	0.394	10	0.394	7	0.276
P217 C-P217	12	0.472	12	0.472	10	0.394
P218 C-P218	12	0.472	12	0.472	10	0.394
P305 C-P305	8	0.315	8	0.315	4	0.157
P306 C-P306	8	0.315	8	0.315	4	0.157
P307 C-P307	10	0.394	10	0.394	5	0.197
P308 C-P308	10	0.394	10	0.394	5	0.197
P309 C-P309	10	0.394	10	0.394	5	0.197
P310 C-P310	12	0.472	12	0.472	6	0.236
P311 C-P311	12	0.472	12	0.472	6	0.236
P312 C-P312	14	0.551	14	0.551	6	0.236
P313 C-P313	14	0.551	14	0.551	6	0.236
P314 C-P314	14	0.551	14	0.551	6	0.236
P315 C-P315	17	0.669	17	0.669	8	0.315
P316 C-P316	17	0.669	17	0.669	8	0.315
P317 C-P317	17	0.669	17	0.669	8	0.315
P318 C-P318	17	0.669	17	0.669	8	0.315
P319 C-P319	17	0.669	17	0.669	8	0.315
P320 C-P320	17	0.669	17	0.669	8	0.315
P321 C-P321	17	0.669	17	0.669	8	0.315
P322 C-P322	19	0.748	19	0.748	10	0.394
P324 C-P324	19	0.748	19	0.748	10	0.394
P326 C-P326	23	0.906	23	0.906	12	0.472
P328 C-P328	23	0.906	23	0.906	12	0.472



Designation of the housings		a		b		Recommended pin diameter	
		mm	inch	mm	inch	mm	inch
F204	C-F204	33	1.229	6	0.236	4	0.157
F205	C-F205	35	1.378	6	0.236	4	0.157
F206	C-F206	35	1.378	6	0.236	4	0.157
F207	C-F207	38	1.496	7	0.276	5	0.197
F208	C-F208	40	1.575	8	0.315	5	0.197
F209	C-F209	43	1.693	8	0.315	5	0.197
F210	C-F210	49	1.929	8	0.315	5	0.197
F211	C-F211	49	1.929	8	0.315	5	0.197
F212	C-F212	49	1.929	8	0.315	5	0.197
F213	C-F213	52	2.047	9	0.354	6	0.236
F214	C-F214	52	2.047	9	0.354	6	0.236
F215	C-F215	52	2.047	9	0.354	6	0.236
F216	C-F216	55	2.165	12	0.472	6	0.236
F217	C-F217	55	2.165	12	0.472	6	0.236
F218	C-F218	61	2.402	14	0.551	6	0.236
F305	C-F305	35	1.378	6	0.236	4	0.157
F306	C-F306	40	1.575	6	0.236	4	0.157
F307	C-F307	47	1.805	8	0.315	5	0.197
F308	C-F308	48	1.890	8	0.315	5	0.197
F309	C-F309	48	1.890	8	0.315	5	0.197
F310	C-F310	48	1.890	8	0.315	5	0.197
F311	C-F311	51	2.008	10	0.394	5	0.197
F312	C-F312	51	2.008	10	0.394	5	0.197
F313	C-F313	57	2.244	10	0.394	6	0.236
F314	C-F314	61	2.402	10	0.394	6	0.236
F315	C-F315	65	2.559	8.5	0.335	6	0.236
F316	C-F316	65	2.559	8.5	0.335	6	0.236
F317	C-F317	70	2.756	9	0.354	6	0.236
F318	C-F318	80	3.150	10	0.394	8	0.315
F319	C-F319	80	3.150	10	0.394	8	0.315
F320	C-F320	80	3.150	10	0.394	8	0.315
F321	C-F321	80	3.150	10	0.394	8	0.315
F322	C-F322	90	3.543	10	0.394	8	0.315
F324	C-F324	90	3.543	13	0.512	10	0.394
F326	C-F326	100	3.937	13	0.512	10	0.394
F328	C-F328	108	4.252	13	0.512	10	0.394

Designation of the housings		a		b		Recommended pin diameter	
		mm	inch	mm	inch	mm	inch
FL204	C-FL204	22	0.866	10	0.394	4	0.157
FL205	C-FL205	32	1.260	10	0.394	4	0.157
FL206	C-FL206	33	1.299	12	0.472	4	0.157
FL207	C-FL207	30	1.181	14	0.551	5	0.197
FL208	C-FL208	33	1.299	15	0.591	5	0.197
FL209	C-FL209	38	1.496	15	0.591	5	0.197
FL210	C-FL210	39	1.535	16	0.630	5	0.197
FL211	C-FL211	44	1.732	18	0.709	5	0.197
FL212	C-FL212	54	2.126	19	0.748	5	0.197
FL213	C-FL213	53	2.087	18	0.709	6	0.236
FL214	C-FL214	53	2.087	18	0.709	6	0.236
FL215	C-FL215	55	2.165	21	0.827	6	0.236
FL216	C-FL216	55	2.165	21	0.827	6	0.236
FL217	C-FL217	55	2.165	21	0.827	6	0.236
FL218	C-FL218	55	2.165	22	0.866	6	0.236
FL305	C-FL305	35	1.378	9	0.354	4	0.157
FL306	C-FL306	44	1.732	11	0.433	4	0.157
FL307	C-FL307	43	1.693	13	0.512	5	0.197
FL308	C-FL308	45	1.772	15	0.591	5	0.197
FL309	C-FL309	51	2.008	18	0.709	5	0.197
FL310	C-FL310	55	2.165	15	0.591	5	0.197
FL311	C-FL311	55	2.165	15	0.591	5	0.197
FL312	C-FL312	60	2.363	18	0.709	5	0.197
FL313	C-FL313	59	2.323	24	0.945	6	0.236
FL314	C-FL314	63	2.480	24	0.945	6	0.236
FL315	C-FL315	66	2.598	23	0.906	6	0.236
FL316	C-FL316	72	2.835	27	1.063	6	0.236
FL317	C-FL317	74	2.913	29	1.142	6	0.236
FL318	C-FL318	74	2.913	29	1.142	8	0.315
FL319	C-FL319	80	3.150	30	1.181	8	0.315
FL320	C-FL320	84	3.307	30	1.181	8	0.315
FL321	C-FL321	84	3.307	30	1.181	8	0.315
FL322	C-FL322	84	3.307	36	1.417	8	0.315
FL324	C-FL324	93	3.661	38	1.496	10	0.394
FL326	C-FL326	94	3.701	39	1.535	10	0.394
FL328	C-FL328	102	4.016	40	1.575	10	0.394

9.1.2 Cartridge type

The inside diameter of the housing into which a cartridge type unit is inserted should be H7 under general operating conditions. It should be so furnished as to permit the bearing unit to move freely in the axial direction.

9.2 Mounting the bearing unit on the shaft

9.2.1 Mounting of the set screw system unit

To mount the set screw system bearing unit on the shaft, it is sufficient to tighten the two set screws uniformly.

The construction of the NTN "Ball-End Set Screw" is illustrated in Fig. 9.4 with the pin design that prevents it from becoming loose even when it is subjected to vibrations or impact loads.

If the fit clearance between the inner ring and the shaft is very small, it is advisable, prior to fastening on the screw, to file off that part of the shaft at which the end of the set screw (ball) strikes, by approximately 0.2 to 0.5mm 0.01 to 0.02 inches, to flatten it, as illustrated in Fig. 9.5.

This will facilitate dismounting of the bearing from the shaft should it become necessary.

The method of mounting the unit on the shaft is as follows:

- 1) Make certain that the end of the set screw is not protruding into the bore of the bearing.

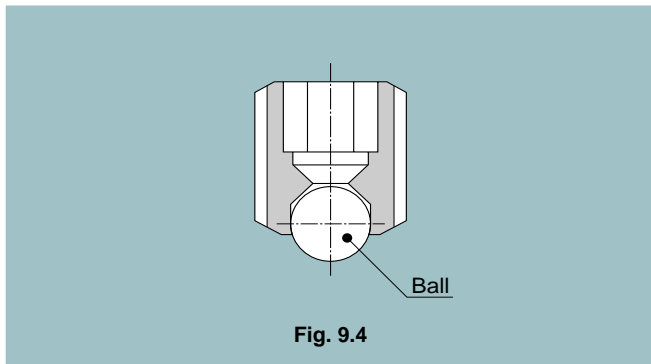


Fig. 9.4

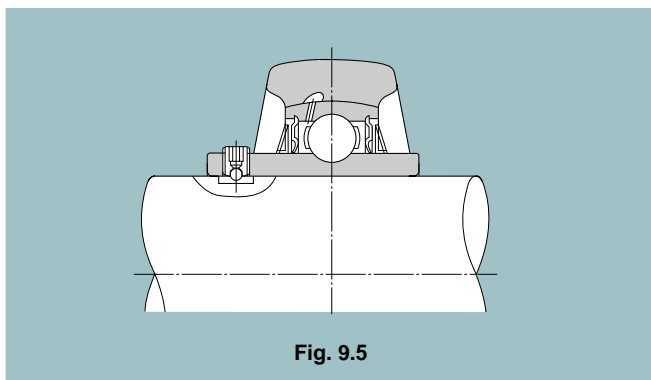


Fig. 9.5

- 2) Holding the unit at right angles to the shaft, insert the shaft into the bore of the bearing without twisting the bearing. Take care not to strike the slinger nor to subject the unit to any shock (Fig. 9.6).

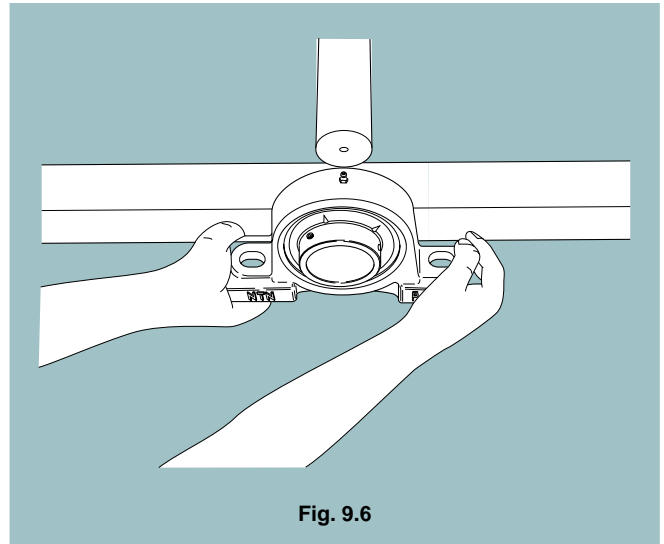


Fig. 9.6

- 3) Insert a hexagonal bar wrench securely into the hexagonal hole of the set screw, and tighten the two screws uniformly. Use the tightening torque shown in Table 9.2.

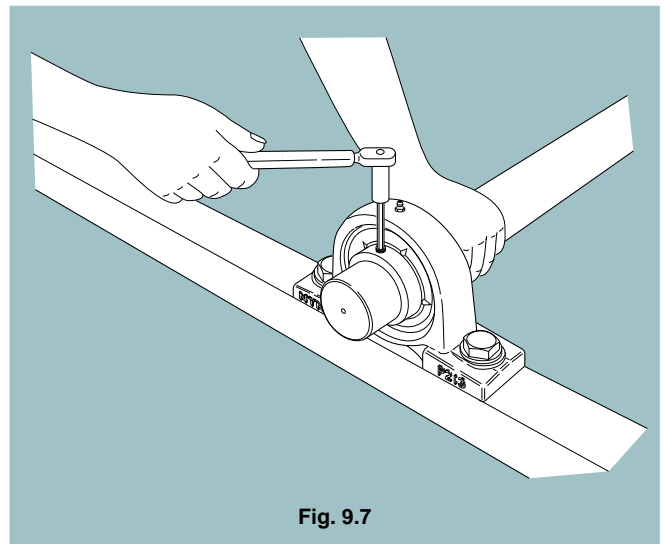


Fig. 9.7

- 4) Mount the housing securely in position on the machine. Sometimes the order of steps 3) and 4) is reversed.

Table 9.2 Recommended torques for tightening set screws

A) Metric series, applied to metric bore size.

Designation of the bearings of applicable units			Designation of set screws	Tightening torques N·m (max.)
UC201 to UC205			M 5×0.8 × 7	3.9
UC206		UC305 to UC306	M 6×0.75× 8	4.9
UC207	UCX05		M 6×0.75× 8	5.8
UC208 to UC210			M 8×1 ×10	7.8
UC211	UCX06 to UCX08	UC307	M 8×1 ×10	9.8
UC212	UCX09		M10×1.25×12	16.6
UC213 to UC215		UC308 to UC309	M10×1.25×12	19.6
UC216	UCX10		M10×1.25×12	22.5
	UCX11 to UCX12		M10×1.25×12	24.5
UC217 to UC218	UCX13 to UCX15	UC310 to UC314	M12×1.5 ×13	29.4
	UCX16 to UCX17		M12×1.5 ×13	34.3
	UCX18	UC315 to UC316	M14×1.5 ×15	34.3
	UCX20	UC317 to UC319	M16×1.5 ×18	53.9
		UC320 to UC324	M18×1.5 ×20	58.8
		UC326 to UC328	M20×1.5 ×25	78.4

Designation of the bearings of applicable units	Designation of set screws	Tightening torques N·m (max.)
AS201 to 205	M5×0.8 × 7	3.4
AS206	M6×0.75× 8	4.4
AS207	M6×0.75× 8	4.9
AS208	M8×1 ×10	6.8

B) Inch series, applied to inch bore size.

Designation of the bearings for the unit to which torques given are applicable			Designation of set screws	Tightening torques lbf· inch (max.)
UC201 to UC205			No.10-32UNF	34
UC206		UC305 to UC306	1/4-28UNF	43
UC207	UCX05		1/4-28UNF	52
UC208 to UC210			5/16-24UNF	69
UC211	UCX06 to UCX08	UC307	5/16-24UNF	86
UC212	UCX09		3/8-24UNF	147
UC213 to UC215		UC308 to UC309	3/8-24UNF	173
UC216	UCX10		3/8-24UNF	199
	UCX11 to UCX12		3/8-24UNF	216
UC217 to UC218	UCX13 to UCX15	UC310 to UC314	1/2-20UNF	260
	UCX16 to UCX17		1/2-20UNF	303
	UCX18	UC315 to UC316	9/16-18UNF	303
	UCX20	UC317 to UC319	5/8-18UNF	477
		UC320	5/8-18UNF	520

Designation of the bearings for the unit to which torques given are applicable	Designation of set screws	Tightening torques lbf· inch (max.)
AS201 to 205	No.10-32UNF	30
AS206	1/4-28UNF	39
AS207	1/4-28UNF	43
AS208	5/16-24UNF	60

9.2.2 Mounting the eccentric locking collar system unit

In this system, unlike the screw system, the shaft and inner ring are fastened together by fastening the eccentric collar in the direction of the rotation of the shaft. They are fastened together securely, and deformation of the inner ring seldom occurs. This system, however, is not recommended for applications where the direction of rotation is sometimes reversed.

Directions for mounting the unit are as follows :

- 1) Make certain that the frame in which the housing is to be mounted is suitable to the operating conditions with regard to rigidity, flatness, etc.
- 2) Make sure that the end of the shaft is not burred and that the end of the set screw in the eccentric collar is not protruding from the interior surface of the collar (Fig. 9.8).

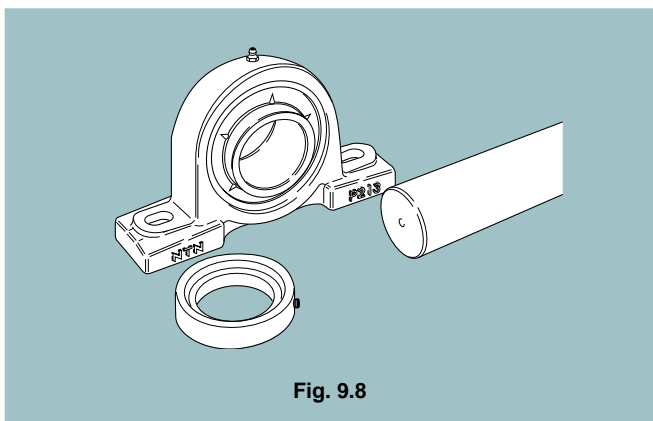


Fig. 9.8

- 3) Mount the housing of the unit securely onto the frame.
- 4) Determine the relative position of the unit and the shaft accurately so that the unit will not be subjected to any thrust, and then insert the eccentric collar (Fig. 9.9).

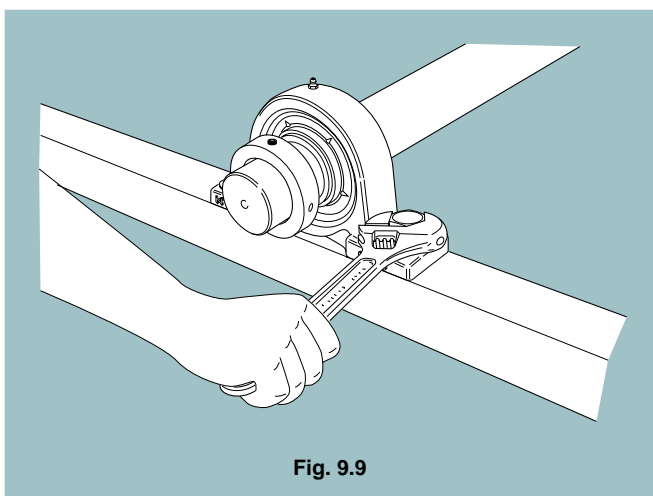


Fig. 9.9

- 5) Fit the eccentric circular ridge provided on the inner ring into the eccentric circular groove of the eccentric collar, and then provisionally tighten by turning the collar by hand in the direction of the shaft (Fig. 9.10).

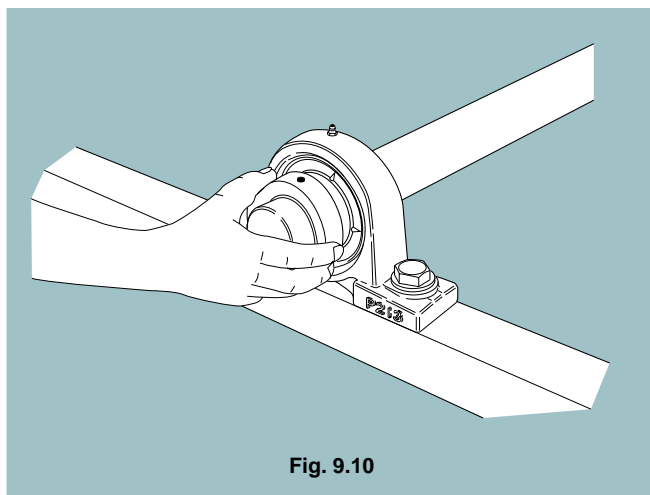


Fig. 9.10

- 6) Insert a bar into the hole provided on the periphery of the eccentric collar and tap the bar so that the collar turns in the direction of rotation of the shaft (see Fig. 9.11).

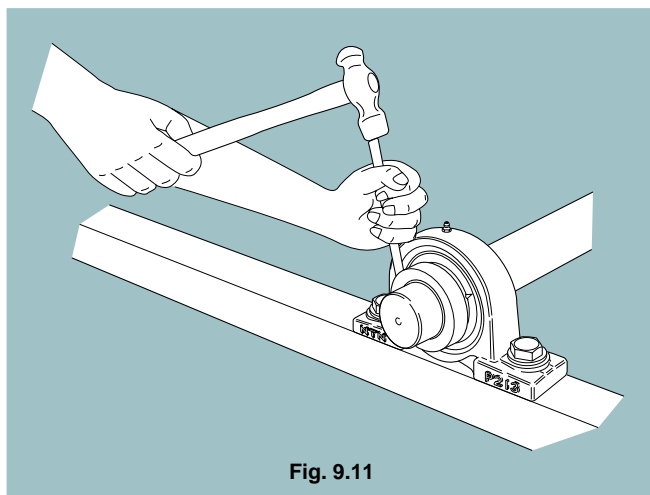


Fig. 9.11

- 7) Fasten the set screw of the eccentric collar onto the shaft. Recommended tightening torques are given in Table 9.3.

Table 9.3 Recommended torques for tightening set screws of the eccentric collar

A) Metric series, applied to metric bore size.

Designation of the bearings of applicable units		Designation of set screws	Tightening torques N·m (max.)	
	UEL204 to UEL205	AEL201 to AEL205	M 6×0.75× 8	7.8
UEL303 to UEL307	UEL206	AEL206	M 8×1 ×10	9.8
	UEL207	AEL207	M10×1.25×12	11.7
	UEL208 to UEL210	AEL208	M10×1.25×12	15.6
	UEL211		M10×1.25×12	19.6
UEL308 to UEL312	UEL212 to UEL215		M10×1.25×12	29.4
UEL313 to UEL314			M12×1.5 ×13	34.3
UEL315 to UEL317			M16×1.5 ×18	53.9
UEL318 to UEL320			M20×1.5 ×25	78.4

B) Inch series, applied to inch bore size.

Designation of the bearings for the unit to which torques given are applicable		Designation of set screws	Tightening torques lbf· inch (max.)	
	UEL204 to UEL205	AEL201 to AEL205	1/4-28UNF	69
UEL303 to UEL307	UEL206	AEL206	5/16-24UNF	86
	UEL207	AEL207	3/8-24UNF	104
	UEL208 to UEL210	AEL208	3/8-24UNF	138
	UEL211		3/8-24UNF	173
UEL308 to UEL312	UEL212 to UEL215		3/8-24UNF	260
UEL313 to UEL314			1/2-20UNF	350
UEL315 to UEL317			5/8-18UNF	520
UEL318 to UEL328			3/4-16UNF	700

9.2.3 Mounting of the adapter system unit

When an adapter system unit is used, there is no danger of the fit between the shaft and the inner ring working loose even if it is subjected to impact loads or vibration. Furthermore, straight shafts of h9 may be used under any operating conditions, except where there is a large axial load.

To mount the adapter system unit onto the shaft, the procedure is as follows:

- 1) Adjust the position of the sleeve so that the tapered part comes to about the center of the bearing. To facilitate the mounting of the sleeve onto the shaft, the opening in the sleeve can be widened using a screwdriver or similar implement. The sleeve should be positioned so that the nut is located on the opposite side from the pulley, etc., for easier handling (Fig. 9.12).

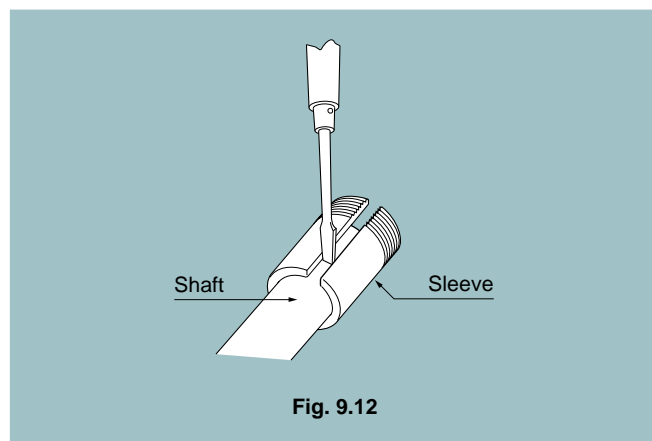


Fig. 9.12

- 2) Place the bearing unit with the tapered bore properly oriented on the sleeve and abut a cylindrical sleeve against the lock nut side face of the inner ring. Tap the adapter sleeve lightly over its entire periphery, as shown in Fig. 9.13, until a positive contact is made between the bearing and the sleeve.

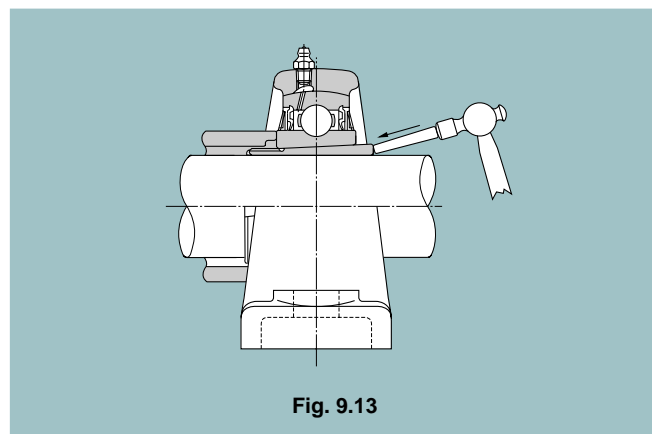


Fig. 9.13

- 3) Insert the washer and tighten the nut fully by hand.
- 4) Apply a jig (or screwdriver where no jig is available) to the notch of the nut and tap it with a hammer. Stop tapping after the nut has turned through from 60° to 90°. Be careful not to strike the slinger. Care should also be taken not to over-tighten the nut, as this will deform the inner ring, causing heat generation and seizure.
- 5) Bend up the tab on the rim of the washer, which is in line with the notch of the nut. This will prevent the nut from turning. The nut must not be turned backwards to bring the notch into line with the tab on the washer.
- 6) Mount the housing securely in position on the machine.

9.2.4 Mounting covered bearing units

For selection of the shaft, mounting the bearing onto the shaft and fitting the housing follow the same procedure as for standard bearing units. Furthermore, fitting the cover presents no special difficulty, with no need for special tools or jigs.

The procedure for mounting covered bearing units is as follows:

- 1) Remove the cover from the bearing unit. The steel cover can usually be removed easily by hand, but should there be any difficulty due to an over-tight fit, insert a screwdriver or similar tool in a twisting motion, as shown in Fig. 9.14.

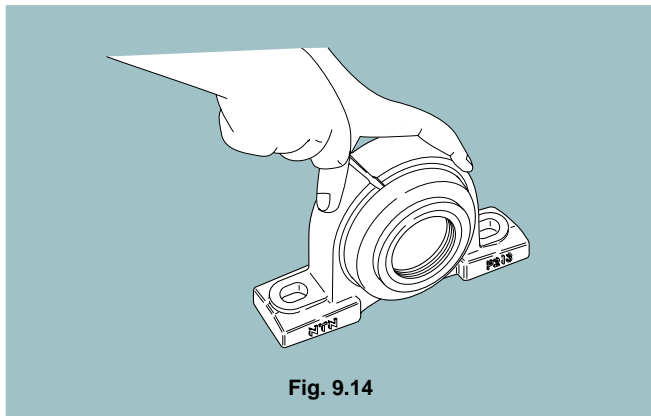


Fig. 9.14

- 2) In order to augment the dust and waterproofing effects, completely fill the space between the two lips of the rubber seal incorporated in the cover with grease, and apply grease to the inside of the cover, filling about two-thirds of the space. Cup grease is commonly used for this purpose (Fig. 9.15).

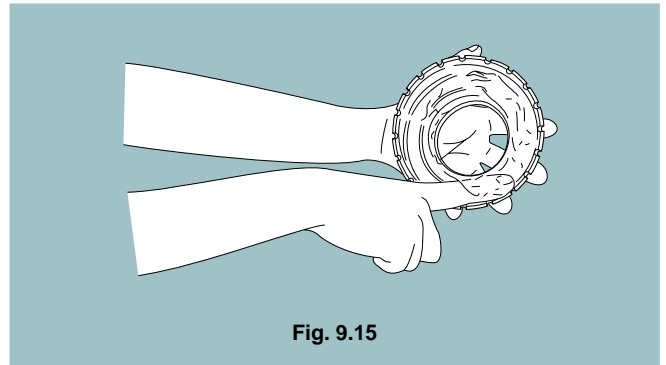


Fig. 9.15

- 3) First, pass one of the two grease-packed covers along the shaft, and then slide the bearing unit onto the shaft and fix the inner ring fast on the shaft before tightening the bolts holding the housing. Sometimes these steps are reversed for convenience of assembly. It is recommended that the end of the shaft be chamfered beforehand to avoid damaging the lips of the rubber seal.
- 4) Next take the cover which has been passed along the shaft and press it into the housing as follows: Be careful not to strike the surface of the steel cover directly with a steel hammer but use a synthetic resin or wood block in between. Do not strike only in one place but tap the cover all the way round until it is firmly seated in the housing. (Fig. 9.16)

The cast iron cover is fastened with three bolts.

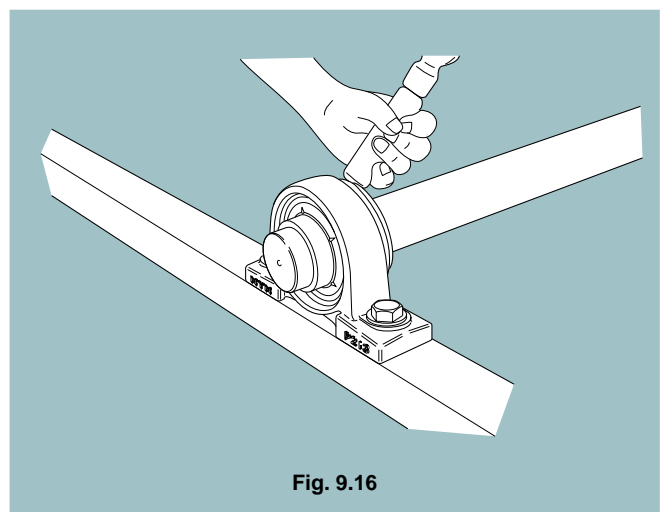


Fig. 9.16

- 5) Pack the second cover with grease as in step 2 and pass it along the shaft. In the case of a blind cover, the recess of the housing should be filled with grease (Fig. 9.15).
- 6) Fit the cover into the recess of the housing using the same procedure as detailed in Step 4) (Fig. 9.17).

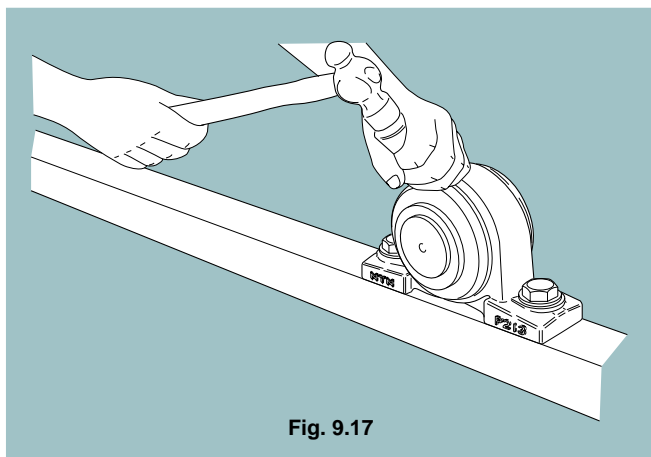


Fig. 9.17

9.3 Running tests

After mounting the bearing unit, check that it has been done correctly.

First, turn the shaft or the rotor by hand to make certain that it rotates smoothly. If there is no irregularity, start up the machine. Run the machine at low speed under no load and gradually bring it up to full operating speed while checking that there are no abnormalities.

Some indications of abnormality or faulty assembly are as follows:

When the shaft is turned by hand a resistance or drag is felt, or the shaft appears to become heavy or light in turn. Or, if the machine is running under power, any abnormal noise, vibration or overheating is evident.

9.4 Inspection during operation

Although the NTN lubrication-free bearing unit does not require refilling with grease while in use, periodic inspections are necessary to ensure safe operation of the unit's most important parts. While the interval between inspections varies from case to case, according to the degree of importance and the rate of operation, it is usually some time between two weeks and a month.

Since the inside of the bearing can be examined only by removing the slinger, seal etc., the condition of the bearing should be judged by checking for the presence of vibration, noise, overheating of the housing, etc., while the machine is running.

9.5 Dismounting the bearing unit

If some abnormality makes it necessary to dismount the bearing unit from the shaft in order to replace it, the procedure used to mount the bearing is followed in reverse order. In this case, special care should be given to the following points:

1) Set screw system units:

If the set screw is protruding into the bore of the bearing when the unit is withdrawn from the shaft, it will damage the shaft. Therefore the screw should be turned back fully.

2) Adapter system units:

To remove an adapter system bearing unit from the shaft, raise the tab of the washer, turn the nut two or three turns back, and apply a metal block to the nut and tap it with a hammer. Do this all round the nut, until the sleeve can be moved (Fig. 9.18).

If the nut is turned back too far and the screws are only slightly engaged, tapping to remove it will eventually ruin the screws.

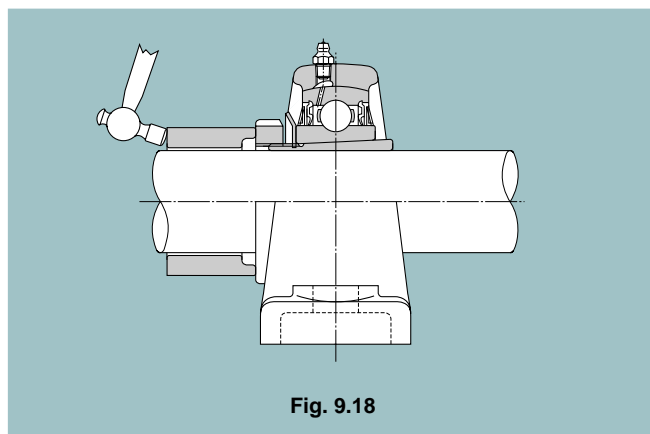


Fig. 9.18

9.6 Replacement of the bearing

If the bearing in the NTN bearing unit needs to be replaced, this can be carried out simply with a plummer block. There is no need to replace the housing, as it is reusable.

The bearing is changed using the following procedure: First, the set screw should be tightened as much as possible. Otherwise, there is a danger that it may catch in the housing when the bearing is tilted.

Next, insert the handle of a hammer or similar tool into the bore of the bearing and twist. Tilt the bearing through a full 90, and pull it in the direction of the notch on the housing to remove it. To install a new bearing in the housing, follow the same procedure in reverse.

Dimension Table

	PAGE		PAGE
Set screw type			
Pillow blocks cast housing		Mini stretcher	
UCP2 -----	46	ASPT2 -----	173
UCP3 -----	52	Take-up stretcher units	
UCPX -----	58	UCT2 -----	328
UCPL2 -----	62	Type L stretcher units	
UCHP2 -----	66	UCL2 -----	330
UCUP2 -----	70	Type M stretcher units	
ASPL2 -----	74	UCM2 -----	331
Pillow blocks pressed steel housing		UCM3 -----	332
ASPP2 -----	76		
ASRPP2 -----	78		
Flanged units cast housing		Eccentric locking collar type	
UCF2 -----	80	Pillow blocks cast housing	
UCF3 -----	86	UELPL2 -----	174
UCFX -----	92	UELHP2 -----	178
Flanged cartridge units cast housing		UELPL2 -----	184
UCFS3 -----	98	UELHP2 -----	188
UCFC2 -----	104	UELUP2 -----	190
UCFCX -----	110	AELPL2 -----	192
Flanged units cast housing		JELPL2 -----	194
UCFL2 -----	116	Pillow blocks pressed steel housing	
UCFL3 -----	122	AELPP2 -----	196
UCFLX -----	128	AELRPP2 -----	198
UCFA2 -----	130	Flanged units cast housing	
UCFH2 -----	134	UELFU2 -----	200
ASFD2 -----	138	UELF2 -----	204
Flanged units pressed steel housing		UELF3 -----	208
ASPF2 -----	140	Flanged cartridge units cast housing	
ASRPF2 -----	142	UELFS3 -----	214
ASPFL2 -----	144	UELFC2 -----	220
Hanger units cast housing		Flanged units cast housing	
UCHB2 -----	146	UELFLU2 -----	224
Take-up units cast housing		UELFL2 -----	228
UCT2 -----	150	UELFL3 -----	232
UCT3 -----	156	AELFD2 -----	238
UCTX -----	162	JELFD2 -----	239
Cylindrical cartridge units cast housing		Flanged units pressed steel housing	
UCC2 -----	166	AELPF2 -----	240
UCC3 -----	168	JELPF2 -----	242
UCCX -----	171	AELRPF2 -----	244
		AELPFL2 -----	246
		JELPFL2 -----	247

	PAGE
Take-up units cast housing	
UEL2 -----	248
UEL3 -----	252
Cylindrical cartridge units cast housing	
UELC2 -----	258
UELC3 -----	260
Mini stretcher	
AELPT2 -----	264
JELPT2 -----	264

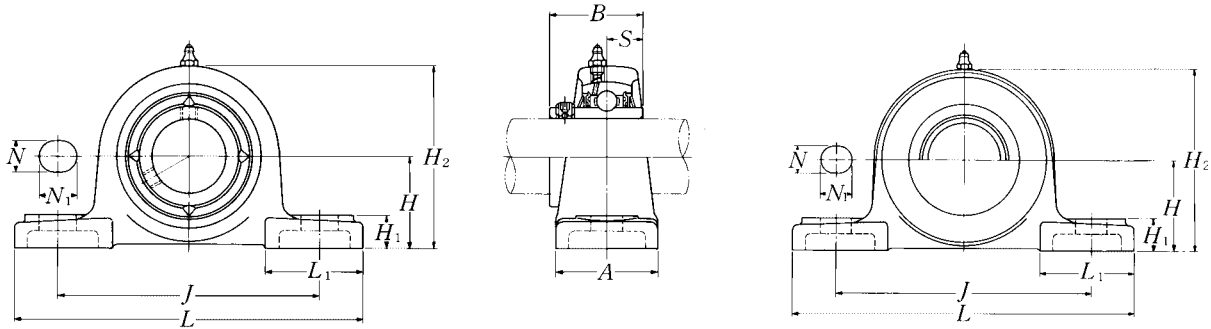
Adapter type

Pillow blocks cast housing	
UKP2 -----	266
UKP3 -----	270
UKPX -----	274
Flanged units cast housing	
UKF2 -----	278
UKF3 -----	282
UKFX -----	286
Flanged cartridge units cast housing	
UKFS3 -----	290
UKFC2 -----	294
UKFCX -----	298
Flanged units cast housing	
UKFL2 -----	302
UKFL3 -----	306
UKFLX -----	310
Take-up units cast housing	
UKT2 -----	312
UKT3 -----	316
UKTX -----	320
Cylindrical cartridge units cast housing	
UKC2 -----	324
UKC3 -----	325
UKCX -----	327

Ball bearings

	PAGE
Set screw type	
UC2 -----	334
UC3 -----	340
UCX -----	346
AS2 -----	350
AR2 -----	352
Eccentric locking collar type	
UEL2 -----	354
UEL3 -----	358
AEL2 -----	364
JEL2 -----	366
REL2 -----	368
Adapter type	
UK2 -----	372
UK3 -----	376
UKX -----	380
Other bearings	
UCS2 -----	384
UCS3 -----	388
ASS2 -----	394
UELS2 -----	396
UELS3 -----	400
AELS2 -----	406
JELS2 -----	408
CS2 -----	410
Farm implement bearings -----	412

Pillow blocks cast housing Set screw type



Pressed steel dust cover type

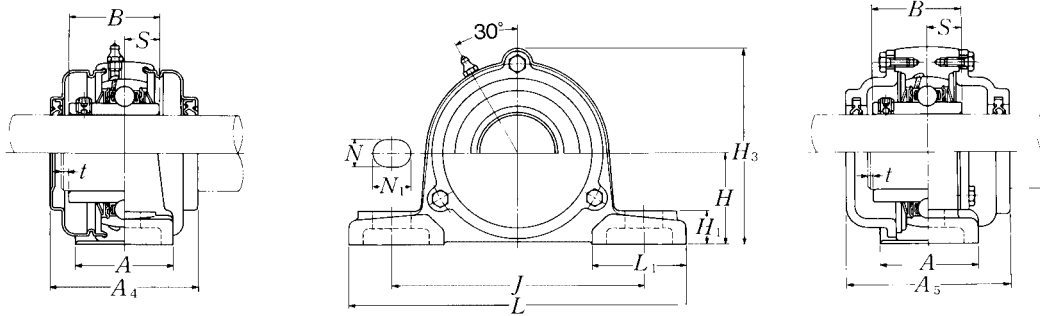
Open end: **S-UCP...D1**

Closed end: **SM-UCP...D1**

Shaft dia. mm inch	Unit number ¹⁾	Nominal dimensions											Bolt size mm inch	Bearing number
		H	L	J	A	N	N ₁	H ₁	H ₂	L ₁	B	S		
12 !2	UCP201D1 UCP201-008D1	30.2 1#7/6	127 5	95 3#4	38 1!2	13 !2	16 %8	14 (7/16	62 2&7/16	42 1@!32	31 1.2205	12.7 0.500	M10 #8	UC201D1 UC201-008D1
15 (7/16 %8	UCP202D1 UCP202-009D1 UCP202-010D1	30.2 1#7/6	127 5	95 3#4	38 1!2	13 !2	16 %8	14 (7/16	62 2&7/16	42 1@!32	31 1.2205	12.7 0.500	M10 #8	UC202D1 UC202-009D1 UC202-010D1
17 !!7/6	UCP203D1 UCP203-011D1	30.2 1#7/6	127 5	95 3#4	38 1!2	13 !2	16 %8	14 (7/16	62 2&7/16	42 1@!32	31 1.2205	12.7 0.500	M10 #8	UC203D1 UC203-011D1
20 ##	UCP204D1 UCP204-012D1	33.3 1#7/6	127 5	95 3#4	38 1!2	13 !2	16 %8	14 (7/16	65 2(7/16	42 1@!32	31 1.2205	12.7 0.500	M10 #8	UC204D1 UC204-012D1
25 !#7/6 &8 !%7/6 1	UCP205D1 UCP205-013D1 UCP205-014D1 UCP205-015D1 UCP205-100D1	36.5 1&7/6	140 5!2	105 4!8	38 1!2	13 !2	16 %8	15 !(32	71 2@%32	42 1@!32	34.1 1.3425	14.3 0.563	M10 #8	UC205D1 UC205-013D1 UC205-014D1 UC205-015D1 UC205-100D1
30 1!7/6 1!8 1#7/6 1!4	UCP206D1 UCP206-101D1 UCP206-102D1 UCP206-103D1 UCP206-104D1	42.9 1!!7/6	165 6!2	121 4##	48 1&8	17 @!32	20 @%32	17 @!32	83 3(32	54 2!8	38.1 1.5000	15.9 0.626	M14 !2	UC206D1 UC206-101D1 UC206-102D1 UC206-103D1 UC206-104D1
35 1!4 1%7/6 1#8 1&7/6	UCP207D1 UCP207-104D1 UCP207-105D1 UCP207-106D1 UCP207-107D1	47.6 1&8	167 6(7/16	127 5	48 1&8	17 @!32	20 @%32	18 @#32	93 3@!32	54 2!8	42.9 1.6890	17.5 0.689	M14 !2	UC207D1 UC207-104D1 UC207-105D1 UC207-106D1 UC207-107D1
40 1!2 1(7/16	UCP208D1 UCP208-108D1 UCP208-109D1	49.2 1!%7/6	184 7!4	137 5!#32	54 2!8	17 @!32	20 @%32	18 @#32	98 3@%32	52 2!7/16	49.2 1.9370	19 0.748	M14 !2	UC208D1 UC208-108D1 UC208-109D1
45 1%8 1!!7/6 1#4	UCP209D1 UCP209-110D1 UCP209-111D1 UCP209-112D1	54 2!8	190 7!%32	146 5#4	54 2!8	17 @!32	20 @%32	20 @%32	106 4#7/16	60 2#8	49.2 1.9370	19 0.748	M14 !2	UC209D1 UC209-110D1 UC209-111D1 UC209-112D1

Remarks: 1) These numbers indicate relubricatable type. If maintenance free type is needed, please order without suffix "D1".

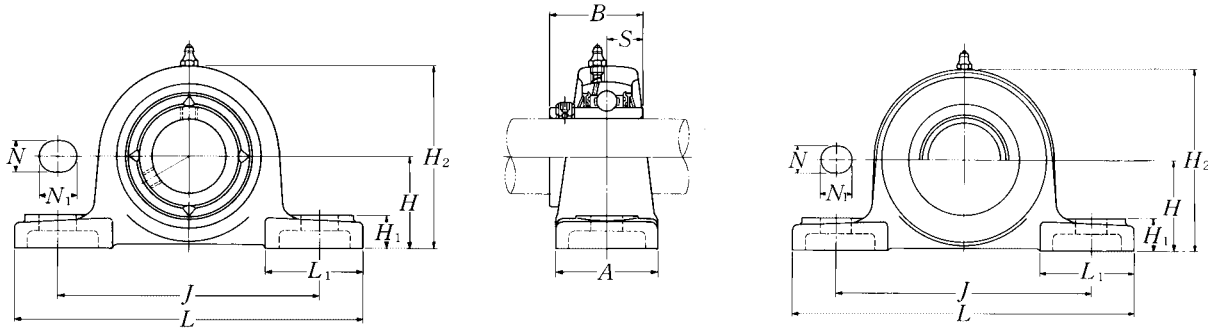
Note: Please refer to page 25 for size of grease fitting.



Cast dust cover type
 Open end: **C-UCP...D1**
 Closed end: **CM-UCP...D1**

Housing number	Unit number pressed steel dust cover type	Unit number cast dust cover type	Nominal dimensions				Mass of unit		
			t max.	mm A ₄	inch H ₃	A ₅	kg UCP	lb S(SM)	lb C(CM)
P203D1	S(SM)-UCP201D1	C(CM)-UCP201D1	2	51	67	62	0.7	0.7	1.0
P203D1	S(SM)-UCP201-008D1	C(CM)-UCP201-008D1	1/64	2	2 1/64	2 7/16	1.5	1.5	2.2
P203D1	S(SM)-UCP202D1	C(CM)-UCP202D1	2	51	67	62	0.7	0.7	1.0
P203D1	S(SM)-UCP202-009D1	C(CM)-UCP202-009D1	1/64	2	2 1/64	2 7/16	1.5	1.5	2.2
P203D1	S(SM)-UCP202-010D1	C(CM)-UCP202-010D1	1/64	2	2 1/64	2 7/16	1.5	1.5	2.2
P203D1	S(SM)-UCP203D1	C(CM)-UCP203D1	2	51	67	62	0.7	0.7	1.0
P203D1	S(SM)-UCP203-011D1	C(CM)-UCP203-011D1	1/64	2	2 1/64	2 7/16	1.5	1.5	2.2
P204D1	S(SM)-UCP204D1	C(CM)-UCP204D1	2	51	70	62	0.7	0.7	1.0
P204D1	S(SM)-UCP204-012D1	C(CM)-UCP204-012D1	1/64	2	2 7/4	2 7/16	1.5	1.5	2.2
P205D1	S(SM)-UCP205D1	C(CM)-UCP205D1	2	57	76	70	0.8	0.9	1.2
P205D1	S(SM)-UCP205-013D1	C(CM)-UCP205-013D1	1/64	2 1/4	3	2 7/4	1.8	2.0	2.6
P205D1	S(SM)-UCP205-014D1	C(CM)-UCP205-014D1	1/64	2 1/4	3	2 7/4	1.8	2.0	2.6
P205D1	S(SM)-UCP205-015D1	C(CM)-UCP205-015D1	1/64	2 1/4	3	2 7/4	1.8	2.0	2.6
P205D1	S(SM)-UCP205-100D1	C(CM)-UCP205-100D1	1/64	2 1/4	3	2 7/4	1.8	2.0	2.6
P206D1	S(SM)-UCP206D1	C(CM)-UCP206D1	2	62	88	75	1.3	1.4	1.9
P206D1	S(SM)-UCP206-101D1	C(CM)-UCP206-101D1	1/64	2 7/16	3 1/32	2 1/716	2.9	3.1	4.2
P206D1	S(SM)-UCP206-102D1	C(CM)-UCP206-102D1	1/64	2 7/16	3 1/32	2 1/716	2.9	3.1	4.2
P206D1	S(SM)-UCP206-103D1	C(CM)-UCP206-103D1	1/64	2 7/16	3 1/32	2 1/716	2.9	3.1	4.2
P206D1	S(SM)-UCP206-103D1	C(CM)-UCP206-103D1	1/64	2 7/16	3 1/32	2 1/716	2.9	3.1	4.2
P207D1	S(SM)-UCP207D1	C(CM)-UCP207D1	3	72	99	80	1.6	1.7	2.3
P207D1	S(SM)-UCP207-104D1	C(CM)-UCP207-104D1	1/8	2 9/32	3 9/32	3 3/32	3.5	3.7	5.1
P207D1	S(SM)-UCP207-105D1	C(CM)-UCP207-105D1	1/8	2 9/32	3 9/32	3 3/32	3.5	3.7	5.1
P207D1	S(SM)-UCP207-106D1	C(CM)-UCP207-106D1	1/8	2 9/32	3 9/32	3 3/32	3.5	3.7	5.1
P207D1	S(SM)-UCP207-106D1	C(CM)-UCP207-106D1	1/8	2 9/32	3 9/32	3 3/32	3.5	3.7	5.1
P208D1	S(SM)-UCP208D1	C(CM)-UCP208D1	3	82	105	90	1.9	2.1	3.2
P208D1	S(SM)-UCP208-108D1	C(CM)-UCP208-108D1	1/8	3 3/32	4 1/8	3 1/32	4.2	4.6	7.1
P208D1	S(SM)-UCP208-109D1	C(CM)-UCP208-109D1	1/8	3 3/32	4 1/8	3 1/32	4.2	4.6	7.1
P209D1	S(SM)-UCP209D1	C(CM)-UCP209D1	3	82	113	95	2.2	2.4	3.5
P209D1	S(SM)-UCP209-110D1	C(CM)-UCP209-110D1	1/8	3 3/32	4 7/16	3 7/4	4.9	5.3	7.7
P209D1	S(SM)-UCP209-111D1	C(CM)-UCP209-111D1	1/8	3 3/32	4 7/16	3 7/4	4.9	5.3	7.7
P209D1	S(SM)-UCP209-112D1	C(CM)-UCP209-112D1	1/8	3 3/32	4 7/16	3 7/4	4.9	5.3	7.7

Pillow blocks cast housing Set screw type



Pressed steel dust cover type

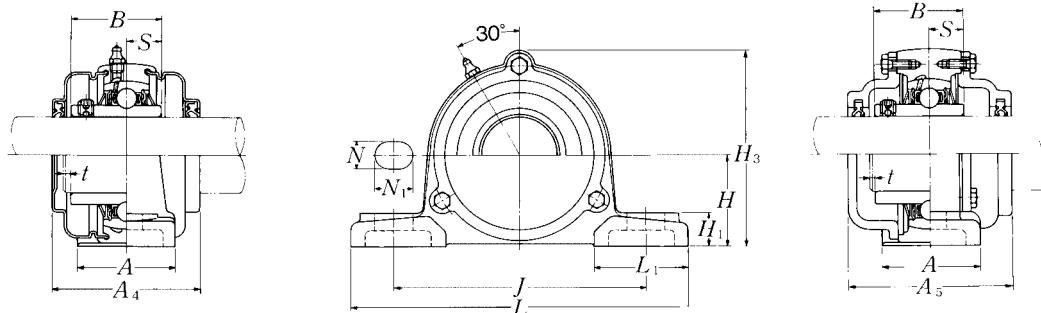
Open end: **S-UCP...D1**

Closed end: **SM-UCP...D1**

Shaft dia.	Unit number ¹⁾	Nominal dimensions											Bolt size	Bearing number
		mm					inch							
mm inch		H	L	J	A	N	N ₁	H ₁	H ₂	L ₁	B	S	mm inch	
50	UCP210D1	57.2	206	159	60	20	23	21	114	65	51.6	19	M16	UC210D1
1!#716	UCP210-113D1													UC210-113D1
1&8	UCP210-114D1	2!4	8!8	6!4	2#8	@%32	@(32	!#716	4!2	2(716	2.0315	0.748	%8	UC210-114D1
1!%716	UCP210-115D1													UC210-115D1
2	UCP210-200D1													UC210-200D1
55	UCP211D1	63.5	219	171	60	20	23	23	126	65	55.6	22.2	M16	UC211D1
2	UCP211-200D1													UC211-200D1
2!716	UCP211-201D1	2!2	8%8	6@#32	2#8	@%32	@(32	@(32	4#132	2(716	2.1890	0.874	%8	UC211-201D1
2!8	UCP211-202D1													UC211-202D1
2#716	UCP211-203D1													UC211-203D1
60	UCP212D1	69.8	241	184	70	20	23	25	138	70	65.1	25.4	M16	UC212D1
2!4	UCP212-204D1													UC212-204D1
2%716	UCP212-205D1	2#4	9!2	7!4	2#4	@%32	@(32	#132	5&716	2#4	2.5630	1.000	5%8	UC212-205D1
2#8	UCP212-206D1													UC212-206D1
2&716	UCP212-207D1													UC212-207D1
65	UCP213D1	76.2	265	203	70	25	28	27	151	77	65.1	25.4	M20	UC213D1
2!2	UCP213-208D1													UC213-208D1
2(716	UCP213-209D1	3	10&716	8	2#4	#132	1#32	1!716	5!%716	3!32	2.5630	1.000	#4	UC213-209D1
70	UCP214D1	79.4	266	210	72	25	28	27	157	77	74.6	30.2	M20	UC214D1
2%8	UCP214-210D1													UC214-210D1
2!1716	UCP214-211D1	3!8	10!%32	8(32	2&&32	#132	1#32	1!716	6#716	3!32	2.9370	1.189	#4	UC214-211D1
2#4	UCP214-212D1													UC214-212D1
75	UCP215D1	82.6	275	217	74	25	28	28	163	80	77.8	33.3	M20	UC215D1
2!#716	UCP215-213D1													UC215-213D1
2&8	UCP215-214D1	3!4	10!#716	8!&32	2@32	#132	1#32	1#32	6!#32	3%32	3.0630	1.311	#4	UC215-214D1
2!%716	UCP215-215D1													UC215-215D1
3	UCP215-300D1													UC215-300D1
80	UCP216D1	88.9	292	232	78	25	28	30	175	85	82.6	33.3	M20	UC216D1
3!716	UCP216-301D1													UC216-301D1
3!8	UCP216-302D1	3!2	11!2	9!8	3!716	#132	1#32	1#716	6&8	3!132	3.2520	1.311	#4	UC216-302D1
3#716	UCP216-303D1													UC216-303D1

Remarks: 1) These numbers indicate relubricatable type. If maintenance free type is needed, please order without suffix "D1".

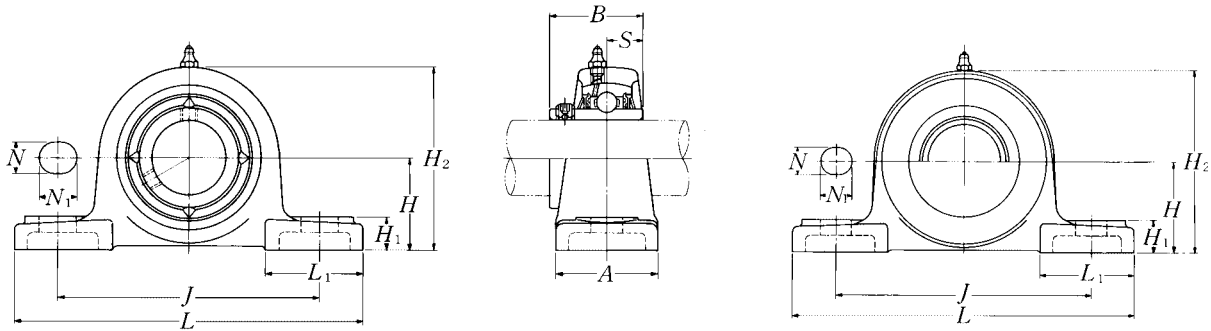
Note: Please refer to page 25 for size of grease fitting.



Cast dust cover type
 Open end: **C-UCP...D1**
 Closed end: **CM-UCP...D1**

Housing number	Unit number pressed steel dust cover type	Unit number cast dust cover type	Nominal dimensions				Mass of unit		
			t max.	mm A ₄	inch H ₃	A ₅	kg UCP	lb S(SM)	lb C(CM)
P210D1	S(SM)-UCP210D1	C(CM)-UCP210D1	3	87	119	100	2.6	2.8	4.3
P210D1	S(SM)-UCP210-113D1	C(CM)-UCP210-113D1	1/8	3 3/16	4 1/16	3 1/16	5.7	6.2	9.5
P210D1	S(SM)-UCP210-114D1	C(CM)-UCP210-114D1							
P210D1	S(SM)-UCP210-115D1	C(CM)-UCP210-115D1							
P211D1	S(SM)-UCP211D1	C(CM)-UCP211D1	4	92	130	100	3.3	3.6	5.2
P211D1	S(SM)-UCP211-200D1	C(CM)-UCP211-200D1	3/32	3 3/8	5 1/8	3 1/16	7.3	7.9	11
P211D1	S(SM)-UCP211-201D1	C(CM)-UCP211-201D1							
P211D1	S(SM)-UCP211-202D1	C(CM)-UCP211-202D1							
P211D1	S(SM)-UCP211-203D1	C(CM)-UCP211-203D1							
P212D1	S(SM)-UCP212D1	C(CM)-UCP212D1	4	102	143	115	4.6	5.0	6.7
P212D1	S(SM)-UCP212-204D1	C(CM)-UCP212-204D1	3/32	4 1/32	5 3/8	4 1/32	10	11	15
P212D1	S(SM)-UCP212-205D1	C(CM)-UCP212-205D1							
P212D1	S(SM)-UCP212-206D1	C(CM)-UCP212-206D1							
P212D1									
P213D1	S(SM)-UCP213D1	C(CM)-UCP213D1	4	107	155	120	5.9	6.3	7.8
P213D1	S(SM)-UCP213-208D1	C(CM)-UCP211-208D1	3/32	4 3/32	6 3/32	4 3/32	13	14	17
P213D1	S(SM)-UCP213-209D1	C(CM)-UCP213-209D1							
P214D1		C(CM)-UCP214D1	4		162	135	6.6		9.3
P214D1		C(CM)-UCP214-210D1	3/32		6 3/8	5 1/16	15		21
P214D1		C(CM)-UCP214-211D1							
P214D1		C(CM)-UCP214-212D1							
P215D1		C(CM)-UCP215D1	4		168	135	7.4		11
P215D1		C(CM)-UCP215-213D1	3/32		6 3/8	5 1/16	16		24
P215D1		C(CM)-UCP215-214D1							
P215D1		C(CM)-UCP215-215D1							
P215D1		C(CM)-UCP215-300D1							
P216D1		C(CM)-UCP216D1	4		181	145	9.0		13
P216D1		C(CM)-UCP216-301D1	3/32		7 1/8	5 3/32	20		29
P216D1		C(CM)-UCP216-302D1							
P216D1		C(CM)-UCP216-303D1							

Pillow blocks cast housing Set screw type



Pressed steel dust cover type

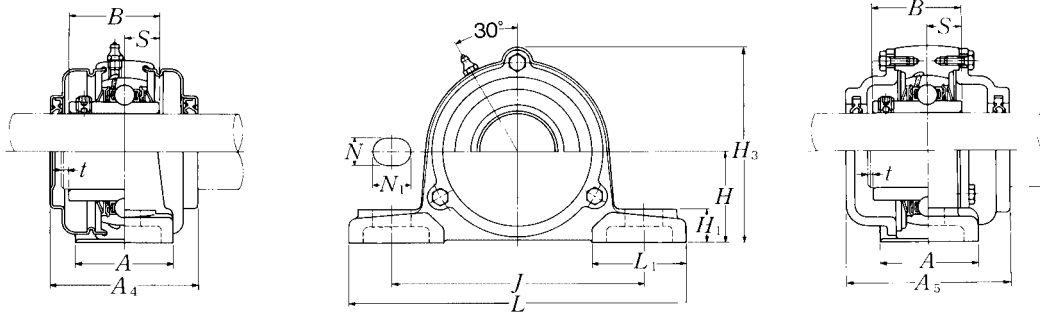
Open end: **S-UCP...D1**

Closed end: **SM-UCP...D1**

Shaft dia.	Unit number ¹⁾	Nominal dimensions											Bolt size	Bearing number
		mm					inch							
		<i>H</i>	<i>L</i>	<i>J</i>	<i>A</i>	<i>N</i>	<i>N₁</i>	<i>H₁</i>	<i>H₂</i>	<i>L₁</i>	<i>B</i>	<i>S</i>		
85 3 1/4	UCP217D1 UCP217-304D1	95.2	310	247	83	25	28	32	187	85	85.7	34.1	M20	UC217D1 UC217-304D1
3 3/16 3 7/16	UCP217-305D1 UCP217-307D1	3 #4	12 & 3/8	9 #3/32	3 (3/32)	#1 3/32	1 #3/32	1 1/4	7 #8	3 1/32	3.3740	1.343	#4	UC217-305D1 UC217-307D1
90 3 1/2	UCP218D1 UCP218-308D1	101.6	327	262	88	27	30	33	200	90	96	39.7	M22	UC218D1 UC218-308D1
		4	12 & 3/8	10 #1/16	3 1/32	1 1/16	1 #1/16	1 3/16	7 & 3/8	3 1/32	3.7795	1.563	#8	

Remarks: 1) These numbers indicate relubricatable type. If maintenance free type is needed, please order without suffix "D1".

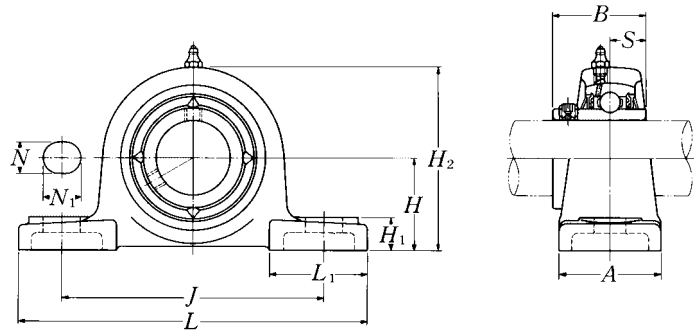
Note: Please refer to page 25 for size of grease fitting.



Cast dust cover type
 Open end: **C-UCP...D1**
 Closed end: **CM-UCP...D1**

Housing number	Unit number pressed steel dust cover type	Unit number cast dust cover type	Nominal dimensions			Mass of unit			
			t max.	mm A ₄	inch H ₃	A ₅	kg UCP	lb S(SM)	C(CM)
P217D1		C(CM)-UCP217D1	5		191	155	11		15
P217D1		C(CM)-UCP217-304D1							
P217D1		C(CM)-UCP217-305D1	1/16		7 1/32	6 3/32	24		33
P217D1		C(CM)-UCP217-307D1							
P218D1		C(CM)-UCP218D1	5		204	165	13		18
P218D1		C(CM) UCP218-308D1	1/16		8 1/32	6 1/2	29		40

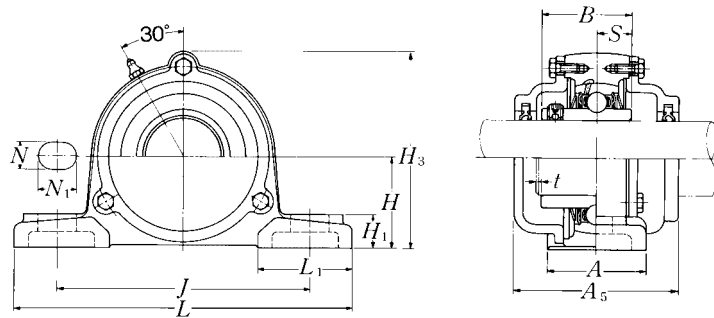
Pillow blocks cast housing Set screw type



Shaft dia.	Unit number ¹⁾	Nominal dimensions											Bolt size	Bearing number
		mm		inch		mm		inch		mm		inch		
mm inch		H	L	J	A	N	N ₁	H ₁	H ₂	L ₁	B	S	mm inch	
25 1#7/16 &8 1#7/16 1	UCP305D1 UCP305-013D1 UCP305-014D1 UCP305-015D1 UCP305-100D1	45 1 3/4	175 6 7/8	132 5 1/16	45 1 3/32	17 2/32	20 3/32	15 1/32	85 3 1/32	54 2 1/8	38 1.4961	15 0.591	M14 1/2	UC305D1 UC305-013D1 UC305-014D1 UC305-015D1 UC305-100D1
30 1 1/16 1 1/8 1#7/16	UCP306D1 UCP306-101D1 UCP306-102D1 UCP306-103D1	50 1 7/8	180 7 1/8	140 5 1/2	50 1 7/32	17 2/32	20 3/32	18 3/4	95 3 3/4	54 2 1/8	43 1.6929	17 0.669	M14 1/2	UC306D1 UC306-101D1 UC306-102D1 UC306-103D1
35 1 1/4 1 3/16 1#7/8 1#7/16	UCP307D1 UCP307-104D1 UCP307-105D1 UCP307-106D1 UCP307-107D1	56 2 1/8	210 8 1/32	160 6 1/16	56 2 3/32	17 2/32	25 3/32	20 4#7/16	106 4 1/16	60 2#8	48 1.8898	19 0.748	M14 1/2	UC307D1 UC307-104D1 UC307-105D1 UC307-106D1 UC307-107D1
40 1 1/2 1 7/16	UCP308D1 UCP308-108D1 UCP308-109D1	60 2 3/8	220 8 1/32	170 6 1/16	60 2#8	17 2/32	27 1 1/16	22 8/8	116 4 7/16	60 2#8	52 2.0472	19 0.748	M14 1/2	UC308D1 UC308-108D1 UC308-109D1
45 1 3/8 1 1/16 1#7/4	UCP309D1 UCP309-110D1 UCP309-111D1 UCP309-112D1	67 2 5/8	245 9 1/32	190 7 1/32	67 2#8	20 3/32	30 1#7/16	24 1 1/16	129 5#3/32	65 2 7/16	57 2.2441	22 0.866	M16 3/8	UC309D1 UC309-110D1 UC309-111D1 UC309-112D1
50 1 1/16 1 3/8 1 1/16	UCP310D1 UCP310-113D1 UCP310-114D1 UCP310-115D1	75 2 1/8	275 10 1/16	212 8 1/32	75 2 1/16	20 3/32	35 1#8	27 1 1/16	143 5#8	75 2 1/16	61 2.4016	22 0.866	M16 3/8	UC310D1 UC310-113D1 UC310-114D1 UC310-115D1
55 2 2 1/16 2 1/8 2#7/16	UCP311D1 UCP311-200D1 UCP311-201D1 UCP311-202D1 UCP311-203D1	80 3#3/32	310 12 3/32	236 9 3/32	80 3#3/32	20 3/32	38 1 1/2	30 1#7/16	154 6 1/16	85 3 1/32	66 2.5984	25 0.984	M16 3/8	UC311D1 UC311-200D1 UC311-201D1 UC311-202D1 UC311-203D1

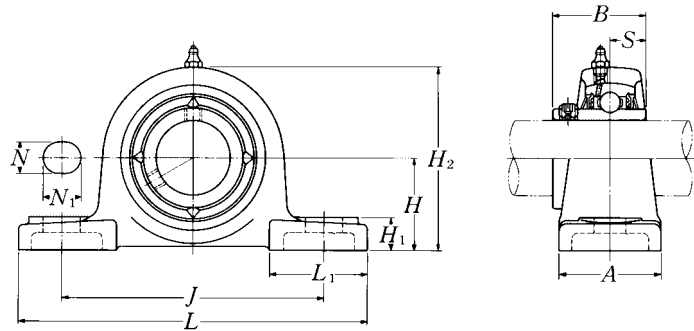
Remarks: 1) These numbers indicate relubricatable type. If maintenance free type is needed, please order without suffix "D1".

Note: Please refer to page 25 for size of grease fitting.

**Cast dust cover type**Open end: **C-UCP...D1**Closed end: **CM-UCP...D1**

Housing number	Unit number cast dust cover type	Nominal dimensions			Mass of unit	
		mm		inch	kg	lb
		<i>t</i> max.	<i>H</i> ₃	<i>A</i> ₅	UCP	C(CM)
P305D1	C(CM)-UCP305D1	2	91	80	1.4	2.2
P305D1	C(CM)-UCP305-013D1					
P305D1	C(CM)-UCP305-014D1	3/64	3/32	3/32	3.1	4.9
P305D1	C(CM)-UCP305-015D1					
P305D1	C(CM)-UCP305-100D1					
P306D1	C(CM)-UCP306D1	2	105	85	1.8	2.7
P306D1	C(CM)-UCP306-101D1					
P306D1	C(CM)-UCP306-102D1	3/64	4/32	3/32	4.0	6.0
P306D1	C(CM)-UCP306-103D1					
P307D1	C(CM)-UCP307D1	3	115	95	2.8	3.5
P307D1	C(CM)-UCP307-104D1					
P307D1	C(CM)-UCP307-105D1	1/8	4/32	3/4	6.2	7.7
P307D1	C(CM)-UCP307-106D1					
P307D1	C(CM)-UCP307-107D1					
P308D1	C(CM)-UCP308D1	3	125	105	3.0	4.5
P308D1	C(CM)-UCP308-108D1	1/8	4/32	4/8	6.6	9.9
P308D1	C(CM)-UCP308-109D1					
P309D1	C(CM)-UCP309D1	3	140	110	4.1	6.1
P309D1	C(CM)-UCP309-110D1					
P309D1	C(CM)-UCP309-111D1	1/8	5/32	4/32	9.0	13
P309D1	C(CM)-UCP309-112D1					
P310D1	C(CM)-UCP310D1	3	156	120	5.8	8.4
P310D1	C(CM)-UCP310-113D1					
P310D1	C(CM)-UCP310-114D1	1/8	6/32	4/32	13	19
P310D1	C(CM)-UCP310-115D1					
P311D1	C(CM)-UCP311D1	4	166	125	7.4	9.7
P311D1	C(CM)-UCP311-200D1					
P311D1	C(CM)-UCP311-201D1	3/32	6/32	4/32	16	21
P311D1	C(CM)-UCP311-202D1					
P311D1	C(CM)-UCP311-203D1					

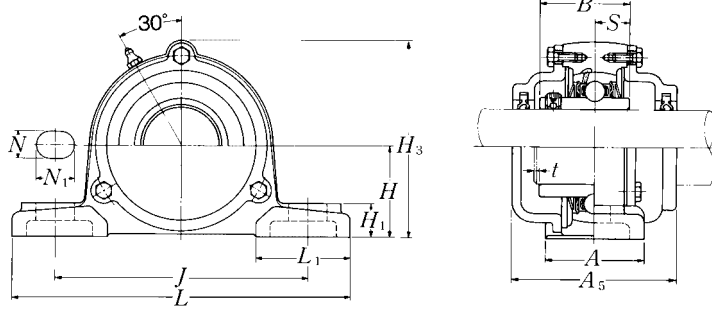
Pillow blocks cast housing
Set screw type



Shaft dia.	Unit number ¹⁾	Nominal dimensions											Bolt size	Bearing number
		mm					inch							
		H	L	J	A	N	N ₁	H ₁	H ₂	L ₁	B	S		
60 2 1/4 2 2/16 2 3/8 2 7/16	UCP312D1 UCP312-204D1 UCP312-205D1 UCP312-206D1 UCP312-207D1	85 3 1/8	330 13	250 9 7/8	85 3 1/8	25 1 1/8	38 1 1/2	32 1 1/4	165 6 1/2	95 3 7/8	71 2.7953	26 1.024	M20 #4	UC312D1 UC312-204D1 UC312-205D1 UC312-206D1 UC312-207D1
65 2 1/2 2 7/16	UCP313D1 UCP313-208D1 UCP313-209D1	90 3 5/8	340 13 3/8	260 10 1/4	90 3 1/8	25 1 1/8	38 1 1/2	33 1 1/16	176 6 11/16	105 4 1/8	75 2.9528	30 1.181	M20 #4	UC313D1 UC313-208D1 UC313-209D1
70 2 3/8 2 11/16 2 3/4	UCP314D1 UCP314-210D1 UCP314-211D1 UCP314-212D1	95 3 7/8	360 14 1/16	280 11 1/8	90 3 1/8	27 1 1/16	40 1 1/2	35 1 3/8	187 7 3/8	105 4 1/8	78 3.0709	33 1.299	M22 #8	UC314D1 UC314-210D1 UC314-211D1 UC314-212D1
75 2 1/16 2 3/8 2 1/16 3	UCP315D1 UCP315-213D1 UCP315-214D1 UCP315-215D1 UCP315-300D1	100 3 1/16	380 14 3/8	290 11 1/8	100 3 1/16	27 1 1/16	40 1 1/2	35 1 3/8	198 7 7/8	110 4 1/8	82 3.2283	32 1.260	M22 #8	UC315D1 UC315-213D1 UC315-214D1 UC315-215D1 UC315-300D1
80 3 1/16 3 1/8 3 7/16	UCP316D1 UCP316-301D1 UCP316-302D1 UCP316-303D1	106 4 1/8	400 15 3/4	300 11 1/8	110 4 1/8	27 1 1/16	40 1 1/2	40 1 1/2	210 8 3/8	110 4 1/8	86 3.3858	34 1.339	M22 #8	UC316D1 UC316-301D1 UC316-302D1 UC316-303D1
85 3 1/4 3 2/16 3 7/16	UCP317D1 UCP317-304D1 UCP317-305D1 UCP317-307D1	112 4 1/8	420 16 1/8	320 12 1/8	110 4 1/8	33 1 1/16	45 1 3/8	40 1 1/2	220 8 7/8	120 4 3/8	96 3.7795	40 1.575	M27 1	UC317D1 UC317-304D1 UC317-305D1 UC317-307D1
90 3 7/16 3 1/2	UCP318D1 UCP318-307D1 UCP318-308D1	118 4 5/8	430 16 1/16	330 13	110 4 1/8	33 1 1/16	45 1 3/8	45 1 3/8	235 9 1/4	120 4 3/8	96 3.7795	40 1.575	M27 1	UC318D1 UC318-307D1 UC318-308D1

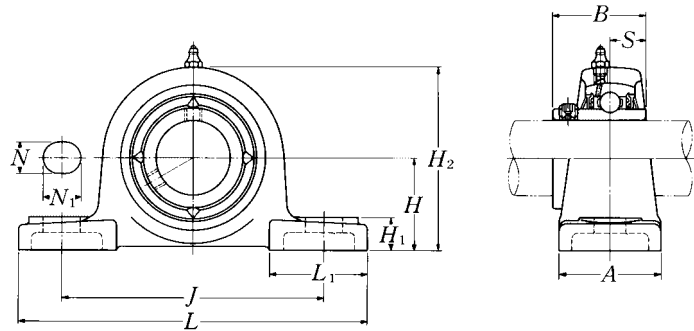
Remarks: 1) These numbers indicate relubricatable type. If maintenance free type is needed, please order without suffix "D1".

Note: Please refer to page 25 for size of grease fitting.

**Cast dust cover type**Open end: **C-UCP...D1**Closed end: **CM-UCP...D1**

Housing number	Unit number cast dust cover type	Nominal dimensions			Mass of unit	
		mm		inch	kg	lb
		t max.	H_3	A_5	UCP	C(CM)
P312D1	C(CM)-UCP312D1	4	179	135	9.4	12
P312D1	C(CM)-UCP312-204D1					
P312D1	C(CM)-UCP312-205D1	$\frac{3}{32}$	$7\frac{1}{16}$	$5\frac{7}{16}$	21	26
P312D1	C(CM)-UCP312-206D1					
P312D1	C(CM)-UCP312-207D1					
P313D1	C(CM)-UCP313D1	4	190	140	10	15
P313D1	C(CM)-UCP313-208D1	$\frac{3}{32}$	$7\frac{1}{32}$	$5\frac{1}{2}$	22	33
P313D1	C(CM)-UCP313-209D1					
P314D1	C(CM)-UCP314D1	4	200	140	12	16
P314D1	C(CM)-UCP314-210D1					
P314D1	C(CM)-UCP314-211D1	$\frac{3}{32}$	$7\frac{8}{8}$	$5\frac{1}{2}$	26	35
P314D1	C(CM)-UCP314-212D1					
P315D1	C(CM)-UCP315D1	4	210	150	14	20
P315D1	C(CM)-UCP315-213D1					
P315D1	C(CM)-UCP315-214D1	$\frac{3}{32}$	$8\frac{(32)}{32}$	$5\frac{(32)}{32}$	31	44
P315D1	C(CM)-UCP315-215D1					
P315D1	C(CM)-UCP315-300D1					
P316D1	C(CM)-UCP316D1	4	221	155	18	23
P316D1	C(CM)-UCP316-301D1					
P316D1	C(CM)-UCP316-302D1	$\frac{3}{32}$	$8\frac{1}{16}$	$6\frac{7}{32}$	40	51
P316D1	C(CM)-UCP316-303D1					
P317D1	C(CM)-UCP317D1	5	235	170	20	27
P317D1	C(CM)-UCP317-304D1					
P317D1	C(CM)-UCP317-305D1	$\frac{1}{16}$	$9\frac{1}{4}$	$6\frac{1}{16}$	44	60
P317D1	C(CM)-UCP317-307D1					
P318D1	C(CM)-UCP318D1	5	246	170	24	30
P318D1	C(CM)-UCP318-307D1	$\frac{1}{16}$	$9\frac{1}{16}$	$6\frac{1}{16}$	53	66
P318D1	C(CM)-UCP318-308D1					

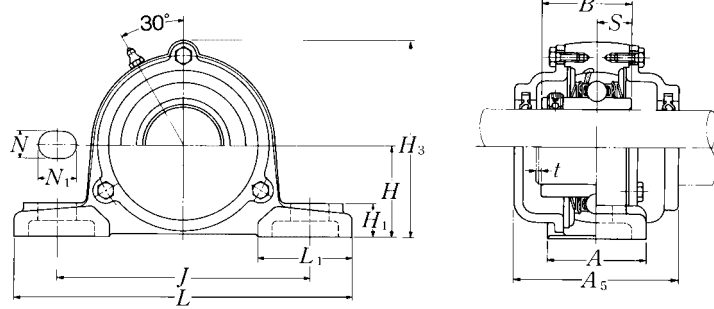
Pillow blocks cast housing
Set screw type



Shaft dia.	Unit number ¹⁾	Nominal dimensions											Bolt size	Bearing number	
							mm		inch						mm inch
		H	L	J	A	N	N ₁	H ₁	H ₂	L ₁	B	S			
95 3% 31#16 3#74	UCP319D1 UCP319-310D1 UCP319-311D1 UCP319-312D1	125	470	360	120	36	50	45	250	125	103	41	M30	UC319D1 UC319-310D1 UC319-311D1 UC319-312D1	
		4% 18#12	18#12	14#16	4#32	11#32	1#32	1#32	9#32	4#32	4.0551	1.614	1#8		
100 31#16 3% 31#16 4	UCP320D1 UCP320-313D1 UCP320-314D1 UCP320-315D1 UCP320-400D1	140	490	380	120	36	50	50	275	130	108	42	M30	UC320D1 UC320-313D1 UC320-314D1 UC320-315D1 UC320-400D1	
		5# 19#12	19#12	14#16	4#32	11#32	1#32	1#32	10#16	5#8	4.2520	1.654	1#8		
105	UCP321D1	140	490	380	120	36	50	50	280	130	112	44	M30	UC321D1	
110	UCP322D1	150	520	400	140	40	55	55	300	135	117	46	M33	UC322D1	
120	UCP324D1	160	570	450	140	40	55	65	320	140	126	51	M33	UC324D1	
130	UCP326D1	180	600	480	140	40	55	75	355	140	135	54	M33	UC326D1	
140	UCP328D1	200	620	500	140	40	55	75	390	140	145	59	M33	UC328D1	

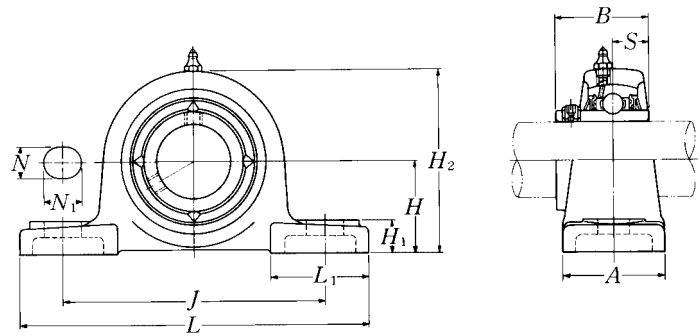
Remarks: 1) These numbers indicate relubricatable type. If maintenance free type is needed, please order without suffix "D1".

Note: Please refer to page 25 for size of grease fitting.

**Cast dust cover type**Open end: **C-UCP...D1**Closed end: **CM-UCP...D1**

Housing number	Unit number cast dust cover type	Nominal dimensions			Mass of unit	
		mm		inch	kg	lb
		<i>t</i> max.	<i>H₃</i>	<i>A₅</i>	UCP	C(CM)
P319D1	C(CM)-UCP319D1	5	258	180	29	38
P319D1	C(CM)-UCP319-310D1					
P319D1	C(CM)-UCP319-311D1	!#64	10%32	7#32	64	84
P319D1	C(CM)-UCP319-312D1					
P320D1	C(CM)-UCP320D1	5	283	190	35	46
P320D1	C(CM)-UCP320-313D1					
P320D1	C(CM)-UCP320-314D1	!#64	11%32	7!%32	77	101
P320D1	C(CM)-UCP320-315D1					
P320D1	C(CM)-UCP320-400D1					
P321D1	C(CM)-UCP321D1	5	290	195	35	51
P322D1	C(CM)-UCP322D1	5	313	200	45	59
P324D1	C(CM)-UCP324D1	5	335	215	55	69
P326D1	C(CM)-UCP326D1	6	375	225	72	92
P328D1	C(CM)-UCP328D1	6	407	235	89	112

Pillow blocks cast housing
Set screw type



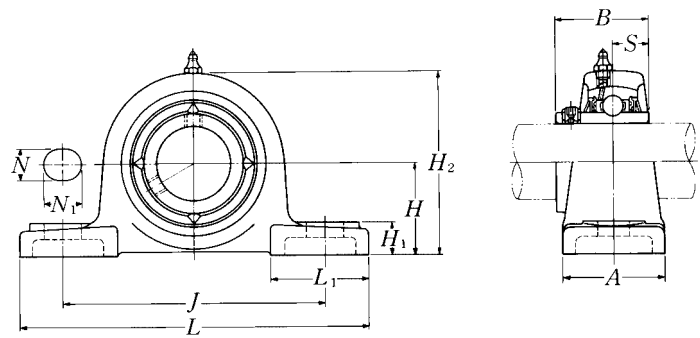
Shaft dia.	Unit number ¹⁾	Nominal dimensions											Bolt size	Bearing number
		mm					inch							
mm inch		H	L	J	A	N	N ₁	H ₁	H ₂	L ₁	B	S	mm inch	
25 1#7/16 1#7/16 1	UCPX05D1 UCPX05-013D1 UCPX05-014D1 UCPX05-015D1 UCPX05-100D1	44.4 1#7/16	159 6#7/4	119 4!1#7/16	51 2	17 @!7/32	20 @%7/32	18 @#7/32	85 3!1#7/32	50 1#1#7/32	38.1 1.5000	15.9 0.626	M14 !2	UCX05D1 UCX05-013D1 UCX05-014D1 UCX05-015D1 UCX05-100D1
30 1!7/16 1!#8 1#7/16 1!#4	UCPX06D1 UCPX06-101D1 UCPX06-102D1 UCPX06-103D1 UCPX06-104D1	47.6 1!7/16	175 6	127 5	57 2!4	17 @!7/32	20 @%7/32	20 @7/32	93 3@!7/32	54 2!#8	42.9 1.6890	17.5 0.689	M14 !2	UCX06D1 UCX06-101D1 UCX06-102D1 UCX06-103D1 UC207-104D1
35 1%7/16 1#7/8 1&7/16	UCPX07D1 UCPX07-105D1 UCPX07-106D1 UCPX07-107D1	54 2!#8	203 8	144 5@!7/32	57 2!4	17 @!7/32	20 @%7/32	21 !#7/16	105 4!#8	60 2#7/8	49.2 1.9370	19 0.748	M14 !2	UCX07D1 UCX07-105D1 UCX07-106D1 UCX07-107D1
40 1!2 1(7/16	UCPX08D1 UCPX08-108D1 UCPX08-109D1	58.7 2%7/16	222 8#7/4	156 6%7/32	67 2%#8	20 @%7/32	23 @7/32	26 1!7/16	111 4#7/8	65 2(7/16	49.2 1.9370	19 0.748	M16 %#8	UCX08D1 UCX08-108D1 UCX08-109D1
45 1%#8 1!1#7/16 1#7/4 1!#7/16	UCPX09D1 UCPX09-110D1 UCPX09-111D1 UCPX09-112D1 UCPX09-113D1	58.7 2%7/16	222 8#7/4	156 6%7/32	67 2%#8	20 @%7/32	23 @7/32	26 1!7/16	116 4(7/16	65 2(7/16	51.6 2.0315	19 0.748	M16 %#8	UCX09D1 UCX09-110D1 UCX09-111D1 UCX09-112D1 UC210-113D1
50 1 1!#7/16 2	UCPX10D1 UCPX10-114D1 UCPX10-115D1 UCPX10-200D1	63.5 2!2	241 9!2	171 6@#7/32	73 2	20 @%7/32	23 @7/32	27 1!7/16	126 4#!7/32	70 2#7/4	55.6 2.1890	22.2 0.874	M16 %#8	UCX10D1 UCX10-114D1 UCX10-115D1 UC211-200D1
55 2!7/16 2!#8 2#7/16 2!4 2%7/16	UCPX11D1 UCPX11-201D1 UCPX11-202D1 UCPX11-203D1 UCPX11-204D1 UCPX11-205D1	69.8 2#7/4	260 10!4	184 7!4	79 3!#8	25 #!7/32	28 1#7/32	30 1#7/16	137 5!#7/32	75 2!%7/16	65.1 2.5630	25.4 1.000	M20 #7/4	UCX11D1 UCX11-201D1 UCX11-202D1 UCX11-203D1 UC212-204D1 UC212-205D1

Remarks: 1) These numbers indicate relubricatable type. If maintenance free type is needed, please order without suffix "D1".

Note: Please refer to page 25 for size of grease fitting.

Housing number	Mass of unit	
	kg	lb
PX05D1	1.5	
PX05D1		
PX05D1	3.3	
PX05D1		
PX05D1		
PX06D1	2.0	
PX06D1		
PX06D1	4.4	
PX06D1		
PX06D1		
PX07D1	2.6	
PX07D1		
PX07D1	5.7	
PX07D1		
PX08D1	3.3	
PX08D1	7.3	
PX08D1		
PX09D1	3.3	
PX09D1		
PX09D1	7.3	
PX09D1		
PX09D1		
PX10D1	4.3	
PX10D1		
PX10D1	9.5	
PX10D1		
PX11D1	5.7	
PX11D1		
PX11D1		
PX11D1	13	
PX11D1		
PX11D1		

Pillow blocks cast housing
Set screw type



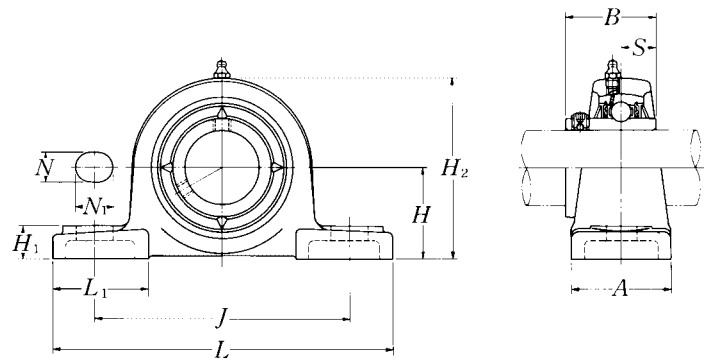
Shaft dia.	Unit number ¹⁾	Nominal dimensions											Bolt size	Bearing number
		mm					inch							
mm inch		H	L	J	A	N	N ₁	H ₁	H ₂	L ₁	B	S	mm inch	
60	UCPX12D1	76.2	286	203	83	25	28	33	151	80	65.1	25.4	M20	UCX12D1
2³/₈	UCPX12-206D1	3	11 ¹ / ₄	8	3 ³ / ₃₂	¹ / ₂	¹ / ₂	¹ / ₈	5 ¹ / ₁₆	3 ³ / ₃₂	2.5630	1.000	³ / ₄	UCX12-206D1
2¹/₁₆	UCPX12-207D1													UCX12-207D1
65	UCPX13D1	76.2	286	203	83	25	28	33	154	80	74.6	30.2	M20	UCX13D1
2¹/₂	UCPX13-208D1	3	11 ¹ / ₄	8	3 ³ / ₃₂	¹ / ₂	¹ / ₂	¹ / ₈	6 ¹ / ₁₆	3 ³ / ₃₂	2.9370	1.189	³ / ₄	UCX13-208D1
2⁷/₁₆	UCPX13-209D1													UCX13-209D1
70	UCPX14D1	88.9	330	229	89	27	30	35	170	95	77.8	33.3	M22	UCX14D1
2³/₈	UCPX14-210D1													UCX14-210D1
2¹/₁₆	UCPX14-211D1	3 ¹ / ₂	13	9 ¹ / ₃₂	3 ¹ / ₂	1 ¹ / ₁₆	1 ¹ / ₁₆	1 ¹ / ₈	6 ¹ / ₁₆	3 ³ / ₄	3.0630	1.311	³ / ₈	UCX14-211D1
2⁷/₁₆	UCPX14-212D1													UCX14-212D1
75	UCPX15D1	88.9	330	229	89	27	30	35	175	95	82.6	33.3	M22	UCX15D1
2¹/₁₆	UCPX15-213D1													UCX15-213D1
2³/₈	UCPX15-214D1	3 ¹ / ₂	13	9 ¹ / ₃₂	3 ¹ / ₂	1 ¹ / ₁₆	1 ¹ / ₁₆	1 ¹ / ₈	6 ³ / ₈	3 ³ / ₄	3.2520	1.311	³ / ₈	UCX15-214D1
2¹/₁₆	UCPX15-215D1													UCX15-215D1
3	UCPX15-300D1													UCX15-300D1
80	UCPX16D1	101.6	381	283	102	27	30	40	194	110	85.7	34.1	M22	UCX16D1
3¹/₁₆	UCPX16-301D1													UCX16-301D1
3¹/₈	UCPX16-302D1	4	15	11 ¹ / ₃₂	4 ¹ / ₃₂	1 ¹ / ₁₆	1 ¹ / ₁₆	1 ¹ / ₁₆	7 ³ / ₈	4 ¹ / ₃₂	3.3740	1.343	³ / ₈	UCX16-302D1
3⁷/₁₆	UCPX16-303D1													UCX16-303D1
3¹/₄	UCPX16-304D1													UC217-304D1
85	UCPX17D1	101.6	381	283	102	27	30	40	200	110	96	39.7	M22	UCX17D1
3³/₁₆	UCPX17-305D1	4	15	11 ¹ / ₃₂	4 ¹ / ₃₂	1 ¹ / ₁₆	1 ¹ / ₁₆	1 ¹ / ₁₆	7 ³ / ₈	4 ¹ / ₃₂	3.7795	1.563	³ / ₈	UCX17-305D1
3⁷/₁₆	UCPX17-307D1													UCX17-307D1
90	UCPX18D1	101.6	381	283	111	27	30	40	206	110	104	42.9	M22	UCX18D1
3³/₁₆	UCPX18-307D1	4	15	11 ¹ / ₃₂	4 ⁷ / ₈	1 ¹ / ₁₆	1 ¹ / ₁₆	1 ¹ / ₁₆	8 ¹ / ₈	4 ¹ / ₃₂	4.0945	1.689	³ / ₈	UCX18-307D1
3¹/₂	UCPX18-308D1													UCX18-308D1
100	UCPX20D1	127	432	337	121	33	36	45	244	125	117.5	49.2	M27	UCX20D1
3¹/₁₆	UCPX20-313D1													UCX20-313D1
3³/₈	UCPX20-314D1	5	17	13 ³ / ₃₂	4 ⁷ / ₄	1 ¹ / ₁₆	1 ¹ / ₃₂	1 ³ / ₃₂	9 ¹ / ₃₂	4 ³ / ₃₂	4.6260	1.937	1	UCX20-314D1
3¹/₁₆	UCPX20-315D1													UCX20-315D1
4	UCPX20-400D1													UCX20-400D1

Remarks: 1) These numbers indicate relubricatable type. If maintenance free type is needed, please order without suffix "D1".

Note: Please refer to page 25 for size of grease fitting.

Housing number	Mass of unit	
	kg	lb
PX12D1	7.3	
PX12D1	16	
PX12D1		
PX13D1	7.6	
PX13D1	17	
PX13D1		
PX14D1	9.9	
PX14D1		
PX14D1	22	
PX14D1		
PX15D1	11	
PX15D1		
PX15D1	24	
PX15D1		
PX15D1		
PX16D1	15	
PX16D1		
PX16D1	33	
PX16D1		
PX16D1		
PX17D1	16	
PX17D1	35	
PX17D1		
PX18D1	17	
PX18D1	37	
PX18D1		
PX20D1	30	
PX20D1		
PX20D1	66	
PX20D1		
PX20D1		

Pillow blocks cast housing low center height
Set screw type



Shaft dia. mm inch	Unit number ^{1) 2) 3)}	Nominal dimensions											Bolt size mm inch	Bearing number
							mm		inch					
		H	L	J	A	N	N ₁	H ₁	H ₂	L ₁	B	S		
20 #4	UCPL204D1 UCPL204-012D1	31.75 1 1/4	127 5	95 3 3/4	38 1 1/2	13 1/2	16 5/8	14 1/2	64 2 1/2	42 1 3/4	31 1.2205	12.7 0.500	M10 #8	UC204D1 UC204-012D1
25 1 1/16 #8 1 1/16 1	UCPL205D1 UCPL205-013D1 UCPL205-014D1 UCPL205-015D1 UCPL205-100D1	33.34 1 1/16	140 5 1/2	105 4 1/8	38 1 1/2	13 1/2	16 5/8	15 1/2	68 2 11/16	42 1 3/4	34.1 1.3425	14.3 0.563	M10 #8	UC205D1 UC205-013D1 UC205-014D1 UC205-015D1 UC205-100D1
30 1 1/16 1 1/8 1 7/16 1 1/4	UCPL206D1 UCPL206-101D1 UCPL206-102D1 UCPL206-103D1 UCPL206-104D1	39.69 1 1/2	165 6 1/2	121 4 3/4	48 1 7/8	17 1 1/4	20 3/4	17 1 1/4	80 3 1/4	54 2 1/8	38.1 1.5000	15.9 0.626	M14 1/2	UC206D1 UC206-101D1 UC206-102D1 UC206-103D1 UC206-104D1
35 1 1/4 1 1/16 1 3/8 1 7/16	UCPL207D1 UCPL207-104D1 UCPL207-105D1 UCPL207-106D1 UCPL207-107D1	46.04 1 7/8	167 6 1/16	127 5	48 1 7/8	17 1 1/4	20 3/4	18 3/4	91 3 1/2	54 2 1/8	42.9 1.6890	17.5 0.689	M14 1/2	UC207D1 UC207-104D1 UC207-105D1 UC207-106D1 UC207-107D1
45 1 3/8 1 11/16 1 3/4	UCPL209D1 UCPL209-110D1 UCPL209-111D1 UCPL209-112D1	52.39 2 1/16	190 7 1/2	146 5 3/4	54 2 1/8	17 1 1/4	20 3/4	20 3/4	104 4 1/4	60 2 3/8	49.2 1.9370	19 0.748	M14 1/2	UC209D1 UC209-110D1 UC209-111D1 UC209-112D1
50 1 1/16 1 3/8 1 1/16 2	UCPL210D1 UCPL210-113D1 UCPL210-114D1 UCPL210-115D1 UCPL210-200D1	55.56 2 1/16	206 8 1/8	159 6 1/4	60 2 3/8	20 3/4	23 1 1/4	21 1 1/4	112 4 1/4	65 2 1/16	51.6 2.0315	19 0.748	M16 3/8	UC210D1 UC210-113D1 UC210-114D1 UC210-115D1 UC210-200D1

Remarks: 1) These numbers indicate relubricatable type. If maintenance free type is needed, please order without suffix "D1".

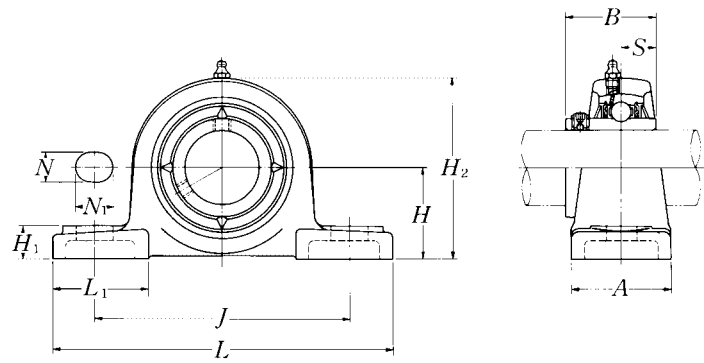
2) UCPL204 and UCPL205 has solid bases.

3) UCPL208 has the same dimension as UCP208 shown in page 46.

Note: Please refer to page 25 for size of grease fitting.

Housing number	Mass of unit	
	kg	lb
PL204D1	0.6	
PL204D1	1.3	
PL205D1	0.8	
PL205D1		
PL205D1	1.8	
PL205D1		
PL205D1		
PL206D1	1.2	
PL206D1		
PL206D1	2.6	
PL206D1		
PL206D1		
PL207D1	1.6	
PL207D1		
PL207D1	3.5	
PL207D1		
PL207D1		
PL209D1	2.2	
PL209D1		
PL209D1	4.9	
PL209D1		
PL210D1	2.6	
PL210D1		
PL210D1	5.7	
PL210D1		
PL210D1		

Pillow blocks cast housing low center height
Set screw type



Shaft dia.	Unit number ^{1) 2) 3)}	Nominal dimensions											Bolt size	Bearing number
		mm					inch							
		H	L	J	A	N	N ₁	H ₁	H ₂	L ₁	B	S		
55	UCPL211D1	61.91	219	171	60	20	23	23	124	65	55.6	22.2	M16	UC211D1
2	UCPL211-200D1													UC211-200D1
2 1/16	UCPL211-201D1	2 1/16	8 3/8	6 3/32	2 3/8	3/32	1/32	1/32	4 3/8	2 1/16	2.1890	0.874	3/8	UC211-201D1
2 1/8	UCPL211-202D1													UC211-202D1
2 7/16	UCPL211-203D1													UC211-203D1
60	UCPL212D1	68.26	241	184	70	20	23	25	136	70	65.1	25.4	M16	UC212D1
2 1/4	UCPL212-204D1													UC212-204D1
2 3/16	UCPL212-205D1	2 1/16	9 1/2	7 1/4	2 3/4	3/32	1/32	1/32	5 1/32	2 3/4	2.5630	1.000	3/8	UC212-205D1
2 3/8	UCPL212-206D1													UC212-206D1
2 7/16	UCPL212-207D1													UC212-207D1

Remarks: 1) These numbers indicate relubricatable type. If maintenance free type is needed, please order without suffix "D1".

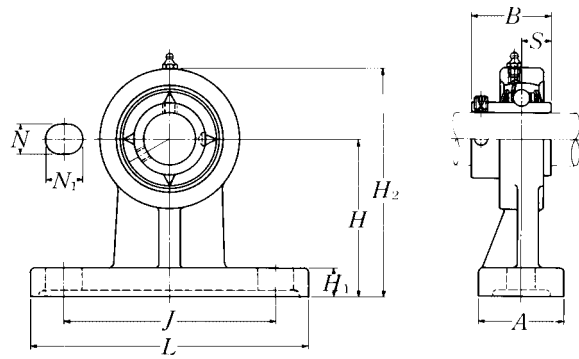
2) UCPL204 and UCPL205 has solid bases.

3) UCPL208 has the same dimension as UCP208 shown in page 46.

Note: Please refer to page 25 for size of grease fitting.

Housing number	Mass of unit
	kg lb
PL211D1	3.2
PL211D1	
PL211D1	7.1
PL211D1	
PL211D1	
PL212D1	4.5
PL212D1	
PL212D1	9.9
PL212D1	
PL212D1	

Pillow blocks cast housing high center height
Set screw type

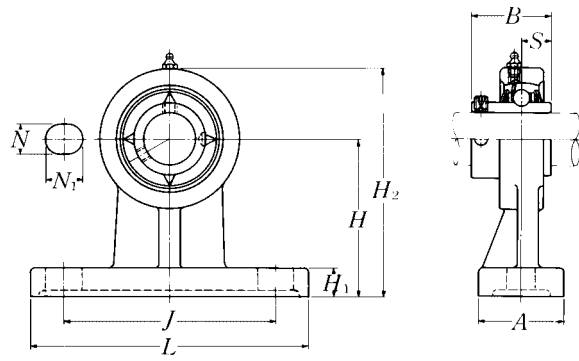


Shaft dia.	Unit number ¹⁾	Nominal dimensions										Bolt size	Bearing number
		mm					inch						
mm inch		H	L	J	A	N	N _i	H ₁	H ₂	B	S	mm inch	
12 !2	UCHP201D1 UCHP201-008D1	70 2#4	127 5	95 3#4	40 1(716	13 !2	19 #4	13 !2	101 3#132	31 1.2205	12.7 0.500	M10 #8	UC201D1 UC201-008D1
15 (716 %8	UCHP202D1 UCHP202-009D1 UCHP202-010D1	70 2#4	127 5	95 3#4	40 1(716	13 !2	19 #4	13 !2	101 3#132	31 1.2205	12.7 0.500	M10 #8	UC202D1 UC202-009D1 UC202-010D1
17 !!716	UCHP203D1 UCHP203-011D1	70 2#4	127 5	95 3#4	40 1(716	13 !2	19 #4	13 !2	101 3#132	31 1.2205	12.7 0.500	M10 #8	UC203D1 UC203-011D1
20 #4	UCHP204D1 UCHP204-012D1	70 2#4	127 5	95 3#4	40 1(716	13 !2	19 #4	13 !2	101 3#132	31 1.2205	12.7 0.500	M10 #8	UC204D1 UC204-012D1
25 !#716 &8 !%716 1	UCHP205D1 UCHP205-013D1 UCHP205-014D1 UCHP205-015D1 UCHP205-100D1	80 3%32	142 5!(32	105 4!8	50 1#!32	13 !2	19 #4	13 !2	114 4!2	34.1 1.3425	14.3 0.563	M10 #8	UC205D1 UC205-013D1 UC205-014D1 UC205-015D1 UC205-100D1
30 !716 !8 !#716 !74	UCHP206D1 UCHP206-101D1 UCHP206-102D1 UCHP206-103D1 UCHP206-104D1	90 3#%64	165 6!2	120 4@#32	50 1#!32	17 @!32	21 !#716	16 %8	130 5!8	38.1 1.5000	15.9 0.626	M14 !2	UC206D1 UC206-101D1 UC206-102D1 UC206-103D1 UC206-104D1
35 !74 !%716 !#8 !&716	UCHP207D1 UCHP207-104D1 UCHP207-105D1 UCHP207-106D1 UCHP207-107D1	95 3\$&%64	166 6!&32	127 5	60 2#8	17 @!32	21 !#716	18 @#32	140 5!2	42.9 1.6890	17.5 0.689	M14 !2	UC207D1 UC207-104D1 UC207-105D1 UC207-106D1 UC207-107D1
40 !72 1(716	UCHP208D1 UCHP208-108D1 UCHP208-109D1	100 3!%716	184 7!4	136 5!132	70 2#4	17 @!32	21 !#716	20 @%32	150 5@32	49.2 1.9370	19 0.748	M14 !2	UC208D1 UC208-108D1 UC208-109D1

Remarks: 1) These numbers indicate relubricatable type. If maintenance free type is needed, please order without suffix "D1".
Note: Please refer to page 25 for size of grease fitting.

Housing number	Mass of unit
	kg lb
HP204D1	1.0
HP204D1	2.2
HP204D1	1.0
HP204D1	2.2
HP204D1	2.2
HP204D1	1.0
HP204D1	2.2
HP204D1	1.0
HP204D1	2.2
HP205D1	1.2
HP205D1	
HP205D1	2.6
HP205D1	
HP205D1	
HP206D1	1.8
HP206D1	
HP206D1	4.0
HP206D1	
HP206D1	
HP207D1	2.4
HP207D1	
HP207D1	5.3
HP207D1	
HP207D1	
HP208D1	3.4
HP208D1	7.5
HP208D1	

Pillow blocks cast housing high center height
Set screw type

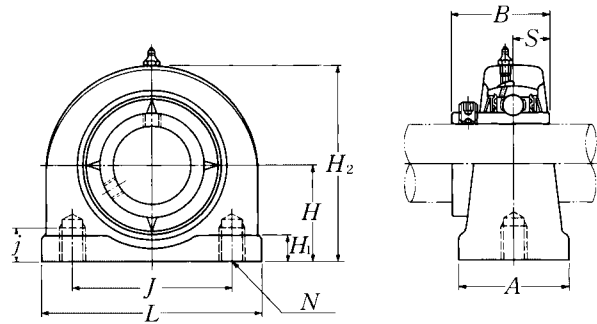


Shaft dia.	Unit number ¹⁾	Nominal dimensions										Bolt size	Bearing number
		mm		inch		mm		inch		mm			
mm inch		H	L	J	A	N	N _i	H ₁	H ₂	B	S	mm inch	
45 1 3/8 1 1/16 1 3/4	UCHP209D1 UCHP209-110D1 UCHP209-111D1 UCHP209-112D1	105 4 1/8	190 7 1/2	146 5 3/4	70 2 3/4	17 2/32	22 7/8	20 3/4	158 6 1/2	49.2 1.9370	19 0.748	M14 1/2	UC209D1 UC209-110D1 UC209-111D1 UC209-112D1
50 1 1/2 1 3/8 1 1/16 2	UCHP210D1 UCHP210-113D1 UCHP210-114D1 UCHP210-115D1 UCHP210-200D1	110 4 3/8	206 8 1/8	159 6 1/4	70 2 3/4	20 2/32	22 7/8	22 7/8	165 6 1/2	51.6 2.0315	19 0.748	M16 3/8	UC210D1 UC210-113D1 UC210-114D1 UC210-115D1 UC210-200D1

Remarks: 1) These numbers indicate relubricatable type. If maintenance free type is needed, please order without suffix "D1".
Note: Please refer to page 25 for size of grease fitting.

Housing number	Mass of unit
	kg lb
HP209D1	3.7
HP209D1	
HP209D1	8.2
HP209D1	
HP210D1	4.1
HP210D1	
HP210D1	9.0
HP210D1	
HP210D1	

Pillow blocks cast housing
Set screw type



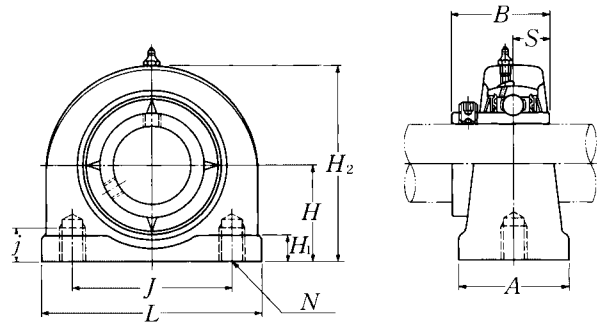
Shaft dia. mm inch	Unit number ¹⁾	Nominal dimensions										Bearing number
		mm					inch					
		H	L	J	A	j	H ₁	H ₂	B	S	N	
12 !2	UCUP201D1 UCUP201-008D1	30.2 1#716	76 3	52 2!716	38 1!2	13 !2	11 &716	62 2&716	31 1.2205	12.7 0.500	M10 × 1.5	UC201D1 UC201-008D1
15 (716 %8	UCUP202D1 UCUP202-009D1 UCUP202-010D1	30.2 1#716	76 3	52 2!716	38 1!2	13 !2	11 &716	62 2&716	31 1.2205	12.7 0.500	M10 × 1.5	UC202D1 UC202-009D1 UC202-010D1
17 !!716	UCUP203D1 UCUP203-011D1	30.2 1#716	76 3	52 2!716	38 1!2	13 !2	11 &716	62 2&716	31 1.2205	12.7 0.500	M10 × 1.5	UC203D1 UC203-011D1
20 #4	UCUP204D1 UCUP204-012D1	30.2 1#716	76 3	52 2!716	38 1!2	13 !2	11 &716	62 2&716	31 1.2205	12.7 0.500	M10 × 1.5	UC204D1 UC204-012D1
25 !#716 &8 !%716 1	UCUP205D1 UCUP205-013D1 UCUP205-014D1 UCUP205-015D1 UCUP205-100D1	36.5 1&716	84 3%716	56 2&32	38 1!2	15 !(32	12 !%32	72 2&&32	34.1 1.3425	14.3 0.563	M10 × 1.5	UC205D1 UC205-013D1 UC205-014D1 UC205-015D1 UC205-100D1
30 1!716 1!8 1#716 1!4	UCUP206D1 UCUP206-101D1 UCUP206-102D1 UCUP206-103D1 UCUP206-104D1	42.9 1!!716	94 3!!716	66 2!(32	48 1&8	18 @#32	12 !%32	84 3%716	38.1 1.5000	15.9 0.629	M14 × 2	UC206D1 UC206-101D1 UC206-102D1 UC206-103D1 UC206-104D1
35 1!4 1%716 1#8 1&716	UCUP207D1 UCUP207-104D1 UCUP207-105D1 UCUP207-106D1 UCUP207-107D1	47.6 1&8	110 4!!32	80 3%32	48 1&8	20 @%32	13 !2	95 3#74	42.9 1.6890	17.5 0.689	M14 × 2	UC207D1 UC207-104D1 UC207-105D1 UC207-106D1 UC207-107D1
40 1!2 1(716	UCUP208D1 UCUP208-108D1 UCUP208-109D1	49.2 1!%716	116 4(716	84 3%716	54 2!8	20 @%32	13 !2	100 3!%716	49.2 1.9370	19 0.748	M14 × 2	UC208D1 UC208-108D1 UC208-109D1
45 1%8 1!!716 1#4	UCUP209D1 UCUP209-110D1 UCUP209-111D1 UCUP209-112D1	54.2 2!8	120 4@#32	90 3!&32	54 2!8	25 #!32	13 !2	108 4!4	49.2 1.9370	19 0.748	M14 × 2	UC209D1 UC209-110D1 UC209-111D1 UC209-112D1

Remarks: 1) These numbers indicate relubricatable type. If maintenance free type is needed, please order without suffix "D1".

Note: Please refer to page 25 for size of grease fitting.

Housing number	Mass of unit	
	kg	lb
UP204D1	0.6	
UP204D1	1.3	
UP204D1	0.6	
UP204D1	1.3	
UP204D1	0.6	
UP204D1	1.3	
UP204D1	0.6	
UP204D1	1.3	
UP205D1	0.8	
UP205D1		
UP205D1	1.8	
UP205D1		
UP205D1		
UP206D1	1.2	
UP206D1		
UP206D1	2.6	
UP206D1		
UP206D1		
UP207D1	1.7	
UP207D1		
UP207D1	3.7	
UP207D1		
UP207D1		
UP208D1	2.0	
UP208D1	4.4	
UP208D1		
UP209D1	2.2	
UP209D1		
UP209D1	4.9	
UP209D1		

Pillow blocks cast housing
Set screw type



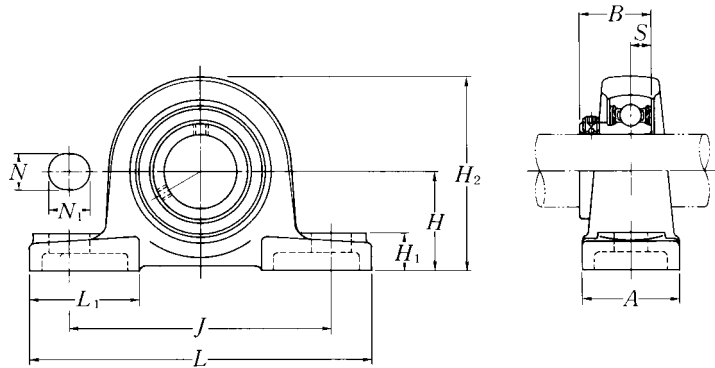
Shaft dia.	Unit number ¹⁾	Nominal dimensions										Bearing number
		mm					inch					
		<i>H</i>	<i>L</i>	<i>J</i>	<i>A</i>	<i>j</i>	<i>H</i> ₁	<i>H</i> ₂	<i>B</i>	<i>S</i>	<i>N</i>	
50	UCUP210D1	57.2	130	94	60	25	14	116	51.6	19	M16 × 2	UC210D1
1 1/16	UCUP210-113D1											UC210-113D1
1 3/8	UCUP210-114D1											UC210-114D1
1 7/16	UCUP210-115D1											UC210-115D1
2	UCUP210-200D1											UC210-200D1

Remarks: 1) These numbers indicate relubricatable type. If maintenance free type is needed, please order without suffix "D1".

Note: Please refer to page 25 for size of grease fitting.

Housing number	Mass of unit
	kg lb
UP210D1	2.9
UP210D1	
UP210D1	6.4
UP210D1	
UP210D1	

Pillow blocks cast housing low center height
Set screw type

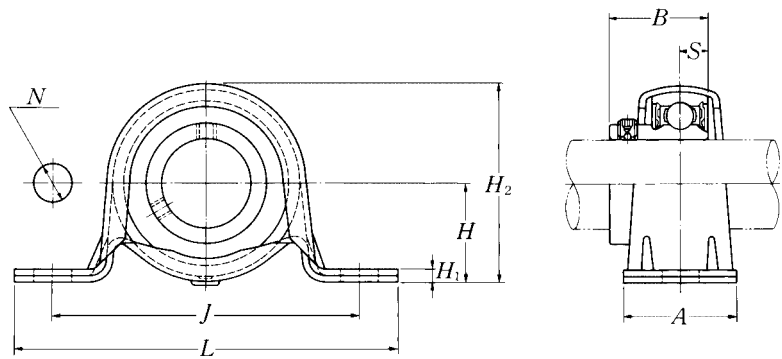


Shaft dia.	Unit number ^{1) 2)}	Nominal dimensions											Bolt size	Bearing number	
							mm		inch						mm inch
		H	L	J	A	N	N ₁	H ₁	H ₂	L ₁	B	S			
12 !2	ASPL201 ASPL201-008	26.99 1!716	121 4#4	89 3!2	35 1#8	11 .431	14 .551	13 .512	54 2!8	40 1.575	22 .8661	6 .236	M10 #8	AS201 AS201-008	
15 (716 %8	ASPL202 ASPL202-009 ASPL202-010	26.99 1!716	121 4#4	89 3!2	35 1#8	11 .431	14 .551	13 .512	54 2!8	40 1.575	22 .8661	6 .236	M10 #8	AS202 AS202-009 AS202-010	
17 !!716	ASPL203 ASPL203-011	26.99 1!716	121 4#4	89 3!2	35 1#8	11 .431	14 .551	13 .512	54 2!8	40 1.575	22 .8661	6 .236	M10 #8	AS203 AS203-011	
20 #4	ASPL204 ASPL204-012	31.75 1!74	127 5	95 3#4	38 1!2	13 .512	16 .63	14 (716	64 2!832	42 1.6532	25 .9843	7 .276	M10 #8	AS204 AS204-012	
25 !#716 &8 !%716 1	ASPL205 ASPL205-013 ASPL205-014 ASPL205-015 ASPL205-100	33.34 1%716	140 5!2	105 4!8	38 1!2	13 .512	16 .63	15 !(32	68 2!!716	42 1.6532	27 1.0630	7.5 .295	M10 #8	AS205 AS205-013 AS205-014 AS205-015 AS205-100	
30 1!716 1!8 1#716 1!74	ASPL206 ASPL206-101 ASPL206-102 ASPL206-103 ASPL206-104	39.69 1(716	165 6!2	121 4#4	48 1&8	17 .6732	20 .78732	17 .6732	80 3%32	54 2!8	29 1.1417	8 .315	M14 !2	AS206 AS206-101 AS206-102 AS206-103 AS206-104	
35 1!74 1%716 1#8 1&716	ASPL207 ASPL207-104 ASPL207-105 ASPL207-106 ASPL207-107	46.04 1!74	167 6(716	127 5	48 1&8	17 .6732	20 .78732	18 .7132	91 3!(32	54 2!8	34 1.3386	8.5 .335	M14 !2	AS207 AS207-104 AS207-105 AS207-106 AS207-107	

Remarks: 1) ASPL201 to ASPL205 has solid bases.
2) If relubricatable type is needed, please order with suffix "D1".

Housing ²⁾ number	Mass of unit	
	kg	lb
PL201	0.6	
PL201	1.3	
PL201	0.6	
PL201	1.3	
PL201		
PL201	0.5	
PL201	1.1	
PL204	0.6	
PL204	1.3	
PL205	0.7	
PL205		
PL205	1.5	
PL205		
PL205		
PL206	1.2	
PL206		
PL206	2.6	
PL206		
PL206		
PL207	1.5	
PL207		
PL207	3.3	
PL207		
PL207		

Pillow blocks pressed steel housing
Set screw type

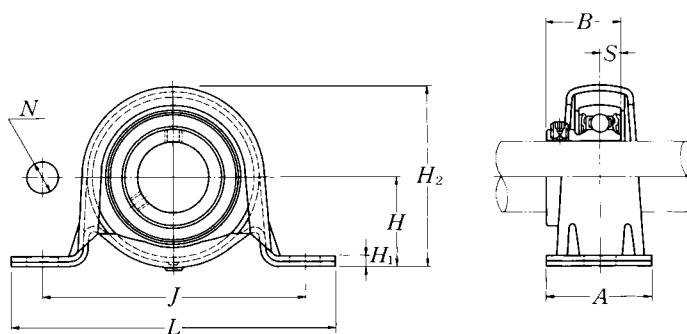


Shaft dia. mm inch	Unit number	Nominal dimensions									Bolt size mm inch	Bearing number	Housing number	Mass of unit kg lb
		H	L	J	A	N	H ₁	H ₂	B	S				
12 1/2	ASPP201	22.2	86	68	25	9.5	3.2	43.8	22	6	M 8	AS201	PP203	0.2
	ASPP201-008	8/8	3#8	2 1/16	1#32	#8	0.126	1#32	0.8661	0.236	5/16	AS201-008	PP203	0.4
15 1/16 3/8	ASPP202	22.2	86	68	25	9.5	3.2	43.8	22	6	M 8	AS202	PP203	0.1
	ASPP202-009	8/8	3#8	2 1/16	1#32	#8	0.126	1#32	0.8661	0.236	5/16	AS202-009	PP203	0.2
	ASPP202-010											AS202-010	PP203	
17 1 1/16	ASPP203	22.2	86	68	25	9.5	3.2	43.8	22	6	M 8	AS203	PP203	0.1
	ASPP203-011	8/8	3#8	2 1/16	1#32	#8	0.126	1#32	0.8661	0.236	5/16	AS203-011	PP203	0.2
20 3/4	ASPP204	25.4	98	76	32	9.5	3.2	50.5	25	7	M 8	AS204	PP204	0.2
	ASPP204-012	1	3#32	3	1 1/4	#8	0.126	2	0.9843	0.276	5/16	AS204-012	PP204	0.4
25 1#1/16 8/8 1#1/16 1	ASPP205	28.6	108	86	32	11.5	4	56.6	27	7.5	M10	AS205	PP205	0.3
	ASPP205-013											AS205-013	PP205	
	ASPP205-014	1 1/8	4 1/4	3#8	1 1/4	1#64	0.157	2#32	1.0630	0.295	#8	AS205-014	PP205	0.7
	ASPP205-015											AS205-015	PP205	
30 1 1/16 1 1/8 1#1/16 1 1/4	ASPP206	33.3	117	95	38	11.5	4	66.3	29	8	M10	AS206	PP206	0.4
	ASPP206-101											AS206-101	PP206	
	ASPP206-102	1 1/16	4 1/32	3#14	1 1/2	1#64	0.157	2#8	1.1417	0.315	#8	AS206-102	PP206	0.9
	ASPP206-103											AS206-103	PP206	
35 1 1/4 1#1/16 1#8 1#1/16	ASPP207	39.7	129	106	42	11.5	4.6	78	34	8.5	M10	AS207	PP207	0.6
	ASPP207-104											AS207-104	PP207	
	ASPP207-105	1 1/16	5#32	4#16	1#1/32	1#64	0.181	3 1/16	1.3386	0.335	#8	AS207-105	PP207	1.3
	ASPP207-106											AS207-106	PP207	
	ASPP207-107											AS207-107	PP207	

Remarks: 1) The permissible load only applies in applications where the load is stable and the speed is 2400 rpm or less.
The mounting surface should be flat.

Max. load ¹⁾ recommended	
N	lbf
radial	axial
2 000 440	800 160
2 000 440	800 160
2 000 440	800 160
2 500 550	1 000 200
3 500 770	1 400 280
4 000 880	1 600 320
4 500 990	1 800 360

Pillow blocks pressed steel housing with rubber ring
Set screw type

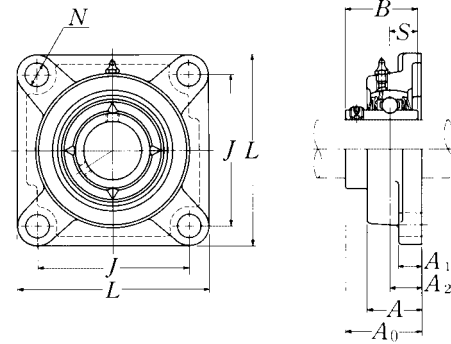


Shaft dia. mm inch	Unit number	Nominal dimensions									Bolt size mm inch	Bearing number
		H	L	J	A	N	H ₁	H ₂	B	S		
12 1/2	ASRPP201 ASRPP201-008	25.4 1	98 3@3/32	76 3	32 1 1/4	9.5 #8	3.2 0.126	50.5 2	22 0.8661	6 0.236	M 8 #16	AS201 AS201-008
15 1/16 3/8	ASRPP202 ASRPP202-009 ASRPP202-010	25.4 1	98 3@3/32	76 3	32 1 1/4	9.5 #8	3.2 0.126	50.5 2	22 0.8661	6 0.236	M 8 #16	AS202 AS202-009 AS202-010
17 1 1/16	ASRPP203 ASRPP203-011	25.4 1	98 3@3/32	76 3	32 1 1/4	9.5 #8	3.2 0.126	50.5 2	22 0.8661	6 0.236	M 8 #16	AS203 AS203-011
20 #4	ASRPP204 ASRPP204-012	28.6 1 1/8	108 4 1/4	86 3 3/8	32 1 1/4	11.5 #64	4 0.157	56.6 2 2/32	25 0.9843	7 0.276	M10 #8	AS204 AS204-012
25 1 7/16 #8 1 7/16 1	ASRPP205 ASRPP205-013 ASRPP205-014 ASRPP205-015 ASRPP205-100	33.3 1 3/16	117 4 1/32	95 3 7/4	38 1 1/2	11.5 #64	4 0.157	66.3 2 3/8	27 1.0630	7.5 0.295	M10 #8	AS205 AS205-013 AS205-014 AS205-015 AS205-100
30 1 1/16 1 1/8 1 7/16 1 1/4	ASRPP206 ASRPP206-101 ASRPP206-102 ASRPP206-103 ASRPP206-104	39.7 1 7/16	129 5 3/32	106 4 7/16	42 1 3/32	11.5 #64	4.6 0.181	78 3 1/16	29 1.1417	8 0.315	M10 #8	AS206 AS206-101 AS206-102 AS206-103 AS206-104

Remarks: 1) The permissible load only applies in applications where the load is stable and the speed is 2400 rpm or less.
The mounting surface should be flat.
2) When an anti-vibration rubber ring is used, the self alignment capability will be reduce.

Housing number	Mass of unit kg lb	Max. load ¹⁾ recommended	
		N	lbf
		radial	axial
PP204	0.2	1 000	200
PP204	0.4	220	40
PP204	0.2	1 000	200
PP204	0.4	220	40
PP204	0.2	1 000	200
PP204	0.4	220	40
PP205	0.3	1 150	200
PP205	0.7	250	40
PP206	0.4	1 300	200
PP206	0.9	280	40
PP206			
PP206			
PP206			
PP207	0.5	1 500	200
PP207	1.1	330	40
PP207			
PP207			
PP207			

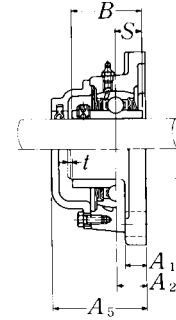
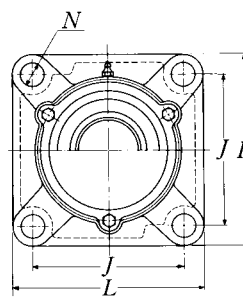
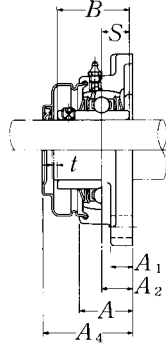
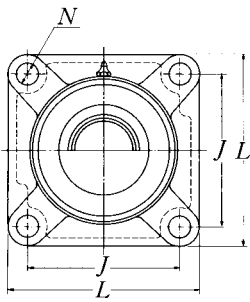
Flanged units cast housing Set screw type



Shaft dia. mm inch	Unit number ¹⁾	Nominal dimensions									Bolt size mm inch	Bearing number
		L	J	A ₂	A ₁	A	N	A ₀	B	S		
12 !2	UCF201D1 UCF201-008D1	86 3#8	64 2##64	15 !(32	11 &716	25.5 1	12 !%32	33.3 1%716	31 1.2205	12.7 0.500	M10 #8	UC201D1 UC201-008D1
15 (716 %8	UCF202D1 UCF202-009D1 UCF202-010D1	86 3#8	64 2##64	15 !(32	11 &716	25.5 1	12 !%32	33.3 1%716	31 1.2205	12.7 0.500	M10 #8	UC202D1 UC202-009D1 UC202-010D1
17 !!76	UCF203D1 UCF203-011D1	86 3#8	64 2##64	15 !(32	11 &716	25.5 1	12 !%32	33.3 1%716	31 1.2205	12.7 0.500	M10 #8	UC203D1 UC203-011D1
20 ##	UCF204D1 UCF204-012D1	86 3#8	64 2##64	15 !(32	11 &716	25.5 1	12 !%32	33.3 1%716	31 1.2205	12.7 0.500	M10 #8	UC204D1 UC204-012D1
25 !#76 &8 !%716 1	UCF205D1 UCF205-013D1 UCF205-014D1 UCF205-015D1 UCF205-100D1	95 3#74	70 2#74	16 %8	13 !2	27 1!716	12 !%32	35.8 1!#32	34.1 1.3425	14.3 0.563	M10 #8	UC205D1 UC205-013D1 UC205-014D1 UC205-015D1 UC205-100D1
30 1!76 1!8 1#76 1!74	UCF206D1 UCF206-101D1 UCF206-102D1 UCF206-103D1 UCF206-104D1	108 4!74	83 3!&64	18 %64	13 !2	31 1&32	12 !%32	40.2 1#&64	38.1 1.5000	15.9 0.626	M10 #8	UC206D1 UC206-101D1 UC206-102D1 UC206-103D1 UC206-104D1
35 1!74 1%76 1#8 1&76	UCF207D1 UCF207-104D1 UCF207-105D1 UCF207-106D1 UCF207-107D1	117 4!(32	92 3%8	19 #74	15 !(32	34 1!!32	14 #%64	44.4 1#74	42.9 1.6890	17.5 0.689	M12 &716	UC207D1 UC207-104D1 UC207-105D1 UC207-106D1 UC207-107D1
40 1!72 1(716	UCF208D1 UCF208-108D1 UCF208-109D1	130 5!78	102 4!64	21 %#64	15 !(32	36 1!#32	16 %8	51.2 2!64	49.2 1.9370	19 0.748	M14 !2	UC208D1 UC208-108D1 UC208-109D1
45 1%8 1!!716 1#74	UCF209D1 UCF209-110D1 UCF209-111D1 UCF209-112D1	137 5!#32	105 4(64	22 %64	16 %8	38 1!2	16 %8	52.2 2!716	49.2 1.9370	19 0.748	M14 !2	UC209D1 UC209-110D1 UC209-111 UC209-112

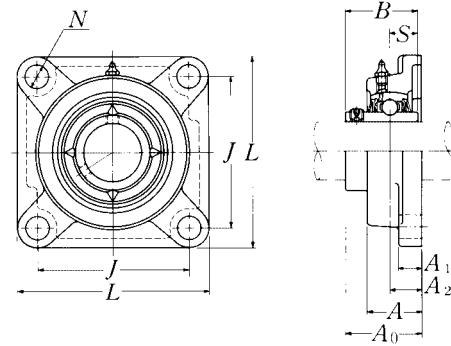
Remarks: 1) These numbers indicate relubricatable type. If maintenance free type is needed, please order without suffix "D1".

Note: Please refer to page 25 for size of grease fitting.

**Pressed steel dust cover type**Open end: **S-UCF...D1**Closed end: **SM-UCF...D1****Cast dust cover type**Open end: **C-UCF...D1**Closed end: **CM-UCF...D1**

Housing number	Unit number pressed steel dust cover type	Unit number cast dust cover type	Nominal dimensions			Mass of unit		
			mm		inch	kg		lb
			t max.	A ₄	A ₅	UCF	S(SM)	C(CM)
F204D1	S(SM)-UCF201D1	C(CM)-UCF210D1	2	40.5	46	0.7	0.7	0.9
F204D1	S(SM)-UCF201-008D1	C(CM)-UCF201-008D1	3/64	1 1/32	1 1/16	1.5	1.5	2.0
F204D1	S(SM)-UCF202D1	C(CM)-UCF202D1	2	40.5	46	0.7	0.7	0.9
F204D1	S(SM)-UCF202-009D1	C(CM)-UCF202-009D1	3/64	1 1/32	1 1/16	1.5	1.5	2.0
F204D1	S(SM)-UCF202-010D1	C(CM)-UCF202-010D1						
F204D1	S(SM)-UCF203D1	C(CM)-UCF203D1	2	40.5	46	0.6	0.7	0.9
F204D1	S(SM)-UCF203-011D1	C(CM)-UCF203-011D1	3/64	1 1/32	1 1/16	1.3	1.5	2.0
F204D1	S(SM)-UCF204D1	C(CM)-UCF204D1	2	40.5	46	0.6	0.7	0.9
F204D1	S(SM)-UCF204-012D1	C(CM)-UCF204-012D1	3/64	1 1/32	1 1/16	1.3	1.5	2.0
F205D1	S(SM)-UCF205D1	C(CM)-UCF205D1	2	44.5	51	0.8	0.8	1.0
F205D1	S(SM)-UCF205-013D1	C(CM)-UCF205-013D1						
F205D1	S(SM)-UCF205-014D1	C(CM)-UCF205-014D1	3/64	1 7/8	2	1.8	1.8	2.2
F205D1	S(SM)-UCF205-015D1	C(CM)-UCF205-015D1						
F205D1	S(SM)-UCF205-100D1	C(CM)-UCF205-100D1						
F206D1	S(SM)-UCF206D1	C(CM)-UCF206D1	2	49	56	1.0	1.1	1.5
F206D1	S(SM)-UCF206-101D1	C(CM)-UCF206-101D1						
F206D1	S(SM)-UCF206-102D1	C(CM)-UCF206-102D1	3/64	1 1/16	2 3/32	2.2	2.4	3.3
F206D1	S(SM)-UCF206-103D1	C(CM)-UCF206-103D1						
F206D1	-	-						
F207D1	S(SM)-UCF207D1	C(CM)-UCF207D1	3	55	59	1.4	1.5	2.0
F207D1	S(SM)-UCF207-104D1	C(CM)-UCF207-104D1						
F207D1	S(SM)-UCF207-105D1	C(CM)-UCF207-105D1	1/8	2 3/32	2 7/16	3.1	3.3	4.4
F207D1	S(SM)-UCF207-106D1	C(CM)-UCF207-106D1						
F207D1	-	-						
F208D1	S(SM)-UCF208D1	C(CM)-UCF208D1	3	62	66	1.8	1.9	2.6
F208D1	S(SM)-UCF208-108D1	C(CM)-UCF208-108D1	1/8	2 7/16	2 1/32	4.0	4.2	5.7
F208D1	S(SM)-UCF208-109D1	C(CM)-UCF208-109D1						
F209D1	S(SM)-UCF209D1	C(CM)-UCF209D1	3	63	70	2.2	2.3	2.8
F209D1	S(SM)-UCF209-110D1	C(CM)-UCF209-110D1						
F209D1	S(SM)-UCF209-111D1	C(CM)-UCF209-111D1	1/8	2 1/32	2 7/8	4.9	5.1	6.2
F209D1	S(SM)-UCF209-112D1	C(CM)-UCF209-112D1						

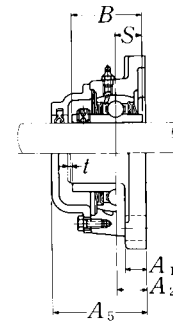
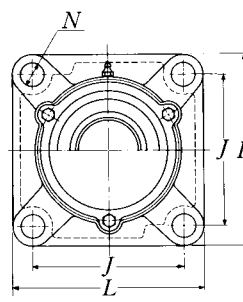
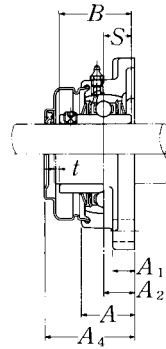
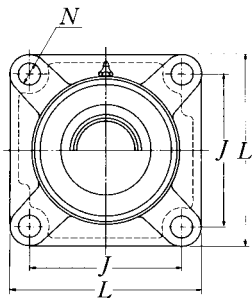
Flanged units cast housing Set screw type



Shaft dia.	Unit number ¹⁾	Nominal dimensions									Bolt size	Bearing number
		mm			inch			mm				
mm inch		L	J	A ₂	A ₁	A	N	A ₀	B	S	mm inch	
50	UCF210D1	143	111	22	16	40	16	54.6	51.6	19	M14	UC210D1
1 1/16	UCF210-113D1											UC210-113D1
1 3/8	UCF210-114D1											UC210-114D1
1 1/16	UCF210-115D1	5 3/8	4 3/8	3/16	5/8	1 1/16	3/8	2 1/32	2.0315	0.748	1/2	UC210-115D1
2	UCF210-200D1											UC210-200D1
55	UCF211D1	162	130	25	18	43	19	58.4	55.6	22.2	M16	UC211D1
2	UCF211-200D1											UC211-200D1
2 1/16	UCF211-201D1											UC211-201D1
2 1/8	UCF211-202D1	6 7/8	5 1/8	1/4	3/32	1 1/16	3/4	2 1/64	2.1890	0.874	3/8	UC211-202D1
2 7/16	UCF211-203D1											UC211-203D1
60	UCF212D1	175	143	29	18	48	19	68.7	65.1	25.4	M16	UC212D1
2 1/4	UCF212-204D1											UC212-204D1
2 7/16	UCF212-205D1											UC212-205D1
2 3/8	UCF212-206D1	6 7/8	5 3/8	1 1/64	3/32	1 3/8	3/4	2 5/64	2.5630	1.000	3/8	UC212-206D1
2 7/16	UCF212-207D1											UC212-207D1
65	UCF213D1	187	149	30	22	50	19	69.7	65.1	25.4	M16	UC213D1
2 1/2	UCF213-208D1											UC213-208D1
2 1/16	UCF213-209D1	7 3/8	5 5/64	1 7/16	3/8	1 1/32	3/4	2 3/4	2.5630	1.000	3/8	UC213-209D1
70	UCF214D1	193	152	31	22	54	19	75.4	74.6	30.2	M16	UC214D1
2 3/8	UCF214-210D1											UC214-210D1
2 1 1/16	UCF214-211D1											UC214-211D1
2 7/4	UCF214-212D1	7 1/32	5 1/64	1 3/32	3/8	2 1/8	3/4	2 1/32	2.9370	1.189	3/8	UC214-212D1
75	UCF215D1	200	159	34	22	56	19	78.5	77.8	33.3	M16	UC215D1
2 1 1/16	UCF215-213D1											UC215-213D1
2 3/8	UCF215-214D1											UC215-214D1
2 1 1/16	UCF215-215D1	7 3/8	6 1 1/64	1 1 1/32	3/8	2 3/32	3/4	3 3/32	3.0630	1.311	3/8	UC215-215D1
3	UCF215-300D1											UC215-300D1
80	UCF216D1	208	165	34	22	58	23	83.3	82.6	33.3	M20	UC216D1
3 1/16	UCF216-301D1											UC216-301D1
3 1/8	UCF216-302D1	8 7/16	6 1/2	1 1 1/32	3/8	2 1/32	3/32	3 1/32	3.2520	1.311	3/4	UC216-302D1
3 7/16	UCF216-303D1											UC216-303D1

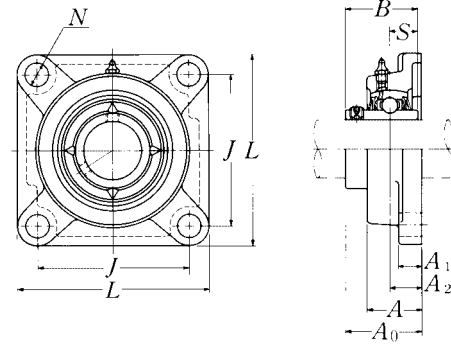
Remarks: 1) These numbers indicate relubricatable type. If maintenance free type is needed, please order without suffix "D1".

Note: Please refer to page 25 for size of grease fitting.

**Pressed steel dust cover type**Open end: **S-UCF...D1**Closed end: **SM-UCF...D1****Cast dust cover type**Open end: **C-UCF...D1**Closed end: **CM-UCF...D1**

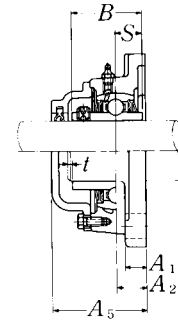
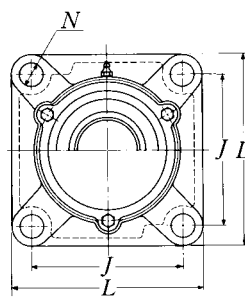
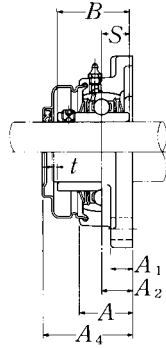
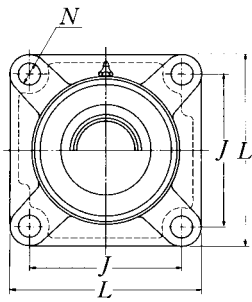
Housing number	Unit number pressed steel cover type	Unit number cast dust cover type	Nominal dimensions			Mass of unit		
			mm		inch	kg		lb
			t max.	A ₄	A ₅	UCF	S(SM)	C(CM)
F210D1	S(SM)-UCF210D1	C(CM)-UCF210D1	3	65.5	72	2.4	2.5	3.4
F210D1	S(SM)-UCF210-113D1	C(CM)-UCF210-113D1	1/8	2 1/32	2 3/32	5.3	5.5	7.5
F210D1	S(SM)-UCF210-114D1	C(CM)-UCF210-114D1						
F210D1	S(SM)-UCF210-115D1	C(CM)-UCF210-115D1						
F210D1	-	-						
F211D1	S(SM)-UCF211D1	C(CM)-UCF211D1	4	71	75	3.6	3.7	4.6
F211D1	S(SM)-UCF211-200D1	C(CM)-UCF211-200D1	3/32	2 3/32	2 1/16	7.9	8.2	10
F211D1	S(SM)-UCF211-201D1	C(CM)-UCF211-201D1						
F211D1	S(SM)-UCF211-202D1	C(CM)-UCF211-202D1						
F211D1	S(SM)-UCF211-203D1	C(CM)-UCF211-203D1						
F212D1	S(SM)-UCF212D1	C(CM)-UCF212D1	4	80	86	4.4	4.6	5.9
F212D1	S(SM)-UCF212-204D1	C(CM)-UCF212-204D1	3/32	3 3/32	3 7/8	9.7	10	13
F212D1	S(SM)-UCF212-205D1	C(CM)-UCF212-205D1						
F212D1	S(SM)-UCF212-206D1	C(CM)-UCF212-206D1						
F212D1	-	-						
F213D1	S(SM)-UCF213D1	C(CM)-UCF213D1	4	83.5	90	5.5	5.7	7.2
F213D1	S(SM)-UCF213-208D1	C(CM)-UCF213-208D1	3/32	3 3/32	3 1/32	12	13	16
F213D1	S(SM)-UCF213-209D1	C(CM)-UCF213-209D1						
F214D1	-	C(CM)-UCF214D1	4	-	98	6.1	-	7.8
F214D1	-	C(CM)-UCF214-210D1	3/32	-	3 3/32	13	-	17
F214D1	-	C(CM)-UCF214-211D1						
F214D1	-	C(CM)-UCF214-212D1						
F215D1	-	C(CM)-UCF215D1	4	-	102	6.9	-	8.6
F215D1	-	C(CM)-UCF215-213D1	3/32	-	4 1/32	15	-	19
F215D1	-	C(CM)-UCF215-214D1						
F215D1	-	C(CM)-UCF215-215D1						
F215D1	-	C(CM)-UCF215-300D1						
F216D1	-	C(CM)-UCF216D1	4	-	106	8.1	-	10
F216D1	-	C(CM)-UCF216-301D1	3/32	-	4 7/16	18	-	22
F216D1	-	C(CM)-UCF216-302D1						
F216D1	-	C(CM)-UCF216-303D1						

Flanged units cast housing Set screw type



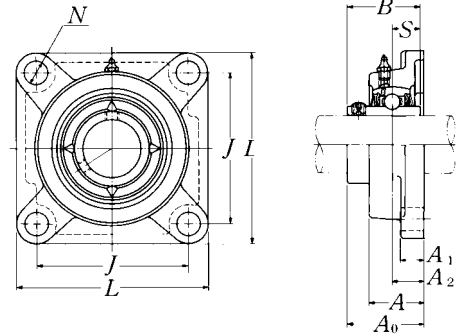
Shaft dia.	Unit number ¹⁾	Nominal dimensions									Bolt size	Bearing number
		<i>L</i>	<i>J</i>	<i>A</i> ₂	<i>A</i> ₁	<i>A</i>	<i>N</i>	<i>A</i> ₀	<i>B</i>	<i>S</i>		
mm inch					mm	inch					mm inch	
85 3 1/4	UCF217D1 UCF217-304D1	220	175	36	24	63	23	87.6	85.7	34.1	M20	UC217D1 UC217-304D1
3 7/16 3 7/16	UCF217-305D1 UCF217-307D1	8 1/32	6 7/64	1 1/64	1 1/16	2 1/32	1 1/32	3 1/64	3.3740	1.343	#4	UC217-305D1 UC217-307D1
90 3 1/2	UCF218D1 UCF218-308D1	235	187	40	24	68	23	96.3	96	39.7	M20	UC218D1 UC218-308D1
		9 1/4	7 7/64	1 3/64	1 1/16	2 1/16	1 1/32	3 1/64	3.7795	1.563	#4	

Remarks: 1) These numbers indicate relubricatable type. If maintenance free type is needed, please order without suffix "D1".
Note: Please refer to page 25 for size of grease fitting.

**Pressed steel dust cover type**Open end: **S-UCF...D1**Closed end: **SM-UCF...D1****Cast dust cover type**Open end: **C-UCF...D1**Closed end: **CM-UCF...D1**

Housing number	Unit number pressed steel dust cover type	Unit number cast dust cover type	Nominal dimensions			Mass of unit		
			mm		inch	kg		lb
			t max.	A ₄	A ₅	UCF	S(SM)	C(CM)
F217D1	-	C(CM)-UCF217D1	5	-	114	9.3	-	12
F217D1	-	C(CM)-UCF217-304D1	! #64</td <td>-</td> <td>4!2</td> <td>21</td> <td>-</td> <td>26</td>	-	4!2	21	-	26
F217D1	-	C(CM)-UCF217-305D1	! #64</td <td>-</td> <td>4!2</td> <td>21</td> <td>-</td> <td>26</td>	-	4!2	21	-	26
F217D1	-	C(CM)-UCF217-307D1	! #64</td <td>-</td> <td>4!2</td> <td>21</td> <td>-</td> <td>26</td>	-	4!2	21	-	26
F218D1	-	C(CM)-UCF218D1	5	-	122	11	-	15
F218D1	-	C(CM)-UCF218-308D1	! #64</td <td>-</td> <td>4!#716</td> <td>24</td> <td>-</td> <td>33</td>	-	4!#716	24	-	33

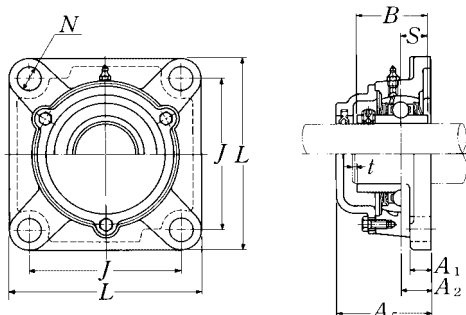
Flanged units cast housing Set screw type



Shaft dia.	Unit number ¹⁾	Nominal dimensions									Bolt size	Bearing number
		mm			inch			mm	inch			
mm inch		L	J	A ₂	A ₁	A	N	A ₀	B	S	mm inch	
25 1#7/16 #8 1#7/16 1	UCF305D1 UCF305-013D1 UCF305-014D1 UCF305-015D1 UCF305-100D1	110 4 11/32	80 3 3/32	16 #8	13 1/2	29 1 1/32	16 #8	39 1 1/32	38 1.4961	15 0.591	M14 #2	UC305D1 UC305-013D1 UC305-014D1 UC305-015D1 UC305-100D1
30 1 1/16 1 1/8 1#7/16	UCF306D1 UCF306-101D1 UCF306-102D1 UCF306-103D1	125 4 1/32	95 3 5/8	18 3/4	15 1/2	32 1 1/4	16 #8	44 1 5/8	43 1.6929	17 0.669	M14 #2	UC306D1 UC306-101D1 UC306-102D1 UC306-103D1
35 1 1/4 1 3/16 1#7/8 1#7/16	UCF307D1 UCF307-104D1 UCF307-105D1 UCF307-106D1 UCF307-107D1	135 5 1/16	100 3 1/16	20 #32	16 #8	36 1 1/32	19 #4	49 1 3/4	48 1.8898	19 0.748	M16 #8	UC307D1 UC307-104D1 UC307-105D1 UC307-106D1 UC307-107D1
40 1 1/2 1 7/16	UCF308D1 UCF308-108D1 UCF308-109D1	150 5 1/32	112 4 1/32	23 #32	17 #32	40 1 1/16	19 #4	56 2 1/8	52 2.0472	19 0.748	M16 #8	UC308D1 UC308-108D1 UC308-109D1
45 1#3/8 1 1/16 1#7/4	UCF309D1 UCF309-110D1 UCF309-111D1 UCF309-112D1	160 6 1/16	125 4 3/4	25 #64	18 #32	44 1 1/32	19 #4	60 2 3/8	57 2.2441	22 0.866	M16 #8	UC309D1 UC309-110D1 UC309-111D1 UC309-112D1
50 1 1/16 1#3/8 1 1/16	UCF310D1 UCF310-113D1 UCF310-114D1 UCF310-115D1	175 6 3/8	132 5 1/8	28 1 1/4	19 #4	48 1 3/8	23 #32	67 2 5/8	61 2.4016	22 0.866	M20 #4	UC310D1 UC310-113D1 UC310-114D1 UC310-115D1
55 2 2 1/16 2 1/8 2#7/16	UCF311D1 UCF311-200D1 UCF311-201D1 UCF311-202D1 UCF311-203D1	185 7 1/32	140 5 5/8	30 1 1/16	20 #32	52 2 1/16	23 #32	71 2 7/8	66 2.5984	25 0.984	M20 #4	UC311D1 UC311-200D1 UC311-201D1 UC311-202D1 UC311-203D1

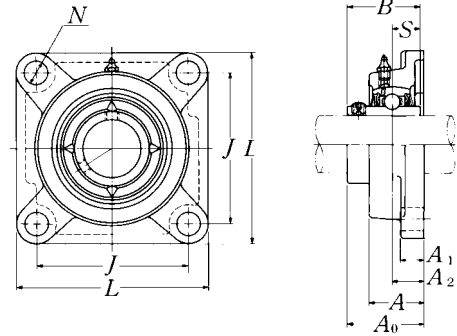
Remarks: 1) These numbers indicate relubricatable type. If maintenance free type is needed, please order without suffix "D1".

Note: Please refer to page 25 for size of grease fitting.

**Cast dust cover type**Open end: **C-UCF...D1**Closed end: **CM-UCF...D1**

Housing number	Unit number cast dust cover type	Nominal dimensions		Mass of unit	
		mm	inch	kg	lb
		t max.	A_5	UCP	C(CM)
F305D1	C(CM)-UCF305D1	2	56	1.1	1.6
F305D1	C(CM)-UCF305-013D1				
F305D1	C(CM)-UCF305-014D1	$\frac{3}{64}$	$2\frac{1}{32}$	2.4	3.5
F305D1	C(CM)-UCF305-015D1				
F305D1	C(CM)-UCF305-100D1				
F306D1	C(CM)-UCF306D1	2	60	1.6	2.2
F306D1	C(CM)-UCF306-101D1				
F306D1	C(CM)-UCF306-102D1	$\frac{3}{64}$	$2\frac{1}{8}$	3.5	4.9
F306D1	C(CM)-UCF306-103D1				
F307D1	C(CM)-UCF307D1	3	68	2.0	2.7
F307D1	C(CM)-UCF307-104D1				
F307D1	C(CM)-UCF307-105D1	$\frac{1}{8}$	$2\frac{1}{16}$	4.4	6.0
F307D1	C(CM)-UCF307-106D1				
F307D1	C(CM)-UCF307-107D1				
F308D1	C(CM)-UCF308D1	3	76	2.7	3.5
F308D1	C(CM)-UCF308-108D1	$\frac{1}{8}$	3	6.0	7.7
F308D1	C(CM)-UCF308-109D1				
F309D1	C(CM)-UCF309D1	3	80	3.4	4.5
F309D1	C(CM)-UCF309-110D1				
F309D1	C(CM)-UCF309-111D1	$\frac{1}{8}$	$3\frac{3}{32}$	7.5	9.9
F309D1	C(CM)-UCF309-112D1				
F310D1	C(CM)-UCF310D1	3	88	4.5	5.6
F310D1	C(CM)-UCF310-113D1				
F310D1	C(CM)-UCF310-114D1	$\frac{1}{8}$	$3\frac{1}{32}$	9.9	12
F310D1	C(CM)-UCF310-115D1				
F311D1	C(CM)-UCF311D1	4	92	5.5	7.6
F311D1	C(CM)-UCF311-200D1				
F311D1	C(CM)-UCF311-201D1	$\frac{3}{32}$	$3\frac{3}{8}$	12	17
F311D1	C(CM)-UCF311-202D1				
F311D1	C(CM)-UCF311-203D1				

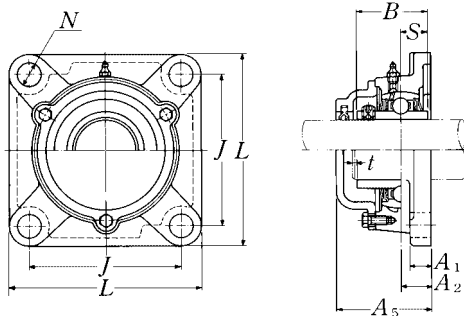
Flanged units cast housing Set screw type



Shaft dia.	Unit number ¹⁾	Nominal dimensions									Bolt size	Bearing number
		mm			inch			mm				
mm inch		L	J	A ₂	A ₁	A	N	A ₀	B	S	mm inch	
60 2 1/4 2 3/16 2 #8 2 3/16	UCF312D1 UCF312-204D1 UCF312-205D1 UCF312-206D1 UCF312-207D1	195 7 11/16	150 5 7/32	33 1 1/16	22 8/8	56 2 1/2	23 1 1/2	78 3 1/4	71 2.7953	26 1.024	M20 #4	UC312D1 UC312-204D1 UC312-205D1 UC312-206D1 UC312-207D1
65 2 1/2 2 7/16	UCF313D1 UCF313-208D1 UCF313-209D1	208 8 1/16	166 6 1/8	33 1 1/16	22 8/8	58 2 2/32	23 1 1/2	78 3 1/4	75 2.9528	30 1.181	M20 #4	UC313D1 UC313-208D1 UC313-209D1
70 2 3/8 2 11/16 2 3/4	UCF314D1 UCF314-210D1 UCF314-211D1 UCF314-212D1	226 8 7/32	178 6 1/8	36 1 1/8	25 1 1/32	61 2 1/32	25 1 1/4	81 3 1/16	78 3.0709	33 1.299	M22 8/8	UC314D1 UC314-210D1 UC314-211D1 UC314-212D1
75 2 11/16 2 3/8 2 11/16 3	UCF315D1 UCF315-213D1 UCF315-214D1 UCF315-215D1 UCF315-300D1	236 9 1/32	184 7 1/4	39 1 1/32	25 1 1/32	66 2 1/32	25 1 1/4	89 3 1/2	82 3.2283	32 1.260	M22 8/8	UC315D1 UC315-213D1 UC315-214D1 UC315-215D1 UC315-300D1
80 3 1/16 3 1/8 3 7/16	UCF316D1 UCF316-301D1 UCF316-302D1 UCF316-303D1	250 9 7/32	196 7 7/32	38 1 1/2	27 1 1/16	68 2 11/16	31 1 7/32	90 3 3/8	86 3.3858	34 1.339	M27 1	UC316D1 UC316-301D1 UC316-302D1 UC316-303D1
85 3 1/4 3 1/16 3 7/16	UCF317D1 UCF317-304D1 UCF317-305D1 UCF317-307D1	260 10 1/4	204 8 1/32	44 1 5/8	27 1 1/16	74 2 7/32	31 1 7/32	100 3 11/16	96 3.7795	40 1.575	M27 1	UC317D1 UC317-304D1 UC317-305D1 UC317-307D1
90 3 7/16 3 1/2	UCF318D1 UCF318-307D1 UCF318-308D1	280 11 1/32	216 8 1/2	44 1 5/8	30 1 7/16	76 3	35 1 3/8	100 3 11/16	96 3.7795	40 1.575	M30 1 1/8	UC318D1 UC318-307D1 UC318-308D1

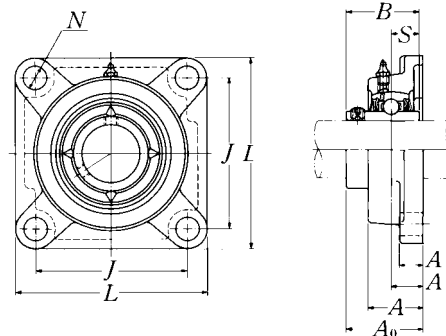
Remarks: 1) These numbers indicate relubricatable type. If maintenance free type is needed, please order without suffix "D1".

Note: Please refer to page 25 for size of grease fitting.

**Cast dust cover type**Open end: **C-UCF...D1**Closed end: **CM-UCF...D1**

Housing number	Unit number cast dust cover type	Nominal dimensions		Mass of unit	
		mm <i>t</i> max.	inch <i>A₅</i>	kg UCP	lb C(CM)
F312D1	C(CM)-UCF312D1	4	100	6.5	8.6
F312D1	C(CM)-UCF312-204D1				
F312D1	C(CM)-UCF312-205D1	$\frac{3}{32}$	$3\frac{1}{16}$	14	19
F312D1	C(CM)-UCF312-206D1				
F312D1	C(CM)-UCF312-207D1				
F313D1	C(CM)-UCF313D1	4	103	7.9	10
F313D1	C(CM)-UCF313-208D1	$\frac{3}{32}$	$4\frac{1}{16}$	17	22
F313D1	C(CM)-UCF313-209D1				
F314D1	C(CM)-UCF314D1	4	106	9.5	13
F314D1	C(CM)-UCF314-210D1				
F314D1	C(CM)-UCF314-211D1	$\frac{3}{32}$	$4\frac{7}{16}$	21	29
F314D1	C(CM)-UCF314-212D1				
F315D1	C(CM)-UCF315D1	4	114	12	14
F315D1	C(CM)-UCF315-213D1				
F315D1	C(CM)-UCF315-214D1	$\frac{3}{32}$	$4\frac{1}{2}$	26	31
F315D1	C(CM)-UCF315-215D1				
F315D1	C(CM)-UCF315-300D1				
F316D1	C(CM)-UCF316D1	4	116	14	18
F316D1	C(CM)-UCF316-301D1				
F316D1	C(CM)-UCF316-302D1	$\frac{3}{32}$	$4\frac{7}{16}$	31	40
F316D1	C(CM)-UCF316-303D1				
F317D1	C(CM)-UCF317D1	5	129	16	21
F317D1	C(CM)-UCF317-304D1				
F317D1	C(CM)-UCF317-305D1	$\frac{1}{16}$	$5\frac{3}{32}$	35	46
F317D1	C(CM)-UCF317-307D1				
F318D1	C(CM)-UCF318D1	5	129	19	24
F318D1	C(CM)-UCF318-307D1	$\frac{1}{16}$	$5\frac{3}{32}$	42	53
F318D1	C(CM)-UCF318-308D1				

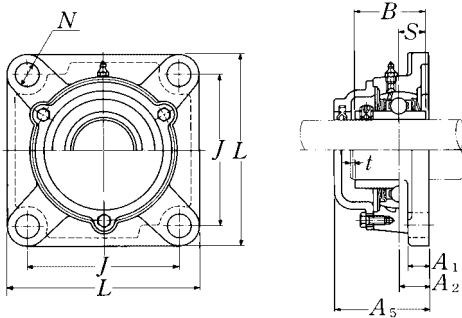
Flanged units cast housing Set screw type



Shaft dia.	Unit number ¹⁾	Nominal dimensions									Bolt size	Bearing number
		mm			inch							
mm inch		L	J	A ₂	A ₁	A	N	A ₀	B	S	mm inch	
95	UCF319D1	290	228	59	30	94	35	121	103	41	M30	UC319D1
3³/₈	UCF319-310D1											UC319-310D1
3¹/₂	UCF319-311D1	11 ¹ / ₈	8 ¹ / ₂	2 ¹ / ₄	1 ¹ / ₄	3 ¹ / ₂	1 ³ / ₈	4 ⁵ / ₈	4.0551	1.614	1 ¹ / ₈	UC319-311D1
3⁷/₈	UCF319-312D1											UC319-312D1
100	UCF320D1	310	242	59	32	94	38	125	108	42	M33	UC320D1
3¹/₂	UCF320-313D1											UC320-313D1
3³/₈	UCF320-314D1	12 ¹ / ₂	9 ¹ / ₂	2 ¹ / ₄	1 ¹ / ₄	3 ¹ / ₂	1 ¹ / ₂	4 ¹ / ₈	4.2520	1.654	1 ¹ / ₄	UC320-314D1
3¹/₂	UCF320-315D1											UC320-315D1
4	UCF320-400D1											UC320-400D1
105	UCF321D1	310	242	59	32	94	38	127	112	44	M33	UC321D1
110	UCF322D1	340	266	60	35	96	41	131	117	46	M36	UC322D1
120	UCF324D1	370	290	65	40	110	41	140	126	51	M36	UC324D1
130	UCF326D1	410	320	65	45	115	41	146	135	54	M36	UC326D1
140	UCF328D1	450	350	75	55	125	41	161	145	59	M36	UC328D1

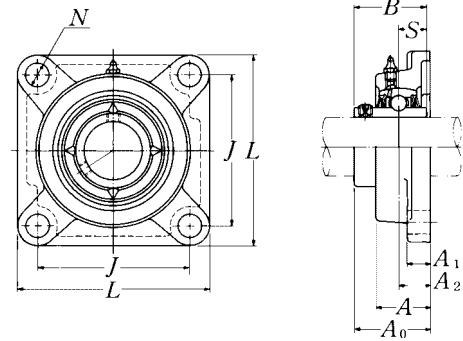
Remarks: 1) These numbers indicate relubricatable type. If maintenance free type is needed, please order without suffix "D1".

Note: Please refer to page 25 for size of grease fitting.

**Cast dust cover type**Open end: **C-UCF...D1**Closed end: **CM-UCF...D1**

Housing number	Unit number cast dust cover type	Nominal dimensions		Mass of unit	
		mm	inch	kg	lb
		t max.	A_5	UCP	C(CM)
F319D1	C(CM)-UCF319D1	5	149	22	27
F319D1	C(CM)-UCF319-310D1				
F319D1	C(CM)-UCF319-311D1	!#%4	5&8	49	60
F319D1	C(CM)-UCF319-312D1				
F320D1	C(CM)-UCF320D1	5	154	26	32
F320D1	C(CM)-UCF320-313D1				
F320D1	C(CM)-UCF320-314D1	!#%4	6!76	57	71
F320D1	C(CM)-UCF320-315D1				
F320D1	C(CM)-UCF320-400D1				
F321D1	C(CM)-UCF321D1	5	156	27	33
F322D1	C(CM)-UCF322D1	5	160	38	45
F324D1	C(CM)-UCF324D1	5	172	50	60
F326D1	C(CM)-UCF326D1	6	178	66	78
F328D1	C(CM)-UCF328D1	6	192	90	106

Flanged units cast housing Set screw type



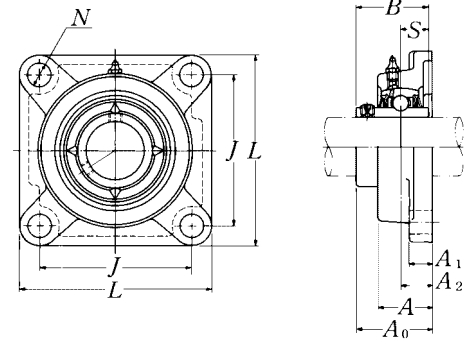
Shaft dia.	Unit number ¹⁾	Nominal dimensions									Bolt size	Bearing number
		mm			inch			mm				
mm inch		L	J	A ₂	A ₁	A	N	A ₀	B	S	mm inch	
25 1#716 &B 1#716 1	UCFX05D1 UCFX05-013D1 UCFX05-014D1 UCFX05-015D1 UCFX05-100D1	108 4 1/4	83 3 1/8	18 3/4	13 1/2	30 1 1/8	12 1/2	40.2 1 5/8	38.1 1.5000	15.9 0.626	M10 #8	UCX05D1 UCX05-013D1 UCX05-014D1 UCX05-015D1 UCX05-100D1
30 1 1/16 1 1/8 1 7/16 1 1/4	UCFX06D1 UCFX06-101D1 UCFX06-102D1 UCFX06-103D1 UCFX06-104D1	117 4 1/2	92 3 3/8	19 3/4	14 1/2	34 1 1/8	16 5/8	44.4 1 3/4	42.9 1.6890	17.5 0.689	M14 1/2	UCX06D1 UCX06-101D1 UCX06-102D1 UCX06-103D1 UC207-104D1
35 1 1/8 1 7/8 1 7/16	UCFX07D1 UCFX07-105D1 UCFX07-106D1 UCFX07-107D1	130 5 1/8	102 4 1/4	21 7/8	14 1/2	38 1 1/2	16 5/8	51.2 2 1/4	49.2 1.9370	19 0.748	M14 1/2	UCX07D1 UCX07-105D1 UCX07-106D1 UCX07-107D1
40 1 1/2 1 7/16	UCFX08D1 UCFX08-108D1 UCFX08-109D1	137 5 1/8	105 4 1/8	22 7/8	14 1/2	40 1 1/8	19 3/4	52.2 2 1/16	49.2 1.9370	19 0.748	M16 3/8	UCX08D1 UCX08-108D1 UCX08-109D1
45 1 3/8 1 1/16 1 7/4 1 1/16	UCFX09D1 UCFX09-110D1 UCFX09-111D1 UCFX09-112D1 UCFX09-113D1	143 5 3/8	111 4 3/8	23 @3/2	14 1/2	40 1 1/8	19 3/4	55.6 2 1/16	51.6 2.0315	19 0.748	M16 3/8	UCX09D1 UCX09-110D1 UCX09-111D1 UCX09-112D1 UC210-113D1
50 1 3/8 1 1/16 2	UCFX10D1 UCFX10-114D1 UCFX10-115D1 UCFX10-200D1	162 6 3/8	130 5 1/8	26 1 1/2	20 @3/2	44 1 7/8	19 3/4	59.4 2 1/16	55.6 2.1890	22.2 0.874	M16 3/8	UCX10D1 UCX10-114D1 UCX10-115D1 UC211-200D1

Remarks: 1) These numbers indicate relubricatable type. If maintenance free type is needed, please order without suffix "D1".

Note: Please refer to page 25 for size of grease fitting.

Housing number	Mass of unit	
	kg	lb
FX05D1	1.0	
FX05D1		
FX05D1	2.2	
FX05D1		
FX05D1		
FX06D1	1.7	
FX06D1		
FX06D1	3.7	
FX06D1		
FX06D1		
FX07D1	2.1	
FX07D1		
FX07D1	4.6	
FX07D1		
FX08D1	2.4	
FX08D1		
FX08D1	5.3	
FX09D1	2.5	
FX09D1		
FX09D1	5.5	
FX09D1		
FX09D1		
FX10D1	3.9	
FX10D1		
FX10D1	8.6	
FX10D1		

Flanged units cast housing Set screw type



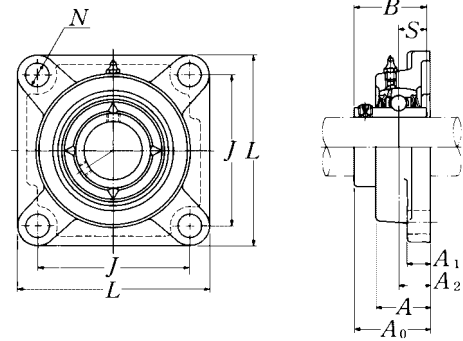
Shaft dia.	Unit number ¹⁾	Nominal dimensions									Bolt size	Bearing number
		mm			inch			mm				
mm inch		L	J	A ₂	A ₁	A	N	A ₀	B	S	mm inch	
55	UCFX11D1	175	143	29	20	49	19	68.7	65.1	25.4	M16	UCX11D1
2 ¹ / ₁₆	UCFX11-201D1											UCX11-201D1
2 ¹ / ₈	UCFX11-202D1											UCX11-202D1
2 ⁷ / ₁₆	UCFX11-203D1	6 ⁸ / ₈	5 ⁸ / ₈	1 ¹ / ₆₄	3 ² / ₃₂	1 ¹ / ₁₆	7 ⁴ / ₄	2 ⁵ / ₆₄	2.5630	1.000	3 ⁸ / ₈	UCX11-203D1
2 ¹ / ₄	UCFX11-204D1											UC212-204D1
2 ³ / ₁₆	UCFX11-205D1											UC212-205D1
60	UCFX12D1	187	149	34	21	59	19	73.7	65.1	25.4	M16	UCX12D1
2 ³ / ₈	UCFX12-206D1	7 ⁸ / ₈	5 ⁵ / ₆₄	1 ¹ / ₃₂	1 ¹ / ₁₆	2 ³ / ₁₆	7 ⁴ / ₄	2 ⁶ / ₃₂	2.5630	1.000	3 ⁸ / ₈	UCX12-206D1
2 ⁷ / ₁₆	UCFX12-207D1											UCX12-207D1
65	UCFX13D1	187	149	34	21	59	19	78.4	74.6	30.2	M16	UCX13D1
2 ¹ / ₂	UCFX13-208D1	7 ⁸ / ₈	5 ⁵ / ₆₄	1 ¹ / ₃₂	1 ¹ / ₁₆	2 ³ / ₁₆	7 ⁴ / ₄	3 ⁷ / ₃₂	2.9370	1.189	3 ⁸ / ₈	UCX13-208D1
2 ⁷ / ₁₆	UCFX13-209D1											UCX13-209D1
70	UCFX14D1	197	152	37	24	60	23	81.5	77.8	33.3	M20	UCX14D1
2 ³ / ₈	UCFX14-210D1											UCX14-210D1
2 ¹ / ₁₆	UCFX14-211D1	7 ⁷ / ₄	5 ¹ / ₆₄	1 ⁶ / ₆₄	1 ¹ / ₁₆	2 ³ / ₈	2 ³ / ₃₂	3 ¹ / ₆₄	3.0630	1.311	7 ⁴ / ₄	UCX14-211D1
2 ³ / ₄	UCFX14-212D1											UCX14-212D1
75	UCFX15D1	197	152	40	24	68	23	89.3	82.6	33.3	M20	UCX15D1
2 ¹ / ₁₆	UCFX15-213D1											UCX15-213D1
2 ³ / ₈	UCFX15-214D1	7 ⁷ / ₄	5 ¹ / ₆₄	1 ⁸ / ₆₄	1 ¹ / ₁₆	2 ¹ / ₁₆	2 ³ / ₃₂	3 ³ / ₆₄	3.2520	1.311	7 ⁴ / ₄	UCX15-214D1
2 ¹ / ₁₆	UCFX15-215D1											UCX15-215D1
3	UCFX15-300D1											UCX15-300D1
80	UCFX16D1	214	171	40	24	70	23	91.6	85.7	34.1	M20	UCX16D1
3 ¹ / ₁₆	UCFX16-301D1											UCX16-301D1
3 ¹ / ₈	UCFX16-302D1	8 ⁸ / ₁₆	6 ⁵ / ₆₄	1 ⁸ / ₆₄	1 ¹ / ₁₆	2 ⁷ / ₄	2 ³ / ₃₂	3 ⁷ / ₆₄	3.3740	1.343	7 ⁴ / ₄	UCX16-302D1
3 ⁷ / ₁₆	UCFX16-303D1											UCX16-303D1
3 ¹ / ₄	UCFX16-304D1											UC217-304D1
85	UCFX17D1	214	171	40	24	70	23	96.3	96	39.7	M20	UCX17D1
3 ³ / ₁₆	UCFX17-305D1	8 ⁸ / ₁₆	6 ⁵ / ₆₄	1 ⁸ / ₆₄	1 ¹ / ₁₆	2 ⁷ / ₄	2 ³ / ₃₂	3 ¹ / ₆₄	3.7795	1.563	7 ⁴ / ₄	UCX17-305D1
3 ⁸ / ₁₆	UCFX17-307D1											UCX17-307D1

Remarks: 1) These numbers indicate relubricatable type. If maintenance free type is needed, please order without suffix "D1".

Note: Please refer to page 25 for size of grease fitting.

Housing number	Mass of unit	
	kg	lb
FX11D1	4.9	
FX11D1		
FX11D1		
FX11D1	11	
FX11D1		
FX11D1		
FX12D1	5.2	
FX12D1		
FX12D1	11	
FX13D1	5.3	
FX13D1		
FX13D1	12	
FX14D1	7.3	
FX14D1		
FX14D1	16	
FX14D1		
FX15D1	8.1	
FX15D1		
FX15D1		
FX15D1	18	
FX15D1		
FX16D1	9.9	
FX16D1		
FX16D1		
FX16D1	22	
FX16D1		
FX17D1	11	
FX17D1		
FX17D1	24	

Flanged units cast housing Set screw type

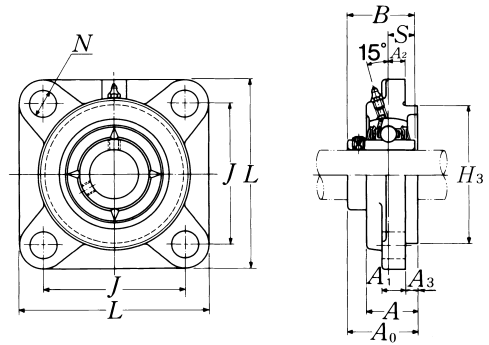


Shaft dia.	Unit number ¹⁾	Nominal dimensions									Bolt size	Bearing number
		mm			inch							
mm inch		<i>L</i>	<i>J</i>	<i>A₂</i>	<i>A₁</i>	<i>A</i>	<i>N</i>	<i>A₀</i>	<i>B</i>	<i>S</i>	mm inch	
90	UCFX18D1	214	171	45	24	76	23	106.1	104	42.9	M20	UCX18D1
3 1/16	UCFX18-307D1	8 7/16	6 5/8	1 3/4	1 1/2	3	1 1/2	4 1/8	4.0945	1.689	#4	UCX18-307D1
3 1/2	UCFX18-308D1											UCX18-308D1
100	UCFX20D1	268	211	59	31	97	31	127.3	117.5	49.2	M27	UCX20D1
3 1/8	UCFX20-313D1											UCX20-313D1
3 3/8	UCFX20-314D1	10 7/16	8 1/16	2 1/4	1 3/8	3 1/8	1 3/8	5 1/4	4.6260	1.937	1	UCX20-314D1
3 1/2	UCFX20-315D1											UCX20-315D1
4	UCFX20-400D1											UCX20-400D1

Remarks: 1) These numbers indicate relubricatable type. If maintenance free type is needed, please order without suffix "D1".
Note: Please refer to page 25 for size of grease fitting.

Housing number	Mass of unit
	kg lb
FX18D1	11
FX18D1	24
FX18D1	
FX20D1	17
FX20D1	
FX20D1	37
FX20D1	
FX20D1	

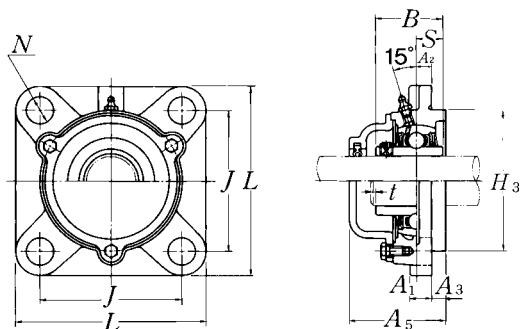
Flanged cartridge units cast housing Set screw type



Shaft dia.	Unit number ¹⁾	Nominal dimensions											Bolt size
		mm						inch					
mm inch		L	J	A ₂	N	A ₃	A ₁	A	H ₃	A ₀	B	S	mm inch
25	UCFS305D1	110	80	9	16	7	13	29	80	39	38	15	M14
1#7/16 & 1#7/16	UCFS305-013D1 UCFS305-014D1 UCFS305-015D1 UCFS305-100D1	4 1/32	3 3/32	9/64	5/8	7/32	1/2	1 1/64	3.1496	1 1/32	1.4961	0.591	1/2
30	UCFS306D1	125	95	10	16	8	15	32	90	44	43	17	M14
1 1/16 1 1/8 1#7/16	UCFS306-101D1 UCFS306-102D1 UCFS306-103D1	4 7/32	3 5/16	9/64	5/8	7/16	1 1/32	1 1/64	3.5433	1 5/16	1.6929	0.669	1/2
35	UCFS307D1	135	100	11	19	9	16	36	100	49	48	19	M16
1 1/4 1 1/16 1#3/8 1#7/16	UCFS307-104D1 UCFS307-105D1 UCFS307-106D1 UCFS307-107D1	5 1/16	3 1/16	11/16	3/4	9/16	1	1 1/32	3.9370	1 3/8	1.8898	0.748	3/8
40	UCFS308D1	150	112	13	19	10	17	40	115	56	52	19	M16
1 1/2 1 7/16	UCFS308-108D1 UCFS308-109D1	5 7/32	4 1/32	13/64	3/4	1 1/16	1 1/32	1 1/8	4.5276	2 1/8	2.0472	0.748	3/8
45	UCFS309D1	160	125	14	19	11	18	44	125	60	57	22	M16
1 3/8 1 1/16 1#7/16	UCFS309-110D1 UCFS309-111D1 UCFS309-112D1	6 1/16	4 3/16	14/64	3/4	1 1/16	1 1/32	1 5/16	4.9213	2 3/16	2.2441	0.866	3/8
50	UCFS310D1	175	132	16	23	12	19	48	140	67	61	22	M20
1 1/2 1 3/8 1 1/16	UCFS310-113D1 UCFS310-114D1 UCFS310-115D1	6 3/8	5 1/16	16/64	1 1/32	1 1/16	1 1/32	1 3/8	5.5118	2 5/16	2.4016	0.866	3/4
55	UCFS311D1	185	140	17	23	13	20	52	150	71	66	25	M20
2 2 1/16 2 1/8 2#7/16	UCFS311-200D1 UCFS311-201D1 UCFS311-202D1 UCFS311-203D1	7 1/32	5 1/16	17/64	1 1/32	1 1/16	1 1/32	2 1/16	5.9055	2 5/16	2.5984	0.984	3/4

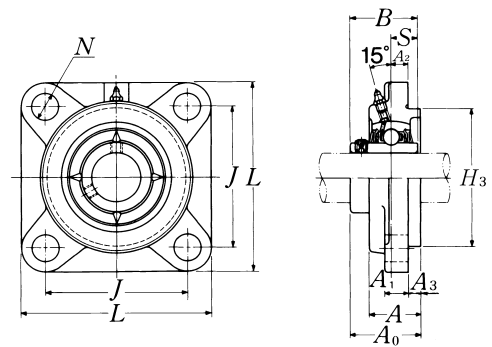
Remarks: 1) These numbers indicate relubricatable type. If maintenance free type is needed, please order without suffix "D1".

Note: Please refer to page 25 for size of grease fitting.

**Cast dust cover type**Open end: **C-UCFS...D1**Closed end: **CM-UCFS...D1**

Bearing number	Housing number	Unit number cast dust cover type	Nominal dimensions		Mass of unit	
			mm <i>t</i> max.	inch <i>A</i> ₅	kg UCFS	lb C(CM)
UC305D1	FS305D1	C(CM)-UCFS305D1	2	56	1.3	1.8
UC305-013D1	FS305D1	C(CM)-UCFS305-013D1				
UC305-014D1	FS305D1	C(CM)-UCFS305-014D1	$\frac{3}{16}$	2 $\frac{1}{2}$ #64	2.9	4.0
UC305-015D1	FS305D1	C(CM)-UCFS305-015D1				
UC305-100D1	FS305D1	C(CM)-UCFS305-100D1				
UC306D1	FS306D1	C(CM)-UCFS306D1	2	60	1.9	2.4
UC306-101D1	FS306D1	C(CM)-UCFS306-101D1				
UC306-102D1	FS306D1	C(CM)-UCFS306-102D1	$\frac{3}{16}$	2 $\frac{1}{2}$ #64	4.2	5.3
UC306-103D1	FS306D1	C(CM)-UCFS306-103D1				
UC307D1	FS307D1	C(CM)-UCFS307D1	3	67	2.4	3.0
UC307-104D1	FS307D1	C(CM)-UCFS307-104D1				
UC307-105D1	FS307D1	C(CM)-UCFS307-105D1				
UC307-106D1	FS307D1	C(CM)-UCFS307-106D1	$\frac{1}{8}$	2 $\frac{1}{2}$ #64	5.3	6.6
UC307-107D1	FS307D1	C(CM)-UCFS307-107D1				
UC308D1	FS308D1	C(CM)-UCFS308D1	3	76	3.3	4.1
UC308-108D1	FS308D1	C(CM)-UCFS308-108D1				
UC308-109D1	FS308D1	C(CM)-UCFS308-109D1	$\frac{1}{8}$	2 $\frac{1}{2}$ #64	7.3	9.0
UC309D1	FS309D1	C(CM)-UCFS309D1	3	80	4.0	5.1
UC309-110D1	FS309D1	C(CM)-UCFS309-110D1				
UC309-111D1	FS309D1	C(CM)-UCFS309-111D1	$\frac{1}{8}$	3 $\frac{3}{32}$	8.8	11
UC309-112D1	FS309D1	C(CM)-UCFS309-112D1				
UC310D1	FS310D1	C(CM)-UCFS310D1	3	88	5.3	6.7
UC310-113D1	FS310D1	C(CM)-UCFS310-113D1				
UC310-114D1	FS310D1	C(CM)-UCFS310-114D1	$\frac{1}{8}$	3 $\frac{1}{32}$	12	15
UC310-115D1	FS310D1	C(CM)-UCFS310-115D1				
UC311D1	FS311D1	C(CM)-UCFS311D1	4	93	6.2	8.2
UC311-200D1	FS311D1	C(CM)-UCFS311-200D1				
UC311-201D1	FS311D1	C(CM)-UCFS311-201D1				
UC311-202D1	FS311D1	C(CM)-UCFS311-202D1	$\frac{3}{32}$	3 $\frac{1}{32}$	14	18
UC311-203D1	FS311D1	C(CM)-UCFS311-203D1				

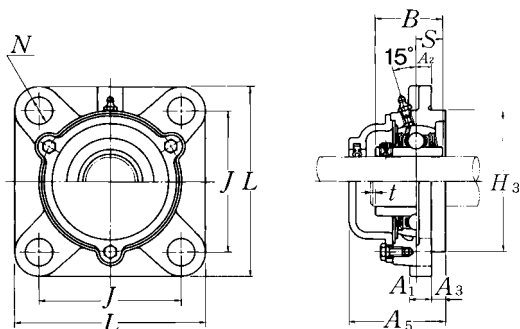
Flanged cartridge units cast housing Set screw type



Shaft dia. mm inch	Unit number ¹⁾	Nominal dimensions											Bolt size mm inch
		L	J	A ₂	N	A ₃	A ₁	A	H ₃	A ₀	B	S	
60 2 1/4 2 2/16 2 #8 2 2/16	UCFS312D1 UCFS312-204D1 UCFS312-205D1 UCFS312-206D1 UCFS312-207D1	195 7 1/16	150 5 3/32	19 #4	23 1 1/32	14 #3/64	22 8/8	56 2 1/16	160 6.2992	78 3 1/64	71 2.7953	26 1.024	M20 #4
65 2 1/2 2 7/16	UCFS313D1 UCFS313-208D1 UCFS313-209D1	208 8 7/16	166 6 1/32	15 1/32	23 1 1/32	18 5/64	22 8/8	58 2 1/32	175 6.8898	78 3 1/64	75 2.9528	30 1.181	M20 #4
70 2 3/8 2 1/16 2 7/4	UCFS314D1 UCFS314-210D1 UCFS314-211D1 UCFS314-212D1	226 8 1/32	178 7 1/64	18 5/64	25 1 1/64	18 5/64	25 #1/32	61 2 1/32	185 7.2835	81 3 1/16	78 3.0709	33 1.299	M22 8/8
75 2 1/16 2 3/8 2 1/16 3	UCFS315D1 UCFS315-213D1 UCFS315-214D1 UCFS315-215D1 UCFS315-300D1	236 9 1/32	184 7 1/4	21 5/64	25 1 1/64	18 5/64	25 #1/32	66 2 1/32	200 7.8740	89 3 1/2	82 3.2283	32 1.260	M22 8/8
80 3 1/16 3 1/8 3 7/16	UCFS316D1 UCFS316-301D1 UCFS316-302D1 UCFS316-303D1	250 9 1/32	196 7 11/32	18 5/64	31 1 1/32	20 1/32	27 1 1/16	68 2 5/64	210 8.2677	90 3 5/64	86 3.3858	34 1.339	M27 1
85 3 1/4 3 2/16 3 2/16	UCFS317D1 UCFS317-304D1 UCFS317-305D1 UCFS317-307D1	260 10 1/4	204 8 1/32	24 1 1/16	31 1 1/32	20 1/32	27 1 1/16	74 2 1/32	220 8.6614	100 3 1/16	96 3.7795	40 1.575	M27 1
90 3 2/16 3 1/2	UCFS318D1 UCFS318-307D1 UCFS318-308D1	280 11 1/32	216 8 1/2	24 1 1/16	35 1 3/8	20 1/32	30 1 1/16	76 2 5/64	240 9.4488	100 3 1/16	96 3.7795	40 1.575	M30 1 1/8

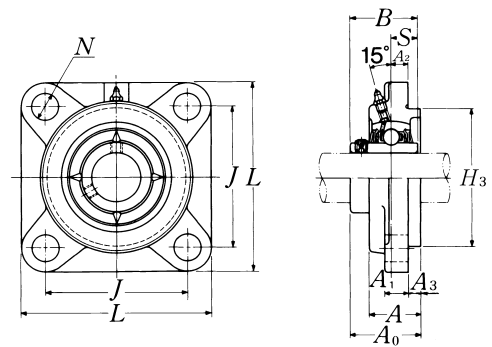
Remarks: 1) These numbers indicate relubricatable type. If maintenance free type is needed, please order without suffix "D1".

Note: Please refer to page 25 for size of grease fitting.

**Cast dust cover type**Open end: **C-UCFS...D1**Closed end: **CM-UCFS...D1**

Bearing number	Housing number	Unit number cast dust cover type	Nominal dimensions		Mass of unit	
			mm	inch	kg	lb
			<i>t</i> max.	<i>A</i> ₅	UCFS	C(CM)
UC312D1	FS312D1	C(CM)-UCFS312D1	4	100	7.2	9.0
UC312-204D1	FS312D1	C(CM)-UCFS312-204D1				
UC312-205D1	FS312D1	C(CM)-UCFS312-205D1	$\frac{3}{32}$	$3\frac{1}{16}$	16	20
UC312-206D1	FS312D1	C(CM)-UCFS312-206D1				
UC312-207D1	FS312D1	C(CM)-UCFS312-207D1				
UC313D1	FS313D1	C(CM)-UCFS313D1	4	103	8.9	11
UC313-208D1	FS313D1	C(CM)-UCFS313-208D1	$\frac{3}{32}$	$4\frac{1}{16}$	20	24
UC313-209D1	FS313D1	C(CM)-UCFS313-209D1				
UC314D1	FS314D1	C(CM)-UCFS314D1	4	106	11	14
UC314-210D1	FS314D1	C(CM)-UCFS314-210D1				
UC314-211D1	FS314D1	C(CM)-UCFS314-211D1	$\frac{3}{32}$	$4\frac{1}{16}$	24	31
UC314-212D1	FS314D1	C(CM)-UCFS314-212D1				
UC315D1	FS315D1	C(CM)-UCFS315D1	4	114	13	15
UC315-213D1	FS315D1	C(CM)-UCFS315-213D1				
UC315-214D1	FS315D1	C(CM)-UCFS315-214D1	$\frac{3}{32}$	$4\frac{1}{16}$	29	33
UC315-215D1	FS315D1	C(CM)-UCFS315-215D1				
UC315-300D1	FS315D1	C(CM)-UCFS315-300D1				
UC316D1	FS316D1	C(CM)-UCFS316D1	4	116	15	18
UC316-301D1	FS316D1	C(CM)-UCFS316-301D1				
UC316-302D1	FS316D1	C(CM)-UCFS316-302D1	$\frac{3}{32}$	$4\frac{1}{16}$	33	40
UC316-303D1	FS316D1	C(CM)-UCFS316-303D1				
UC317D1	FS317D1	C(CM)-UCFS317D1	5	129	17	22
UC317-304D1	FS317D1	C(CM)-UCFS317-304D1				
UC317-305D1	FS317D1	C(CM)-UCFS317-305D1	$\frac{1}{16}$	$5\frac{5}{16}$	37	49
UC317-307D1	FS317D1	C(CM)-UCFS317-307D1				
UC318D1	FS318D1	C(CM)-UCFS318D1	5	129	21	26
UC318-307D1	FS318D1	C(CM)-UCFS318-307D1	$\frac{1}{16}$	$5\frac{5}{16}$	46	57
UC318-308D1	FS318D1	C(CM)-UCFS318-308D1				

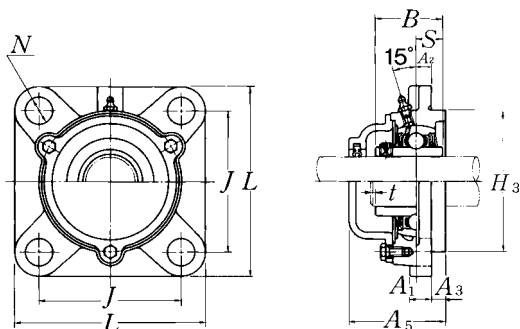
Flanged cartridge units cast housing Set screw type



Shaft dia.	Unit number ¹⁾	Nominal dimensions											Bolt size
		mm						inch					
mm inch		L	J	A ₂	N	A ₃	A ₁	A	H ₃	A ₀	B	S	mm inch
95	UCFS319D1	290	228	39	35	20	30	94	250	121	103	41	M30
3^{3/8}	UCFS319-310D1												
3 1/16	UCFS319-311D1	11 1/32	8 1/32	1 1/32	1 7/8	3/32	1 1/16	3 5/64	9.8425	4 5/64	4.0551	1.614	1 1/8
3 7/4	UCFS319-312D1												
100	UCFS320D1	310	242	39	38	20	32	94	260	125	108	42	M33
3 1/16	UCFS320-313D1												
3 3/8	UCFS320-314D1	12 3/32	9 1/32	1 1/32	1 1/2	3/32	1 1/4	3 5/64	10.2362	4 1/64	4.2520	1.654	1 1/4
3 1/16	UCFS320-315D1												
4	UCFS320-400D1												
105	UCFS321D1	310	242	39	38	20	32	94	260	127	112	44	M33
110	UCFS322D1	340	266	35	41	25	35	96	300	131	117	46	M36
120	UCFS324D1	370	290	35	41	30	40	110	330	140	126	51	M36
130	UCFS326D1	410	320	35	41	30	45	115	360	146	135	54	M36
140	UCFS328D1	450	350	45	41	30	55	125	400	161	145	59	M36

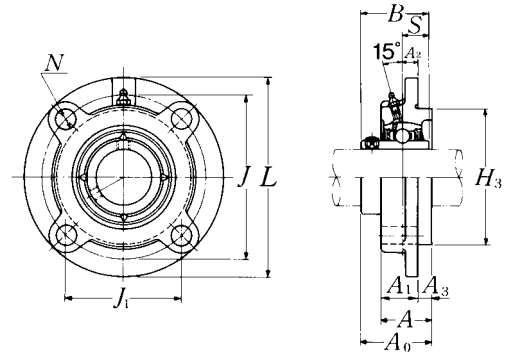
Remarks: 1) These numbers indicate relubricatable type. If maintenance free type is needed, please order without suffix "D1".

Note: Please refer to page 25 for size of grease fitting.

**Cast dust cover type**Open end: **C-UCFS...D1**Closed end: **CM-UCFS...D1**

Bearing number	Housing number	Unit number cast dust cover type	Nominal dimensions		Mass of unit	
			mm	inch	kg	lb
			<i>t</i> max.	<i>A</i> ₅	UCFS	C(CM)
UC319D1	FS319D1	C(CM)-UCFS319D1	5	149	25	30
UC319-310D1	FS319D1	C(CM)-UCFS319-310D1				
UC319-311D1	FS319D1	C(CM)-UCFS319-311D1	!#%4	5%664	55	66
UC319-312D1	FS319D1	C(CM)-UCFS319-312D1				
UC320D1	FS320D1	C(CM)-UCFS320D1	5	154	30	34
UC320-313D1	FS320D1	C(CM)-UCFS320-313D1				
UC320-314D1	FS320D1	C(CM)-UCFS320-314D1	!#%4	6!76	66	75
UC320-315D1	FS320D1	C(CM)-UCFS320-315D1				
UC320-400D1	FS320D1	C(CM)-UCFS320-400D1				
UC321D1	FS321D1	C(CM)-UCFS321D1	5	156	29	37
UC322D1	FS322D1	C(CM)-UCFS322D1	5	160	39	47
UC324D1	FS324D1	C(CM)-UCFS324D1	5	172	54	63
UC326D1	FS326D1	C(CM)-UCFS326D1	6	178	71	84
UC328D1	FS328D1	C(CM)-UCFS328D1	6	192	100	119

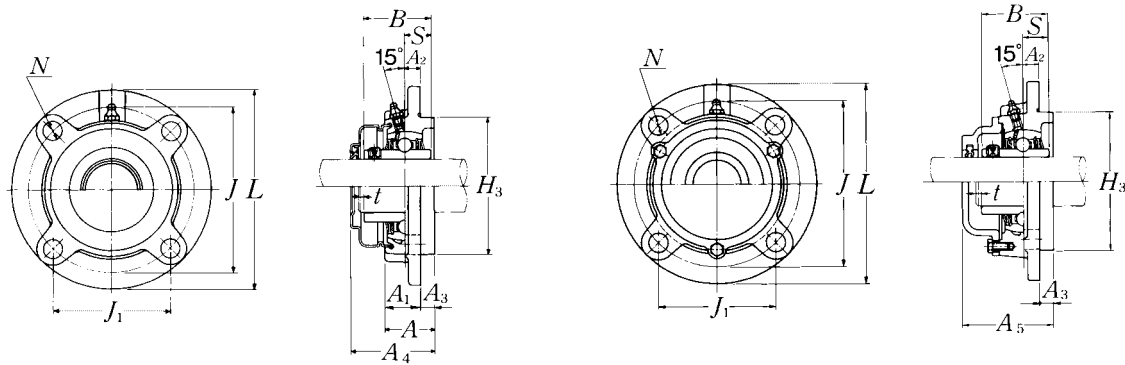
Flanged cartridge units cast housing Set screw type



Shaft dia. mm inch	Unit number ¹⁾	Nominal dimensions													Bolt size mm inch
		mm						inch							
		L	J	J _i	A ₂	N	A ₃	A ₁	A	H ₃	A ₀	B	S		
12 1/2	UCFC201D1 UCFC201-008D1	100 3 15/16	78 3 1/4	55.1 2 11/16	10 3/8	12 1/2	5 1/8	20.5 1 1/4	25.5 1	62 2.4409	33.3 1 1/8	31 1.2205	12.7 0.500	M10 #8	
15 1/2 3/8	UCFC202D1 UCFC202-009D1 UCFC202-010D1	100 3 15/16	78 3 1/4	55.1 2 11/16	10 3/8	12 1/2	5 1/8	20.5 1 1/4	25.5 1	62 2.4409	33.3 1 1/8	31 1.2205	12.7 0.500	M10 #8	
17 1 1/8	UCFC203D1 UCFC203-011D1	100 3 15/16	78 3 1/4	55.1 2 11/16	10 3/8	12 1/2	5 1/8	20.5 1 1/4	25.5 1	62 2.4409	33.3 1 1/8	31 1.2205	12.7 0.500	M10 #8	
20 3/4	UCFC204D1 UCFC204-012D1	100 3 15/16	78 3 1/4	55.1 2 11/16	10 3/8	12 1/2	5 1/8	20.5 1 1/4	25.5 1	62 2.4409	33.3 1 1/8	31 1.2205	12.7 0.500	M10 #8	
25 1 1/8 3/8 1 1/8 1	UCFC205D1 UCFC205-013D1 UCFC205-014D1 UCFC205-015D1 UCFC205-100D1	115 4 1/2	90 3 5/8	63.6 2 1/2	10 3/8	12 1/2	6 1/4	21 1 1/4	27 1 1/8	70 2.7559	35.8 1 1/2	34.1 1.3425	14.3 0.563	M10 #8	
30 1 1/8 1 1/8 1 3/8 1 1/4	UCFC206D1 UCFC206-101D1 UCFC206-102D1 UCFC206-103D1 UCFC206-104D1	125 4 1/2	100 3 15/16	70.7 2 3/4	10 3/8	12 1/2	8 3/4	23 1 1/4	31 1 1/8	80 3.1496	40.2 1 5/8	38.1 1.5000	15.9 0.629	M10 #8	
35 1 1/4 1 3/8 1 3/8 1 3/8 1 3/8	UCFC207D1 UCFC207-104D1 UCFC207-105D1 UCFC207-106D1 UCFC207-107D1	135 5 1/8	110 4 1/8	77.8 3 1/8	11 7/16	14 1 1/8	8 5/8	26 1 1/4	34 1 1/8	90 3.5433	44.4 1 3/4	42.9 1.6890	17.5 0.689	M12 7/16	
40 1 1/2 1 3/8	UCFC208D1 UCFC208-108D1 UCFC208-109D1	145 5 3/4	120 4 3/4	84.8 3 1/4	11 7/16	14 1 1/8	10 3/4	26 1 1/4	36 1 3/8	100 3.9370	51.2 2 1/4	49.2 1.9370	19 0.748	M12 7/16	
45 1 3/8 1 11/16 1 3/4	UCFC209D1 UCFC209-110D1 UCFC209-111D1 UCFC209-112D1	160 6 3/8	132 5 1/8	93.3 3 5/8	10 3/8	16 1 1/2	12 1/2	26 1 1/4	38 1 1/2	105 4.1339	52.2 2 1/8	49.2 1.9370	19 0.748	M14 1/2	

Remarks: 1) These numbers indicate relubricatable type. If maintenance free type is needed, please order without suffix "D1".

Note: Please refer to page 25 for size of grease fitting.

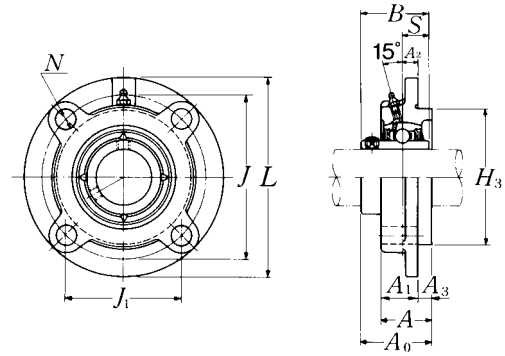


Pressed steel dust cover type
 Open end: **S-UCFC...D1**
 Closed end: **SM-UCFC...D1**

Cast dust cover type
 Open end: **C-UCFC...D1**
 Closed end: **CM-UCFC...D1**

Bearing number	Housing number	Unit number pressed steel dust cover type	Unit number cast dust cover type	Nominal dimensions			Mass of unit			
				mm <i>t</i> max.	inch <i>A</i> ₄	inch <i>A</i> ₅	kg			lb
							UCFC	S(SM)	C(CM)	
UC201D1	FC204D1	S(SM)-UCFC201D1	C(CM)-UCFC201D1	2	40.5	46	0.8	0.8	0.9	
UC201-008D1	FC204D1	S(SM)-UCFC201-008D1	S(SM)-UCFC201-008D1	2.8	1.1(32)	1.1(76)	1.8	1.8	2.0	
UC202D1	FC204D1	S(SM)-UCFC202D1	C(CM)-UCFC202D1	2	40.5	46	0.8	0.8	0.9	
UC202-009D1	FC204D1	S(SM)-UCFC202-009D1	C(CM)-UCFC202-009D1	2.8	1.1(32)	1.1(76)	1.8	1.8	2.0	
UC202-010D1	FC204D1	S(SM)-UCFC202-010D1	C(CM)-UCFC202-010D1	2.8	1.1(32)	1.1(76)	1.8	1.8	2.0	
UC203D1	FC204D1	S(SM)-UCFC203D1	C(CM)-UCFC203D1	2	40.5	46	0.7	0.8	0.9	
UC203-011D1	FC204D1	S(SM)-UCFC203-011D1	C(CM)-UCFC203-011D1	2.8	1.1(32)	1.1(76)	1.5	1.8	2.0	
UC204D1	FC204D1	S(SM)-UCFC204D1	C(CM)-UCFC204D1	2	40.5	46	0.7	0.8	0.9	
UC204-012D1	FC204D1	S(SM)-UCFC204-012D1	C(CM)-UCFC204-012D1	2.8	1.1(32)	1.1(76)	1.5	1.8	2.0	
UC205D1	FC205D1	S(SM)-UCFC205D1	C(CM)-UCFC205D1	2	44.5	51	1.0	1.0	1.3	
UC205-013D1	FC205D1	S(SM)-UCFC205-013D1	C(CM)-UCFC205-013D1	2.8	1.7(44)	2.0(51)	2.2	2.2	2.9	
UC205-014D1	FC205D1	S(SM)-UCFC205-014D1	C(CM)-UCFC205-014D1	2.8	1.7(44)	2.0(51)	2.2	2.2	2.9	
UC205-015D1	FC205D1	S(SM)-UCFC205-015D1	C(CM)-UCFC205-015D1	2.8	1.7(44)	2.0(51)	2.2	2.2	2.9	
UC205-100D1	FC205D1	S(SM)-UCFC205-100D1	C(CM)-UCFC205-100D1	2.8	1.7(44)	2.0(51)	2.2	2.2	2.9	
UC206D1	FC206D1	S(SM)-UCFC206D1	C(CM)-UCFC206D1	2	49	56	1.3	1.4	1.8	
UC206-101D1	FC206D1	S(SM)-UCFC206-101D1	C(CM)-UCFC206-101D1	2.8	1.9(49)	2.2(56)	2.9	3.1	4.0	
UC206-102D1	FC206D1	S(SM)-UCFC206-102D1	C(CM)-UCFC206-102D1	2.8	1.9(49)	2.2(56)	2.9	3.1	4.0	
UC206-103D1	FC206D1	S(SM)-UCFC206-103D1	C(CM)-UCFC206-103D1	2.8	1.9(49)	2.2(56)	2.9	3.1	4.0	
UC206-104D1	FC206D1	-	-	2.8	1.9(49)	2.2(56)	2.9	3.1	4.0	
UC207D1	FC207D1	S(SM)-UCFC207D1	C(CM)-UCFC207D1	3	55	59	1.6	1.7	2.2	
UC207-104D1	FC207D1	S(SM)-UCFC207-104D1	C(CM)-UCFC207-104D1	3.6	2.2(55)	2.3(59)	3.5	3.7	4.9	
UC207-105D1	FC207D1	S(SM)-UCFC207-105D1	C(CM)-UCFC207-105D1	3.6	2.2(55)	2.3(59)	3.5	3.7	4.9	
UC207-106D1	FC207D1	S(SM)-UCFC207-106D1	C(CM)-UCFC207-106D1	3.6	2.2(55)	2.3(59)	3.5	3.7	4.9	
UC207-107D1	FC207D1	-	-	3.6	2.2(55)	2.3(59)	3.5	3.7	4.9	
UC208D1	FC208D1	S(SM)-UCFC208D1	C(CM)-UCFC208D1	3	62	66	2.1	2.1	2.8	
UC208-108D1	FC208D1	S(SM)-UCFC208-108D1	C(CM)-UCFC208-108D1	3.6	2.4(62)	2.6(66)	4.6	4.6	6.2	
UC208-109D1	FC208D1	S(SM)-UCFC208-109D1	C(CM)-UCFC208-109D1	3.6	2.4(62)	2.6(66)	4.6	4.6	6.2	
UC209D1	FC209D1	S(SM)-UCFC209D1	C(CM)-UCFC209D1	3	63	70	2.7	2.8	3.8	
UC209-110D1	FC209D1	S(SM)-UCFC209-110D1	C(CM)-UCFC209-110D1	3.6	2.5(63)	2.8(70)	6.0	6.2	8.4	
UC209-111D1	FC209D1	S(SM)-UCFC209-111D1	C(CM)-UCFC209-111D1	3.6	2.5(63)	2.8(70)	6.0	6.2	8.4	
UC209-112D1	FC209D1	S(SM)-UCFC209-112D1	C(CM)-UCFC209-112D1	3.6	2.5(63)	2.8(70)	6.0	6.2	8.4	

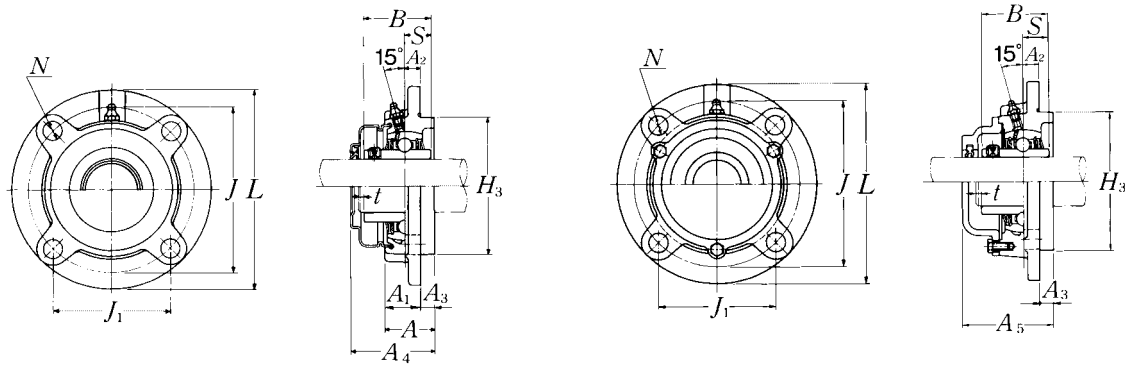
Flanged cartridge units cast housing Set screw type



Shaft dia.	Unit number ¹⁾	Nominal dimensions												Bolt size
		mm						inch						
mm inch		L	J	J _i	A ₂	N	A ₃	A ₁	A	H ₃	A ₀	B	S	mm inch
50	UCFC210D1	165	138	97.6	10	16	12	28	40	110	54.6	51.6	19	M14
1!#716	UCFC210-113D1													
1&8	UCFC210-114D1	6!2	5&716	3&@732	@%64	%8	!%32	1#732	1#&64	4.3307	2%32	2.0315	0.748	!2
1!%716	UCFC210-115D1													
2	UCFC210-200D1													
55	UCFC211D1	185	150	106.1	13	19	12	31	43	125	58.4	55.6	22.2	M16
2	UCFC211-200D1													
2!716	UCFC211-201D1	7(732	5@(732	4!1!64	##64	#4	!%32	1&32	1!176	4.9213	2!(64	2.1890	0.874	%8
2!8	UCFC211-202D1													
2#716	UCFC211-203D1													
60	UCFC212D1	195	160	113.1	17	19	12	36	48	135	68.7	65.1	25.4	M16
2!74	UCFC212-204D1													
2%716	UCFC212-205D1	7!1716	6!(764	4@(764	\$#64	#4	!%32	1!#732	1%&64	5.3150	2\$%64	2.5630	1.000	%8
2#8	UCFC212-206D1													
2&716	UCFC212-207D1													
65	UCFC213D1	205	170	120.2	16	19	14	36	50	145	69.7	65.1	25.4	M16
2!72	UCFC213-208D1													
2(716	UCFC213-209D1	8!716	6!716	4\$&64	%8	#4	##64	1!#732	1#!32	5.7087	2#4	2.5630	1.000	%8
70	UCFC214D1	215	177	125.1	17	19	14	40	54	150	75.4	74.6	30.2	M16
2%8	UCFC214-210D1													
2!716	UCFC214-211D1	8!%32	6#!732	4%(764	\$#64	#4	##64	1#&64	2!8	5.9055	2#!32	2.9370	1.189	%8
2#74	UCFC214-212D1													
75	UCFC215D1	220	184	130.1	18	19	16	40	56	160	78.5	77.8	33.3	M16
2!#716	UCFC215-213D1													
2&8	UCFC215-214D1	8@!732	7!74	5!8	\$%64	#4	%8	1#&64	2!#64	6.2992	3#32	3.0630	1.311	%8
2!%716	UCFC215-215D1													
3	UCFC215-300D1													
80	UCFC216D1	240	200	141.4	18	23	16	42	58	170	83.3	82.6	33.3	M20
3!716	UCFC216-301D1													
3!8	UCFC216-302D1	9&716	7&8	5(716	\$%64	@732	%8	1@!32	2(32	6.6929	2(32	3.2520	1.311	#4
3#716	UCFC216-303D1													

Remarks: 1) These numbers indicate relubricatable type. If maintenance free type is needed, please order without suffix "D1".

Note: Please refer to page 25 for size of grease fitting.



Pressed steel dust cover type

Open end: **S-UCFC...D1**

Closed end: **SM-UCFC...D1**

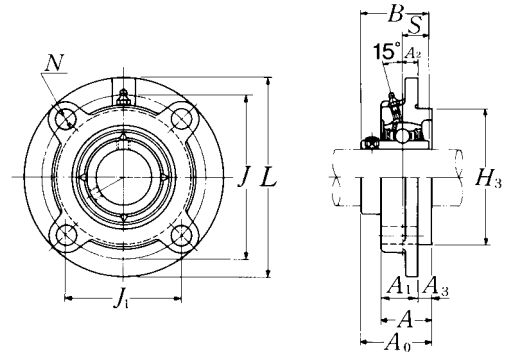
Cast dust cover type

Open end: **C-UCFC...D1**

Closed end: **CM-UCFC...D1**

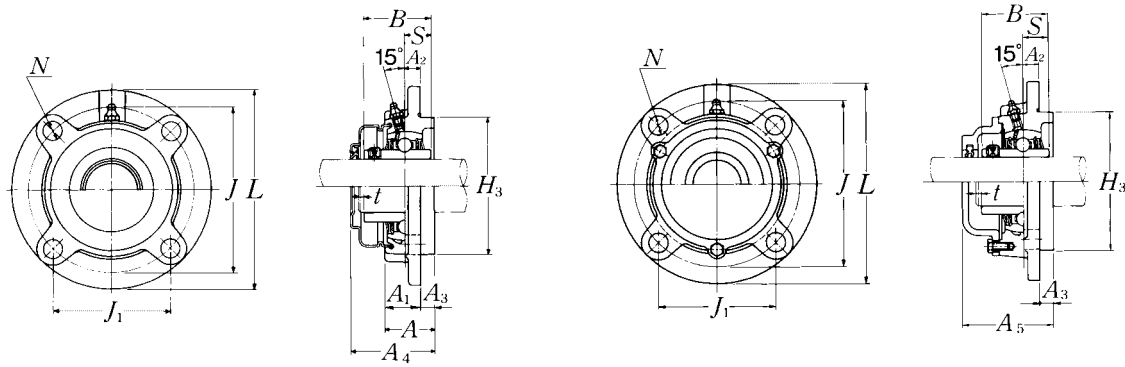
Bearing number	Housing number	Unit number pressed steel dust cover type	Unit number cast dust cover type	Nominal dimensions			Mass of unit		
				mm		inch	kg		lb
				t max.	A ₄	A ₅	UCFC	S(SM)	C(CM)
UC210D1	FC210D1	S(SM)-UCFC210D1	C(CM)-UCFC210D1	3	65.5	72	3.1	3.2	4.2
UC210-113D1	FC210D1	S(SM)-UCFC210-113D1	C(CM)-UCFC210-113D1	1/8	2#&64	2#&64	6.8	7.1	9.3
UC210-114D1	FC210D1	S(SM)-UCFC210-114D1	C(CM)-UCFC210-114D1						
UC210-115D1	FC210D1	S(SM)-UCFC210-115D1	C(CM)-UCFC210-115D1						
UC210-200D1	FC210D1	-	-						
UC211D1	FC211D1	S(SM)-UCFC211D1	C(CM)-UCFC211D1	4	71	75	4.2	4.4	5.5
UC211-200D1	FC211D1	S(SM)-UCFC211-200D1	C(CM)-UCFC211-200D1	3/32	2#1/64	2#1/64	9.3	9.7	12
UC211-201D1	FC211D1	S(SM)-UCFC211-201D1	C(CM)-UCFC211-201D1						
UC211-202D1	FC211D1	S(SM)-UCFC211-202D1	C(CM)-UCFC211-202D1						
UC211-203D1	FC211D1	S(SM)-UCFC211-203D1	C(CM)-UCFC211-203D1						
UC212D1	FC212D1	S(SM)-UCFC212D1	C(CM)-UCFC212D1	4	80	86	5.3	5.5	6.5
UC212-204D1	FC212D1	S(SM)-UCFC212-204D1	C(CM)-UCFC212-204D1	3/32	3#3/32	3#1/64	12	12	14
UC212-205D1	FC212D1	S(SM)-UCFC212-205D1	C(CM)-UCFC212-205D1						
UC212-206D1	FC212D1	S(SM)-UCFC212-206D1	C(CM)-UCFC212-206D1						
UC212-207D1	FC212D1	-	-						
UC213D1	FC213D1	S(SM)-UCFC213D1	C(CM)-UCFC213D1	4	83.5	90	6.0	6.2	7.5
UC213-208D1	FC213D1	S(SM)-UCFC213-208D1	C(CM)-UCFC213-208D1	3/32	3(3/2)	3#1/64	13	14	17
UC213-209D1	FC213D1	S(SM)-UCFC213-209D1	C(CM)-UCFC213-209D1						
UC214D1	FC214D1	-	C(CM)-UCFC214D1	4	-	98	7.0	-	8.7
UC214-210D1	FC214D1	-	C(CM)-UCFC214-210D1	3/32	-	3#1/64	15	-	19
UC214-211D1	FC214D1	-	C(CM)-UCFC214-211D1						
UC214-212D1	FC214D1	-	C(CM)-UCFC214-212D1						
UC215D1	FC215D1	-	C(CM)-UCFC215D1	4	-	102	7.8	-	9.5
UC215-213D1	FC215D1	-	C(CM)-UCFC215-213D1	3/32	-	4#1/64	17	-	21
UC215-214D1	FC215D1	-	C(CM)-UCFC215-214D1						
UC215-215D1	FC215D1	-	C(CM)-UCFC215-215D1						
UC215-300D1	FC215D1	-	C(CM)-UCFC215-300D1						
UC216D1	FC216D1	-	C(CM)-UCFC216D1	4	-	106	9.3	-	12
UC216-301D1	FC216D1	-	C(CM)-UCFC216-301D1	3/32	-	4#1/64	21	-	26
UC216-302D1	FC216D1	-	C(CM)-UCFC216-302D1						
UC216-303D1	FC216D1	-	C(CM)-UCFC216-303D1						

Flanged cartridge units cast housing Set screw type



Shaft dia. mm inch	Unit number ¹⁾	Nominal dimensions													Bolt size mm inch
		mm						inch							
		<i>L</i>	<i>J</i>	<i>J</i> ₁	<i>A</i> ₂	<i>N</i>	<i>A</i> ₃	<i>A</i> ₁	<i>A</i>	<i>H</i> ₃	<i>A</i> ₀	<i>B</i>	<i>S</i>		
85 3 1/4	UCFC217D1 UCFC217-304D1	250	208	147.1	18	23	18	45	63	180	87.6	85.7	34.1	M20	
3 3/16 3 7/16	UCFC217-305D1 UCFC217-307D1	9 5/32	8 1/16	5 11/64	3/64	1 1/32	3/64	1 1/32	2 1/64	7.0866	3 1/64	3.3740	1.343	#4	
90 3 1/2	UCFC218D1 UCFC218-308D1	265	220	155.5	22	23	18	50	68	190	96.3	96	39.7	M20	
		10 5/16	8 1/32	6 1/8	3/64	1 1/32	3/64	1 1/32	2 5/64	7.4803	3 1/64	3.7795	1.563	#4a	

Remarks: 1) These numbers indicate relubricatable type. If maintenance free type is needed, please order without suffix "D1".
Note: Please refer to page 25 for size of grease fitting.



Pressed steel dust cover type

Open end: **S-UCFC...D1**

Closed end: **SM-UCFC...D1**

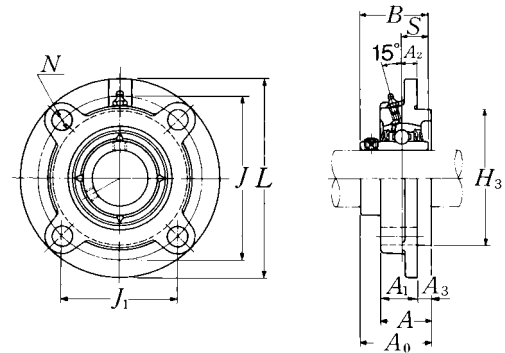
Cast dust cover type

Open end: **C-UCFC...D1**

Closed end: **CM-UCFC...D1**

Bearing number	Housing number	Unit number pressed steel dust cover type	Unit number cast dust cover type	Nominal dimensions			Mass of unit		
				mm		inch	kg		lb
				t	A ₄	A ₅	UCFC	S(SM)	C(CM)
UC217D1	FC217D1	-	C(CM)-UCFC217D1	5	-	114	11	-	13
UC217-304D1	FC217D1	-	C(CM)-UCFC217-304D1						
UC217-305D1	FC217D1	-	C(CM)-UCFC217-305D1	!#%4	-	4#!%4	24	-	29
UC217-307D1	FC217D1	-	C(CM)-UCFC217-307D1						
UC218D1	FC218D1	-	C(CM)-UCFC218D1	5	-	122	13	-	16
UC218-308D1	FC218D1	-	C(CM)-UCFC218-308D1	!#%4	-	4#!%4	29	-	35

Flanged cartridge units cast housing Set screw type



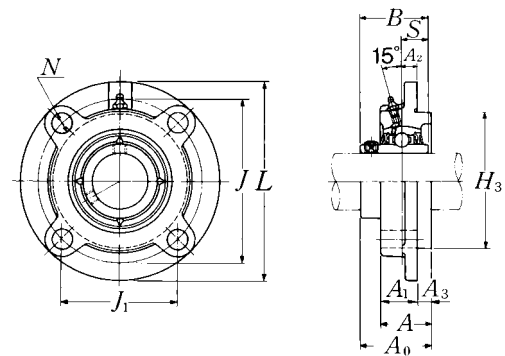
Shaft dia. mm inch	Unit number ¹⁾	Nominal dimensions													Bolt size mm inch
		L	J	J ₁	A ₂	N	A ₃	A ₁	A	H ₃	A ₀	B	S		
25 1#7/16 & 1#7/16 1	UCFCX05D1	111	92	65	10	9.5	6	24	30	76	38.2	38.1	15.9	M 8	
	UCFCX05-013D1														
	UCFCX05-014D1	4#8	3#8	2(7/16)	ø#64	#8	1/4	1#7/16	1#7/16	2.9921	1 1/2	1.5000	0.626	#7/16	
	UCFCX05-015D1														
30 1#7/16 1#8 1#7/16 1#7/16	UCFCX06D1	127	105	74.2	8	12	9.5	22.5	32	85	42.9	42.9	17.5	M10	
	UCFCX06-101D1														
	UCFCX06-102D1	5	4(5/16)	2(5/16)	7/16	1#3/32	#8	8/8	1ø#64	3.3465	1 1/16	1.6890	0.689	#8	
	UCFCX06-103D1														
35 1#7/16 1#8 1#7/16	UCFCX07D1	133	111	78.5	9	12	11	26	37	92	50.2	49.2	19	M10	
	UCFCX07-105D1														
	UCFCX07-106D1	5 1/4	4#8	3#3/32	ø#64	1#3/32	8/16	1#3/32	1ø(64)	3.6220	1#1/32	1.9370	0.748	#8	
	UCFCX07-107D1														
40 1 1/2 1(7/16)	UCFCX08D1	133	111	78.5	9	12	11	26	37	92	50.2	49.2	19	M10	
	UCFCX08-108D1														
	UCFCX08-109D1	5 1/4	4#8	3#3/32	ø#64	1#3/32	8/16	1#3/32	1ø(64)	3.6220	1#1/32	1.9370	0.748	#8	
45 1#8 1 1/16 1#7/16 1#7/16	UCFCX09D1	155	130	91.9	8	14	12	25	37	108	52.6	51.6	19	M12	
	UCFCX09-110D1														
	UCFCX09-111D1	6#3/32	5#8	3#8	7/16	ø#64	1#3/32	1#3/32	1ø(64)	4.2520	2#64	2.0315	0.748	8/16	
	UCFCX09-112D1														
50 1#8 1 1/16 2	UCFCX10D1	162	136	96.2	7	14	16	25	41	118	56.4	55.6	22.2	M12	
	UCFCX10-114D1														
	UCFCX10-115D1	6#8	5ø#64	3ø#3/32	(3/32)	ø#64	#8	1#3/32	1#(64)	4.6457	2#3/32	2.1890	0.874	8/16	
	UCFCX10-200D1														

Remarks: 1) These numbers indicate relubricatable type. If maintenance free type is needed, please order without suffix "D1".

Note: Please refer to page 25 for size of grease fitting.

Bearing number	Housing number	Mass of unit	
		kg	lb
UCX05D1	FCX05D1	1.1	
UCX05-013D1	FCX05D1		
UCX05-014D1	FCX05D1	2.4	
UCX05-015D1	FCX05D1		
UCX05-100D1	FCX05D1		
UCX06D1	FCX06D1	1.6	
UCX06-101D1	FCX06D1		
UCX06-102D1	FCX06D1	3.5	
UCX06-103D1	FCX06D1		
UC207-104D1	FCX06D1		
UCX07D1	FCX07D1	2.0	
UCX07-105D1	FCX07D1		
UCX07-106D1	FCX07D1	4.4	
UCX07-107D1	FCX07D1		
UCX08D1	FCX08D1	1.9	
UCX08-108D1	FCX08D1	4.2	
UCX08-109D1	FCX08D1		
UCX09D1	FCX09D1	2.7	
UCX09-110D1	FCX09D1		
UCX09-111D1	FCX09D1	6.0	
UCX09-112D1	FCX09D1		
UC210-113D1	FCX09D1		
UCX10D1	FCX10D1	3.2	
UCX10-114D1	FCX10D1		
UCX10-115D1	FCX10D1	7.1	
UC211-200D1	FCX10D1		

Flanged cartridge units cast housing Set screw type



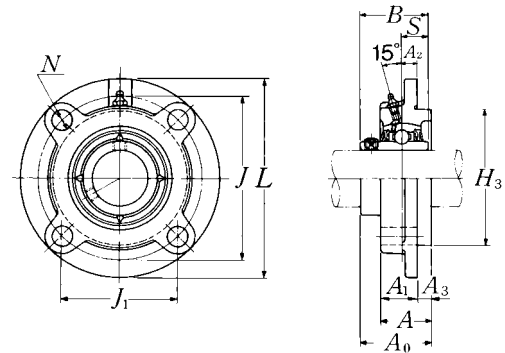
Shaft dia. mm inch	Unit number ¹⁾	Nominal dimensions												Bolt size mm inch
		L	J	J ₁	A ₂	N	A ₃	A ₁	A	H ₃	A ₀	B	S	
55 2 1/16 2 1/8 2 7/16 2 1/4 2 5/16	UCFCX11D1 UCFCX11-201D1 UCFCX11-202D1 UCFCX11-203D1 UCFCX11-204D1 UCFCX11-205D1	180	152	107.5	4	16	22	26	48	127	65.7	65.1	25.4	M14 1/2
60 2 3/8 2 7/16	UCFCX12D1 UCFCX12-206D1 UCFCX12-207D1	194	165	116.7	11	16	20	33	53	140	70.7	65.1	25.4	M14 1/2
65 2 1/2 2 7/16	UCFCX13D1 UCFCX13-208D1 UCFCX13-209D1	194	165	116.7	11	16	20	33	53	140	75.4	74.6	30.2	M14 1/2
70 2 3/8 2 1/16 2 7/4	UCFCX14D1 UCFCX14-210D1 UCFCX14-211D1 UCFCX14-212D1	222	190	134.3	14	19	20	36	56	164	78.5	77.8	33.3	M16 3/8
75 2 1/16 2 3/8 2 1/16 3	UCFCX15D1 UCFCX15-213D1 UCFCX15-214D1 UCFCX15-215D1 UCFCX15-300D1	222	190	134.3	12	19	22	35	57	164	83.3	82.6	33.3	M16 3/8
80 3 1/16 3 1/8 3 7/16 3 1/4	UCFCX16D1 UCFCX16-301D1 UCFCX16-302D1 UCFCX16-303D1 UCFCX16-304D1	260	219	154.8	10	23	25	36	61	186	86.6	85.7	34.1	M20 #4
85 3 7/16 3 8/16	UCFCX17D1 UCFCX17-305D1 UCFCX17-307D1	260	219	154.8	10	23	25	36	61	186	91.3	96	39.7	M20 #4

Remarks: 1) These numbers indicate relubricatable type. If maintenance free type is needed, please order without suffix "D1".

Note: Please refer to page 25 for size of grease fitting.

Bearing number	Housing number	Mass of unit	
		kg	lb
UCX11D1	FCX11D1	4.4	
UCX11-201D1	FCX11D1		
UCX11-202D1	FCX11D1		
UCX11-203D1	FCX11D1	9.7	
UC212-204D1	FCX11D1		
UC212-205D1	FCX11D1		
UCX12D1	FCX12D1	5.7	
UCX12-206D1	FCX12D1	13	
UCX12-207D1	FCX12D1		
UCX13D1	FCX13D1	5.7	
UCX13-208D1	FCX13D1	13	
UCX13-209D1	FCX13D1		
UCX14D1	FCX14D1	7.3	
UCX14-210D1	FCX14D1		
UCX14-211D1	FCX14D1	16	
UCX14-212D1	FCX14D1		
UCX15D1	FCX15D1	7.7	
UCX15-213D1	FCX15D1		
UCX15-214D1	FCX15D1	17	
UCX15-215D1	FCX15D1		
UCX15-300D1	FCX15D1		
UCX16D1	FCX16D1	11	
UCX16-301D1	FCX16D1		
UCX16-302D1	FCX16D1	24	
UCX16-303D1	FCX16D1		
UC217-304D1	FCX16D1		
UCX17D1	FCX17D1	12	
UCX17-305D1	FCX17D1	26	
UCX17-307D1	FCX17D1		

Flanged cartridge units cast housing Set screw type

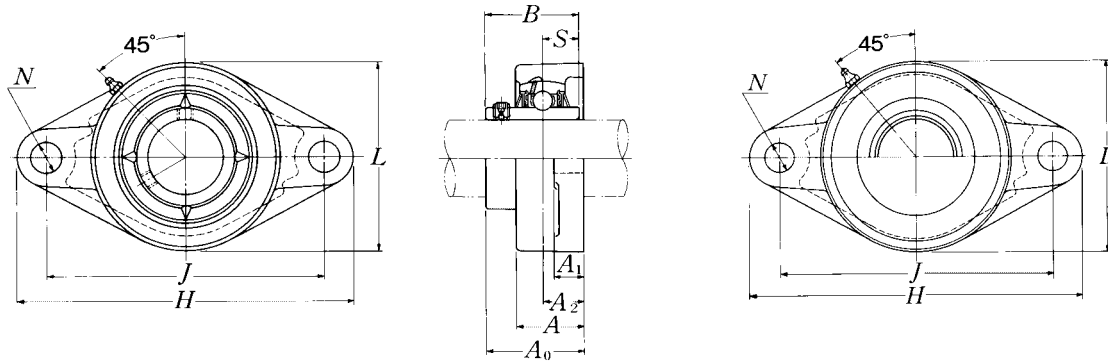


Shaft dia.	Unit number ¹⁾	Nominal dimensions													Bolt size
		mm						inch							
mm inch		L	J	J ₁	A ₂	N	A ₃	A ₁	A	H ₃	A ₀	B	S	mm inch	
90	UCFCX18D1	260	219	154.8	12	23	28	43	71	186	101.1	104	42.9	M20	
3 1/16	UCFCX18-307D1	10 1/4	8 5/8	6 1/32	1/2	1 1/8	1 1/8	1 7/16	2 7/8	7.3228	3 7/64	4.0945	1.689	#4	
3/2	UCFCX18-308D1														
100	UCFCX20D1	276	238	168.3	22	23	28	66	94	206	118.3	117.5	49.2	M20	
3 1/8	UCFCX20-313D1														
3 1/16	UCFCX20-314D1	10 7/8	9 3/8	6 5/8	3/4	1 1/8	1 1/8	2 1/8	3 5/8	8.1102	4 1/32	4.6260	1.937	#4	
3/4	UCFCX20-315D1														
4	UCFCX20-400D1														

Remarks: 1) These numbers indicate relubricatable type. If maintenance free type is needed, please order without suffix "D1".
Note: Please refer to page 25 for size of grease fitting.

Bearing number	Housing number	Mass of unit	
		kg	lb
UCX18D1	FCX18D1	12	
UCX18-307D1	FCX18D1	26	
UCX18-308D1	FCX18D1		
UCX20D1	FCX20D1	16	
UCX20-313D1	FCX20D1		
UCX20-314D1	FCX20D1	35	
UCX20-315D1	FCX20D1		
UCX20-400D1	FCX20D1		

Flanged cartridge units cast housing Set screw type



Pressed steel dust cover type

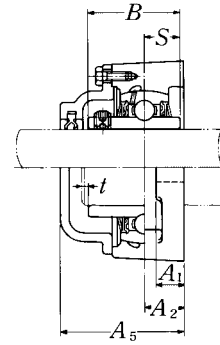
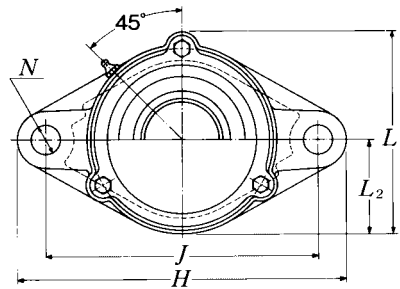
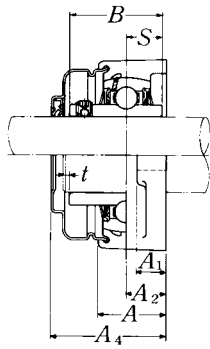
Open end: **S-UCFL...D1**

Closed end: **SM-UCFL...D1**

Shaft dia. mm inch	Unit number ¹⁾	Nominal dimensions										Bolt size mm inch	Bearing number
		H	J	A ₂	A ₁	A	N	L	A ₀	B	S		
12	UCFL201D1	113	90	15	11	25.5	12	60	33.3	31	12.7	M10	UC201D1
1/2	UCFL201-008D1	4 5/16	3 5/16	1 1/2	7/16	1	1 1/2	2 3/8	1 1/4	1.2205	0.500	#8	UC201-008D1
15	UCFL202D1	113	90	15	11	25.5	12	60	33.3	31	12.7	M10	UC202D1
1/16	UCFL202-009D1	4 5/16	3 5/16	1 1/2	7/16	1	1 1/2	2 3/8	1 1/4	1.2205	0.500	#8	UC202-009D1
3/8	UCFL202-010D1	4 5/16	3 5/16	1 1/2	7/16	1	1 1/2	2 3/8	1 1/4	1.2205	0.500	#8	UC202-010D1
17	UCFL203D1	113	90	15	11	25.5	12	60	33.3	31	12.7	M10	UC203D1
1 1/16	UCFL203-011D1	4 5/16	3 5/16	1 1/2	7/16	1	1 1/2	2 3/8	1 1/4	1.2205	0.500	#8	UC203-011D1
20	UCFL204D1	113	90	15	11	25.5	12	60	33.3	31	12.7	M10	UC204D1
3/4	UCFL204-012D1	4 5/16	3 5/16	1 1/2	7/16	1	1 1/2	2 3/8	1 1/4	1.2205	0.500	#8	UC204-012D1
25	UCFL205D1	130	99	16	13	27	16	68	35.8	34.1	14.3	M14	UC205D1
1 7/16	UCFL205-013D1	5 1/8	3 7/8	5/8	1 1/2	1 1/16	5/8	2 11/16	1 11/32	1.3425	0.563	1/2	UC205-013D1
1 3/8	UCFL205-014D1	5 1/8	3 7/8	5/8	1 1/2	1 1/16	5/8	2 11/16	1 11/32	1.3425	0.563	1/2	UC205-014D1
1 1/2	UCFL205-015D1	5 1/8	3 7/8	5/8	1 1/2	1 1/16	5/8	2 11/16	1 11/32	1.3425	0.563	1/2	UC205-015D1
1	UCFL205-100D1	5 1/8	3 7/8	5/8	1 1/2	1 1/16	5/8	2 11/16	1 11/32	1.3425	0.563	1/2	UC205-100D1
30	UCFL206D1	148	117	18	13	31	16	80	40.2	38.1	15.9	M14	UC206D1
1 1/16	UCFL206-101D1	5 7/8	4 5/8	3/4	1 1/2	1 1/8	1 1/2	3 1/4	1 5/8	1.5000	0.626	1/2	UC206-101D1
1 1/8	UCFL206-102D1	5 7/8	4 5/8	3/4	1 1/2	1 1/8	1 1/2	3 1/4	1 5/8	1.5000	0.626	1/2	UC206-102D1
1 7/16	UCFL206-103D1	5 7/8	4 5/8	3/4	1 1/2	1 1/8	1 1/2	3 1/4	1 5/8	1.5000	0.626	1/2	UC206-103D1
1 1/4	UCFL206-104D1	5 7/8	4 5/8	3/4	1 1/2	1 1/8	1 1/2	3 1/4	1 5/8	1.5000	0.626	1/2	UC206-104D1
35	UCFL207D1	161	130	19	15	34	16	90	44.4	42.9	17.5	M14	UC207D1
1 1/4	UCFL207-104D1	6 1/8	5 1/8	3/4	1 1/2	1 1/4	1 1/2	3 1/2	1 7/8	1.6890	0.689	1/2	UC207-104D1
1 1/2	UCFL207-105D1	6 1/8	5 1/8	3/4	1 1/2	1 1/4	1 1/2	3 1/2	1 7/8	1.6890	0.689	1/2	UC207-105D1
1 3/8	UCFL207-106D1	6 1/8	5 1/8	3/4	1 1/2	1 1/4	1 1/2	3 1/2	1 7/8	1.6890	0.689	1/2	UC207-106D1
1 1/2	UCFL207-107D1	6 1/8	5 1/8	3/4	1 1/2	1 1/4	1 1/2	3 1/2	1 7/8	1.6890	0.689	1/2	UC207-107D1
40	UCFL208D1	175	144	21	15	36	16	100	51.2	49.2	19	M14	UC208D1
1 1/2	UCFL208-108D1	6 7/8	5 5/8	3/4	1 1/2	1 1/4	1 1/2	3 1/2	2 1/4	1.9370	0.748	1/2	UC208-108D1
1 1/16	UCFL208-109D1	6 7/8	5 5/8	3/4	1 1/2	1 1/4	1 1/2	3 1/2	2 1/4	1.9370	0.748	1/2	UC208-109D1
45	UCFL209D1	188	148	22	16	38	19	108	52.2	49.2	19	M16	UC209D1
1 3/8	UCFL209-110D1	7 1/2	5 7/8	3/4	1 1/2	1 1/2	3/4	4 1/4	2 1/16	1.9370	0.748	3/8	UC209-110D1
1 1 1/16	UCFL209-111D1	7 1/2	5 7/8	3/4	1 1/2	1 1/2	3/4	4 1/4	2 1/16	1.9370	0.748	3/8	UC209-111D1
1 3/4	UCFL209-112D1	7 1/2	5 7/8	3/4	1 1/2	1 1/2	3/4	4 1/4	2 1/16	1.9370	0.748	3/8	UC209-112D1

Remarks: 1) These numbers indicate relubricatable type. If maintenance free type is needed, please order without suffix "D1".

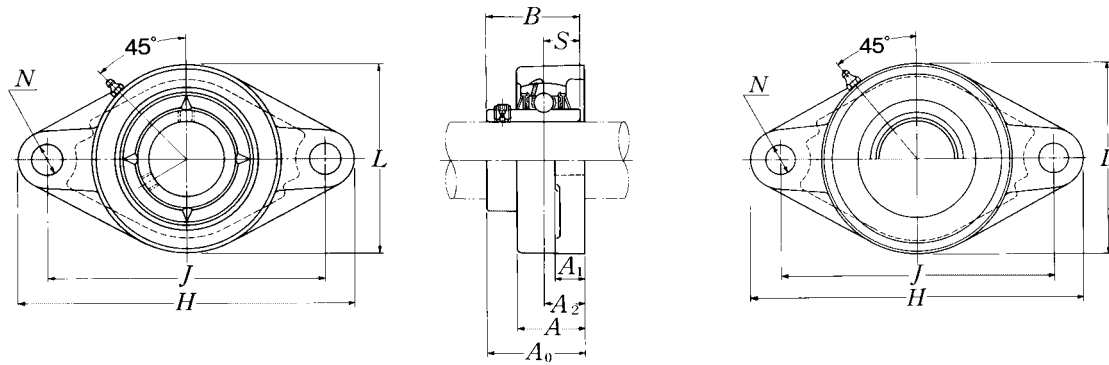
Note: Please refer to page 25 for size of grease fitting.



Cast dust cover type
 Open end: **C-UCFL...D1**
 Closed end: **CM-UCFL...D1**

Housing number	Unit number pressed steel dust cover type	Unit number cast dust cover type	Nominal dimensions					Mass of unit		
			t max.	mm		inch		UCFL	S(SM)	C(CM)
				A4	A5	L1	L2			
FL204D1	S(SM)-UCFL201D1	C(CM)-UCFL201D1	2	40.5	46	67	30	0.6	0.6	0.8
FL204D1	S(SM)-UCFL201-008D1	C(CM)-UCFL201-008D1	3/64	1!(732	1!#716	2%38	1#716	1.3	1.3	0.8
FL204D1	S(SM)-UCFL202D1	C(CM)-UCFL202D1	2	40.5	46	67	30	0.6	0.6	0.8
FL204D1	S(SM)-UCFL202-009D1	C(CM)-UCFL202-009D1	3/64	1!(732	1!#716	2%38	1#716	1.3	1.3	1.8
FL204D1	S(SM)-UCFL202-010D1	C(CM)-UCFL202-009D1	3/64	1!(732	1!#716	2%38	1#716	1.3	1.3	1.8
FL204D1	S(SM)-UCFL203D1	C(CM)-UCFL203D1	2	40.5	46	67	30	0.5	0.6	0.8
FL204D1	S(SM)-UCFL203-011D1	C(CM)-UCFL203-011D1	3/64	1!(732	1!#732	2%38	1#716	1.1	1.3	1.8
FL204D1	S(SM)-UCFL204D1	C(CM)-UCFL204D1	2	40.5	46	67	30	0.5	0.6	0.8
FL204D1	S(SM)-UCFL204-012D1	C(CM)-UCFL204-012D1	3/64	1!(732	1!#716	2%38	1#716	1.1	1.3	1.8
FL205D1	S(SM)-UCFL205D1	C(CM)-UCFL205D1	2	44.5	51	74	34	0.6	0.7	0.9
FL205D1	S(SM)-UCFL205-013D1	C(CM)-UCFL205-013D1	3/64	1#74	2	2@732	1!732	1.3	1.5	2.0
FL205D1	S(SM)-UCFL205-014D1	C(CM)-UCFL205-014D1	3/64	1#74	2	2@732	1!732	1.3	1.5	2.0
FL205D1	S(SM)-UCFL205-015D1	C(CM)-UCFL205-015D1	3/64	1#74	2	2@732	1!732	1.3	1.5	2.0
FL205D1	S(SM)-UCFL205-100D1	C(CM)-UCFL205-100D1	3/64	1#74	2	2@732	1!732	1.3	1.5	2.0
FL206D1	S(SM)-UCFL206D1	C(CM)-UCFL206D1	2	49	56	85	40	0.9	1.0	1.2
FL206D1	S(SM)-UCFL206-101D1	C(CM)-UCFL206-101D1	3/64	1!716	2&732	3!732	1716	2.0	2.2	2.6
FL206D1	S(SM)-UCFL206-102D1	C(CM)-UCFL206-102D1	3/64	1!716	2&732	3!732	1716	2.0	2.2	2.6
FL206D1	S(SM)-UCFL206-103D1	C(CM)-UCFL206-103D1	3/64	1!716	2&732	3!732	1716	2.0	2.2	2.6
FL206D1	-	-	-	-	-	-	-	-	-	-
FL207D1	S(SM)-UCFL207D1	C(CM)-UCFL207D1	3	55	59	97	45	1.2	1.2	1.8
FL207D1	S(SM)-UCFL207-104D1	C(CM)-UCFL207-104D1	1/8	2%732	2%716	3!716	1@732	2.6	2.6	4.0
FL207D1	S(SM)-UCFL207-105D1	C(CM)-UCFL207-105D1	1/8	2%732	2%716	3!716	1@732	2.6	2.6	4.0
FL207D1	S(SM)-UCFL207-106D1	C(CM)-UCFL207-106D1	1/8	2%732	2%716	3!716	1@732	2.6	2.6	4.0
FL207D1	-	-	-	-	-	-	-	-	-	-
FL208D1	S(SM)-UCFL208D1	C(CM)-UCFL208D1	3	62	66	106	50	1.6	1.6	2.2
FL208D1	S(SM)-UCFL208-108D1	C(CM)-UCFL208-108D1	1/8	2&716	2!732	4#716	1#732	3.5	3.5	4.9
FL208D1	S(SM)-UCFL208-109D1	C(CM)-UCFL208-109D1	1/8	2&716	2!732	4#716	1#732	3.5	3.5	4.9
FL209D1	S(SM)-UCFL209D1	C(CM)-UCFL209D1	3	63	70	113	54	1.9	2.0	2.5
FL209D1	S(SM)-UCFL209-110D1	C(CM)-UCFL209-110D1	1/8	2!732	2#74	4&716	2!8	4.2	4.4	5.5
FL209D1	S(SM)-UCFL209-111D1	C(CM)-UCFL209-111D1	1/8	2!732	2#74	4&716	2!8	4.2	4.4	5.5
FL209D1	S(SM)-UCFL209-112D1	C(CM)-UCFL209-112D1	1/8	2!732	2#74	4&716	2!8	4.2	4.4	5.5

Flanged cartridge units cast housing Set screw type



Pressed steel dust cover type

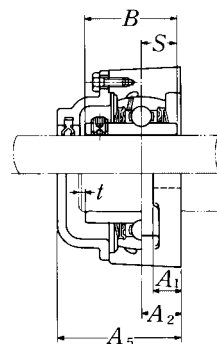
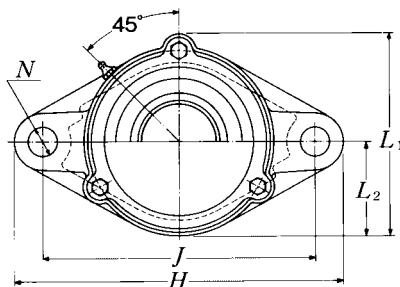
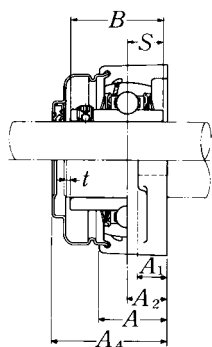
Open end: **S-UCFL...D1**

Closed end: **SM-UCFL...D1**

Shaft dia.	Unit number ¹⁾	Nominal dimensions										Bolt size	Bearing number
		mm					inch						
		H	J	A ₂	A ₁	A	N	L	A ₀	B	S		
50	UCFL210D1	197	157	22	16	40	19	115	54.6	51.6	19	M16	UC210D1
1 ¹ / ₈	UCFL210-113D1												UC210-113D1
1 ¹ / ₈	UCFL210-114D1	7 ⁷ / ₄	6 ⁷ / ₁₆	3 ³ / ₁₆	3 ³ / ₈	1 ¹ / ₁₆	3 ³ / ₄	4 ¹ / ₃₂	2 ² / ₃₂	2.0315	0.748	3 ³ / ₈	UC210-114D1
1 ¹ / ₈	UCFL210-115D1												UC210-115D1
2	UCFL210-200D1												UC210-200D1
55	UCFL211D1	224	184	25	18	43	19	130	58.4	55.6	22.2	M16	UC211D1
2	UCFL211-200D1												UC211-200D1
2 ² / ₁₆	UCFL211-201D1	8 ⁸ / ₁₆	7 ⁷ / ₄	1 ¹ / ₁₆	3 ³ / ₃₂	1 ¹ / ₁₆	3 ³ / ₄	5 ⁵ / ₈	2 ² / ₁₆	2.1890	0.874	3 ³ / ₈	UC211-201D1
2 ¹/₈	UCFL211-202D1												UC211-202D1
2 ² / ₁₆	UCFL211-203D1												UC211-203D1
60	UCFL212D1	250	202	29	18	48	23	140	68.7	65.1	25.4	M20	UC212D1
2 ¹ / ₄	UCFL212-204D1												UC212-204D1
2 ² / ₁₆	UCFL212-205D1	9 ⁹ / ₃₂	7 ⁷ / ₁₆	1 ¹ / ₁₆	3 ³ / ₃₂	1 ¹ / ₈	3 ³ / ₃₂	5 ⁵ / ₁₂	2 ² / ₁₆	2.5630	1.000	3 ³ / ₄	UC212-205D1
2 ³/₈	UCFL212-206D1												UC212-206D1
2 ² / ₁₆	UCFL212-207D1												UC212-207D1
65	UCFL213D1	258	210	30	22	50	23	155	69.7	65.1	25.4	M20	UC213D1
2 ¹ / ₂	UCFL213-208D1												UC213-208D1
2 ¹ / ₁₆	UCFL213-209D1	10 ¹⁰ / ₃₂	8 ⁸ / ₁₆	1 ¹ / ₁₆	3 ³ / ₈	1 ¹ / ₃₂	3 ³ / ₃₂	6 ⁶ / ₃₂	2 ² / ₄	2.5630	1.000	3 ³ / ₄	UC213-209D1
70	UCFL214D1	265	216	31	22	54	23	160	75.4	74.6	30.2	M20	UC214D1
2 ³ / ₈	UCFL214-210D1												UC214-210D1
2 ¹ / ₁₆	UCFL214-211D1	10 ¹⁰ / ₁₆	8 ⁸ / ₁₂	1 ¹ / ₃₂	3 ³ / ₈	2 ² / ₈	3 ³ / ₃₂	6 ⁶ / ₁₆	2 ² / ₁₃₂	2.9370	1.189	3 ³ / ₄	UC214-211D1
2 ³/₄	UCFL214-212D1												UC214-212D1
75	UCFL215D1	275	225	34	22	56	23	165	78.5	77.8	33.3	M20	UC215D1
2 ¹ / ₁₆	UCFL215-213D1												UC215-213D1
2 ³ / ₈	UCFL215-214D1	10 ¹⁰ / ₁₆	8 ⁸ / ₁₆	1 ¹ / ₃₂	3 ³ / ₈	2 ² / ₃₂	3 ³ / ₃₂	6 ⁶ / ₁₂	3 ³ / ₃₂	3.0630	1.311	3 ³ / ₄	UC215-214D1
2 ¹ / ₁₆	UCFL215-215D1												UC215-215D1
3	UCFL215-300D1												UC215-300D1
80	UCFL216D1	290	233	34	22	58	25	180	83.3	82.6	33.3	M22	UC216D1
3 ³ / ₁₆	UCFL216-301D1												UC216-301D1
3 ¹ / ₈	UCFL216-302D1	11 ¹¹ / ₃₂	9 ⁹ / ₁₆	1 ¹ / ₃₂	3 ³ / ₈	2 ² / ₃₂	1 ¹ / ₁₆	7 ⁷ / ₃₂	3 ³ / ₃₂	3.2520	1.311	3 ³ / ₈	UC216-302D1
3 ³ / ₁₆	UCFL216-303D1												UC216-303D1

Remarks: 1) These numbers indicate relubricatable type. If maintenance free type is needed, please order without suffix "D1".

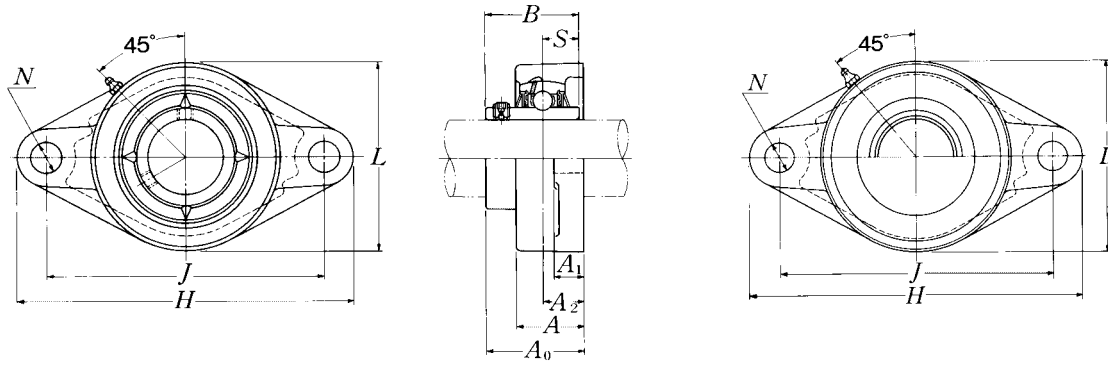
Note: Please refer to page 25 for size of grease fitting.



Cast dust cover type
 Open end: **C-UCFL...D1**
 Closed end: **CM-UCFL...D1**

Housing number	Unit number pressed steel dust cover type	Unit number cast dust cover type	Nominal dimensions					Mass of unit		
			t max.	mm	inch	L ₁	L ₂	UCFL	S(SM)	C(CM)
				A ₄	A ₅					
FL210D1	S(SM)-UCFL210D1	C(CM)-UCFL210D1	3	65.5	72	120	58	2.2	2.3	3.0
FL210D1	S(SM)-UCFL210-113D1	C(CM)-UCFL210-113D1	1.8	21(32)	2@32	4@32	2(32)	4.9	5.1	6.6
FL210D1	S(SM)-UCFL210-114D1	C(CM)-UCFL210-114D1								
FL210D1	S(SM)-UCFL210-115D1	C(CM)-UCFL210-115D1								
FL210D1	-	-								
FL211D1	S(SM)-UCFL211D1	C(CM)-UCFL211D1	4	71	75	133	65	3.1	3.2	4.3
FL211D1	S(SM)-UCFL211-200D1	C(CM)-UCFL211-200D1	1.32	2@32	21#16	51#4	2(16)	6.8	7.1	9.5
FL211D1	S(SM)-UCFL211-201D1	C(CM)-UCFL211-201D1								
FL211D1	S(SM)-UCFL211-202D1	C(CM)-UCFL211-202D1								
FL211D1	S(SM)-UCFL211-203D1	C(CM)-UCFL211-203D1								
FL212D1	S(SM)-UCFL212D1	C(CM)-UCFL212D1	4	80	86	144	70	4.0	4.2	5.1
FL212D1	S(SM)-UCFL212-204D1	C(CM)-UCFL212-204D1	1.32	3@32	3#8	5@132	2#4	8.8	9.3	11
FL212D1	S(SM)-UCFL212-205D1	C(CM)-UCFL212-205D1								
FL212D1	S(SM)-UCFL212-206D1	C(CM)-UCFL212-206D1								
FL212D1	-	-								
FL213D1	S(SM)-UCFL213D1	C(CM)-UCFL213D1	4	83.5	90	157	78	5.0	5.2	6.6
FL213D1	S(SM)-UCFL213-208D1	C(CM)-UCFL213-208D1	1.32	3(32)	31&32	6#16	3(16)	11	11	15
FL213D1	S(SM)-UCFL213-209D1	C(CM)-UCFL213-209D1								
FL214D1	-	C(CM)-UCFL214D1	4	-	98	164	80	5.6	-	7.3
FL214D1	-	C(CM)-UCFL214-210D1	1.32	-	3@32	61@32	3@32	12	-	16
FL214D1	-	C(CM)-UCFL214-211D1								
FL214D1	-	C(CM)-UCFL214-212D1								
FL215D1	-	C(CM)-UCFL215D1	4	-	102	169	82	6.2	-	7.8
FL215D1	-	C(CM)-UCFL215-213D1	1.32	-	4(32)	6@132	3&32	14	-	17
FL215D1	-	C(CM)-UCFL215-214D1								
FL215D1	-	C(CM)-UCFL215-215D1								
FL215D1	-	C(CM)-UCFL215-300D1								
FL216D1	-	C(CM)-UCFL216D1	4	-	106	183	90	8.2	-	11
FL216D1	-	C(CM)-UCFL216-301D1	1.32	-	4#16	7&32	31&32	18	-	24
FL216D1	-	C(CM)-UCFL216-302D1								
FL216D1	-	C(CM)-UCFL216-303D1								

Flanged cartridge units cast housing
Set screw type



Pressed steel dust cover type

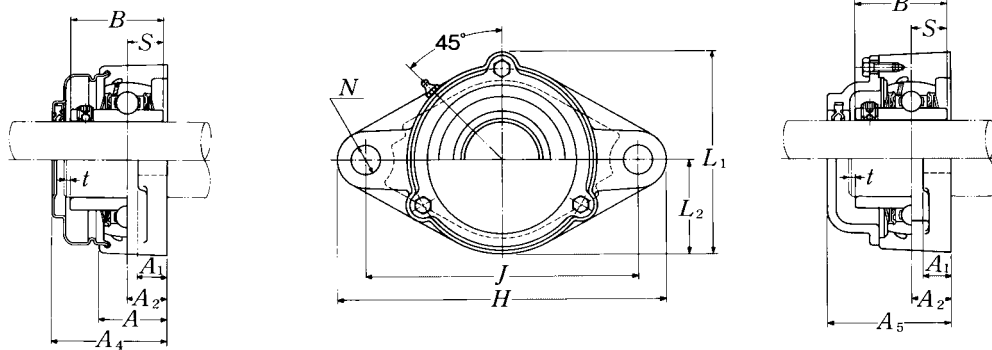
Open end: **S-UCFL...D1**

Closed end: **SM-UCFL...D1**

Shaft dia.	Unit number ¹⁾	Nominal dimensions										Bolt size	Bearing number
		mm					inch						
		H	J	A ₂	A ₁	A	N	L	A ₀	B	S		
85	UCFL217D1	305	248	36	24	63	25	190	87.6	85.7	34.1	M22	UC217D1
3 1/4	UCFL217-304D1												UC217-304D1
3 5/16	UCFL217-305D1	12	9 5/16	1 1/8	1 1/16	2 1/2	1 1/4	7 1/2	3 3/8	3.3740	1.343	8/8	UC217-305D1
3 7/16	UCFL217-307D1												UC217-307D1
90	UCFL218D1	320	265	40	24	68	25	205	96.3	96	39.7	M22	UC218D1
3 1/2	UCFL218-308D1	12 1/2	10 3/8	1 5/8	1 1/16	2 1/2	1 1/4	8 1/8	3 7/8	3.7795	1.563	8/8	UC218-308D1

Remarks: 1) These numbers indicate relubricatable type. If maintenance free type is needed, please order without suffix "D1".

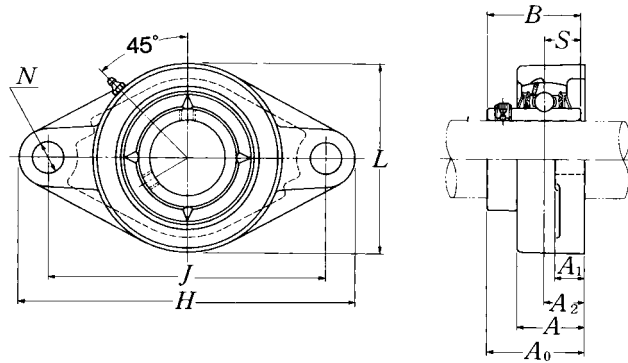
Note: Please refer to page 25 for size of grease fitting.



Cast dust cover type
 Open end: **C-UCFL...D1**
 Closed end: **CM-UCFL...D1**

Housing number	Unit number pressed steel dust cover type	Unit number cast dust cover type	Nominal dimensions					Mass of unit		
			mm		inch			kg		lb
			t max.	A ₄	A ₅	L ₁	L ₂	UCFL	S(SM)	C(CM)
FL217D1	-	C(CM)-UCFL217D1	5	-	114	192	95	9.3	-	11
FL217D1	-	C(CM)-UCFL217-304D1	5	-	114	192	95	9.3	-	11
FL217D1	-	C(CM)-UCFL217-305D1	1/8	-	4 1/2	7 1/8	3 1/4	21	-	24
FL217D1	-	C(CM)-UCFL217-307D1	5	-	114	192	95	9.3	-	11
FL218D1	-	C(CM)-UCFL218D1	5	-	122	205	102	11	-	14
FL218D1	-	C(CM)-UCFL218-308D1	1/8	-	4 1/8	8 1/8	4 1/4	24	-	31

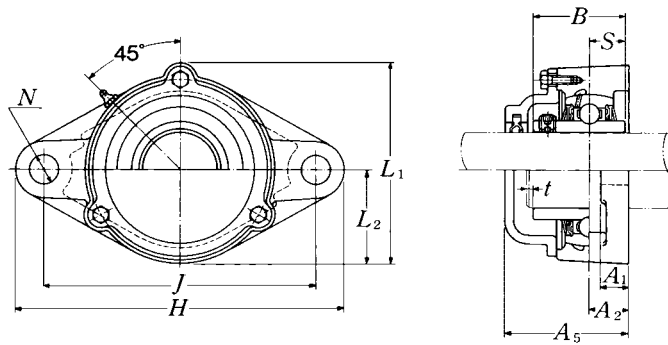
Flanged cartridge units cast housing Set screw type



Shaft dia.	Unit number ¹⁾	Nominal dimensions										Bolt size	Bearing number
		mm					inch						
mm inch		H	J	A ₂	A ₁	A	N	L	A ₀	B	S	mm inch	
25	UCFL305D1	150	113	16	13	29	19	80	39	38	15	M16	UC305D1
1#7/16	UCFL305-013D1												UC305-013D1
3/8	UCFL305-014D1	5 ^{9/32}	4 ^{7/16}	5/8	1/2	1 ^{1/32}	3/4	3 ^{1/32}	1 ^{11/32}	1.4961	0.591	3/8	UC305-014D1
1#7/16	UCFL305-015D1												UC305-015D1
1	UCFL305-100D1												UC305-100D1
30	UCFL306D1	180	134	18	15	32	23	90	44	43	17	M20	UC306D1
1#1/2	UCFL306-101D1												UC306-101D1
1#1/8	UCFL306-102D1	7 ^{7/32}	5 ^{3/32}	5/8	1/2	1 ^{1/4}	1 ^{1/8}	3 ^{11/32}	1 ^{5/8}	1.6929	0.669	#4	UC306-102D1
1#7/16	UCFL306-103D1												UC306-103D1
35	UCFL307D1	185	141	20	16	36	23	100	49	48	19	M20	UC307D1
1#1/4	UCFL307-104D1												UC307-104D1
1#7/16	UCFL307-105D1	7 ^{3/32}	5 ^{5/64}	11/32	5/8	1 ^{1/32}	1 ^{1/8}	3 ^{1/16}	1 ^{1/8}	1.8898	0.748	#4	UC307-105D1
1#3/8	UCFL307-106D1												UC307-106D1
1#7/16	UCFL307-107D1												UC307-107D1
40	UCFL308D1	200	158	23	17	40	23	112	56	52	19	M20	UC308D1
1#1/2	UCFL308-108D1												UC308-108D1
1#7/16	UCFL308-109D1	7 ^{5/8}	6 ^{1/32}	1 ^{1/8}	1 ^{1/4}	1 ^{1/2}	1 ^{1/8}	4 ^{1/32}	2 ^{1/4}	2.0472	0.748	#4	UC308-109D1
45	UCFL309D1	230	177	25	18	44	25	125	60	57	22	M22	UC309D1
1#3/8	UCFL309-110D1												UC309-110D1
1#1/16	UCFL309-111D1	9 ^{1/16}	6 ^{1/32}	1 ^{1/4}	1 ^{1/8}	1 ^{1/4}	1 ^{1/4}	4 ^{1/32}	2 ^{1/4}	2.2441	0.866	3/8	UC309-111D1
1#7/16	UCFL309-112D1												UC309-112D1
50	UCFL310D1	240	187	28	19	48	25	140	67	61	22	M22	UC310D1
1#7/16	UCFL310-113D1												UC310-113D1
1#3/8	UCFL310-114D1	9 ^{5/16}	7 ^{1/64}	1 ^{1/4}	1 ^{1/8}	1 ^{1/2}	1 ^{1/4}	5 ^{1/2}	2 ^{1/4}	2.4016	0.866	3/8	UC310-114D1
1#7/16	UCFL310-115D1												UC310-115D1
55	UCFL311D1	250	198	30	20	52	25	150	71	66	25	M22	UC311D1
2	UCFL311-200D1												UC311-200D1
2#7/16	UCFL311-201D1	9 ^{9/32}	7 ^{1/64}	1 ^{1/16}	1 ^{1/8}	2 ^{1/16}	1 ^{1/4}	5 ^{1/32}	2 ^{1/4}	2.5984	0.984	3/8	UC311-201D1
2#3/8	UCFL311-202D1												UC311-202D1
2#7/16	UCFL311-203D1												UC311-203D1

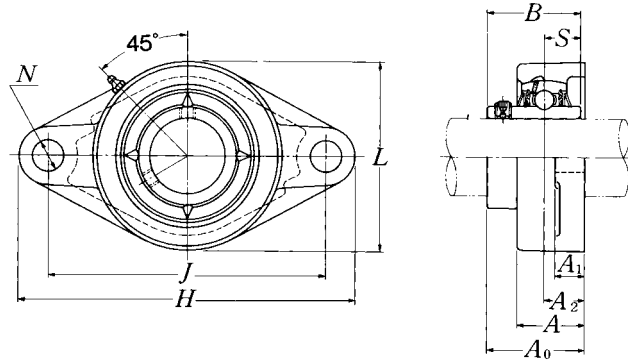
Remarks: 1) These numbers indicate relubricatable type. If maintenance free type is needed, please order without suffix "D1".

Note: Please refer to page 25 for size of grease fitting.

**Cast dust cover type**Open end: **C-UCFL...D1**Closed end: **CM-UCFL...D1**

Housing number	Unit number cast dust cover type	Nominal dimensions				Mass of unit	
		mm		inch		kg	lb
		t max.	A ₅	L ₁	L ₂	UCFL	C(CM)
FL305D1	C(CM)-UCFL305D1	2	56	86	40	1.1	1.5
FL305D1	C(CM)-UCFL305-013D1						
FL305D1	C(CM)-UCFL305-014D1	$\frac{3}{64}$	$2\frac{3}{32}$	$3\frac{3}{8}$	$1\frac{1}{16}$	2.4	3.3
FL305D1	C(CM)-UCFL305-015D1						
FL305D1	C(CM)-UCFL305-100D1						
FL306D1	C(CM)-UCFL306D1	2	60	101	45	1.5	1.9
FL306D1	C(CM)-UCFL306-101D1						
FL306D1	C(CM)-UCFL306-102D1	$\frac{3}{64}$	$2\frac{3}{8}$	$3\frac{1}{32}$	$1\frac{1}{32}$	3.3	4.2
FL306D1	C(CM)-UCFL306-103D1						
FL307D1	C(CM)-UCFL307D1	3	68	110	50	1.9	2.3
FL307D1	C(CM)-UCFL307-104D1						
FL307D1	C(CM)-UCFL307-105D1	$\frac{1}{8}$	$2\frac{1}{16}$	$4\frac{1}{32}$	$1\frac{1}{32}$	4.2	5.1
FL307D1	C(CM)-UCFL307-106D1						
FL307D1	C(CM)-UCFL307-107D1						
FL308D1	C(CM)-UCFL308D1	3	76	122	56	2.5	3.3
FL308D1	C(CM)-UCFL308-108D1	$\frac{1}{8}$	3	$4\frac{1}{16}$	$2\frac{3}{32}$	5.5	7.3
FL308D1	C(CM)-UCFL308-109D1						
FL309D1	C(CM)-UCFL309D1	3	80	135	62	3.4	4.2
FL309D1	C(CM)-UCFL309-110D1						
FL309D1	C(CM)-UCFL309-111D1	$\frac{1}{8}$	$3\frac{3}{32}$	$5\frac{1}{16}$	$2\frac{1}{16}$	7.5	9.3
FL309D1	C(CM)-UCFL309-112D1						
FL310D1	C(CM)-UCFL310D1	3	88	152	70	4.4	5.3
FL310D1	C(CM)-UCFL310-113D1						
FL310D1	C(CM)-UCFL310-114D1	$\frac{1}{8}$	$3\frac{1}{32}$	$5\frac{1}{32}$	$2\frac{3}{4}$	9.7	12
FL310D1	C(CM)-UCFL310-115D1						
FL311D1	C(CM)-UCFL311D1	4	92	162	75	5.1	6.2
FL311D1	C(CM)-UCFL311-200D1						
FL311D1	C(CM)-UCFL311-201D1	$\frac{3}{32}$	$3\frac{3}{8}$	$6\frac{3}{8}$	$2\frac{1}{16}$	11	14
FL311D1	C(CM)-UCFL311-202D1						
FL311D1	C(CM)-UCFL311-203D1						

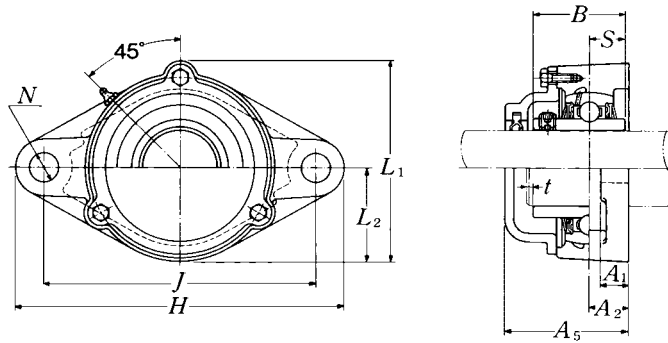
Flanged units cast housing Set screw type



Shaft dia. mm inch	Unit number ¹⁾	Nominal dimensions										Bolt size mm inch	Bearing number
		H	J	A ₂	A ₁	A	N	L	A ₀	B	S		
60 2 1/4 2 2/16 2 #8 2 2/16	UCFL312D1 UCFL312-204D1 UCFL312-205D1 UCFL312-206D1 UCFL312-207D1	270	212	33	22	56	31	160	78	71	26	M27	UC312D1 UC312-204D1 UC312-205D1 UC312-206D1 UC312-207D1
		10 5/8	8 1/32	1 1/64	8/8	2 2/32	1 1/32	6 7/16	3 3/64	2.7953	1.024	1	
65 2 1/2 2 7/16	UCFL313D1 UCFL313-208D1 UCFL313-209D1	295	240	33	25	58	31	175	78	75	30	M27	UC313D1 UC313-208D1 UC313-209D1
		11 5/8	9 5/64	1 1/64	1 1/32	2 1/32	1 1/32	6 8/8	3 3/64	2.9528	1.181	1	
70 2 3/8 2 1 1/16 2 7/4	UCFL314D1 UCFL314-210D1 UCFL314-211D1 UCFL314-212D1	315	250	36	28	61	35	185	81	78	33	M30	UC314D1 UC314-210D1 UC314-211D1 UC314-212D1
		12 1/32	9 5/32	1 5/64	1 1/32	2 1/32	1 3/8	7 1/32	3 7/16	3.0709	1.299	1 1/8	
75 2 1 1/16 2 3/8 2 1 1/16 3	UCFL315D1 UCFL315-213D1 UCFL315-214D1 UCFL315-215D1 UCFL315-300D1	320	260	39	30	66	35	195	89	82	32	M30	UC315D1 UC315-213D1 UC315-214D1 UC315-215D1 UC315-300D1
		12 1/32	10 1/64	1 1/32	1 1/16	2 1/32	1 3/8	7 11/16	3 1/2	3.2283	1.260	1 1/8	
80 3 1/16 3 1/8 3 7/16	UCFL316D1 UCFL316-301D1 UCFL316-302D1 UCFL316-303D1	355	285	38	32	68	38	210	90	86	34	M33	UC316D1 UC316-301D1 UC316-302D1 UC316-303D1
		13 7/32	11 1/32	1 1/2	1 1/4	2 1 1/16	1 1/2	8 1/32	3 3/64	3.3858	1.339	1 1/4	
85 3 1/4 3 2/16 3 2/16	UCFL317D1 UCFL317-304D1 UCFL317-305D1 UCFL317-307D1	370	300	44	32	74	38	220	100	96	40	M33	UC317D1 UC317-304D1 UC317-305D1 UC317-307D1
		14 1/16	11 1 1/16	1 5/64	1 1/4	2 5/32	1 1/2	8 5/32	3 1 1/16	3.7795	1.575	1 1/4	
90 3 2/16 3 1/2	UCFL318D1 UCFL318-307D1 UCFL318-308D1	385	315	44	36	76	38	235	100	96	40	M33	UC318D1 UC318-307D1 UC318-308D1
		15 1/32	12 1 1/32	1 5/64	1 1 1/32	3	1 1/2	9 1/4	3 1 1/16	3.7795	1.575	1 1/4	

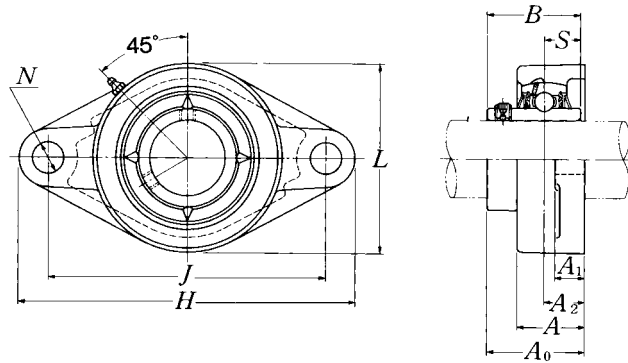
Remarks: 1) These numbers indicate relubricatable type. If maintenance free type is needed, please order without suffix "D1".

Note: Please refer to page 25 for size of grease fitting.

**Cast dust cover type**Open end: **C-UCFL...D1**Closed end: **CM-UCFL...D1**

Housing number	Unit number cast dust cover type	Nominal dimensions				Mass of unit	
		mm		inch		kg	lb
		t max.	A ₅	L ₁	L ₂	UCFL	C(CM)
FL312D1	C(CM)-UCFL312D1	4	100	175	80	6.1	7.7
FL312D1	C(CM)-UCFL312-204D1						
FL312D1	C(CM)-UCFL312-205D1	$\frac{3}{32}$	3 $\frac{1}{16}$	6 $\frac{3}{8}$	3 $\frac{3}{32}$	13	17
FL312D1	C(CM)-UCFL312-206D1						
FL312D1	C(CM)-UCFL312-207D1						
FL313D1	C(CM)-UCFL313D1	4	103	189	88	7.8	9.9
FL313D1	C(CM)-UCFL313-208D1	$\frac{3}{32}$	4 $\frac{1}{16}$	7 $\frac{7}{16}$	3 $\frac{1}{32}$	17	22
FL313D1	C(CM)-UCFL313-209D1						
FL314D1	C(CM)-UCFL314D1	4	106	198	92	9.0	12
FL314D1	C(CM)-UCFL314-210D1						
FL314D1	C(CM)-UCFL314-211D1	$\frac{3}{32}$	4 $\frac{7}{16}$	7 $\frac{3}{32}$	3 $\frac{3}{8}$	20	26
FL314D1	C(CM)-UCFL314-212D1						
FL315D1	C(CM)-UCFL315D1	4	114	210	98	10	12
FL315D1	C(CM)-UCFL315-213D1						
FL315D1	C(CM)-UCFL315-214D1	$\frac{3}{32}$	4 $\frac{1}{2}$	8 $\frac{7}{32}$	3 $\frac{3}{32}$	22	26
FL315D1	C(CM)-UCFL315-215D1						
FL315D1	C(CM)-UCFL315-300D1						
FL316D1	C(CM)-UCFL316D1	4	116	222	105	13	16
FL316D1	C(CM)-UCFL316-301D1						
FL316D1	C(CM)-UCFL316-302D1	$\frac{3}{32}$	4 $\frac{7}{16}$	8 $\frac{7}{16}$	4 $\frac{1}{8}$	29	35
FL316D1	C(CM)-UCFL316-303D1						
FL317D1	C(CM)-UCFL317D1	5	127	234	110	15	18
FL317D1	C(CM)-UCFL317-304D1						
FL317D1	C(CM)-UCFL317-305D1	$\frac{1}{16}$	5	9 $\frac{3}{32}$	4 $\frac{11}{32}$	33	40
FL317D1	C(CM)-UCFL317-307D1						
FL318D1	C(CM)-UCFL318D1	5	129	247	118	18	21
FL318D1	C(CM)-UCFL318-307D1	$\frac{1}{16}$	5 $\frac{7}{32}$	9 $\frac{3}{32}$	4 $\frac{11}{32}$	40	46
FL318D1	C(CM)-UCFL318-308D1						

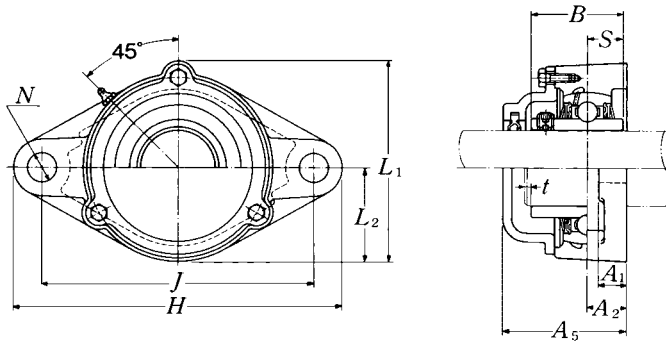
Flanged units cast housing Set screw type



Shaft dia.	Unit number ¹⁾	Nominal dimensions										Bolt size	Bearing number
		mm					inch						
		<i>H</i>	<i>J</i>	<i>A₂</i>	<i>A₁</i>	<i>A</i>	<i>N</i>	<i>L</i>	<i>A₀</i>	<i>B</i>	<i>S</i>		
95 3 ^{3/8} 3 1/16	UCFL319D1 UCFL319-310D1 UCFL319-311D1 UCFL319-312D1	405	330	59	40	94	41	250	121	103	41	M36	UC319D1 UC319-310D1 UC319-311D1 UC319-312D1
100 3 1/16 3 ^{3/8} 3 1/16 4	UCFL320D1 UCFL320-313D1 UCFL320-314D1 UCFL320-315D1 UCFL320-400D1	440	360	59	40	94	44	270	125	108	42	M39	UC320D1 UC320-313D1 UC320-314D1 UC320-315D1 UC320-400D1
105	UCFL321D1	440	360	59	40	94	44	270	127	112	44	M39	UC321D1
110	UCFL322D1	470	390	60	42	96	44	300	131	117	46	M39	UC322D1
120	UCFL324D1	520	430	65	48	110	47	330	140	126	51	M42	UC324D1
130	UCFL326D1	550	460	65	50	115	47	360	146	135	54	M42	UC326D1
140	UCFL328D1	600	500	75	60	125	51	400	161	145	59	M45	UC328D1

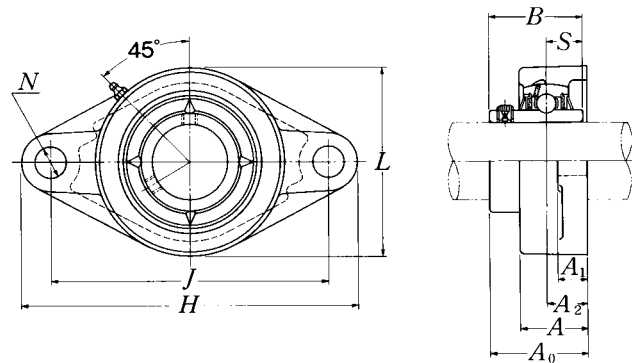
Remarks: 1) These numbers indicate relubricatable type. If maintenance free type is needed, please order without suffix "D1".

Note: Please refer to page 25 for size of grease fitting.

**Cast dust cover type**Open end: **C-UCFL...D1**Closed end: **CM-UCFL...D1**

Housing number	Unit number cast dust cover type	Nominal dimensions				Mass of unit	
		mm		inch		kg	lb
		t max.	A ₅	L ₁	L ₂	UCFL	C(CM)
FL319D1	C(CM)-UCFL319D1	5	149	260	125	22	26
FL319D1	C(CM)-UCFL319-310D1						
FL319D1	C(CM)-UCFL319-311D1	!#%4	5&&8	10!74	4@732	49	57
FL319D1	C(CM)-UCFL319-312D1						
FL320D1	C(CM)-UCFL320D1	5	154	280	135	27	31
FL320D1	C(CM)-UCFL320-313D1						
FL320D1	C(CM)-UCFL320-314D1						
FL320D1	C(CM)-UCFL320-315D1	!#%4	6!716	11!732	5%716	60	68
FL320D1	C(CM)-UCFL320-400D1						
FL321D1	C(CM)-UCFL321D1	5	156	287	135	27	32
FL322D1	C(CM)-UCFL322D1	5	160	315	150	33	39
FL324D1	C(CM)-UCFL324D1	5	172	342	165	48	52
FL326D1	C(CM)-UCFL326D1	6	178	376	180	58	64
FL328D1	C(CM)-UCFL328D1	6	192	410	200	81	89

Flanged units cast housing
Set screw type



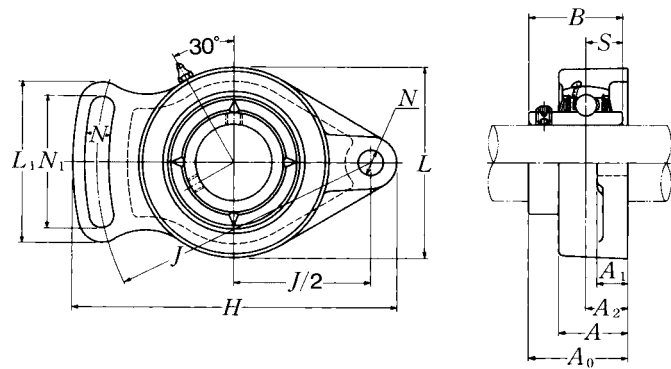
Shaft dia.	Unit number ¹⁾	Nominal dimensions										Bolt size	Bearing number
		mm					inch						
mm inch		H	J	A ₂	A ₁	A	N	L	A ₀	B	S	mm inch	
25	UCFLX05D1	141	117	18	13	30	12	83	40.2	38.1	15.9	M10	UCX05D1
1 ¹ / ₁₆	UCFLX05-013D1												UCX05-013D1
3 ¹ / ₈	UCFLX05-014D1	5 ⁷ / ₁₆	4 ⁷ / ₁₆	5 ³ / ₁₆	1 ² / ₂	1 ¹ / ₁₆	1 ¹ / ₃₂	3 ¹ / ₃₂	1 ⁷ / ₁₆	1.5000	0.626	#8	UCX05-014D1
1 ¹ / ₁₆	UCFLX05-015D1												UCX05-015D1
1	UCFLX05-100D1												UCX05-100D1
30	UCFLX06D1	156	130	19	15	34	16	95	44.4	42.9	17.5	M14	UCX06D1
1 ¹ / ₁₆	UCFLX06-101D1												UCX06-101D1
1 ¹ / ₈	UCFLX06-102D1	6 ¹ / ₃₂	5 ¹ / ₈	#4	1 ¹ / ₃₂	1 ¹ / ₃₂	3 ¹ / ₈	3 ³ / ₄	1 ⁷ / ₄	1.6890	0.689	1 ² / ₂	UCX06-102D1
1 ¹ / ₁₆	UCFLX06-103D1												UCX06-103D1
1 ¹ / ₄	UCFLX06-104D1												UC207-104D1
35	UCFLX07D1	171	144	21	16	38	16	105	51.2	49.2	19	M14	UCX07D1
1 ¹ / ₁₆	UCFLX07-105D1												UCX07-105D1
1 ¹ / ₈	UCFLX07-106D1	6 ¹ / ₃₂	5 ⁵ / ₁₆	5 ³ / ₁₆	3 ¹ / ₈	1 ¹ / ₂	3 ¹ / ₈	4 ¹ / ₈	2 ¹ / ₁₆	1.9370	0.748	1 ² / ₂	UCX07-106D1
1 ¹ / ₁₆	UCFLX07-107D1												UCX07-107D1
40	UCFLX08D1	179	148	22	16	40	16	111	52.2	49.2	19	M14	UCX08D1
1 ¹ / ₂	UCFLX08-108D1												UCX08-108D1
1 ¹ / ₁₆	UCFLX08-109D1	7 ¹ / ₁₆	5 ⁵ / ₁₆	5 ³ / ₁₆	3 ¹ / ₈	1 ¹ / ₁₆	3 ¹ / ₈	4 ³ / ₈	2 ¹ / ₁₆	1.9370	0.748	1 ² / ₂	UCX08-109D1
45	UCFLX09D1	189	157	23	16	40	16	116	55.6	51.6	19	M14	UCX09D1
1 ³ / ₈	UCFLX09-110D1												UCX09-110D1
1 ¹ / ₁₆	UCFLX09-111D1	7 ⁷ / ₁₆	6 ⁷ / ₁₆	1 ¹ / ₃₂	3 ¹ / ₈	1 ¹ / ₁₆	3 ¹ / ₈	4 ¹ / ₁₆	2 ⁷ / ₁₆	2.0315	0.748	1 ² / ₂	UCX09-111D1
1 ¹ / ₄	UCFLX09-112D1												UCX09-112D1
1 ¹ / ₁₆	UCFLX09-113D1												UC210-113D1
50	UCFLX10D1	216	184	26	18	44	19	133	59.4	55.6	22.2	M16	UCX10D1
1 ³ / ₈	UCFLX10-114D1												UCX10-114D1
1 ¹ / ₁₆	UCFLX10-115D1	8 ¹ / ₂	7 ¹ / ₄	1 ¹ / ₃₂	1 ¹ / ₃₂	1 ¹ / ₁₆	3 ¹ / ₄	5 ¹ / ₄	2 ¹ / ₃₂	2.1890	0.874	3 ¹ / ₈	UCX10-115D1
2	UCFLX10-200D1												UC211-200D1

Remarks: 1) These numbers indicate relubricatable type. If maintenance free type is needed, please order without suffix "D1".

Note: Please refer to page 25 for size of grease fitting.

Housing number	Mass of unit	
	kg	lb
FLX05D1	1.0	
FLX05D1		
FLX05D1	2.2	
FLX05D1		
FLX05D1		
FLX06D1	1.5	
FLX06D1		
FLX06D1	3.3	
FLX06D1		
FLX06D1		
FLX07D1	2.0	
FLX07D1		
FLX07D1	4.4	
FLX07D1		
FLX08D1	2.2	
FLX08D1	4.9	
FLX08D1		
FLX09D1	2.4	
FLX09D1		
FLX09D1	5.3	
FLX09D1		
FLX09D1		
FLX10D1	3.4	
FLX10D1		
FLX10D1	7.5	
FLX10D1		

Flanged units cast housing special type Set screw type



Shaft dia.	Unit number ¹⁾	Nominal dimensions													Bolt size
		mm						inch							
mm inch		H	J	A ₂	A ₁	A	N	N ₁	L	L ₁	A ₀	B	S	mm inch	
12 !2	UCFA201D1 UCFA201-008D1	98 3@%32	78 3!716	15 !(32	12 !%32	25.5 1	10 @%64	40 1(716	60 2#8	50 1#132	33.3 1%716	31 1.2205	12.7 0.500	M 8 %716	
15 (716 %8	UCFA202D1 UCFA202-009D1 UCFA202-010D1	98 3@%32	78 3!716	15 !(32	12 !%32	25.5 1	10 @%64	40 1(716	60 2#8	50 1#132	33.3 1%716	31 1.2205	12.7 0.500	M 8 %716	
17 !!716	UCFA203D1 UCFA203-011D1	98 3@%32	78 3!716	15 !(32	12 !%32	25.5 1	10 @%64	40 1(716	60 2#8	50 1#132	33.3 1%716	31 1.2205	12.7 0.500	M 8 %716	
20 #4	UCFA204D1 UCFA204-012D1	98 3@%32	78 3!716	15 !(32	12 !%32	25.5 1	10 @%64	40 1(716	60 2#8	50 1#132	33.3 1%716	31 1.2205	12.7 0.500	M 8 %716	
25 !#716 &8 !%716 1	UCFA205D1 UCFA205-013D1 UCFA205-014D1 UCFA205-015D1 UCFA205-100D1	124 4&8	96 3@%32	15 !(32	14 (716	26.5 1!32	13 ##64	49 1!716	70 2#4	64 2!&32	34.8 1#8	34.1 1.3425	14.3 0.563	M10 #8	
30 1!716 1!8 1#716 1!4	UCFA206D1 UCFA206-101D1 UCFA206-102D1 UCFA206-103D1 UCFA206-104D1	141 5(716	115 4!&32	18 \$%64	14 (716	31 1&32	13 ##64	53 2#32	80 3%32	68 2!716	40.2 1#&64	38.1 1.5000	15.9 0.626	M10 #8	
35 1!4 1%716 1#8 1&716	UCFA207D1 UCFA207-104D1 UCFA207-105D1 UCFA207-106D1 UCFA207-107D1	155 6#32	128 5!32	20 @%32	16 %8	34 1!!32	15 !(32	60 2#8	90 3!&32	75 2!716	45.4 1@%32	42.9 1.6890	17.5 0.689	M12 &716	
40 1!2 1(716	UCFA208D1 UCFA208-108D1 UCFA208-109D1	171 6@%32	142 5!(32	22 %64	16 %8	36 1!#32	15 !(32	69 2@%32	100 3!716	84 3%716	52.2 2!716	49.2 1.9370	19 0.748	M12 &716	

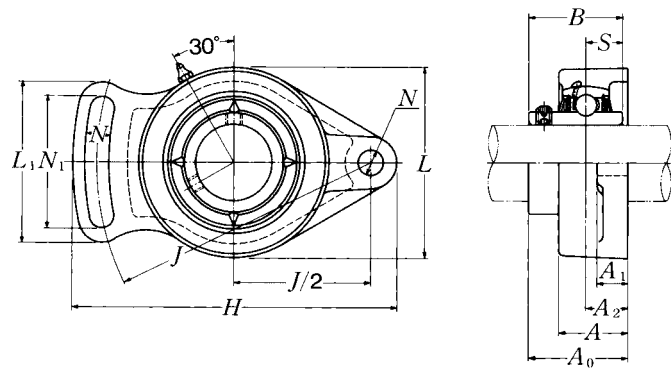
Remarks: 1) These numbers indicate relubricatable type. If maintenance free type is needed, please order without suffix "D1".

Note: Please refer to page 25 for size of grease fitting.

Bearing number	Housing number	Mass of unit	
		kg	lb
UC201D1	FA204D1	0.7	
UC201-008D1	FA204D1	1.5	
UC202D1	FA204D1	0.6	
UC202-009D1	FA204D1	1.3	
UC202-010D1	FA204D1		
UC203D1	FA204D1	0.6	
UC203-011D1	FA204D1	1.3	
UC204D1	FA204D1	0.6	
UC204-012D1	FA204D1	1.3	
UC205D1	FA205D1	0.8	
UC205-013D1	FA205D1		
UC205-014D1	FA205D1	1.8	
UC205-015D1	FA205D1		
UC205-100D1	FA205D1		
UC206D1	FA206D1	1.2	
UC206-101D1	FA206D1		
UC206-102D1	FA206D1	2.6	
UC206-103D1	FA206D1		
UC206-104D1	FA206D1		
UC207D1	FA207D1	1.5	
UC207-104D1	FA207D1		
UC207-105D1	FA207D1	3.3	
UC207-106D1	FA207D1		
UC207-107D1	FA207D1		
UC208D1	FA208D1	1.8	
UC208-108D1	FA208D1	4.0	
UC208-109D1	FA208D1		

Flanged units cast housing special type

Set screw type



Shaft dia.	Unit number ¹⁾	Nominal dimensions												Bolt size
		mm						inch						
mm inch		H	J	A ₂	A ₁	A	N	N ₁	L	L ₁	A ₀	B	S	mm inch
45	UCFA209D1	179	146	22	18	38	17	72	110	88	52.2	49.2	19	M14
1¹/₈	UCFA209-110D1													
1¹/₂	UCFA209-111D1	7 ¹ / ₁₆	5 ⁷ / ₁₆	¹ / ₁₆	³ / ₁₆	1 ¹ / ₂	⁵ / ₁₆	2 ³ / ₁₆	4 ¹ / ₁₆	3 ¹ / ₁₆	2 ¹ / ₁₆	1.9370	0.748	1 ¹ / ₂
1³/₄	UCFA209-112D1													
50	UCFA210D1	189	155	22	18	40	17	75	115	92	54.6	51.6	19	M14
1¹/₂	UCFA210-113D1													
1³/₈	UCFA210-114D1	7 ⁸ / ₁₆	6 ³ / ₁₆	¹ / ₁₆	³ / ₁₆	1 ¹ / ₁₆	⁵ / ₁₆	2 ¹ / ₁₆	4 ¹ / ₁₆	3 ⁸ / ₁₆	2 ³ / ₁₆	2.0315	0.748	1 ¹ / ₂
1¹/₂	UCFA210-115D1													
2	UCFA210-200D1													
55	UCFA211D1	216	182	26	20	43	17	85	130	102	59.4	55.6	22.2	M14
2	UCFA211-200D1													
2¹/₁₆	UCFA211-201D1	8 ¹ / ₈	7 ³ / ₁₆	1 ¹ / ₁₆	³ / ₁₆	1 ¹ / ₁₆	⁵ / ₁₆	3 ¹ / ₁₆	5 ¹ / ₈	4 ¹ / ₁₆	2 ¹ / ₁₆	2.1890	0.874	1 ¹ / ₂
2¹/₈	UCFA211-202D1													
2³/₁₆	UCFA211-203D1													

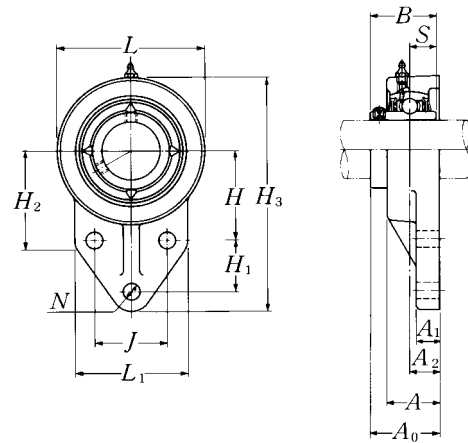
Remarks: 1) These numbers indicate relubricatable type. If maintenance free type is needed, please order without suffix "D1".

Note: Please refer to page 25 for size of grease fitting.

Bearing number	Housing number	Mass of unit	
		kg	lb
UC209D1	FA209D1	2.2	
UC209-110D1	FA209D1		
UC209-111D1	FA209D1	4.9	
UC209-112D1	FA209D1		
UC210D1	FA210D1	2.6	
UC210-113D1	FA210D1		
UC210-114D1	FA210D1	5.7	
UC210-115D1	FA210D1		
UC210-200D1	FA210D1		
UC211D1	FA211D1	3.6	
UC211-200D1	FA211D1		
UC211-201D1	FA211D1	7.9	
UC211-202D1	FA211D1		
UC211-203D1	FA211D1		

Flanged units cast housing special type

Set screw type



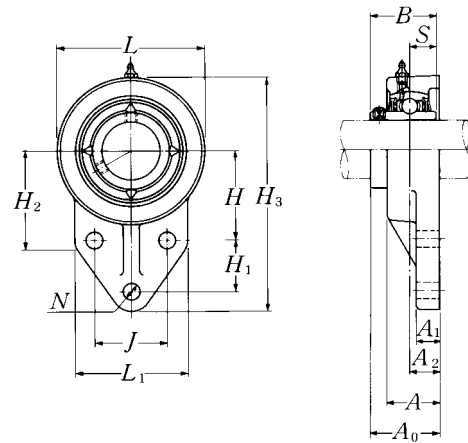
Shaft dia. mm inch	Unit number ¹⁾	Nominal dimensions														
		<i>H</i> ₃	<i>J</i>	<i>A</i> ₂	<i>A</i> ₁	<i>A</i>	<i>N</i>	<i>H</i>	<i>H</i> ₁	<i>L</i> ₁	<i>H</i> ₂	<i>L</i>	<i>A</i> ₀	<i>B</i>	<i>S</i>	
12 !2	UCFH201D1 UCFH201-008D1	110 4!132	32 1!&64	15 !(32	13 !2	25.5 1	10 @%64	42 1@!32	27 1!76	52 2!76	52 2!76	62 2&76	33.3 1%76	31 1.2205	12.7 0.500	
15 (76 %8	UCFH202D1 UCFH202-009D1 UCFH202-010D1	110 4!132	32 1!&64	15 !(32	13 !2	25.5 1	10 @%64	42 1@!32	27 1!76	52 2!76	52 2!76	62 2&76	33.3 1%76	31 1.2205	12.7 0.500	
17 !!76	UCFH203D1 UCFH203-011D1	110 4!132	32 1!&64	15 !(32	13 !2	25.5 1	10 @%64	42 1@!32	27 1!76	52 2!76	52 2!76	62 2&76	33.3 1%76	31 1.2205	12.7 0.500	
20 #4	UCFH204D1 UCFH204-012D1	110 4!132	32 1!&64	15 !(32	13 !2	25.5 1	10 @%64	42 1@!32	27 1!76	52 2!76	52 2!76	62 2&76	33.3 1%76	31 1.2205	12.7 0.500	
25 !#76 &8 !%76 1	UCFH205D1 UCFH205-013D1 UCFH205-014D1 UCFH205-015D1 UCFH205-100D1	116 4(76	34 1!!32	16 %8	13 !2	27 1!76	10 @%64	45 1\$(64	27 1!76	56 2&32	52 2!76	68 2!!76	35.8 1!#32	34.1 1.3425	14.3 0.563	
30 1!76 1!8 1#76 1!4	UCFH206D1 UCFH206-101D1 UCFH206-102D1 UCFH206-103D1 UCFH206-104D1	130 5!8	40 #&64	18 \$(64	13 !2	31 1&32	10 @%64	50 1#132	29 1(64	65 2(76	55 2%32	78 3!76	40.2 1#&64	38.1 1.5000	15.9 0.626	
35 1!4 1%76 1#8 1&76	UCFH207D1 UCFH207-104D1 UCFH207-105D1 UCFH207-106D1 UCFH207-107D1	144 5@!32	46 1!#76	19 #4	15 !(32	34 1!!32	10 @%64	55 2!!64	32 1!&64	70 2#4	62 2&76	90 3!&32	44.4 1#4	42.9 1.6890	17.5 0.689	
40 1!2 1(76	UCFH208D1 UCFH208-108D1 UCFH208-109D1	164 6!32	50 1#!32	21 %#64	16 %8	36 1!#32	12 !%32	60 2@#64	41 1#(64	78 3!76	72 2&32	100 3!76	51.2 2!64	49.2 1.9370	19 0.748	
45 1%8 1!!76 1#4	UCFH209D1 UCFH209-110D1 UCFH209-111D1 UCFH209-112D1	174 6&32	54 2!8	22 %64	18 @#32	38 1!2	12 !%32	65 2(76	43 1!!76	80 3%32	76 3	106 4#76	52.2 2!76	49.2 1.9370	19 0.748	

Remarks: 1) These numbers indicate relubricatable type. If maintenance free type is needed, please order without suffix "D1".

Note: Please refer to page 25 for size of grease fitting.

Bolt size	Bearing number	Housing number	Mass of unit	
			kg	lb
M 8 %7/6	UC201D1 UC201-008D1	FH204D1 FH204D1	0.7 1.5	
M 8 %7/6	UC202D1 UC202-009D1 UC202-010D1	FH204D1 FH204D1 FH204D1	0.7 1.5	
M 8 %7/6	UC203D1 UC203-011D1	FH204D1 FH204D1	0.7 1.5	
M 8 %7/6	UC204D1 UC204-012D1	FH204D1 FH204D1	0.7 1.5	
M 8 %7/6	UC205D1 UC205-013D1 UC205-014D1 UC205-015D1 UC205-100D1	FH205D1 FH205D1 FH205D1 FH205D1 FH205D1	0.8 1.8	
M 8 %7/6	UC206D1 UC206-101D1 UC206-102D1 UC206-103D1 UC206-104D1	FH206D1 FH206D1 FH206D1 FH206D1 FH206D1	1.0 2.2	
M 8 %7/6	UC207D1 UC207-104D1 UC207-105D1 UC207-106D1 UC207-107D1	FH207D1 FH207D1 FH207D1 FH207D1 FH207D1	1.3 2.9	
M10 #8	UC208D1 UC208-108D1 UC208-109D1	FH208D1 FH208D1 FH208D1	1.4 3.1	
M10 #8	UC209D1 UC209-110D1 UC209-111D1 UC209-112D1	FH209D1 FH209D1 FH209D1 FH209D1	2.2 4.9	

Flanged units cast housing special type Set screw type



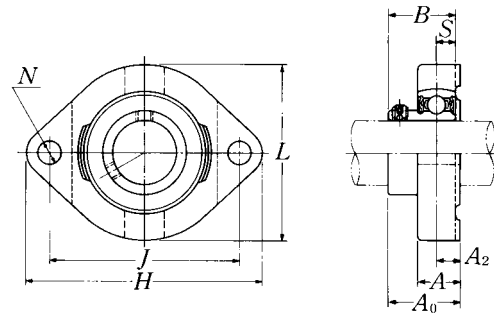
Shaft dia.	Unit number ¹⁾	Nominal dimensions													
		<i>H</i> ₃	<i>J</i>	<i>A</i> ₂	<i>A</i> ₁	<i>A</i>	<i>N</i>	<i>H</i>	<i>H</i> ₁	<i>L</i> ₁	<i>H</i> ₂	<i>L</i>	<i>A</i> ₀	<i>B</i>	<i>S</i>
mm inch		mm	inch	mm	inch	mm	inch	mm	inch	mm	inch	mm	inch	mm	inch
50	UCFH210D1	184	58	22	18	40	12	68	46	86	82	112	54.6	51.6	19
1 ¹ / ₁₆	UCFH210-113D1														
1 ⁸ / ₈	UCFH210-114D1	7 ¹ / ₄	2 ³ / ₃₂	⁵ / ₁₆	⁷ / ₃₂	1 ¹ / ₁₆	¹ / ₃₂	2 ⁵ / ₁₆	1 ¹ / ₁₆	3 ⁸ / ₈	3 ⁸ / ₃₂	4 ¹ / ₃₂	2 ³ / ₃₂	2.0315	0.748
1 ¹ / ₁₆	UCFH210-115D1														
2	UCFH210-200D1														

Remarks: 1) These numbers indicate relubricatable type. If maintenance free type is needed, please order without suffix "D1".

Note: Please refer to page 25 for size of grease fitting.

Bolt size	Bearing number	Housing number	Mass of unit	
			kg	lb
mm inch				
M10	UC210D1	FH210D1	2.5	
#8	UC210-113D1	FH210D1	5.5	
	UC210-114D1	FH210D1		
	UC210-115D1	FH210D1		
	UC210-200D1	FH210D1		

Flanged units cast housing Set screw type

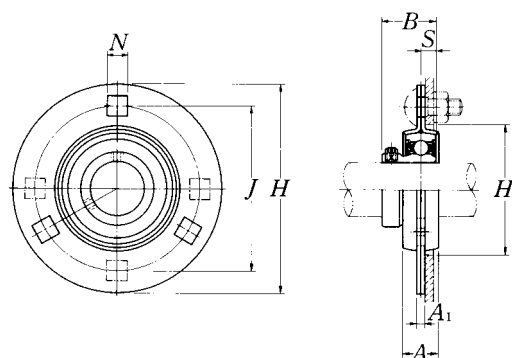


Shaft dia.	Unit number ¹⁾	Nominal dimensions									Bolt size	Bearing number ¹⁾
		mm		inch								
mm inch		H	J	A ₂	A	N	L	A ₀	B	S	mm inch	
12 1/2	ASFD201 ASFD201-008	81 3 1/8	63 2 1/4	8.5 ø1/4	15 1 1/2	7 3/4	59 2 3/8	24.5 1 1/2	22 0.8661	6 0.236	M6 1/4	AS201 AS201-008
15 3/8 5/8	ASFD202 ASFD202-009 ASFD202-010	81 3 1/8	63 2 1/4	8.5 ø1/4	15 1 1/2	7 3/4	59 2 3/8	24.5 1 1/2	22 0.8661	6 0.236	M6 1/4	AS202 AS202-009 AS202-010
17 1 1/8	ASFD203 ASFD203-011	81 3 1/8	63 2 1/4	8.5 ø1/4	15 1 1/2	7 3/4	59 2 3/8	24.5 1 1/2	22 0.8661	6 0.236	M6 1/4	AS203 AS203-011
20 3/4	ASFD204 ASFD204-012	90 3 5/8	71 2 7/8	9.5 #8	17 ø1 1/2	10 ø3/4	67 2 5/8	27.5 1 1/4	25 0.9843	7 0.276	M8 3/8	AS204 AS204-012
25 1 1/8 3/8 1 1/8 1	ASFD205 ASFD205-013 ASFD205-014 ASFD205-015 ASFD205-100	95 3 7/8	76 2 7/8	9.5 #8	17 ø1 1/2	10 ø3/4	71 2 7/8	29 1 1/4	27 1.0630	7.5 0.295	M8 3/8	AS205 AS205-013 AS205-014 AS205-015 AS205-100
30 1 1/8 1 1/8 1 3/8 1 1/4	ASFD206 ASFD206-101 ASFD206-102 ASFD206-103 ASFD206-104	113 4 5/8	90 3 5/8	12 1 1/2	21 1 7/8	12 1 1/2	84 3 1/8	33 1 1/4	29 1.1417	8 0.315	M10 #8	AS206 AS206-101 AS206-102 AS206-103 AS206-104
35 1 1/4 1 3/8 1 3/8 1 3/8	ASFD207 ASFD207-104 ASFD207-105 ASFD207-106 ASFD207-107	125 4 1/2	100 3 1/8	12.5 #1/4	22 ø8	12 1 1/2	94 3 11/8	38 1 1/2	34 1.3386	8.5 0.335	M10 #8	AS207 AS207-104 AS207-105 AS207-106 AS207-107

Remarks: 1) If relubricatable type is needed, please order with suffix "A-" "D1". ex. A-ASFD201D1

Housing ¹⁾ number	Mass of unit	
	kg	lb
FD201	0.3	
FD201	0.7	
FD201	0.3	
FD201	0.7	
FD201	0.3	
FD201	0.7	
FD204	0.4	
FD204	0.9	
FD205	0.5	
FD205		
FD205	1.1	
FD205		
FD205		
FD206	0.8	
FD206		
FD206	1.8	
FD206		
FD206		
FD207	0.9	
FD207		
FD207	2.0	
FD207		
FD207		

Flanged units pressed steel housing
Set screw type

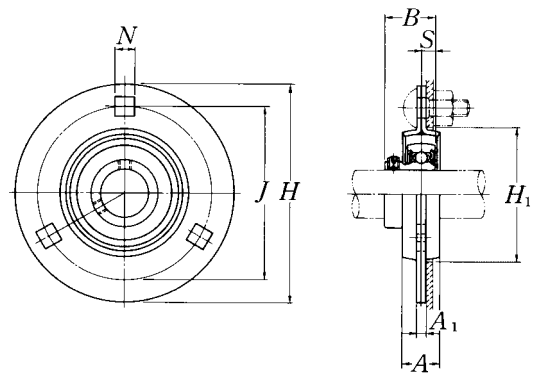


Shaft dia. mm inch	Unit number	Nominal dimensions								Bolt size mm inch	Max. load recommended		Bearing number
		mm				inch					N radial	lbf axial	
		H	J	A ₁	N ¹⁾	A	B	S	H ₁ min.				
12 1/2	ASPF201 ASPF201-008	81 3 1/8	63.5 2 1/2	4 0.157	7.1 3/8	14 1/2	22 0.8661	6 0.236	49 1 3/4	M6 1/4	2 700 600	1 350 300	AS201 AS201-008
15 3/8 5/8	ASPF202 ASPF202-009 ASPF202-010	81 3 1/8	63.5 2 1/2	4 0.157	7.1 3/8	14 1/2	22 0.8661	6 0.236	49 1 3/4	M6 1/4	2 700 600	1 350 300	AS202 AS202-009 AS202-010
17 1 1/8	ASPF203 ASPF203-011	81 3 1/8	63.5 2 1/2	4 0.157	7.1 3/8	14 1/2	22 0.8661	6 0.236	49 1 3/4	M6 1/4	2 700 600	1 350 300	AS203 AS203-011
20 3/4	ASPF204 ASPF204-012	90 3 5/8	71.5 2 7/8	4 0.157	9 3/4	16 5/8	25 0.9843	7 0.276	56 2 1/4	M8 5/8	3 000 660	1 500 330	AS204 AS204-012
25 1 3/8 1 3/4 1 7/8 1	ASPF205 ASPF205-013 ASPF205-014 ASPF205-015 ASPF205-100	95 3 3/4	76 2 9/8	4 0.157	9 3/4	18 3/2	27 1.0630	7.5 0.295	60 2 3/4	M8 5/8	4 000 880	2 000 440	AS205 AS205-013 AS205-014 AS205-015 AS205-100
30 1 1/8 1 1/2 1 3/4 1 1/2	ASPF206 ASPF206-101 ASPF206-102 ASPF206-103 ASPF206-104	113 4 3/8	90.5 3 5/8	5.2 0.205	11 7/8	18 3/2	29 1.1417	8 0.315	71 2 3/4	M10 #8	5 000 1 100	2 500 550	AS206 AS206-101 AS206-102 AS206-103 AS206-104
35 1 1/4 1 3/8 1 7/8 1 3/4	ASPF207 ASPF207-104 ASPF207-105 ASPF207-106 ASPF207-107	122 4 7/8	100 3 1/8	5.2 0.205	11 7/8	20 3/2	34 1.3386	8.5 0.335	81 3 1/8	M10 #8	6 000 1 300	3 000 650	AS207 AS207-104 AS207-105 AS207-106 AS207-107
40 1 1/2 1 3/4	ASPF208 ASPF208-108 ASPF208-109	148 5 7/8	119 4 1/8	6.8 0.268	13.5 1 1/4	21 1 1/8	38 1.4961	9 0.354	91 3 5/8	M12 1/2	7 000 1 500	3 500 750	AS208 AS208-108 AS208-109

Remarks: 1) ASPF208 has four bolt holes.

Housing number	Mass of unit
	kg lb
PF203	0.2
PF203	0.4
PF203	0.2
PF203	0.4
PF203	0.4
PF203	0.2
PF203	0.4
PF204	0.3
PF204	0.7
PF205	0.3
PF205	
PF205	0.7
PF205	
PF205	
PF206	0.5
PF206	
PF206	1.1
PF206	
PF206	
PF207	0.7
PF207	
PF207	1.5
PF207	
PF207	
PF208	1.1
PF208	2.4
PF208	

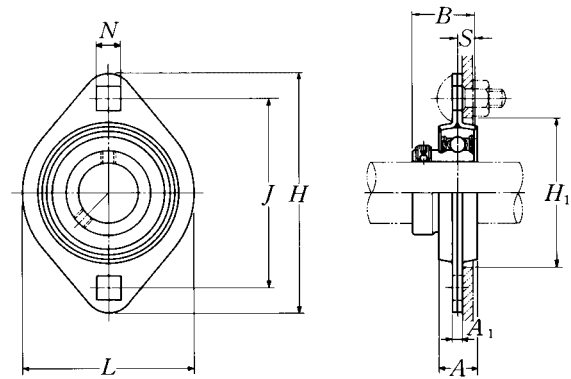
Flanged units pressed steel housing with rubber ring
Set screw type



Shaft dia. mm inch	Unit number	Nominal dimensions								Bolt size mm inch	Max. load recommended		Bearing number
		mm				inch					N radial	lbf axial	
		H	J	A ₁	N	A	B	S	H ₁ min.				
12	ASRPF201	90	71.5	4	9	16	22	6	56	M 8	1 000	200	AS201
1/2	ASRPF201-008	3 1/2	2 11/16	0.157	2 #64	5/8	0.8661	0.236	2 1/4	5/16	220	40	AS201-008
15	ASRPF202	90	71.5	4	9	16	22	6	56	M 8	1 000	200	AS202
3/8	ASRPF202-009	3 1/2	2 11/16	0.157	2 #64	5/8	0.8661	0.236	2 1/4	5/16	220	40	AS202-009
17	ASRPF203	90	71.5	4	9	16	22	6	56	M 8	1 000	200	AS203
1 1/8	ASRPF203-011	3 1/2	2 11/16	0.157	2 #64	5/8	0.8661	0.236	2 1/4	5/16	220	40	AS203-011
20	ASRPF204	95	76	4	9	18	25	7	60	M 8	1 150	200	AS204
3/4	ASRPF204-012	3 3/4	2 5/8	0.157	2 #64	3/2	0.9843	0.276	2 3/4	5/16	250	40	AS204-012
25	ASRPF205	113	90.5	5.2	11	18	27	7.5	71	M10	1 300	200	AS205
1 3/8	ASRPF205-013												AS205-013
1 1/2	ASRPF205-014	4 1/2	3 1/2	0.205	1 #8	3/2	1.0630	0.295	2 3/4	3/8	280	40	AS205-014
1 5/8	ASRPF205-015												AS205-015
1	ASRPF205-100												AS205-100
30	ASRPF206	122	100	5.2	11	20	29	8	81	M10	1 500	200	AS206
1 1/4	ASRPF206-101												AS206-101
1 1/8	ASRPF206-102	4 1/2	3 1/2	0.205	1 #8	3/2	1.1417	0.315	3 1/4	3/8	330	40	AS206-102
1 3/8	ASRPF206-103												AS206-103
1 1/4	ASRPF206-104												AS206-104

Housing number	Mass of unit
	kg lb
PF204	0.3
PF204	0.7
PF204	0.3
PF204	0.7
PF204	0.7
PF204	0.3
PF204	0.7
PF205	0.4
PF205	0.9
PF206	0.4
PF206	
PF206	0.9
PF206	
PF206	
PF207	0.6
PF207	
PF207	1.3
PF207	
PF207	

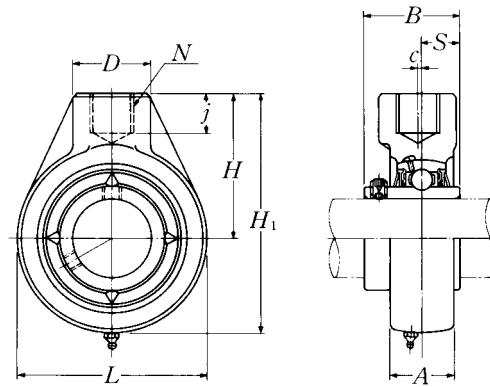
Flanged units pressed steel housing
Set screw type



Shaft dia. mm inch	Unit number	Nominal dimensions										Bolt size mm inch	Max. load recommended		Bearing number
		mm					inch						N radial	lbf axial	
		H	J	A ₁	N	A	L	B	S	H ₁ min.					
12 1/2	ASPFL201 ASPFL201-008	81 3 1/8	63.5 2 1/2	4 0.157	7.1 3/32	14 1/2	59 2 3/8	22 0.8661	6 0.236	49 1 9/16	M 6 1/4	2 700 600	1 350 300	AS201 AS201-008	
15 1/8 5/8	ASPFL202 ASPFL202-009 ASPFL202-010	81 3 1/8	63.5 2 1/2	4 0.157	7.1 3/32	14 1/2	59 2 3/8	22 0.8661	6 0.236	49 1 9/16	M 6 1/4	2 700 600	1 350 300	AS202 AS202-009 AS202-010	
17 1 1/8	ASPFL203 ASPFL203-011	81 3 1/8	63.5 2 1/2	4 0.157	7.1 3/32	14 1/2	59 2 3/8	22 0.8661	6 0.236	49 1 9/16	M 6 1/4	2 700 600	1 350 300	AS203 AS203-011	
20 3/4	ASPFL204 ASPFL204-012	90 3 1 1/8	71.5 2 1 1/8	4 0.157	9 3/8	16 5/8	67 2 5/8	25 0.9843	7 0.276	56 2 1 3/8	M 8 3/4	3 000 660	1 500 330	AS204 AS204-012	
25 1 3/8 1 1/8 1 1/8 1	ASPFL205 ASPFL205-013 ASPFL205-014 ASPFL205-015 ASPFL205-100	95 3 3/4	76 2 5/8	4 0.157	9 3/8	18 3/4	71 2 3/4	27 1.0630	7.5 0.295	60 2 3/8	M 8 3/4	4 000 880	2 000 440	AS205 AS205-013 AS205-014 AS205-015 AS205-100	
30 1 1/8 1 1/8 1 3/8 1 1/4	ASPFL206 ASPFL206-101 ASPFL206-102 ASPFL206-103 ASPFL206-104	113 4 1/2	90.5 3 1/8	5.2 0.205	11 7/16	18 3/4	84 3 1/8	29 1.1417	8 0.315	71 2 11/16	M10 #8	5 000 1 100	2 500 550	AS206 AS206-101 AS206-102 AS206-103 AS206-104	
35 1 1/4 1 3/8 1 3/8 1 3/8	ASPFL207 ASPFL207-104 ASPFL207-105 ASPFL207-106 ASPFL207-107	122 4 1 1/8	100 3 1 1/8	5.2 0.205	11 7/16	20 3/4	94 3 11/16	34 1.3386	8.5 0.335	81 3 1/8	M10 #8	6 000 1 300	3 000 650	AS207 AS207-104 AS207-105 AS207-106 AS207-107	
40 1 1/2 1 1/8	ASPFL208 ASPFL208-108 ASPFL208-109	148 5 7/8	119 4 1 1/8	6.8 0.268	13.5 1 1/8	21 3/4	100 3 1 1/8	38 1.4961	9 0.354	91 3 5/8	M12 1 1/2	7 000 1 500	3 500 750	AS208 AS208-108 AS208-109	

Housing number	Mass of unit
	kg lb
PFL203	0.1
PFL203	0.2
PFL203	0.1
PFL203	0.2
PFL203	
PFL203	0.1
PFL203	0.2
PFL204	0.2
PFL204	0.4
PFL205	0.3
PFL205	
PFL205	0.7
PFL205	
PFL205	
PFL206	0.4
PFL206	
PFL206	0.9
PFL206	
PFL206	
PFL207	0.5
PFL207	
PFL207	1.1
PFL207	
PFL207	
PFL208	0.8
PFL208	1.4
PFL208	

Flanged units cast housing
Set screw type



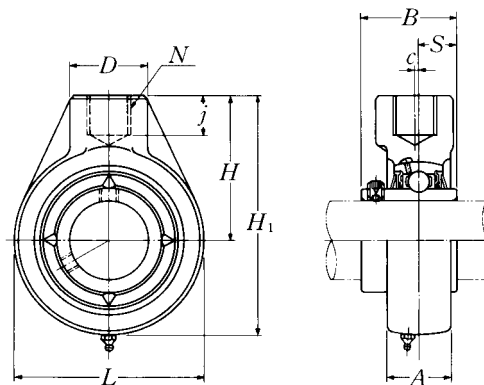
Shaft dia. mm inch	Unit number ¹⁾	Nominal dimensions										Bearing number
		mm					inch					
		L	H ₁	c	A	H	N	D	j	B	S	
12 1/2	UCHB201D1 UCHB201-008D1	64 2 1/2	96 3 3/4	0	21 1 1/4	64 2 5/8	RP#	40 1 1/2	19 #	31 1.2205	12.7 0.500	UC201D1 UC201-008D1
15 1/2 3/8	UCHB202D1 UCHB202-009D1 UCHB202-010D1	64 2 1/2	96 3 3/4	0	21 1 1/4	64 2 5/8	RP#	40 1 1/2	19 #	31 1.2205	12.7 0.500	UC202D1 UC202-009D1 UC202-010D1
17 1 1/8	UCHB203D1 UCHB203-011D1	64 2 1/2	96 3 3/4	0	21 1 1/4	64 2 5/8	RP#	40 1 1/2	19 #	31 1.2205	12.7 0.500	UC203D1 UC203-011D1
20 #	UCHB204D1 UCHB204-012D1	64 2 1/2	96 3 3/4	0	21 1 1/4	64 2 5/8	RP#	40 1 1/2	19 #	31 1.2205	12.7 0.500	UC204D1 UC204-012D1
25 1 1/8 3/8 1 1/8 1	UCHB205D1 UCHB205-013D1 UCHB205-014D1 UCHB205-015D1 UCHB205-100D1	78 3 1/4	103 4 1/4	0	24 1 1/4	64 2 5/8	RP#	40 1 1/2	19 #	34.1 1.3425	14.3 0.563	UC205D1 UC205-013D1 UC205-014D1 UC205-015D1 UC205-100D1
30 1 1/8 1 1/8 1 3/8 1 1/4	UCHB206D1 UCHB206-101D1 UCHB206-102D1 UCHB206-103D1 UCHB206-104D1	78 3 1/4	103 4 1/4	0	28 1 1/2	64 2 5/8	RP#	40 1 1/2	19 #	38.1 1.5000	15.9 0.626	UC206D1 UC206-101D1 UC206-102D1 UC206-103D1 UC206-104D1
35 1 1/4 1 3/8 1 3/8 1 3/8	UCHB207D1 UCHB207-104D1 UCHB207-105D1 UCHB207-106D1 UCHB207-107D1	92 3 3/8	116 4 1/2	0	30 1 1/4	70 2 3/4	RP#	40 1 1/2	19 #	42.9 1.6890	17.5 0.689	UC207D1 UC207-104D1 UC207-105D1 UC207-106D1 UC207-107D1
40 1 1/2 1 1/2	UCHB208D1 UCHB208-108D1 UCHB208-109D1	96 3 3/4	121 4 3/4	2 #	33 1 1/4	73 2 7/8	RP#	40 1 1/2	19 #	49.2 1.9370	19 0.748	UC208D1 UC208-108D1 UC208-109D1
45 1 3/8 1 1 1/8 1 3/4	UCHB209D1 UCHB209-110D1 UCHB209-111D1 UCHB209-112D1	108 4 1/4	136 5 1/2	5 #	35 1 3/8	82 3 1/4	RP1	48 1 7/8	21 1 1/8	49.2 1.9370	19 0.748	UC209D1 UC209-110D1 UC209-111D1 UC209-112D1

Remarks: 1) These numbers indicate relubricatable type. If maintenance free type is needed, please order without suffix "D1".
Note: Please refer to page 25 for size of grease fitting.

Housing number	Mass of unit
	kg lb
HB204D1	0.7
HB204D1	1.5
HB204D1	0.7
HB204D1	1.5
HB204D1	0.7
HB204D1	1.5
HB204D1	0.7
HB204D1	1.5
HB205D1	1.0
HB205D1	
HB205D1	2.2
HB205D1	
HB205D1	
HB206D1	1.0
HB206D1	
HB206D1	2.2
HB206D1	
HB206D1	
HB207D1	1.4
HB207D1	
HB207D1	3.1
HB207D1	
HB207D1	
HB208D1	1.5
HB208D1	3.3
HB208D1	
HB209D1	2.1
HB209D1	
HB209D1	4.6
HB209D1	

Nominal Designation of Thread	Nominal dimensions mm		
	Major Diameter of Internal Thread	Pitch Diameter	Minor Diameter of Internal Thread
Rp## (PS##)	26.441	25.279	24.117
Rp1(PS1)	33.249	31.770	30.291
Rp1!# (PS1!#)	41.910	40.431	38.952
Rp1!Z (PS1!Z)	47.803	46.324	44.845

Flanged units cast housing
Set screw type



Shaft dia.	Unit number ¹⁾	Nominal dimensions										Bearing number
		mm					inch					
		L	H ₁	c	A	H	N	D	j	B	S	
50	UCHB210D1	118	142	5	37	83	RP1	48	21	51.6	19	UC210D1
1 1/16	UCHB210-113D1											UC210-113D1
1 8/16	UCHB210-114D1	4 1/32	5 1/32	7/16	1 1/32	3 1/8	RP1	1 8/8	1 1/16	2.0315	0.748	UC210-114D1
1 1/16	UCHB210-115D1											UC210-115D1
2	UCHB210-200D1											UC210-200D1
55	UCHB211D1	126	158	7	38	95	RP1 1/4	60	25	55.6	22.2	UC211D1
2	UCHB211-200D1											UC211-200D1
2 1/16	UCHB211-201D1	4 1/32	6 3/32	3/32	1 1/2	3 5/8	RP1 1/4	2 3/8	1 1/32	2.1890	0.874	UC211-201D1
2 1/8	UCHB211-202D1											UC211-202D1
2 3/16	UCHB211-203D1											UC211-203D1
60	UCHB212D1	142	173	9	42	102	RP1 1/4	60	28	65.1	25.4	UC212D1
2 1/4	UCHB212-204D1											UC212-204D1
2 3/16	UCHB212-205D1	5 1/32	6 1/16	1 1/32	1 1/32	4 1/8	RP1 1/4	2 3/8	1 3/32	2.5630	1.000	UC212-205D1
2 3/8	UCHB212-206D1											UC212-206D1
2 7/16	UCHB212-207D1											UC212-207D1
65	UCHB213D1	166	200	9.5	44	117	RP1 1/2	70	32	65.1	25.4	UC213D1
2 1/2	UCHB213-208D1	6 1/8	7 8/8	7/8	1 1/32	4 7/8	RP1 1/2	2 3/4	1 1/4	2.5630	1.000	UC213-208D1

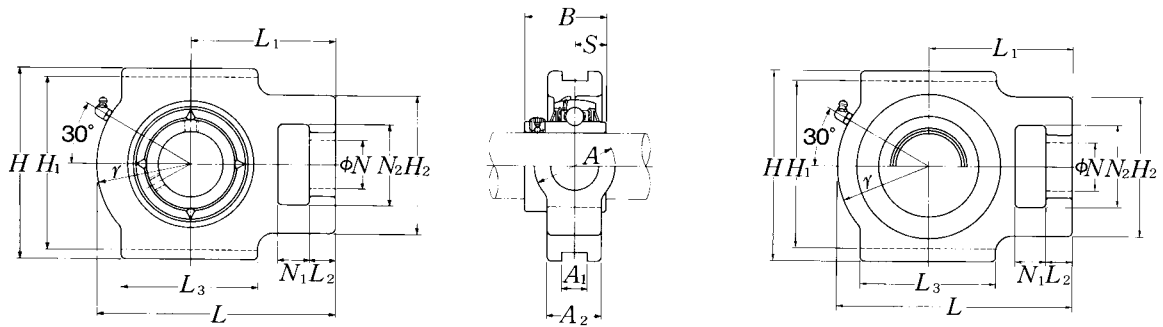
Remarks: 1) These numbers indicate relubricatable type. If maintenance free type is needed, please order without suffix "D1".

Note: Please refer to page 25 for size of grease fitting.

Housing number	Mass of unit
	kg lb
HB210D1	2.6
HB210D1	
HB210D1	5.7
HB210D1	
HB210D1	
HB211D1	2.9
HB211D1	
HB211D1	6.4
HB211D1	
HB211D1	
HB212D1	4.4
HB212D1	
HB212D1	9.7
HB212D1	
HB212D1	
HB213D1	6.6
HB213D1	15

Nominal Designation of Thread	Nominal dimensions mm		
	Major Diameter of Internal Thread	Pitch Diameter	Minor Diameter of Internal Thread
Rp## (PS##)	26.441	25.279	24.117
Rp1(PS1)	33.249	31.770	30.291
Rp1!# (PS1!#)	41.910	40.431	38.952
Rp1!Z (PS1!Z)	47.803	46.324	44.845

Take-up units cast housing
Set screw type



Pressed steel dust cover type

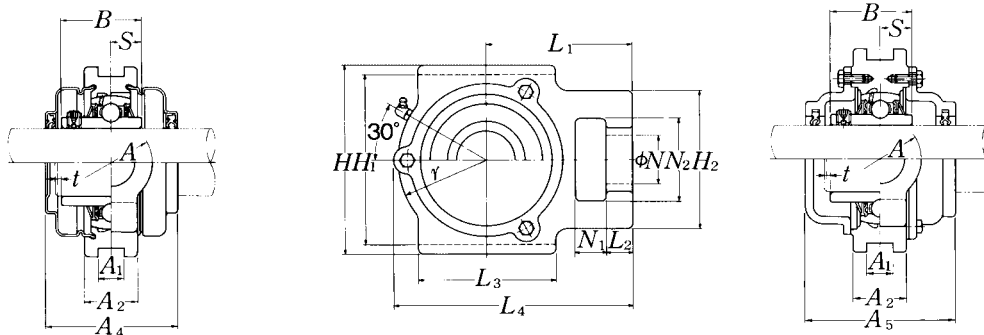
Open end: **S-UCT...D1**

Closed end: **SM-UCT...D1**

Shaft dia.	Unit number ¹⁾	Nominal dimensions															
		mm inch															
mm inch		N ₁	L ₂	H ₂	N ₂	N	L ₃	A ₁	H ₁	H	L	A ₂	A	r	L ₁	B	S
12 1/2	UCT201D1 UCT201-008D1	16 5/8	12 1/2	51 2	32 1 1/4	19 3/4	51 2	12 0.472	76 2 3/4	89 3 1/2	94 3 11/16	21 1 1/8	32 1 1/4	33 1 1/8	61 2 1 3/8	31 1.2205	12.7 0.500
15 1/2 5/8	UCT202D1 UCT202-009D1 UCT202-010D1	16 5/8	12 1/2	51 2	32 1 1/4	19 3/4	51 2	12 0.472	76 2 3/4	89 3 1/2	94 3 11/16	21 1 1/8	32 1 1/4	33 1 1/8	61 2 1 3/8	31 1.2205	12.7 0.500
17 1 1/8	UCT203D1 UCT203-011D1	16 5/8	12 1/2	51 2	32 1 1/4	19 3/4	51 2	12 0.472	76 2 3/4	89 3 1/2	94 3 11/16	21 1 1/8	32 1 1/4	33 1 1/8	61 2 1 3/8	31 1.2205	12.7 0.500
20 3/4	UCT204D1 UCT204-012D1	16 5/8	12 1/2	51 2	32 1 1/4	19 3/4	51 2	12 0.472	76 2 3/4	89 3 1/2	94 3 11/16	21 1 1/8	32 1 1/4	33 1 1/8	61 2 1 3/8	31 1.2205	12.7 0.500
25 1 1/8 3/4 1 1/8 1	UCT205D1 UCT205-013D1 UCT205-014D1 UCT205-015D1 UCT205-100D1	16 5/8	12 1/2	51 2	32 1 1/4	19 3/4	51 2	12 0.472	76 2 3/4	89 3 1/2	97 3 13/16	24 1 1/4	32 1 1/4	35 1 3/8	62 2 1/2	34.1 1.3425	14.3 0.563
30 1 1/8 1 1/8 1 3/8 1 1/4	UCT206D1 UCT206-101D1 UCT206-102D1 UCT206-103D1 UCT206-104D1	16 5/8	12 1/2	56 2 1/8	37 1 1/2	22 3/4	57 2 1/4	12 0.472	89 3 1/2	102 4 1/8	113 4 1/2	28 1 1/8	37 1 1/4	43 1 11/16	70 2 3/4	38.1 1.5000	15.9 0.626
35 1 1/4 1 1/8 1 3/8 1 1/2	UCT207D1 UCT207-104D1 UCT207-105D1 UCT207-106D1 UCT207-107D1	16 5/8	15 1 1/2	64 2 1/2	37 1 1/2	22 3/4	64 2 1 3/8	12 0.472	89 3 1/2	102 4 1/8	129 5 1/8	30 1 1/8	37 1 1/4	51 2	78 3 1/8	42.9 1.6890	17.5 0.689
40 1 1/2 1 1/8	UCT208D1 UCT208-108D1 UCT208-109D1	19 3/4	18 3/4	83 3 1/8	49 1 11/16	29 1 1/8	83 3 1/8	16 0.630	102 4 1/4	114 4 1/2	144 5 7/8	33 1 1/8	49 1 11/16	56 2 1/8	88 3 1 3/8	49.2 1.9370	19 0.748
45 1 3/8 1 11/16 1 3/4	UCT209D1 UCT209-110D1 UCT209-111D1 UCT209-112D1	19 3/4	18 3/4	83 3 1/8	49 1 11/16	29 1 1/8	83 3 1/8	16 0.630	102 4 1/4	117 4 1/2	145 5 5/8	35 1 3/8	49 1 11/16	57 2 1/4	88 3 1 3/8	49.2 1.9370	19 0.748

Remarks: 1) These numbers indicate relubricatable type. If maintenance free type is needed, please order without suffix "D1".

Note: Please refer to page 25 for size of grease fitting.



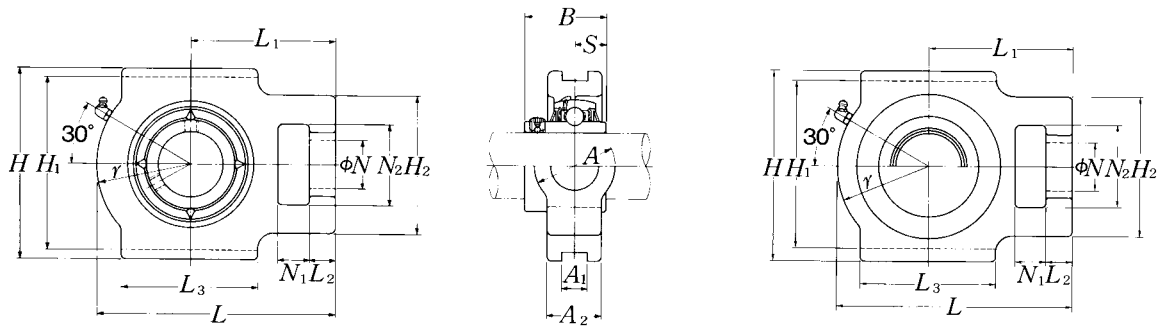
Cast dust cover type

Open end: **C-UCT...D1**

Closed end: **CM-UCT...D1**

Bearing number	Housing number	Unit number pressed steel dust cover type	Unit number cast dust cover type	Nominal dimensions				Mass of unit		
				mm		inch		kg		lb
				t max.	A ₄	L ₄	A ₅	UCT	S(SM)	C(CM)
UC201D1 UC201-008D1	T204D1 T204D1	S(SM)-UCT201D1 S(SM)-UCT201-008D1	C(CM)-UCT201D1 C(CM)-UCT201-008D1	2	51	97	62	0.8	0.8	1.3
				3/64	2	3 1/16	2 5/8	1.8	1.8	2.9
UC202D1 UC202-009D1 UC202-010D1	T204D1 T204D1 T204D1	S(SM)-UCT202D1 S(SM)-UCT202-009D1 S(SM)-UCT202-010D1	C(CM)-UCT202D1 C(CM)-UCT202-009D1 C(CM)-UCT202-010D1	2	51	97	62	0.8	0.8	1.3
				3/64	2	3 1/16	2 5/8	1.8	1.8	2.9
UC203D1 UC203-011D1	T204D1 T204D1	S(SM)-UCT203D1 S(SM)-UCT203-011D1	C(CM)-UCT203D1 C(CM)-UCT203-011D1	2	51	97	62	0.8	0.8	1.3
				3/64	2	3 1/16	2 5/8	1.8	1.8	2.9
UC204D1 UC204-012D1	T204D1 T204D1	S(SM)-UCT204D1 S(SM)-UCT204-012D1	C(CM)-UCT204D1 C(CM)-UCT204-012D1	2	51	97	62	0.8	0.8	1.3
				3/64	2	3 1/16	2 5/8	1.8	1.8	2.9
UC205D1 UC205-013D1 UC205-014D1 UC205-015D1 UC205-100D1	T205D1 T205D1 T205D1 T205D1 T205D1	S(SM)-UCT205D1 S(SM)-UCT205-013D1 S(SM)-UCT205-014D1 S(SM)-UCT205-015D1 S(SM)-UCT205-100D1	C(CM)-UCT205D1 C(CM)-UCT205-013D1 C(CM)-UCT205-014D1 C(CM)-UCT205-015D1 C(CM)-UCT205-100D1	2	57	100.5	70	0.9	0.9	1.6
				3/64	2 1/4	3 1/32	2 7/8	2.0	2.0	3.5
UC206D1 UC206-101D1 UC206-102D1 UC206-103D1 UC206-104D1	T206D1 T206D1 T206D1 T206D1 T206D1	S(SM)-UCT206D1 S(SM)-UCT206-101D1 S(SM)-UCT206-102D1 S(SM)-UCT206-103D1 -	C(CM)-UCT206D1 C(CM)-UCT206-101D1 C(CM)-UCT206-102D1 C(CM)-UCT206-103D1 -	2	62	113.5	75	1.3	1.4	1.9
				3/64	2 5/8	4 1/32	2 1/8	2.9	3.1	4.2
UC207D1 UC207-104D1 UC207-105D1 UC207-106D1 UC207-107D1	T207D1 T207D1 T207D1 T207D1 T207D1	S(SM)-UCT207D1 S(SM)-UCT207-104D1 S(SM)-UCT207-105D1 S(SM)-UCT207-106D1 -	C(CM)-UCT207D1 C(CM)-UCT207-104D1 C(CM)-UCT207-105D1 C(CM)-UCT207-106D1 -	3	72	129	80	1.7	1.7	2.7
				1/8	2 7/32	5 1/32	3 3/32	3.7	3.7	6.0
UC208D1 UC208-108D1 UC208-109D1	T208D1 T208D1 T208D1	S(SM)-UCT208D1 S(SM)-UCT208-108D1 S(SM)-UCT208-109D1	C(CM)-UCT208D1 C(CM)-UCT208-108D1 C(CM)-UCT208-109D1	3	82	144	90	2.3	2.3	3.7
				1/8	3 3/32	5 1/32	3 1/8	5.1	5.1	8.2
UC209D1 UC209-110D1 UC209-111D1 UC209-112D1	T209D1 T209D1 T209D1 T209D1	S(SM)-UCT209D1 S(SM)-UCT209-110D1 S(SM)-UCT209-111D1 S(SM)-UCT209-112D1	C(CM)-UCT209D1 C(CM)-UCT209-110D1 C(CM)-UCT209-111D1 C(CM)-UCT209-112D1	3	82	145.5	95	2.4	2.5	4.1
				1/8	3 3/32	5 1/32	3 7/8	5.3	5.5	9.0

Take-up units cast housing
Set screw type



Pressed steel dust cover type

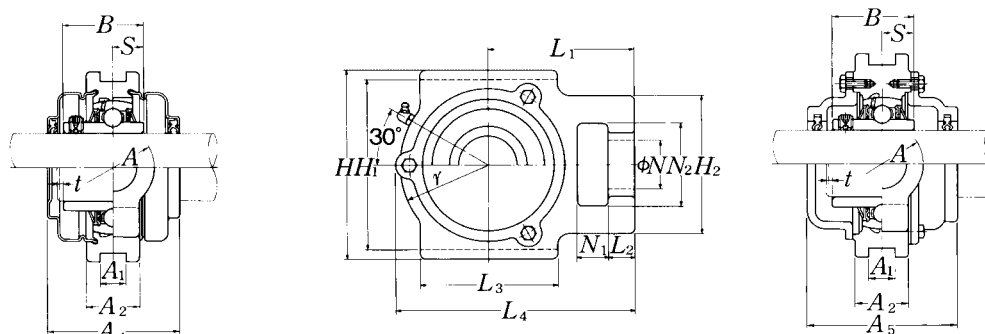
Open end: **S-UCT...D1**

Closed end: **SM-UCT...D1**

Shaft dia.	Unit number ¹⁾	Nominal dimensions															
		mm								inch							
mm inch		N ₁	L ₂	H ₂	N ₂	N	L ₃	A ₁	H ₁	H	L	A ₂	A	r	L ₁	B	S
50	UCT210D1	19	18	83	49	29	86	16	102	117	151	37	49	59	92	51.6	19
1 1/8	UCT210-113D1																
1 1/8	UCT210-114D1	#4	3/32	3/32	1 1/16	1 1/32	3/8	0.630	4 1/64	4 1/32	5 1/16	1 1/32	1 1/16	2 1/16	3/8	2.0315	0.748
1 1/8	UCT210-115D1																
2	UCT210-200D1																
55	UCT211D1	25	21	102	64	35	95	22	130	146	171	38	64	65	106	55.6	22.2
2	UCT211-200D1																
2 1/8	UCT211-201D1	#1/32	1 1/16	4 1/32	2 1/32	1 5/8	3 3/4	0.866	5 1/8	5 3/4	6 5/32	1 1/2	2 1/32	2 1/16	4 1/16	2.1890	0.874
2 1/8	UCT211-202D1																
2 3/16	UCT211-203D1																
60	UCT212D1	32	21	102	64	35	102	22	130	146	194	42	64	75	119	65.1	25.4
2 1/4	UCT212-204D1																
2 3/16	UCT212-205D1	1 1/4	1 1/16	4 1/32	2 1/32	1 5/8	4 1/32	0.866	5 1/8	5 3/4	7 3/8	1 1/32	2 1/32	2 1/16	4 1/16	2.5630	1.000
2 3/8	UCT212-206D1																
2 3/16	UCT212-207D1																
65	UCT213D1	32	23	111	70	41	121	26	151	167	224	44	70	87	137	65.1	25.4
2 1/2	UCT213-208D1																
2 1/16	UCT213-209D1	1 1/4	3/32	4 3/8	2 3/4	1 5/8	4 3/4	1.024	5 1/16	6 1/16	8 1/16	1 1/32	2 3/4	3 3/16	5 1/32	2.5630	1.000
70	UCT214D1	32	23	111	70	41	121	26	151	167	224	46	70	87	137	74.6	30.2
2 3/8	UCT214-210D1																
2 1 1/16	UCT214-211D1	1 1/4	3/32	4 3/8	2 3/4	1 5/8	4 3/4	1.024	5 1/16	6 1/16	8 1/16	1 1/16	2 3/4	3 3/16	5 1/32	2.9370	1.189
2 3/4	UCT214-212D1																
75	UCT215D1	32	23	111	70	41	121	26	151	167	232	48	70	92	140	77.8	33.3
2 1 1/16	UCT215-213D1																
2 3/8	UCT215-214D1	1 1/4	3/32	4 3/8	2 3/4	1 5/8	4 3/4	1.024	5 1/16	6 1/16	9 1/8	1 3/8	2 3/4	3 3/8	5 1/2	3.0630	1.311
2 1 1/16	UCT215-215D1																
3	UCT215-300D1																
80	UCT216D1	32	23	111	70	41	121	26	165	184	235	51	70	95	140	82.6	33.3
3 1/16	UCT216-301D1																
3 1/8	UCT216-302D1	1 1/4	3/32	4 3/8	2 3/4	1 5/8	4 3/4	1.024	6 1/2	7 1/4	9 1/4	2	2 3/4	3 3/4	5 1/2	3.2520	1.311
3 3/16	UCT216-303D1																

Remarks: 1) These numbers indicate relubricatable type. If maintenance free type is needed, please order without suffix "D1".

Note: Please refer to page 25 for size of grease fitting.



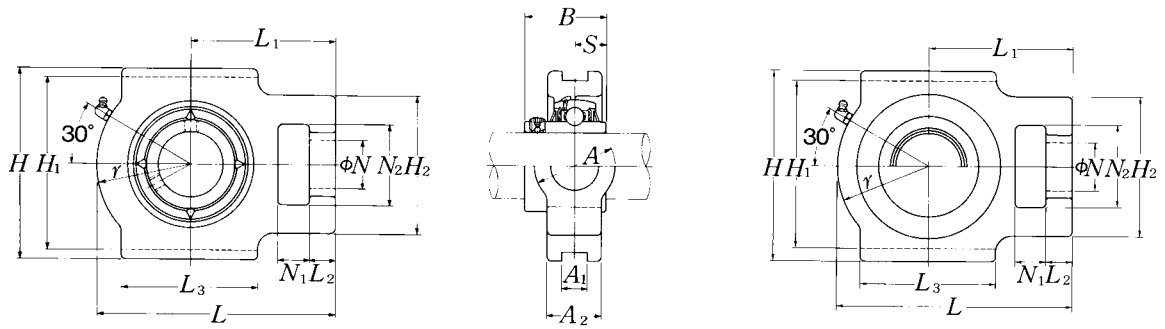
Cast dust cover type

Open end: **C-UCT...D1**

Closed end: **CM-UCT...D1**

Bearing number	Housing number	Unit number pressed steel dust cover type	Unit number cast dust cover type	Nominal dimensions				Mass of unit		
				mm		inch		kg		lb
				t max.	A ₄	L ₄	A ₅	UCT	S(SM)	C(CM)
UC210D1	T210D1	S(SM)-UCT210D1	C(CM)-UCT210D1	3	87	152	100	2.5	2.6	4.5
UC210-113D1	T210D1	S(SM)-UCT210-113D1	C(CM)-UCT210-113D1	1/8	3 3/16	5 1/32	3 1/16	5.5	5.7	9.9
UC210-114D1	T210D1	S(SM)-UCT210-114D1	C(CM)-UCT210-114D1							
UC210-115D1	T210D1	S(SM)-UCT210-115D1	C(CM)-UCT210-115D1							
UC210-200D1	T210D1	-	-							
UC211D1	T211D1	S(SM)-UCT211D1	C(CM)-UCT211D1	4	92	171.5	100	3.8	3.9	7.2
UC211-200D1	T211D1	S(SM)-UCT211-200D1	C(CM)-UCT211-200D1	3/32	3 3/8	6 3/4	3 1/16	8.4	8.6	16
UC211-201D1	T211D1	S(SM)-UCT211-201D1	C(CM)-UCT211-201D1							
UC211-202D1	T211D1	S(SM)-UCT211-202D1	C(CM)-UCT211-202D1							
UC211-203D1	T211D1	S(SM)-UCT211-203D1	C(CM)-UCT211-203D1							
UC212D1	T212D1	S(SM)-UCT212D1	C(CM)-UCT212D1	4	102	194	115	4.7	4.9	7.5
UC212-204D1	T212D1	S(SM)-UCT212-204D1	C(CM)-UCT212-204D1	3/32	4 1/32	7 3/8	4 1/32	10	11	17
UC212-205D1	T212D1	S(SM)-UCT212-205D1	C(CM)-UCT212-205D1							
UC212-206D1	T212D1	S(SM)-UCT212-206D1	C(CM)-UCT212-206D1							
UC212-207D1	T212D1	-	-							
UC213D1	T213D1	S(SM)-UCT213D1	C(CM)-UCT213D1	4	107	224	120	7.0	7.2	11
UC213-208D1	T213D1	S(SM)-UCT213-208D1	C(CM)-UCT213-208D1	3/32	4 3/32	8 1/16	4 3/32	15	16	24
UC213-209D1	T213D1	S(SM)-UCT213-209D1	C(CM)-UCT213-209D1							
UC214D1	T214D1	-	C(CM)-UCT214D1	4	-	224	135	7.3	-	11
UC214-210D1	T214D1	-	C(CM)-UCT214-210D1	3/32	-	8 1/16	5 1/16	16	-	24
UC214-211D1	T214D1	-	C(CM)-UCT214-211D1							
UC214-212D1	T214D1	-	C(CM)-UCT214-212D1							
UC215D1	T215D1	-	C(CM)-UCT215D1	4	-	232	135	7.7	-	11
UC215-213D1	T215D1	-	C(CM)-UCT215-213D1	3/32	-	9 1/8	5 1/16	17	-	24
UC215-214D1	T215D1	-	C(CM)-UCT215-214D1							
UC215-215D1	T215D1	-	C(CM)-UCT215-215D1							
UC215-300D1	T215D1	-	C(CM)-UCT215-300D1							
UC216D1	T216D1	-	C(CM)-UCT216D1	4	-	235	145	8.4	-	13
UC216-301D1	T216D1	-	C(CM)-UCT216-301D1	3/32	-	9 1/4	5 3/32	19	-	29
UC216-302D1	T216D1	-	C(CM)-UCT216-302D1							
UC216-303D1	T216D1	-	C(CM)-UCT216-303D1							

Take-up units cast housing
Set screw type



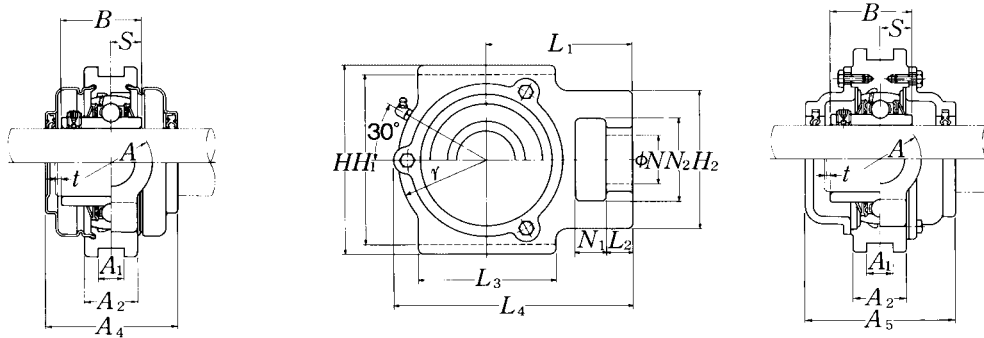
Pressed steel dust cover type

Open end: **S-UCT...D1**

Closed end: **SM-UCT...D1**

Shaft dia.	Unit number ¹⁾	Nominal dimensions															
		mm								inch							
mm inch		N_1	L_2	H_2	N_2	N	L_3	A_1	H_1	H	L	A_2	A	r	L_1	B	S
85	UCT217D1	38	31	124	73	48	157	30	173	198	260	54	73	98	162	85.7	34.1
3 1/4	UCT217-304D1																
3 3/16	UCT217-305D1	1 1/2	1 3/32	4 8/8	2 8/8	1 8/8	6 1/16	1.181	6 1/16	7 7/32	10 1/4	2 1/8	2 8/8	3 11/32	6 5/8	3.3740	1.343
3 7/16	UCT217-307D1																

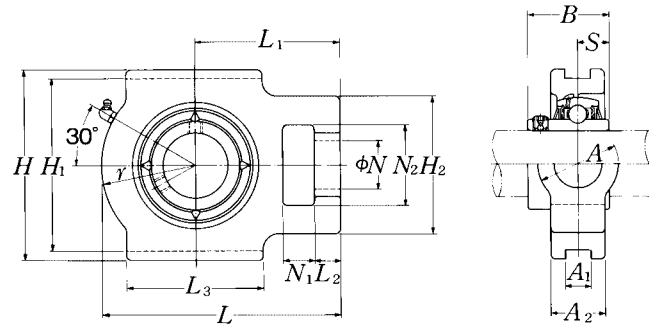
Remarks: 1) These numbers indicate relubricatable type. If maintenance free type is needed, please order without suffix "D1".
Note: Please refer to page 25 for size of grease fitting.



Cast dust cover type
 Open end: **C-UCT...D1**
 Closed end: **CM-UCT...D1**

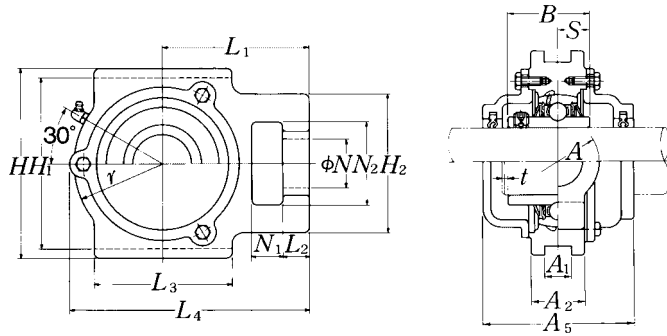
Bearing number	Housing number	Unit number pressed steel dust cover type	Unit number cast dust cover type	Nominal dimensions				Mass of unit		
				mm		inch		kg		lb
				t max.	A ₄	L ₄	A ₅	UCT	S(SM)	C(CM)
UC217D1	T217D1	-	C(CM)-UCT217D1	5	-	260	155	11	-	16
UC217-304D1	T217D1	-	C(CM)-UCT217-304D1							
UC217-305D1	T217D1	-	C(CM)-UCT217-305D1	10	4	10	6	24	-	35
UC217-307D1	T217D1	-	C(CM)-UCT217-307D1							

Take-up units cast housing
Set screw type



Shaft dia.	Unit number ¹⁾	Nominal dimensions															
		mm								inch							
mm inch		N ₁	L ₂	H ₂	N ₂	N	L ₃	A ₁	H ₁	H	L	A ₂	A	r	L ₁	B	S
25 1#7/6 &8 1#7/6 1	UCT305D1	16	14	62	36	26	65	12	80	89	122	26	36	46	76	38	15
	UCT305-013D1																
	UCT305-014D1	3/8	1/2	2 1/2	1 1/2	1 1/2	2 1/2	0.472	3 1/2	3 1/2	4 1/2	1 1/2	1 1/2	1 1/2	3	1.4961	0.591
	UCT305-015D1																
30 1 1/2 1 1/8 1#7/6	UCT306D1	18	16	70	41	28	74	16	90	100	137	28	41	52	85	43	17
	UCT306-101D1																
	UCT306-102D1	1/2	3/8	2 3/4	1 3/8	1 3/2	2 1/2	0.630	3 3/4	3 1/2	5 1/2	1 3/2	1 3/8	2 1/2	3 1/2	1.6929	0.669
	UCT306-103D1																
35 1 1/4 1 1/2 1#8 1#7/6	UCT307D1	20	17	75	45	30	80	16	100	111	150	32	45	56	94	48	19
	UCT307-104D1																
	UCT307-105D1	1/2	1/2	2 1/2	1 1/2	1 1/2	3 1/2	0.630	3 1/2	4 3/8	5 1/2	1 1/4	1 1/2	2 3/2	3 1/2	1.8898	0.748
	UCT307-106D1 UCT307-107D1																
40 1 1/2 1 1/2	UCT308D1	22	19	83	50	32	89	18	112	124	162	34	50	62	100	52	19
	UCT308-108D1																
	UCT308-109D1	3/8	3/4	3 1/2	1 1/2	1 1/4	3 1/2	0.709	4 1/2	4 3/8	6 3/8	1 1/2	1 1/2	2 1/2	3 1/2	2.0472	0.748
45 1 3/8 1 1/2 1#4	UCT309D1	24	20	90	55	34	97	18	125	138	178	38	55	68	110	57	22
	UCT309-110D1																
	UCT309-111D1	1 1/2	1 1/2	3 1/2	2 1/2	1 1/2	3 1/2	0.709	4 1/4	5 1/2	7	1 1/2	2 1/2	2 1/2	4 1/2	2.2441	0.866
	UCT309-112D1																
50 1 1/2 1 3/8 1 1/2	UCT310D1	27	22	98	61	37	106	20	140	151	192	40	61	74	118	61	22
	UCT310-113D1																
	UCT310-114D1 UCT310-115D1	1 1/2	3/8	3 1/2	2 1/2	1 1/2	4 1/2	0.787	5 3/4	5 1/2	7 1/2	1 1/2	2 1/2	2 1/2	4 1/2	2.4016	0.866
55 2 2 1/2 2 1/8 2#7/6	UCT311D1	29	23	105	66	39	115	22	150	163	207	44	66	80	127	66	25
	UCT311-200D1																
	UCT311-201D1	1 1/2	1 1/2	4 1/8	2 1/2	1 1/2	4 1/2	0.866	5 1/2	6 1/2	8 1/2	1 1/2	2 1/2	3 1/2	5	2.5984	0.984
	UCT311-202D1 UCT311-203D1																

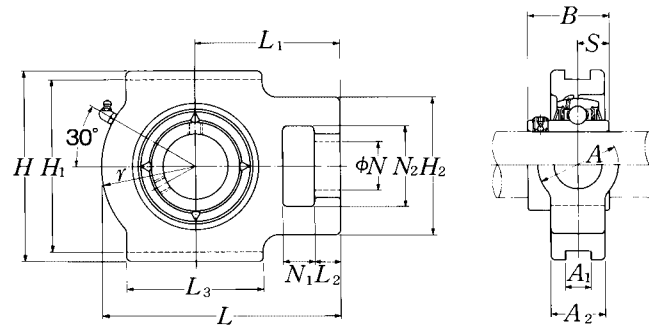
Remarks: 1) These numbers indicate relubricatable type. If maintenance free type is needed, please order without suffix "D1".
Note: Please refer to page 25 for size of grease fitting.



Cast dust cover type
 Open end: **C-UCT...D1**
 Closed end: **CM-UCT...D1**

Bearing number	Housing number	Unit number cast dust cover type	Nominal dimensions			Mass of unit	
			mm	inch		kg	lb
			t max.	L ₄	A ₅	UCT	C(CM)
UC305D1	T305D1	C(CM)-UCT305D1	2	122	80	1.4	2.2
UC305-013D1	T305D1	C(CM)-UCT305-013D1					
UC305-014D1	T305D1	C(CM)-UCT305-014D1	$\frac{3}{64}$	$4\frac{1}{16}$	$3\frac{3}{32}$	3.1	4.9
UC305-015D1	T305D1	C(CM)-UCT305-015D1					
UC305-100D1	T305D1	C(CM)-UCT305-100D1					
UC306D1	T306D1	C(CM)-UCT306D1	2	139	85	1.8	2.9
UC306-101D1	T306D1	C(CM)-UCT306-101D1					
UC306-102D1	T306D1	C(CM)-UCT306-102D1	$\frac{3}{64}$	$5\frac{1}{32}$	$3\frac{1}{32}$	4.0	6.4
UC306-103D1	T306D1	C(CM)-UCT306-103D1					
UC307D1	T307D1	C(CM)-UCT307D1	3	152	95	2.4	3.7
UC307-104D1	T307D1	C(CM)-UCT307-104D1					
UC307-105D1	T307D1	C(CM)-UCT307-105D1					
UC307-106D1	T307D1	C(CM)-UCT307-106D1	$\frac{1}{8}$	$5\frac{1}{32}$	$3\frac{3}{4}$	5.3	8.2
UC307-107D1	T307D1	C(CM)-UCT307-107D1					
UC308D1	T308D1	C(CM)-UCT308D1	3	164	105	3.0	4.7
UC308-108D1	T308D1	C(CM)-UCT308-108D1					
UC308-109D1	T308D1	C(CM)-UCT308-109D1	$\frac{1}{8}$	$6\frac{1}{32}$	$4\frac{1}{8}$	6.6	10
UC309D1	T309D1	C(CM)-UCT309D1	3	181	110	4.0	6.2
UC309-110D1	T309D1	C(CM)-UCT309-110D1					
UC309-111D1	T309D1	C(CM)-UCT309-111D1	$\frac{1}{8}$	$7\frac{1}{8}$	$4\frac{1}{32}$	8.8	14
UC309-112D1	T309D1	C(CM)-UCT309-112D1					
UC310D1	T310D1	C(CM)-UCT310D1	3	197	120	5.0	7.7
UC310-113D1	T310D1	C(CM)-UCT310-113D1					
UC310-114D1	T310D1	C(CM)-UCT310-114D1	$\frac{1}{8}$	$7\frac{3}{4}$	$4\frac{6}{32}$	11	17
UC310-115D1	T310D1	C(CM)-UCT310-115D1					
UC311D1	T311D1	C(CM)-UCT311D1	4	211	125	6.4	9.5
UC311-200D1	T311D1	C(CM)-UCT311-200D1					
UC311-201D1	T311D1	C(CM)-UCT311-201D1					
UC311-202D1	T311D1	C(CM)-UCT311-202D1	$\frac{3}{32}$	$8\frac{1}{16}$	$4\frac{6}{32}$	14	21
UC311-203D1	T311D1	C(CM)-UCT311-203D1					

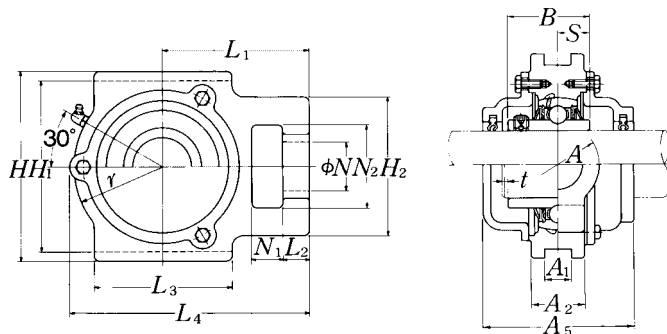
Take-up units cast housing
Set screw type



Shaft dia. mm inch	Unit number ¹⁾	Nominal dimensions															
		mm								inch							
		N ₁	L ₂	H ₂	N ₂	N	L ₃	A ₁	H ₁	H	L	A ₂	A	r	L ₁	B	S
60 2 1/4 2 3/8 2 7/8 2 7/8	UCT312D1 UCT312-204D1 UCT312-205D1 UCT312-206D1 UCT312-207D1	31	25	113	71	41	123	22	160	178	220	46	71	85	135	71	26
		1 1/8	1 1/8	4 5/16	2 7/8	1 5/8	4 7/8	0.866	6 1/4	7	8 1/2	1 7/8	2 7/8	3 1/2	5 1/8	2.7953	1.024
65 2 1/2 2 3/8	UCT313D1 UCT313-208D1 UCT313-209D1	32	27	116	70	43	134	26	170	190	238	50	80	92	146	75	30
		1 1/4	1 1/8	4 1/8	2 7/8	1 7/8	5 1/8	1.024	6 1/2	7 1/2	9 3/8	1 7/8	3 1/8	3 5/8	5 7/8	2.9528	1.181
70 2 3/8 2 1 1/8 2 3/4	UCT314D1 UCT314-210D1 UCT314-211D1 UCT314-212D1	36	27	130	85	46	140	26	180	202	252	52	90	97	155	78	33
		1 1/2	1 1/8	5 1/8	3 1/2	1 7/8	5 1/2	1.024	7 1/4	7 7/8	9 7/8	2 1/4	3 1/2	3 7/8	6 1/4	3.0709	1.299
75 2 1 3/8 2 3/8 2 1 3/8 3	UCT315D1 UCT315-213D1 UCT315-214D1 UCT315-215D1 UCT315-300D1	36	27	132	85	46	150	26	192	216	262	55	90	102	160	82	32
		1 1/2	1 1/8	5 1/8	3 1/2	1 7/8	5 3/8	1.024	7 1/2	8 1/2	10 1/8	2 1/4	3 1/2	4 1/4	6 1/4	3.2283	1.260
80 3 1/8 3 1/8 3 7/8	UCT316D1 UCT316-301D1 UCT316-302D1 UCT316-303D1	42	30	150	98	53	160	30	204	230	282	60	102	108	174	86	34
		1 1/2	1 1/8	5 3/8	3 7/8	2 1/4	6 1/8	1.181	8 1/4	9 1/8	11 1/4	2 3/8	4 1/4	4 1/4	6 3/4	3.3858	1.339
85 3 1/4 3 3/8 3 7/8	UCT317D1 UCT317-304D1 UCT317-305D1 UCT317-307D1	42	32	152	98	53	170	32	214	240	298	64	102	115	183	96	40
		1 1/2	1 1/4	5 7/8	3 7/8	2 1/4	6 1/4	1.260	8 3/4	9 3/8	11 7/8	2 1/2	4 1/4	4 3/4	7 1/4	3.7795	1.575
90 3 3/8 3 1/2	UCT318D1 UCT318-307D1 UCT318-308D1	46	32	160	106	57	175	32	228	255	312	66	110	120	192	96	40
		1 7/8	1 1/4	6 1/8	4 1/8	2 1/4	6 3/8	1.260	8 1/2	10 1/4	12 1/4	2 1/2	4 1/2	4 3/4	7 1/2	3.7795	1.575

Remarks: 1) These numbers indicate relubricatable type. If maintenance free type is needed, please order without suffix "D1".

Note: Please refer to page 25 for size of grease fitting.



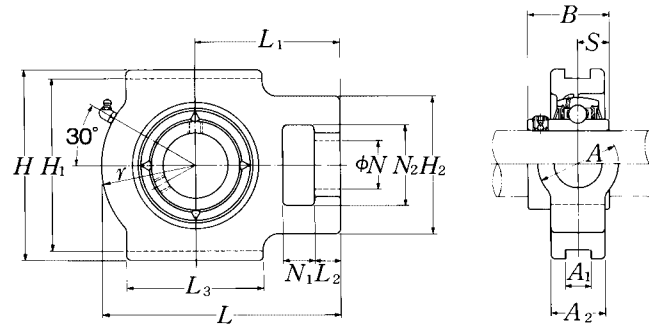
Cast dust cover type

Open end: **C-UCT...D1**

Closed end: **CM-UCT...D1**

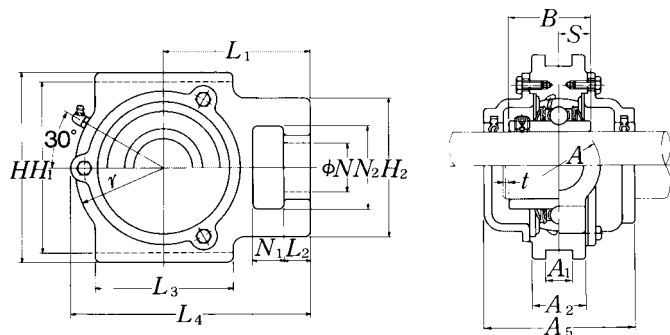
Bearing number	Housing number	Unit number cast dust cover type	Nominal dimensions			Mass of unit	
			mm	inch		kg	lb
			t max.	L ₄	A ₅	UCT	C(CM)
UC312D1	T312D1	C(CM)-UCT312D1	4	227	135	7.6	11
UC312-204D1	T312D1	C(CM)-UCT312-204D1					
UC312-205D1	T312D1	C(CM)-UCT312-205D1	$\frac{3}{32}$	$8\frac{1}{16}$	$5\frac{5}{16}$	17	24
UC312-206D1	T312D1	C(CM)-UCT312-206D1					
UC312-207D1	T312D1	C(CM)-UCT312-207D1					
UC313D1	T313D1	C(CM)-UCT313D1	4	244	140	9.7	14
UC313-208D1	T313D1	C(CM)-UCT313-208D1	$\frac{3}{32}$	$9\frac{1}{32}$	$5\frac{1}{2}$	21	31
UC313-209D1	T313D1	C(CM)-UCT313-209D1					
UC314D1	T314D1	C(CM)-UCT314D1	4	258	140	11	15
UC314-210D1	T314D1	C(CM)-UCT314-210D1					
UC314-211D1	T314D1	C(CM)-UCT314-211D1	$\frac{3}{32}$	$10\frac{3}{32}$	$5\frac{1}{2}$	24	33
UC314-212D1	T314D1	C(CM)-UCT314-212D1					
UC315D1	T315D1	C(CM)-UCT315D1	4	268	150	14	19
UC315-213D1	T315D1	C(CM)-UCT315-213D1					
UC315-214D1	T315D1	C(CM)-UCT315-214D1	$\frac{3}{32}$	$10\frac{1}{16}$	$5\frac{3}{32}$	31	42
UC315-215D1	T315D1	C(CM)-UCT315-215D1					
UC315-300D1	T315D1	C(CM)-UCT315-300D1					
UC316D1	T316D1	C(CM)-UCT316D1	4	287	155	16	23
UC316-301D1	T316D1	C(CM)-UCT316-301D1					
UC316-302D1	T316D1	C(CM)-UCT316-302D1	$\frac{3}{32}$	$11\frac{1}{16}$	$6\frac{3}{32}$	35	51
UC316-303D1	T316D1	C(CM)-UCT316-303D1					
UC317D1	T317D1	C(CM)-UCT317D1	5	303	170	20	27
UC317-304D1	T317D1	C(CM)-UCT317-304D1					
UC317-305D1	T317D1	C(CM)-UCT317-305D1	$\frac{1}{16}$	$11\frac{1}{16}$	$6\frac{1}{16}$	44	60
UC317-307D1	T317D1	C(CM)-UCT317-307D1					
UC318D1	T318D1	C(CM)-UCT318D1	5	317	170	22	30
UC318-307D1	T318D1	C(CM)-UCT318-307D1	$\frac{1}{16}$	$12\frac{1}{32}$	$6\frac{1}{16}$	49	66
UC318-308D1	T318D1	C(CM)-UCT318-308D1					

Take-up units cast housing
Set screw type



Shaft dia.	Unit number ¹⁾	Nominal dimensions															
		mm								inch							
mm inch		N_1	L_2	H_2	N_2	N	L_3	A_1	H_1	H	L	A_2	A	r	L_1	B	S
95	UCT319D1	46	33	165	106	57	180	35	240	270	322	72	110	125	197	103	41
3^{3/8}	UCT319-310D1																
3^{11/16}	UCT319-311D1	1 ^{11/16}	1 ^{1/16}	6 ^{1/2}	4 ^{7/16}	2 ^{1/4}	7 ^{3/32}	1.378	9 ^{5/64}	10 ^{3/8}	12 ^{11/16}	2 ^{5/32}	4 ^{11/32}	4 ^{5/32}	7 ^{7/8}	4.0551	1.614
3^{3/4}	UCT319-312D1																
100	UCT320D1	48	34	175	115	59	200	35	260	290	345	75	120	135	210	108	42
3^{11/16}	UCT320-313D1																
3^{3/8}	UCT320-314D1	1 ^{3/8}	1 ^{11/32}	6 ^{3/8}	4 ^{11/32}	2 ^{3/16}	7 ^{3/8}	1.378	10 ^{1/64}	11 ^{1/32}	13 ^{1/32}	2 ^{1/16}	4 ^{5/32}	5 ^{1/16}	8 ^{3/32}	4.2520	1.654
3^{1/16}	UCT320-315D1																
4	UCT320-400D1																
105	UCT321D1	48	34	175	115	59	200	35	260	290	347	75	120	135	212	112	44
110	UCT322D1	52	40	185	125	65	215	38	285	320	385	80	130	150	235	117	46
120	UCT324D1	60	44	210	140	70	230	45	320	355	432	90	140	165	267	126	51
130	UCT326D1	65	47	220	150	75	240	50	350	385	465	100	150	180	285	135	54
140	UCT328D1	70	52	230	160	80	255	50	380	415	515	100	155	200	315	145	59

Remarks: 1) These numbers indicate relubricatable type. If maintenance free type is needed, please order without suffix "D1".
Note: Please refer to page 25 for size of grease fitting.



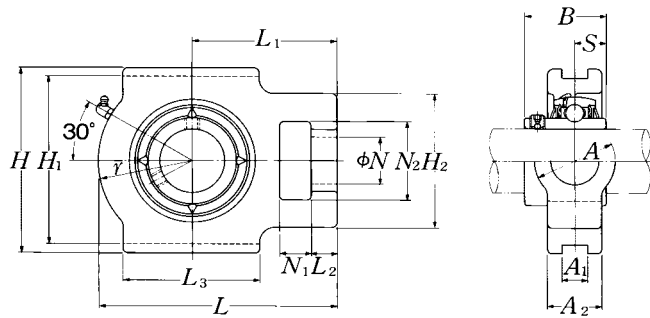
Cast dust cover type

Open end: **C-UCT...D1**

Closed end: **CM-UCT...D1**

Bearing number	Housing number	Unit number cast dust cover type	Nominal dimensions			Mass of unit	
			mm	inch		kg	lb
			t max.	L4	A5	UCT	C(CM)
UC319D1	T319D1	C(CM)-UCT319D1	5	327	180	25	34
UC319-310D1	T319D1	C(CM)-UCT319-310D1					
UC319-311D1	T319D1	C(CM)-UCT319-311D1	!#64	1288	7#32	55	75
UC319-312D1	T319D1	C(CM)-UCT319-312D1					
UC320D1	T320D1	C(CM)-UCT320D1	5	350	190	32	43
UC320-313D1	T320D1	C(CM)-UCT320-313D1					
UC320-314D1	T320D1	C(CM)-UCT320-314D1	!#64	13@%32	7!%32	71	95
UC320-315D1	T320D1	C(CM)-UCT320-315D1					
UC320-400D1	T320D1	C(CM)-UCT320-400D1					
UC321D1D1	T321D1	C(CM)-UCT321D1	5	359	195	32	43
UC322D1D1	T322D1	C(CM)-UCT322D1	5	395	200	40	55
UC324D1D1	T324D1	C(CM)-UCT324D1	5	439	215	55	71
UC326D1D1	T326D1	C(CM)-UCT326D1	6	476	225	69	92
UC328D1D1	T328D1	C(CM)-UCT328D1	6	519	235	84	111

Take-up units cast housing Set screw type



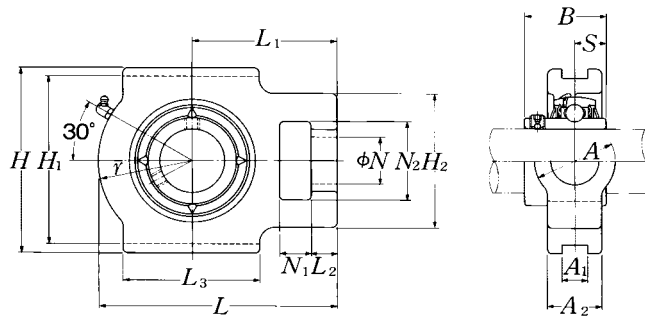
Shaft dia. mm inch	Unit number ¹⁾	Nominal dimensions															
		mm														inch	
		N_1	L_2	H_2	N_2	N	L_3	A_1	H_1	H	L	A_2	A	r	L_1	B	S
25 1# ¹ / ₈ #8 1# ¹ / ₈ 1	UCTX05D1 UCTX05-013D1 UCTX05-014D1 UCTX05-015D1 UCTX05-100D1	16	12	56	37	22	57	12	89	102	113	28	37	43	70	38.1	15.9
		#8	1# ¹ / ₈	2# ¹ / ₈	1# ¹ / ₈	#8	2# ¹ / ₄	0.472	3# ¹ / ₂	4# ¹ / ₂	4# ¹ / ₆	1# ¹ / ₂	1# ¹ / ₂	1# ¹ / ₆	2# ¹ / ₄	1.5000	0.626
30 1# ¹ / ₈ 1# ¹ / ₈ 1# ¹ / ₈ 1# ¹ / ₄	UCTX06D1 UCTX06-101D1 UCTX06-102D1 UCTX06-103D1 UCTX06-104D1	16	15	64	37	22	64	12	89	102	129	30	37	51	78	42.9	17.5
		#8	1# ¹ / ₈	2# ¹ / ₈	1# ¹ / ₈	#8	2# ¹ / ₈	0.472	3# ¹ / ₂	4# ¹ / ₂	5# ¹ / ₂	1# ¹ / ₆	1# ¹ / ₂	2	3# ¹ / ₆	1.6890	0.689
35 1# ¹ / ₈ 1# ¹ / ₈ 1# ¹ / ₈	UCTX07D1 UCTX07-105D1 UCTX07-106D1 UCTX07-107D1	19	17	83	49	29	83	16	102	114	144	36	49	56	88	49.2	19
		#4	# ¹ / ₂	3# ¹ / ₂	1# ¹ / ₆	1# ¹ / ₂	3# ¹ / ₂	0.630	4# ¹ / ₄	4# ¹ / ₂	5# ¹ / ₂	1# ¹ / ₂	1# ¹ / ₆	2# ¹ / ₂	3# ¹ / ₂	1.9370	0.748
40 1# ¹ / ₂ 1# ¹ / ₆	UCTX08D1 UCTX08-108D1 UCTX08-109D1	19	17	83	49	29	83	16	102	117	144	36	49	57	87	49.2	19
		#4	# ¹ / ₂	3# ¹ / ₂	1# ¹ / ₆	1# ¹ / ₂	3# ¹ / ₂	0.630	4# ¹ / ₄	4# ¹ / ₂	5# ¹ / ₂	1# ¹ / ₂	1# ¹ / ₆	2# ¹ / ₄	3# ¹ / ₆	1.9370	0.748
45 1# ¹ / ₈ 1# ¹ / ₆ 1# ¹ / ₄ 1# ¹ / ₆	UCTX09D1 UCTX09-110D1 UCTX09-111D1 UCTX09-112D1 UCTX09-113D1	19	18	83	49	29	86	16	102	117	151	38	49	59	92	51.6	19
		#4	# ¹ / ₂	3# ¹ / ₂	1# ¹ / ₆	1# ¹ / ₂	3# ¹ / ₈	0.630	4# ¹ / ₄	4# ¹ / ₂	5# ¹ / ₆	1# ¹ / ₂	1# ¹ / ₆	2# ¹ / ₆	3# ¹ / ₈	2.0315	0.748
50 1# ¹ / ₈ 1# ¹ / ₆ 2	UCTX10D1 UCTX10-114D1 UCTX10-115D1 UCTX10-200D1	25	21	102	64	35	95	22	130	146	171	42	64	65	106	55.6	22.2
		# ¹ / ₂	1# ¹ / ₆	4# ¹ / ₂	2# ¹ / ₈	1# ¹ / ₈	3# ¹ / ₄	0.866	5# ¹ / ₈	5# ¹ / ₄	6# ¹ / ₂	1# ¹ / ₂	2# ¹ / ₈	2# ¹ / ₆	4# ¹ / ₆	2.1890	0.874

Remarks: 1) These numbers indicate relubricatable type. If maintenance free type is needed, please order without suffix "D1".

Note: Please refer to page 25 for size of grease fitting.

Bearing number	Housing number	Mass of unit	
		kg	lb
UCX05D1	TX05D1	1.4	
UCX05-013D1	TX05D1		
UCX05-014D1	TX05D1	3.1	
UCX05-015D1	TX05D1		
UCX05-100D1	TX05D1		
UCX06D1	TX06D1	1.8	
UCX06-101D1	TX06D1		
UCX06-102D1	TX06D1	4.0	
UCX06-103D1	TX06D1		
UC207-104D1	TX06D1		
UCX07D1	TX07D1	2.6	
UCX07-105D1	TX07D1		
UCX07-106D1	TX07D1	5.7	
UCX07-107D1	TX07D1		
UCX08D1	TX08D1	2.6	
UCX08-108D1	TX08D1	5.7	
UCX08-109D1	TX08D1		
UCX09D1	TX09D1	2.8	
UCX09-110D1	TX09D1		
UCX09-111D1	TX09D1	6.2	
UCX09-112D1	TX09D1		
UC210-113D1	TX09D1		
UCX10D1	TX10D1	4.3	
UCX10-114D1	TX10D1		
UCX10-115D1	TX10D1	9.5	
UC211-200D1	TX10D1		

Take-up units cast housing Set screw type



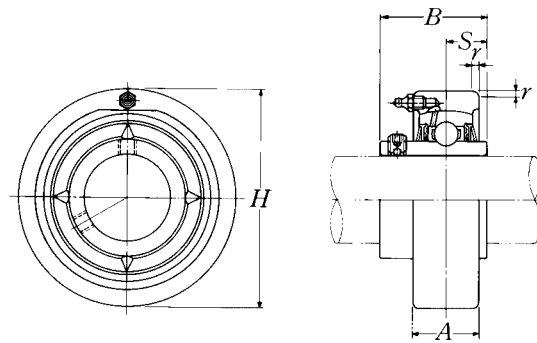
Shaft dia. mm inch	Unit number ¹⁾	Nominal dimensions															
		<i>N</i> ₁	<i>L</i> ₂	<i>H</i> ₂	<i>N</i> ₂	<i>N</i>	<i>L</i> ₃	<i>A</i> ₁	<i>H</i> ₁	<i>H</i>	<i>L</i>	<i>A</i> ₂	<i>A</i>	<i>r</i>	<i>L</i> ₁	<i>B</i>	<i>S</i>
55	UCTX11D1	32	21	102	64	35	102	22	130	146	194	44	64	75	119	65.1	25.4
2 ¹ / ₁₆	UCTX11-201D1																
2 ¹ / ₈	UCTX11-202D1																
2 ⁷ / ₁₆	UCTX11-203D1	1 ¹ / ₄	1 ¹ / ₁₆	4 ¹ / ₃₂	2 ¹ / ₃₂	1 ⁷ / ₈	4 ¹ / ₃₂	0.866	5 ¹ / ₈	5 ⁷ / ₈	7 ⁷ / ₈	1 ¹¹ / ₃₂	2 ¹ / ₃₂	2 ¹ / ₁₆	4 ¹ / ₁₆	2.5630	1.000
2 ¹ / ₄	UCTX11-204D1																
2 ³ / ₁₆	UCTX11-205D1																
60	UCTX12D1	32	23	111	70	41	121	26	151	167	224	48	70	87	137	65.1	25.4
2 ³ / ₈	UCTX12-206D1																
2 ⁵ / ₁₆	UCTX12-207D1	1 ¹ / ₄	3 ¹ / ₃₂	4 ⁷ / ₈	2 ⁷ / ₁₆	1 ⁷ / ₈	4 ⁷ / ₁₆	1.024	5 ¹ / ₁₆	6 ¹ / ₁₆	8 ¹ / ₁₆	1 ⁷ / ₈	2 ⁷ / ₁₆	3 ⁷ / ₁₆	5 ¹ / ₃₂	2.5630	1.000
65	UCTX13D1	32	23	111	70	41	121	26	151	167	224	48	70	87	137	74.6	30.2
2 ¹ / ₂	UCTX13-208D1																
2 ¹ / ₁₆	UCTX13-209D1	1 ¹ / ₄	3 ¹ / ₃₂	4 ⁷ / ₈	2 ⁷ / ₁₆	1 ⁷ / ₈	4 ⁷ / ₁₆	1.024	5 ¹ / ₁₆	6 ¹ / ₁₆	8 ¹ / ₁₆	1 ⁷ / ₈	2 ⁷ / ₁₆	3 ⁷ / ₁₆	5 ¹ / ₃₂	2.9370	1.189
70	UCTX14D1	32	23	111	70	41	121	26	151	167	232	48	70	92	140	77.8	33.3
2 ⁷ / ₈	UCTX14-210D1																
2 ¹ / ₁₆	UCTX14-211D1	1 ¹ / ₄	3 ¹ / ₃₂	4 ⁷ / ₈	2 ⁷ / ₁₆	1 ⁷ / ₈	4 ⁷ / ₁₆	1.024	5 ¹ / ₁₆	6 ¹ / ₁₆	9 ¹ / ₈	1 ⁷ / ₈	2 ⁷ / ₁₆	3 ⁷ / ₈	5 ¹ / ₂	3.0630	1.311
2 ⁷ / ₁₆	UCTX14-212D1																
75	UCTX15D1	32	23	111	70	41	121	28	165	184	235	48	70	95	140	82.6	33.3
2 ¹ / ₁₆	UCTX15-213D1																
2 ³ / ₈	UCTX15-214D1																
2 ¹ / ₁₆	UCTX15-215D1	1 ¹ / ₄	3 ¹ / ₃₂	4 ⁷ / ₈	2 ⁷ / ₁₆	1 ⁷ / ₈	4 ⁷ / ₁₆	1.102	6 ¹ / ₂	7 ¹ / ₄	9 ¹ / ₄	1 ⁷ / ₈	2 ⁷ / ₁₆	3 ⁷ / ₁₆	5 ¹ / ₂	3.2520	1.311
3	UCTX15-300D1																
80	UCTX16D1	38	30	124	73	48	157	28	173	198	260	54	73	98	162	85.7	34.1
3 ¹ / ₁₆	UCTX16-301D1																
3 ¹ / ₈	UCTX16-302D1																
3 ⁷ / ₁₆	UCTX16-303D1	1 ¹ / ₂	1 ⁷ / ₁₆	4 ⁷ / ₈	2 ⁷ / ₈	1 ⁷ / ₈	6 ⁷ / ₁₆	1.102	6 ¹ / ₁₆	7 ¹ / ₃₂	10 ¹ / ₄	2 ¹ / ₈	2 ⁷ / ₈	3 ¹ / ₃₂	6 ⁷ / ₈	3.3740	1.343
3 ¹ / ₄	UCTX16-304D1																
85	UCTX17D1	38	30	124	73	48	157	28	173	198	260	54	73	98	162	96	39.7
3 ⁷ / ₁₆	UCTX17-305D1																
3 ⁷ / ₁₆	UCTX17-307D1	1 ¹ / ₂	1 ⁷ / ₁₆	4 ⁷ / ₈	2 ⁷ / ₈	1 ⁷ / ₈	6 ⁷ / ₁₆	1.102	6 ¹ / ₁₆	7 ¹ / ₃₂	10 ¹ / ₄	2 ¹ / ₈	2 ⁷ / ₈	3 ¹ / ₃₂	6 ⁷ / ₈	3.7795	1.563

Remarks: 1) These numbers indicate relubricatable type. If maintenance free type is needed, please order without suffix "D1".

Note: Please refer to page 25 for size of grease fitting.

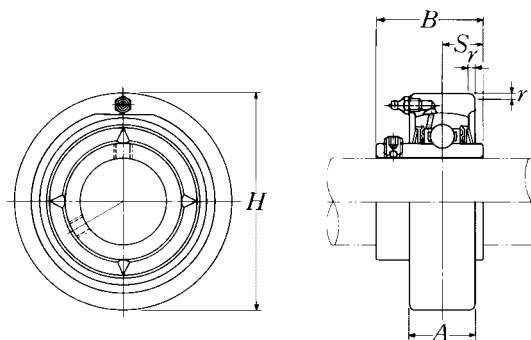
Bearing number	Housing number	Mass of unit	
		kg	lb
UCX11D1	TX11D1	5.2	
UCX11-201D1	TX11D1		
UCX11-202D1	TX11D1		
UCX11-203D1	TX11D1	11	
UC212-204D1	TX11D1		
UC212-205D1	TX11D1		
UCX12D1	TX12D1	7.6	
UCX12-206D1	TX12D1	17	
UCX12-207D1	TX12D1		
UCX13D1	TX13D1	7.6	
UCX13-208D1	TX13D1	17	
UCX13-209D1	TX13D1		
UCX14D1	TX14D1	7.7	
UCX14-210D1	TX14D1		
UCX14-211D1	TX14D1	17	
UCX14-212D1	TX14D1		
UCX15D1	TX15D1	8.4	
UCX15-213D1	TX15D1		
UCX15-214D1	TX15D1	19	
UCX15-215D1	TX15D1		
UCX15-300D1	TX15D1		
UCX16D1	TX16D1	11	
UCX16-301D1	TX16D1		
UCX16-302D1	TX16D1	24	
UCX16-303D1	TX16D1		
UC217-304D1	TX16D1		
UCX17D1	TX17D1	12	
UCX17-305D1	TX17D1	26	
UCX17-307D1	TX17D1		

Cylindrical cartridge units cast housing
Set screw type



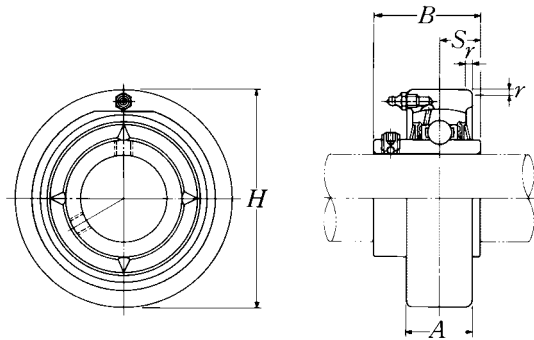
Shaft dia. mm inch	Unit number ¹⁾	Nominal dimensions					Bearing number ¹⁾	Housing number	Mass of unit kg lb
		H	A	r	B	S			
12 1/2	UCC201D1	72	20	2	31	12.7	UC201D1	C204D1	0.6
	UCC201-008D1	2.8346	0.787	0.079	1.2205	0.500	UC201-008D1	C204D1	1.3
15 5/8	UCC202D1	72	20	2	31	12.7	UC202D1	C204D1	0.6
	UCC202-009D1	2.8346	0.787	0.079	1.2205	0.500	UC202-009D1	C204D1	1.3
	UCC202-010D1						UC202-010D1	C204D1	
17 1 1/8	UCC203D1	72	20	2	31	12.7	UC203D1	C204D1	0.5
	UCC203-011D1	2.8346	0.787	0.079	1.2205	0.500	UC203-011D1	C204D1	1.1
20 3/4	UCC204D1	72	20	2	31	12.7	UC204D1	C204D1	0.5
	UCC204-012D1	2.8346	0.787	0.079	1.2205	0.500	UC204-012D1	C204D1	1.1
25 1 3/8 1 1/2 1	UCC205D1	80	22	2	34.1	14.3	UC205D1	C205D1	0.7
	UCC205-013D1						UC205-013D1	C205D1	
	UCC205-014D1	3.1496	0.866	0.079	1.3425	0.563	UC205-014D1	C205D1	1.5
	UCC205-015D1						UC205-015D1	C205D1	
30 1 1/8 1 1/8 1 3/8 1 1/4	UCC206D1	85	27	2	38.1	15.9	UC206D1	C206D1	0.9
	UCC206-101D1						UC206-101D1	C206D1	
	UCC206-102D1	3.3465	1.063	0.079	1.5000	0.626	UC206-102D1	C206D1	2.0
	UCC206-103D1						UC206-103D1	C206D1	
35 1 1/4 1 3/8 1 3/8 1 3/8	UCC207D1	90	28	2	42.9	17.5	UC207D1	C207D1	1.0
	UCC207-104D1						UC207-104D1	C207D1	
	UCC207-105D1	3.5433	1.102	0.079	1.6890	0.689	UC207-105D1	C207D1	2.2
	UCC207-106D1						UC207-106D1	C207D1	
40 1 1/2 1 3/8	UCC208D1	100	30	2.5	49.2	19	UC208D1	C208D1	1.3
	UCC208-108D1	3.9370	1.181	0.098	1.9370	0.748	UC208-108D1	C208D1	2.9
	UCC208-109D1						UC208-109D1	C208D1	
45 1 3/8 1 1 1/8 1 3/4	UCC209D1	110	31	2.5	49.2	19	UC209D1	C209D1	1.6
	UCC209-110D1						UC209-110D1	C209D1	
	UCC209-111D1	4.3307	1.217	0.098	1.9370	0.748	UC209-111D1	C209D1	3.5
	UCC209-112D1						UC209-112D1	C209D1	

Remarks: 1) These numbers indicate relubricatable type. If maintenance free type is needed, please order without suffix "D1".
Note: Please refer to page 25 for size of grease fitting.



Shaft dia.	Unit number ¹⁾	Nominal dimensions					Bearing number ¹⁾	Housing number	Mass of unit
		mm		inch					
		H	A	r	B	S			
50	UCC210D1	120	33	2.5	51.6	19	UC210D1	C210D1	2.0
1 1/16	UCC210-113D1						UC210-113D1	C210D1	
1 3/8	UCC210-114D1	4.7244	1 1/8	0.098	2.0315	0.748	UC210-114D1	C210D1	4.4
1 1/2	UCC210-115D1						UC210-115D1	C210D1	
2	UCC210-200D1						UC210-200D1	C210D1	
55	UCC211D1	125	35	2.5	55.6	22.2	UC211D1	C211D1	2.2
2	UCC211-200D1						UC211-200D1	C211D1	
2 1/16	UCC211-201D1	4.9213	1 3/8	0.098	2.1890	0.874	UC211-201D1	C211D1	4.9
2 1/8	UCC211-202D1						UC211-202D1	C211D1	
2 3/16	UCC211-203D1						UC211-203D1	C211D1	
60	UCC212D1	130	38	2.5	65.1	25.4	UC212D1	C212D1	2.6
2 1/4	UCC212-204D1						UC212-204D1	C212D1	
2 5/16	UCC212-205D1	5.1181	1 1/2	0.098	2.5630	1.000	UC212-205D1	C212D1	5.7
2 3/8	UCC212-206D1						UC212-206D1	C212D1	
2 7/16	UCC212-207D1						UC212-207D1	C212D1	
65	UCC213D1	140	40	3	65.1	25.4	UC213D1	C213D1	3.1
2 1/2	UCC213-208D1	5.5118	1 5/8	0.118	2.5630	1.000	UC213-208D1	C213D1	6.8
2 7/16	UCC213-209D1						UC213-209D1	C213D1	

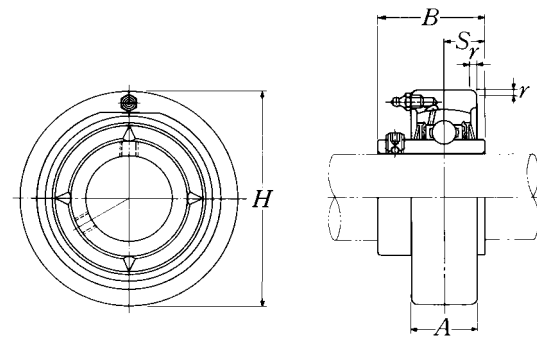
Cylindrical cartridge units cast housing Set screw type



Shaft dia.	Unit number ¹⁾	Nominal dimensions					Bearing number ¹⁾	Housing number	Mass of unit
		<i>H</i>	<i>A</i>	<i>r</i>	<i>B</i>	<i>S</i>			
mm inch		mm	inch					kg lb	
25	UCC305D1	90	26	2.5	38	15	UC305D1	C305D1	1.1
1 ¹ / ₈	UCC305-013D1						UC305-013D1	C305D1	
1 ¹ / ₈	UCC305-014D1	3.5433	1 ¹ / ₈	0.098	1.4961	0.591	UC305-014D1	C305D1	2.4
1 ¹ / ₈	UCC305-015D1						UC305-015D1	C305D1	
1	UCC305-100D1						UC305-100D1	C305D1	
30	UCC306D1	100	28	2.5	43	17	UC306D1	C306D1	1.4
1 ¹ / ₈	UCC306-101D1						UC306-101D1	C306D1	
1 ¹ / ₈	UCC306-102D1	3.9370	1 ¹ / ₈	0.098	1.6929	0.669	UC306-102D1	C306D1	3.1
1 ¹ / ₈	UCC306-103D1						UC306-103D1	C306D1	
35	UCC307D1	110	32	3	48	19	UC307D1	C307D1	1.8
1 ¹ / ₄	UCC307-104D1						UC307-104D1	C307D1	
1 ¹ / ₄	UCC307-105D1	4.3307	1 ¹ / ₄	0.118	1.8898	0.748	UC307-105D1	C307D1	4.0
1 ¹ / ₄	UCC307-106D1						UC307-106D1	C307D1	
1 ¹ / ₄	UCC307-107D1						UC307-107D1	C307D1	
40	UCC308D1	120	34	3	52	19	UC308D1	C308D1	2.2
1 ¹ / ₂	UCC308-108D1	4.7244	1 ¹ / ₂	0.118	2.0472	0.748	UC308-108D1	C308D1	4.9
1 ¹ / ₂	UCC308-109D1						UC308-109D1	C308D1	
45	UCC309D1	130	38	3.5	57	22	UC309D1	C309D1	2.7
1 ³ / ₈	UCC309-110D1						UC309-110D1	C309D1	
1 ¹ / ₂	UCC309-111D1	5.1181	1 ¹ / ₂	0.138	2.2441	0.866	UC309-111D1	C309D1	6.0
1 ¹ / ₂	UCC309-112D1						UC309-112D1	C309D1	
50	UCC310D1	140	40	3.5	61	22	UC310D1	C310D1	3.3
1 ¹ / ₂	UCC310-113D1						UC310-113D1	C310D1	
1 ³ / ₈	UCC310-114D1	5.5118	1 ³ / ₈	0.138	2.4016	0.866	UC310-114D1	C310D1	7.3
1 ¹ / ₂	UCC310-115D1						UC310-115D1	C310D1	
55	UCC311D1	150	44	3.5	66	25	UC311D1	C311D1	3.9
2	UCC311-200D1						UC311-200D1	C311D1	
2 ¹ / ₈	UCC311-201D1	5.9055	1 ³ / ₈	0.138	2.5984	0.984	UC311-201D1	C311D1	8.6
2 ¹ / ₈	UCC311-202D1						UC311-202D1	C311D1	
2 ¹ / ₈	UCC311-203D1						UC311-203D1	C311D1	

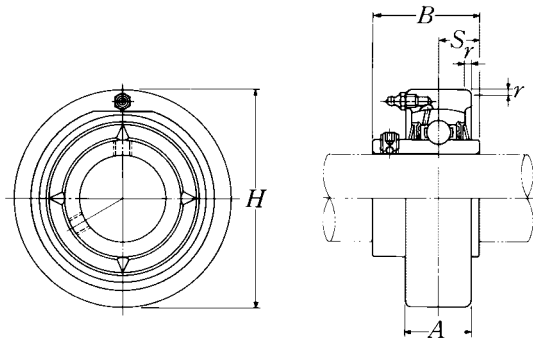
Remarks: 1) These numbers indicate relubricatable type. If maintenance free type is needed, please order without suffix "D1".

Note: Please refer to page 25 for size of grease fitting.



Shaft dia.	Unit number ¹⁾	Nominal dimensions					Bearing number ¹⁾	Housing number	Mass of unit
		<i>H</i>	<i>A</i>	<i>r</i>	<i>B</i>	<i>S</i>			
mm inch		mm	inch					kg lb	
60	UCC312D1	160	46	3.5	71	26	UC312D1	C312D1	4.8
2 1/4	UCC312-204D1						UC312-204D1	C312D1	
2 3/8	UCC312-205D1	6.2992	1 7/16	0.138	2.7953	1.024	UC312-205D1	C312D1	11
2 3/8	UCC312-206D1						UC312-206D1	C312D1	
2 3/8	UCC312-207D1						UC312-207D1	C312D1	
65	UCC313D1	170	50	3.5	75	30	UC313D1	C313D1	5.8
2 1/2	UCC313-208D1						UC313-208D1	C313D1	
2 7/8	UCC313-209D1	6.6929	1 7/16	0.138	2.9528	1.181	UC313-209D1	C313D1	13
70	UCC314D1	180	52	4	78	33	UC314D1	C314D1	6.6
2 3/8	UCC314-210D1						UC314-210D1	C314D1	
2 1 1/8	UCC314-211D1	7.0866	2 1/8	0.157	3.0709	1.299	UC314-211D1	C314D1	15
2 3/4	UCC314-212D1						UC314-212D1	C314D1	
75	UCC315D1	190	55	4	82	32	UC315D1	C315D1	7.8
2 1 3/8	UCC315-213D1						UC315-213D1	C315D1	
2 3/8	UCC315-214D1	7.4803	2 1 1/8	0.157	3.2283	1.260	UC315-214D1	C315D1	17
2 1 3/8	UCC315-215D1						UC315-215D1	C315D1	
3	UCC315-300D1						UC315-300D1	C315D1	
80	UCC316D1	200	60	4	86	34	UC316D1	C316D1	9.0
3 1/8	UCC316-301D1						UC316-301D1	C316D1	
3 1/8	UCC316-302D1	7.8740	2 3/8	0.157	3.3858	1.339	UC316-302D1	C316D1	20
3 3/8	UCC316-303D1						UC316-303D1	C316D1	
85	UCC317D1	215	64	4	96	40	UC317D1	C317D1	11
3 1/4	UCC317-304D1						UC317-304D1	C317D1	
3 3/8	UCC317-305D1	8.4646	2 5/8	0.157	3.7795	1.575	UC317-305D1	C317D1	24
3 3/8	UCC317-307D1						UC317-307D1	C317D1	
90	UCC318D1	225	66	4	96	40	UC318D1	C318D1	12
3 1/2	UCC318-308D1	8.8583	2 1 3/8	0.157	3.7795	1.575	UC318-308D1	C318D1	26
95	UCC319D1	240	72	4	103	41	UC319D1	C319D1	15
3 3/8	UCC319-310D1						UC319-310D1	C319D1	
3 1 1/8	UCC319-311D1	9.4488	2 3/4	0.157	4.0551	1.614	UC319-311D1	C319D1	33
3 3/4	UCC319-312D1						UC319-312D1	C319D1	

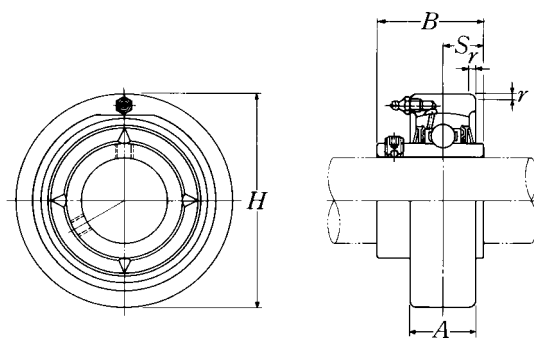
Cylindrical cartridge units cast housing
Set screw type



Shaft dia.	Unit number ¹⁾	Nominal dimensions					Bearing number ¹⁾	Housing number	Mass of unit
		<i>H</i>	<i>A</i>	<i>r</i>	<i>B</i>	<i>S</i>			
mm inch		mm	inch					kg lb	
100	UCC320D1	260	75	4	108	42	UC320D1	C320D1	19
3 1/8	UCC320-313D1	10.2362	2 7/8	0.157	4.2520	1.654	UC320-313D1	C320D1	42
3 7/8	UCC320-314D1						UC320-314D1	C320D1	
3 1/2	UCC320-315D1						UC320-315D1	C320D1	
4	UCC320-400D1						UC320-400D1	C320D1	
105	UCC321D1	260	75	4	112	44	UC321D1	C321D1	19
110	UCC322D1	300	80	5	117	46	UC322D1	C322D1	28
120	UCC324D1	320	90	5	126	51	UC324D1	C324D1	35
130	UCC326D1	340	100	5	135	54	UC326D1	C326D1	42
140	UCC328D1	360	100	5	145	59	UC328D1	C328D1	49

Remarks: 1) These numbers indicate relubricatable type. If maintenance free type is needed, please order without suffix "D1".
Note: Please refer to page 25 for size of grease fitting.

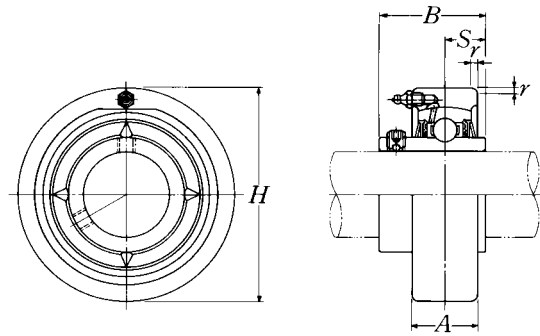
Cylindrical cartridge units cast housing
Set screw type



Shaft dia.	Unit number ¹⁾	Nominal dimensions					Bearing number ¹⁾	Housing number	Mass of unit
		<i>H</i>	<i>A</i>	<i>r</i>	<i>B</i>	<i>S</i>			
mm inch		mm	inch					kg lb	
25	UCCX05D1	90	27	2	38.1	15.9	UCX05D1	CX05D1	1.1
1#7/8	UCCX05-013D1						UCX05-013D1	CX05D1	
1#8	UCCX05-014D1	3.5433	1#7/8	0.079	1.5000	0.626	UCX05-014D1	CX05D1	2.4
1#7/8	UCCX05-015D1						UCX05-015D1	CX05D1	
1	UCCX05-100D1						UCX05-100D1	CX05D1	
30	UCCX06D1	100	30	2.5	42.9	17.5	UCX06D1	CX06D1	1.6
1#7/8	UCCX06-101D1						UCX06-101D1	CX06D1	
1#8	UCCX06-102D1	3.9370	1#7/8	0.098	1.6890	0.689	UCX06-102D1	CX06D1	3.5
1#7/8	UCCX06-103D1						UCX06-103D1	CX06D1	
1#4	UCCX06-104D1						UC207-104D1	CX06D1	
35	UCCX07D1	110	34	2.5	49.2	19	UCX07D1	CX07D1	2.0
1#7/8	UCCX07-105D1						UCX07-105D1	CX07D1	
1#8	UCCX07-106D1	4.3307	1#3/2	0.098	1.9370	0.748	UCX07-106D1	CX07D1	4.4
1#7/8	UCCX07-107D1						UCX07-107D1	CX07D1	
40	UCCX08D1	120	38	2.5	49.2	19	UCX08D1	CX08D1	2.5
1#2	UCCX08-108D1	4.7244	1#2	0.098	1.9370	0.748	UCX08-108D1	CX08D1	5.5
1#7/8	UCCX08-109D1						UCX08-109D1	CX08D1	
45	UCCX09D1	120	38	2.5	51.6	19	UCX09D1	CX09D1	2.4
1#8	UCCX09-110D1						UCX09-110D1	CX09D1	
1#17/8	UCCX09-111D1	4.7244	1#2	0.098	2.0315	0.748	UCX09-111D1	CX09D1	5.3
1#4	UCCX09-112D1						UCX09-112D1	CX09D1	
1#7/8	UCCX09-113D1						UC210-113D1	CX09D1	
50	UCCX10D1	130	40	2.5	55.6	22.2	UCX10D1	CX10D1	3.0
1#8	UCCX10-114D1						UCX10-114D1	CX10D1	
1#7/8	UCCX10-115D1	5.1181	1#8/4	0.098	2.1890	0.874	UCX10-115D1	CX10D1	6.6
2	UCCX10-200D1						UC211-200D1	CX10D1	

Remarks: 1) These numbers indicate relubricatable type. If maintenance free type is needed, please order without suffix "D1".
Note: Please refer to page 25 for size of grease fitting.

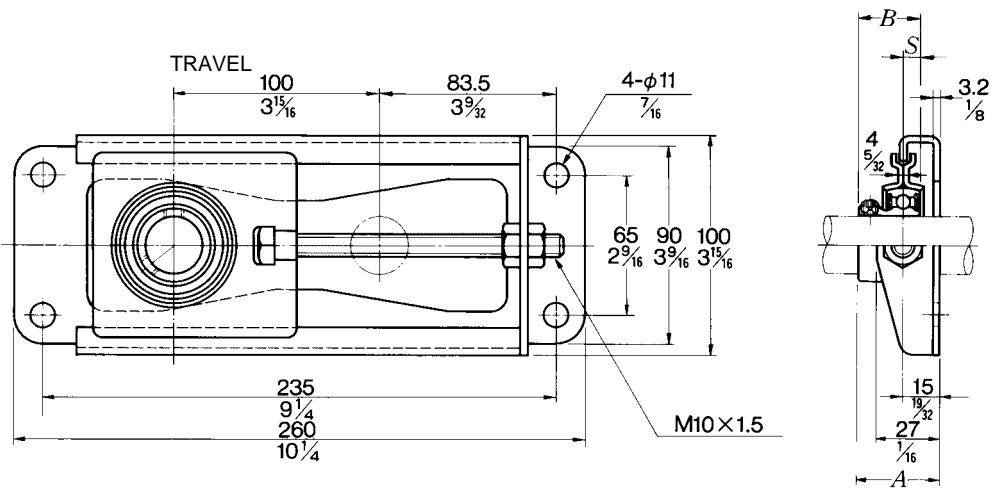
Cylindrical cartridge units cast housing
Set screw type



Shaft dia.	Unit number ¹⁾	Nominal dimensions					Bearing number ¹⁾	Housing number	Mass of unit
		<i>H</i>	<i>A</i>	<i>r</i>	<i>B</i>	<i>S</i>			
mm inch			mm	inch				kg lb	
55	UCCX11D1	150	42	3	65.1	25.4	UCX11D1	CX11D1	4.4
2 1/16	UCCX11-201D1						UCX11-201D1	CX11D1	
2 1/8	UCCX11-202D1						UCX11-202D1	CX11D1	
2 3/16	UCCX11-203D1	5.9055	1 1/32	0.118	2.5630	1.000	UCX11-203D1	CX11D1	9.7
2 1/4	UCCX11-204D1						UC212-204D1	CX11D1	
2 5/16	UCCX11-205D1						UC212-205D1	CX11D1	
60	UCCX12D1	160	44	3	65.1	25.4	UCX12D1	CX12D1	5.0
2 3/8	UCCX12-206D1	6.2992	1 7/16	0.118	2.5630	1.000	UCX12-206D1	CX12D1	11
2 1/2	UCCX12-207D1						UCX12-207D1	CX12D1	

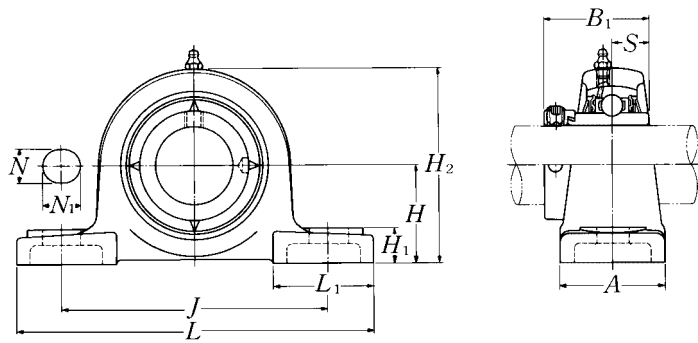
Remarks: 1) These numbers indicate relubricatable type. If maintenance free type is needed, please order without suffix "D1".
Note: Please refer to page 25 for size of grease fitting.

Mini stretcher Set screw type



Shaft dia.	Unit number	Nominal dimensions			Bolt size	Max. load recommended		Bearing number	Mass of unit	
		mm	inch			N	lbf		kg	lb
mm inch		A	B	S	mm inch					
12 1/2	ASPT201-10 ASPT201-008-10	31 1 1/8	22 0.8661	6 0.236	M10 #8	3 500 770		AS201 AS201-008	1.0 2.2	
15 5/8 3/8	ASPT202-10 ASPT202-009-10 ASPT202-010-10	31 1 1/8	22 0.8661	6 0.236	M10 #8	3 500 770		AS202 AS202-009 AS202-010	1.0 2.2	
17 1 1/8	ASPT203-10 ASPT203-011-10	31 1 1/8	22 0.8661	6 0.236	M10 #8	3 500 770		AS203 AS203-011	1.0 2.2	
20 3/4	ASPT204-10 ASPT204-012-10	33 1 1/8	25 0.9843	7 0.276	M10 #8	3 500 770		AS204 AS204-012	1.0 2.2	
25 1 3/8 1 1/8 1 1/8 1	ASPT205-10 ASPT205-013-10 ASPT205-014-10 ASPT205-015-10 ASPT205-100-10	34.5 1 1/8	27 1.0630	7.5 0.295	M10 #8	3 500 770		AS205 AS205-013 AS205-014 AS205-015 AS205-100	1.1 2.4	

Pillow blocks cast housing
Eccentric locking collar type

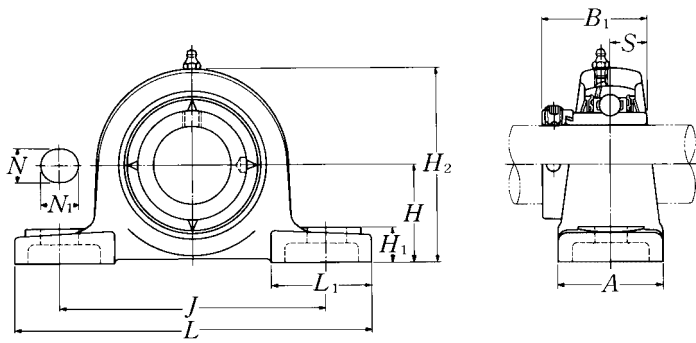


Shaft dia.	Unit number ¹⁾	Nominal dimensions											Bolt size
		mm					inch						
mm inch		H	L	J	A	N	N _i	H ₁	H ₂	L ₁	B ₁	S	mm inch
20 #4	UELP204D1W3 UELP204-012D1W3	33.3 1 1/8	127 5	95 3 3/4	38 1 1/2	13 1/2	16 5/8	14 1/2	65 2 1/2	42 1 3/4	43.7 1.720	17.1 0.673	M10 #8
25 1 1/8 #8 1 1/8 1	UELP205D1W3 UELP205-013D1W3 UELP205-014D1W3 UELP205-015D1W3 UELP205-100D1W3	36.5 1 1/8	140 5 1/2	105 4 1/8	38 1 1/2	13 1/2	16 5/8	15 1 1/2	71 2 3/4	42 1 3/4	44.4 1.748	17.5 0.689	M10 #8
30 1 1/8 1 1/8 1 3/8 1 1/4	UELP206D1W3 UELP206-101D1W3 UELP206-102D1W3 UELP206-103D1W3 UELP206-104D1W3	42.9 1 11/16	165 6 1/2	121 4 3/4	48 1 7/8	17 1 1/4	20 3/4	17 1 1/4	83 3 1/4	54 2 1/8	48.4 1.906	18.3 0.720	M14 1/2
35 1 1/4 1 3/8 1 3/8 1 3/8	UELP207D1W3 UELP207-104D1W3 UELP207-105D1W3 UELP207-106D1W3 UELP207-107D1W3	47.6 1 7/8	167 6 1/2	127 5	48 1 7/8	17 1 1/4	20 3/4	18 3/4	93 3 3/4	54 2 1/8	51.1 2.012	18.8 0.740	M14 1/2
40 1 1/2 1 1/8	UELP208D1W3 UELP208-108D1W3 UELP208-109D1W3	49.2 1 11/16	184 7 1/4	137 5 1 3/4	54 2 1/8	17 1 1/4	20 3/4	18 3/4	98 3 3/4	52 2 1/8	56.3 2.217	21.4 0.843	M14 1/2
45 1 3/8 1 1 1/8 1 3/4	UELP209D1W3 UELP209-110D1W3 UELP209-111D1W3 UELP209-112D1W3	54 2 1/8	190 7 1 3/4	146 5 3/4	54 2 1/8	17 1 1/4	20 3/4	20 3/4	106 4 1/8	60 2 3/8	56.3 2.217	21.4 0.843	M14 1/2
50 1 1 3/8 1 3/8 1 1 3/8 2	UELP210D1W3 UELP210-113D1W3 UELP210-114D1W3 UELP210-115D1W3 UELP210-200D1W3	57.2 2 1/4	206 8 1/8	159 6 1/4	60 2 3/8	20 1 1/2	23 1 1/4	21 1 1/8	114 4 1/2	65 2 1/2	62.7 2.469	24.6 0.969	M16 3/8

Remarks: 1) These numbers indicate relubricatable type. If maintenance free type is needed, please order without suffix "D1".
Note: Please refer to page 25 for size of grease fitting.

Bearing number	Housing number	Mass of unit	
		kg	lb
UEL204D1W3	P204D1	0.7	
UEL204-012D1W3	P204D1	1.5	
UEL205D1W3	P205D1	0.9	
UEL205-013D1W3	P205D1		
UEL205-014D1W3	P205D1	2.0	
UEL205-015D1W3	P205D1		
UEL205-100D1W3	P205D1		
UEL206D1W3	P206D1	1.4	
UEL206-101D1W3	P206D1		
UEL206-102D1W3	P206D1	3.1	
UEL206-103D1W3	P206D1		
UEL206-104D1W3	P206D1		
UEL207D1W3	P207D1	1.8	
UEL207-104D1W3	P207D1		
UEL207-105D1W3	P207D1	4.0	
UEL207-106D1W3	P207D1		
UEL207-107D1W3	P207D1		
UEL208D1W3	P208D1	2.0	
UEL208-108D1W3	P208D1	4.4	
UEL208-109D1W3	P208D1		
UEL209D1W3	P209D1	2.4	
UEL209-110D1W3	P209D1		
UEL209-111D1W3	P209D1	5.3	
UEL209-112D1W3	P209D1		
UEL210D1W3	P210D1	2.8	
UEL210-113D1W3	P210D1		
UEL210-114D1W3	P210D1	6.2	
UEL210-115D1W3	P210D1		
UEL210-200D1W3	P210D1		

Pillow blocks cast housing
Eccentric locking collar type

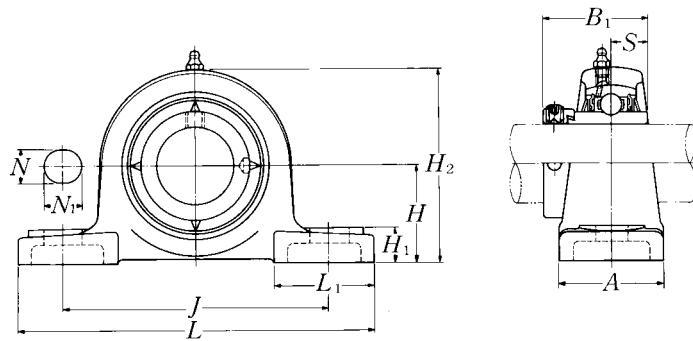


Shaft dia.	Unit number ¹⁾	Nominal dimensions											Bolt size	
							mm	inch						
		H	L	J	A	N	N ₁	H ₁	H ₂	L ₁	B ₁	S		
55	UERP211D1W3	63.5	219	171	60	20	23	23	126	65	71.4	27.8	M16	
2	UERP211-200D1W3													
2 1/8	UERP211-201D1W3	2 1/2	8 5/8	6 3/32	2 3/8	3/32	1/32	1/32	4 1/32	2 1/16	2.811	1.094	5/8	
2 1/8	UERP211-202D1W3													
2 3/16	UERP211-203D1W3													
60	UERP212D1W3	69.8	241	184	70	20	23	25	138	70	77.8	31	M16	
2 1/4	UERP212-204D1W3													
2 3/16	UERP212-205D1W3	2 3/4	9 1/2	7 1/4	2 3/4	3/32	1/32	1/32	5 1/16	2 3/4	3.063	1.220	5/8	
2 3/8	UERP212-206D1W3													
2 3/8	UERP212-207D1W3													
65	UERP213D1W3	76.2	265	203	70	25	28	27	151	77	85.7	34.15	M20	
2 1/2	UERP213-208D1W3													
2 3/16	UERP213-209D1W3	3	10 5/16	8	2 3/4	1/32	1 3/32	1 1/16	5 1/16	3 1/32	3.374	1.344	3/4	
70	UERP214D1W3	79.4	266	210	72	25	28	27	157	77	85.7	34.15	M20	
2 3/8	UERP214-210D1W3													
2 1 1/16	UERP214-211D1W3	3 1/8	10 1 3/32	8 3/32	2 3/8	1/32	1 3/32	1 1/16	6 1/16	3 1/32	3.374	1.344	3/4	
2 3/4	UERP214-212D1W3													
75	UERP215D1W3	82.6	275	217	74	25	28	28	163	80	92	37.3	M20	
2 1 3/16	UERP215-213D1W3													
2 3/8	UERP215-214D1W3	3 1/4	10 1 1/16	8 1 3/32	2 3/8	1/32	1 3/32	1 3/32	6 1 3/32	3 3/32	3.622	1.469	3/4	
2 1 3/16	UERP215-215D1W3													
3	UERP215-300D1W3													

Remarks: 1) These numbers indicate relubricatable type. If maintenance free type is needed, please order without suffix "D1".
Note: Please refer to page 25 for size of grease fitting.

Bearing number	Housing number	Mass of unit	
		kg	lb
UEL211D1W3	P211D1	3.5	
UEL211-200D1W3	P211D1		
UEL211-201D1W3	P211D1	7.7	
UEL211-202D1W3	P211D1		
UEL211-203D1W3	P211D1		
UEL212D1W3	P212D1	5.0	
UEL212-204D1W3	P212D1		
UEL212-205D1W3	P212D1	11	
UEL212-206D1W3	P212D1		
UEL212-207D1W3	P212D1		
UEL213D1W3	P213D1	6.4	
UEL213-208D1W3	P213D1	14	
UEL213-209D1W3	P213D1		
UEL214D1W3	P214D1	6.8	
UEL214-210D1W3	P214D1		
UEL214-211D1W3	P214D1	15	
UEL214-212D1W3	P214D1		
UEL215D1W3	P215D1	7.6	
UEL215-213D1W3	P215D1		
UEL215-214D1W3	P215D1	17	
UEL215-215D1W3	P215D1		
UEL215-300D1W3	P215D1		

Pillow blocks cast housing
Eccentric locking collar type



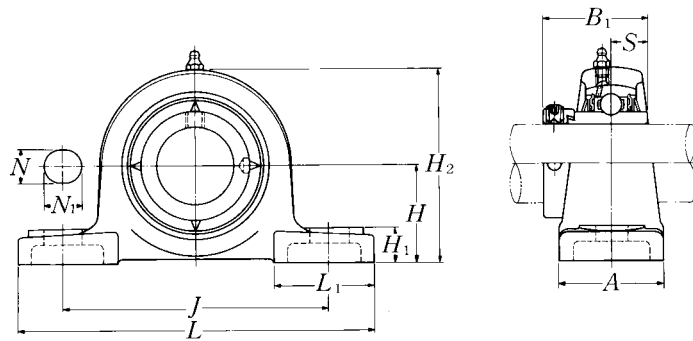
Shaft dia.	Unit number ¹⁾	Nominal dimensions											Bolt size
		mm					inch						
mm inch		H	L	J	A	N	N _i	H ₁	H ₂	L ₁	B ₁	S	mm inch
25	UELP305D1W3	45	175	132	45	17	20	15	85	54	46.8	16.7	M14
1#7/6	UELP305-013D1W3												
8/8	UELP305-014D1W3	1 3/64	6 7/8	5 1/6	1 3/32	3/16	3/16	1/2	3 1/2	2 1/8	1.843	0.657	1/2
1#7/6	UELP305-015D1W3												
1	UELP305-100D1W3												
30	UELP306D1W3	50	180	140	50	17	20	18	95	54	50	17.5	M14
1#7/6	UELP306-101D1W3												
1#8	UELP306-102D1W3	1 7/32	7 1/32	5 1/2	1 7/32	3/16	3/16	3/16	3 3/4	2 1/8	1.969	0.689	1/2
1#7/6	UELP306-103D1W3												
35	UELP307D1W3	56	210	160	56	17	25	20	106	60	51.6	18.3	M14
1#4	UELP307-104D1W3												
1#7/6	UELP307-105D1W3	2 1/64	8 1/32	6 3/6	2 3/32	3/16	1/2	3/16	4 1/6	2 3/8	2.031	0.720	1/2
1#8	UELP307-106D1W3												
1#7/6	UELP307-107D1W3												
40	UELP308D1W3	60	220	170	60	17	27	22	116	60	57.1	19.8	M14
1#2	UELP308-108D1W3												
1#7/6	UELP308-109D1W3	2 3/64	8 1/32	6 1 1/6	2 3/8	3/16	1 1/6	3/8	4 1/6	2 3/8	2.248	0.780	1/2
45	UELP309D1W3	67	245	190	67	20	30	24	129	65	58.7	19.8	M16
1#8	UELP309-110D1W3												
1 1 1/6	UELP309-111D1W3	2 5/64	9 1/32	7 1 3/32	2 3/8	3/16	1 1/6	1 1/6	5 3/32	2 1/6	2.311	0.780	3/8
1#4	UELP309-112D1W3												
50	UELP310D1W3	75	275	212	75	20	35	27	143	75	66.6	24.6	M16
1 1 1/6	UELP310-113D1W3												
1#8	UELP310-114D1W3	2 1/64	10 1 1/6	8 1 1/32	2 1 1/6	3/16	1 3/8	1 1/6	5 3/8	2 1 1/6	2.622	0.969	3/8
1 1 1/6	UELP310-115D1W3												
55	UELP311D1W3	80	310	236	80	20	38	30	154	85	73	27.8	M16
2	UELP311-200D1W3												
2 1/6	UELP311-201D1W3	3 3/32	12 3/32	9 1/32	3 3/32	3/16	1 1/2	1 1/6	6 1/6	3 1 1/32	2.874	1.094	3/8
2 1/8	UELP311-202D1W3												
2#7/6	UELP311-203D1W3												

Remarks: 1) These numbers indicate relubricatable type. If maintenance free type is needed, please order without suffix "D1".

Note: Please refer to page 25 for size of grease fitting.

Bearing number	Housing number	Mass of unit	
		kg	lb
UEL305D1W3	P305D1	1.4	
UEL305-013D1W3	P305D1		
UEL305-014D1W3	P305D1	3.1	
UEL305-015D1W3	P305D1		
UEL305-100D1W3	P305D1		
UEL306D1W3	P306D1	1.9	
UEL306-101D1W3	P306D1		
UEL306-102D1W3	P306D1	4.2	
UEL306-103D1W3	P306D1		
UEL307D1W3	P307D1	2.9	
UEL307-104D1W3	P307D1		
UEL307-105D1W3	P307D1	6.4	
UEL307-106D1W3	P307D1		
UEL307-107D1W3	P307D1		
UEL308D1W3	P308D1	3.1	
UEL308-108D1W3	P308D1	6.8	
UEL308-109D1W3	P308D1		
UEL309D1W3	P309D1	4.3	
UEL309-110D1W3	P309D1		
UEL309-111D1W3	P309D1	9.5	
UEL309-112D1W3	P309D1		
UEL310D1W3	P310D1	6.0	
UEL310-113D1W3	P310D1		
UEL310-114D1W3	P310D1	13	
UEL310-115D1W3	P310D1		
UEL311D1W3	P311D1	7.7	
UEL311-200D1W3	P311D1		
UEL311-201D1W3	P311D1	17	
UEL311-202D1W3	P311D1		
UEL311-203D1W3	P311D1		

Pillow blocks cast housing
Eccentric locking collar type



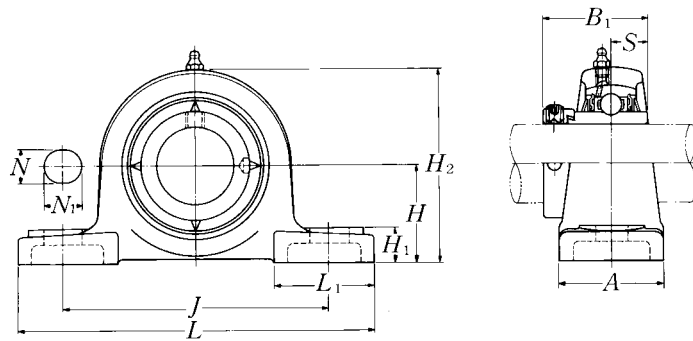
Shaft dia.	Unit number ¹⁾	Nominal dimensions											Bolt size
		mm					inch						
mm inch		H	L	J	A	N	N _i	H ₁	H ₂	L ₁	B ₁	S	mm inch
60	UELP312D1W3	85	330	250	85	25	38	32	165	95	79.4	30.95	M20
2 1/4	UELP312-204D1W3												
2 7/8	UELP312-205D1W3	3 1/32	13	9 3/32	3 1/32	1 1/32	1 1/2	1 1/4	6 1/2	3 7/8	3.126	1.219	#4
2 7/8	UELP312-206D1W3												
2 7/8	UELP312-207D1W3												
65	UELP313D1W3	90	340	260	90	25	38	33	176	105	85.7	32.55	M20
2 1/2	UELP313-208D1W3												
2 7/8	UELP313-209D1W3	3 3/64	13 3/8	10 1/4	3 1/32	1 1/32	1 1/2	1 3/16	6 1/16	4 1/8	3.374	1.281	#4
2 7/8	UELP313-210D1W3												
70	UELP314D1W3	95	360	280	90	27	40	35	187	105	92.1	34.15	M22
2 7/8	UELP314-210D1W3												
2 1 1/8	UELP314-211D1W3	3 5/64	14 7/16	11 1/32	3 1/32	1 1/16	1 1/16	1 3/8	7 7/8	4 1/8	3.626	1.344	#8
2 7/8	UELP314-212D1W3												
75	UELP315D1W3	100	380	290	100	27	40	35	198	110	100	37.3	M22
2 1 7/8	UELP315-213D1W3												
2 7/8	UELP315-214D1W3	3 1/16	14 1/32	11 1/32	3 1/16	1 1/16	1 1/16	1 3/8	7 3/32	4 1/32	3.937	1.469	#8
2 1 7/8	UELP315-215D1W3												
3	UELP315-300D1W3												
80	UELP316D1W3	106	400	300	110	27	40	40	210	110	106.4	40.5	M22
3 1/8	UELP316-301D1W3												
3 1/8	UELP316-302D1W3	4 1/64	15 3/4	11 1/16	4 1/32	1 1/16	1 1/16	1 1/16	8 3/32	4 1/32	4.189	1.594	#8
3 7/8	UELP316-303D1W3												
85	UELP317D1W3	112	420	320	110	33	45	40	220	120	109.5	42.05	M27
3 1/4	UELP317-304D1W3												
3 7/8	UELP317-305D1W3	4 1/32	16 1/32	12 1/32	4 1/32	1 1/16	1 3/32	1 1/16	8 1/32	4 3/32	4.311	1.656	1
3 7/8	UELP317-307D1W3												
90	UELP318D1W3	118	430	330	110	33	45	45	235	120	115.9	43.65	M27
3 7/8	UELP318-307D1W3												
3 1/2	UELP318-308D1W3	4 5/64	16 1/16	13	4 1/32	1 1/16	1 3/32	1 3/32	9 1/4	4 3/32	4.563	1.719	1

Remarks: 1) These numbers indicate relubricatable type. If maintenance free type is needed, please order without suffix "D1".

Note: Please refer to page 25 for size of grease fitting.

Bearing number	Housing number	Mass of unit	
		kg	lb
UEL312D1W3	P312D1	9.7	
UEL312-204D1W3	P312D1		
UEL312-205D1W3	P312D1	21	
UEL312-206D1W3	P312D1		
UEL312-207D1W3	P312D1		
UEL313D1W3	P313D1	11	
UEL313-208D1W3	P313D1	24	
UEL313-209D1W3	P313D1		
UEL314D1W3	P314D1	12	
UEL314-210D1W3	P314D1		
UEL314-211D1W3	P314D1	26	
UEL314-212D1W3	P314D1		
UEL315D1W3	P315D1	15	
UEL315-213D1W3	P315D1		
UEL315-214D1W3	P315D1	33	
UEL315-215D1W3	P315D1		
UEL315-300D1W3	P315D1		
UEL316D1W3	P316D1	19	
UEL316-301D1W3	P316D1		
UEL316-302D1W3	P316D1	42	
UEL316-303D1W3	P316D1		
UEL317D1W3	P317D1	21	
UEL317-304D1W3	P317D1		
UEL317-305D1W3	P317D1	46	
UEL317-307D1W3	P317D1		
UEL318D1W3	P318D1	25	
UEL318-307D1W3	P318D1	55	
UEL318-308D1W3	P318D1		

Pillow blocks cast housing
Eccentric locking collar type



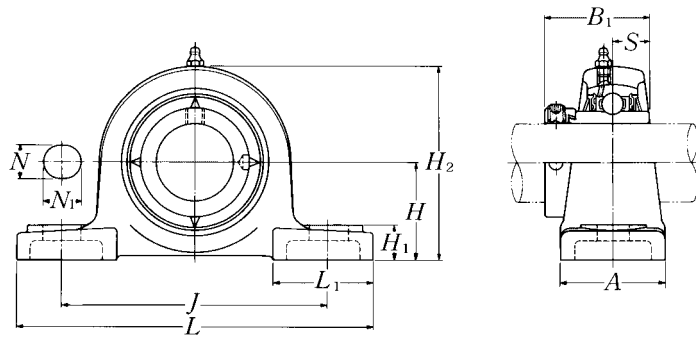
Shaft dia.	Unit number ¹⁾	Nominal dimensions											Bolt size
		mm						inch					
mm inch		H	L	J	A	N	N ₁	H ₁	H ₂	L ₁	B ₁	S	mm inch
95	UERP319D1W3	125	470	360	120	36	50	45	250	125	122.3	38.9	M30
3 ^{3/8}	UERP319-310D1W3												
3 ^{11/16}	UERP319-311D1W3	4 ^{1/64}	18 ^{1/2}	14 ^{1/16}	4 ^{3/32}	1 ^{1/32}	1 ^{1/32}	1 ^{3/32}	9 ^{3/32}	4 ^{3/32}	4.815	1.531	1 ^{1/8}
3 ^{7/8}	UERP319-312D1W3												
100	UERP320D1W3	140	490	380	120	36	50	50	275	130	128.6	50	M30
3 ^{11/16}	UERP320-313D1W3												
3 ^{3/8}	UERP320-314D1W3	5 ^{3/64}	19 ^{3/32}	14 ^{1/32}	4 ^{3/32}	1 ^{1/32}	1 ^{1/32}	1 ^{1/32}	10 ^{1/16}	5 ^{1/8}	5.063	1.969	1 ^{1/8}
3 ^{1/2}	UERP320-315D1W3												
4	UERP320-400D1W3												
105	UERP321D1W3	140	490	380	120	36	50	50	280	130	139.7	48.4	M30
110	UERP322D1W3	150	520	400	140	40	55	55	300	135	141.3	49.2	M33

Remarks: 1) These numbers indicate relubricatable type. If maintenance free type is needed, please order without suffix "D1".

Note: Please refer to page 25 for size of grease fitting.

Bearing number	Housing number	Mass of unit	
		kg	lb
UEL319D1W3	P319D1	30	
UEL319-310D1W3	P319D1		
UEL319-311D1W3	P319D1	66	
UEL319-312D1W3	P319D1		
UEL320D1W3	P320D1	37	
UEL320-313D1W3	P320D1		
UEL320-314D1W3	P320D1	82	
UEL320-315D1W3	P320D1		
UEL320-400D1W3	P320D1		
UEL321D1W3	P321D1	37	
UEL322D1W3	P322D1	48	

Pillow blocks cast housing low center height
Eccentric locking collar type



Shaft dia.	Unit number ¹⁾²⁾³⁾	Nominal dimensions											Bolt size
		mm					inch						
mm inch		H	L	J	A	N	N _i	H ₁	H ₂	L ₁	B ₁	S	mm inch
20 #4	UELPL204D1W3 UELPL204-012D1W3	31.75 1 1/4	127 5	95 3 3/4	38 1 1/2	13 1/2	16 5/8	14 1/2	64 2 1/2	42 1 3/4	43.7 1.720	17.1 0.673	M10 #8
25 1 1/8 #8 1 1/8 1	UELPL205D1W3 UELPL205-013D1W3 UELPL205-014D1W3 UELPL205-015D1W3 UELPL205-100D1W3	33.34 1 1/8	140 5 1/2	105 4 1/8	38 1 1/2	13 1/2	16 5/8	15 1 1/8	68 2 11/16	42 1 3/4	44.4 1.748	17.5 0.689	M10 #8
30 1 1/8 1 1/8 1 3/8 1 1/4	UELPL206D1W3 UELPL206-101D1W3 UELPL206-102D1W3 UELPL206-103D1W3 UELPL206-104D1W3	39.69 1 5/8	165 6 1/2	121 4 3/4	48 1 7/8	17 1 1/8	20 3/4	17 1 1/8	80 3 1/8	54 2 1/8	48.4 1.906	18.3 0.720	M14 1 1/2
35 1 1/4 1 3/8 1 3/8 1 7/8	UELPL207D1W3 UELPL207-104D1W3 UELPL207-105D1W3 UELPL207-106D1W3 UELPL207-107D1W3	46.04 1 7/8	167 6 5/8	127 5	48 1 7/8	17 1 1/8	20 3/4	18 3/4	91 3 5/8	54 2 1/8	51.1 2.012	18.8 0.740	M14 1 1/2
45 1 3/8 1 11/16 1 3/4	UELPL209D1W3 UELPL209-110D1W3 UELPL209-111D1W3 UELPL209-112D1W3	52.39 2 1/8	190 7 1/2	146 5 3/4	54 2 1/8	17 1 1/8	20 3/4	20 3/4	104 4 1/8	60 2 3/8	56.3 2.217	21.4 0.843	M14 1 1/2
50 1 11/16 1 3/8 1 11/16 2	UELPL210D1W3 UELPL210-113D1W3 UELPL210-114D1W3 UELPL210-115D1W3 UELPL210-200D1W3	55.56 2 1/8	206 8 1/8	159 6 1/4	60 2 3/8	20 3/4	23 1 1/8	21 1 1/8	112 4 1/2	65 2 1/4	62.7 2.469	24.6 0.969	M16 3/8

Remarks: 1) These numbers indicate relubricatable type. If maintenance free type is needed, please order without suffix "D1"

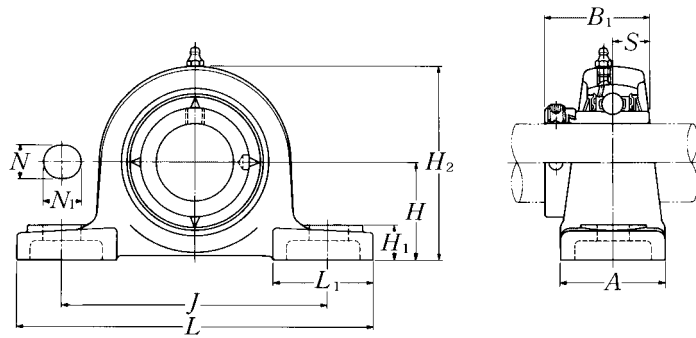
2) UELPL204 and UELPL205 has solid bases.

3) UELPL208 has the same dimension as UELP208 shown in page 174.

Note: Please refer to page 25 for size of grease fitting.

Bearing number	Housing number	Mass of unit	
		kg	lb
UEL204D1W3 UEL204-012D1W3	PL204D1 PL204D1	0.7 1.5	
UEL205D1W3 UEL205-013D1W3 UEL205-014D1W3 UEL205-015D1W3 UEL205-100D1W3	PL205D1 PL205D1 PL205D1 PL205D1 PL205D1	0.8 1.8	
UEL206D1W3 UEL206-101D1W3 UEL206-102D1W3 UEL206-103D1W3 UEL206-104D1W3	PL206D1 PL206D1 PL206D1 PL206D1 PL206D1	1.4 3.1	
UEL207D1W3 UEL207-104D1W3 UEL207-105D1W3 UEL207-106D1W3 UEL207-107D1W3	PL207D1 PL207D1 PL207D1 PL207D1 PL207D1	1.7 3.7	
UEL209D1W3 UEL209-110D1W3 UEL209-111D1W3 UEL209-112D1W3	PL209D1 PL209D1 PL209D1 PL209D1	2.3 5.1	
UEL210D1W3 UEL210-113D1W3 UEL210-114D1W3 UEL210-115D1W3 UEL210-200D1W3	PL210D1 PL210D1 PL210D1 PL210D1 PL210D1	2.7 6.0	

Pillow blocks cast housing low center height
Eccentric locking collar type



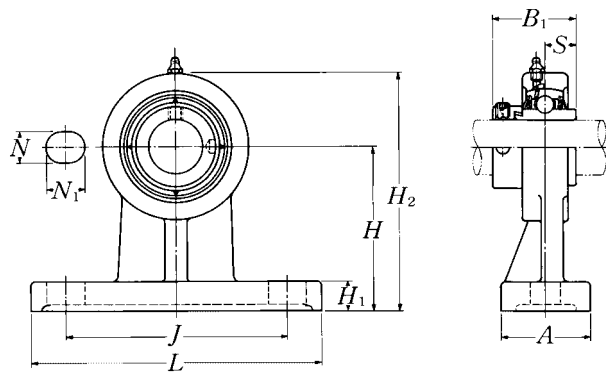
Shaft dia.	Unit number ¹⁾²⁾³⁾	Nominal dimensions											Bolt size
		mm						inch					
mm inch		<i>H</i>	<i>L</i>	<i>J</i>	<i>A</i>	<i>N</i>	<i>N₁</i>	<i>H₁</i>	<i>H₂</i>	<i>L₁</i>	<i>B₁</i>	<i>S</i>	mm inch
55	UELPL211D1W3	61.91	219	171	60	20	23	23	124	65	71.4	27.8	M16
2	UELPL211-200D1W3												
2 1/16	UELPL211-201D1W3	2 1/16	8 5/8	6 3/32	2 3/8	3/32	3/32	3/32	4 8/8	2 1/16	2.811	1.094	5/8
2 1/8	UELPL211-202D1W3												
2 3/16	UELPL211-203D1W3												
60	UELPL212D1W3	68.26	241	184	70	20	23	25	136	70	77.8	31	M16
2 1/4	UELPL212-204D1W3												
2 3/16	UELPL212-205D1W3	2 1/16	9 1/2	7 1/4	2 3/4	3/32	3/32	1/32	5 1/32	2 3/4	3.063	1.220	5/8
2 3/8	UELPL212-206D1W3												
2 7/16	UELPL212-207D1W3												

Remarks: 1) These numbers indicate relubricatable type. If maintenance free type is needed, please order without suffix "D1".

Note: Please refer to page 25 for size of grease fitting.

Bearing number	Housing number	Mass of unit	
		kg	lb
UEL211D1W3	PL211D1	3.4	
UEL211-200D1W3	PL211D1		
UEL211-201D1W3	PL211D1	7.5	
UEL211-202D1W3	PL211D1		
UEL211-203D1W3	PL211D1		
UEL212D1W3	PL212D1	4.9	
UEL212-204D1W3	PL212D1		
UEL212-205D1W3	PL212D1	11	
UEL212-206D1W3	PL212D1		
UEL212-207D1W3	PL212D1		

Pillow blocks cast housing high center height
Eccentric locking collar type

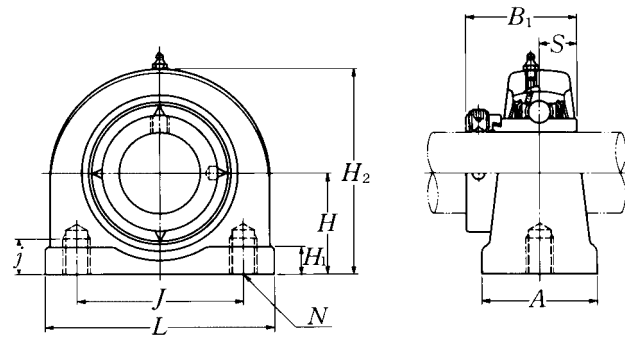


Shaft dia.	Unit number ¹⁾	Nominal dimensions										Bolt size	Bearing number
		mm					inch						
		H	L	J	A	N	N ₁	H ₁	H ₂	B ₁	S		
20	UELHP204D1W3 UELHP204-012D1W3	70	127	95	40	13	19	13	101	43.7	17.1	M10	UEL204D1W3 UEL204-012D1W3
#4		2#4	5	3#4	1(1/6)	1/2	#4	1/2	3#1/32	1.720	0.673	#8	
25	UELHP205D1W3 UELHP205-013D1W3 UELHP205-014D1W3 UELHP205-015D1W3 UELHP205-100D1W3	80	142	105	50	13	19	13	114	44.4	17.5	M10	UEL205D1W3 UEL205-013D1W3 UEL205-014D1W3 UEL205-015D1W3 UEL205-100D1W3
1#7/6 &8 1#7/6 1		3#3/2	5!(3/2)	4!8	1#1/32	1/2	#4	1/2	4!2	1.748	0.689	#8	
30	UELHP206D1W3 UELHP206-101D1W3 UELHP206-102D1W3 UELHP206-103D1W3 UELHP206-104D1W3	90	165	120	50	17	21	16	130	48.4	18.3	M14	UEL206D1W3 UEL206-101D1W3 UEL206-102D1W3 UEL206-103D1W3 UEL206-104D1W3
1!7/6 1!8 1#7/6 1!4		3#5/64	6!2	4#3/2	1#1/32	3/32	1#7/6	5/8	5!8	1.906	0.720	1/2	
35	UELHP207D1W3 UELHP207-104D1W3 UELHP207-105D1W3 UELHP207-106D1W3 UELHP207-107D1W3	95	166	127	60	17	21	18	140	51.1	18.8	M14	UEL207D1W3 UEL207-104D1W3 UEL207-105D1W3 UEL207-106D1W3 UEL207-107D1W3
1!4 1#7/6 1#8 1&7/6		3\$&64	6!&3/2	5	2#8	3/32	1#7/6	3/32	5!2	2.012	0.740	1/2	
40	UELHP208D1W3 UELHP208-108D1W3 UELHP208-109D1W3	100	184	136	70	17	21	20	150	56.3	21.4	M14	UEL208D1W3 UEL208-108D1W3 UEL208-109D1W3
1!2 1(7/6		3!7/6	7!4	5!1/32	2#4	3/32	1#7/6	3/32	5@3/2	2.217	0.843	1/2	
45	UELHP209D1W3 UELHP209-110D1W3 UELHP209-111D1W3 UELHP209-112D1W3	105	190	146	70	17	22	20	158	56.3	21.4	M14	UEL209D1W3 UEL209-110D1W3 UEL209-111D1W3 UEL209-112D1W3
1#8 1!!7/6 1#4		4(64	7!%3/2	5#4	2#4	3/32	8/8	3/32	6&3/2	2.217	0.843	1/2	
50	UELHP210D1W3 UELHP210-113D1W3 UELHP210-114D1W3 UELHP210-115D1W3 UELHP210-200D1W3	110	206	159	70	20	22	22	165	62.7	24.6	M16	UEL210D1W3 UEL210-113D1W3 UEL210-114D1W3 UEL210-115D1W3 UEL210-200D1W3
1!#7/6 1&8 1!%7/6 2		4@!64	8!8	6!4	2#4	3/32	8/8	8/8	6!2	2.469	0.969	5/8	

Remarks: 1) These numbers indicate relubricatable type. If maintenance free type is needed, please order without suffix "D1".
Note: Please refer to page 25 for size of grease fitting.

Housing number	Mass of unit
	kg lb
HP204D1	1.1
HP204D1	2.4
HP205D1	1.3
HP205D1	
HP205D1	2.9
HP205D1	
HP205D1	
HP206D1	1.9
HP206D1	
HP206D1	4.2
HP206D1	
HP206D1	
HP207D1	2.5
HP207D1	
HP207D1	5.5
HP207D1	
HP207D1	
HP208D1	3.5
HP208D1	7.7
HP208D1	
HP209D1	3.9
HP209D1	
HP209D1	8.6
HP209D1	
HP210D1	4.3
HP210D1	
HP210D1	9.5
HP210D1	
HP210D1	

Pillow blocks cast housing
Eccentric locking collar type

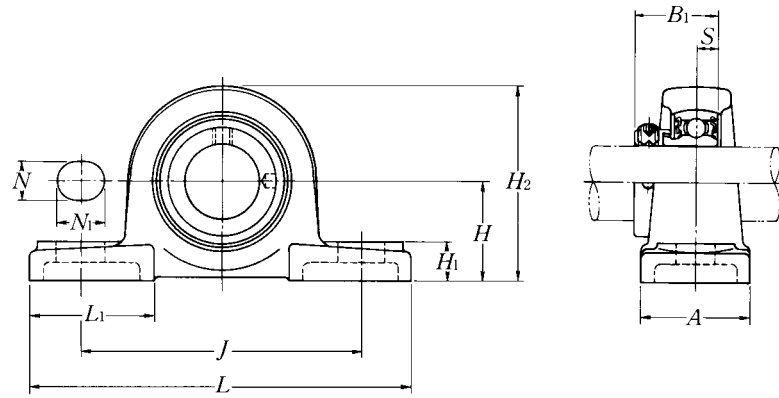


Shaft dia.	Unit number ¹⁾	Nominal dimensions										Bearing number
		mm					inch					
		H	L	J	A	j	H ₁	H ₂	B ₁	S	N	
20 #4	UELUP204D1W3 UELUP204-012D1W3	30.2 1#7/6	76 3	52 2!7/6	38 1!2	13 !2	11 87/6	62 2&7/6	43.7 1.720	17.1 0.673	M10 × 1.5	UEL204D1W3 UEL204-012D1W3
25 1#7/6 8/8 1%7/6 1	UELUP205D1W3 UELUP205-013D1W3 UELUP205-014D1W3 UELUP205-015D1W3 UELUP205-100D1W3	36.5 1#7/6	84 3%7/6	56 2&3/2	38 1!2	15 !(3/2	12 !%3/2	72 2&3/2	44.4 1.748	17.5 0.689	M10 × 1.5	UEL205D1W3 UEL205-013D1W3 UEL205-014D1W3 UEL205-015D1W3 UEL205-100D1W3
30 1!7/6 1!8 1#7/6 1!4	UELUP206D1W3 UELUP206-101D1W3 UELUP206-102D1W3 UELUP206-103D1W3 UELUP206-104D1W3	42.9 1!17/6	94 3!17/6	66 2!(3/2	48 1&8	18 @#3/2	12 !%3/2	84 3%7/6	48.4 1.906	18.3 0.720	M14 × 2	UEL206D1W3 UEL206-101D1W3 UEL206-102D1W3 UEL206-103D1W3 UEL206-104D1W3
35 1!4 1%7/6 1#8 1&7/6	UELUP207D1W3 UELUP207-104D1W3 UELUP207-105D1W3 UELUP207-106D1W3 UELUP207-107D1W3	47.6 1&8	110 4!13/2	80 3%3/2	48 1&8	20 @%3/2	13 !2	95 3#4	51.1 2.012	18.8 0.740	M14 × 2	UEL207D1W3 UEL207-104D1W3 UEL207-105D1W3 UEL207-106D1W3 UEL207-107D1W3
40 1!2 1(7/6	UELUP208D1W3 UELUP208-108D1W3 UELUP208-109D1W3	49.2 1!7/6	116 4(7/6	84 3%7/6	54 2!8	20 @%3/2	13 !2	100 3!7/6	56.3 2.217	21.4 0.843	M14 × 2	UEL208D1W3 UEL208-108D1W3 UEL208-109D1W3
45 1#8 1!17/6 1#4	UELUP209D1W3 UELUP209-110D1W3 UELUP209-111D1W3 UELUP209-112D1W3	54.2 2!8	120 4@#3/2	90 3!&3/2	54 2!8	25 #!3/2	13 !2	108 4!4	56.3 2.217	21.4 0.843	M14 × 2	UEL209D1W3 UEL209-110D1W3 UEL209-111D1W3 UEL209-112D1W3
50 1!#7/6 1&8 1!%7/6 2	UELUP210D1W3 UELUP210-113D1W3 UELUP210-114D1W3 UELUP210-115D1W3 UELUP210-200D1W3	57.2 2!4	130 5!8	94 3!17/6	60 2#8	25 #!3/2	14 (7/6	116 4(7/6	62.7 2.469	24.6 0.969	M16 × 2	UEL210D1W3 UEL210-113D1W3 UEL210-114D1W3 UEL210-115D1W3 UEL210-200D1W3

Remarks: 1) These numbers indicate relubricatable type. If maintenance free type is needed, please order without suffix "D1".
Note: Please refer to page 25 for size of grease fitting.

Housing number	Mass of unit	
	kg	lb
UP204D1	0.7	
UP204D1	1.5	
UP205D1	0.9	
UP205D1		
UP205D1	2.0	
UP205D1		
UP205D1		
UP206D1	1.3	
UP206D1		
UP206D1	2.9	
UP206D1		
UP206D1		
UP207D1	1.8	
UP207D1		
UP207D1	4.0	
UP207D1		
UP207D1		
UP208D1	2.1	
UP208D1	4.6	
UP208D1		
UP209D1	2.4	
UP209D1		
UP209D1	5.3	
UP209D1		
UP210D1	3.1	
UP210D1		
UP210D1	6.8	
UP210D1		
UP210D1		

Pillow blocks cast housing low center height
Eccentric locking collar type

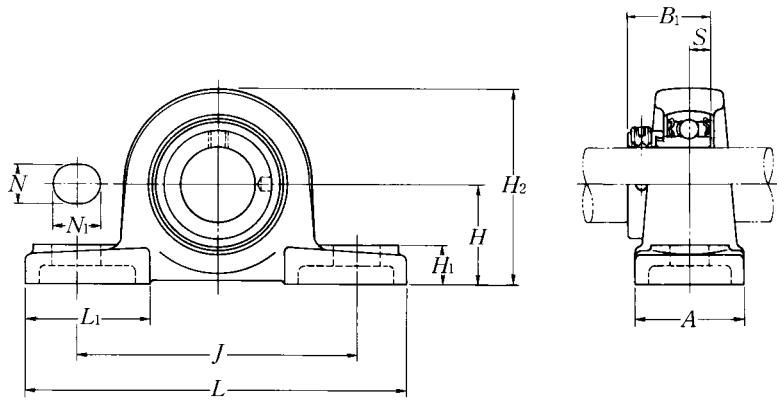


Shaft dia.	Unit number ^{1) 2)}	Nominal dimensions											Bolt size
		mm					inch						
mm inch		H	L	J	A	N	N _i	H ₁	H ₂	L ₁	B ₁	S	mm inch
12 1/2	AELPL201W3 AELPL201-008W3	26.99 1 1/8	121 4 3/4	89 3 1/2	35 1 3/8	11 3/8	14 1/2	13 1/2	54 2 1/8	40 1 1/8	28.6 1.126	6.5 0.256	M10 #8
15 3/8 5/8	AELPL202W3 AELPL202-009W3 AELPL202-010W3	26.99 1 1/8	121 4 3/4	89 3 1/2	35 1 3/8	11 3/8	14 1/2	13 1/2	54 2 1/8	40 1 1/8	28.6 1.126	6.5 0.256	M10 #8
17 1 1/8	AELPL203W3 AELPL203-011W3	26.99 1 1/8	121 4 3/4	89 3 1/2	35 1 3/8	11 3/8	14 1/2	13 1/2	54 2 1/8	40 1 1/8	28.6 1.126	6.5 0.256	M10 #8
20 3/4	AELPL204W3 AELPL204-012W3	31.75 1 1/4	127 5	95 3 3/4	38 1 1/2	13 1/2	16 5/8	14 1/2	64 2 1/2	42 1 3/4	31 1.220	7.5 0.295	M10 #8
25 1 3/8 1 1/2 1 3/8 1	AELPL205W3 AELPL205-013W3 AELPL205-014W3 AELPL205-015W3 AELPL205-100W3	33.34 1 3/8	140 5 1/2	105 4 1/8	38 1 1/2	13 1/2	16 5/8	15 1 1/8	68 2 11/8	42 1 3/4	31 1.220	7.5 0.295	M10 #8
30 1 1/8 1 1/8 1 3/8 1 1/4	AELPL206W3 AELPL206-101W3 AELPL206-102W3 AELPL206-103W3 AELPL206-104W3	39.69 1 5/8	165 6 1/2	121 4 3/4	48 1 7/8	17 5/8	20 3/4	17 5/8	80 3 1/8	54 2 1/8	35.7 1.406	9 0.354	M14 1/2
35 1 1/4 1 3/8 1 3/8 1 7/8	AELPL207W3 AELPL207-104W3 AELPL207-105W3 AELPL207-106W3 AELPL207-107W3	46.04 1 7/8	167 6 1/8	127 5	48 1 7/8	17 5/8	20 3/4	18 3/4	91 3 1/2	54 2 1/8	38.9 1.531	9.5 0.374	M14 1/2

Remarks: 1) AELPL201 to AELPL205 has solid base.
2) If relubricatable type is needed, please order with suffix "D1".

Bearing number ²⁾	Housing ²⁾ number	Mass of unit	
		kg	lb
AEL201W3	PL201	0.6	
AEL201-008W3	PL201	1.3	
AEL202W3	PL201	0.6	
AEL202-009W3	PL201	1.3	
AEL202-010W3	PL201		
AEL203W3	PL201	0.6	
AEL203-011W3	PL201	1.3	
AEL204W3	PL204	0.7	
AEL204-012W3	PL204	1.5	
AEL205W3	PL205	0.8	
AEL205-013W3	PL205		
AEL205-014W3	PL205	1.8	
AEL205-015W3	PL205		
AEL205-100W3	PL205		
AEL206W3	PL206	1.2	
AEL206-101W3	PL206		
AEL206-102W3	PL206	2.6	
AEL206-103W3	PL206		
AEL206-104W3	PL206		
AEL207W3	PL207	1.6	
AEL207-104W3	PL207		
AEL207-105W3	PL207	3.5	
AEL207-106W3	PL207		
AEL207-107W3	PL207		

Pillow blocks cast housing low center height
Eccentric locking collar type

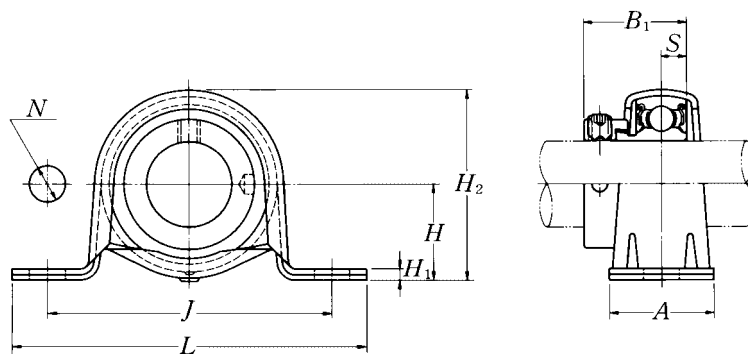


Shaft dia.	Unit number ^{1) 2)}	Nominal dimensions											Bolt size
		mm					inch						
mm inch		H	L	J	A	N	N ₁	H ₁	H ₂	L ₁	B ₁	S	mm inch
12 1/2	JELPL201W3 JELPL201-008W3	26.99 1 1/8	121 4 7/8	89 3 1/2	35 1 3/8	11 7/8	14 1 1/8	13 1/2	54 2 1/8	40 1 1/8	28.6 1.126	6.5 0.256	M10 #8
15 3/8 5/8	JELPL202W3 JELPL202-009W3 JELPL202-010W3	26.99 1 1/8	121 4 7/8	89 3 1/2	35 1 3/8	11 7/8	14 1 1/8	13 1/2	54 2 1/8	40 1 1/8	28.6 1.126	6.5 0.256	M10 #8
17 1 1/8	JELPL203W3 JELPL203-011W3	26.99 1 1/8	121 4 7/8	89 3 1/2	35 1 3/8	11 7/8	14 1 1/8	13 1/2	54 2 1/8	40 1 1/8	28.6 1.126	6.5 0.256	M10 #8
20 3/4	JELPL204W3 JELPL204-012W3	31.75 1 1/4	127 5	95 3 7/8	38 1 1/2	13 1/2	16 5/8	14 1 1/8	64 2 1/2	42 1 3/4	31 1.220	7.5 0.295	M10 #8
25 1 3/8 1 1/2 1 3/8 1	JELPL205W3 JELPL205-013W3 JELPL205-014W3 JELPL205-015W3 JELPL205-100W3	33.34 1 3/8	140 5 1/2	105 4 1/8	38 1 1/2	13 1/2	16 5/8	15 1 1/8	68 2 11/8	42 1 3/4	31 1.220	7.5 0.295	M10 #8
30 1 1/8 1 1/8 1 3/8 1 1/4	JELPL206W3 JELPL206-101W3 JELPL206-102W3 JELPL206-103W3 JELPL206-104W3	39.69 1 5/8	165 6 1/2	121 4 7/8	48 1 7/8	17 1 1/8	20 1 3/8	17 1 1/8	80 3 1/8	54 2 1/8	35.7 1.406	9 0.354	M14 1/2
35 1 1/4 1 3/8 1 3/8 1 7/8 1 7/8	JELPL207W3 JELPL207-104W3 JELPL207-105W3 JELPL207-106W3 JELPL207-107W3	46.04 1 7/8	167 6 5/8	127 5	48 1 7/8	17 1 1/8	20 1 3/8	18 1 1/4	91 3 5/8	54 2 1/8	38.9 1.531	9.5 0.374	M14 1/2

Remarks: 1) JELPL201 to JELPL205 has solid base.
2) If relubricatable type is needed, please order with suffix "D1".

Bearing number ²⁾	Housing ²⁾ number	Mass of unit	
		kg	lb
JEL201W3	PL201	0.6	
JEL201-008W3	PL201	1.3	
JEL202W3	PL201	0.6	
JEL202-009W3	PL201	1.3	
JEL202-010W3	PL201		
JEL203W3	PL201	0.6	
JEL203-011W3	PL201	1.3	
JEL204W3	PL204	0.7	
JEL204-012W3	PL204	1.5	
JEL205W3	PL205	0.8	
JEL205-013W3	PL205		
JEL205-014W3	PL205	1.8	
JEL205-015W3	PL205		
JEL205-100W3	PL205		
JEL206W3	PL206	1.2	
JEL206-101W3	PL206		
JEL206-102W3	PL206	2.6	
JEL206-103W3	PL206		
JEL206-104W3	PL206		
JEL207W3	PL207	1.6	
JEL207-104W3	PL207		
JEL207-105W3	PL207	3.5	
JEL207-106W3	PL207		
JEL207-107W3	PL207		

Pillow blocks pressed steel housing
Eccentric locking collar type

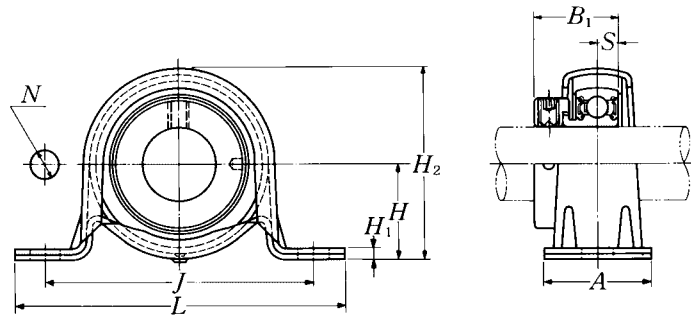


Shaft dia.	Unit number	Nominal dimensions									Bolt size	Bearing number
		mm		inch		mm						
mm inch		H	L	J	A	N	H ₁	H ₂	B ₁	S	mm inch	
12 1/2	AELPP201W3	22.2	86	68	25	9.5	3.2	43.8	28.6	6.5	M 8	AEL201W3
	AELPP201-008W3	8/8	3#8	2 1/16	1 1/2	3/8	0.126	1 11/32	1.126	0.256	3/16	AEL201-008W3
15 5/8 3/4	AELPP202W3	22.2	86	68	25	9.5	3.2	43.8	28.6	6.5	M 8	AEL202W3
	AELPP202-009W3	8/8	3#8	2 1/16	1 1/2	3/8	0.126	1 11/32	1.126	0.256	3/16	AEL202-009W3
	AELPP202-010W3											AEL202-010W3
17 1 1/16	AELPP203W3	22.2	86	68	25	9.5	3.2	43.8	28.6	6.5	M 8	AEL203W3
	AELPP203-011W3	8/8	3#8	2 1/16	1 1/2	3/8	0.126	1 11/32	1.126	0.256	3/16	AEL203-011W3
20 3/4	AELPP204W3	25.4	98	76	32	9.5	3.2	50.5	31	7.5	M 8	AEL204W3
	AELPP204-012W3	1	3 11/32	3	1 1/4	3/8	0.126	2	1.220	0.295	3/16	AEL204-012W3
25 1 3/16 3/4 1 1/16 1	AELPP205W3	28.6	108	86	32	11.5	4	56.6	31	7.5	M10	AEL205W3
	AELPP205-013W3											AEL205-013W3
	AELPP205-014W3	1 1/8	4 1/4	3 3/8	1 1/4	11/16	0.157	2 1/8	1.220	0.295	3/8	AEL205-014W3
	AELPP205-015W3											AEL205-015W3
	AELPP205-100W3											AEL205-100W3
30 1 1/16 1 1/8 1 3/16 1 1/4	AELPP206W3	33.3	117	95	38	11.5	4	66.3	35.7	9	M10	AEL206W3
	AELPP206-101W3											AEL206-101W3
	AELPP206-102W3	1 1/16	4 1/32	3 3/4	1 1/2	11/16	0.157	2 3/8	1.406	0.354	3/8	AEL206-102W3
	AELPP206-103W3											AEL206-103W3
	AELPP206-104W3											AEL206-104W3
35 1 1/4 1 3/16 1 3/8 1 7/16	AELPP207W3	39.7	129	106	42	11.5	4.6	78	38.9	9.5	M10	AEL207W3
	AELPP207-104W3											AEL207-104W3
	AELPP207-105W3	1 1/16	5 1/32	4 1/16	1 11/32	11/16	0.181	3 1/16	1.531	0.374	3/8	AEL207-105W3
	AELPP207-106W3											AEL207-106W3
	AELPP207-107W3											AEL207-107W3

Remarks: 1) The permissible load only applies in applications where the load is stable and the speed is 2400 rpm or less.
The mounting surface should be flat.

Housing number	Mass of unit		Max. load ¹⁾ recommended	
	kg	lb	N	lbf
			radial	axial
PP203	0.2		2 000	800
PP203	0.4		440	160
PP203	0.2		2 000	800
PP203	0.4		440	160
PP203	0.2		2 000	800
PP203	0.4		440	160
PP204	0.2		2 500	1 000
PP204	0.4		550	200
PP205	0.3		3 500	1 400
PP205				
PP205	0.7		770	280
PP205				
PP205				
PP206	0.5		4 000	1 600
PP206				
PP206	1.1		880	320
PP206				
PP206				
PP207	0.7		4 500	1 800
PP207				
PP207	1.5		990	360
PP207				
PP207				

Pillow blocks pressed steel housing with rubber ring
Eccentric locking collar type

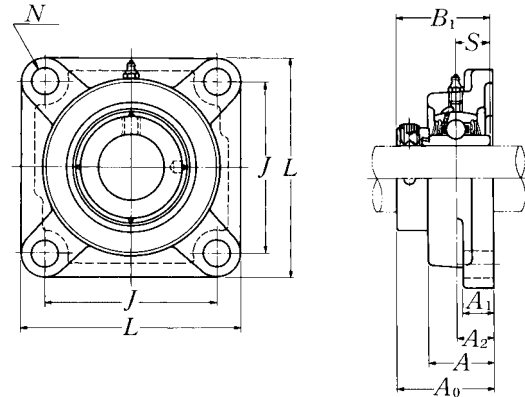


Shaft dia. mm inch	Unit number	Nominal dimensions									Bolt size mm inch	Bearing number
		H	L	J	A	N	H ₁	H ₂	B ₁	S		
12 1/2	AELRPP201W3	25.4	98	76	32	9.5	3.2	50.5	28.6	6.5	M 8 5/16	AEL201W3
	AELRPP201-008W3	1	3 7/8	3	1 1/4	#8	0.126	2	1.126	0.256		AEL201-008W3
15 5/8 3/4	AELRPP202W3	25.4	98	76	32	9.5	3.2	50.5	28.6	6.5	M 8 5/16	AEL202W3
	AELRPP202-009W3	1	3 7/8	3	1 1/4	#8	0.126	2	1.126	0.256		AEL202-009W3
	AELRPP202-010W3											AEL202-010W3
17 1 1/8	AELRPP203W3	25.4	98	76	32	9.5	3.2	50.5	28.6	6.5	M 8 5/16	AEL203W3
	AELRPP203-011W3	1	3 7/8	3	1 1/4	#8	0.126	2	1.126	0.256		AEL203-011W3
20 3/4	AELRPP204W3	28.6	108	86	32	11.5	4	56.6	31	7.5	M10 #8	AEL204W3
	AELRPP204-012W3	1 1/8	4 1/4	3 3/8	1 1/4	3/8	0.157	2 3/8	1.220	0.295		AEL204-012W3
25 1 3/8 1 3/4 1 5/8 1	AELRPP205W3	33.3	117	95	38	11.5	4	66.3	31	7.5	M10 #8	AEL205W3
	AELRPP205-013W3											AEL205-013W3
	AELRPP205-014W3	1 1/8	4 1/2	3 3/4	1 1/2	3/8	0.157	2 3/8	1.220	0.295		AEL205-014W3
	AELRPP205-015W3											AEL205-015W3
AELRPP205-100W3											AEL205-100W3	
30 1 1/8 1 1/4 1 3/8 1 1/2	AELRPP206W3	39.7	129	106	42	11.5	4.6	78	35.7	9	M10 #8	AEL206W3
	AELRPP206-101W3											AEL206-101W3
	AELRPP206-102W3	1 3/8	5 1/8	4 1/4	1 3/4	3/8	0.181	3 1/8	1.406	0.354		AEL206-102W3
	AELRPP206-103W3											AEL206-103W3
AELRPP206-104W3											AEL206-104W3	

Remarks: 1) The permissible load only applies in applications where the load is stable and the speed is 2400 rpm or less.
The mounting surface should be flat.
2) When an anti-vibration rubber ring is used, the self alignment capability will be reduce.

Housing number	Mass of unit		Max. load ¹⁾ recommended	
	kg	lb	N	lbf
			radial	axial
PP204	0.2		1 000	200
PP204	0.4		220	40
PP204	0.2		1 000	200
PP204	0.4		220	40
PP204	0.2		1 000	200
PP204	0.4		220	40
PP205	0.3		1 150	200
PP205	0.7		250	40
PP206	0.5		1 300	200
PP206				
PP206	1.1		280	40
PP206				
PP206				
PP207	0.7		1 500	200
PP207				
PP207	1.5		330	40
PP207				
PP207				

Flanged units cast housing
Eccentric locking collar type

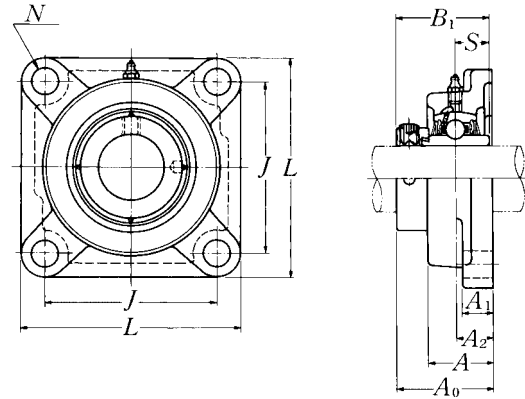


Shaft dia.	Unit number ¹⁾	Nominal dimensions										Bolt size	Bearing number
		mm					inch						
mm inch		L	J	A ₂	A ₁	A	N	A ₀	B ₁	S	mm inch		
20 #4	UELFU204D1W3 UELFU204-012D1W3	86 3#8	63.5 2 1/2	19 #4	15 1/2	29.5 1 1/2	11.5 #4	45.6 1 3/4	43.7 1.720	17.1 0.673	M10 #8	UEL204D1W3 UEL204-012D1W3	
25 1#7/8 #8 1#7/8 1	UELFU205D1W3 UELFU205-013D1W3 UELFU205-014D1W3 UELFU205-015D1W3 UELFU205-100D1W3	96 3#3/2	70 2#4	19 #4	15 1/2	30 1#7/8	11.5 #4	45.9 1 1/2	44.4 1.748	17.5 0.689	M10 #8	UEL205D1W3 UEL205-013D1W3 UEL205-014D1W3 UEL205-015D1W3 UEL205-100D1W3	
30 1#7/8 1#8 1#7/8 1 1/4	UELFU206D1W3 UELFU206-101D1W3 UELFU206-102D1W3 UELFU206-103D1W3 UELFU206-104D1W3	109 4#2	82.5 3 1/4	20 #3/2	16 #8	33 1#7/8	11.5 #4	50.1 1#3/2	48.4 1.906	18.3 0.720	M10 #8	UEL206D1W3 UEL206-101D1W3 UEL206-102D1W3 UEL206-103D1W3 UEL206-104D1W3	
35 1#4 1#7/8 1#8 1#7/8	UELFU207D1W3 UELFU207-104D1W3 UELFU207-105D1W3 UELFU207-106D1W3 UELFU207-107D1W3	118 4#1/2	92 3#8	21 #3/4	17 #3/2	36 1#3/2	14 #3/4	53.3 2#3/2	51.1 2.012	18.8 0.740	M12 1/2	UEL207D1W3 UEL207-104D1W3 UEL207-105D1W3 UEL207-106D1W3 UEL207-107D1W3	
40 1#2 1#7/8	UELFU208D1W3 UELFU208-108D1W3 UELFU208-109D1W3	131 5#3/2	101.5 4	24 1#7/8	17 #1/2	39 1#3/2	14 #3/4	58.9 2#7/8	56.3 2.217	21.4 0.843	M12 1/2	UEL208D1W3 UEL208-108D1W3 UEL208-109D1W3	
45 1#8 1 1/8 1#4	UELFU209D1W3 UELFU209-110D1W3 UELFU209-111D1W3 UELFU209-112D1W3	137 5#1/2	105 4#4	24 1#7/8	18 #3/2	40 1#7/8	16 #8	58.9 2#7/8	56.3 2.217	21.4 0.843	M14 1/2	UEL209D1W3 UEL209-110D1W3 UEL209-111D1W3 UEL209-112D1W3	
50 1 1/8 1#8 1#7/8 2	UELFU210D1W3 UELFU210-113D1W3 UELFU210-114D1W3 UELFU210-115D1W3 UELFU210-200D1W3	144 5#1/2	111 4#8	28 1#4	20 #3/2	46 1#7/8	18 #3/4	66.1 2#4	62.7 2.469	24.6 0.969	M16 #8	UEL210D1W3 UEL210-113D1W3 UEL210-114D1W3 UEL210-115D1W3 UEL210-200D1W3	

Remarks: 1) These numbers indicate relubricatable type. If maintenance free type is needed, please order without suffix "D1".
Note: Please refer to page 25 for size of grease fitting.

Housing number	Mass of unit
	kg lb
FU204D1	0.8
FU204D1	1.8
FU205D1	0.9
FU205D1	
FU205D1	2.0
FU205D1	
FU205D1	
FU206D1	1.3
FU206D1	
FU206D1	2.9
FU206D1	
FU206D1	
FU207D1	1.8
FU207D1	
FU207D1	4.0
FU207D1	
FU207D1	
FU208D1	2.1
FU208D1	4.6
FU208D1	
FU209D1	2.5
FU209D1	
FU209D1	5.5
FU209D1	
FU210D1	2.9
FU210D1	
FU210D1	6.4
FU210D1	
FU210D1	

Flanged units cast housing
Eccentric locking collar type

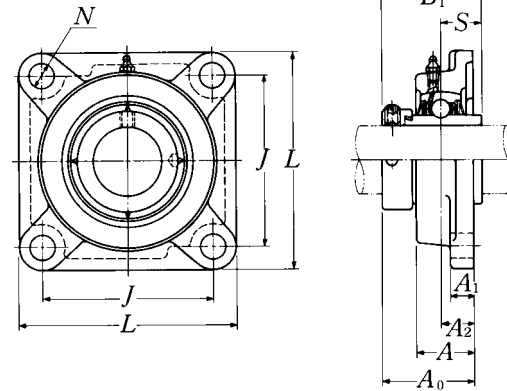


Shaft dia.	Unit number ¹⁾	Nominal dimensions										Bolt size	Bearing number
		mm					inch						
mm inch		L	J	A ₂	A ₁	A	N	A ₀	B ₁	S	mm inch		
55 2 2 1/16 2 1/8 2 3/16	UELFU211D1W3	163	130	31	21	49	18	74.6	71.4	27.8	M16 3/8	UEL211D1W3	
	UELFU211-200D1W3											UEL211-200D1W3	
	UELFU211-201D1W3	6 1/32	5 1/8	1 1/32	1 1/16	1 11/16	3/4	2 1/16	2.811	1.094		UEL211-201D1W3	
	UELFU211-202D1W3											UEL211-202D1W3	
	UELFU211-203D1W3											UEL211-203D1W3	
60 2 1/4 2 3/16 2 3/8 2 7/16	UELFU212D1W3	175	143	34	21	53	18	80.8	77.8	31	M16 3/8	UEL212D1W3	
	UELFU212-204D1W3											UEL212-204D1W3	
	UELFU212-205D1W3	6 5/8	5 3/8	1 1/32	1 1/16	2 3/32	3/4	3 3/16	3.063	1.220		UEL212-205D1W3	
	UELFU212-206D1W3											UEL212-206D1W3	
	UELFU212-207D1W3											UEL212-207D1W3	
65 2 1/2 2 1/16	UELFU213D1W3	187	149	38	22	59	20.5	89.55	85.7	34.15	M18 3/8	UEL213D1W3	
	UELFU213-208D1W3	7 3/8	5 5/16	1 1/2	1/8	2 1/16	1 1/16	3 1/32	3.374	1.344		UEL213-208D1W3	
	UELFU213-209D1W3											UEL213-209D1W3	
70 2 3/8 2 11/16 2 3/4	UELFU214D1W3	193	152	38	22	62	20.5	89.55	85.7	34.15	M18 3/8	UEL214D1W3	
	UELFU214-210D1W3											UEL214-210D1W3	
	UELFU214-211D1W3	7 1/32	5 7/16	1 1/2	1/8	2 1/16	1 1/16	3 1/32	3.374	1.344		UEL214-211D1W3	
	UELFU214-212D1W3											UEL214-212D1W3	
75 2 1/16 2 3/8 2 1/16 3	UELFU215D1W3	200	159	41	22	65	20.5	95.7	92	37.3	M18 3/8	UEL215D1W3	
	UELFU215-213D1W3											UEL215-213D1W3	
	UELFU215-214D1W3	7 3/8	6 1/16	1 1/16	1/8	2 1/16	1 1/16	3 5/16	3.622	1.469		UEL215-214D1W3	
	UELFU215-215D1W3											UEL215-215D1W3	
	UELFU215-300D1W3											UEL215-300D1W3	

Remarks: 1) These numbers indicate relubricatable type. If maintenance free type is needed, please order without suffix "D1".
Note: Please refer to page 25 for size of grease fitting.

Housing number	Mass of unit
	kg lb
FU211D1	4.2
FU211D1	
FU211D1	9.3
FU211D1	
FU211D1	
FU212D1	5.2
FU212D1	
FU212D1	11
FU212D1	
FU212D1	
FU213D1	6.1
FU213D1	13
FU213D1	
FU214D1	6.0
FU214D1	
FU214D1	13
FU214D1	
FU215D1	7.5
FU215D1	
FU215D1	17
FU215D1	
FU215D1	

Flanged units cast housing
Eccentric locking collar type

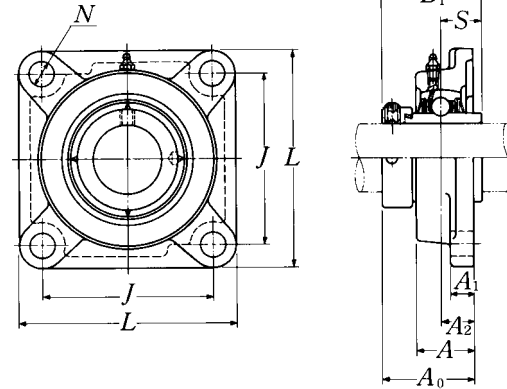


Shaft dia.	Unit number ¹⁾	Nominal dimensions										Bolt size	Bearing number
		mm					inch						
mm inch		L	J	A ₂	A ₁	A	N	A ₀	B ₁	S	mm inch		
20 #4	UELF204D1W3 UELF204-012D1W3	86 3#8	64 2#64	15 1/2	11 7/16	25.5 1	12 1/2	41.6 1 5/16	43.7 1.720	17.1 0.673	M10 #8	UEL204D1W3 UEL204-012D1W3	
25 1#7/8 #8 1#7/8 1	UELF205D1W3 UELF205-013D1W3 UELF205-014D1W3 UELF205-015D1W3 UELF205-100D1W3	95 3#4	70 2#4	16 5/8	13 1/2	27 1 1/8	12 1/2	42.9 1 11/16	44.4 1.748	17.5 0.689	M10 #8	UEL205D1W3 UEL205-013D1W3 UEL205-014D1W3 UEL205-015D1W3 UEL205-100D1W3	
30 1 1/8 1 1/8 1 1/8 1 1/4	UELF206D1W3 UELF206-101D1W3 UELF206-102D1W3 UELF206-103D1W3 UELF206-104D1W3	108 4 1/4	83 3 1/8	18 3/4	13 1/2	31 1 1/8	12 1/2	48.1 1 7/8	48.4 1.906	18.3 0.720	M10 #8	UEL206D1W3 UEL206-101D1W3 UEL206-102D1W3 UEL206-103D1W3 UEL206-104D1W3	
35 1 1/4 1 3/8 1 3/8 1 3/8	UELF207D1W3 UELF207-104D1W3 UELF207-105D1W3 UELF207-106D1W3 UELF207-107D1W3	117 4 1/2	92 3 3/8	19 3/4	15 1/2	34 1 1/2	14 1 1/4	51.3 2 1/8	51.1 2.012	18.8 0.740	M12 7/8	UEL207D1W3 UEL207-104D1W3 UEL207-105D1W3 UEL207-106D1W3 UEL207-107D1W3	
40 1 1/2 1 3/8	UELF208D1W3 UELF208-108D1W3 UELF208-109D1W3	130 5 1/8	102 4 1/4	21 3/4	15 1/2	36 1 1/2	16 1 1/4	55.9 2 1/8	56.3 2.217	21.4 0.843	M14 1/2	UEL208D1W3 UEL208-108D1W3 UEL208-109D1W3	
45 1 3/8 1 11/16 1 3/4	UELF209D1W3 UELF209-110D1W3 UELF209-111D1W3 UELF209-112D1W3	137 5 1/2	105 4 1/4	22 3/4	16 1/2	38 1 1/2	16 1 1/4	56.9 2 1/8	56.3 2.217	21.4 0.843	M14 1/2	UEL209D1W3 UEL209-110D1W3 UEL209-111 UEL209-112	
50 1 1/2 1 3/8 1 1/2 2	UELF210D1W3 UELF210-113D1W3 UELF210-114D1W3 UELF210-115D1W3 UELF210-200D1W3	143 5 3/8	111 4 3/8	22 3/4	16 1/2	40 1 3/8	16 1 1/4	60.1 2 3/8	62.7 2.469	24.6 0.969	M14 1/2	UEL210D1W3 UEL210-113D1W3 UEL210-114D1W3 UEL210-115D1W3 UEL210-200D1W3	

Remarks: 1) These numbers indicate relubricatable type. If maintenance free type is needed, please order without suffix "D1".
Note: Please refer to page 25 for size of grease fitting.

Housing number	Mass of unit	
	kg	lb
F204D1	0.7	
F204D1	1.5	
F205D1	0.8	
F205D1		1.8
F205D1		
F205D1		
F205D1		
F206D1	1.2	
F206D1		
F206D1		2.6
F206D1		
F206D1		
F207D1	1.6	
F207D1		
F207D1		3.5
F207D1		
F207D1		
F208D1	1.9	
F208D1		4.2
F208D1		
F209D1	2.3	
F209D1		
F209D1		5.1
F209D1		
F210D1	2.6	
F210D1		
F210D1		5.7
F210D1		
F210D1		

Flanged units cast housing
Eccentric locking collar type

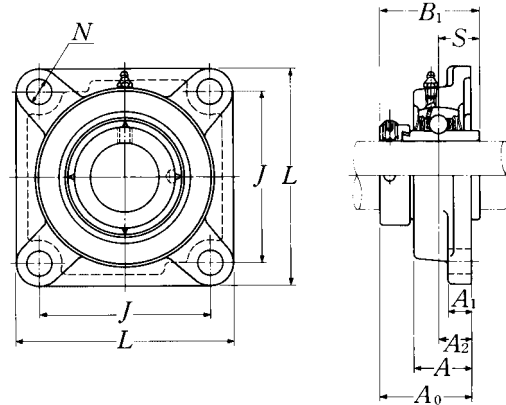


Shaft dia.	Unit number ¹⁾	Nominal dimensions										Bolt size	Bearing number
		mm					inch						
mm inch		L	J	A ₂	A ₁	A	N	A ₀	B ₁	S	mm inch		
55	UELF211D1W3	162	130	25	18	43	19	68.6	71.4	27.8	M16	UELF211D1W3	
2	UELF211-200D1W3											UELF211-200D1W3	
2 1/16	UELF211-201D1W3	6 5/8	5 1/8	1 5/16	3/4	1 11/16	3/4	2 5/16	2.811	1.094	5/8	UELF211-201D1W3	
2 1/8	UELF211-202D1W3											UELF211-202D1W3	
2 3/16	UELF211-203D1W3											UELF211-203D1W3	
60	UELF212D1W3	175	143	29	18	48	19	75.8	77.8	31	M16	UELF212D1W3	
2 1/4	UELF212-204D1W3											UELF212-204D1W3	
2 5/16	UELF212-205D1W3	6 7/8	5 5/8	1 1/4	3/4	1 7/8	3/4	2 7/8	3.063	1.220	5/8	UELF212-205D1W3	
2 3/8	UELF212-206D1W3											UELF212-206D1W3	
2 7/16	UELF212-207D1W3											UELF212-207D1W3	
65	UELF213D1W3	187	149	30	22	50	19	81.55	85.7	34.15	M16	UELF213D1W3	
2 1/2	UELF213-208D1W3											UELF213-208D1W3	
2 5/16	UELF213-209D1W3	7 3/8	5 5/8	1 1/16	7/8	1 7/8	3/4	3 1/16	3.374	1.344	5/8	UELF213-209D1W3	
70	UELF214D1W3	193	152	31	22	54	19	82.55	85.7	34.15	M16	UELF214D1W3	
2 3/8	UELF214-210D1W3											UELF214-210D1W3	
2 11/16	UELF214-211D1W3	7 1/2	5 7/8	1 1/8	7/8	2 1/8	3/4	3 1/4	3.374	1.344	5/8	UELF214-211D1W3	
2 3/4	UELF214-212D1W3											UELF214-212D1W3	
75	UELF215D1W3	200	159	34	22	56	19	88.7	92	37.3	M16	UELF215D1W3	
2 11/16	UELF215-213D1W3											UELF215-213D1W3	
2 3/8	UELF215-214D1W3	7 7/8	6 1/4	1 1/4	7/8	2 1/4	3/4	3 1/4	3.622	1.469	5/8	UELF215-214D1W3	
2 11/16	UELF215-215D1W3											UELF215-215D1W3	
3	UELF215-300D1W3											UELF215-300D1W3	

Remarks: 1) These numbers indicate relubricatable type. If maintenance free type is needed, please order without suffix "D1".
Note: Please refer to page 25 for size of grease fitting.

Housing number	Mass of unit
	kg lb
F211D1	3.8
F211D1	
F211D1	8.4
F211D1	
F211D1	
F212D1	4.8
F212D1	
F212D1	11
F212D1	
F212D1	
F213D1	6.0
F213D1	13
F213D1	
F214D1	6.3
F214D1	
F214D1	14
F214D1	
F215D1	7.2
F215D1	
F215D1	16
F215D1	
F215D1	

Flanged units cast housing
Eccentric locking collar type



Shaft dia.	Unit number ¹⁾	Nominal dimensions									Bolt size	Bearing number
		mm			inch							
mm inch		L	J	A ₂	A ₁	A	N	A ₀	B ₁	S	mm inch	
25 1#7/6 8/8 1#7/6 1	UELF305D1W3	110	80	16	13	29	16	46.1	46.8	16.7	M14 1/2	UELF305D1W3
	UELF305-013D1W3											UELF305-013D1W3
	UELF305-014D1W3	4 1/32	3 3/32	5/8	1/2	1 1/32	5/8	1 7/16	1.843	0.657		UELF305-014D1W3
	UELF305-015D1W3											UELF305-015D1W3
30 1 1/6 1 1/8 1#7/6	UELF306D1W3	125	95	18	15	32	16	50.5	50	17.5	M14 1/2	UELF306D1W3
	UELF306-101D1W3											UELF306-101D1W3
	UELF306-102D1W3	4 9/32	3 5/8	3/4	1 1/32	1 1/4	5/8	1 7/16	1.969	0.689		UELF306-102D1W3
	UELF306-103D1W3											UELF306-103D1W3
35 1 1/4 1 1/6 1#8 1#7/6	UELF307D1W3	135	100	20	16	36	19	53.3	51.6	18.3	M16 3/8	UELF307D1W3
	UELF307-104D1W3											UELF307-104D1W3
	UELF307-105D1W3	5 1/6	3 1/6	3/32	5/8	1 1/32	3/4	2 1/32	2.031	0.720		UELF307-105D1W3
	UELF307-106D1W3											UELF307-106D1W3
40 1 1/2 1 1/6	UELF308D1W3	150	112	23	17	40	19	60.3	57.1	19.8	M16 3/8	UELF308D1W3
	UELF308-108D1W3											UELF308-108D1W3
	UELF308-109D1W3	5 9/32	4 1/32	3/32	3/32	1 1/6	3/4	2 3/8	2.248	0.780		UELF308-109D1W3
45 1#8 1 1/6 1#4	UELF309D1W3	160	125	25	18	44	19	63.9	58.7	19.8	M16 3/8	UELF309D1W3
	UELF309-110D1W3											UELF309-110D1W3
	UELF309-111D1W3	6 1/6	4 1/8	1/4	3/32	1 1/32	3/4	2 3/8	2.311	0.780		UELF309-111D1W3
	UELF309-112D1W3											UELF309-112D1W3
50 1 1/6 1#8 1 1/6	UELF310D1W3	175	132	28	19	48	23	70	66.6	24.6	M20 3/4	UELF310D1W3
	UELF310-113D1W3											UELF310-113D1W3
	UELF310-114D1W3	6 5/8	5 1/8	1 1/4	3/4	1 5/8	1 1/2	2 3/4	2.622	0.969		UELF310-114D1W3
	UELF310-115D1W3											UELF310-115D1W3
55 2 2 1/6 2 1/8 2#7/6	UELF311D1W3	185	140	30	20	52	23	75.2	73	27.8	M20 3/4	UELF311D1W3
	UELF311-200D1W3											UELF311-200D1W3
	UELF311-201D1W3	7 1/32	5 3/8	1 1/6	3/32	2 1/6	1 1/2	2 1/8	2.874	1.094		UELF311-201D1W3
	UELF311-202D1W3											UELF311-202D1W3
	UELF311-203D1W3										UELF311-203D1W3	

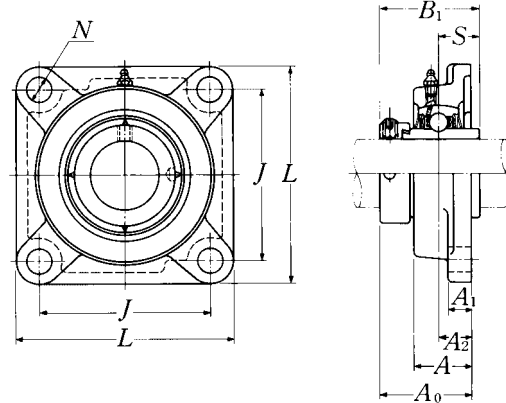
Remarks: 1) These numbers indicate relubricatable type. If maintenance free type is needed, please order without suffix "D1"

2) Inner race face does not protrude from the housing face except UELF305 and UELF316.

Note: Please refer to page 25 for size of grease fitting.

Housing number	Mass of unit	
	kg	lb
F305D1	1.2	
F305D1		
F305D1	2.6	
F305D1		
F305D1		
F306D1	1.7	
F306D1		
F306D1	3.7	
F306D1		
F306D1		
F307D1	2.0	
F307D1		
F307D1	4.4	
F307D1		
F307D1		
F308D1	2.8	
F308D1	6.2	
F308D1		
F309D1	3.6	
F309D1		
F309D1	7.9	
F309D1		
F310D1	4.7	
F310D1		
F310D1	10	
F310D1		
F311D1	5.7	
F311D1		
F311D1	13	
F311D1		
F311D1		

Flanged units cast housing
Eccentric locking collar type



Shaft dia.	Unit number ¹⁾	Nominal dimensions									Bolt size	Bearing number
		mm			inch			mm	inch			
mm inch		L	J	A ₂	A ₁	A	N	A ₀	B ₁	S	mm inch	
60 2 1/4 2 3/8 2 7/8 2 3/4	UELF312D1W3 UELF312-204D1W3 UELF312-205D1W3 UELF312-206D1W3 UELF312-207D1W3	195 7 11/16	150 5 9/32	33 1 1/8	22 8/8	56 2 1/8	23 1 1/8	81.45 3 1/8	79.4 3.126	30.95 1.219	M20 #4	UEL312D1W3 UEL312-204D1W3 UEL312-205D1W3 UEL312-206D1W3 UEL312-207D1W3
65 2 1/2 2 3/4	UELF313D1W3 UELF313-208D1W3 UELF313-209D1W3	208 8 1/8	166 6 1/2	33 1 1/8	22 8/8	58 2 1/8	23 1 1/8	86.15 3 3/8	85.7 3.374	32.55 1.281	M20 #4	UEL313D1W3 UEL313-208D1W3 UEL313-209D1W3
70 2 7/8 2 11/16 2 3/4	UELF314D1W3 UELF314-210D1W3 UELF314-211D1W3 UELF314-212D1W3	226 8 9/32	178 6 5/8	36 1 3/8	25 1 1/4	61 2 1/8	25 1 1/4	93.95 3 5/8	92.1 3.626	34.15 1.344	M22 8/8	UEL314D1W3 UEL314-210D1W3 UEL314-211D1W3 UEL314-212D1W3
75 2 13/16 2 7/8 2 11/16 3	UELF315D1W3 UELF315-213D1W3 UELF315-214D1W3 UELF315-215D1W3 UELF315-300D1W3	236 9 1/32	184 7 1/4	39 1 1/2	25 1 1/4	66 2 1/2	25 1 1/4	101.7 4	100 3.937	37.3 1.469	M22 8/8	UEL315D1W3 UEL315-213D1W3 UEL315-214D1W3 UEL315-215D1W3 UEL315-300D1W3
80 3 1/8 3 1/8 3 3/8	UELF316D1W3 UELF316-301D1W3 UELF316-302D1W3 UELF316-303D1W3	250 9 7/32	196 7 23/32	38 1 1/2	27 1 1/8	68 2 11/16	31 1 1/8	103.9 4 1/8	106.4 4.189	40.5 1.594	M27 1	UEL316D1W3 UEL316-301D1W3 UEL316-302D1W3 UEL316-303D1W3
85 3 1/4 3 3/8 3 7/8	UELF317D1W3 UELF317-304D1W3 UELF317-305D1W3 UELF317-307D1W3	260 10 1/4	204 8 1/32	44 1 5/8	27 1 1/8	74 2 9/32	31 1 1/8	111.45 4 1/8	109.5 4.311	42.05 1.656	M27 1	UEL317D1W3 UEL317-304D1W3 UEL317-305D1W3 UEL317-307D1W3
90 3 3/8 3 1/2	UELF318D1W3 UELF318-307D1W3 UELF318-308D1W3	280 11 1/32	216 8 1/2	44 1 5/8	30 1 3/8	76 3	35 1 3/8	116.25 4 5/8	115.9 4.563	43.65 1.719	M30 1 1/8	UEL318D1W3 UEL318-307D1W3 UEL318-308D1W3

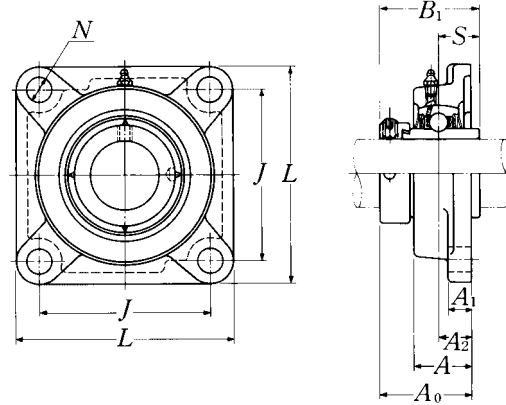
Remarks: 1) These numbers indicate relubricatable type. If maintenance free type is needed, please order without suffix "D1".

2) Inner race face does not protrude from the housing face except UELF305 and UELF316.

Note: Please refer to page 25 for size of grease fitting.

Housing number	Mass of unit
	kg lb
F312D1	6.8
F312D1	
F312D1	15
F312D1	
F312D1	
F313D1	8.3
F313D1	18
F313D1	
F314D1	10
F314D1	
F314D1	22
F314D1	
F315D1	12
F315D1	
F315D1	26
F315D1	
F315D1	
F316D1	16
F316D1	
F316D1	35
F316D1	
F317D1	17
F317D1	
F317D1	37
F317D1	
F318D1	21
F318D1	46
F318D1	

Flanged units cast housing
Eccentric locking collar type



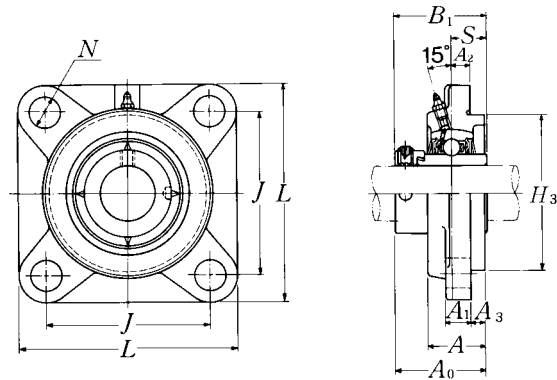
Shaft dia.	Unit number ¹⁾	Nominal dimensions										Bolt size	Bearing number
		mm					inch						
mm inch		L	J	A ₂	A ₁	A	N	A ₀	B ₁	S	mm inch		
95 3 1/8 3 11/16 3 7/8	UELF319D1W3	290	228	59	30	94	35	142.4	122.3	38.9	M30 1 1/8	UELF319D1W3	
	UELF319-310D1W3											UELF319-310D1W3	
	UELF319-311D1W3	111 3/32	8 11/32	2 1/64	1 1/16	3 11/16	1 3/8	5 5/64	4.815	1.531		UELF319-311D1W3	
	UELF319-312D1W3											UELF319-312D1W3	
100 3 1/8 3 3/8 3 1/2 4	UELF320D1W3	310	242	59	32	94	38	137.6	128.6	50	M33 1 1/4	UELF320D1W3	
	UELF320-313D1W3											UELF320-313D1W3	
	UELF320-314D1W3	12 3/32	9 11/32	2 1/64	1 1/4	3 11/16	1 1/2	5 3/64	5.063	1.969		UELF320-314D1W3	
	UELF320-315D1W3											UELF320-315D1W3	
	UELF320-400D1W3										UELF320-400D1W3		
105	UELF321D1W3	310	242	59	32	94	38	150.3	139.7	48.4	M33	UELF321D1W3	
110	UELF322D1W3	340	266	60	35	96	41	152.1	141.3	49.2	M36	UELF322D1W3	

Remarks: 1) These numbers indicate relubricatable type. If maintenance free type is needed, please order without suffix "D1".

Note: Please refer to page 25 for size of grease fitting.

Housing number	Mass of unit
	kg lb
F319D1	23
F319D1	
F319D1	51
F319D1	
F320D1	28
F320D1	
F320D1	62
F320D1	
F320D1	
F321D1	29
F322D1	40

Flanged cartridge units cast housing
Eccentric locking collar type



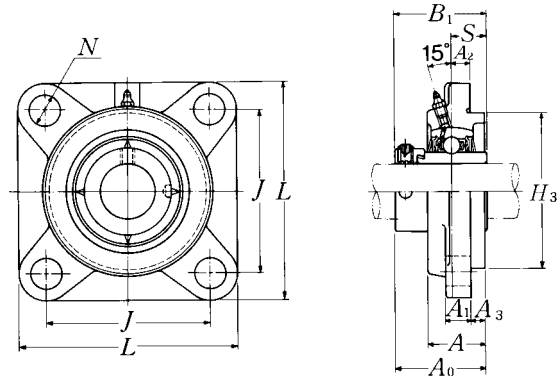
Shaft dia.	Unit number ¹⁾	Nominal dimensions											Bolt size
		mm					inch						
mm inch		L	J	A ₂	N	A ₃	A ₁	A	H ₃	A ₀	B ₁	S	mm inch
25 1#7/6 &8 1#7/6 1	UELFS305D1W3	110	80	9	16	7	13	29	80	46.1	46.8	16.7	M14
	UELFS305-013D1W3												
	UELFS305-014D1W3	4.1132	3.132	0.354	0.63	0.276	0.512	1.1417	3.1496	1.811	1.843	0.657	1/2
	UELFS305-015D1W3												
30 1#7/6 1#8 1#7/6	UELFS306D1W3	125	95	10	16	8	15	32	90	50.5	50	17.5	M14
	UELFS306-101D1W3												
	UELFS306-102D1W3	4.9132	3.7424	0.394	0.63	0.315	0.591	1.2604	3.5433	1.988	1.969	0.689	1/2
	UELFS306-103D1W3												
35 1#4 1#7/6 1#8 1#7/6	UELFS307D1W3	135	100	11	19	9	16	36	100	53.3	51.6	18.3	M16
	UELFS307-104D1W3												
	UELFS307-105D1W3	5.315	3.937	0.433	0.75	0.354	0.63	1.4173	3.9370	2.113	2.031	0.720	3/8
	UELFS307-106D1W3												
40 1#2 1#7/6	UELFS308D1W3	150	112	13	19	10	17	40	115	60.3	57.1	19.8	M16
	UELFS308-108D1W3												
	UELFS308-109D1W3	5.9132	4.4132	0.512	0.75	0.394	0.67	1.5748	4.5276	2.39	2.248	0.780	3/8
45 1#8 1#7/6 1#4	UELFS309D1W3	160	125	14	19	11	18	44	125	63.9	58.7	19.8	M16
	UELFS309-110D1W3												
	UELFS309-111D1W3	6.315	4.9132	0.551	0.75	0.433	0.709	1.7323	4.9213	2.512	2.311	0.780	3/8
	UELFS309-112D1W3												
50 1#7/6 1#8 1#7/6	UELFS310D1W3	175	132	16	23	12	19	48	140	70	66.6	24.6	M20
	UELFS310-113D1W3												
	UELFS310-114D1W3	6.88	5.196	0.63	0.913	0.476	0.75	1.9144	5.5118	2.764	2.622	0.969	3/4
UELFS310-115D1W3													
55 2 2#7/6 2#8 2#7/6	UELFS311D1W3	185	140	17	23	13	20	52	150	75.2	73	27.8	M20
	UELFS311-200D1W3												
	UELFS311-201D1W3	7.32	5.512	0.67	0.913	0.512	0.787	2.047	5.9055	2.914	2.874	1.094	3/4
	UELFS311-202D1W3												
UELFS311-203D1W3													

Remarks: 1) These numbers indicate relubricatable type. If maintenance free type is needed, please order without suffix "D1".

Note: Please refer to page 25 for size of grease fitting.

Bearing number	Housing number	Mass of unit	
		kg	lb
UEL305D1W3	FS305D1	1.4	
UEL305-013D1W3	FS305D1		
UEL305-014D1W3	FS305D1	3.1	
UEL305-015D1W3	FS305D1		
UEL305-100D1W3	FS305D1		
UEL306D1W3	FS306D1	2.0	
UEL306-101D1W3	FS306D1		
UEL306-102D1W3	FS306D1	4.4	
UEL306-103D1W3	FS306D1		
UEL307D1W3	FS307D1	2.4	
UEL307-104D1W3	FS307D1		
UEL307-105D1W3	FS307D1	5.3	
UEL307-106D1W3	FS307D1		
UEL307-107D1W3	FS307D1		
UEL308D1W3	FS308D1	3.4	
UEL308-108D1W3	FS308D1	7.5	
UEL308-109D1W3	FS308D1		
UEL309D1W3	FS309D1	4.2	
UEL309-110D1W3	FS309D1		
UEL309-111D1W3	FS309D1	9.3	
UEL309-112D1W3	FS309D1		
UEL310D1W3	FS310D1	5.5	
UEL310-113D1W3	FS310D1		
UEL310-114D1W3	FS310D1	12	
UEL310-115D1W3	FS310D1		
UEL311D1W3	FS311D1	6.5	
UEL311-200D1W3	FS311D1		
UEL311-201D1W3	FS311D1	14	
UEL311-202D1W3	FS311D1		
UEL311-203D1W3	FS311D1		

Flanged cartridge units cast housing
Eccentric locking collar type



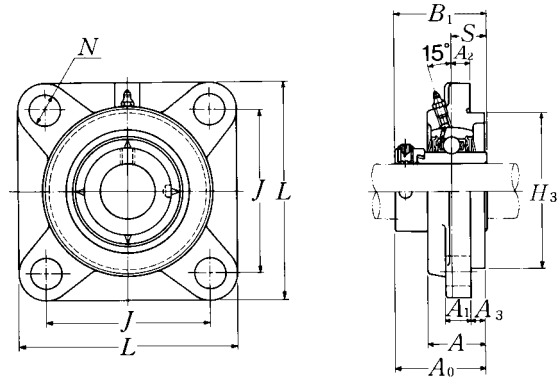
Shaft dia.	Unit number ¹⁾	Nominal dimensions											Bolt size
		mm					inch						
mm inch		L	J	A ₂	N	A ₃	A ₁	A	H ₃	A ₀	B ₁	S	mm inch
60	UELFS312D1W3	195	150	19	23	14	22	56	160	81.5	79.4	30.95	M20
2 1/4	UELFS312-204D1W3												
2 3/8	UELFS312-205D1W3	7 11/16	5 3/32	#4	3/32	5/64	8/8	2 1/16	6.2992	3 1/64	3.126	1.219	#4
2 3/8	UELFS312-206D1W3												
2 3/8	UELFS312-207D1W3												
65	UELFS313D1W3	208	166	15	23	18	22	58	175	86.2	85.7	32.55	M20
2 1/2	UELFS313-208D1W3												
2 1/2	UELFS313-209D1W3	8 1/16	6 1/32	1/32	3/32	3/64	8/8	2 3/32	6.8898	3 3/64	3.374	1.281	#4
2 1/2	UELFS313-209D1W3												
70	UELFS314D1W3	226	178	18	25	18	25	61	185	94.0	92.1	34.15	M22
2 3/8	UELFS314-210D1W3												
2 1 1/8	UELFS314-211D1W3	8 3/32	7 1/64	3/64	1/64	3/64	1 1/32	2 1/32	7.2835	3 3/64	3.626	1.344	8/8
2 3/4	UELFS314-212D1W3												
75	UELFS315D1W3	236	184	21	25	18	25	66	200	101.7	100	37.3	M22
2 1 3/8	UELFS315-213D1W3												
2 3/8	UELFS315-214D1W3												
2 1 3/8	UELFS315-215D1W3	9 3/32	7 1/4	3/64	1/64	3/64	1 1/32	2 1/32	7.8740	4	3.937	1.469	8/8
3	UELFS315-300D1W3												
80	UELFS316D1W3	250	196	18	31	20	27	68	210	103.9	106.4	40.5	M27
3 1/8	UELFS316-301D1W3												
3 1/8	UELFS316-302D1W3	9 3/32	7 3/32	3/64	1 3/32	3/32	1 1/16	2 3/64	8.2677	4 3/32	4.189	1.594	1
3 1/8	UELFS316-303D1W3												
85	UELFS317D1W3	260	204	24	31	20	27	74	220	111.5	109.5	42.05	M27
3 1/4	UELFS317-304D1W3												
3 3/8	UELFS317-305D1W3	10 1/4	8 1/32	1/16	1 3/32	3/32	1 1/16	2 3/32	8.6614	4 3/64	4.311	1.656	1
3 3/8	UELFS317-307D1W3												
90	UELFS318D1W3	280	216	24	35	20	30	76	240	116.3	115.9	43.65	M30
3 3/8	UELFS318-307D1W3												
3 1/2	UELFS318-308D1W3	11 1/32	8 1/2	1/16	1 3/8	3/32	1 3/16	2 3/64	9.4488	4 3/64	4.563	1.719	1 1/8

Remarks: 1) These numbers indicate relubricatable type. If maintenance free type is needed, please order without suffix "D1".

Note: Please refer to page 25 for size of grease fitting.

Bearing number	Housing number	Mass of unit	
		kg	lb
UEL312D1W3	FS312D1	7.5	
UEL312-204D1W3	FS312D1		
UEL312-205D1W3	FS312D1	17	
UEL312-206D1W3	FS312D1		
UEL312-207D1W3	FS312D1		
UEL313D1W3	FS313D1	9.3	
UEL313-208D1W3	FS313D1	21	
UEL313-209D1W3	FS313D1		
UEL314D1W3	FS314D1	11	
UEL314-210D1W3	FS314D1		
UEL314-211D1W3	FS314D1	24	
UEL314-212D1W3	FS314D1		
UEL315D1W3	FS315D1	13	
UEL315-213D1W3	FS315D1		
UEL315-214D1W3	FS315D1	29	
UEL315-215D1W3	FS315D1		
UEL315-300D1W3	FS315D1		
UEL316D1W3	FS316D1	16	
UEL316-301D1W3	FS316D1		
UEL316-302D1W3	FS316D1	35	
UEL316-303D1W3	FS316D1		
UEL317D1W3	FS317D1	19	
UEL317-304D1W3	FS317D1		
UEL317-305D1W3	FS317D1	42	
UEL317-307D1W3	FS317D1		
UEL318D1W3	FS318D1	23	
UEL318-307D1W3	FS318D1	51	
UEL318-308D1W3	FS318D1		

Flanged cartridge units cast housing
Eccentric locking collar type



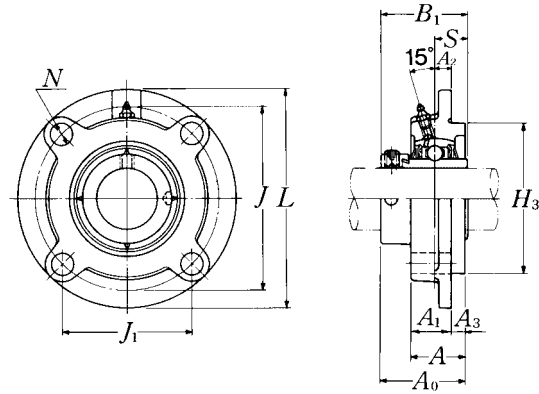
Shaft dia.	Unit number ¹⁾	Nominal dimensions											Bolt size
		mm					inch					mm	
mm inch		L	J	A ₂	N	A ₃	A ₁	A	H ₃	A ₀	B ₁	S	mm inch
95	UELFS319D1W3	290	228	39	35	20	30	94	250	142.4	122.3	38.9	M30
3 3/8	UELFS319-310D1W3												
3 1/2	UELFS319-311D1W3	11 1/2	8 1/2	1 1/2	1 3/8	3/4	1 1/8	3 3/4	9.8425	5 5/8	4.815	1.531	1 1/8
3 3/4	UELFS319-312D1W3												
100	UELFS320D1W3	310	242	39	38	20	32	94	260	137.6	128.6	50	M33
3 1/2	UELFS320-313D1W3												
3 3/8	UELFS320-314D1W3	12 3/2	9 1/2	1 1/2	1 1/2	3/4	1 1/4	3 3/4	10.2362	5 3/8	5.063	1.969	1 1/4
3 1/2	UELFS320-315D1W3												
4	UELFS320-400D1W3												
105	UELFS321D1W3	310	242	39	38	20	32	94	260	150.3	139.7	48.4	M33
110	UELFS322D1W3	340	266	35	41	25	35	96	300	152.1	141.3	49.2	M36

Remarks: 1) These numbers indicate relubricatable type. If maintenance free type is needed, please order without suffix "D1".

Note: Please refer to page 25 for size of grease fitting.

Bearing number	Housing number	Mass of unit	
		kg	lb
UEL319D1W3	FS319D1	26	
UEL319-310D1W3	FS319D1		
UEL319-311D1W3	FS319D1	57	
UEL319-312D1W3	FS319D1		
UEL320D1W3	FS320D1	32	
UEL320-313D1W3	FS320D1		
UEL320-314D1W3	FS320D1	71	
UEL320-315D1W3	FS320D1		
UEL320-400D1W3	FS320D1		
UEL321D1W3	FS321D1	32	
UEL322D1W3	FS322D1	42	

Flanged cartridge units cast housing
Eccentric locking collar type

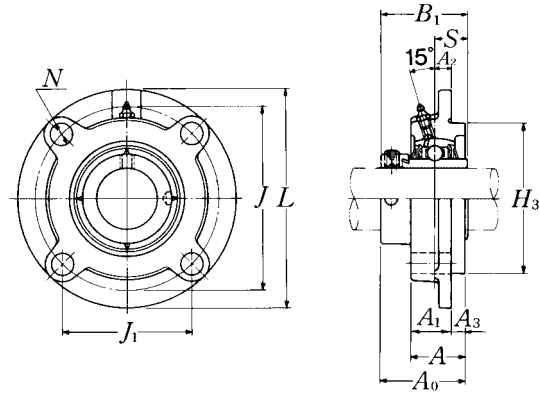


Shaft dia.	Unit number ¹⁾	Nominal dimensions												Bolt size
		mm						inch						
mm inch		L	J	J ₁	A ₂	N	A ₃	A ₁	A	H ₃	A ₀	B ₁	S	mm inch
20 #4	UELFC204D1W3 UELFC204-012D1W3	100 3 15/16	78 3 1/8	55.1 2 1 1/4	10 3/8	12 1/2	5 1/8	20.5 1 1/8	25.5 1	62 2.4409	41.6 1 5/8	43.7 1.720	17.1 0.673	M10 #8
25 1 1/8 #8 1 1/8 1	UELFC205D1W3 UELFC205-013D1W3 UELFC205-014D1W3 UELFC205-015D1W3 UELFC205-100D1W3	115 4 1 3/8	90 3 5/8	63.6 2 1/2	10 3/8	12 1/2	6 1/8	21 1 1/8	27 1 1/8	70 2.7559	42.9 1 1 1/8	44.4 1.748	17.5 0.689	M10 #8
30 1 1/8 1 1/8 1 3/8 1 1/4	UELFC206D1W3 UELFC206-110D1W3 UELFC206-102D1W3 UELFC206-103D1W3 UELFC206-104D1W3	125 4 13/32	100 3 15/16	70.7 2 3/8	10 3/8	12 1/2	8 5/16	23 1 1/8	31 1 1/8	80 3.1496	48.1 1 7/8	48.4 1.906	18.3 0.720	M10 #8
35 1 1/4 1 3/8 1 3/8 1 7/8 1 3/8	UELFC207D1W3 UELFC207-104D1W3 UELFC207-105D1W3 UELFC207-106D1W3 UELFC207-107D1W3	135 5 1/8	110 4 1/8	77.8 3 1/8	11 7/8	14 1 1/8	8 5/16	26 1 1/8	34 1 1/8	90 3.5433	51.3 2 1/8	51.1 2.012	18.8 0.740	M12 7/8
40 1 1/2 1 3/8	UELFC208D1W3 UELFC208-108D1W3 UELFC208-109D1W3	145 5 11/32	120 4 7/8	84.8 3 1 1/8	11 7/8	14 1 1/8	10 3/8	26 1 1/8	36 1 3/8	100 3.9370	55.9 2 1 3/8	56.3 2.217	21.4 0.843	M12 7/8
45 1 3/8 1 1 1/8 1 3/4	UELFC209D1W3 UELFC209-110D1W3 UELFC209-111D1W3 UELFC209-112D1W3	160 6 3/8	132 5 1 1/8	93.3 3 5/8	10 3/8	16 1 1/8	12 3/8	26 1 1/8	38 1 1/2	105 4.1339	56.9 2 1 3/8	56.3 2.217	21.4 0.843	M14 1 1/2
50 1 1 3/8 1 3/8 1 1 3/8 2	UELFC210D1W3 UELFC210-113D1W3 UELFC210-114D1W3 UELFC210-115D1W3 UELFC210-200D1W3	165 6 1/2	138 5 3/8	97.6 3 7/8	10 3/8	16 1 1/8	12 3/8	28 1 1/8	40 1 5/8	110 4.3307	60.1 2 3/8	62.7 2.469	24.6 0.969	M14 1 1/2

Remarks: 1) These numbers indicate relubricatable type. If maintenance free type is needed, please order without suffix "D1".
Note: Please refer to page 25 for size of grease fitting.

Bearing number	Housing number	Mass of unit	
		kg	lb
UEL204D1W3	FC204D1	0.8	
UEL204-012D1W3	FC204D1	1.8	
UEL205D1W3	FC205D1	1.1	
UEL205-013D1W3	FC205D1		
UEL205-014D1W3	FC205D1	2.4	
UEL205-015D1W3	FC205D1		
UEL205-100D1W3	FC205D1		
UEL206D1W3	FC206D1	1.5	
UEL206-101D1W3	FC206D1		
UEL206-102D1W3	FC206D1	3.3	
UEL206-103D1W3	FC206D1		
UEL206-104D1W3	FC206D1		
UEL207D1W3	FC207D1	1.8	
UEL207-104D1W3	FC207D1		
UEL207-105D1W3	FC207D1	4.0	
UEL207-106D1W3	FC207D1		
UEL207-107D1W3	FC207D1		
UEL208D1W3	FC208D1	2.2	
UEL208-108D1W3	FC208D1	4.9	
UEL208-109D1W3	FC208D1		
UEL209D1W3	FC209D1	2.8	
UEL209-110D1W3	FC209D1		
UEL209-111D1W3	FC209D1	6.2	
UEL209-112D1W3	FC209D1		
UEL210D1W3	FC210D1	3.3	
UEL210-113D1W3	FC210D1		
UEL210-114D1W3	FC210D1	7.3	
UEL210-115D1W3	FC210D1		
UEL210-200D1W3	FC210D1		

Flanged cartridge units cast housing
Eccentric locking collar type

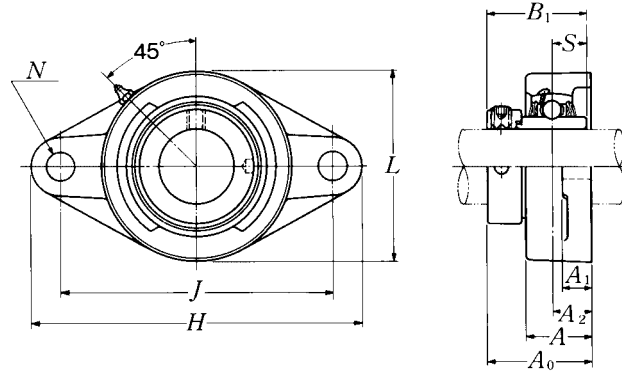


Shaft dia.	Unit number ¹⁾	Nominal dimensions												Bolt size
		mm						inch						
		L	J	J ₁	A ₂	N	A ₃	A ₁	A	H ₃	A ₀	B ₁	S	
55	UELFC211D1W3	185	150	106.1	13	19	12	31	43	125	68.6	71.4	27.8	M16
2	UELFC211-200D1W3													
2 1/16	UELFC211-201D1W3	7(3/32)	5(1/32)	4(1/64)	##64	##	1(3/32)	1(3/32)	1(1/16)	4.9213	2(5/64)	2.811	1.094	3/8
2 1/8	UELFC211-202D1W3													
2 3/16	UELFC211-203D1W3													
60	UELFC212D1W3	195	160	113.1	17	19	12	36	48	135	75.8	77.8	31	M16
2 1/4	UELFC212-204D1W3													
2 3/16	UELFC212-205D1W3	7(1/16)	6(1/64)	4(1/64)	\$(64	##	1(3/32)	1(1/32)	1(5/64)	5.3150	2(1/64)	3.063	1.220	3/8
2 3/8	UELFC212-206D1W3													
2 7/16	UELFC212-207D1W3													
65	UELFC213D1W3	205	170	120.2	16	19	14	36	50	145	81.6	85.7	34.15	M16
2 1/2	UELFC213-208D1W3													
2(7/16)	UELFC213-209D1W3	8(1/16)	6(1/16)	4(5/64)	3/8	##	##64	1(1/32)	1(1/32)	5.7087	3(3/32)	3.374	1.344	3/8
70	UELFC214D1W3	215	177	125.1	17	19	14	40	54	150	82.6	85.7	34.15	M16
2 3/8	UELFC214-210D1W3													
2 1 1/16	UELFC214-211D1W3	8(1/32)	6(1/32)	4(1/64)	\$(64	##	##64	1(1/16)	2(1/8)	5.9055	3(1/4)	3.374	1.344	3/8
2 3/4	UELFC214-212D1W3													
75	UELFC215D1W3	220	184	130.1	18	19	16	40	56	160	88.7	92	37.3	M16
2 1 1/16	UELFC215-213D1W3													
2 3/8	UELFC215-214D1W3													
2 1 1/16	UELFC215-215D1W3	8(1/32)	7(1/4)	5(1/8)	\$(64	##	3/8	1(1/16)	2(1/64)	6.2992	3(1/64)	3.622	1.469	3/8
3	UELFC215-300D1W3													

Remarks: 1) These numbers indicate relubricatable type. If maintenance free type is needed, please order without suffix "D1".
Note: Please refer to page 25 for size of grease fitting.

Bearing number	Housing number	Mass of unit	
		kg	lb
UEL211D1W3	FC211D1	4.5	
UEL211-200D1W3	FC211D1		
UEL211-201D1W3	FC211D1	9.9	
UEL211-202D1W3	FC211D1		
UEL211-203D1W3	FC211D1		
UEL212D1W3	FC212D1	5.7	
UEL212-204D1W3	FC212D1		
UEL212-205D1W3	FC212D1	13	
UEL212-206D1W3	FC212D1		
UEL212-207D1W3	FC212D1		
UEL213D1W3	FC213D1	6.5	
UEL213-208D1W3	FC213D1	14	
UEL213-209D1W3	FC213D1		
UEL214D1W3	FC214D1	7.2	
UEL214-210D1W3	FC214D1		
UEL214-211D1W3	FC214D1	16	
UEL214-212D1W3	FC214D1		
UEL215D1W3	FC215D1	8.0	
UEL215-213D1W3	FC215D1		
UEL215-214D1W3	FC215D1	18	
UEL215-215D1W3	FC215D1		
UEL215-300D1W3	FC215D1		

Flanged cartridge units cast housing
Eccentric locking collar type



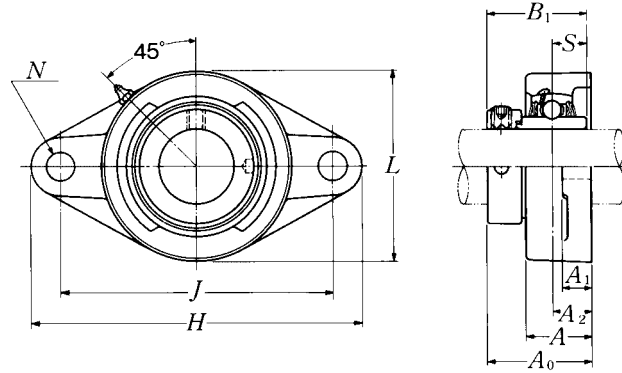
Shaft dia.	Unit number ¹⁾	Nominal dimensions										Bolt size
		mm					inch					
mm inch		H	J	A ₂	A ₁	A	N	L	A ₀	B ₁	S	mm inch
20 #4	UELFLU204D1W3 UELFLU204-012D1W3	113 4 1/2	90 3 5/8	19 #4	15 1/2	29.5 1 1/8	11.5 9/16	61 2 1/2	45.6 1 3/4	43.7 1.720	17.1 0.673	M10 #7/8
25 1 1/8 #8 1 1/8 1	UELFLU205D1W3 UELFLU205-013D1W3 UELFLU205-014D1W3 UELFLU205-015D1W3 UELFLU205-100D1W3	125 5	99 3 7/8	19 #4	15 1/2	30 1 1/8	11.5 9/16	70 2 3/4	45.9 1 3/4	44.4 1.748	17.5 0.689	M10 #8
30 1 1/8 1 1/8 1 3/8 1 1/4	UELFLU206D1W3 UELFLU206-101D1W3 UELFLU206-102D1W3 UELFLU206-103D1W3 UELFLU206-104D1W3	142 5 1/2	116.5 4 1/2	20 #3/2	16 5/8	33 1 1/8	11.5 9/16	83 3 1/2	50.1 1 7/8	48.4 1.906	18.3 0.720	M10 #8
35 1 1/4 1 3/8 1 3/8 1 7/8 1 7/8	UELFLU207D1W3 UELFLU207-104D1W3 UELFLU207-105D1W3 UELFLU207-106D1W3 UELFLU207-107D1W3	156 6 1/8	130 5 1/8	21 #5/8	17 #1 1/2	36 1 1/4	14 #5/8	96 3 3/4	53.3 2 1/4	51.1 2.012	18.8 0.740	M12 1 1/2
40 1 1/2 1 1/2	UELFLU208D1W3 UELFLU208-108D1W3 UELFLU208-109D1W3	172 6 3/4	143.5 5 1/2	24 1 1/8	17 #1 1/2	39 1 1/2	14 #5/8	105 4 1/8	58.9 2 3/8	56.3 2.217	21.4 0.843	M12 1 1/2
45 1 3/8 1 1 1/8 1 3/4	UELFLU209D1W3 UELFLU209-110D1W3 UELFLU209-111D1W3 UELFLU209-112D1W3	180 7 1/4	148.5 5 7/8	24 1 1/8	18 #3/2	40 1 1/2	16 #5/8	111 4 3/8	58.9 2 3/8	56.3 2.217	21.4 0.843	M14 1 1/2
50 1 1 1/8 1 3/8 1 1 1/8 2	UELFLU210D1W3 UELFLU210-113D1W3 UELFLU210-114D1W3 UELFLU210-115D1W3 UELFLU210-200D1W3	190 7 1/2	157 6 1/8	28 1 1/4	20 #3/2	46 1 3/4	18 #5/8	116 4 1/2	66.1 2 5/8	62.7 2.469	24.6 0.969	M16 #8

Remarks: 1) These numbers indicate relubricatable type. If maintenance free type is needed, please order without suffix "D1".

Note: Please refer to page 25 for size of grease fitting.

Bearing number	Housing number	Mass of unit	
		kg	lb
UEL204D1W3	FLU204D1	0.6	
UEL204-012D1W3	FLU204D1	1.3	
UEL205D1W3	FLU205D1	0.8	
UEL205-013D1W3	FLU205D1		
UEL205-014D1W3	FLU205D1	1.8	
UEL205-015D1W3	FLU205D1		
UEL205-100D1W3	FLU205D1		
UEL206D1W3	FLU206D1	1.1	
UEL206-101D1W3	FLU206D1		
UEL206-102D1W3	FLU206D1	2.4	
UEL206-103D1W3	FLU206D1		
UEL206-104D1W3	FLU206D1		
UEL207D1W3	FLU207D1	1.4	
UEL207-104D1W3	FLU207D1		
UEL207-105D1W3	FLU207D1	3.1	
UEL207-106D1W3	FLU207D1		
UEL207-107D1W3	FLU207D1		
UEL208D1W3	FLU208D1	1.8	
UEL208-108D1W3	FLU208D1	4.0	
UEL208-109D1W3	FLU208D1		
UEL209D1W3	FLU209D1	2.1	
UEL209-110D1W3	FLU209D1		
UEL209-111D1W3	FLU209D1	4.6	
UEL209-112D1W3	FLU209D1		
UEL210D1W3	FLU210D1	2.5	
UEL210-113D1W3	FLU210D1		
UEL210-114D1W3	FLU210D1	5.5	
UEL210-115D1W3	FLU210D1		
UEL210-200D1W3	FLU210D1		

Flanged cartridge units cast housing
Eccentric locking collar type

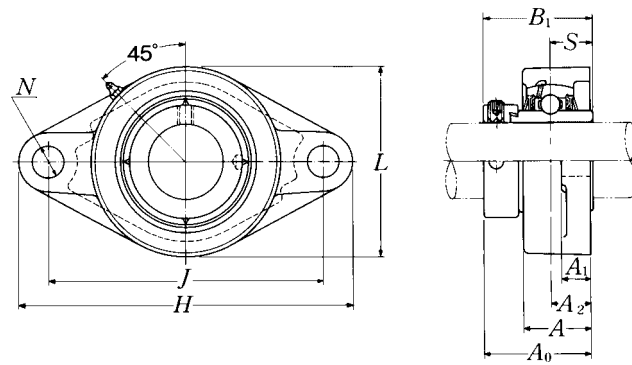


Shaft dia. mm inch	Unit number ¹⁾	Nominal dimensions										Bolt size mm inch
		H	J	A ₂	A ₁	A	N	L	A ₀	B ₁	S	
55 2 2 1/16 2 1/8 2 7/16	UELFLU211D1W3	217	184	31	21	49	18	134	74.6	71.4	27.8	M16 5/8
	UELFLU211-200D1W3											
	UELFLU211-201D1W3	8 1/32	7 1/4	1 3/32	1 7/16	1 1/16	5/16	5 3/32	2 1/16	2.811	1.094	
	UELFLU211-202D1W3											
	UELFLU211-203D1W3											
60 2 1/4 2 7/16 2 3/8 2 3/16	UELFLU212D1W3	235	202	34	21	53	18	138	80.8	77.8	31	M16 5/8
	UELFLU212-204D1W3											
	UELFLU212-205D1W3	9 1/4	7 1/16	1 1/32	1 7/16	2 3/32	5/16	5 7/16	3 7/16	3.063	1.220	
	UELFLU212-206D1W3											
	UELFLU212-207D1W3											
65 2 1/2 2 7/16	UELFLU213D1W3	248	210	38	22	59	20.5	152	89.55	85.7	34.15	M18 5/8
	UELFLU213-208D1W3	9 5/8	8 1/16	1 1/2	8/8	2 7/16	1 7/16	5 1/32	3 1/32	3.374	1.344	
	UELFLU213-209D1W3											
70 2 3/8 2 1 1/16 2 3/4	UELFLU214D1W3	257	216	38	22	62	20.5	159	89.55	85.7	34.15	M18 5/8
	UELFLU214-210D1W3											
	UELFLU214-211D1W3	10 1/8	8 1/2	1 1/2	8/8	2 7/16	1 7/16	6 1/4	3 1/32	3.374	1.344	
	UELFLU214-212D1W3											
75 2 1 1/16 2 3/8 2 1 1/16 3	UELFLU215D1W3	266	225	41	22	65	20.5	165	95.7	92	37.3	M18 5/8
	UELFLU215-213D1W3											
	UELFLU215-214D1W3	10 1/32	8 3/16	1 5/16	8/8	2 7/16	1 7/16	6 1/2	3 5/16	3.622	1.469	
	UELFLU215-215D1W3											
	UELFLU215-300D1W3											

Remarks: 1) These numbers indicate relubricatable type. If maintenance free type is needed, please order without suffix "D1".
Note: Please refer to page 25 for size of grease fitting.

Bearing number	Housing number	Mass of unit	
		kg	lb
UEL211D1W3	FLU211D1	3.5	
UEL211-200D1W3	FLU211D1		
UEL211-201D1W3	FLU211D1	7.7	
UEL211-202D1W3	FLU211D1		
UEL211-203D1W3	FLU211D1		
UEL212D1W3	FLU212D1	4.5	
UEL212-204D1W3	FLU212D1		
UEL212-205D1W3	FLU212D1	9.9	
UEL212-206D1W3	FLU212D1		
UEL212-207D1W3	FLU212D1		
UEL213D1W3	FLU213D1	5.6	
UEL213-208D1W3	FLU213D1	12	
UEL213-209D1W3	FLU213D1		
UEL214D1W3	FLU214D1	5.7	
UEL214-210D1W3	FLU214D1		
UEL214-211D1W3	FLU214D1	13	
UEL214-212D1W3	FLU214D1		
UEL215D1W3	FLU215D1	6.6	
UEL215-213D1W3	FLU215D1		
UEL215-214D1W3	FLU215D1	15	
UEL215-215D1W3	FLU215D1		
UEL215-300D1W3	FLU215D1		

Flanged units cast housing
Eccentric locking collar type

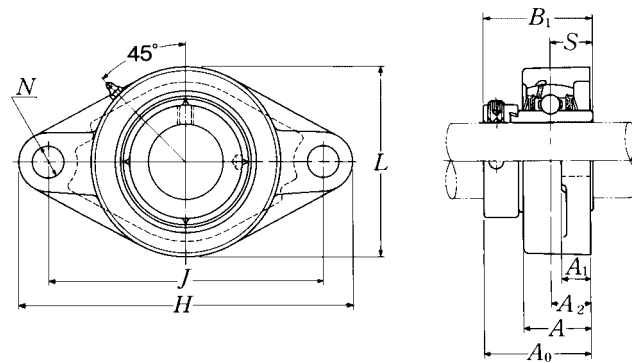


Shaft dia.	Unit number ¹⁾	Nominal dimensions										Bolt size	Bearing number
		mm					inch						
mm inch		H	J	A ₂	A ₁	A	N	L	A ₀	B ₁	S	mm inch	
20 #4	UELFL204D1W3 UELFL204-012D1W3	113 4 1/2	90 3 5/8	15 1 1/2	11 7/8	25.5 1	12 1 1/2	60 2 3/8	41.6 1 5/8	43.7 1.720	17.1 0.673	M10 #8	UEL204D1W3 UEL204-012D1W3
25 1 1/8 #8 1 1/4 1	UELFL205D1W3 UELFL205-013D1W3 UELFL205-014D1W3 UELFL205-015D1W3 UELFL205-100D1W3	130 5 1/8	99 3 7/8	16 5/8	13 1 1/2	27 1 1/8	16 5/8	68 2 11/64	42.9 1 11/16	44.4 1.748	17.5 0.689	M14 #2	UEL205D1W3 UEL205-013D1W3 UEL205-014D1W3 UEL205-015D1W3 UEL205-100D1W3
30 1 1/8 1 1/8 1 3/8 1 1/4	UELFL206D1W3 UELFL206-101D1W3 UELFL206-102D1W3 UELFL206-103D1W3 UELFL206-104D1W3	148 5 7/8	117 4 5/8	18 3/4	13 1 1/2	31 1 1/8	16 3/4	80 3 1/8	48.1 1 7/8	48.4 1.906	18.3 0.720	M14 #2	UEL206D1W3 UEL206-101D1W3 UEL206-102D1W3 UEL206-103D1W3 UEL206-104D1W3
35 1 1/4 1 3/8 1 3/8 1 3/8	UELFL207D1W3 UELFL207-104D1W3 UELFL207-105D1W3 UELFL207-106D1W3 UELFL207-107D1W3	161 6 11/32	130 5 1/8	19 #4	15 1 1/2	34 1 11/32	16 #8	90 3 11/32	51.3 2 1/64	51.1 2.012	18.8 0.740	M14 #2	UEL207D1W3 UEL207-104D1W3 UEL207-105D1W3 UEL207-106D1W3 UEL207-107D1W3
40 1 1/2 1 1/2	UELFL208D1W3 UELFL208-108D1W3 UELFL208-109D1W3	175 6 7/8	144 5 5/8	21 1 1/4	15 1 1/2	36 1 1/8	16 #8	100 3 1/8	55.9 2 1/16	56.3 2.217	21.4 0.843	M14 #2	UEL208D1W3 UEL208-108D1W3 UEL208-109D1W3
45 1 3/8 1 11/16 1 3/4	UELFL209D1W3 UELFL209-110D1W3 UELFL209-111D1W3 UELFL209-112D1W3	188 7 11/32	148 5 5/8	22 1 1/4	16 #8	38 1 1/2	19 #4	108 4 1/4	56.9 2 1/16	56.3 2.217	21.4 0.843	M16 #8	UEL209D1W3 UEL209-110D1W3 UEL209-111D1W3 UEL209-112D1W3
50 1 11/16 1 3/8 1 11/16 2	UELFL210D1W3 UELFL210-113D1W3 UELFL210-114D1W3 UELFL210-115D1W3 UELFL210-200D1W3	197 7 7/8	157 6 1/8	22 1 1/4	16 #8	40 1 1/2	19 #4	115 4 1/8	60.1 2 3/16	62.7 2.469	24.6 0.969	M16 #8	UEL210D1W3 UEL210-113D1W3 UEL210-114D1W3 UEL210-115D1W3 UEL210-200D1W3

Remarks: 1) These numbers indicate relubricatable type. If maintenance free type is needed, please order without suffix "D1".
Note: Please refer to page 25 for size of grease fitting.

Housing number	Mass of unit
	kg lb
FL204D1	0.6
FL204D1	1.3
FL205D1	0.7
FL205D1	
FL205D1	1.5
FL205D1	
FL205D1	
FL206D1	1.0
FL206D1	
FL206D1	2.2
FL206D1	
FL206D1	
FL207D1	1.3
FL207D1	
FL207D1	2.9
FL207D1	
FL207D1	
FL208D1	1.7
FL208D1	3.7
FL208D1	
FL209D1	2.0
FL209D1	
FL209D1	4.4
FL209D1	
FL210D1	2.3
FL210D1	
FL210D1	5.1
FL210D1	
FL210D1	

Flanged units cast housing
Eccentric locking collar type

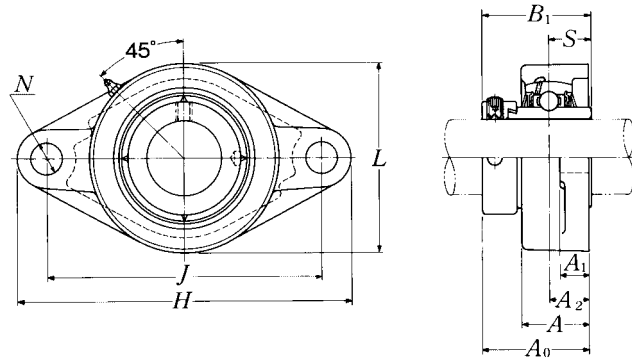


Shaft dia.	Unit number ¹⁾	Nominal dimensions										Bolt size	Bearing number
		mm					inch						
		H	J	A ₂	A ₁	A	N	L	A ₀	B ₁	S		
55	UELFL211D1W3	224	184	25	18	43	19	130	68.6	71.4	27.8	M16	UEL211D1W3
2	UELFL211-200D1W3												UEL211-200D1W3
2 1/16	UELFL211-201D1W3	8 1/16	7 1/4	1 5/16	3/8	1 1/16	3/4	5 1/8	2 5/8	2.811	1.094	5/8	UEL211-201D1W3
2 1/8	UELFL211-202D1W3												UEL211-202D1W3
2 3/16	UELFL211-203D1W3												UEL211-203D1W3
60	UELFL212D1W3	250	202	29	18	48	23	140	75.8	77.8	31	M20	UEL212D1W3
2 1/4	UELFL212-204D1W3												UEL212-204D1W3
2 3/16	UELFL212-205D1W3	9 9/32	7 1/16	1 1/16	3/8	1 7/8	1 1/2	5 1/2	2 7/8	3.063	1.220	3/4	UEL212-205D1W3
2 3/8	UELFL212-206D1W3												UEL212-206D1W3
2 7/16	UELFL212-207D1W3												UEL212-207D1W3
65	UELFL213D1W3	258	210	30	22	50	23	155	81.55	85.7	34.15	M20	UEL213D1W3
2 1/2	UELFL213-208D1W3												UEL213-208D1W3
2 1/16	UELFL213-209D1W3	10 3/32	8 1/8	1 1/16	7/8	1 1/2	1 1/2	6 3/32	3 1/8	3.374	1.344	3/4	UEL213-209D1W3
70	UELFL214D1W3	265	216	31	22	54	23	160	82.55	85.7	34.15	M20	UEL214D1W3
2 3/8	UELFL214-210D1W3												UEL214-210D1W3
2 1 1/16	UELFL214-211D1W3	10 7/16	8 1/2	1 1/32	7/8	2 1/8	1 1/2	6 1/16	3 1/4	3.374	1.344	3/4	UEL214-211D1W3
2 3/4	UELFL214-212D1W3												UEL214-212D1W3
75	UELFL215D1W3	275	225	34	22	56	23	165	88.7	92	37.3	M20	UEL215D1W3
2 1 1/16	UELFL215-213D1W3												UEL215-213D1W3
2 3/8	UELFL215-214D1W3												UEL215-214D1W3
2 1 1/16	UELFL215-215D1W3	10 1 1/16	8 3/8	1 1 1/32	7/8	2 3/32	1 1/2	6 1/2	3 1/8	3.622	1.469	3/4	UEL215-215D1W3
3	UELFL215-300D1W3												UEL215-300D1W3

Remarks: 1) These numbers indicate relubricatable type. If maintenance free type is needed, please order without suffix "D1".
Note: Please refer to page 25 for size of grease fitting.

Housing number	Mass of unit
	kg lb
FL211D1	3.3
FL211D1	
FL211D1	7.3
FL211D1	
FL211D1	
FL212D1	4.3
FL212D1	
FL212D1	9.5
FL212D1	
FL212D1	
FL213D1	5.5
FL213D1	12
FL213D1	
FL214D1	5.8
FL214D1	
FL214D1	13
FL214D1	
FL215D1	6.4
FL215D1	
FL215D1	14
FL215D1	
FL215D1	

Flanged units cast housing
Eccentric locking collar type



Shaft dia.	Unit number ^{1) 2)}	Nominal dimensions										Bolt size	Bearing number
		mm					inch						
		H	J	A ₂	A ₁	A	N	L	A ₀	B ₁	S		
25	UELFL305D1W3	150	113	16	13	29	19	80	46.1	46.8	16.7	M16	UEL305D1W3
1 7/16	UELFL305-013D1W3												UEL305-013D1W3
1 1/8	UELFL305-014D1W3	5 1/32	4 1/64	3/8	1/2	1 1/32	3/4	3 1/32	1 11/16	1.843	0.657	3/8	UEL305-014D1W3
1 3/8	UELFL305-015D1W3												UEL305-015D1W3
1	UELFL305-100D1W3												UEL305-100D1W3
30	UELFL306D1W3	180	134	18	15	32	23	90	50.5	50	17.5	M20	UEL306D1W3
1 1/8	UELFL306-101D1W3												UEL306-101D1W3
1 1/8	UELFL306-102D1W3	7 1/32	5 1/32	3/64	1/32	1 1/4	1/2	3 1/32	1 7/64	1.969	0.689	3/4	UEL306-102D1W3
1 1/8	UELFL306-103D1W3												UEL306-103D1W3
35	UELFL307D1W3	185	141	20	16	36	23	100	53.3	51.6	18.3	M20	UEL307D1W3
1 1/4	UELFL307-104D1W3												UEL307-104D1W3
1 3/8	UELFL307-105D1W3	7 1/32	5 3/64	1/32	3/8	1 1/32	1/2	3 1/16	2 1/32	2.031	0.720	3/4	UEL307-105D1W3
1 3/8	UELFL307-106D1W3												UEL307-106D1W3
1 3/8	UELFL307-107D1W3												UEL307-107D1W3
40	UELFL308D1W3	200	158	23	17	40	23	112	60.3	57.1	19.8	M20	UEL308D1W3
1 1/2	UELFL308-108D1W3												UEL308-108D1W3
1 1/2	UELFL308-109D1W3	7 3/8	6 1/32	1/32	1 1/32	1 1/8	1/2	4 1/32	2 1/8	2.248	0.780	3/4	UEL308-109D1W3
45	UELFL309D1W3	230	177	25	18	44	25	125	63.9	58.7	19.8	M22	UEL309D1W3
1 3/8	UELFL309-110D1W3												UEL309-110D1W3
1 1 1/8	UELFL309-111D1W3	9 1/16	6 1/32	1/64	1/32	1 1/32	1/2	4 1/32	2 1/64	2.311	0.780	3/8	UEL309-111D1W3
1 3/4	UELFL309-112D1W3												UEL309-112D1W3
50	UELFL310D1W3	240	187	28	19	48	25	140	70	66.6	24.6	M22	UEL310D1W3
1 1 3/8	UELFL310-113D1W3												UEL310-113D1W3
1 3/8	UELFL310-114D1W3	9 3/16	7 1/64	1/64	3/4	1 3/8	1/2	5 1/2	2 1/4	2.622	0.969	3/8	UEL310-114D1W3
1 1 3/8	UELFL310-115D1W3												UEL310-115D1W3
55	UELFL311D1W3	250	198	30	20	52	25	150	75.2	73	27.8	M22	UEL311D1W3
2	UELFL311-200D1W3												UEL311-200D1W3
2 1/8	UELFL311-201D1W3	9 1/32	7 1/64	1 1/16	1/32	2 1/8	1/2	5 1/32	2 1/64	2.874	1.094	3/8	UEL311-201D1W3
2 1/8	UELFL311-202D1W3												UEL311-202D1W3
2 3/8	UELFL311-203D1W3												UEL311-203D1W3

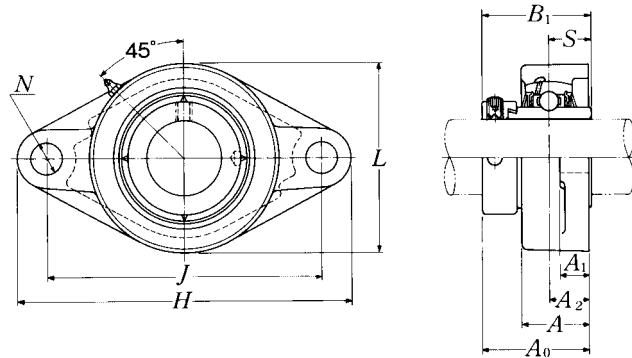
Remarks: 1) These numbers indicate relubricatable type. If maintenance free type is needed, please order without suffix "D1".

2) Inner race face does not protrude from the housing face except UELFL305 and UELFL316.

Note: Please refer to page 25 for size of grease fitting.

Housing number	Mass of unit
	kg lb
FL305D1	1.1
FL305D1	
FL305D1	2.4
FL305D1	
FL305D1	
FL306D1	1.6
FL306D1	
FL306D1	3.5
FL306D1	
FL307D1	2.0
FL307D1	
FL307D1	4.4
FL307D1	
FL307D1	
FL308D1	2.6
FL308D1	
FL308D1	5.7
FL309D1	3.6
FL309D1	
FL309D1	7.9
FL309D1	
FL310D1	4.6
FL310D1	
FL310D1	10
FL310D1	
FL311D1	5.3
FL311D1	
FL311D1	12
FL311D1	
FL311D1	

Flanged units cast housing
Eccentric locking collar type



Shaft dia.	Unit number ^{1) 2)}	Nominal dimensions										Bolt size	Bearing number
		mm					inch						
		H	J	A ₂	A ₁	A	N	L	A ₀	B ₁	S		
60	UELFL312D1W3	270	212	33	22	56	31	160	81.45	79.4	30.95	M27	UEL312D1W3
2 1/4	UELFL312-204D1W3												UEL312-204D1W3
2 3/8	UELFL312-205D1W3	10 3/8	8 1/32	1 1/64	8/8	2 3/32	1 3/32	6 3/16	3 1/64	3.126	1.219	1	UEL312-205D1W3
2 3/8	UELFL312-206D1W3												UEL312-206D1W3
2 3/8	UELFL312-207D1W3												UEL312-207D1W3
65	UELFL313D1W3	295	240	33	25	58	31	175	86.15	85.7	32.55	M27	UEL313D1W3
2 1/2	UELFL313-208D1W3												UEL313-208D1W3
2 3/8	UELFL313-209D1W3	11 3/8	9 3/64	1 1/64	1 1/32	2 1/32	1 3/32	6 3/8	3 3/64	3.374	1.281	1	UEL313-209D1W3
70	UELFL314D1W3	315	250	36	28	61	35	185	93.95	92.1	34.15	M30	UEL314D1W3
2 3/8	UELFL314-210D1W3												UEL314-210D1W3
2 1 1/8	UELFL314-211D1W3	12 1/32	9 3/32	1 3/64	1 1/32	2 1/32	1 3/8	7 1/32	3 3/64	3.626	1.344	1 1/8	UEL314-211D1W3
2 3/4	UELFL314-212D1W3												UEL314-212D1W3
75	UELFL315D1W3	320	260	39	30	66	35	195	101.7	100	37.3	M30	UEL315D1W3
2 1 3/8	UELFL315-213D1W3												UEL315-213D1W3
2 3/8	UELFL315-214D1W3	12 1/32	10 1/64	1 1/32	1 1/16	2 1/32	1 3/8	7 1/16	4	3.937	1.469	1 1/8	UEL315-214D1W3
2 1 3/8	UELFL315-215D1W3												UEL315-215D1W3
3	UELFL315-300D1W3												UEL315-300D1W3
80	UELFL316D1W3	355	285	38	32	68	38	210	103.9	106.4	40.5	M33	UEL316D1W3
3 1/8	UELFL316-301D1W3												UEL316-301D1W3
3 1/8	UELFL316-302D1W3	13 1/32	11 3/32	1 1/2	1 1/4	2 1 1/8	1 1/2	8 1/32	4 3/32	4.189	1.594	1 1/4	UEL316-302D1W3
3 3/8	UELFL316-303D1W3												UEL316-303D1W3
85	UELFL317D1W3	370	300	44	32	74	38	220	111.45	109.5	42.05	M33	UEL317D1W3
3 1/4	UELFL317-304D1W3												UEL317-304D1W3
3 3/8	UELFL317-305D1W3	14 1/16	11 1/16	1 5/64	1 1/4	2 3/32	1 1/2	8 3/32	4 3/64	4.311	1.656	1 1/4	UEL317-305D1W3
3 3/8	UELFL317-307D1W3												UEL317-307D1W3
90	UELFL318D1W3	385	315	44	36	76	38	235	116.25	115.9	43.65	M33	UEL318D1W3
3 3/8	UELFL318-307D1W3												UEL318-307D1W3
3 1/2	UELFL318-308D1W3	15 3/32	12 1/32	1 5/64	1 1/32	3	1 1/2	9 1/4	4 3/64	4.563	1.719	1 1/4	UEL318-308D1W3

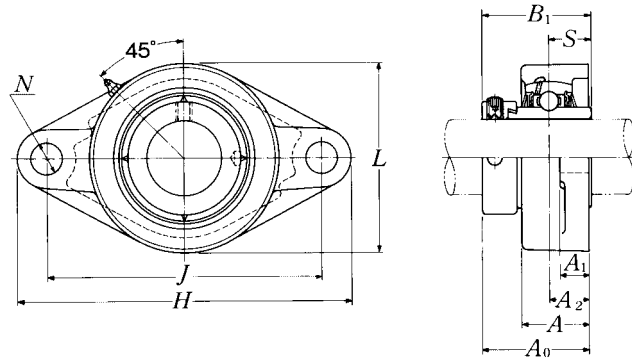
Remarks: 1) These numbers indicate relubricatable type. If maintenance free type is needed, please order without suffix "D1".

2) Inner race face does not protrude from the housing face except UELFL305 and UELFL316.

Note: Please refer to page 25 for size of grease fitting.

Housing number	Mass of unit
	kg lb
FL312D1	6.4
FL312D1	
FL312D1	14
FL312D1	
FL312D1	
FL313D1	8.2
FL313D1	18
FL313D1	
FL314D1	9.5
FL314D1	
FL314D1	21
FL314D1	
FL315D1	11
FL315D1	
FL315D1	24
FL315D1	
FL315D1	
FL316D1	14
FL316D1	
FL316D1	31
FL316D1	
FL317D1	16
FL317D1	
FL317D1	35
FL317D1	
FL318D1	19
FL318D1	42
FL318D1	

Flanged units cast housing
Eccentric locking collar type



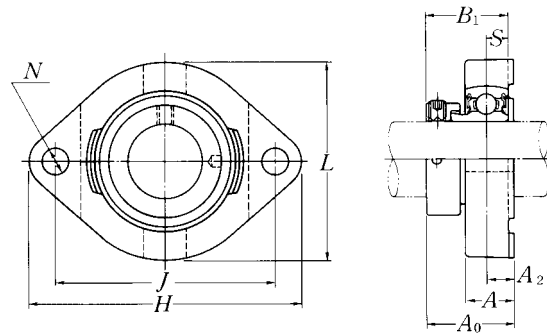
Shaft dia.	Unit number ^{1) 2)}	Nominal dimensions											Bolt size	Bearing number
		mm						inch						
		H	J	A ₂	A ₁	A	N	L	A ₀	B ₁	S			
95	UELFL319D1W3	405	330	59	40	94	41	250	142.4	122.3	38.9	M36	UEL319D1W3	
3 ^{3/8}	UELFL319-310D1W3												UEL319-310D1W3	
3 ^{11/16}	UELFL319-311D1W3	15 ^{1/16}	12 ^{7/16}	2 ^{1/4}	1 ^{1/8}	3 ^{11/16}	1 ^{7/16}	9 ^{3/32}	5 ^{5/16}	4.815	1.531	1 ^{7/8}	UEL319-311D1W3	
3 ^{3/4}	UELFL319-312D1W3												UEL319-312D1W3	
100	UELFL320D1W3	440	360	59	40	94	44	270	137.6	128.6	50	M39	UEL320D1W3	
3 ^{13/16}	UELFL320-313D1W3												UEL320-313D1W3	
3 ^{7/8}	UELFL320-314D1W3												UEL320-314D1W3	
3 ^{15/16}	UELFL320-315D1W3	17 ^{1/16}	14 ^{1/16}	2 ^{1/4}	1 ^{1/8}	3 ^{11/16}	1 ^{5/8}	10 ^{3/8}	5 ^{1/4}	5.063	1.969	1 ^{1/2}	UEL320-315D1W3	
4	UELFL320-400D1W3												UEL320-400D1W3	
105	UELFL321D1W3	440	360	59	40	94	44	270	150.3	139.7	48.4	M39	UEL321D1W3	
110	UELFL322D1W3	470	390	60	42	96	44	300	152.1	141.3	49.2	M39	UEL322D1W3	

Remarks: 1) These numbers indicate relubricatable type. If maintenance free type is needed, please order without suffix "D1".

Note: Please refer to page 25 for size of grease fitting.

Housing number	Mass of unit
	kg lb
FL319D1	24
FL319D1	
FL319D1	53
FL319D1	
FL320D1	29
FL320D1	
FL320D1	64
FL320D1	
FL320D1	
FL321D1	30
FL322D1	36

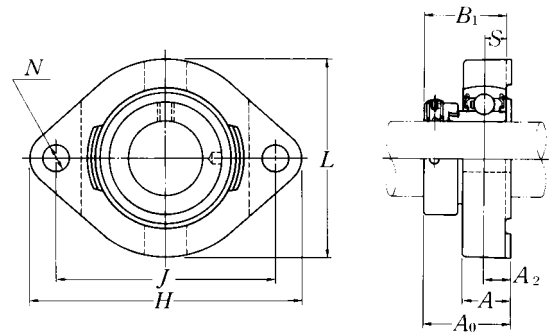
Flanged units cast housing
Eccentric locking collar type



Shaft dia.	Unit number ¹⁾	Nominal dimensions									Bolt size	Bearing ¹⁾ number	Housing ¹⁾ number	Mass of unit
		mm			inch			mm	inch	mm				
mm inch		H	J	A ₂	A	N	L	A ₀	B ₁	S				
12	AELFD201W3	81	63	8.5	15	7	59	30.6	28.6	6.5	M 6	AEL201W3	FD201	0.3
1/2	AELFD201-008W3	3 1/16	2 5/16	5/16	1/2	7/32	2 3/16	1 1/8	1.126	0.256	1/4	AEL201-008W3	FD201	0.7
15	AELFD202W3	81	63	8.5	15	7	59	30.6	28.6	6.5	M 6	AEL202W3	FD201	0.3
3/8	AELFD202-009W3	3 1/16	2 5/16	5/16	1/2	7/32	2 3/16	1 1/8	1.126	0.256	1/4	AEL202-009W3	FD201	0.7
5/8	AELFD202-010W3	3 1/16	2 5/16	5/16	1/2	7/32	2 3/16	1 1/8	1.126	0.256	1/4	AEL202-010W3	FD201	0.7
17	AELFD203W3	81	63	8.5	15	7	59	30.6	28.6	6.5	M 6	AEL203W3	FD201	0.3
1 1/16	AELFD203-011W3	3 1/16	2 5/16	5/16	1/2	7/32	2 3/16	1 1/8	1.126	0.256	1/4	AEL203-011W3	FD201	0.7
20	AELFD204W3	90	71	9.5	17	10	67	33	31	7.5	M 8	AEL204W3	FD204	0.5
3/4	AELFD204-012W3	3 1/8	2 7/16	3/8	1 1/8	1 1/4	2 5/8	1 1/8	1.220	0.295	3/8	AEL204-012W3	FD204	1.1
25	AELFD205W3	95	76	9.5	17	10	71	33	31	7.5	M 8	AEL205W3	FD205	0.5
1 3/16	AELFD205-013W3											AEL205-013W3	FD205	
5/8	AELFD205-014W3	3 3/4	2 7/8	3/8	1 1/8	1 1/4	2 7/8	1 1/8	1.220	0.295	3/8	AEL205-014W3	FD205	1.1
1 1/16	AELFD205-015W3											AEL205-015W3	FD205	
1	AELFD205-100W3											AEL205-100W3	FD205	
30	AELFD206W3	113	90	12	21	12	84	38.7	35.7	9	M10	AEL206W3	FD206	0.8
1 1/16	AELFD206-101W3											AEL206-101W3	FD206	
1 1/8	AELFD206-102W3	4 3/16	3 1/8	1 1/8	1 3/8	1 1/4	3 1/16	1 5/8	1.406	0.354	3/8	AEL206-102W3	FD206	1.8
1 3/16	AELFD206-103W3											AEL206-103W3	FD206	
1 1/4	AELFD206-104W3											AEL206-104W3	FD206	
35	AELFD207W3	125	100	12.5	22	12	94	41.9	38.9	9.5	M10	AEL207W3	FD207	1.0
1 1/4	AELFD207-104W3											AEL207-104W3	FD207	
1 3/16	AELFD207-105W3	4 3/8	3 1/16	1 1/8	1 3/4	1 1/4	3 1/16	1 5/8	1.531	0.374	3/8	AEL207-105W3	FD207	2.2
1 3/8	AELFD207-106W3											AEL207-106W3	FD207	
1 7/16	AELFD207-107W3											AEL207-107W3	FD207	

Remarks: 1) If relubricatable type is needed, please order with suffix "A-" "D1". ex. A-AELFD201D1W3

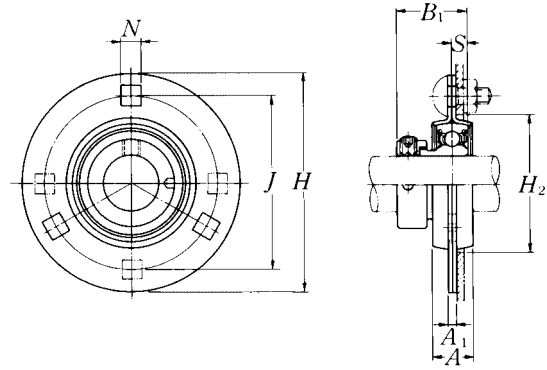
Flanged units cast housing
Eccentric locking collar type



Shaft dia.	Unit number ¹⁾	Nominal dimensions									Bolt size	Bearing ¹⁾ number	Housing ¹⁾ number	Mass of unit	
		mm			inch			mm	inch	kg					lb
mm inch		H	J	A ₂	A	N	L	A ₀	B ₁	S	mm inch			kg	lb
12 !2	JELFD201W3	81	63	8.5	15	7	59	30.6	28.6	6.5	M 6	JEL201W3	FD201	0.3	
	JELFD201-008W3	3#76	2#164	@164	!(32	(32	2%76	1!#64	1.126	0.256	!4	JEL201-008W3	FD201	0.7	
15 (76 %8	JELFD202W3	81	63	8.5	15	7	59	30.6	28.6	6.5	M 6	JEL202W3	FD201	0.3	
	JELFD202-009W3	3#76	2#164	@164	!(32	(32	2%76	1!#64	1.126	0.256	!4	JEL202-009W3	FD201	0.7	
	JELFD202-010W3											JEL202-010W3	FD201		
17 !!76	JELFD203W3	81	63	8.5	15	7	59	30.6	28.6	6.5	M 6	JEL203W3	FD201	0.3	
	JELFD203-011W3	3#76	2#164	@164	!(32	(32	2%76	1!#64	1.126	0.256	!4	JEL203-011W3	FD201	0.7	
20 ##	JELFD204W3	90	71	9.5	17	10	67	33	31	7.5	M 8	JEL204W3	FD204	0.5	
	JELFD204-012W3	3!&32	2%164	#8	@!32	@%64	2%8	1!(64	1.220	0.295	%76	JEL204-012W3	FD204	1.1	
25 !#76 &8 !%76 1	JELFD205W3	95	76	9.5	17	10	71	33	31	7.5	M 8	JEL205W3	FD205	0.5	
	JELFD205-013W3											JEL205-013W3	FD205		
	JELFD205-014W3	3#4	2^#64	#8	@!32	@%64	2@%32	1!(64	1.220	0.295	%76	JEL205-014W3	FD205	1.1	
	JELFD205-015W3											JEL205-015W3	FD205		
	JELFD205-100W3											JEL205-100W3	FD205		
30 1!76 1!8 1#76 1!4	JELFD206W3	113	90	12	21	12	84	38.7	35.7	9	M10	JEL206W3	FD206	0.8	
	JELFD206-101W3											JEL206-101W3	FD206		
	JELFD206-102W3	4&76	3!&32	!%32	!#76	!%32	3%76	1!&32	1.406	0.354	#8	JEL206-102W3	FD206	1.8	
	JELFD206-104W3											JEL206-104W3	FD206		
35 1!4 1%76 1#8 1&76	JELFD207W3	125	100	12.5	22	12	94	41.9	38.9	9.5	M10	JEL207W3	FD207	1.0	
	JELFD207-104W3											JEL207-104W3	FD207		
	JELFD207-105W3	4@32	3!%76	#164	&8	!%32	3!176	1@!32	1.531	0.374	#8	JEL207-105W3	FD207	2.2	
	JELFD207-106W3											JEL207-106W3	FD207		
	JELFD207-107W3											JEL207-107W3	FD207		

Remarks: 1) If relubricatable type is needed, please order with suffix "A-" "D1". ex. A-JELFD201D1W3

Flanged units pressed steel housing
Eccentric locking collar type

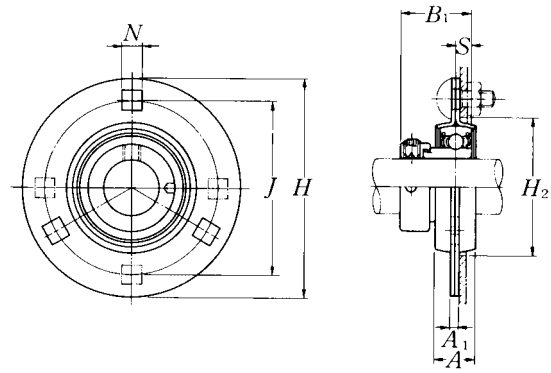


Shaft dia. mm inch	Unit number	Nominal dimensions								Bolt size mm inch	Max. load recommended		Bearing number
		mm				inch					N radial	lbf axial	
		H	J	A ₁	N ¹⁾	A	B ₁	S	H ₂ min.				
12 1/2	AELPF201W3 AELPF201-008W3	81 3 1/8	63.5 2 1/2	4 0.157	7.1 3/32	14 1/2	28.6 1.126	6.5 0.256	49 1 3/4	M6 1/4	2 700 600	1 350 300	AEL201W3 AEL201-008W3
15 3/8 5/8	AELPF202W3 AELPF202-009W3 AELPF202-010W3	81 3 1/8	63.5 2 1/2	4 0.157	7.1 3/32	14 1/2	28.6 1.126	6.5 0.256	49 1 3/4	M6 1/4	2 700 600	1 350 300	AEL202W3 AEL202-009W3 AEL202-010W3
17 1 1/8	AELPF203W3 AELPF203-011W3	81 3 1/8	63.5 2 1/2	4 0.157	7.1 3/32	14 1/2	28.6 1.126	6.5 0.256	49 1 3/4	M6 1/4	2 700 600	1 350 300	AEL203W3 AEL203-011W3
20 3/4	AELPF204W3 AELPF204-012W3	90 3 1/8	71.5 2 7/8	4 0.157	9 3/8	16 5/8	31 1.220	7.5 0.295	56 2 1/8	M8 3/8	3 000 660	1 500 330	AEL204W3 AEL204-012W3
25 1 3/8 1 3/4 1 5/8 1	AELPF205W3 AELPF205-013W3 AELPF205-014W3 AELPF205-015W3 AELPF205-100W3	95 3 3/4	76 2 5/8	4 0.157	9 3/8	18 3/4	31 1.220	7.5 0.295	60 2 3/8	M8 3/8	4 000 880	2 000 440	AEL205W3 AEL205-013W3 AEL205-014W3 AEL205-015W3 AEL205-100W3
30 1 1/8 1 1/4 1 3/8 1 1/2	AELPF206W3 AELPF206-101W3 AELPF206-102W3 AELPF206-103W3 AELPF206-104W3	113 4 1/2	90.5 3 1/8	5.2 0.205	11 7/8	18 3/4	35.7 1.406	9 0.354	71 2 7/8	M10 #8	5 000 1 100	2 500 550	AEL206W3 AEL206-101W3 AEL206-102W3 AEL206-103W3 AEL206-104W3
35 1 1/4 1 3/8 1 3/4 1 7/8 1 5/8	AELPF207W3 AELPF207-104W3 AELPF207-105W3 AELPF207-106W3 AELPF207-107W3	122 4 1/2	100 3 1/8	5.2 0.205	11 7/8	20 3/4	38.9 1.531	9.5 0.374	81 3 1/8	M10 #8	6 000 1 300	3 000 650	AEL207W3 AEL207-104W3 AEL207-105W3 AEL207-106W3 AEL207-107W3
40 1 1/2 1 3/4	AELPF208W3 AELPF208-108W3 AELPF208-109W3	148 5 1/8	119 4 1/2	6.8 0.268	13.5 1 1/8	21 1 1/8	43.7 1.720	11 0.433	91 3 5/8	M12 1/2	7 000 1 500	3 500 750	AEL208W3 AEL208-108W3 AEL208-109W3

Remarks: 1) AELPF208 has four bolt holes.

Housing number	Mass of unit	
	kg	lb
PF203	0.2	
PF203	0.4	
PF203	0.2	
PF203	0.4	
PF203	0.4	
PF203	0.2	
PF203	0.4	
PF204	0.3	
PF204	0.7	
PF205	0.4	
PF205		
PF205	0.9	
PF205		
PF205		
PF206	0.6	
PF206		
PF206	1.3	
PF206		
PF206		
PF207	0.8	
PF207		
PF207	1.8	
PF207		
PF207		
PF208	1.3	
PF208	2.9	
PF208		

Flanged units pressed steel housing
Eccentric locking collar type

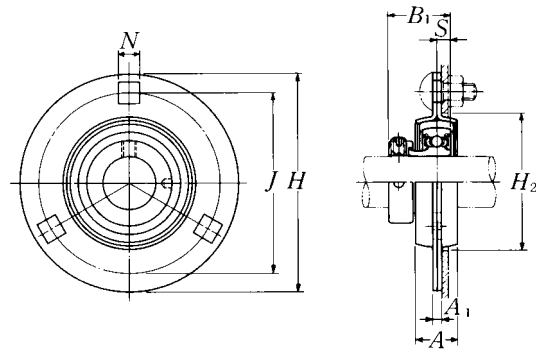


Shaft dia. mm inch	Unit number	Nominal dimensions								Bolt size mm inch	Max. load recommended		Bearing number
		mm				inch					N radial	lbf axial	
		H	J	A ₁	N ¹⁾	A	B ₁	S	H ₂ min.				
12 !2	JELPF201W3 JELPF201-008W3	81 3#7/6	63.5 212	4 0.157	7.1 (32)	14 (7/6)	28.6 1.126	6.5 0.256	49 1#(64)	M6 !4	2 700 600	1 350 300	JEL201W3 JEL201-008W3
15 (7/6 %8	JELPF202W3 JELPF202-009W3 JELPF202-010W3	81 3#7/6	63.5 212	4 0.157	7.1 (32)	14 (7/6)	28.6 1.126	6.5 0.256	49 1#(64)	M6 !4	2 700 600	1 350 300	JEL202W3 JEL202-009W3 JEL202-010W3
17 !!7/6	JELPF203W3 JELPF203-011W3	81 3#7/6	63.5 212	4 0.157	7.1 (32)	14 (7/6)	28.6 1.126	6.5 0.256	49 1#(64)	M6 !4	2 700 600	1 350 300	JEL203W3 JEL203-011W3
20 #4	JELPF204W3 JELPF204-012W3	90 3!&32	71.5 2!#7/6	4 0.157	9 #64	16 %8	31 1.220	7.5 0.295	56 2!#64	M8 %7/6	3 000 660	1 500 330	JEL204W3 JEL204-012W3
25 !#7/6 &8 !%7/6 1	JELPF205W3 JELPF205-013W3 JELPF205-014W3 JELPF205-015W3 JELPF205-100W3	95 3#4	76 2^#64	4 0.157	9 #64	18 #32	31 1.220	7.5 0.295	60 2#64	M8 %7/6	4 000 800	2 000 440	JEL205W3 JEL205-013W3 JEL205-014W3 JEL205-015W3 JEL205-100W3
30 1!7/6 1!8 1#7/6 1!4	JELPF206W3 JELPF206-101W3 JELPF206-102W3 JELPF206-103W3 JELPF206-104W3	113 4&7/6	90.5 3(7/6	5.2 0.205	11 &7/6	18 #32	35.7 1.406	9 0.354	71 2#!64	M10 #8	5 000 1 100	2 500 550	JEL206W3 JEL206-101W3 JEL206-102W3 JEL206-103W3 JEL206-104W3
35 1!4 1%7/6 1#8 1&7/6	JELPF207W3 JELPF207-104W3 JELPF207-105W3 JELPF207-106W3 JELPF207-107W3	122 4!#7/6	100 3!%7/6	5.2 0.205	11 &7/6	20 #32	38.9 1.531	9.5 0.374	81 3#7/6	M10 #8	6 000 1 300	3 000 650	JEL207W3 JEL207-104W3 JEL207-105W3 JEL207-106W3 JEL207-107W3
40 1!2 1(7/6	JELPF208W3 JELPF208-108W3 JELPF208-109W3	148 5#7/6	119 4!!7/6	6.8 0.268	13.5 !&32	21 !#7/6	43.7 1.720	11 0.433	91 3#&64	M12 !2	7 000 1 500	3 500 750	JEL208W3 JEL208-108W3 JEL208-109W3

Remarks: 1) JELPF208 has four bolt holes.

Housing number	Mass of unit	
	kg	lb
PF203	0.2	
PF203	0.4	
PF203	0.2	
PF203	0.4	
PF203	0.4	
PF204	0.3	
PF204	0.7	
PF205	0.4	
PF205		
PF205	0.9	
PF205		
PF205		
PF206	0.6	
PF206		
PF206	1.3	
PF206		
PF206		
PF207	0.8	
PF207		
PF207	1.8	
PF207		
PF207		
PF208	1.3	
PF208	2.9	
PF208		

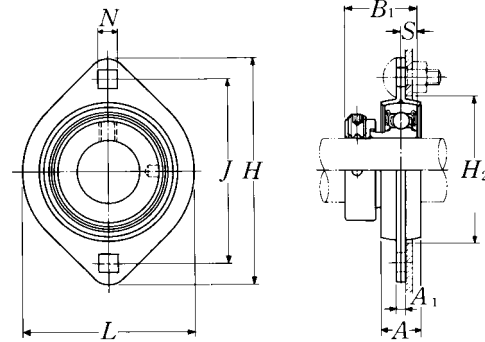
Flanged units pressed steel housing with rubber ring
Eccentric locking collar type



Shaft dia. mm inch	Unit number	Nominal dimensions								Bolt size mm inch	Max. load recommended		Bearing number
		mm				inch					N	lbf	
		H	J	A ₁	N	A	B ₁	S	H ₂ min.	mm inch	radial	axial	
12 1/2	AELRPF201W3 AELRPF201-008W3	90 3 1/2	71.5 2 7/8	4 0.157	9 3/4	16 5/8	28.6 1.126	6.5 0.256	56 2 1/4	M8 5/16	1 000 220	200 40	AEL201W3 AEL201-008W3
15 1/2 5/8	AELRPF202W3 AELRPF202-009W3 AELRPF202-010W3	90 3 1/2	71.5 2 7/8	4 0.157	9 3/4	16 5/8	28.6 1.126	6.5 0.256	56 2 1/4	M8 5/16	1 000 220	200 40	AEL202W3 AEL202-009W3 AEL202-010W3
17 1 1/8	AELRPF203W3 AELRPF203-011W3	90 3 1/2	71.5 2 7/8	4 0.157	9 3/4	16 5/8	28.6 1.126	6.5 0.256	56 2 1/4	M8 5/16	1 000 220	200 40	AEL203W3 AEL203-011W3
20 3/4	AELRPF204W3 AELRPF204-012W3	95 3 3/4	76 2 7/8	4 0.157	9 3/4	18 3/2	31 1.220	7.5 0.295	60 2 3/4	M8 5/16	1 150 250	200 40	AEL204W3 AEL204-012W3
25 1 7/8 1 3/4 1 1/2 1	AELRPF205W3 AELRPF205-013W3 AELRPF205-014W3 AELRPF205-015W3 AELRPF205-100W3	113 4 1/2	90.5 3 1/2	5.2 0.205	11 7/8	18 3/2	31 1.220	7.5 0.295	71 2 3/4	M10 #8	1 300 280	200 40	AEL205W3 AEL205-013W3 AEL205-014W3 AEL205-015W3 AEL205-100W3
30 1 1/8 1 1/8 1 1/8 1 1/4	AELRPF206W3 AELRPF206-101W3 AELRPF206-102W3 AELRPF206-103W3 AELRPF206-104W3	122 4 1/2	100 3 1/2	5.2 0.205	11 7/8	20 3/2	35.7 1.406	9 0.354	81 3 1/8	M10 #8	1 500 330	200 40	AEL206W3 AEL206-101W3 AEL206-102W3 AEL206-103W3 AEL206-104W3

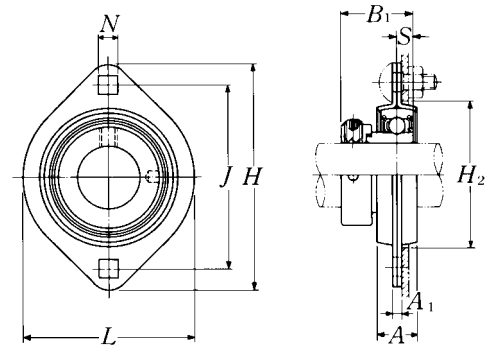
Housing number		Mass of unit kg lb
Rubber	Housing	
R201	PF204	0.3
R201	PF204	0.7
R201	PF204	0.3
R201	PF204	0.7
R201	PF204	0.7
R201	PF204	0.7
R204	PF205	0.4
R204	PF205	0.9
R205	PF206	0.5
R205	PF206	
R205	PF206	1.1
R205	PF206	
R205	PF206	
R206	PF207	0.7
R206	PF207	
R206	PF207	1.5
R206	PF207	
R206	PF207	

Flanged units pressed steel housing
Eccentric locking collar type



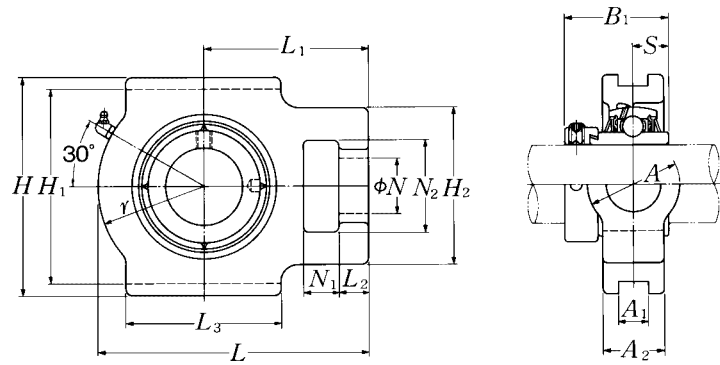
Shaft dia.	Unit number	Nominal dimensions									Bolt size	Bearing number	Housing number	Mass of unit
		mm			inch			mm	inch	mm				
mm inch		H	J	A ₁	N	A	L	B ₁	S	H ₂				
12 !2	AELPFL201W3 AELPFL201-008W3	81 3#7/6	63.5 2!2	4 0.157	7.1 (32	14 (76	59 2#7/6	28.6 1.126	6.5 0.256	49 1#(64	M 6 !4	AEL201W3 AEL201-008W3	PFL203 PFL203	0.2 0.4
15 (76 %8	AELPFL202W3 AELPFL202-009W3 AELPFL202-010W3	81 3#7/6	63.5 2!2	4 0.157	7.1 (32	14 (76	59 2#7/6	28.6 1.126	6.5 0.256	49 1#(64	M 6 !4	AEL202W3 AEL202-009W3 AEL202-010W3	PFL203 PFL203 PFL203	0.2 0.4
17 !!76	AELPFL203W3 AELPFL203-011W3	81 3#7/6	63.5 2!2	4 0.157	7.1 (32	14 (76	59 2#7/6	28.6 1.126	6.5 0.256	49 1#(64	M 6 !4	AEL203W3 AEL203-011W3	PFL203 PFL203	0.1 0.2
20 #4	AELPFL204W3 AELPFL204-012W3	90 3!&32	71.5 2!#7/6	4 0.157	9 @#64	16 %8	67 2%3/8	31 1.220	7.5 0.295	56 2!#64	M 8 %76	AEL204W3 AEL204-012W3	PFL204 PFL204	0.3 0.7
25 !#76 &8 !%76 1	AELPFL205W3 AELPFL205-013W3 AELPFL205-014W3 AELPFL205-015W3 AELPFL205-100W3	95 3#4	76 2^#64	4 0.157	9 @#64	18 @#32	71 2@%32	31 1.220	7.5 0.295	60 2@#64	M 8 %76	AEL205W3 AEL205-013W3 AEL205-014W3 AEL205-015W3 AEL205-100W3	PFL205 PFL205 PFL205 PFL205 PFL205	0.3 0.7
30 1!76 1!8 1#76 1!4	AELPFL206W3 AELPFL206-101W3 AELPFL206-102W3 AELPFL206-103W3 AELPFL206-104W3	113 4&7/6	90.5 3(7/6	5.2 0.205	11 &7/6	18 @#32	84 3%7/6	35.7 1.406	9 0.354	71 2#!64	M10 #8	AEL206W3 AEL206-101W3 AEL206-102W3 AEL206-103W3 AEL206-104W3	PFL206 PFL206 PFL206 PFL206 PFL206	0.5 1.1
35 1!4 1%76 1#8 1&76	AELPFL207W3 AELPFL207-104W3 AELPFL207-105W3 AELPFL207-106W3 AELPFL207-107W3	122 4!#7/6	100 3!7/6	5.2 0.205	11 &7/6	20 @%32	94 3!17/6	38.9 1.531	9.5 0.374	81 3#7/6	M10 #8	AEL207W3 AEL207-104W3 AEL207-105W3 AEL207-106W3 AEL207-107W3	PFL207 PFL207 PFL207 PFL207 PFL207	0.7 1.5
40 1!2 1(76	AELPFL208W3 AELPFL208-108W3 AELPFL208-109W3	148 5!7/6	119 4!!7/6	6.8 0.268	13.5 !&32	21 !7/6	100 3!7/6	43.7 1.720	11 0.433	91 3#&64	M12 !2	AEL208W3 AEL208-108W3 AEL208-109W3	PFL208 PFL208 PFL208	1.0 2.2

Flanged units pressed steel housing
Eccentric locking collar type



Shaft dia.	Unit number	Nominal dimensions									Bolt size	Bearing number	Housing number	Mass of unit	
		mm			inch			mm	inch	kg					lb
mm inch		H	J	A ₁	N	A	L	B ₁	S	H ₂	mm inch			kg	lb
12	JELPFL201W3	81	63	4	7.1	14	59	28.6	6.5	49	M 6	JEL201W3	PFL203	0.2	
1/2	JELPFL201-008W3	3 1/8	2 1/4	0.157	3/32	1/2	2 3/8	1.126	0.256	1 7/8	1/4	JEL201-008W3	PFL203	0.4	
15	JELPFL202W3	81	63	4	7.1	14	59	28.6	6.5	49	M 6	JEL202W3	PFL203	0.2	
3/8	JELPFL202-009W3	3 1/8	2 1/4	0.157	3/32	1/2	2 3/8	1.126	0.256	1 7/8	1/4	JEL202-009W3	PFL203	0.4	
5/8	JELPFL202-010W3	3 1/8	2 1/4	0.157	3/32	1/2	2 3/8	1.126	0.256	1 7/8	1/4	JEL202-010W3	PFL203	0.4	
17	JELPFL203W3	81	63	4	7.1	14	59	28.6	6.5	49	M 6	JEL203W3	PFL203	0.1	
1 1/8	JELPFL203-011W3	3 1/8	2 1/4	0.157	3/32	1/2	2 3/8	1.126	0.256	1 7/8	1/4	JEL203-011W3	PFL203	0.2	
20	JELPFL204W3	90	71	4	9	16	67	31	7.5	56	M 8	JEL204W3	PFL204	0.3	
3/4	JELPFL204-012W3	3 1/2	2 7/8	0.157	3/8	5/8	2 5/8	1.220	0.295	2 1/4	5/8	JEL204-012W3	PFL204	0.7	
25	JELPFL205W3	95	76	4	9	18	71	31	7.5	60	M 8	JEL205W3	PFL205	0.3	
1 3/8	JELPFL205-013W3	3 3/4	2 9/8	0.157	3/8	3/4	2 7/8	1.220	0.295	2 3/4	5/8	JEL205-013W3	PFL205	0.7	
1 1/2	JELPFL205-014W3	3 3/4	2 9/8	0.157	3/8	3/4	2 7/8	1.220	0.295	2 3/4	5/8	JEL205-014W3	PFL205	0.7	
1 5/8	JELPFL205-015W3	3 3/4	2 9/8	0.157	3/8	3/4	2 7/8	1.220	0.295	2 3/4	5/8	JEL205-015W3	PFL205	0.7	
1	JELPFL205-100W3	3 3/4	2 9/8	0.157	3/8	3/4	2 7/8	1.220	0.295	2 3/4	5/8	JEL205-100W3	PFL205	0.7	
30	JELPFL206W3	113	90	5.2	11	18	84	35.7	9	71	M10	JEL206W3	PFL206	0.5	
1 1/8	JELPFL206-101W3	4 1/2	3 5/8	0.205	7/8	3/4	3 1/4	1.406	0.354	2 7/8	3/8	JEL206-101W3	PFL206	1.1	
1 1/8	JELPFL206-102W3	4 1/2	3 5/8	0.205	7/8	3/4	3 1/4	1.406	0.354	2 7/8	3/8	JEL206-102W3	PFL206	1.1	
1 3/8	JELPFL206-103W3	4 1/2	3 5/8	0.205	7/8	3/4	3 1/4	1.406	0.354	2 7/8	3/8	JEL206-103W3	PFL206	1.1	
1 1/4	JELPFL206-104W3	4 1/2	3 5/8	0.205	7/8	3/4	3 1/4	1.406	0.354	2 7/8	3/8	JEL206-104W3	PFL206	1.1	
35	JELPFL207W3	122	100	5.2	11	20	94	38.9	9.5	81	M10	JEL207W3	PFL207	0.7	
1 1/4	JELPFL207-104W3	4 7/8	3 7/8	0.205	7/8	3/4	3 1/2	1.531	0.374	3 1/8	3/8	JEL207-104W3	PFL207	1.5	
1 3/8	JELPFL207-105W3	4 7/8	3 7/8	0.205	7/8	3/4	3 1/2	1.531	0.374	3 1/8	3/8	JEL207-105W3	PFL207	1.5	
1 5/8	JELPFL207-106W3	4 7/8	3 7/8	0.205	7/8	3/4	3 1/2	1.531	0.374	3 1/8	3/8	JEL207-106W3	PFL207	1.5	
1 7/8	JELPFL207-107W3	4 7/8	3 7/8	0.205	7/8	3/4	3 1/2	1.531	0.374	3 1/8	3/8	JEL207-107W3	PFL207	1.5	
40	JELPFL208W3	148	119	6.8	13.5	21	100	43.7	11	91	M12	JEL208W3	PFL208	1.0	
1 1/2	JELPFL208-108W3	5 7/8	4 3/4	0.268	1 1/8	1 1/2	3 1/4	1.720	0.433	3 5/8	1/2	JEL208-108W3	PFL208	2.2	
1 5/8	JELPFL208-109W3	5 7/8	4 3/4	0.268	1 1/8	1 1/2	3 1/4	1.720	0.433	3 5/8	1/2	JEL208-109W3	PFL208	2.2	

Take-up units cast housing
Eccentric locking collar type

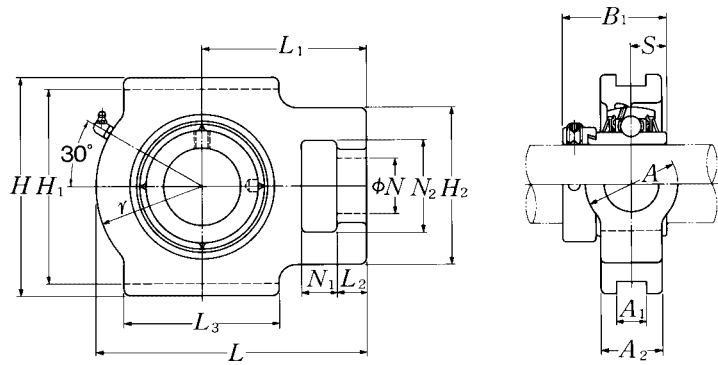


Shaft dia. mm inch	Unit number ¹⁾	Nominal dimensions															
		mm													inch		
		N ₁	L ₂	H ₂	N ₂	N	L ₃	A ₁	H ₁	H	L	A ₂	A	r	L ₁	B ₁	S
20 #4	UELT204D1W3 UELT204-012D1W3	16	12	51	32	19	51	12	76	89	94	21	32	33	61	43.7	17.1
		5/8	1/2	2	1 1/4	3/4	2	0.472	2 5/16	3 1/2	3 11/16	1 1/16	1 1/4	1 1/16	2 1/32	1.720	0.673
25 1 1/16 5/8 1 1/16 1	UELT205D1W3 UELT205-013D1W3 UELT205-014D1W3 UELT205-015D1W3 UELT205-100D1W3	16	12	51	32	19	51	12	76	89	97	24	32	35	62	44.4	17.5
		5/8	1/2	2	1 1/4	3/4	2	0.472	2 5/16	3 1/2	3 11/16	1 1/16	1 1/4	1 1/8	2 7/16	1.748	0.689
30 1 1/16 1 1/8 1 1/16 1 1/4	UELT206D1W3 UELT206-101D1W3 UELT206-102D1W3 UELT206-103D1W3 UELT206-104D1W3	16	12	56	37	22	57	12	89	102	113	28	37	43	70	48.4	18.3
		5/8	1/2	2 1/32	1 1/32	5/8	2 1/4	0.472	3 1/2	4 1/32	4 7/16	1 1/32	1 1/32	1 11/16	2 3/4	1.906	0.720
35 1 1/4 1 1/16 1 1/8 1 1/16	UELT207D1W3 UELT207-104D1W3 UELT207-105D1W3 UELT207-106D1W3 UELT207-107D1W3	16	15	64	37	22	64	12	89	102	129	30	37	51	78	51.1	18.8
		5/8	1 3/32	2 1/8	1 1/32	5/8	2 1/32	0.472	3 1/2	4 1/32	5 3/32	1 1/16	1 1/32	2	3 1/16	2.012	0.740
40 1 1/2 1 1/16	UELT208D1W3 UELT208-108D1W3 UELT208-109D1W3	19	18	83	49	29	83	16	102	114	144	33	49	56	88	56.3	21.4
		3/4	3/32	3 3/32	1 1/16	1 1/32	3 3/32	0.630	4 1/64	4 1/2	5 1/32	1 1/16	1 1/16	2 1/32	3 1/32	2.217	0.843
45 1 1/8 1 11/16 1 1/4	UELT209D1W3 UELT209-110D1W3 UELT209-111D1W3 UELT209-112D1W3	19	18	83	49	29	83	16	102	117	145	35	49	57	88	56.3	21.4
		3/4	3/32	3 3/32	1 1/16	1 1/32	3 3/32	0.630	4 1/64	4 1/32	5 3/32	1 1/8	1 1/16	2 1/4	3 1/32	2.217	0.843
50 1 1 1/16 1 1/8 1 1 1/16 2	UELT210D1W3 UELT210-113D1W3 UELT210-114D1W3 UELT210-115D1W3 UELT210-200D1W3	19	18	83	49	29	86	16	102	117	151	37	49	59	92	62.7	24.6
		3/4	3/32	3 3/32	1 1/16	1 1/32	3 3/8	0.630	4 1/64	4 1/32	5 1/16	1 1/32	1 1/16	2 1/16	3 3/8	2.469	0.969

Remarks: 1) These numbers indicate relubricatable type. If maintenance free type is needed, please order without suffix "D1".
Note: Please refer to page 25 for size of grease fitting.

Bearing number	Housing number	Mass of unit	
		kg	lb
UEL204D1W3	T204D1	0.8	
UEL204-012D1W3	T204D1	1.8	
UEL205D1W3	T205D1	1.0	
UEL205-013D1W3	T205D1		
UEL205-014D1W3	T205D1	2.2	
UEL205-015D1W3	T205D1		
UEL205-100D1W3	T205D1		
UEL206D1W3	T206D1	1.5	
UEL206-101D1W3	T206D1		
UEL206-102D1W3	T206D1	3.3	
UEL206-103D1W3	T206D1		
UEL206-104D1W3	T206D1		
UEL207D1W3	T207D1	1.8	
UEL207-104D1W3	T207D1		
UEL207-105D1W3	T207D1	4.0	
UEL207-106D1W3	T207D1		
UEL207-107D1W3	T207D1		
UEL208D1W3	T208D1	2.4	
UEL208-108D1W3	T208D1	5.3	
UEL208-109D1W3	T208D1		
UEL209D1W3	T209D1	2.5	
UEL209-110D1W3	T209D1		
UEL209-111D1W3	T209D1	5.5	
UEL209-112D1W3	T209D1		
UEL210D1W3	T210D1	2.6	
UEL210-113D1W3	T210D1		
UEL210-114D1W3	T210D1	5.7	
UEL210-115D1W3	T210D1		
UEL210-200D1W3	T210D1		

Take-up units cast housing
Eccentric locking collar type

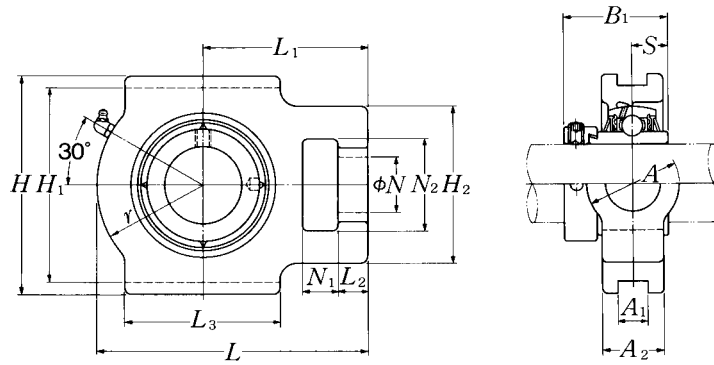


Shaft dia. mm inch	Unit number ¹⁾	Nominal dimensions															
		mm inch															
		<i>N₁</i>	<i>L₂</i>	<i>H₂</i>	<i>N₂</i>	<i>N</i>	<i>L₃</i>	<i>A₁</i>	<i>H₁</i>	<i>H</i>	<i>L</i>	<i>A₂</i>	<i>A</i>	<i>r</i>	<i>L₁</i>	<i>B₁</i>	<i>S</i>
55 2 2 1/16 2 1/8 2 3/16	UELT211D1W3	25	21	102	64	35	95	22	130	146	171	38	64	65	106	71.4	27.8
	UELT211-200D1W3																
	UELT211-201D1W3	#132	1#1/6	4!32	2!&32	1#8	3#4	0.866	5!8	5#4	6#32	1!2	2!&32	2(1/6	4#1/6	2.811	1.094
	UELT211-202D1W3																
60 2 1/4 2 5/16 2 3/8 2 7/8	UELT212D1W3	32	21	102	64	35	102	22	130	146	194	42	64	75	119	77.8	31
	UELT212-204D1W3																
	UELT212-205D1W3	1!4	1#1/6	4!32	2!&32	1#8	4!32	0.866	5!8	5#4	7#8	1@!32	2!&32	2!1/6	4!1/6	3.063	1.220
	UELT212-206D1W3																
65 2 1/2 2 5/8	UELT213D1W3	32	23	111	70	41	121	26	151	167	224	44	70	87	137	85.7	34.15
	UELT213-208D1W3																
	UELT213-209D1W3	1!4	@!32	4#8	2#4	1#8	4#4	1.024	5!1/6	6(1/6	8!#1/6	1@#32	2#4	3&1/6	5!#32	3.374	1.344
70 2 3/8 2 1 1/16 2 3/4	UELT214D1W3	32	23	111	70	41	121	26	151	167	224	46	70	87	137	85.7	34.15
	UELT214-210D1W3																
	UELT214-211D1W3	1!4	@!32	4#8	2#4	1#8	4#4	1.024	5!1/6	6(1/6	8!#1/6	1!#1/6	2#4	3&1/6	5!#32	3.374	1.344
	UELT214-212D1W3																
75 2 1 1/16 2 3/8 2 1 1/16 3	UELT215D1W3	32	23	111	70	41	121	26	151	167	232	48	70	92	140	92	37.3
	UELT215-213D1W3																
	UELT215-214D1W3	1!4	@!32	4#8	2#4	1#8	4#4	1.024	5!1/6	6(1/6	9!8	1&8	2#4	3#8	5!2	3.622	1.469
	UELT215-215D1W3																
	UELT215-300D1W3																

Remarks: 1) These numbers indicate relubricatable type. If maintenance free type is needed, please order without suffix "D1".
Note: Please refer to page 25 for size of grease fitting.

Bearing number	Housing number	Mass of unit	
		kg	lb
UEL211D1W3	T211D1	4.0	
UEL211-200D1W3	T211D1		
UEL211-201D1W3	T211D1	8.8	
UEL211-202D1W3	T211D1		
UEL211-203D1W3	T211D1		
UEL212D1W3	T212D1	5.1	
UEL212-204D1W3	T212D1		
UEL212-205D1W3	T212D1	11	
UEL212-206D1W3	T212D1		
UEL212-207D1W3	T212D1		
UEL213D1W3	T213D1	7.5	
UEL213-208D1W3	T213D1	17	
UEL213-209D1W3	T213D1		
UEL214D1W3	T214D1	7.5	
UEL214-210D1W3	T214D1		
UEL214-211D1W3	T214D1	17	
UEL214-212D1W3	T214D1		
UEL215D1W3	T215D1	8.0	
UEL215-213D1W3	T215D1		
UEL215-214D1W3	T215D1	18	
UEL215-215D1W3	T215D1		
UEL215-300D1W3	T215D1		

Take-up units cast housing
Eccentric locking collar type



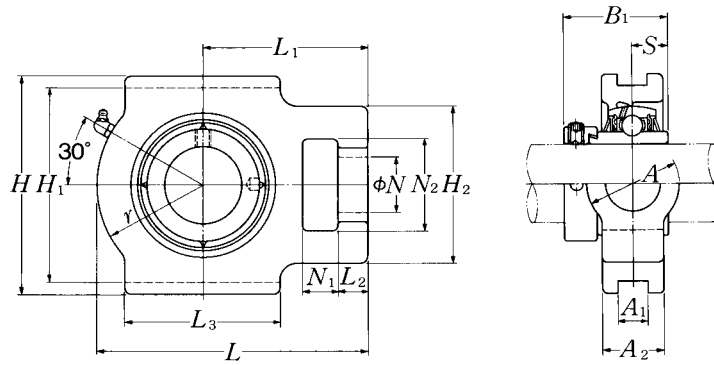
Shaft dia.	Unit number ¹⁾	Nominal dimensions															
		mm													inch		
		N ₁	L ₂	H ₂	N ₂	N	L ₃	A ₁	H ₁	H	L	A ₂	A	r	L ₁	B ₁	S
25 1#7/6 &8 1#7/6 1	UELT305D1W3 UELT305-013D1W3 UELT305-014D1W3 UELT305-015D1W3 UELT305-100D1W3	16	14	62	36	26	65	12	80	89	122	26	36	46	76	46.8	16.7
30 1!7/6 1!8 1#7/6	UELT306D1W3 UELT306-101D1W3 UELT306-102D1W3 UELT306-103D1W3	18	16	70	41	28	74	16	90	100	137	28	41	52	85	50	17.5
35 1!4 1%7/6 1#8 1&7/6	UELT307D1W3 UELT307-104D1W3 UELT307-105D1W3 UELT307-106D1W3 UELT307-107D1W3	20	17	75	45	30	80	16	100	111	150	32	45	56	94	51.6	18.3
40 1!2 1(7/6	UELT308D1W3 UELT308-108D1W3 UELT308-109D1W3	22	19	83	50	32	89	18	112	124	162	34	50	62	100	57.1	19.8
45 1%8 1!!7/6 1#4	UELT309D1W3 UELT309-110D1W3 UELT309-111D1W3 UELT309-112D1W3	24	20	90	55	34	97	18	125	138	178	38	55	68	110	58.7	19.8
50 1!#7/6 1&8 1!%7/6	UELT310D1W3 UELT310-113D1W3 UELT310-114D1W3 UELT310-115D1W3	27	22	98	61	37	106	20	140	151	192	40	61	74	118	66.6	24.6
55 2!7/6 2!8 2#7/6	UELT311D1W3 UELT311-200D1W3 UELT311-201D1W3 UELT311-202D1W3 UELT311-203D1W3	29	23	105	66	39	115	22	150	163	207	44	66	80	127	73	27.8

Remarks: 1) These numbers indicate relubricatable type. If maintenance free type is needed, please order without suffix "D1".

Note: Please refer to page 25 for size of grease fitting.

Bearing number	Housing number	Mass of unit	
		kg	lb
UEL305D1W3	T305D1	1.4	
UEL305-013D1W3	T305D1		
UEL305-014D1W3	T305D1	3.1	
UEL305-015D1W3	T305D1		
UEL305-100D1W3	T305D1		
UEL306D1W3	T306D1	1.9	
UEL306-101D1W3	T306D1		
UEL306-102D1W3	T306D1	4.2	
UEL306-103D1W3	T306D1		
UEL307D1W3	T307D1	2.5	
UEL307-104D1W3	T307D1		
UEL307-105D1W3	T307D1	5.5	
UEL307-106D1W3	T307D1		
UEL307-107D1W3	T307D1		
UEL308D1W3	T308D1	3.1	
UEL308-108D1W3	T308D1	6.8	
UEL308-109D1W3	T308D1		
UEL309D1W3	T309D1	4.2	
UEL309-110D1W3	T309D1		
UEL309-111D1W3	T309D1	9.3	
UEL309-112D1W3	T309D1		
UEL310D1W3	T310D1	5.2	
UEL310-113D1W3	T310D1		
UEL310-114D1W3	T310D1	11	
UEL310-115D1W3	T310D1		
UEL311D1W3	T311D1	6.6	
UEL311-200D1W3	T311D1		
UEL311-201D1W3	T311D1	15	
UEL311-202D1W3	T311D1		
UEL311-203D1W3	T311D1		

Take-up units cast housing
Eccentric locking collar type

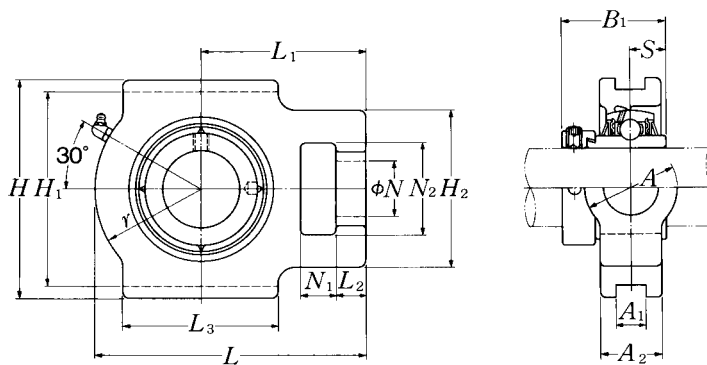


Shaft dia.	Unit number ¹⁾	Nominal dimensions															
		mm								inch							
		N ₁	L ₂	H ₂	N ₂	N	L ₃	A ₁	H ₁	H	L	A ₂	A	r	L ₁	B ₁	S
60	UELT312D1W3	31	25	113	71	41	123	22	160	178	220	46	71	85	135	79.4	30.95
2 1/4	UELT312-204D1W3																
2 3/8	UELT312-205D1W3	1 1/32	1 1/32	4 3/8	2 3/32	1 5/8	4 3/32	0.866	6 1/64	7	8 1/32	1 1/16	2 3/32	3 1/32	5 1/8	3.126	1.219
2 3/8	UELT312-206D1W3																
2 3/8	UELT312-207D1W3																
65	UELT313D1W3	32	27	116	70	43	134	26	170	190	238	50	80	92	146	85.7	32.55
2 1/2	UELT313-208D1W3																
2 1/2	UELT313-209D1W3	1 1/4	1 1/8	4 1/8	2 3/4	1 1/2	5 3/32	1.024	6 1/16	7 1/32	9 3/8	1 1/32	3 3/32	3 3/8	5 3/4	3.374	1.281
70	UELT314D1W3	36	27	130	85	46	140	26	180	202	252	52	90	97	155	92.1	34.15
2 3/8	UELT314-210D1W3																
2 1 1/8	UELT314-211D1W3	1 1/32	1 1/8	5 1/8	3 1/32	1 1/8	5 1/2	1.024	7 3/32	7 1/16	9 3/32	2 1/8	3 1/32	3 1/16	6 3/32	3.626	1.344
2 3/4	UELT314-212D1W3																
75	UELT315D1W3	36	27	132	85	46	150	26	192	216	262	55	90	102	160	100	37.3
2 1 3/8	UELT315-213D1W3																
2 3/8	UELT315-214D1W3	1 1/32	1 1/8	5 3/8	3 1/32	1 1/8	5 3/32	1.024	7 1/8	8 1/2	10 1/8	2 3/32	3 1/32	4 1/32	6 3/8	3.937	1.469
2 1 3/8	UELT315-215D1W3																
3	UELT315-300D1W3																
80	UELT316D1W3	42	30	150	98	53	160	30	204	230	282	60	102	108	174	106.4	40.5
3 1/8	UELT316-301D1W3																
3 1/8	UELT316-302D1W3	1 1/32	1 1/8	5 3/32	3 3/32	2 3/32	6 3/8	1.181	8 1/32	9 1/8	11 3/32	2 3/8	4 1/32	4 1/4	6 3/32	4.189	1.594
3 3/8	UELT316-303D1W3																
85	UELT317D1W3	42	32	152	98	53	170	32	214	240	298	64	102	115	183	109.5	42.05
3 1/4	UELT317-304D1W3																
3 3/8	UELT317-305D1W3	1 1/32	1 1/4	5 1/32	3 3/32	2 3/32	6 1/16	1.260	8 3/64	9 1/8	11 3/32	2 1/32	4 1/32	4 1/32	7 3/32	4.311	1.656
3 3/8	UELT317-307D1W3																
90	UELT318D1W3	46	32	160	106	57	175	32	228	255	312	66	110	120	192	115.9	43.65
3 3/8	UELT318-307D1W3	1 1/16	1 1/4	6 3/8	4 3/8	2 1/4	6 3/8	1.260	8 1/32	10 1/32	12 3/32	2 1/32	4 1/32	4 3/32	7 1/8	4.563	1.719
3 1/2	UELT318-308D1W3																

Remarks: 1) These numbers indicate relubricatable type. If maintenance free type is needed, please order without suffix "D1".
Note: Please refer to page 25 for size of grease fitting.

Bearing number	Housing number	Mass of unit	
		kg	lb
UEL312D1W3	T312D1	7.9	
UEL312-204D1W3	T312D1		
UEL312-205D1W3	T312D1	17	
UEL312-206D1W3	T312D1		
UEL312-207D1W3	T312D1		
UEL313D1W3	T313D1	10	
UEL313-208D1W3	T313D1	22	
UEL313-209D1W3	T313D1		
UEL314D1W3	T314D1	12	
UEL314-210D1W3	T314D1		
UEL314-211D1W3	T314D1	26	
UEL314-212D1W3	T314D1		
UEL315D1W3	T315D1	14	
UEL315-213D1W3	T315D1		
UEL315-214D1W3	T315D1	31	
UEL315-215D1W3	T315D1		
UEL315-300D1W3	T315D1		
UEL316D1W3	T316D1	18	
UEL316-301D1W3	T316D1		
UEL316-302D1W3	T316D1	40	
UEL316-303D1W3	T316D1		
UEL317D1W3	T317D1	21	
UEL317-304D1W3	T317D1		
UEL317-305D1W3	T317D1	46	
UEL317-307D1W3	T317D1		
UEL318D1W3	T318D1	23	
UEL318-307D1W3	T318D1	51	
UEL318-308D1W3	T318D1		

Take-up units cast housing
Eccentric locking collar type



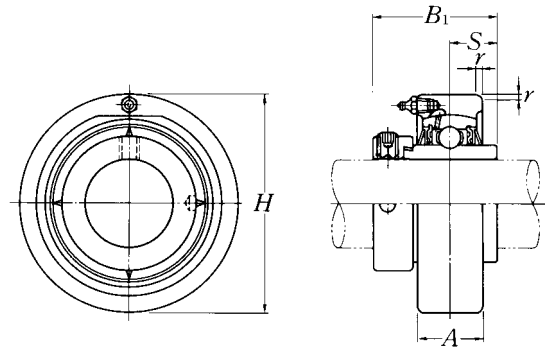
Shaft dia.	Unit number ¹⁾	Nominal dimensions															
		mm inch															
		N_1	L_2	H_2	N_2	N	L_3	A_1	H_1	H	L	A_2	A	r	L_1	B_1	S
95	UELT319D1W3	46	33	165	106	57	180	35	240	270	322	72	110	125	197	122.3	38.9
3	UELT319-310D1W3																
3	UELT319-311D1W3	11	1	6	4	2	7	1.378	9	10	12	2	4	4	7	4.815	1.531
3	UELT319-312D1W3																
100	UELT320D1W3	48	34	175	115	59	200	35	260	290	345	75	120	135	210	128.6	50
3	UELT320-313D1W3																
3	UELT320-314D1W3	1	1	6	4	2	7	1.378	10	11	13	2	4	5	8	5.063	1.969
3	UELT320-315D1W3																
4	UELT320-400D1W3																
105	UELT321D1W3	48	34	175	115	59	200	35	260	290	347	75	120	135	212	139.7	48.4
110	UELT322D1W3	52	40	185	125	65	215	38	285	320	385	80	130	150	235	141.3	49.2

Remarks: 1) These numbers indicate relubricatable type. If maintenance free type is needed, please order without suffix "D1".

Note: Please refer to page 25 for size of grease fitting.

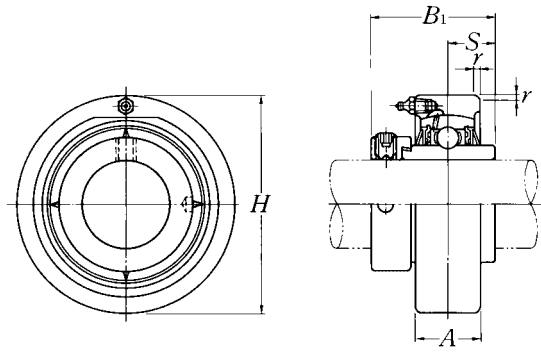
Bearing number	Housing number	Mass of unit	
		kg	lb
UEL319D1W3	T319D1	26	
UEL319-310D1W3	T319D1		
UEL319-311D1W3	T319D1	57	
UEL319-312D1W3	T319D1		
UEL320D1W3	T320D1	34	
UEL320-313D1W3	T320D1		
UEL320-314D1W3	T320D1	75	
UEL320-315D1W3	T320D1		
UEL320-400D1W3	T320D1		
UEL321D1D1W3	T321D1	35	
UEL322D1D1W3	T322D1	43	

Cylindrical cartridge units cast housing
Eccentric locking collar type



Shaft dia.	Unit number ¹⁾	Nominal dimensions					Bearing number	Housing number	Mass of unit
		mm		inch					
mm inch		H	A	r	B ₁	S		kg lb	
20 #4	UEL204D1W3	72	20	2	43.7	17.1	UEL204D1W3	C204D1	0.6
	UEL204-012D1W3	2.8346	0.7874	0.079	1.720	0.673	UEL204-012D1W3	C204D1	1.3
25 1#7/8 #8 1#7/8 1	UEL205D1W3	80	22	2	44.4	17.5	UEL205D1W3	C205D1	0.8
	UEL205-013D1W3						UEL205-013D1W3	C205D1	
	UEL205-014D1W3	3.1496	0.8661	0.079	1.748	0.689	UEL205-014D1W3	C205D1	1.8
	UEL205-015D1W3						UEL205-015D1W3	C205D1	
	UEL205-100D1W3						UEL205-100D1W3	C205D1	
30 1#7/8 1#8 1#7/8 1#4	UEL206D1W3	85	27	2	48.4	18.3	UEL206D1W3	C206D1	1.0
	UEL206-101D1W3						UEL206-101D1W3	C206D1	
	UEL206-102D1W3	3.3465	1.063	0.079	1.906	0.720	UEL206-102D1W3	C206D1	2.2
	UEL206-103D1W3						UEL206-103D1W3	C206D1	
	UEL206-104D1W3						UEL206-104D1W3	C206D1	
35 1#4 1#7/8 1#8 1#7/8	UEL207D1W3	90	28	2	51.1	18.8	UEL207D1W3	C207D1	1.1
	UEL207-104D1W3						UEL207-104D1W3	C207D1	
	UEL207-105D1W3	3.5433	1.0984	0.079	2.012	0.740	UEL207-105D1W3	C207D1	2.4
	UEL207-106D1W3						UEL207-106D1W3	C207D1	
	UEL207-107D1W3						UEL207-107D1W3	C207D1	
40 1#2 1#7/8	UEL208D1W3	100	30	2.5	56.3	21.4	UEL208D1W3	C208D1	1.4
	UEL208-108D1W3	3.9370	1.1811	0.098	2.217	0.843	UEL208-108D1W3	C208D1	3.1
	UEL208-109D1W3						UEL208-109D1W3	C208D1	
45 1#8 1#17/8 1#4	UEL209D1W3	110	31	2.5	56.3	21.4	UEL209D1W3	C209D1	1.7
	UEL209-110D1W3						UEL209-110D1W3	C209D1	
	UEL209-111D1W3	4.3307	1.2165	0.098	2.217	0.843	UEL209-111D1W3	C209D1	3.7
	UEL209-112D1W3						UEL209-112D1W3	C209D1	
50 1#7/8 1#8 1#7/8 2	UEL210D1W3	120	33	2.5	62.7	24.6	UEL210D1W3	C210D1	2.1
	UEL210-113D1W3						UEL210-113D1W3	C210D1	
	UEL210-114D1W3	4.7244	1.2992	0.098	2.469	0.969	UEL210-114D1W3	C210D1	4.6
	UEL210-115D1W3						UEL210-115D1W3	C210D1	
	UEL210-200D1W3						UEL210-200D1W3	C210D1	

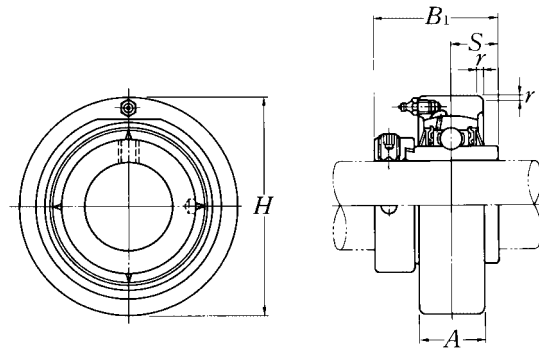
Remarks: 1) These numbers indicate relubricatable type. If maintenance free type is needed, please order without suffix "D1".
Note: Please refer to page 25 for size of grease fitting.



Shaft dia.	Unit number ¹⁾	Nominal dimensions					Bearing number	Housing number	Mass of unit
		<i>H</i>	<i>A</i>	<i>r</i>	<i>B₁</i>	<i>S</i>			
mm inch		mm	inch					kg lb	
55	UEL211D1W3	125	35	2.5	71.4	27.8	UEL211D1W3	C211D1	2.4
2	UEL211-200D1W3						UEL211-200D1W3	C211D1	
2 1/16	UEL211-201D1W3	4.9213	1 5/8	0.098	2.811	1.094	UEL211-201D1W3	C211D1	5.3
2 1/8	UEL211-202D1W3						UEL211-202D1W3	C211D1	
2 3/16	UEL211-203D1W3						UEL211-203D1W3	C211D1	
60	UEL212D1W3	130	38	2.5	77.8	31	UEL212D1W3	C212D1	2.9
2 1/4	UEL212-204D1W3						UEL212-204D1W3	C212D1	
2 5/16	UEL212-205D1W3	5.1181	1 1/2	0.098	3.063	1.220	UEL212-205D1W3	C212D1	6.4
2 3/8	UEL212-206D1W3						UEL212-206D1W3	C212D1	
2 7/16	UEL212-207D1W3						UEL212-207D1W3	C212D1	

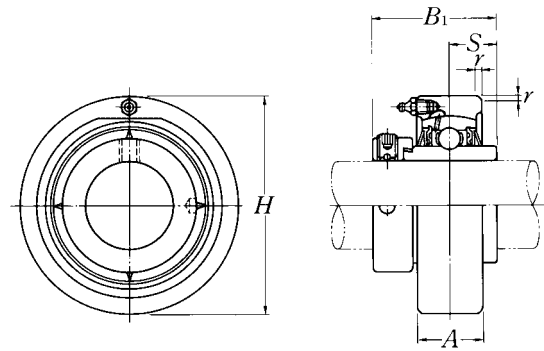
Remarks: 1) These numbers indicate relubricatable type. If maintenance free type is needed, please order without suffix "D1".
 Note: Please refer to page 25 for size of grease fitting.

Cylindrical cartridge units cast housing
Eccentric locking collar type



Shaft dia.	Unit number ¹⁾	Nominal dimensions					Bearing number	Housing number	Mass of unit
		mm		inch					
mm inch		H	A	r	B ₁	S		kg lb	
25 1#7/6 &8 1#7/6 1	UEL305D1W3	90	26	2.5	46.8	16.7	UEL305D1W3	C305D1	1.1
	UEL305-013D1W3						UEL305-013D1W3	C305D1	
	UEL305-014D1W3	3.5433	1#32	0.098	1.843	0.657	UEL305-014D1W3	C305D1	2.4
	UEL305-015D1W3						UEL305-015D1W3	C305D1	
	UEL305-100D1W3						UEL305-100D1W3	C305D1	
30 1#7/6 1#8 1#7/6	UEL306D1W3	100	28	2.5	50	17.5	UEL306D1W3	C306D1	1.5
	UEL306-101D1W3						UEL306-101D1W3	C306D1	
	UEL306-102D1W3	3.9370	1#64	0.098	1.969	0.689	UEL306-102D1W3	C306D1	3.3
	UEL306-103D1W3						UEL306-103D1W3	C306D1	
35 1#4 1#7/6 1#8 1#7/6	UEL307D1W3	110	32	3	51.6	18.3	UEL307D1W3	C307D1	1.8
	UEL307-104D1W3						UEL307-104D1W3	C307D1	
	UEL307-105D1W3	4.3307	1#64	0.118	2.031	0.720	UEL307-105D1W3	C307D1	4.0
	UEL307-106D1W3						UEL307-106D1W3	C307D1	
	UEL307-107D1W3						UEL307-107D1W3	C307D1	
40 1#2 1#7/6	UEL308D1W3	120	34	3	57.1	19.8	UEL308D1W3	C308D1	2.3
	UEL308-108D1W3	4.7244	1#32	0.118	2.248	0.780	UEL308-108D1W3	C308D1	5.1
	UEL308-109D1W3						UEL308-109D1W3	C308D1	
45 1#8 1#7/6 1#4	UEL309D1W3	130	38	3.5	58.7	19.8	UEL309D1W3	C309D1	2.9
	UEL309-110D1W3						UEL309-110D1W3	C309D1	
	UEL309-111D1W3	5.1181	1#2	0.138	2.311	0.780	UEL309-111D1W3	C309D1	6.4
	UEL309-112D1W3						UEL309-112D1W3	C309D1	
50 1#7/6 1#8 1#7/6	UEL310D1W3	140	40	3.5	66.6	24.6	UEL310D1W3	C310D1	3.5
	UEL310-113D1W3						UEL310-113D1W3	C310D1	
	UEL310-114D1W3	5.5118	1#64	0.138	2.622	0.969	UEL310-114D1W3	C310D1	7.7
	UEL310-115D1W3						UEL310-115D1W3	C310D1	
55 2 2#7/6 2#8 2#7/6	UEL311D1W3	150	44	3.5	73	27.8	UEL311D1W3	C311D1	4.2
	UEL311-200D1W3						UEL311-200D1W3	C311D1	
	UEL311-201D1W3	5.9055	1#64	0.138	2.874	1.094	UEL311-201D1W3	C311D1	9.3
	UEL311-202D1W3						UEL311-202D1W3	C311D1	
	UEL311-203D1W3						UEL311-203D1W3	C311D1	

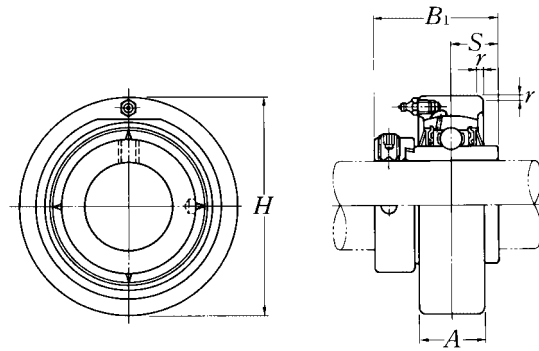
Remarks: 1) These numbers indicate relubricatable type. If maintenance free type is needed, please order without suffix "D1".
Note: Please refer to page 25 for size of grease fitting.



Shaft dia.	Unit number ¹⁾	Nominal dimensions					Bearing number	Housing number	Mass of unit
		mm		inch					
mm inch		H	A	r	B ₁	S			kg lb
60	UELC312D1W3	160	46	3.5	79.4	30.95	UEL312D1W3	C312D1	5.1
2 1/4	UELC312-204D1W3						UEL312-204D1W3	C312D1	
2 3/8	UELC312-205D1W3	6.2992	1 1/8	0.138	3.126	1.219	UEL312-205D1W3	C312D1	11
2 3/8	UELC312-206D1W3						UEL312-206D1W3	C312D1	
2 3/8	UELC312-207D1W3						UEL312-207D1W3	C312D1	
65	UELC313D1W3	170	50	3.5	85.7	32.55	UEL313D1W3	C313D1	6.2
2 1/2	UELC313-208D1W3	6.6929	1 7/8	0.138	3.374	1.281	UEL313-208D1W3	C313D1	14
2 7/8	UELC313-209D1W3						UEL313-209D1W3	C313D1	
70	UELC314D1W3	180	52	4	92.1	34.15	UEL314D1W3	C314D1	7.2
2 3/8	UELC314-210D1W3						UEL314-210D1W3	C314D1	
2 1 1/8	UELC314-211D1W3	7.0866	2 1/4	0.157	3.626	1.344	UEL314-211D1W3	C314D1	16
2 3/4	UELC314-212D1W3						UEL314-212D1W3	C314D1	
75	UELC315D1W3	190	55	4	100	37.3	UEL315D1W3	C315D1	8.4
2 1 3/8	UELC315-213D1W3						UEL315-213D1W3	C315D1	
2 3/8	UELC315-214D1W3	7.4803	2 1 1/4	0.157	3.937	1.469	UEL315-214D1W3	C315D1	19
2 1 3/8	UELC315-215D1W3						UEL315-215D1W3	C315D1	
3	UELC315-300D1W3						UEL315-300D1W3	C315D1	
80	UELC316D1W3	200	60	4	106.4	40.5	UEL316D1W3	C316D1	10
3 1/8	UELC316-301D1W3						UEL316-301D1W3	C316D1	
3 1/8	UELC316-302D1W3	7.8740	2 3/8	0.157	4.189	1.594	UEL316-302D1W3	C316D1	22
3 3/8	UELC316-303D1W3						UEL316-303D1W3	C316D1	
85	UELC317D1W3	215	64	4	109.5	42.05	UEL317D1W3	C317D1	13
3 1/4	UELC317-304D1W3						UEL317-304D1W3	C317D1	
3 3/8	UELC317-305D1W3	8.4646	2 5/8	0.157	4.311	1.656	UEL317-305D1W3	C317D1	29
3 3/8	UELC317-307D1W3						UEL317-307D1W3	C317D1	
90	UELC318D1W3	225	66	4	115.9	43.65	UEL318D1W3	C318D1	14
3 3/8	UELC318-307D1W3	8.8583	2 1/2	0.157	4.563	1.719	UEL318-307D1W3	C318D1	31
3 1/2	UELC318-308D1W3						UEL318-308D1W3	C318D1	

Remarks: 1) These numbers indicate relubricatable type. If maintenance free type is needed, please order without suffix "D1".
 Note: Please refer to page 25 for size of grease fitting.

Cylindrical cartridge units cast housing
Eccentric locking collar type

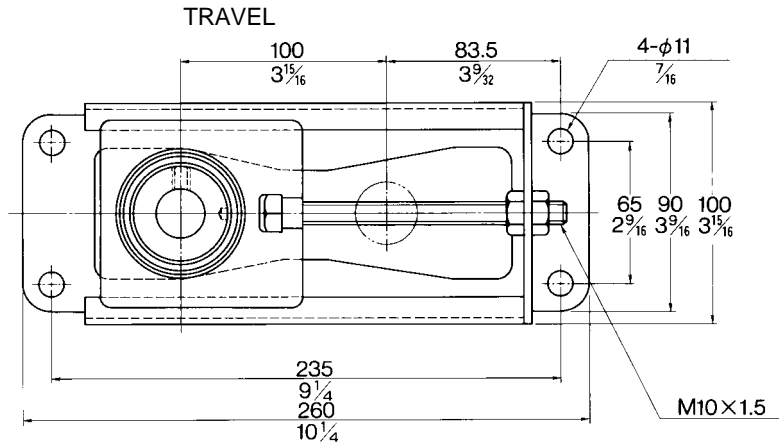


Shaft dia.	Unit number ¹⁾	Nominal dimensions					Bearing number	Housing number	Mass of unit
		<i>H</i>	<i>A</i>	<i>r</i>	<i>B₁</i>	<i>S</i>			
mm inch		mm	inch					kg lb	
95	UEL319D1W3	240	72	4	122.3	38.9	UEL319D1W3	C319D1	17
3/8	UEL319-310D1W3						UEL319-310D1W3	C319D1	
3/16	UEL319-311D1W3	9.4488	2 7/64	0.157	4.815	1.531	UEL319-311D1W3	C319D1	37
3/4	UEL319-312D1W3						UEL319-312D1W3	C319D1	
100	UEL320D1W3	260	75	4	128.6	50	UEL320D1W3	C320D1	21
3/16	UEL320-313D1W3						UEL320-313D1W3	C320D1	
3/8	UEL320-314D1W3						UEL320-314D1W3	C320D1	
3/16	UEL320-315D1W3	10.2362	2 1/4	0.157	5.063	1.969	UEL320-315D1W3	C320D1	46
4	UEL320-400D1W3						UEL320-400D1W3	C320D1	
105	UEL321D1W3	260	75	4	139.7	48.4	UEL321D1W3	C321D1	22
110	UEL322D1W3	300	80	5	141.3	49.2	UEL322D1W3	C322D1	31

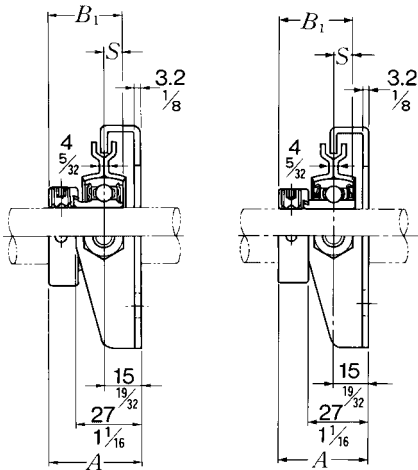
Remarks: 1) These numbers indicate relubricatable type. If maintenance free type is needed, please order without suffix "D1".
Note: Please refer to page 25 for size of grease fitting.



Mini stretcher
Eccentric locking collar type



Shaft dia.	Unit number	Nominal dimensions			Bolt size	Max. load recommended		Bearing number	Mass of unit
		mm	inch			N	lbf		
mm inch		A	B _i	S	mm inch			kg lb	
12 1/2	AELPT201-10W3	37.1	28.6	6.5	M10	3 500	AEL201W3	1.0	
	AELPT201-008-10W3	1 @ φ4	1.126	0.256	#8	770	AEL201-008W3	2.2	
15 5/8	AELPT202-10W3	37.1	28.6	6.5	M10	3 500	AEL202W3	1.0	
	AELPT202-009-10W3	1 @ φ4	1.126	0.256	#8	770	AEL202-009W3	2.2	
	AELPT202-010-10W3						AEL202-010W3		
17 1 1/8	AELPT203-10W3	37.1	28.6	6.5	M10	3 500	AEL203W3	1.0	
	AELPT203-011-10W3	1 @ φ4	1.126	0.256	#8	770	AEL203-011W3	2.2	
20 3/4	AELPT204-10W3	38.5	31	7.5	M10	3 500	AEL204W3	1.1	
	AELPT204-012-10W3	1 ## φ4	1.220	0.295	#8	770	AEL204-012W3	2.4	
25 1 3/8 1 1/4 1 1/8 1	AELPT205-10W3	38.5	31	7.5	M10	3 500	AEL205W3	1.1	
	AELPT205-013-10W3						AEL205-013W3		
	AELPT205-014-10W3	1 ## φ4	1.220	0.295	#8	770	AEL205-014W3	2.4	
	AELPT205-015-10W3						AEL205-015W3		
	AELPT205-100-10W3						AEL205-100W3		

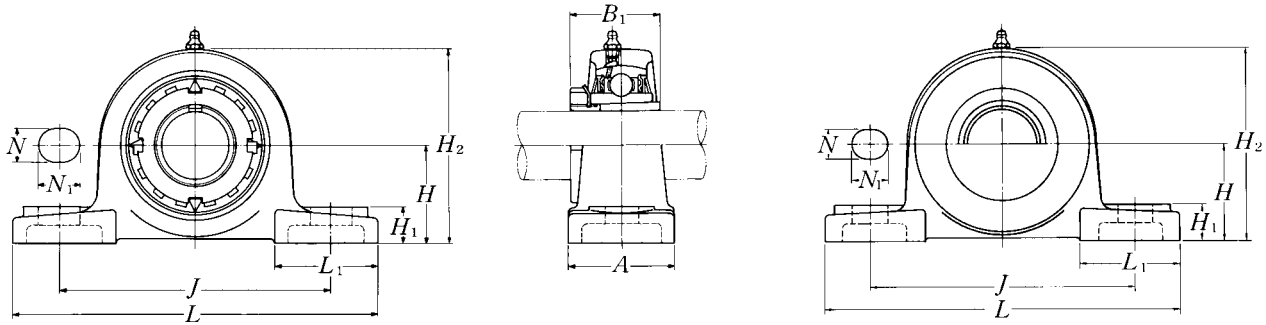


AELPT type

JELPT type

Shaft dia.	Unit number	Nominal dimensions			Bolt size	Max. load recommended		Bearing number	Mass of unit
		mm	inch			N	lbf		
mm inch		A	B ₁	S	mm inch				
12 !2	JELPT201-10W3	37.1	28.6	6.5	M10	3 500	JEL201W3	1.0	
	JELPT201-008-10W3	1@Ø4	1.126	0.256	#8	770	JEL201-008W3	2.2	
15 (7/8 %8	JELPT202-10W3	37.1	28.6	6.5	M10	3 500	JEL202W3	1.0	
	JELPT202-009-10W3	1@Ø4	1.126	0.256	#8	770	JEL202-009W3	2.2	
	JELPT202-010-10W3						JEL202-010W3		
17 !!7/8	JELPT203-10W3	37.1	28.6	6.5	M10	3 500	JEL203W3	1.0	
	JELPT203-011-10W3	1@Ø4	1.126	0.256	#8	770	JEL203-011W3	2.2	
20 ##	JELPT204-10W3	38.5	31	7.5	M10	3 500	JEL204W3	1.1	
	JELPT204-012-10W3	1##Ø4	1.220	0.295	#8	770	JEL204-012W3	2.4	
25 !#7/8 &8 !%7/8 1	JELPT205-10W3	38.5	31	7.5	M10	3 500	JEL205W3	1.1	
	JELPT205-013-10W3						JEL205-013W3		
	JELPT205-014-10W3	1##Ø4	1.220	0.295	#8	770	JEL205-014W3	2.4	
	JELPT205-015-10W3						JEL205-015W3		
	JELPT205-100-10W3						JEL205-100W3		

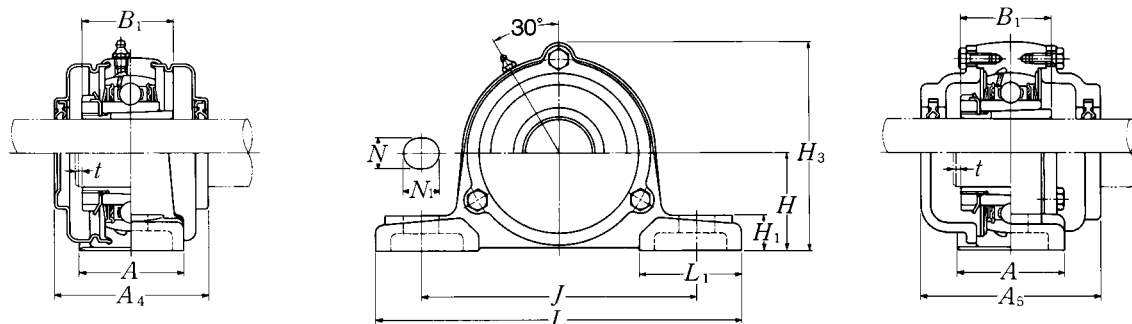
Pillow blocks cast housing
Adapter type



Pressed steel dust cover type
Open end: **S-UKP...D1**
Closed end: **SM-UKP...D1**

Shaft dia.	Unit number ^{1) 2) 3)}	Nominal dimensions										Bolt size	Bearing number
		mm					inch						
		H	L	J	A	N	N _i	H ₁	H ₂	B ₁	L ₁		
20 #4	UKP205D1;H2305X UKP205D1;HE2305	36.5 1 1/2	140 5 1/2	105 4 1/8	38 1 1/2	13 1/2	16 5/8	15 1 1/2	71 2 3/4	35 1.378	42 1 1/2	M10 #8	UK205D1;H2305X UK205D1;HE2305
25 #8 1	UKP206D1;H2306X UKP206D1;HS2306 UKP206D1;HE2306X	42.9 1 11/16	165 6 1/2	121 4 7/8	48 1 7/8	17 1 1/4	20 3/4	17 1 1/4	83 3 1/4	38 1.496	54 2 1/8	M14 1/2	UK206D1;H2306X UK206D1;HS2306 UK206D1;HE2306X
30 1 1/8	UKP207D1;H2307X UKP207D1;HS2307	47.6 1 7/8	167 6 5/8	127 5	48 1 7/8	17 1 1/4	20 3/4	18 1 1/4	93 3 5/8	43 1.693	54 2 1/8	M14 1/2	UK207D1;H2307X UK207D1;HS2307
35 1 1/4 1 3/8	UKP208D1;H2308X UKP208D1;HE2308X UKP208D1;HS2308X	49.2 1 11/16	184 7 1/4	137 5 1/2	54 2 1/8	17 1 1/4	20 3/4	18 1 1/4	98 3 7/8	46 1.811	52 2 1/16	M14 1/2	UK208D1;H2308X UK208D1;HE2308X UK208D1;HS2308X
40 1 1/2 1 3/8	UKP209D1;H2309X UKP209D1;HA2309 UKP209D1;HE2309X UKP209D1;HS2309X	54 2 1/8	190 7 5/8	146 5 7/8	54 2 1/8	17 1 1/4	20 3/4	20 1 1/4	106 4 1/8	50 1.969	60 2 3/8	M14 1/2	UK209D1;H2309X UK209D1;HA2309 UK209D1;HE2309X UK209D1;HS2309X
45 1 3/8 1 11/16 1 3/4	UKP210D1;H2310X UKP210D1;HS2310 UKP210D1;HA2310 UKP210D1;HE2310X	57.2 2 1/4	206 8 1/8	159 6 1/4	60 2 3/8	20 3/4	23 1 1/4	21 1 1/8	114 4 1/2	55 2.165	65 2 5/8	M16 3/8	UK210D1;H2310X UK210D1;HS2310 UK210D1;HA2310 UK210D1;HE2310X
50 1 3/4 2	UKP211D1;H2311X UKP211D1;HS2311 UKP211D1;HA2311 UKP211D1;HE2311XY	63.5 2 1/2	219 8 5/8	171 6 3/4	60 2 3/8	20 3/4	23 1 1/4	23 1 1/4	126 4 1/2	59 2.323	65 2 5/8	M16 3/8	UK211D1;H2311X UK211D1;HS2311 UK211D1;HA2311 UK211D1;HE2311XY
55 2 1/8	UKP212D1;H2312X UKP212D1;HS2312	69.8 2 3/4	241 9 1/2	184 7 1/4	70 2 3/4	20 3/4	23 1 1/4	25 1 1/8	138 5 1/2	62 2.441	70 2 3/4	M16 3/8	UK212D1;H2312X UK212D1;HS2312
60 2 3/8 2 1/4 2 3/8	UKP213D1;H2313X UKP213D1;HA2313 UKP213D1;HE2313X UKP213D1;HS2313X	76.2 3	265 10 1/2	203 8	70 2 3/4	25 1 1/2	28 1 1/4	27 1 1/8	151 5 1/2	65 2.559	77 3 1/4	M20 #4	UK213D1;H2313X UK213D1;HA2313 UK213D1;HE2313X UK213D1;HS2313X

Remarks: 1) These numbers indicate relubricatable type. If maintenance free type is needed, please order without suffix "D1".
2) Adapter number with suffix "X" means a narrow slot type adapter sleeve.
In this case the lock washer with the straight inner prong should be used.
3) For HE2311XY, screw thread pitch different from the standard is applied, because of the thin thread section of sleeve.
To distinguish it, a suffix "Y" is added.
Note: Please refer to page 25 for size of grease fitting.



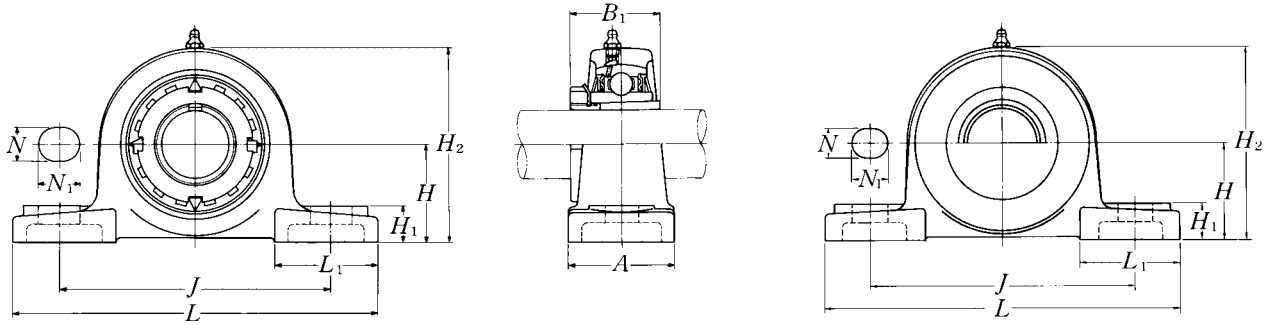
Cast dust cover type

Open end: **C-UKP...D1**

Closed end: **CM-UKP...D1**

Housing number	Unit number pressed steel dust cover type	Unit number cast dust cover type	Nominal dimensions				Mass of unit		
			mm		inch		kg		lb
			t max.	A ₄	H ₃	A ₅	UKP	S(SM)	C(CM)
P205D1	S(SM)-UKP205D1;H2305X	C(CM)-UKP205D1;H2305X	2	57	76	70	0.9	0.9	1.3
P205D1	S(SM)-UKP205ED1;HE2305	C(CM)-UKP205ED1;HE2305	3/64	2 1/4	3	2 3/4	2.0	2.0	2.9
P206D1	S(SM)-UKP206D1;H2306X	C(CM)-UKP206D1;H2306X	2	62	88	75	1.3	1.4	1.9
P206D1	S(SM)-UKP206SD1;HS2306	C(CM)-UKP206SD1;HS2306	3/64	2 3/8	3 1/2	2 7/8	2.9	3.1	4.2
P206D1	S(SM)-UKP206ED1;HE2306X	C(CM)-UKP206ED1;HE2306X							
P207D1	S(SM)-UKP207D1;H2307X	C(CM)-UKP207D1;H2307X	3	72	99	80	1.7	1.8	2.4
P207D1	S(SM)-UKP207SD1;HS2307	C(CM)-UKP207SD1;HS2307	1/8	2 7/8	3 3/8	3 1/2	3.7	4.0	5.3
P208D1	S(SM)-UKP208D1;H2308X	C(CM)-UKP208D1;H2308X	3	82	105	90	2.0	2.1	3.4
P208D1	S(SM)-UKP208ED1;HE2308X	C(CM)-UKP208ED1;HE2308X	1/8	3 1/2	4 1/8	3 1/2	4.4	4.6	7.5
P208D1	S(SM)-UKP208D1;HS2308X	C(CM)-UKP208D1;HS2308X							
P209D1	S(SM)-UKP209D1;H2309X	C(CM)-UKP209D1;H2309X	3	82	113	95	2.3	2.5	3.7
P209D1	S(SM)-UKP209AD1;HA2309	C(CM)-UKP209AD1;HA2309	1/8	3 1/2	4 3/8	3 3/4	5.1	5.5	8.2
P209D1	S(SM)-UKP209ED1;HE2309X	C(CM)-UKP209ED1;HE2309X							
P209D1	S(SM)-UKP209SD1;HS2309X	C(CM)-UKP209SD1;HS2309X							
P210D1	S(SM)-UKP210D1;H2310X	C(CM)-UKP210D1;H2310X	3	87	119	100	2.8	3.0	4.5
P210D1	S(SM)-UKP210SD1;HS2310	C(CM)-UKP210SD1;HS2310	1/8	3 3/8	4 1 1/8	3 1 3/8	6.2	6.6	9.9
P210D1	S(SM)-UKP210AD1;HA2310	C(CM)-UKP210AD1;HA2310							
P210D1	S(SM)-UKP210ED1;HE2310X	C(CM)-UKP210ED1;HE2310X							
P211D1	S(SM)-UKP211D1;H2311X	C(CM)-UKP211D1;H2311X	4	92	130	100	3.5	3.8	5.6
P211D1	S(SM)-UKP211SD1;HS2311	C(CM)-UKP211SD1;HS2311	3/32	3 3/8	5 1/8	3 1 3/8	7.7	8.4	12
P211D1	S(SM)-UKP211AD1;HA2311	C(CM)-UKP211AD1;HA2311							
P211D1	S(SM)-UKP211ED1;HE2311XY	C(CM)-UKP211ED1;HE2311XY							
P212D1	S(SM)-UKP212D1;H2312X	C(CM)-UKP212D1;H2312X	4	102	143	115	4.7	5.0	6.9
P212D1	S(SM)-UKP212SD1;HS2312	C(CM)-UKP212SD1;HS2312	3/32	4 1/2	5 3/8	4 1 3/2	10	11	15
P213D1	S(SM)-UKP213D1;H2313X	C(CM)-UKP213D1;H2313X	4	107	155	120	6.0	6.4	8.1
P213D1	S(SM)-UKP213AD1;HA2313	C(CM)-UKP213AD1;HA2313	3/32	4 1/4	6 1/4	4 3/4	13	14	18
P213D1	S(SM)-UKP213ED1;HE2313X	C(CM)-UKP213ED1;HE2313X							
P213D1	S(SM)-UKP213SD1;HS2313X	C(CM)-UKP213SD1;HS2313X							

Pillow blocks cast housing
Adapter type



Pressed steel dust cover type

Open end: **S-UKP...D1**

Closed end: **SM-UKP...D1**

Shaft dia. mm inch	Unit number ^{1) 2) 3)}	Nominal dimensions										Bolt size mm inch	Bearing number
		mm					inch						
		H	L	J	A	N	N _i	H _i	H ₂	B ₁	L ₁		
65 2 ¹¹ / ₁₆ 2 ¹ / ₂	UKP215D1;H2315X UKP215D1;HA2315 UKP215D1;HE2315X	82.6 3 ¹ / ₄	275 10 ¹ / ₁₆	217 8 ¹ / ₃₂	74 2 ⁹ / ₃₂	25 1 ¹ / ₃₂	28 1 ¹ / ₃₂	28 1 ¹ / ₃₂	163 6 ¹ / ₃₂	73 2.874	80 3 ³ / ₃₂	M20 #4	UK215D1;H2315X UK215D1;HA2315 UK215D1;HE2315X
70 2 ¹¹ / ₁₆ 2 ³ / ₄	UKP216D1;H2316X UKP216D1;HA2316 UKP216D1;HE2316X	88.9 3 ¹ / ₂	292 11 ¹ / ₂	232 9 ¹ / ₈	78 3 ¹ / ₁₆	25 1 ¹ / ₃₂	28 1 ¹ / ₃₂	30 1 ¹ / ₁₆	175 6 ⁸ / ₈	78 3.071	85 3 ¹ / ₃₂	M20 #4	UK216D1;H2316X UK216D1;HA2316 UK216D1;HE2316X
75 2 ¹ / ₂ 3	UKP217D1;H2317X UKP217D1;HA2317X UKP217D1;HE2317X	95.2 3 ⁷ / ₈	310 12 ³ / ₃₂	247 9 ²⁷ / ₃₂	83 3 ³ / ₃₂	25 1 ¹ / ₃₂	28 1 ¹ / ₃₂	32 1 ¹ / ₄	187 7 ⁷ / ₈	82 3.228	85 3 ¹ / ₃₂	M20 #4	UK217D1;H2317X UK217D1;HA2317X UK217D1;HE2317X
80 3 ¹ / ₁₆	UKP218D1;H2318X UKP218D1;HA2318X	101.6 4	327 12 ⁸ / ₈	262 10 ⁷ / ₁₆	88 3 ¹ / ₃₂	27 1 ¹ / ₁₆	30 1 ¹ / ₁₆	33 1 ¹ / ₁₆	200 7 ⁸ / ₈	86 3.386	90 3 ¹ / ₃₂	M22 #8	UK218D1;H2318X UK218D1;HA2318X

Remarks: 1) These numbers indicate relubricatable type. If maintenance free type is needed, please order without suffix "D1".

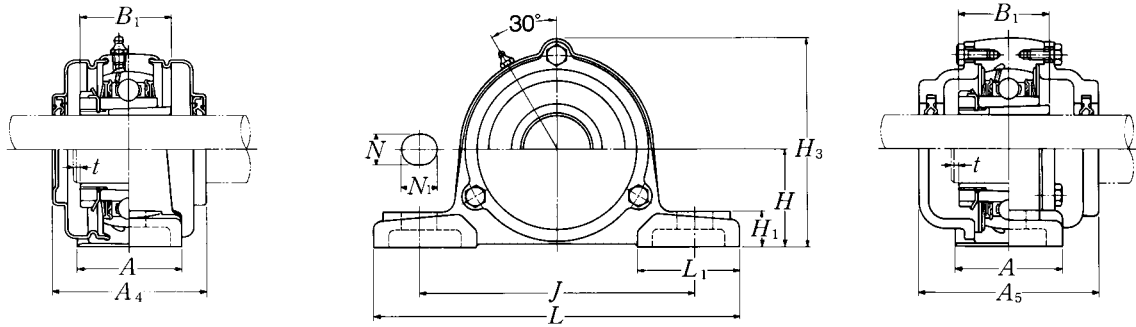
2) Adapter number with suffix "X" means a narrow slot type adapter sleeve.

In this case the lock washer with the straight inner prong should be used.

3) For HE2311XY, screw thread pitch different from the standard is applied, because of the thin thread section of sleeve.

To distinguish it, a suffix "Y" is added.

Note: Please refer to page 25 for size of grease fitting.



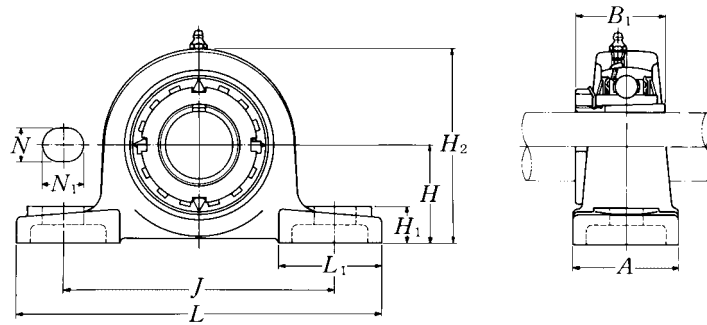
Cast dust cover type

Open end: **C-UKP...D1**

Closed end: **CM-UKP...D1**

Housing number	Unit number pressed steel dust cover type	Unit number cast dust cover type	Nominal dimensions				Mass of unit		
			mm		inch		kg		lb
			t max.	A4	H3	A5	UKP	S(SM)	C(CM)
P215D1	-	C(CM)-UKP215D1;H2315X	4	-	168	135	7.6	-	12
P215D1	-	C(CM)-UKP215AD1;HA2315	3/32	-	6 1/8	5 1/16	17	-	26
P215D1	-	C(CM)-UKP215ED1;HE2315X							
P216D1	-	C(CM)-UKP216D1;H2316X	4	-	181	145	9.4	-	13
P216D1	-	C(CM)-UKP216AD1;HA2316	3/32	-	7 1/8	5 3/32	21	-	29
P216D1	-	C(CM)-UKP216D1;HE2316X							
P217D1	-	C(CM)-UKP217D1;H2317X	5	-	191	155	12	-	16
P217D1	-	C(CM)-UKP217AD1;HA2317X	1/4	-	7 1/32	6 3/32	26	-	35
P217D1	-	C(CM)-UKP217ED1;HE2317X							
P218D1	-	C(CM)-UKP218D1;H2318X	5	-	204	165	14	-	19
P218D1	-	C(CM)-UKP218AD1;HA2318X	1/4	-	8 1/32	6 1/2	31	-	42

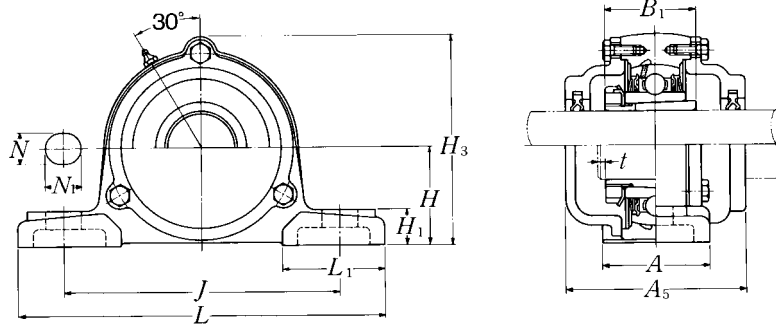
Pillow blocks cast housing
Adapter type



Shaft dia.	Unit number ^{1) 2) 3)}	Nominal dimensions										Bolt size	Bearing number
		mm		inch		mm		inch		mm			
mm inch		H	L	J	A	N	N _i	H _i	H ₂	B ₁	L ₁	mm inch	
20 #4	UKP305D1;H2305X UKP305D1;HE2305	45 1 3/4	175 6 8/8	132 5 1/6	45 1 3/8	17 2 1/2	20 2 3/4	15 1 1/2	85 3 1/2	35 1.378	54 2 1/8	M14 1/2	UK305D1;H2305X UK305D1;HE2305
25 1	UKP306D1;H2306X UKP306D1;HS2306 UKP306D1;HE2306X	50 1 7/8	180 7 1/2	140 5 1/2	50 1 7/8	17 2 1/4	20 2 3/4	18 2 1/4	95 3 3/4	38 1.496	54 2 1/8	M14 1/2	UK306D1;H2306X UK306D1;HS2306 UK306D1;HE2306X
30 1 1/8	UKP307D1;H2307X UKP307D1;HS2307	56 2 1/4	210 8 3/2	160 6 1/6	56 2 1/4	17 2 1/4	25 2 1/2	20 2 3/4	106 4 1/6	43 1.693	60 2 3/8	M14 1/2	UK307D1;H2307X UK307D1;HS2307
35 1 1/4 1 5/8	UKP308D1;H2308X UKP308D1;HE2308X UKP308D1;HS2308X	60 2 3/8	220 8 3/2	170 6 1/2	60 2 3/8	17 2 1/4	27 2 1/4	22 2 1/4	116 4 1/6	46 1.811	60 2 3/8	M14 1/2	UK308D1;H2308X UK308D1;HE2308X UK308D1;HS2308X
40 1 5/8 1 1/2 1 3/8	UKP309D1;H2309X UKP309D1;HA2309 UKP309D1;HE2309X UKP309D1;HS2309X	67 2 5/8	245 9 3/2	190 7 1/2	67 2 5/8	20 2 3/8	30 2 3/4	24 1 7/8	129 5 1/2	50 1.969	65 2 1/6	M16 3/8	UK309D1;H2309X UK309D1;HA2309 UK309D1;HE2309X UK309D1;HS2309X
45 1 3/8 1 1/2 1 3/4	UKP310D1;H2310X UKP310D1;HS2310 UKP310D1;HA2310 UKP310D1;HE2310X	75 2 7/8	275 10 1/2	212 8 1/2	75 2 7/8	20 2 3/8	35 2 3/4	27 1 3/4	143 5 5/8	55 2.165	75 2 7/8	M16 3/8	UK310D1;H2310X UK310D1;HS2310 UK310D1;HA2310 UK310D1;HE2310X
50 1 3/8 1 1/2 2	UKP311D1;H2311X UKP311D1;HS2311 UKP311D1;HA2311 UKP311D1;HE2311XY	80 3 1/2	310 12 3/2	236 9 3/2	80 3 1/2	20 2 3/8	38 2 3/4	30 1 1/2	154 6 1/6	59 2.323	85 3 1/2	M16 3/8	UK311D1;H2311X UK311D1;HS2311 UK311D1;HA2311 UK311D1;HE2311XY
55 2 1/8	UKP312D1;H2312X UKP312D1;HS2312	85 3 1/2	330 13	250 9 3/2	85 3 1/2	25 2 1/2	38 2 3/4	32 1 1/4	165 6 1/2	62 2.441	95 3 3/4	M20 3/4	UK312D1;H2312X UK312D1;HS2312
60 2 3/8 2 1/4 2 3/8	UKP313D1;H2313X UKP313D1;HA2313 UKP313D1;HE2313X UKP313D1;HS2313X	90 3 3/8	340 13 3/8	260 10 1/4	90 3 1/2	25 2 1/2	38 2 3/4	33 1 1/2	176 6 1/6	65 2.559	105 4 1/8	M20 3/4	UK313D1;H2313X UK313D1;HA2313 UK313D1;HE2313X UK313D1;HS2313X

Remarks: 1) These numbers indicate relubricatable type. If maintenance free type is needed, please order without suffix "D1".
 2) Adapter number with suffix "X" means a narrow slot type adapter sleeve.
 In this case the lock washer with the straight inner prong should be used.
 3) For HE2311XY, screw thread pitch different from the standard is applied, because of the thin thread section of sleeve.
 To distinguish it, a suffix "Y" is added.

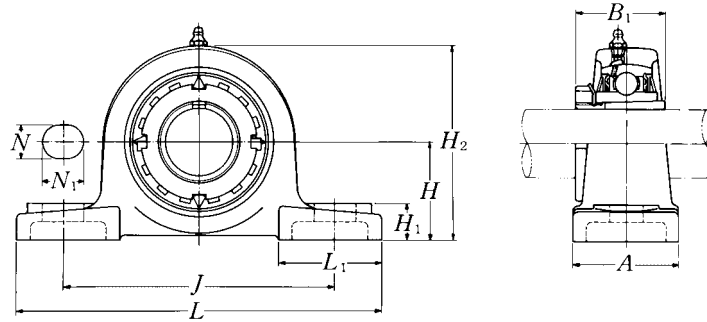
Note: Please refer to page 25 for size of grease fitting.



Cast dust cover type
 Open end: **C-UKP...D1**
 Closed end: **CM-UKP...D1**

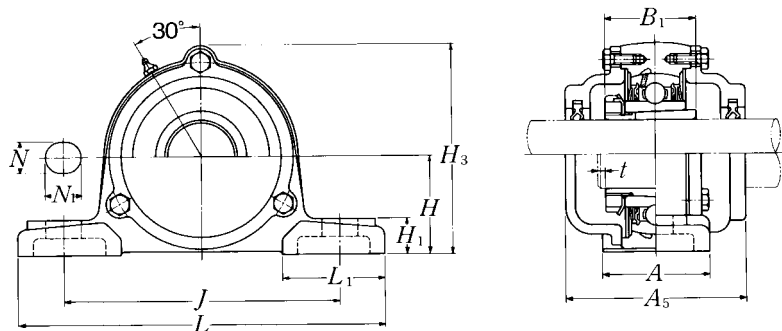
Housing number	Unit number cast dust cover type	Nominal dimensions			Mass of unit	
		mm	inch		kg	lb
		t	H ₃	A ₅	UKP	C(CM)
		max.				
P305D1	C(CM)-UKP305D1;H2305X	2	91	80	1.4	2.2
P305D1	C(CM)-UKP305ED1;HE2305	3/64	3 1/32	3 3/32	3.1	4.9
P306D1	C(CM)-UKP306D1;H2306X	2	105	85	1.8	2.8
P306D1	C(CM)-UKP306SD1;HS2306	3/64	4 1/8	3 1 1/32	4.0	6.2
P306D1	C(CM)-UKP306ED1;HE2306X					
P307D1	C(CM)-UKP307D1;H2307X	3	115	95	2.9	3.6
P307D1	C(CM)-UKP307SD1;HS2307	1/8	4 1/8	3 7/8	6.4	7.9
P308D1	C(CM)-UKP308D1;H2308X	3	125	105	3.1	4.6
P308D1	C(CM)-UKP308ED1;HE2308X	1/8	4 9/32	4 1/8	6.8	10
P308D1	C(CM)-UKP308D1;HS2308X					
P309D1	C(CM)-UKP309D1;H2309X	3	140	110	4.2	6.3
P309D1	C(CM)-UKP309AD1;HA2309	1/8	5 1/2	4 1 1/32	9.3	14
P309D1	C(CM)-UKP309ED1;HE2309X					
P309D1	C(CM)-UKP309SD1;HS2309X					
P310D1	C(CM)-UKP310D1;H2310X	3	156	120	5.8	8.5
P310D1	C(CM)-UKP310SD1;HS2310	1/8	6 3/32	4 9/32	13	19
P310D1	C(CM)-UKP310AD1;HA2310					
P310D1	C(CM)-UKP310ED1;HE2310X					
P311D1	C(CM)-UKP311D1;H2311X	4	166	125	7.4	9.8
P311D1	C(CM)-UKP311SD1;HS2311	3/32	6 1/8	4 9/32	16	22
P311D1	C(CM)-UKP311AD1;HA2311					
P311D1	C(CM)-UKP311ED1;HE2311XY					
P312D1	C(CM)-UKP312D1;H2312X	4	179	135	9.3	12
P312D1	C(CM)-UKP312SD1;HS2312	3/32	7 1/16	5 7/16	21	26
P313D1	C(CM)-UKP313D1;H2313X	4	190	140	10	15
P313D1	C(CM)-UKP313AD1;HA2313	3/32	7 1/32	5 1/2	22	33
P313D1	C(CM)-UKP313ED1;HE2313X					
P313D1	C(CM)-UKP313SD1;HS2313X					

Pillow blocks cast housing
Adapter type



Shaft dia.	Unit number ^{1) 2) 3)}	Nominal dimensions										Bolt size	Bearing number
		mm					inch						
		H	L	J	A	N	N _i	H _i	H ₂	B ₁	L ₁		
65 2 1/8 2 1/2	UKP315D1;H2315X UKP315D1;HA2315 UKP315D1;HE2315X	100 3 15/16	380 14 1/32	290 11 11/32	100 3 15/16	27 1 1/16	40 1 1/16	35 1 1/8	198 7 3/32	73 2.874	110 4 11/32	M22 8/8	UK315D1;H2315X UK315D1;HA2315 UK315D1;HE2315X
70 2 11/16 2 3/4	UKP316D1;H2316X UKP316D1;HA2316 UKP316D1;HE2316X	106 4 11/64	400 15 5/8	300 11 11/16	110 4 11/32	27 1 1/16	40 1 1/16	40 1 1/16	210 8 3/32	78 3.071	110 4 11/32	M22 8/8	UK316D1;H2316X UK316D1;HA2316 UK316D1;HE2316X
75 2 13/16 3	UKP317D1;H2317X UKP317D1;HA2317X UKP317D1;HE2317X	112 4 11/32	420 16 1/32	320 12 1/32	110 4 11/32	33 1 1/16	45 1 3/32	40 1 1/16	220 8 3/32	82 3.228	120 4 7/32	M27 1	UK317D1;H2317X UK317D1;HA2317X UK317D1;HE2317X
80 3 1/8	UKP318D1;H2318X UKP318D1;HA2318X	118 4 5/64	430 16 11/16	330 13	110 4 11/32	33 1 1/16	45 1 3/32	45 1 3/32	235 9 1/4	86 3.386	120 4 7/32	M27 1	UK318D1;H2318X UK318D1;HA2318X
85 3 1/4	UKP319D1;H2319X UKP319D1;HE2319X	125 4 7/64	470 18 1/2	360 14 1/16	120 4 7/32	36 1 1/32	50 1 11/32	45 1 3/32	250 9 3/32	90 3.543	125 4 31/32	M30 1 1/8	UK319D1;H2319X UK319D1;HE2319X
90 3 3/8 3 1/2	UKP320D1;H2320X UKP320D1;HA2320 UKP320D1;HE2320X	140 5 5/8	490 19 1/32	380 14 11/32	120 4 7/32	36 1 1/32	50 1 11/32	50 1 11/32	275 10 11/16	97 3.819	130 5 1/8	M30 1 1/8	UK320D1;H2320X UK320D1;HA2320 UK320D1;HE2320X
100	UKP322D1;H2322X	150	520	400	140	40	55	55	300	105	135	M33	UK322D1;H2322X
110	UKP324D1;H2324X	160	570	450	140	40	55	65	320	112	140	M33	UK324D1;H2324X
115	UKP326D1;H2326	180	600	480	140	40	55	75	355	121	140	M33	UK326D1;H2326
125	UKP328D1;H2328	200	620	500	140	40	55	75	390	131	140	M33	UK328D1;H2328

Remarks: 1) These numbers indicate relubricatable type. If maintenance free type is needed, please order without suffix "D1".
 2) Adapter number with suffix "X" means a narrow slot type adapter sleeve.
 In this case the lock washer with the straight inner prong should be used.
 3) For HE2311XY, screw thread pitch different from the standard is applied, because of the thin thread section of sleeve.
 To distinguish it, a suffix "Y" is added.
 Note: Please refer to page 25 for size of grease fitting.



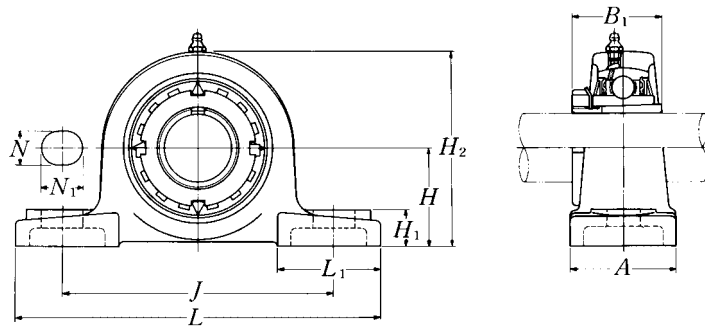
Cast dust cover type

Open end: **C-UKP...D1**

Closed end: **CM-UKP...D1**

Housing number	Unit number cast dust cover type	Nominal dimensions			Mass of unit	
		mm		inch	kg	lb
		t max.	H ₃	A ₅	UKP	C(CM)
P315D1	C(CM)-UKP315D1;H2315X	4	210	150	15	21
P315D1	C(CM)-UKP315AD1;HA2315	4	210	150	15	21
P315D1	C(CM)-UKP315ED1;HE2315X	4	210	150	15	21
P316D1	C(CM)-UKP316D1;H2316X	4	221	155	18	24
P316D1	C(CM)-UKP316AD1;HA2316	4	221	155	18	24
P316D1	C(CM)-UKP316D1;HE2316X	4	221	155	18	24
P317D1	C(CM)-UKP317D1;H2317X	5	235	170	20	27
P317D1	C(CM)-UKP317AD1;HA2317X	5	235	170	20	27
P317D1	C(CM)-UKP317ED1;HE2317X	5	235	170	20	27
P318D1	C(CM)-UKP318D1;H2318X	5	246	170	24	31
P318D1	C(CM)-UKP318AD1;HA2318X	5	246	170	24	31
P319D1	C(CM)-UKP319D1;H2319X	5	258	180	29	38
P319D1	C(CM)-UKP319ED1;HE2319X	5	258	180	29	38
P320D1	C(CM)-UKP320D1;H2320X	5	283	190	35	47
P320D1	C(CM)-UKP320AD1;HA2320	5	283	190	35	47
P320D1	C(CM)-UKP320ED1;HE2320X	5	283	190	35	47
P322D1	C(CM)-UKP322D1;H2322X	5	313	200	46	60
P324D1	C(CM)-UKP324D1;H2324X	5	335	215	55	69
P326D1	C(CM)-UKP326D1;H2326	6	375	225	73	94
P328D1	C(CM)-UKP328D1;H2328	6	407	235	89	114

Pillow blocks cast housing
Adapter type



Shaft dia.	Unit number ^{1) 2) 3)}	Nominal dimensions										Bolt size
		mm					inch					
mm inch		H	L	J	A	N	N ₁	H ₁	H ₂	B ₁	L ₁	mm inch
20 #4	UKPX05D1;H2305X UKPX05D1;HE2305	44.4 1#4	159 6!4	119 4!!76	51 2	17 @!32	20 @%32	18 @#32	85 3!!32	35 1.378	50 1#132	M14 !Z
25 88 1	UKPX06D1;H2306X UKPX06D1;HS2306 UKPX06D1;HE2306X	47.6 188	175 688	127 5	57 2!4	17 @!32	20 @%32	20 @%32	93 3@!32	38 1.496	54 2!8	M14 !Z
30 1!8	UKPX07D1;H2307X UKPX07D1;HS2307	54 2!8	203 8	144 5@!32	57 2!4	17 @!32	20 @%32	21 !#76	105 4!8	43 1.693	60 2#8	M14 !Z
35 1!4 1#8	UKPX08D1;H2308X UKPX08D1;HE2308X UKPX08D1;HS2308X	58.7 2%76	222 8#4	156 6%32	67 2%8	20 @%32	23 @32	26 !132	111 4#8	46 1.811	65 2(76	M16 %8
40 1876 1!Z 1%8	UKPX09D1;H2309X UKPX09D1;HA2309 UKPX09D1;HE2309X UKPX09D1;HS2309X	58.7 2%76	222 8#4	156 6%32	67 2%8	20 @%32	23 @32	26 !132	116 4(76	50 1.969	65 2(76	M16 %8
45 1%8 1!!76 1#4	UKPX10D1;H2310X UKPX10D1;HS2310 UKPX10D1;HA2310 UKPX10D1;HE2310X	63.5 2!Z	241 9!Z	171 6@#32	73 288	20 @%32	23 @32	27 !176	126 4#132	55 2.165	70 2#4	M16 %8
50 188 1!%76 2	UKPX11D1;H2311X UKPX11D1;HS2311 UKPX11D1;HA2311 UKPX11D1;HE2311XY	69.8 2#4	260 10!4	184 7!4	79 3!8	25 #!32	28 1#32	30 1#76	137 5!#32	59 2.323	75 2!%76	M20 #4
55 2!8	UKPX12D1;H2312X UKPX12D1;HS2312	76.2 3	286 11!4	203 8	83 332	25 #!32	28 1#32	33 1%76	151 5!%76	62 2.441	80 3%32	M20 #4
60 2#76 2!4 2#8	UKPX13D1;H2313X UKPX13D1;HA2313 UKPX13D1;HE2313X UKPX13D1;HS2313X	76.2 3	286 11!4	203 8	83 332	25 #!32	28 1#32	33 1%76	154 6!76	65 2.559	80 3%32	M20 #4

Remarks: 1) These numbers indicate relubricatable type. If maintenance free type is needed, please order without suffix "D1".

2) Adapter number with suffix "X" means a narrow slot type adapter sleeve.

In this case the lock washer with the straight inner prong should be used.

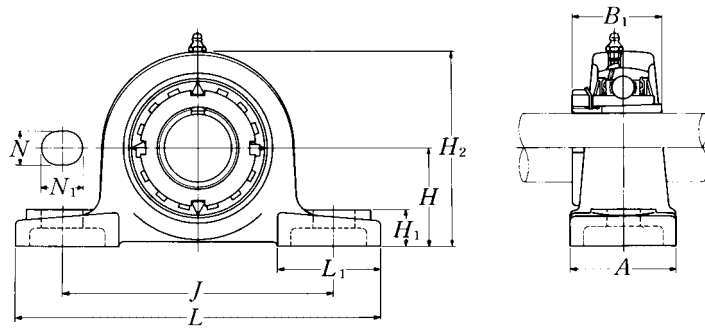
3) For HE2311XY, screw thread pitch different from the standard is applied, because of the thin thread section of sleeve.

To distinguish it, a suffix "Y" is added.

Note: Please refer to page 25 for size of grease fitting.

Bearing number	Housing number	Mass of unit	
		kg	lb
UKX05D1;H2305X	PX05D1	1.5	
UKX05D1;HE2305	PX05D1	3.3	
UKX06D1;H2306X	PX06D1	1.8	
UKX06D1;HS2306	PX06D1	4.0	
UKX06D1;HE2306X	PX06D1		
UKX07D1;H2307X	PX07D1	2.5	
UKX07D1;HS2307	PX07D1	5.5	
UKX08D1;H2308X	PX08D1	3.2	
UKX08D1;HE2308X	PX08D1	7.1	
UKX08D1;HS2308X	PX08D1		
UKX09D1;H2309X	PX09D1	3.3	
UKX09D1;HA2309	PX09D1		
UKX09D1;HE2309X	PX09D1	7.3	
UKX09D1;HS2309X	PX09D1		
UKX10D1;H2310X	PX10D1	4.2	
UKX10D1;HS2310	PX10D1		
UKX10D1;HA2310	PX10D1	9.3	
UKX10D1;HE2310X	PX10D1		
UKX11D1;H2311X	PX11D1	5.4	
UKX11D1;HS2311	PX11D1		
UKX11D1;HA2311	PX11D1	12	
UKX11D1;HE2311XY	PX11D1		
UKX12D1;H2312X	PX12D1	7.1	
UKX12D1;HS2312	PX12D1	16	
UKX13D1;H2313X	PX13D1	7.3	
UKX13D1;HA2313	PX13D1		
UKX13D1;HE2313X	PX13D1	16	
UKX13D1;HS2313X	PX13D1		

Pillow blocks cast housing
Adapter type



Shaft dia.	Unit number ^{1) 2) 3)}	Nominal dimensions										Bolt size		
		mm		inch		mm		inch		mm			inch	
		H	L	J	A	N	N _i	H ₁	H ₂	B ₁	L ₁		mm	inch
65 2 ¹¹ / ₁₆ 2 ¹ / ₂	UKPX15D1;H2315X UKPX15D1;HA2315 UKPX15D1;HE2315X	88.9 3 ¹ / ₂	330 13	229 9 ¹ / ₂	89 3 ¹ / ₂	27 1 ¹ / ₂	30 1 ¹ / ₂	35 1 ³ / ₈	175 6 ⁷ / ₈	73 2.874	95 3 ⁷ / ₈	M22 8/8		
70 2 ¹ / ₁₆ 2 ³ / ₄	UKPX16D1;H2316X UKPX16D1;HA2316 UKPX16D1;HE2316X	101.6 4	381 15	283 11 ¹ / ₂	102 4 ¹ / ₂	27 1 ¹ / ₂	30 1 ¹ / ₂	40 1 ¹ / ₂	194 7 ⁷ / ₈	78 3.071	110 4 ¹ / ₂	M22 8/8		
75 2 ¹ / ₁₆ 3	UKPX17D1;H2317X UKPX17D1;HA2317X UKPX17D1;HE2317X	101.6 4	381 15	283 11 ¹ / ₂	102 4 ¹ / ₂	27 1 ¹ / ₂	30 1 ¹ / ₂	40 1 ¹ / ₂	200 7 ⁷ / ₈	82 3.228	110 4 ¹ / ₂	M22 8/8		
80 3 ³ / ₁₆	UKPX18D1;H2318X UKPX18D1;HA2318X	101.6 4	381 15	283 11 ¹ / ₂	111 4 ⁷ / ₈	27 1 ¹ / ₂	30 1 ¹ / ₂	40 1 ¹ / ₂	206 8 ¹ / ₈	86 3.386	110 4 ¹ / ₂	M22 8/8		
90	UKPX20D1;H2320X	127	432	337	121	33	36	45	244	97	125	M27		

Remarks: 1) These numbers indicate relubricatable type. If maintenance free type is needed, please order without suffix "D1".

2) Adapter number with suffix "X" means a narrow slot type adapter sleeve.

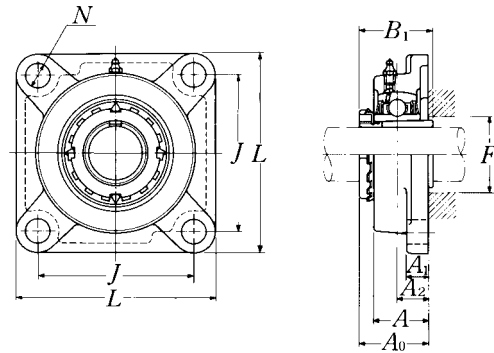
In this case the lock washer with the straight inner prong should be used.

3) For HE2311XY, screw thread pitch different from the standard is applied, because of the thin thread section of sleeve.
To distinguish it, a suffix "Y" is added.

Note: Please refer to page 25 for size of grease fitting.

Bearing number	Housing number	Mass of unit	
		kg	lb
UKX15D1;H2315X	PX15D1	11	
UKX15D1;HA2315	PX15D1	24	
UKX15D1;HE2315X	PX15D1		
UKX16D1;H2316X	PX16D1	16	
UKX16D1;HA2316	PX16D1	35	
UKX16D1;HE2316X	PX16D1		
UKX17D1;H2317X	PX17D1	16	
UKX17D1;HA2317X	PX17D1	35	
UKX17D1;HE2317X	PX17D1		
UKX18D1;H2318X	PX18D1	17	
UKX18D1;HA2318X	PX18D1	37	
UKX20D1;H2320X	PX20D1	29	

Flanged units cast housing Adapter type



Shaft dia.	Unit number ^{1) 2) 3)}	Nominal dimensions									Bolt size	Bearing number
		<i>L</i>	<i>J</i>	<i>A₂</i>	<i>A₁</i>	<i>A</i>	<i>N</i>	<i>A₀</i>	<i>B₁</i>	<i>F</i> min.		
mm inch		mm	inch	mm	mm	mm	mm	mm	mm	mm	mm inch	
20 #4	UKF205D1;H2305X UKF205D1;HE2305	95 3#4	70 2#4	16 #8	13 !2	27 1!7/6	12 !#32	35.5 1@#64	35 1.378	30 1#7/6	M10 #8	UK205D1;H2305X UK205D1;HE2305
25 #8 1	UKF206D1;H2306X UKF206D1;HS2306 UKF206D1;HE2306X	108 4!4	83 3!&64	18 #8	13 !2	31 1&32	12 !#32	39 1!&32	38 1.496	36 1!#32	M10 #8	UK206D1;H2306X UK206D1;HS2306 UK206D1;HE2306X
30 1!8	UKF207D1;H2307X UKF207D1;HS2307	117 4!(32	92 3#8	19 #4	15 !(32	34 1!!32	14 #&64	42.5 1\$#64	43 1.693	40 1(7/6	M12 #7/6	UK207D1;H2307X UK207D1;HS2307
35 1!4 1#8	UKF208D1;H2308X UKF208D1;HE2308X UKF208D1;HS2308X	130 5!8	102 4!64	21 #&64	15 !(32	36 1!#32	16 #8	46.5 1#&64	46 1.811	46 1!#7/6	M14 !2	UK208D1;H2308X UK208D1;HE2308X UK208D1;HS2308X
40 1&7/6 1!2 1#8	UKF209D1;H2309X UKF209D1;HA2309 UKF209D1;HE2309X UKF209D1;HS2309X	137 5!#32	105 4(64	22 #&64	16 #8	38 1!2	16 #8	48.5 1@32	50 1.969	52 2!7/6	M14 !2	UK209D1;H2309X UK209D1;HA2309 UK209D1;HE2309X UK209D1;HS2309X
45 1#8 1!!7/6 1#4	UKF210D1;H2310X UKF210D1;HS2310 UKF210D1;HA2310 UKF210D1;HE2310X	143 5#8	111 4#8	22 #&64	16 #8	40 1(7/6	16 #8	50 1!#32	55 2.165	57 2!4	M14 !2	UK210D1;H2310X UK210D1;HS2310 UK210D1;HA2310 UK210D1;HE2310X
50 1&8 1!%7/6 2	UKF211D1;H2311X UKF211D1;HS2311 UKF211D1;HA2311 UKF211D1;HE2311XY	162 6#8	130 5!8	25 ^#64	18 @#32	43 1!!7/6	19 #4	54.5 2(64	59 2.323	64 2!&32	M16 #8	UK211D1;H2311X UK211D1;HS2311 UK211D1;HA2311 UK211D1;HE2311XY
55 2!8	UKF212D1;H2312X UKF212D1;HS2312	175 6&8	143 5#8	29 1(64	18 @#32	48 1&8	19 #4	61 2!#32	62 2.441	69 2@#32	M16 #8	UK212D1;H2312X UK212D1;HS2312
60 2#7/6 2!4 2#8	UKF213D1;H2313X UKF213D1;HA2313 UKF213D1;HE2313X UKF213D1;HS2313X	187 7#8	149 5#&64	30 1#7/6	22 &8	50 1#!32	19 #4	64 2##64	65 2.559	74 2@32	M16 #8	UK213D1;H2313X UK213D1;HA2313 UK213D1;HE2313X UK213D1;HS2313X

Remarks: 1) These numbers indicate relubricatable type. If maintenance free type is needed, please order without suffix "D1".

2) Adapter number with suffix "X" means a narrow slot type adapter sleeve.

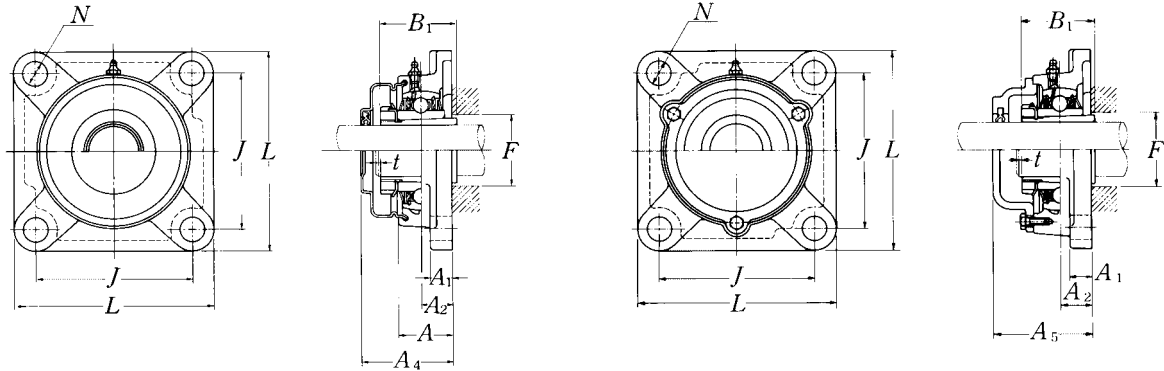
In this case the lock washer with the straight inner prong should be used.

3) For HE2311XY, screw thread pitch different from the standard is applied, because of the thin thread section of sleeve. To distinguish it, a suffix "Y" is added.

4) If the inch series housing units with dust cover are ordered with a closed end, the suffixes E, S or A are not included.

Example: SM-UKF205D1; HE2305

Note: Please refer to page 25 for size of grease fitting.



Pressed steel dust cover type

Open end: **S-UKF...D1**

Closed end: **SM-UKF...D1**

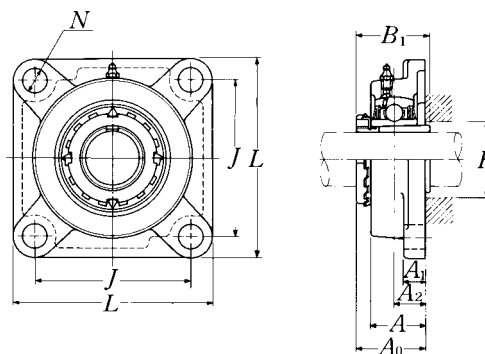
Cast dust cover type

Open end: **C-UKF...D1**

Closed end: **CM-UKF...D1**

Housing number	Unit number ⁴⁾ pressed steel dust cover type	Unit number ⁴⁾ cast dust cover type	Nominal dimensions			Mass of unit		
			mm t max.	inch A ₄	inch A ₅	kg UKF	lb S(SM)	lb C(CM)
F205D1	S(SM)-UKF205D1;H2305X	C(CM)-UKF205D1;H2305X	2	44.5	51	0.8	0.8	1.1
F205D1	S(SM)-UKF205ED1;HE2305	C(CM)-UKF205ED1;HE2305	3/64	1#4	2	1.8	1.8	2.4
F206D1	S(SM)-UKF206D1;H2306X	C(CM)-UKF206D1;H2306X	2	49	56	1.1	1.1	1.6
F206D1	S(SM)-UKF206SD1;HS2306	C(CM)-UKF206SD1;HS2306	3/64	1 1/16	2 3/32	2.4	2.4	3.5
F206D1	S(SM)-UKF206ED1;HE2306X	C(CM)-UKF206ED1;HE2306X						
F207D1	S(SM)-UKF207D1;H2307X	C(CM)-UKF207D1;H2307X	3	55	59	1.5	1.6	2.1
F207D1	S(SM)-UKF207SD1;HS2307	C(CM)-UKF207SD1;HS2307	1/8	2 3/32	2 1/16	3.3	3.5	4.6
F208D1	S(SM)-UKF208D1;H2308X	C(CM)-UKF208D1;H2308X	3	62	66	1.9	2.0	2.7
F208D1	S(SM)-UKF208ED1;HE2308X	C(CM)-UKF208ED1;HE2308X	1/8	2 5/16	2 1/32	4.2	4.4	6.0
F208D1	S(SM)-UKF208D1;HS2308X	C(CM)-UKF208D1;HS2308X						
F209D1	S(SM)-UKF209D1;H2309X	C(CM)-UKF209D1;H2309X	3	63	70	2.3	2.4	3.0
F209D1	S(SM)-UKF209AD1;HA2309	C(CM)-UKF209AD1;HA2309						
F209D1	S(SM)-UKF209ED1;HE2309X	C(CM)-UKF209ED1;HE2309X	1/8	2 1/32	2#4	5.1	5.3	6.6
F209D1	S(SM)-UKF209SD1;HS2309X	C(CM)-UKF209SD1;HS2309X						
F210D1	S(SM)-UKF210D1;H2310X	C(CM)-UKF210D1;H2310X	3	65.5	72	2.6	2.7	3.6
F210D1	S(SM)-UKF210SD1;HS2310	C(CM)-UKF210SD1;HS2310						
F210D1	S(SM)-UKF210AD1;HA2310	C(CM)-UKF210AD1;HA2310	1/8	2 1/32	2 3/32	5.7	6.0	7.9
F210D1	S(SM)-UKF210ED1;HE2310X	C(CM)-UKF210ED1;HE2310X						
F211D1	S(SM)-UKF211D1;H2311X	C(CM)-UKF211D1;H2311X	4	71	75	3.8	3.9	4.9
F211D1	S(SM)-UKF211SD1;HS2311	C(CM)-UKF211SD1;HS2311						
F211D1	S(SM)-UKF211AD1;HA2311	C(CM)-UKF211AD1;HA2311	3/32	2 3/32	2 1/16	8.4	8.6	11
F211D1	S(SM)-UKF211ED1;HE2311XY	C(CM)-UKF211ED1;HE2311XY						
F212D1	S(SM)-UKF212D1;H2312X	C(CM)-UKF212D1;H2312X	4	80	86	4.5	4.7	6.0
F212D1	S(SM)-UKF212SD1;HS2312	C(CM)-UKF212SD1;HS2312	3/32	3 3/32	3#8	9.9	10	13
F213D1	S(SM)-UKF213D1;H2313X	C(CM)-UKF213D1;H2313X	4	83.5	90	5.6	5.8	7.4
F213D1	S(SM)-UKF213AD1;HA2313	C(CM)-UKF213AD1;HA2313						
F213D1	S(SM)-UKF213ED1;HE2313X	C(CM)-UKF213ED1;HE2313X	3/32	3 1/16	3 1/32	12	13	16
F213D1	S(SM)-UKF213SD1;HS2313X	C(CM)-UKF213SD1;HS2313X						

Flanged units cast housing Adapter type



Shaft dia.	Unit number ^{1) 2) 3)}	Nominal dimensions									Bolt size	Bearing number
		<i>L</i>	<i>J</i>	<i>A</i> ₂	<i>A</i> ₁	<i>A</i>	<i>N</i>	<i>A</i> ₀	<i>B</i> ₁	<i>F</i> min.		
mm inch					mm	inch					mm inch	
65 2 $\frac{1}{8}$ 2 $\frac{1}{2}$	UKF215D1;H2315X UKF215D1;HA2315 UKF215D1;HE2315X	200 7 $\frac{8}{8}$	159 6 $\frac{1}{4}$	34 1 $\frac{1}{2}$	22 $\frac{8}{8}$	56 2 $\frac{1}{4}$	19 $\frac{3}{4}$	71 2 $\frac{1}{4}$	73 2.874	84 3 $\frac{1}{4}$	M16 $\frac{5}{8}$	UK215D1;H2315X UK215D1;HA2315 UK215D1;HE2315X
70 2 $\frac{1}{2}$ 2 $\frac{3}{4}$	UKF216D1;H2316X UKF216D1;HA2316 UKF216D1;HE2316X	208 8 $\frac{1}{4}$	165 6 $\frac{1}{2}$	34 1 $\frac{1}{2}$	22 $\frac{8}{8}$	58 2 $\frac{3}{8}$	23 $\frac{9}{16}$	73.5 2 $\frac{7}{8}$	78 3.071	90 3 $\frac{1}{2}$	M20 $\frac{3}{4}$	UK216D1;H2316X UK216D1;HA2316 UK216D1;HE2316X
75 2 $\frac{1}{2}$ 3	UKF217D1;H2317X UKF217D1;HA2317X UKF217D1;HE2317X	220 8 $\frac{3}{4}$	175 6 $\frac{5}{8}$	36 1 $\frac{3}{4}$	24 1 $\frac{1}{4}$	63 2 $\frac{1}{2}$	23 $\frac{9}{16}$	77 3 $\frac{1}{8}$	82 3.228	95 3 $\frac{3}{4}$	M20 $\frac{3}{4}$	UK217D1;H2317X UK217D1;HA2317X UK217D1;HE2317X
80 3 $\frac{1}{8}$	UKF218D1;H2318X UKF218D1;HA2318X	235 9 $\frac{1}{4}$	187 7 $\frac{3}{8}$	40 1 $\frac{5}{8}$	24 1 $\frac{1}{4}$	68 2 $\frac{1}{2}$	23 $\frac{9}{16}$	81.5 3 $\frac{1}{8}$	86 3.386	102 4 $\frac{1}{2}$	M20 $\frac{3}{4}$	UK218D1;H2318X UK218D1;HA2318X

Remarks: 1) These numbers indicate relubricatable type. If maintenance free type is needed, please order without suffix "D1".

2) Adapter number with suffix "X" means a narrow slot type adapter sleeve.

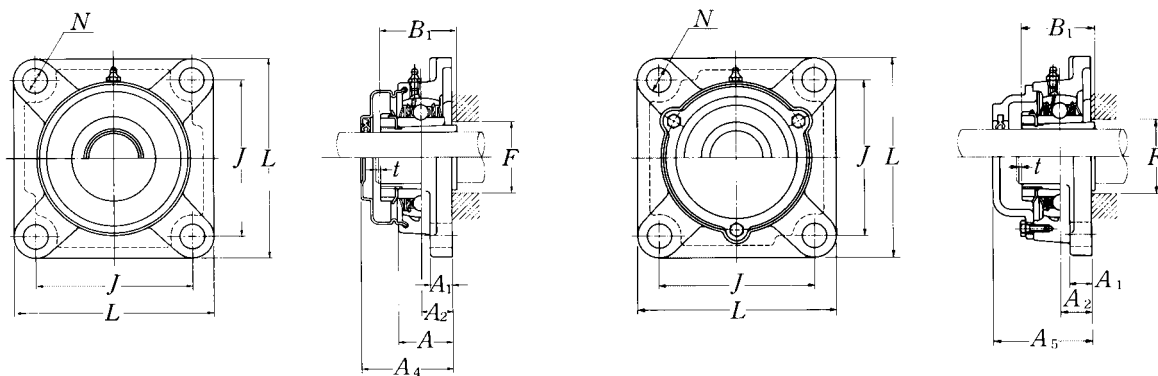
In this case the lock washer with the straight inner prong should be used.

3) For HE2311XY, screw thread pitch different from the standard is applied, because of the thin thread section of sleeve. To distinguish it, a suffix "Y" is added.

4) If the inch series housing units with dust cover are ordered with a closed end, the suffixes E, S or A are not included.

Example: SM-UKF205D1; HE2305

Note: Please refer to page 25 for size of grease fitting.

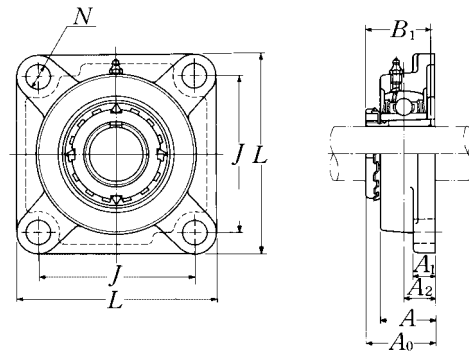


Pressed steel dust cover type
 Open end: **S-UKF...D1**
 Closed end: **SM-UKF...D1**

Cast dust cover type
 Open end: **C-UKF...D1**
 Closed end: **CM-UKF...D1**

Housing number	Unit number ⁴⁾ pressed steel dust cover type	Unit number ⁴⁾ cast dust cover type	Nominal dimensions			Mass of unit		
			mm t max.	inch A ₄	inch A ₅	kg UKF	lb S(SM)	lb C(CM)
F215D1	-	C(CM)-UKF215D1;H2315X	4	-	102	7.1	-	9.1
F215D1	-	C(CM)-UKF215AD1;HA2315	3/32	-	4 1/32	16	-	20
F215D1	-	C(CM)-UKF215ED1;HE2315X						
F216D1	-	C(CM)-UKF216D1;H2316X	4	-	106	8.5	-	11
F216D1	-	C(CM)-UKF216AD1;HA2316	3/32	-	4 7/16	19	-	24
F216D1	-	C(CM)-UKF216D1;HE2316X						
F217D1	-	C(CM)-UKF217D1;H2317X	5	-	114	9.9	-	13
F217D1	-	C(CM)-UKF217AD1;HA2317X	1/8	-	4 1/2	22	-	29
F217D1	-	C(CM)-UKF217ED1;HE2317X						
F218D1	-	C(CM)-UKF218D1;H2318X	5	-	122	12	-	16
F218D1	-	C(CM)-UKF218AD1;HA2318X	1/8	-	4 7/16	26	-	35

Flanged units cast housing Adapter type



Shaft dia.	Unit number ^{1) 2) 3)}	Nominal dimensions								Bolt size	Bearing number
		mm		inch		mm		inch			
mm inch		L	J	A ₂	A ₁	A	N	A ₀	B ₁	mm inch	
20 #4	UKF305D1;H2305X UKF305D1;HE2305	110 4 11/32	80 3 3/32	16 5/8	13 1/2	29 1 1/32	16 5/8	37 1 1/4	35 1 3/8	M14 1/2	UK305D1;H2305X UK305D1;HE2305
25 #8 1	UKF306D1;H2306X UKF306D1;HS2306 UKF306D1;HE2306X	125 4 1/32	95 3 5/16	18 3/4	15 1 1/32	32 1 1/4	16 5/8	40.5 1 1/2	38 1 4/8	M14 1/2	UK306D1;H2306X UK306D1;HS2306 UK306D1;HE2306X
30 1 1/8	UKF307D1;H2307X UKF307D1;HS2307	135 5 1/16	100 3 11/16	20 3/4	16 5/8	36 1 1/32	19 3/4	45.5 1 3/4	43 1 5/8	M16 5/8	UK307D1;H2307X UK307D1;HS2307
35 1 1/4 1 5/8	UKF308D1;H2308X UKF308D1;HE2308X UKF308D1;HS2308X	150 5 1/32	112 4 1/32	23 1 1/32	17 1 1/32	40 1 1/16	19 3/4	50 1 7/8	46 1 7/8	M16 5/8	UK308D1;H2308X UK308D1;HE2308X UK308D1;HS2308X
40 1 5/8 1 1/2 1 5/8	UKF309D1;H2309X UKF309D1;HA2309 UKF309D1;HE2309X UKF309D1;HS2309X	160 6 1/16	125 4 7/8	25 1 1/4	18 3/4	44 1 7/8	19 3/4	54.5 2 1/8	50 1 7/8	M16 5/8	UK309D1;H2309X UK309D1;HA2309 UK309D1;HE2309X UK309D1;HS2309X
45 1 5/8 1 11/16 1 5/8	UKF310D1;H2310X UKF310D1;HS2310 UKF310D1;HA2310 UKF310D1;HE2310X	175 6 5/8	132 5 1/8	28 1 1/4	19 3/4	48 1 7/8	23 1 1/4	60.5 2 3/8	55 2 1/8	M20 3/4	UK310D1;H2310X UK310D1;HS2310 UK310D1;HA2310 UK310D1;HE2310X
50 1 5/8 1 11/16 2	UKF311D1;H2311X UKF311D1;HS2311 UKF311D1;HA2311 UKF311D1;HE2311XY	185 7 1/32	140 5 5/8	30 1 1/16	20 3/4	52 2 1/16	23 1 1/4	64 2 5/8	59 2 3/8	M20 3/4	UK311D1;H2311X UK311D1;HS2311 UK311D1;HA2311 UK311D1;HE2311XY
55 2 1/8	UKF312D1;H2312X UKF312D1;HS2312	195 7 11/16	150 5 1/32	33 1 1/4	22 7/8	56 2 1/32	23 1 1/4	69.5 2 3/8	62 2 5/8	M20 3/4	UK312D1;H2312X UK312D1;HS2312
60 2 5/8 2 1/4 2 5/8	UKF313D1;H2313X UKF313D1;HA2313 UKF313D1;HE2313X UKF313D1;HS2313X	208 8 1/16	166 6 1/32	33 1 1/4	22 7/8	58 2 1/32	23 1 1/4	71.5 2 7/8	65 2 5/8	M20 3/4	UK313D1;H2313X UK313D1;HA2313 UK313D1;HE2313X UK313D1;HS2313X

Remarks: 1) These numbers indicate relubricatable type. If maintenance free type is needed, please order without suffix "D1".

2) Adapter number with suffix "X" means a narrow slot type adapter sleeve.

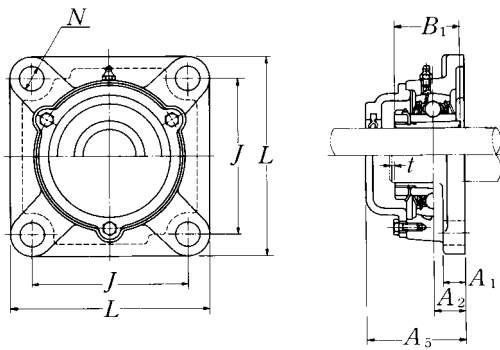
In this case the lock washer with the straight inner prong should be used.

3) For HE2311XY, screw thread pitch different from the standard is applied, because of the thin thread section of sleeve. To distinguish it, a suffix "Y" is added.

4) If the inch series housing units with dust cover are ordered with a closed end, the suffixes E, S or A are not included.

Example: CM-UKF305D1; HE2305

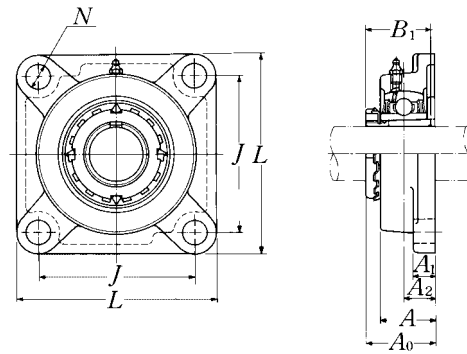
Note: Please refer to page 25 for size of grease fitting.



Cast dust cover type
 Open end: C-UKF...D1
 Closed end: CM-UKF...D1

Housing number	Unit number ⁴⁾ cast dust cover type	Nominal dimensions		Mass of unit	
		mm	inch	kg	lb
		t max.	A ₅	UKF	C(CM)
F305D1	C(CM)-UKF305D1;H2305X	2	56	1.1	1.6
F305D1	C(CM)-UKF305ED1;HE2305	3/64	2 3/32	2.4	3.5
F306D1	C(CM)-UKF306D1;H2306X	2	60	1.6	2.3
F306D1	C(CM)-UKF306SD1;HS2306	3/64	2 #8	3.5	5.1
F306D1	C(CM)-UKF306ED1;HE2306X				
F307D1	C(CM)-UKF307D1;H2307X	3	68	2.0	2.8
F307D1	C(CM)-UKF307SD1;HS2307	1/8	2 11/16	4.4	6.2
F308D1	C(CM)-UKF308D1;H2308X	3	76	2.7	3.6
F308D1	C(CM)-UKF308ED1;HE2308X	1/8	3	6.0	7.9
F308D1	C(CM)-UKF308D1;HS2308X				
F309D1	C(CM)-UKF309D1;H2309X	3	80	3.5	4.7
F309D1	C(CM)-UKF309AD1;HA2309	1/8	3 3/32	7.7	10
F309D1	C(CM)-UKF309ED1;HE2309X				
F309D1	C(CM)-UKF309SD1;HS2309X				
F310D1	C(CM)-UKF310D1;H2310X	3	88	4.5	5.7
F310D1	C(CM)-UKF310SD1;HS2310	1/8	3 13/32	9.9	13
F310D1	C(CM)-UKF310AD1;HA2310				
F310D1	C(CM)-UKF310ED1;HE2310X				
F311D1	C(CM)-UKF311D1;H2311X	4	92	5.5	7.7
F311D1	C(CM)-UKF311SD1;HS2311	3/32	3 #8	12	17
F311D1	C(CM)-UKF311AD1;HA2311				
F311D1	C(CM)-UKF311ED1;HE2311XY				
F312D1	C(CM)-UKF312D1;H2312X	4	100	6.4	8.6
F312D1	C(CM)-UKF312SD1;HS2312	3/32	3 11/16	14	19
F313D1	C(CM)-UKF313D1;H2313X	4	103	7.7	9.9
F313D1	C(CM)-UKF313AD1;HA2313	3/32	4 1/16	17	22
F313D1	C(CM)-UKF313ED1;HE2313X				
F313D1	C(CM)-UKF313SD1;HS2313X				

Flanged units cast housing Adapter type



Shaft dia.	Unit number ^{1) 2) 3)}	Nominal dimensions								Bolt size	Bearing number
		mm				inch					
mm inch		L	J	A ₂	A ₁	A	N	A ₀	B ₁	mm inch	
65 2 5/8 2 1/2	UKF315D1;H2315X UKF315D1;HA2315 UKF315D1;HE2315X	236 9 3/8	184 7 1/4	39 1 1/2	25 1 1/8	66 2 1/2	25 1 3/8	81.5 3 1/8	73 2.874	M22 8/8	UK315D1;H2315X UK315D1;HA2315 UK315D1;HE2315X
70 2 3/4 2 3/4	UKF316D1;H2316X UKF316D1;HA2316 UKF316D1;HE2316X	250 9 7/8	196 7 7/8	38 1 1/2	27 1 1/8	68 2 3/4	31 1 1/8	84 3 3/8	78 3.071	M27 1	UK316D1;H2316X UK316D1;HA2316 UK316D1;HE2316X
75 2 7/8 3	UKF317D1;H2317X UKF317D1;HA2317X UKF317D1;HE2317X	260 10 1/4	204 8 1/8	44 1 3/4	27 1 1/8	74 2 5/8	31 1 3/8	92 3 5/8	82 3.228	M27 1	UK317D1;H2317X UK317D1;HA2317X UK317D1;HE2317X
80 3 1/8	UKF318D1;H2318X UKF318D1;HA2318X	280 11 1/8	216 8 1/2	44 1 3/4	30 1 1/8	76 3	35 1 3/8	94 3 5/8	86 3.386	M30 1 1/8	UK318D1;H2318X UK318D1;HA2318X
85 3 1/4	UKF319D1;H2319X UKF319D1;HE2319X	290 11 3/8	228 8 1/8	59 2 3/8	30 1 1/8	94 3 1/4	35 1 3/8	111.5 4 3/8	90 3.543	M30 1 1/8	UK319D1;H2319X UK319D1;HE2319X
90 3 5/8 3 1/2	UKF320D1;H2320X UKF320D1;HA2320 UKF320D1;HE2320X	310 12 1/8	242 9 1/2	59 2 3/8	32 1 1/4	94 3 1/2	38 1 1/2	115.5 4 5/8	97 3.819	M33 1 1/4	UK320D1;H2320X UK320D1;HA2320 UK320D1;HE2320X
100	UKF322D1;H2322X	340	266	60	35	96	41	121	105	M36	UK322D1;H2322X
110	UKF324D1;H2324X	370	290	65	40	110	41	130	112	M36	UK324D1;H2324X
115	UKF326D1;H2326	410	320	65	45	115	41	133	121	M36	UK326D1;H2326
125	UKF328D1;H2328	450	350	75	55	125	41	146.5	131	M36	UK328D1;H2328

Remarks: 1) These numbers indicate relubricatable type. If maintenance free type is needed, please order without suffix "D1".

2) Adapter number with suffix "X" means a narrow slot type adapter sleeve.

In this case the lock washer with the straight inner prong should be used.

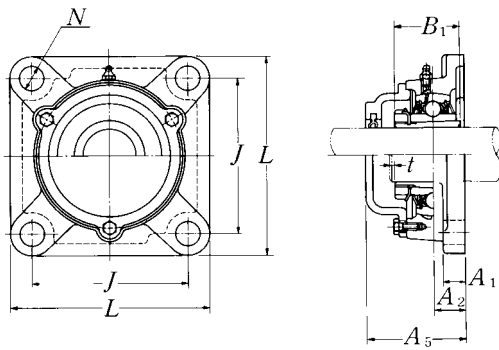
3) For HE2311XY, screw thread pitch different from the standard is applied, because of the thin thread section of sleeve.

To distinguish it, a suffix "Y" is added.

4) If the inch series housing units with dust cover are ordered with a closed end, the suffixes E, S or A are not included.

Example: CM-UKF305D1; HE2305

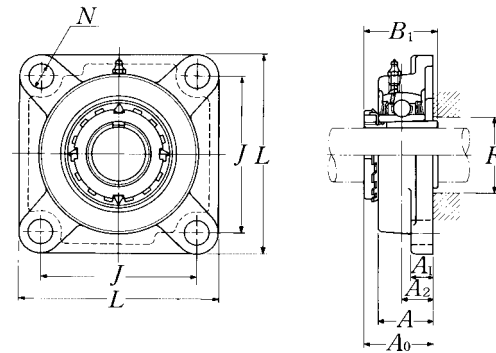
Note: Please refer to page 25 for size of grease fitting.



Cast dust cover type
 Open end: C-UKF...D1
 Closed end: CM-UKF...D1

Housing number	Unit number ⁴⁾ cast dust cover type	Nominal dimensions		Mass of unit	
		mm	inch	kg	lb
		t max.	A ₅	UKF	C(CM)
F315D1	C(CM)-UKF315D1;H2315X	4	114	12	14
F315D1	C(CM)-UKF315AD1;HA2315	3/32	4 1/2	26	31
F315D1	C(CM)-UKF315ED1;HE2315X				
F316D1	C(CM)-UKF316D1;H2316X	4	116	15	19
F316D1	C(CM)-UKF316AD1;HA2316	3/32	4 7/16	33	42
F316D1	C(CM)-UKF316D1;HE2316X				
F317D1	C(CM)-UKF317D1;H2317X	5	129	16	21
F317D1	C(CM)-UKF317AD1;HA2317X	1/8	5 3/32	35	46
F317D1	C(CM)-UKF317ED1;HE2317X				
F318D1	C(CM)-UKF318D1;H2318X	5	129	20	25
F318D1	C(CM)-UKF318AD1;HA2318X	1/8	5 3/32	44	55
F319D1	C(CM)-UKF319D1;H2319X	5	149	22	28
F319D1	C(CM)-UKF319ED1;HE2319X	1/8	5 8/8	49	62
F320D1	C(CM)-UKF320D1;H2320X	5	154	26	33
F320D1	C(CM)-UKF320AD1;HA2320	1/8	6 1/16	57	73
F320D1	C(CM)-UKF320ED1;HE2320X				
F322D1	C(CM)-UKF322D1;H2322X	5	160	38	46
F324D1	C(CM)-UKF324D1;H2324X	5	172	49	60
F326D1	C(CM)-UKF326D1;H2326	6	178	66	79
F328D1	C(CM)-UKF328D1;H2328	6	192	91	108

Flanged units cast housing Adapter type



Shaft dia.	Unit number ^{1) 2) 3)}	Nominal dimensions									Bolt size	Bearing number
		<i>L</i>	<i>J</i>	<i>A</i> ₂	<i>A</i> ₁	<i>A</i>	<i>N</i>	<i>A</i> ₀	<i>B</i> ₁	<i>F</i> min.		
mm inch		mm	inch	mm	mm	mm	mm	mm	mm	mm	mm inch	
20 #4	UKFX05D1;H2305X UKFX05D1;HE2305	108 4 1/4	83 3 1/4	18 3/4	13 1/2	30 1 1/4	12 1/2	39 1 1/2	35 1.378	30 1 1/4	M10 #8	UKX05D1;H2305X UKX05D1;HE2305
25 #8 1	UKFX06D1;H2306X UKFX06D1;HS2306 UKFX06D1;HE2306X	117 4 1/2	92 3 3/8	19 #4	14 7/8	34 1 1/2	16 5/8	41.5 1 5/8	38 1.496	36 1 1/2	M14 1/2	UKX06D1;H2306X UKX06D1;HS2306 UKX06D1;HE2306X
30 1 1/8	UKFX07D1;H2307X UKFX07D1;HS2307	130 5 1/8	102 4 1/4	21 #64	14 7/8	38 1 1/2	16 5/8	45.5 1 7/8	43 1.693	40 1 1/4	M14 1/2	UKX07D1;H2307X UKX07D1;HS2307
35 1 1/4 1 5/8	UKFX08D1;H2308X UKFX08D1;HE2308X UKFX08D1;HS2308X	137 5 1/2	105 4 1/4	22 #64	14 7/8	40 1 1/4	19 #4	47.5 1 7/8	46 1.811	46 1 1/4	M16 5/8	UKX08D1;H2308X UKX08D1;HE2308X UKX08D1;HS2308X
40 1 5/8 1 1/2 1 5/8	UKFX09D1;H2309X UKFX09D1;HA2309 UKFX09D1;HE2309X UKFX09D1;HS2309X	143 5 5/8	111 4 3/8	23 #32	14 7/8	40 1 1/4	19 #4	50 1 1/2	50 1.969	52 2 1/4	M16 5/8	UKX09D1;H2309X UKX09D1;HA2309 UKX09D1;HE2309X UKX09D1;HS2309X
45 1 5/8 1 11/16 1 3/4	UKFX10D1;H2310X UKFX10D1;HS2310 UKFX10D1;HA2310 UKFX10D1;HE2310X	162 6 3/8	130 5 1/8	26 1 1/2	20 #32	44 1 3/4	19 #4	55.5 2 1/4	55 2.165	57 2 1/4	M16 5/8	UKX10D1;H2310X UKX10D1;HS2310 UKX10D1;HA2310 UKX10D1;HE2310X
50 1 5/8 1 11/16 2	UKFX11D1;H2311X UKFX11D1;HS2311 UKFX11D1;HA2311 UKFX11D1;HE2311XY	175 6 5/8	143 5 5/8	29 1 1/4	20 #32	49 1 5/8	19 #4	60 2 3/8	59 2.323	64 2 1/2	M16 5/8	UKX11D1;H2311X UKX11D1;HS2311 UKX11D1;HA2311 UKX11D1;HE2311XY
55 2 1/8	UKFX12D1;H2312X UKFX12D1;HS2312	187 7 3/8	149 5 5/8	34 1 1/2	21 1 1/4	59 2 3/8	19 #4	66 2 1/2	62 2.441	69 2 3/4	M16 5/8	UKX12D1;H2312X UKX12D1;HS2312
60 2 3/8 2 1/4 2 5/8	UKFX13D1;H2313X UKFX13D1;HA2313 UKFX13D1;HE2313X UKFX13D1;HS2313X	187 7 3/8	149 5 5/8	34 1 1/2	21 1 1/4	59 2 3/8	19 #4	70 2 3/4	65 2.559	74 2 5/8	M16 5/8	UKX13D1;H2313X UKX13D1;HA2313 UKX13D1;HE2313X UKX13D1;HS2313X

Remarks: 1) These numbers indicate relubricatable type. If maintenance free type is needed, please order without suffix "D1".

2) Adapter number with suffix "X" means a narrow slot type adapter sleeve.

In this case the lock washer with the straight inner prong should be used.

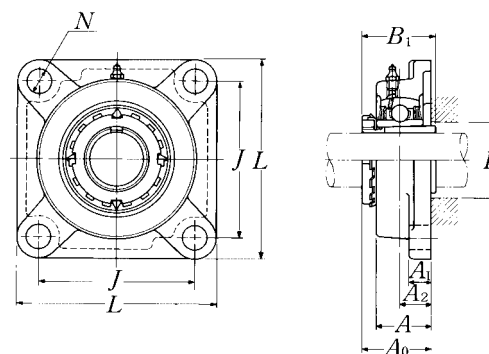
3) For HE2311XY, screw thread pitch different from the standard is applied, because of the thin thread section of sleeve.

To distinguish it, a suffix "Y" is added.

Note: Please refer to page 25 for size of grease fitting.

Housing number	Mass of unit	
	kg	lb
FX05D1	1.0	
FX05D1	2.2	
FX06D1	1.6	
FX06D1	3.5	
FX06D1		
FX07D1	2.0	
FX07D1	4.4	
FX08D1	2.4	
FX08D1	5.3	
FX08D1		
FX09D1	2.5	
FX09D1		
FX09D1	5.5	
FX09D1		
FX10D1	3.8	
FX10D1		
FX10D1	8.4	
FX10D1		
FX11D1	4.6	
FX11D1		
FX11D1	10	
FX11D1		
FX12D1	5.0	
FX12D1	11	
FX13D1	5.0	
FX13D1		
FX13D1	11	
FX13D1		

Flanged units cast housing Adapter type



Shaft dia.	Unit number ^{1) 2) 3)}	Nominal dimensions									Bolt size	Bearing number
		<i>L</i>	<i>J</i>	<i>A</i> ₂	<i>A</i> ₁	<i>A</i>	<i>N</i>	<i>A</i> ₀	<i>B</i> ₁	<i>F</i> min.		
mm inch					mm	inch					mm inch	
65 2 ¹¹ / ₁₆ 2 ¹ / ₂	UKFX15D1;H2315X UKFX15D1;HA2315 UKFX15D1;HE2315X	197 7 ⁷ / ₈	152 5 ⁷ / ₈	40 1 ⁵ / ₈	24 1 ¹ / ₂	68 2 ¹¹ / ₁₆	23 ①(32)	77.5 3 ¹ / ₈	73 2.874	84 3 ³ / ₁₆	M20 #4	UKX15D1;H2315X UKX15D1;HA2315 UKX15D1;HE2315X
70 2 ¹¹ / ₁₆ 2 ³ / ₄	UKFX16D1;H2316X UKFX16D1;HA2316 UKFX16D1;HE2316X	214 8 ⁵ / ₁₆	171 6 ⁵ / ₈	40 1 ⁵ / ₈	24 1 ¹ / ₂	70 2 ³ / ₄	23 ①(32)	80 3 ¹ / ₂	78 3.071	90 3 ¹ / ₂	M20 #4	UKX16D1;H2316X UKX16D1;HA2316 UKX16D1;HE2316X
75 2 ¹ / ₂ 3	UKFX17D1;H2317X UKFX17D1;HA2317X UKFX17D1;HE2317X	214 8 ⁵ / ₁₆	171 6 ⁵ / ₈	40 1 ⁵ / ₈	24 1 ¹ / ₂	70 2 ³ / ₄	23 ①(32)	81.5 3 ¹ / ₈	82 3.228	95 3 ³ / ₈	M20 #4	UKX17D1;H2317X UKX17D1;HA2317X UKX17D1;HE2317X
80 3 ¹ / ₁₆	UKFX18D1;H2318X UKFX18D1;HA2318X	214 8 ⁵ / ₁₆	171 6 ⁵ / ₈	45 1 ³ / ₈	24 1 ¹ / ₂	76 3	23 ①(32)	90 3 ³ / ₈	86 3.386	102 4 ¹ / ₂	M20 #4	UKX18D1;H2318X UKX18D1;HA2318X
90	UKFX20D1;H2320X	268	211	59	31	97	31	107.5	97	112	M27	UKX20D1;H2320X

Remarks: 1) These numbers indicate relubricatable type. If maintenance free type is needed, please order without suffix "D1".

2) Adapter number with suffix "X" means a narrow slot type adapter sleeve.

In this case the lock washer with the straight inner prong should be used.

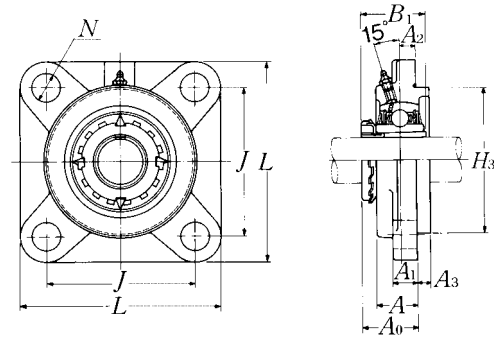
3) For HE2311XY, screw thread pitch different from the standard is applied, because of the thin thread section of sleeve.

To distinguish it, a suffix "Y" is added.

Note: Please refer to page 25 for size of grease fitting.

Housing number	Mass of unit
	kg lb
FX15D1	8.2
FX15D1	18
FX15D1	
FX16D1	10
FX16D1	22
FX16D1	
FX17D1	11
FX17D1	24
FX17D1	
FX18D1	11
FX18D1	24
FX20D1	15

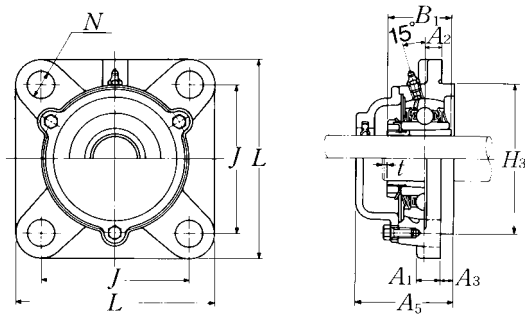
Flanged cartridge units cast housing
Adapter type



Shaft dia. mm inch	Unit number ^{1) 2) 3)}	Nominal dimensions											Bolt size mm inch	Bearing number
		mm					inch							
		L	J	A ₂	N	A ₃	A ₁	A	H ₃	A ₀	B ₁			
20 #4	UKFS305D1;H2305X UKFS305D1;HE2305	110 4.1132	80 3.1332	9 #64	16 #8	7 (.32)	13 .12	29 1(.64)	80 3.1496	37 1#(.64)	35 1.378	M14 .12	UK305D1;H2305X UK305D1;HE2305	
25 #8 1	UKFS306D1;H2306X UKFS306D1;HS2306 UKFS306D1;HE2306X	125 4#(.32)	95 3\$&.64	10 #64	16 #8	8 %76	15 !(.32)	32 11#&.64	90 3.5433	40.5 1!(.32)	38 1.496	M14 .12	UK306D1;H2306X UK306D1;HS2306 UK306D1;HE2306X	
30 1!8	UKFS307D1;H2307X UKFS307D1;HS2307	135 5%76	100 3!%76	11 &76	19 #4	9 #64	16 %8	36 11#32	100 3.9370	45.5 1%64	43 1.693	M16 %8	UK307D1;H2307X UK307D1;HS2307	
35 1!4 1#8	UKFS308D1;H2308X UKFS308D1;HE2308X UKFS308D1;HS2308X	150 5#(.32)	112 4!#32	13 ##64	19 #4	10 #64	17 #32	40 1(76)	115 4.5276	50 1#132	46 1.811	M16 %8	UK308D1;H2308X UK308D1;HE2308X UK308D1;HS2308X	
40 1&76 1!2 1%8	UKFS309D1;H2309X UKFS309D1;HA2309 UKFS309D1;HE2309X UKFS309D1;HS2309X	160 6%76	125 4%64	14 #64	19 #4	11 &76	18 #32	44 1\$&.64	125 4.9213	54.5 2(.64)	50 1.969	M16 %8	UK309D1;H2309X UK309D1;HA2309 UK309D1;HE2309X UK309D1;HS2309X	
45 1%8 1!!76 1#4	UKFS310D1;H2310X UKFS310D1;HS2310 UKFS310D1;HA2310 UKFS310D1;HE2310X	175 6&8	132 5!#64	16 %8	23 #32	12 !32	19 #4	48 1%64	140 5.5118	60.5 2#8	55 2.165	M20 #4	UK310D1;H2310X UK310D1;HS2310 UK310D1;HA2310 UK310D1;HE2310X	
50 1&8 1!%76 2	UKFS311D1;H2311X UKFS311D1;HS2311 UKFS311D1;HA2311 UKFS311D1;HE2311XY	185 7(.32)	140 5##64	17 \$#64	23 #32	13 ##64	20 #32	52 2#64	150 5.9055	64 2##64	59 2.323	M20 #4	UK311D1;H2311X UK311D1;HS2311 UK311D1;HA2311 UK311D1;HE2311XY	
55 2!8	UKFS312D1;H2312X UKFS312D1;HS2312	195 7!!76	150 5#(.32)	19 #4	23 #32	14 #64	22 &8	56 2!#64	160 6.2992	69.5 2\$&.64	62 2.441	M20 #4	UK312D1;H2312X UK312D1;HS2312	
60 2#76 2!4 2#8	UKFS313D1;H2313X UKFS313D1;HA2313 UKFS313D1;HE2313X UKFS313D1;HS2313X	208 8#76	166 6!&32	15 !(.32)	23 #32	18 \$#64	22 &8	58 2(.32)	175 6.8898	71.5 2!#76	65 2.559	M20 #4	UK313D1;H2313X UK313D1;HA2313 UK313D1;HE2313X UK313D1;HS2313X	

Remarks: 1) These numbers indicate relubricatable type. If maintenance free type is needed, please order without suffix "D1".
 2) Adapter number with suffix "X" means a narrow slot type adapter sleeve.
 In this case the lock washer with the straight inner prong should be used.
 3) For HE2311XY, screw thread pitch different from the standard is applied, because of the thin thread section of sleeve.
 To distinguish it, a suffix "Y" is added.
 4) If the inch series housing units with dust cover are ordered with a closed end, the suffixes E, S or A are not included.
 Example: CM-UKFS305D1; HE2305

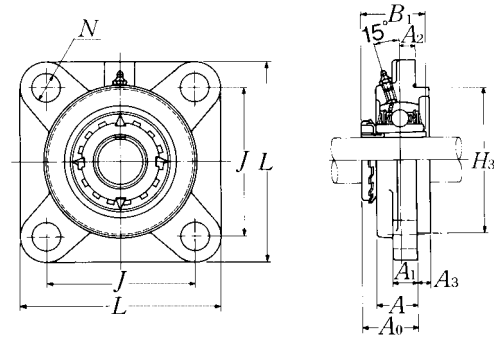
Note: Please refer to page 25 for size of grease fitting.



Cast dust cover type
 Open end: **C-UKFS...D1**
 Closed end: **CM-UKFS...D1**

Housing number	Unit number ⁴⁾ cast dust cover type	Nominal dimensions		Mass of unit	
		mm	inch	kg	lb
		t max.	A ₅	UKFS	C(CM)
FS305D1	C(CM)-UKFS305D1;H2305X	2	56	1.3	1.8
FS305D1	C(CM)-UKFS305ED1;HE2305	1/4	2 1/4	2.9	4.0
FS306D1	C(CM)-UKFS306D1;H2306X	2	60	1.9	2.5
FS306D1	C(CM)-UKFS306SD1;HS2306	1/4	2 3/8	4.2	5.5
FS306D1	C(CM)-UKFS306ED1;HE2306X				
FS307D1	C(CM)-UKFS307D1;H2307X	3	67	2.4	3.1
FS307D1	C(CM)-UKFS307SD1;HS2307	1/8	2 5/8	5.3	6.8
FS308D1	C(CM)-UKFS308D1;H2308X	3	76	3.3	4.2
FS308D1	C(CM)-UKFS308ED1;HE2308X	1/8	2 7/8	7.3	9.3
FS308D1	C(CM)-UKFS308D1;HS2308X				
FS309D1	C(CM)-UKFS309D1;H2309X	3	80	4.1	5.2
FS309D1	C(CM)-UKFS309AD1;HA2309				
FS309D1	C(CM)-UKFS309ED1;HE2309X	1/8	3 1/2	9.0	11
FS309D1	C(CM)-UKFS309SD1;HS2309X				
FS310D1	C(CM)-UKFS310D1;H2310X	3	88	5.3	6.8
FS310D1	C(CM)-UKFS310SD1;HS2310				
FS310D1	C(CM)-UKFS310AD1;HA2310	1/8	3 1/2	12	15
FS310D1	C(CM)-UKFS310ED1;HE2310X				
FS311D1	C(CM)-UKFS311D1;H2311X	4	93	6.2	8.3
FS311D1	C(CM)-UKFS311SD1;HS2311				
FS311D1	C(CM)-UKFS311AD1;HA2311	3/32	3 1/8	14	18
FS311D1	C(CM)-UKFS311ED1;HE2311XY				
FS312D1	C(CM)-UKFS312D1;H2312X	4	100	7.1	9.0
FS312D1	C(CM)-UKFS312SD1;HS2312	3/32	3 7/8	16	20
FS313D1	C(CM)-UKFS313D1;H2313X	4	103	8.7	11
FS313D1	C(CM)-UKFS313AD1;HA2313				
FS313D1	C(CM)-UKFS313ED1;HE2313X	3/32	4 1/8	19	24
FS313D1	C(CM)-UKFS313SD1;HS2313X				

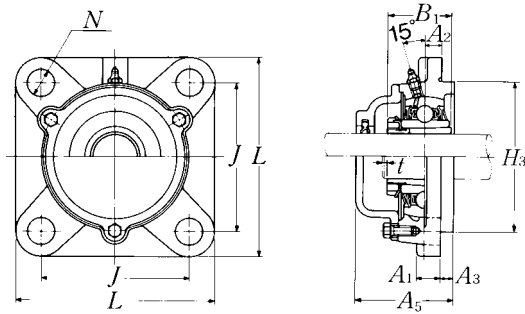
Flanged cartridge units cast housing
Adapter type



Shaft dia.	Unit number ^{1) 2) 3)}	Nominal dimensions											Bolt size	Bearing number
		mm					inch							
		L	J	A ₂	N	A ₃	A ₁	A	H ₃	A ₀	B ₁			
65 2 1/8 2 1/2	UKFS315D1;H2315X UKFS315D1;HA2315 UKFS315D1;HE2315X	236	184	21	25	18	25	66	200	81.5	73	M22	UK315D1;H2315X UK315D1;HA2315 UK315D1;HE2315X	
70 2 7/8 2 3/4	UKFS316D1;H2316X UKFS316D1;HA2316 UKFS316D1;HE2316X	250	196	18	31	20	27	68	210	84	78	M27	UK316D1;H2316X UK316D1;HA2316 UK316D1;HE2316X	
75 2 7/8 3	UKFS317D1;H2317X UKFS317D1;HA2317X UKFS317D1;HE2317X	260	204	24	31	20	27	74	220	92	82	M27	UK317D1;H2317X UK317D1;HA2317X UK317D1;HE2317X	
80 3 1/8	UKFS318D1;H2318X UKFS318D1;HA2318X	280	216	24	35	20	30	76	240	94	86	M30	UK318D1;H2318X UK318D1;HA2318X	
85 3 1/4	UKFS319D1;H2319X UKFS319D1;HE2319X	290	228	39	35	20	30	94	250	111.5	90	M30	UK319D1;H2319X UK319D1;HE2319X	
90 3 7/8 3 1/2	UKFS320D1;H2320X UKFS320D1;HA2320 UKFS320D1;HE2320X	310	242	39	38	20	32	94	260	115.5	97	M33	UK320D1;H2320X UK320D1;HA2320 UK320D1;HE2320X	
100	UKFS322D1;H2322X	340	266	35	41	25	35	96	300	121	105	M36	UK322D1;H2322X	
110	UKFS324D1;H2324X	370	290	35	41	30	40	110	330	130	112	M36	UK324D1;H2324X	
115	UKFS326D1;H2326	410	320	35	41	30	45	115	360	133	121	M36	UK326D1;H2326	
125	UKFS328D1;H2328	450	350	45	41	30	55	125	400	146.5	131	M36	UK328D1;H2328	

- Remarks: 1) These numbers indicate relubricatable type. If maintenance free type is needed, please order without suffix "D1".
 2) Adapter number with suffix "X" means a narrow slot type adapter sleeve.
 In this case the lock washer with the straight inner prong should be used.
 3) For HE2311XY, screw thread pitch different from the standard is applied, because of the thin thread section of sleeve.
 To distinguish it, a suffix "Y" is added.
 4) If the inch series housing units with dust cover are ordered with a closed end, the suffixes E, S or A are not included.
 Example: CM-UKFS305D1; HE2305

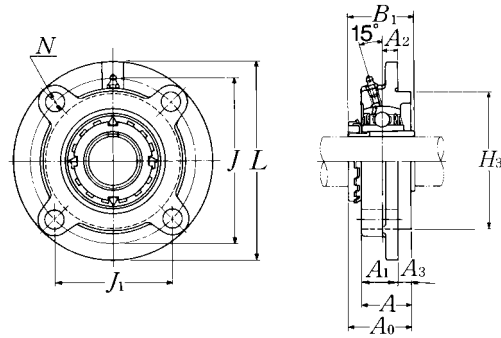
Note: Please refer to page 25 for size of grease fitting.



Cast dust cover type
 Open end: **C-UKFS...D1**
 Closed end: **CM-UKFS...D1**

Housing number	Unit number ⁴⁾ cast dust cover type	Nominal dimensions		Mass of unit	
		mm	inch	kg	lb
		t max.	A ₅	UKFS	C(CM)
FS315D1	C(CM)-UKFS315D1;H2315X	4	114	13	16
FS315D1	C(CM)-UKFS315AD1;HA2315	3/32	4#1/64	29	35
FS315D1	C(CM)-UKFS315ED1;HE2315X				
FS316D1	C(CM)-UKFS316D1;H2316X	4	116	15	18
FS316D1	C(CM)-UKFS316AD1;HA2316	3/32	4(1/6)	33	40
FS316D1	C(CM)-UKFS316D1;HE2316X				
FS317D1	C(CM)-UKFS317D1;H2317X	5	129	17	22
FS317D1	C(CM)-UKFS317AD1;HA2317X	1/64	5/64	37	49
FS317D1	C(CM)-UKFS317ED1;HE2317X				
FS318D1	C(CM)-UKFS318D1;H2318X	5	129	21	26
FS318D1	C(CM)-UKFS318AD1;HA2318X	1/64	5/64	46	57
FS319D1	C(CM)-UKFS319D1;H2319X	5	149	25	31
FS319D1	C(CM)-UKFS319ED1;HE2319X	1/64	5/64	55	68
FS320D1	C(CM)-UKFS320D1;H2320X	5	154	30	35
FS320D1	C(CM)-UKFS320AD1;HA2320	1/64	6(1/6)	66	77
FS320D1	C(CM)-UKFS320ED1;HE2320X				
FS322D1	C(CM)-UKFS322D1;H2322X	5	160	39	48
FS324D1	C(CM)-UKFS324D1;H2324X	5	172	53	63
FS326D1	C(CM)-UKFS326D1;H2326	6	178	61	85
FS328D1	C(CM)-UKFS328D1;H2328	6	192	100	120

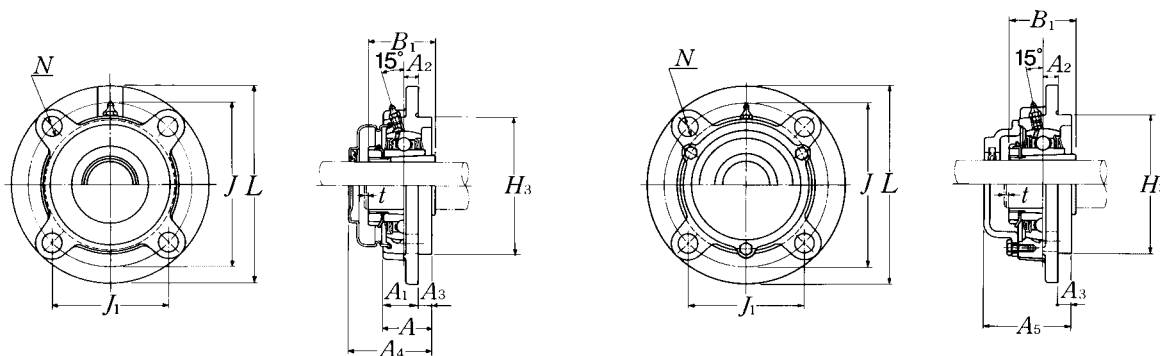
Flanged cartridge units cast housing
Adapter type



Shaft dia. mm inch	Unit number ^{1) 2) 3)}	Nominal dimensions											Bolt size mm inch	Bearing number
		mm					inch							
		L	J	J ₁	A ₂	N	A ₃	A ₁	A	H ₃	A ₀	B ₁		
20 #4	UKFC205D1;H2305X UKFC205D1;HE2305	115 4 1/2	90 3 5/8	63.6 2 1/2	10 3/8	12 1 1/4	6 1/4	21 1 1/8	27 1 1/4	70 2.75	35.5 1 3/8	35 1.378	M10 #8	UK205D1;H2305X UK205D1;HE2305
25 #8 1	UKFC206D1;H2306X UKFC206D1;HS2306 UKFC206D1;HE2306X	125 4 1/2	100 3 1/8	70.7 2 3/8	10 3/8	12 1 1/4	8 5/8	23 1 1/8	31 1 1/4	80 3.1496	39 1 1/2	38 1.496	M10 #8	UK206D1;H2306X UK206D1;HS2306 UK206D1;HE2306X
30 1 1/8	UKFC207D1;H2307X UKFC207D1;HS2307	135 5 1/8	110 4 1/8	77.8 3 1/8	11 7/8	14 1 1/4	8 5/8	26 1 1/8	34 1 1/4	90 3.5433	42.5 1 7/8	43 1.693	M12 #10	UK207D1;H2307X UK207D1;HS2307
35 1 1/4 1 5/8	UKFC208D1;H2308X UKFC208D1;HE2308X UKFC208D1;HS2308X	145 5 3/8	120 4 3/4	84.8 3 1/4	11 7/8	14 1 1/4	10 3/4	26 1 1/8	36 1 3/8	100 3.9370	46.5 1 7/8	46 1.811	M12 #10	UK208D1;H2308X UK208D1;HE2308X UK208D1;HS2308X
40 1 5/8 1 1/2 1 3/8	UKFC209D1;H2309X UKFC209D1;HA2309 UKFC209D1;HE2309X UKFC209D1;HS2309X	160 6 3/8	132 5 1/8	93.3 3 5/8	10 3/8	16 1 1/4	12 3/4	26 1 1/8	38 1 1/2	105 4.1339	48.5 1 7/8	50 1.969	M14 #12	UK209D1;H2309X UK209D1;HA2309 UK209D1;HE2309X UK209D1;HS2309X
45 1 3/8 1 1/2 1 3/4	UKFC210D1;H2310X UKFC210D1;HS2310 UKFC210D1;HA2310 UKFC210D1;HE2310X	165 6 1/2	138 5 1/2	97.6 3 7/8	10 3/8	16 1 1/4	12 3/4	28 1 1/8	40 1 5/8	110 4.3307	50 1 7/8	55 2.165	M14 #12	UK210D1;H2310X UK210D1;HS2310 UK210D1;HA2310 UK210D1;HE2310X
50 1 3/4 1 1/2 2	UKFC211D1;H2311X UKFC211D1;HS2311 UKFC211D1;HA2311 UKFC211D1;HE2311XY	185 7 1/2	150 5 1/2	106.1 4 1/8	13 1 1/4	19 1 1/2	12 3/4	31 1 1/8	43 1 1/2	125 4.9213	54.5 2 1/8	59 2.323	M16 #12	UK211D1;H2311X UK211D1;HS2311 UK211D1;HA2311 UK211D1;HE2311XY
55 2 1/8	UKFC212D1;H2312X UKFC212D1;HS2312	195 7 1/2	160 6 1/8	113.1 4 1/4	17 1 1/4	19 1 1/2	12 3/4	36 1 3/8	48 1 7/8	135 5.3150	61 2 1/4	62 2.441	M16 #12	UK212D1;H2312X UK212D1;HS2312
60 2 3/8 2 1/4 2 5/8	UKFC213D1;H2313X UKFC213D1;HA2313 UKFC213D1;HE2313X UKFC213D1;HS2313X	205 8 1/8	170 6 1/2	120.2 4 3/4	16 5/8	19 1 1/4	14 1 1/8	36 1 3/8	50 1 7/8	145 5.7087	64 2 5/8	65 2.559	M16 #12	UK213D1;H2313X UK213D1;HA2313 UK213D1;HE2313X UK213D1;HS2313X

Remarks: 1) These numbers indicate relubricatable type. If maintenance free type is needed, please order without suffix "D1".
 2) Adapter number with suffix "X" means a narrow slot type adapter sleeve.
 In this case the lock washer with the straight inner prong should be used.
 3) For HE2311XY, screw thread pitch different from the standard is applied, because of the thin thread section of sleeve.
 To distinguish it, a suffix "Y" is added.
 4) If the inch series housing units with dust cover are ordered with a closed end, the suffixes E, S or A are not included.
 Example: SM-UKFC205D1; HE2305

Note: Please refer to page 25 for size of grease fitting.

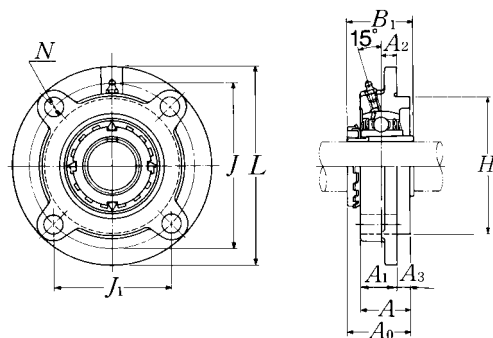


Pressed steel dust cover type
 Open end: **S-UKFC...D1**
 Closed end: **SM-UKFC...D1**

Cast dust cover type
 Open end: **C-UKFC...D1**
 Closed end: **CM-UKFC...D1**

Housing number	Unit number ⁴⁾ pressed steel dust cover type	Unit number ⁴⁾ cast dust cover type	Nominal dimensions			Mass of unit		
			mm	inch		kg		lb
			t max.	A ₄	A ₅	UKFC	S(SM)	C(CM)
FC205D1	S(SM)-UKFC205D1;H2305X	C(CM)-UKFC205D1;H2305X	2	44.5	51	1.0	1.1	1.4
FC205D1	S(SM)-UKFC205ED1;HE2305	C(CM)-UKFC205ED1;HE2305	3/64	1#4	2	2.2	2.4	3.1
FC206D1	S(SM)-UKFC206D1;H2306X	C(CM)-UKFC206D1;H2306X	2	49	56	1.4	1.4	1.8
FC206D1	S(SM)-UKFC206SD1;HS2306	C(CM)-UKFC206SD1;HS2306	3/64	1#(3/64)	21#7/6	3.1	3.1	4.0
FC206D1	S(SM)-UKFC206ED1;HE2306X	C(CM)-UKFC206ED1;HE2306X						
FC207D1	S(SM)-UKFC207D1;H2307X	C(CM)-UKFC207D1;H2307X	3	55	59	1.7	1.8	2.3
FC207D1	S(SM)-UKFC207SD1;HS2307	C(CM)-UKFC207SD1;HS2307	1/8	21#(3/64)	2#(1/64)	3.7	4.0	5.1
FC208D1	S(SM)-UKFC208D1;H2308X	C(CM)-UKFC208D1;H2308X	3	62	66	2.1	2.2	2.9
FC208D1	S(SM)-UKFC208ED1;HE2308X	C(CM)-UKFC208ED1;HE2308X	1/8	2#(7/64)	21#(3/32)	4.6	4.9	6.4
FC208D1	S(SM)-UKFC208D1;HS2308X	C(CM)-UKFC208D1;HS2308X						
FC209D1	S(SM)-UKFC209D1;H2309X	C(CM)-UKFC209D1;H2309X	3	63	70	2.8	2.9	4.0
FC209D1	S(SM)-UKFC209AD1;HA2309	C(CM)-UKFC209AD1;HA2309						
FC209D1	S(SM)-UKFC209ED1;HE2309X	C(CM)-UKFC209ED1;HE2309X	1/8	2#(1/64)	2#4	6.2	6.4	8.8
FC209D1	S(SM)-UKFC209SD1;HS2309X	C(CM)-UKFC209SD1;HS2309X						
FC210D1	S(SM)-UKFC210D1;H2310X	C(CM)-UKFC210D1;H2310X	3	65.5	72	3.3	3.4	4.4
FC210D1	S(SM)-UKFC210SD1;HS2310	C(CM)-UKFC210SD1;HS2310						
FC210D1	S(SM)-UKFC210AD1;HA2310	C(CM)-UKFC210AD1;HA2310	1/8	2#(8/64)	2#(1/64)	7.3	7.5	9.7
FC210D1	S(SM)-UKFC210ED1;HE2310X	C(CM)-UKFC210ED1;HE2310X						
FC211D1	S(SM)-UKFC211D1;H2311X	C(CM)-UKFC211D1;H2311X	4	71	75	4.4	4.6	5.8
FC211D1	S(SM)-UKFC211SD1;HS2311	C(CM)-UKFC211SD1;HS2311						
FC211D1	S(SM)-UKFC211AD1;HA2311	C(CM)-UKFC211AD1;HA2311	3/32	2#(1/64)	2#(1/64)	9.7	10	13
FC211D1	S(SM)-UKFC211ED1;HE2311XY	C(CM)-UKFC211ED1;HE2311XY						
FC212D1	S(SM)-UKFC212D1;H2312X	C(CM)-UKFC212D1;H2312X	4	80	86	5.4	5.6	6.6
FC212D1	S(SM)-UKFC212SD1;HS2312	C(CM)-UKFC212SD1;HS2312	3/32	3#(3/32)	3#(1/64)	12	12	15
FC213D1	S(SM)-UKFC213D1;H2313X	C(CM)-UKFC213D1;H2313X	4	83.5	90	6.1	6.3	7.8
FC213D1	S(SM)-UKFC213AD1;HA2313	C(CM)-UKFC213AD1;HA2313						
FC213D1	S(SM)-UKFC213ED1;HE2313X	C(CM)-UKFC213ED1;HE2313X	3/32	3#(3/32)	3#(1/64)	13	14	17
FC213D1	S(SM)-UKFC213SD1;HS2313X	C(CM)-UKFC213SD1;HS2313X						

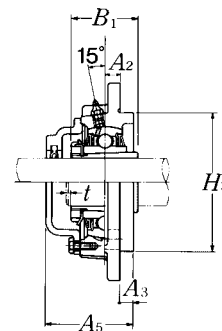
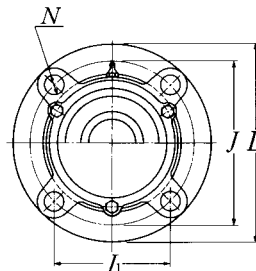
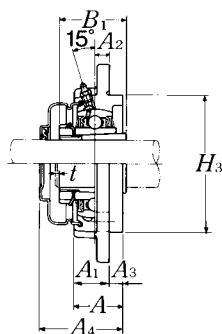
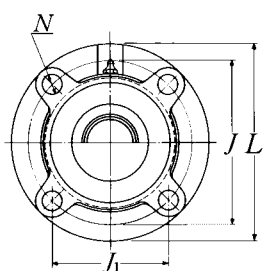
Flanged cartridge units cast housing
Adapter type



Shaft dia.	Unit number ^{1) 2) 3)}	Nominal dimensions											Bolt size	Bearing number
		mm						inch						
		L	J	J ₁	A ₂	N	A ₃	A ₁	A	H ₃	A ₀	B ₁		
65 2 1/8 2 1/2	UKFC215D1;H2315X UKFC215D1;HA2315 UKFC215D1;HE2315X	220	184	130.1	18	19	16	40	56	160	71	73	M16	UK215D1;H2315X UK215D1;HA2315 UK215D1;HE2315X
70 2 3/8 2 7/8	UKFC216D1;H2316X UKFC216D1;HA2316 UKFC216D1;HE2316X	240	200	141.4	18	23	16	42	58	170	73.5	78	M20	UK216D1;H2316X UK216D1;HA2316 UK216D1;HE2316X
75 2 7/8 3	UKFC217D1;H2317X UKFC217D1;HA2317X UKFC217D1;HE2317X	250	208	147.1	18	23	18	45	63	180	77	82	M20	UK217D1;H2317X UK217D1;HA2317X UK217D1;HE2317X
80 3 1/8	UKFC218D1;H2318X UKFC218D1;HA2318X	265	220	155.5	22	23	18	50	68	190	81.5	86	M20	UK218D1;H2318X UK218D1;HA2318X

- Remarks: 1) These numbers indicate relubricatable type. If maintenance free type is needed, please order without suffix "D1".
 2) Adapter number with suffix "X" means a narrow slot type adapter sleeve.
 In this case the lock washer with the straight inner prong should be used.
 3) For HE2311XY, screw thread pitch different from the standard is applied, because of the thin thread section of sleeve.
 To distinguish it, a suffix "Y" is added.
 4) If the inch series housing units with dust cover are ordered with a closed end, the suffixes E, S or A are not included.
 Example: SM-UKFC205D1; HE2305

Note: Please refer to page 25 for size of grease fitting.

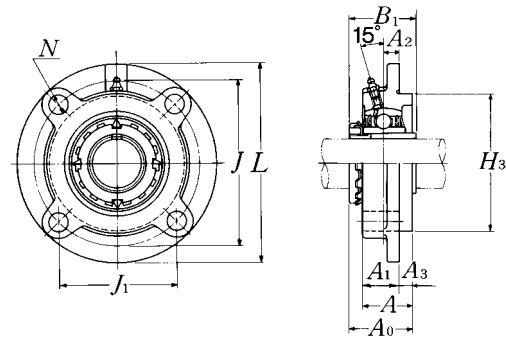


Pressed steel dust cover type
 Open end: **S-UKFC...D1**
 Closed end: **SM-UKFC...D1**

Cast dust cover type
 Open end: **C-UKFC...D1**
 Closed end: **CM-UKFC...D1**

Housing number	Unit number ⁴⁾ pressed steel dust cover type	Unit number ⁴⁾ cast dust cover type	Nominal dimensions			Mass of unit		
			mm	inch		kg		lb
			t max.	A ₄	A ₅	UKFC	S(SM)	C(CM)
FC215D1	-	C(CM)-UKFC215D1;H2315X	4	-	102	8.0	-	10
FC215D1	-	C(CM)-UKFC215AD1;HA2315	3/32	-	4 1/64	18	-	22
FC215D1	-	C(CM)-UKFC215ED1;HE2315X						
FC216D1	-	C(CM)-UKFC216D1;H2316X	4	-	106	9.7	-	16
FC216D1	-	C(CM)-UKFC216AD1;HA2316	3/32	-	4 1/64	21	-	26
FC216D1	-	C(CM)-UKFC216D1;HE2316X						
FC217D1	-	C(CM)-UKFC217D1;H2317X	5	-	114	11	-	14
FC217D1	-	C(CM)-UKFC217AD1;HA2317X	1/8	-	4 1/64	24	-	31
FC217D1	-	C(CM)-UKFC217ED1;HE2317X						
FC218D1	-	C(CM)-UKFC218D1;H2318X	5	-	122	14	-	17
FC218D1	-	C(CM)-UKFC218AD1;HA2318X	1/8	-	4 1/64	31	-	37

Flanged cartridge units cast housing
Adapter type



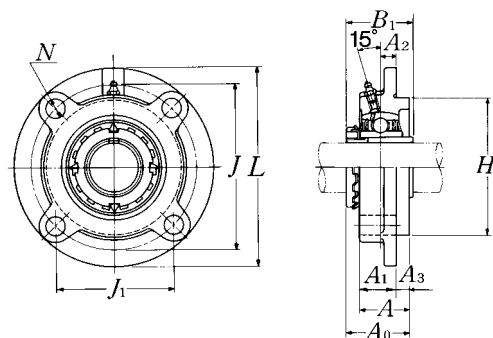
Shaft dia. mm inch	Unit number ^{1) 2) 3)}	Nominal dimensions											Bolt size mm inch
		L	J	J ₁	A ₂	N	A ₃	A ₁	A	H ₃	A ₀	B ₁	
20 #4	UKFCX05D1;H2305X UKFCX05D1;HE2305	111 4#8	92 3#8	65 2(76	10 #64	9.5 #8	6 1#	24 1#76	30 1#76	76 2.9921	37 1#64	35 1.378	M8 #76
25 #8 1	UKFCX06D1;H2306X UKFCX06D1;HS2306 UKFCX06D1;HE2306X	127 5	105 4(64	74.2 2%(64	8 %76	12 1%32	9.5 #8	22.5 #8	32 11&64	85 3.3465	40 1#&64	38 1.496	M10 #8
30 1#8	UKFCX07D1;H2307X UKFCX07D1;HS2307	133 5!4	111 4#8	78.5 3#32	9 #64	12 1%32	11 &76	26 1!32	37 1#64	92 3.6220	44.5 1#4	43 1.693	M10 #8
35 11#4 1#8	UKFCX08D1;H2308X UKFCX08D1;HE2308X UKFCX08D1;HS2308X	133 5!4	111 4#8	78.5 3#32	9 #64	12 1%32	11 &76	26 1!32	37 1#64	92 3.6220	45.5 1%64	46 1.811	M10 #8
40 1&76 1!2 1#8	UKFCX09D1;H2309X UKFCX09D1;HA2309 UKFCX09D1;HE2309X UKFCX09D1;HS2309X	155 6#32	130 5!8	91.9 3#8	8 %76	14 #64	12 1%32	25 #132	37 1#64	108 4.2520	47 1#&32	50 1.969	M12 &76
45 1#8 1!!76 1#4	UKFCX10D1;H2310X UKFCX10D1;HS2310 UKFCX10D1;HA2310 UKFCX10D1;HE2310X	162 6#8	136 5#64	96.2 3#32	7 (32	14 #64	16 %8	25 #132	41 1#(64	118 4.6457	52.5 2!76	55 2.165	M12 &76
50 1&8 1!%76 2	UKFCX11D1;H2311X UKFCX11D1;HS2311 UKFCX11D1;HA2311 UKFCX11D1;HE2311XY	180 7#32	152 5^#64	107.5 4!%64	4 %32	16 %8	22 %64	26 1!32	48 1%&64	127 5.0000	57 2!4	59 2.323	M14 !2
55 2!8	UKFCX12D1;H2312X UKFCX12D1;HS2312	194 7#8	165 6!2	116.7 4!(32	11 &76	16 %8	20 #32	33 1%76	53 2%64	140 5.5118	64 2##64	62 2.441	M14 !2
60 2#76 2!4 2#8	UKFCX13D1;H2313X UKFCX13D1;HA2313 UKFCX13D1;HE2313X UKFCX13D1;HS2313X	194 7#8	165 6!2	116.7 4!(32	11 &76	16 %8	20 #32	33 1%76	53 2%64	140 5.5118	66 2!(32	65 2.559	M14 !2

Remarks: 1) These numbers indicate relubricatable type. If maintenance free type is needed, please order without suffix "D1".
 2) Adapter number with suffix "X" means a narrow slot type adapter sleeve.
 In this case the lock washer with the straight inner prong should be used.
 3) For HE2311XY, screw thread pitch different from the standard is applied, because of the thin thread section of sleeve.
 To distinguish it, a suffix "Y" is added.

Note: Please refer to page 25 for size of grease fitting.

Bearing number	Housing number	Mass of unit	
		kg	lb
UKX05D1;H2305X	FCX05D1	1.1	
UKX05D1;HE2305	FCX05D1	2.4	
UKX06D1;H2306X	FCX06D1	1.5	
UKX06D1;HS2306	FCX06D1	3.3	
UKX06D1;HE2306X	FCX06D1		
UKX07D1;H2307X	FCX07D1	1.9	
UKX07D1;HS2307	FCX07D1	4.2	
UKX08D1;H2308X	FCX08D1	1.9	
UKX08D1;HE2308X	FCX08D1	4.2	
UKX08D1;HS2308X	FCX08D1		
UKX09D1;H2309X	FCX09D1	2.6	
UKX09D1;HA2309	FCX09D1		
UKX09D1;HE2309X	FCX09D1	5.7	
UKX09D1;HS2309X	FCX09D1		
UKX10D1;H2310X	FCX10D1	3.1	
UKX10D1;HS2310	FCX10D1		
UKX10D1;HA2310	FCX10D1	6.8	
UKX10D1;HE2310X	FCX10D1		
UKX11D1;H2311X	FCX11D1	4.2	
UKX11D1;HS2311	FCX11D1		
UKX11D1;HA2311	FCX11D1	9.3	
UKX11D1;HE2311XY	FCX11D1		
UKX12D1;H2312X	FCX12D1	5.5	
UKX12D1;HS2312	FCX12D1	12	
UKX13D1;H2313X	FCX13D1	5.4	
UKX13D1;HA2313	FCX13D1		
UKX13D1;HE2313X	FCX13D1	12	
UKX15D1;HS2313X	FCX13D1		

Flanged cartridge units cast housing
Adapter type



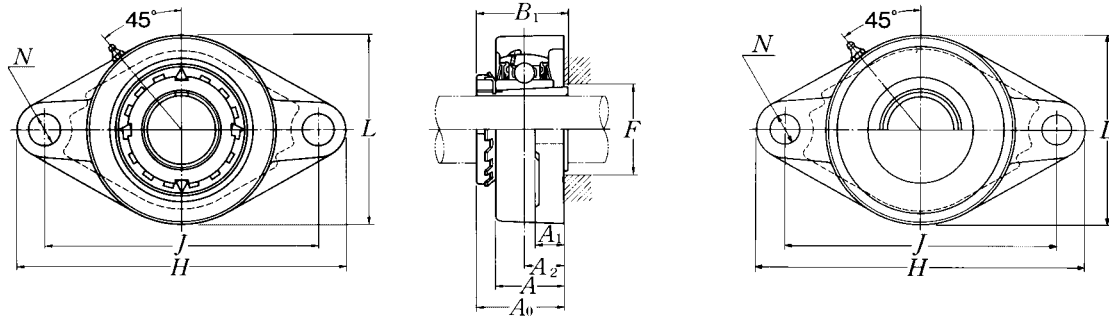
Shaft dia.	Unit number ^{1) 2) 3)}	Nominal dimensions											Bolt size
		mm					inch						
		L	J	J ₁	A ₂	N	A ₃	A ₁	A	H ₃	A ₀	B ₁	
65 2 1/8 2 1/2	UKFCX15D1;H2315X UKFCX15D1;HA2315 UKFCX15D1;HE2315X	222 8 7/8	190 7 1/2	134.3 5 3/8	12 1/2	19 3/4	22 7/8	35 1 3/8	57 2 1/4	164 6.4567	71.5 2 7/8	73 2.874	M16 3/8
70 2 3/8 2 7/8	UKFCX16D1;H2316X UKFCX16D1;HA2316 UKFCX16D1;HE2316X	260 10 1/4	219 8 5/8	154.8 6 1/8	10 3/4	23 1 1/8	25 1 1/4	36 1 1/2	61 2 3/8	186 7.3228	75 2 7/8	78 3.071	M20 3/4
75 2 7/8 3	UKFCX17D1;H2317X UKFCX17D1;HA2317X UKFCX17D1;HE2317X	260 10 1/4	219 8 5/8	154.8 6 1/8	10 3/4	23 1 1/8	25 1 1/4	36 1 1/2	61 2 3/8	186 7.3228	76.5 3 1/8	82 3.228	M20 3/4
80 3 1/8	UKFCX18D1;H2318X UKFCX18D1;HA2318X	260 10 1/4	219 8 5/8	154.8 6 1/8	12 1/2	23 1 1/8	28 1 1/4	43 1 7/8	71 2 7/8	186 7.3228	85 3 1/4	86 3.386	M20 3/4
90	UKFCX20D1;H2320X	276	238	168.3	22	23	28	66	94	206	99	97	M20

Remarks: 1) These numbers indicate relubricatable type. If maintenance free type is needed, please order without suffix "D1".
 2) Adapter number with suffix "X" means a narrow slot type adapter sleeve.
 In this case the lock washer with the straight inner prong should be used.
 3) For HE2311XY, screw thread pitch different from the standard is applied, because of the thin thread section of sleeve.
 To distinguish it, a suffix "Y" is added.

Note: Please refer to page 25 for size of grease fitting.

Bearing number	Housing number	Mass of unit	
		kg	lb
UKX15D1;H2315X	FCX15D1	7.8	
UKX15D1;HA2315	FCX15D1	17	
UKX15D1;HE2315X	FCX15D1		
UKX16D1;H2316X	FCX16D1	11	
UKX16D1;HA2316	FCX16D1	24	
UKX16D1;HE2316X	FCX16D1		
UKX17D1;H2317X	FCX17D1	12	
UKX17D1;HA2317X	FCX17D1	26	
UKX17D1;HE2317X	FCX17D1		
UKX18D1;H2318X	FCX18D1	12	
UKX18D1;HA2318X	FCX18D1	26	
UKFX20D1;H2320X	FCX20D1	15	

Flanged units cast housing
Adapter type



Pressed steel dust cover type

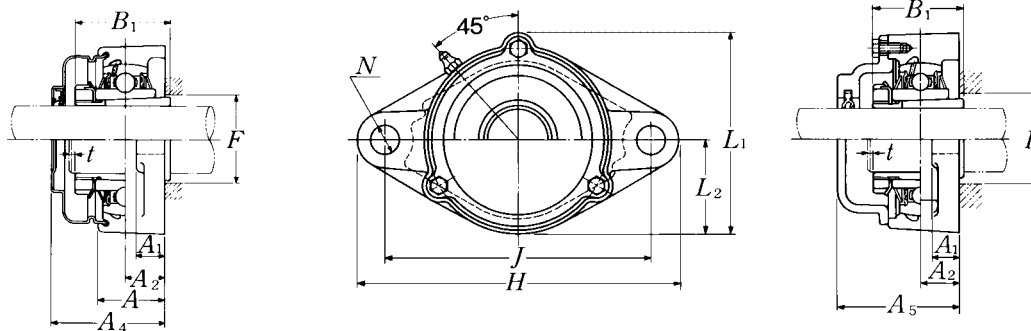
Open end: **S-UKFL...D1**

Closed end: **SM-UKFL...D1**

Shaft dia.	Unit number ^{1) 2) 3)}	Nominal dimensions										Bolt size	Bearing number
		mm		inch		mm		inch		mm			
mm inch		H	J	A ₂	A ₁	A	N	L	A ₀	B ₁	F min.	mm inch	
20 #4	UKFL205D1;H2305X UKFL205D1;HE2305	130 5 1/8	99 3 5/8	16 5/8	13 1/2	27 1 1/8	16 5/8	68 2 11/16	35.5 1 3/8	35 1.378	30 1 1/8	M14 1/2	UK205D1;H2305X UK205D1;HE2305
25 #8 1	UKFL206D1;H2306X UKFL206D1;HS2306 UKFL206D1;HE2306X	148 5 7/8	117 4 5/8	18 3/4	13 1/2	31 1 1/8	16 5/8	80 3 1/8	39 1 5/8	38 1.496	36 1 1/2	M14 1/2	UK206D1;H2306X UK206D1;HS2306 UK206D1;HE2306X
30 1 1/8	UKFL207D1;H2307X UKFL207D1;HS2307	161 6 1/2	130 5 1/8	19 3/4	15 1/2	34 1 1/8	16 5/8	90 3 1/2	42.5 1 5/8	43 1.693	40 1 5/8	M14 1/2	UK207D1;H2307X UK207D1;HS2307
35 1 1/4 1 5/8	UKFL208D1;H2308X UKFL208D1;HE2308X UKFL208D1;HS2308X	175 6 7/8	144 5 5/8	21 3/4	15 1/2	36 1 1/2	16 5/8	100 3 1/4	46.5 1 7/8	46 1.811	46 1 7/8	M14 1/2	UK208D1;H2308X UK208D1;HE2308X UK208D1;HS2308X
40 1 5/8 1 1/2 1 3/8	UKFL209D1;H2309X UKFL209D1;HA2309 UKFL209D1;HE2309X UKFL209D1;HS2309X	188 7 1/2	148 5 7/8	22 3/4	16 1/2	38 1 1/2	19 3/4	108 4 1/4	48.5 1 7/8	50 1.969	52 2 1/8	M16 3/8	UK209D1;H2309X UK209D1;HA2309 UK209D1;HE2309X UK209D1;HS2309X
45 1 3/8 1 11/16 1 3/4	UKFL210D1;H2310X UKFL210D1;HS2310 UKFL210D1;HA2310 UKFL210D1;HE2310X	197 7 7/8	157 6 1/8	22 3/4	16 1/2	40 1 5/8	19 3/4	115 4 1/2	50 1 7/8	55 2.165	57 2 1/4	M16 3/8	UK210D1;H2310X UK210D1;HS2310 UK210D1;HA2310 UK210D1;HE2310X
50 1 3/4 1 11/16 2	UKFL211D1;H2311X UKFL211D1;HS2311 UKFL211D1;HA2311 UKFL211D1;HE2311XY	224 8 7/8	184 7 1/4	25 1 1/4	18 1 1/4	43 1 7/8	19 3/4	130 5 1/8	54.5 2 1/8	59 2.323	64 2 5/8	M16 3/8	UK211D1;H2311X UK211D1;HS2311 UK211D1;HA2311 UK211D1;HE2311XY
55 2 1/8	UKFL212D1;H2312X UKFL212D1;HS2312	250 9 7/8	202 7 7/8	29 1 1/4	18 1 1/4	48 1 7/8	23 1 1/4	140 5 1/2	61 2 1/2	62 2.441	69 2 5/8	M20 3/4	UK212D1;H2312X UK212D1;HS2312
60 2 3/8 2 1/4 2 5/8	UKFL213D1;H2313X UKFL213D1;HA2313 UKFL213D1;HE2313X UKFL213D1;HS2313X	258 10 1/8	210 8 1/4	30 1 1/8	22 1 1/4	50 1 7/8	23 1 1/4	155 6 1/8	64 2 5/8	65 2.559	74 2 7/8	M20 3/4	UK213D1;H2313X UK213D1;HA2313 UK213D1;HE2313X UK213D1;HS2313X

Remarks: 1) These numbers indicate relubricatable type. If maintenance free type is needed, please order without suffix "D1".
 2) Adapter number with suffix "X" means a narrow slot type adapter sleeve.
 In this case the lock washer with the straight inner prong should be used.
 3) For HE2311XY, screw thread pitch different from the standard is applied, because of the thin thread section of sleeve.
 To distinguish it, a suffix "Y" is added.
 4) If the inch series housing units with dust cover are ordered with a closed end, the suffixes E, S or A are not included.
 Example: SM-UKFL205D1; HE2305

Note: Please refer to page 25 for size of grease fitting.



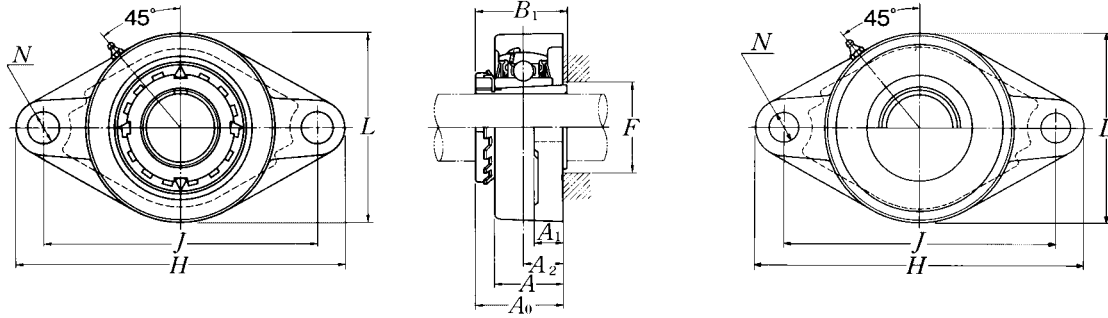
Cast dust cover type

Open end: **C-UKFL...D1**

Closed end: **CM-UKFL...D1**

Housing number	Unit number ⁴⁾ pressed steel dust cover type	Unit number ⁴⁾ cast dust cover type	Nominal dimensions					Mass of unit		
			mm		inch			kg		lb
			t	A ₄	A ₅	L ₁	L ₂	UKFL	S(SM)	C(CM)
FL205D1	S(SM)-UKFL205D1;H2305X	C(CM)-UKFL205D1;H2305X	2	44.5	51	74	34	0.6	0.7	0.9
FL205D1	S(SM)-UKFL205ED1;HE2305	C(CM)-UKFL205ED1;HE2305	max. 1/8	1 7/8	2	2 3/8	1 1/2	1.3	1.5	2.0
FL206D1	S(SM)-UKFL206D1;H2306X	C(CM)-UKFL206D1;H2306X	2	49	56	85	40	1.0	1.0	1.3
FL206D1	S(SM)-UKFL206SD1;HS2306	C(CM)-UKFL206SD1;HS2306	max. 1/8	1 7/8	2 1/8	3 1/2	1 1/2	2.2	2.2	2.9
FL206D1	S(SM)-UKFL206ED1;HE2306X	C(CM)-UKFL206ED1;HE2306X								
FL207D1	S(SM)-UKFL207D1;H2307X	C(CM)-UKFL207D1;H2307X	3	55	59	97	45	1.3	1.3	1.9
FL207D1	S(SM)-UKFL207SD1;HS2307	C(CM)-UKFL207SD1;HS2307	1/8	2 1/8	2 1/8	3 1/8	1 3/8	2.9	2.9	4.2
FL208D1	S(SM)-UKFL208D1;H2308X	C(CM)-UKFL208D1;H2308X	3	62	66	106	50	1.6	1.7	2.3
FL208D1	S(SM)-UKFL208ED1;HE2308X	C(CM)-UKFL208ED1;HE2308X	1/8	2 1/2	2 1/2	4 1/8	1 7/8	3.5	3.7	5.1
FL208D1	S(SM)-UKFL208D1;HS2308X	C(CM)-UKFL208D1;HS2308X								
FL209D1	S(SM)-UKFL209D1;H2309X	C(CM)-UKFL209D1;H2309X	3	63	70	113	54	2.0	2.1	2.7
FL209D1	S(SM)-UKFL209AD1;HA2309	C(CM)-UKFL209AD1;HA2309	1/8	2 1/2	2 3/4	4 1/8	2 1/8	4.4	4.6	6.0
FL209D1	S(SM)-UKFL209ED1;HE2309X	C(CM)-UKFL209ED1;HE2309X								
FL209D1	S(SM)-UKFL209SD1;HS2309X	C(CM)-UKFL209SD1;HS2309X								
FL210D1	S(SM)-UKFL210D1;H2310X	C(CM)-UKFL210D1;H2310X	3	65.5	72	120	58	2.3	2.4	3.2
FL210D1	S(SM)-UKFL210SD1;HS2310	C(CM)-UKFL210SD1;HS2310	1/8	2 1/2	2 3/4	4 3/8	2 3/8	5.1	5.3	7.1
FL210D1	S(SM)-UKFL210AD1;HA2310	C(CM)-UKFL210AD1;HA2310								
FL210D1	S(SM)-UKFL210ED1;HE2310X	C(CM)-UKFL210ED1;HE2310X								
FL211D1	S(SM)-UKFL211D1;H2311X	C(CM)-UKFL211D1;H2311X	4	71	75	133	65	3.3	3.4	4.6
FL211D1	S(SM)-UKFL211SD1;HS2311	C(CM)-UKFL211SD1;HS2311	3/32	2 3/8	2 1/2	5 1/4	2 1/8	7.3	7.5	10
FL211D1	S(SM)-UKFL211AD1;HA2311	C(CM)-UKFL211AD1;HA2311								
FL211D1	S(SM)-UKFL211ED1;HE2311XY	C(CM)-UKFL211ED1;HE2311XY								
FL212D1	S(SM)-UKFL212D1;H2312X	C(CM)-UKFL212D1;H2312X	4	80	86	144	70	4.0	4.2	5.2
FL212D1	S(SM)-UKFL212SD1;HS2312	C(CM)-UKFL212SD1;HS2312	3/32	3 1/8	3 3/8	5 3/8	2 3/4	8.8	9.3	11
FL213D1	S(SM)-UKFL213D1;H2313X	C(CM)-UKFL213D1;H2313X	4	83.5	90	157	78	5.2	5.4	6.8
FL213D1	S(SM)-UKFL213AD1;HA2313	C(CM)-UKFL213AD1;HA2313	3/32	3 1/8	3 1/2	6 1/8	3 1/8	11	12	15
FL213D1	S(SM)-UKFL213ED1;HE2313X	C(CM)-UKFL213ED1;HE2313X								
FL213D1	S(SM)-UKFL213SD1;HS2313X	C(CM)-UKFL213SD1;HS2313X								

Flanged units cast housing
Adapter type



Pressed steel dust cover type

Open end: **S-UKFL...D1**

Closed end: **SM-UKFL...D1**

Shaft dia.	Unit number ^{1) 2) 3)}	Nominal dimensions										Bolt size	Bearing number
		mm					inch						
		H	J	A ₂	A ₁	A	N	L	A ₀	B ₁	F min.		
65 2 1/8 2 1/2	UKFL215D1;H2315X UKFL215D1;HA2315 UKFL215D1;HE2315X	275	225	34	22	56	23	165	71	73	84	M20	UK215D1;H2315X UK215D1;HA2315 UK215D1;HE2315X
70 2 7/8 2 3/4	UKFL216D1;H2316X UKFL216D1;HA2316 UKFL216D1;HE2316X	290	233	34	22	58	25	180	73.5	78	90	M22	UK216D1;H2316X UK216D1;HA2316 UK216D1;HE2316X
75 2 7/8 3	UKFL217D1;H2317X UKFL217D1;HA2317X UKFL217D1;HE2317X	305	248	36	24	63	25	190	77	82	95	M22	UK217D1;H2317X UK217D1;HA2317X UK217D1;HE2317X
80 3 1/8	UKFL218D1;H2318X UKFL218D1;HA2318X	320	265	40	24	68	25	205	81.5	86	102	M22	UK218D1;H2318X UK218D1;HA2318X

Remarks: 1) These numbers indicate relubricatable type. If maintenance free type is needed, please order without suffix "D1".

2) Adapter number with suffix "X" means a narrow slot type adapter sleeve.

In this case the lock washer with the straight inner prong should be used.

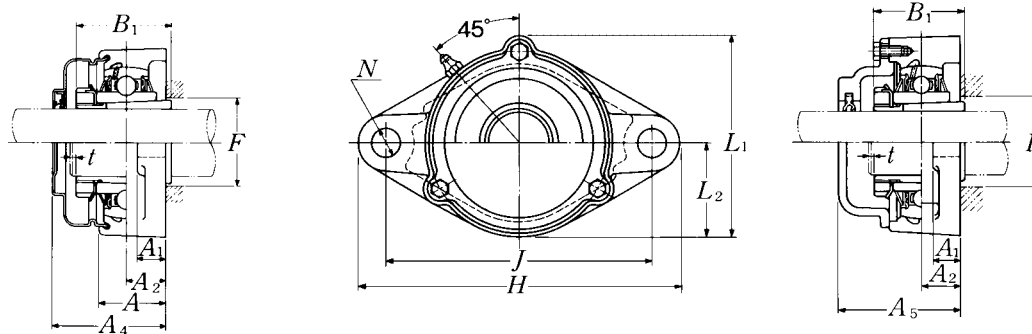
3) For HE2311XY, screw thread pitch different from the standard is applied, because of the thin thread section of sleeve.

To distinguish it, a suffix "Y" is added.

4) If the inch series housing units with dust cover are ordered with a closed end, the suffixes E, S or A are not included.

Example: SM-UKFL205D1; HE2305

Note: Please refer to page 25 for size of grease fitting.



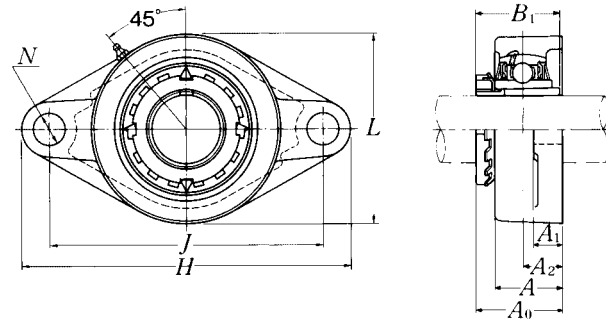
Cast dust cover type

Open end: **C-UKFL...D1**

Closed end: **CM-UKFL...D1**

Housing number	Unit number ⁴⁾ pressed steel dust cover type	Unit number ⁴⁾ cast dust cover type	Nominal dimensions					Mass of unit		
			mm		inch			kg		lb
			t	A ₄	A ₅	L ₁	L ₂	UKFL	S(SM)	C(CM)
FL215D1	-	C(CM)-UKFL215D1;H2315X	4	-	102	169	82	6.4	-	8.3
FL215D1	-	C(CM)-UKFL215AD1;HA2315	max. 3/32	-	4 1/32	6 1/32	3 1/32	14	-	18
FL215D1	-	C(CM)-UKFL215ED1;HE2315X								
FL216D1	-	C(CM)-UKFL216D1;H2316X	4	-	106	183	90	8.6	-	11
FL216D1	-	C(CM)-UKFL216AD1;HA2316	max. 3/32	-	4 7/16	7 3/32	3 1/32	19	-	24
FL216D1	-	C(CM)-UKFL216D1;HE2316X								
FL217D1	-	C(CM)-UKFL217D1;H2317X	5	-	114	192	95	9.8	-	12
FL217D1	-	C(CM)-UKFL217AD1;HA2317X	max. 1/16	-	4 1/2	7 1/16	3 7/16	22	-	26
FL217D1	-	C(CM)-UKFL217ED1;HE2317X								
FL218D1	-	C(CM)-UKFL218D1;H2318X	5	-	122	205	102	12	-	15
FL218D1	-	C(CM)-UKFL218AD1;HA2318X	max. 1/16	-	4 1/16	8 1/16	4 1/32	26	-	33

Flanged units cast housing Adapter type



Shaft dia.	Unit number ^{1) 2) 3)}	Nominal dimensions									Bolt size	Bearing number
		mm		inch		mm		inch		mm		
mm inch		H	J	A ₂	A ₁	A	N	L	A ₀	B ₁	mm inch	
20 #4	UKFL305D1;H2305X UKFL305D1;HE2305	150 5 ⁹ / ₃₂	113 4 ³ / ₆₄	16 ⁵ / ₈	13 ¹ / ₂	29 1 ¹ / ₃₂	19 #4	80 3 ¹ / ₃₂	37 1 ³ / ₆₄	35 1.378	M16 #8	UK305D1;H2305X UK305D1;HE2305
25 #8 1	UKFL306D1;H2306X UKFL306D1;HS2306 UKFL306D1;HE2306X	180 7 ¹ / ₃₂	134 5 ³ / ₃₂	18 ³ / ₆₄	15 ¹ / ₃₂	32 1 ¹ / ₄	23 #32	90 3 ¹ / ₃₂	40.5 1 ¹ / ₃₂	38 1.496	M20 #4	UK306D1;H2306X UK306D1;HS2306 UK306D1;HE2306X
30 1 ¹ / ₈	UKFL307D1;H2307X UKFL307D1;HS2307	185 7 ³ / ₃₂	141 5 ⁵ / ₆₄	20 #32	16 #8	36 1 ¹ / ₃₂	23 #32	100 3 ¹ / ₁₆	45.5 1 ¹ / ₆₄	43 1.693	M20 #4	UK307D1;H2307X UK307D1;HS2307
35 1 ¹ / ₄ 1 ⁵ / ₈	UKFL308D1;H2308X UKFL308D1;HE2308X UKFL308D1;HS2308X	200 7 ⁸ / ₈	158 6 ³ / ₃₂	23 #32	17 #132	40 1 ¹ / ₁₆	23 #32	112 4 ¹ / ₃₂	50 1 ¹ / ₃₂	46 1.811	M20 #4	UK308D1;H2308X UK308D1;HE2308X UK308D1;HS2308X
40 1 ¹ / ₂ 1 ¹ / ₈	UKFL309D1;H2309X UKFL309D1;HA2309 UKFL309D1;HE2309X UKFL309D1;HS2309X	230 9 ¹ / ₁₆	177 6 ⁷ / ₃₂	25 #64	18 #32	44 1 ¹ / ₃₂	25 #64	125 4 ³ / ₃₂	54.5 2 ¹ / ₆₄	50 1.969	M22 #8	UK309D1;H2309X UK309D1;HA2309 UK309D1;HE2309X UK309D1;HS2309X
45 1 ¹ / ₈ 1 ¹ / ₂ 1 ⁵ / ₈	UKFL310D1;H2310X UKFL310D1;HS2310 UKFL310D1;HA2310 UKFL310D1;HE2310X	240 9 ³ / ₁₆	187 7 ¹ / ₆₄	28 1 ¹ / ₆₄	19 #4	48 1 ¹ / ₈	25 #64	140 5 ¹ / ₂	60.5 2 ³ / ₈	55 2.165	M22 #8	UK310D1;H2310X UK310D1;HS2310 UK310D1;HA2310 UK310D1;HE2310X
50 1 ¹ / ₂ 2	UKFL311D1;H2311X UKFL311D1;HS2311 UKFL311D1;HA2311 UKFL311D1;HE2311XY	250 9 ¹ / ₃₂	198 7 ¹ / ₆₄	30 1 ¹ / ₁₆	20 #32	52 2 ¹ / ₁₆	25 #64	150 5 ³ / ₃₂	64 2 ¹ / ₆₄	59 2.323	M22 #8	UK311D1;H2311X UK311D1;HS2311 UK311D1;HA2311 UK311D1;HE2311XY
55 2 ¹ / ₈	UKFL312D1;H2312X UKFL312D1;HS2312	270 10 ⁵ / ₈	212 8 ¹ / ₃₂	33 1 ¹ / ₆₄	22 #8	56 2 ³ / ₃₂	31 1 ¹ / ₃₂	160 6 ¹ / ₁₆	69.5 2 ⁵ / ₆₄	62 2.441	M27 1	UK312D1;H2312X UK312D1;HS2312
60 2 ¹ / ₄ 2 ⁵ / ₈	UKFL313D1;H2313X UKFL313D1;HA2313 UKFL313D1;HE2313X UKFL313D1;HS2313X	295 11 ⁵ / ₈	240 9 ³ / ₆₄	33 1 ¹ / ₆₄	25 #132	58 2 ³ / ₃₂	31 1 ¹ / ₃₂	175 6 ⁵ / ₈	71.5 2 ¹ / ₁₆	65 2.559	M27 1	UK313D1;H2313X UK313D1;HA2313 UK313D1;HE2313X UK313D1;HS2313X

Remarks: 1) These numbers indicate relubricatable type. If maintenance free type is needed, please order without suffix "D1".

2) Adapter number with suffix "X" means a narrow slot type adapter sleeve.

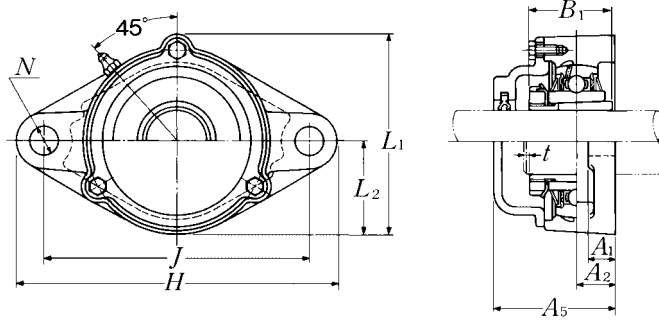
In this case the lock washer with the straight inner prong should be used.

3) For HE2311XY, screw thread pitch different from the standard is applied, because of the thin thread section of sleeve. To distinguish it, a suffix "Y" is added.

4) If the inch series housing units with dust cover are ordered with a closed end, the suffixes E, S or A are not included.

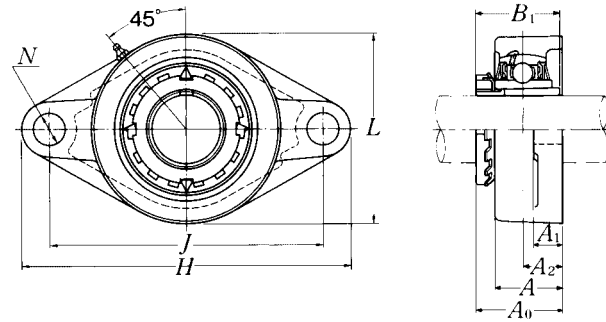
Example: CM-UKFL305D1; HE2305

Note: Please refer to page 25 for size of grease fitting.

**Cast dust cover type**Open end: **C-UKFL...D1**Closed end: **CM-UKFL...D1**

Housing number	Unit number ⁴⁾ cast dust cover type	Nominal dimensions				Mass of unit	
		<i>t</i> max.	mm	inch	<i>L</i> ₂	kg	lb
			<i>A</i> ₅	<i>L</i> ₁		UKFL	C(CM)
FL305D1	C(CM)-UKFL305D1;H2305X	2	56	86	40	1.1	1.6
FL305D1	C(CM)-UKFL305ED1;HE2305	$\frac{3}{16}$	2 $\frac{3}{32}$	3 $\frac{3}{8}$	1 $\frac{1}{16}$	2.4	3.5
FL306D1	C(CM)-UKFL306D1;H2306X	2	60	101	45	1.5	1.9
FL306D1	C(CM)-UKFL306SD1;HS2306	$\frac{3}{16}$	2 $\frac{3}{8}$	3 $\frac{1}{32}$	1 $\frac{3}{32}$	3.3	4.2
FL306D1	C(CM)-UKFL306ED1;HE2306X	$\frac{3}{16}$	2 $\frac{3}{8}$	3 $\frac{1}{32}$	1 $\frac{3}{32}$	3.3	4.2
FL307D1	C(CM)-UKFL307D1;H2307X	3	68	110	50	1.9	2.4
FL307D1	C(CM)-UKFL307SD1;HS2307	$\frac{1}{8}$	2 $\frac{11}{16}$	4 $\frac{1}{32}$	1 $\frac{1}{32}$	4.2	5.3
FL308D1	C(CM)-UKFL308D1;H2308X	3	76	122	56	2.5	3.3
FL308D1	C(CM)-UKFL308ED1;HE2308X	$\frac{1}{8}$	3	4 $\frac{1}{16}$	2 $\frac{3}{32}$	5.5	7.3
FL308D1	C(CM)-UKFL308D1;HS2308X	$\frac{1}{8}$	3	4 $\frac{1}{16}$	2 $\frac{3}{32}$	5.5	7.3
FL309D1	C(CM)-UKFL309D1;H2309X	3	80	135	62	3.5	4.4
FL309D1	C(CM)-UKFL309AD1;HA2309	$\frac{1}{8}$	3 $\frac{3}{32}$	5 $\frac{1}{16}$	2 $\frac{3}{16}$	7.7	9.7
FL309D1	C(CM)-UKFL309ED1;HE2309X	$\frac{1}{8}$	3 $\frac{3}{32}$	5 $\frac{1}{16}$	2 $\frac{3}{16}$	7.7	9.7
FL309D1	C(CM)-UKFL309SD1;HS2309X	$\frac{1}{8}$	3 $\frac{3}{32}$	5 $\frac{1}{16}$	2 $\frac{3}{16}$	7.7	9.7
FL310D1	C(CM)-UKFL310D1;H2310X	3	88	152	70	4.4	5.4
FL310D1	C(CM)-UKFL310SD1;HS2310	$\frac{1}{8}$	3 $\frac{1}{32}$	5 $\frac{1}{32}$	2 $\frac{3}{4}$	9.7	12
FL310D1	C(CM)-UKFL310AD1;HA2310	$\frac{1}{8}$	3 $\frac{1}{32}$	5 $\frac{1}{32}$	2 $\frac{3}{4}$	9.7	12
FL310D1	C(CM)-UKFL310ED1;HE2310X	$\frac{1}{8}$	3 $\frac{1}{32}$	5 $\frac{1}{32}$	2 $\frac{3}{4}$	9.7	12
FL311D1	C(CM)-UKFL311D1;H2311X	4	92	162	75	5.1	6.3
FL311D1	C(CM)-UKFL311SD1;HS2311	$\frac{3}{32}$	3 $\frac{3}{8}$	6 $\frac{3}{8}$	2 $\frac{1}{16}$	11	14
FL311D1	C(CM)-UKFL311AD1;HA2311	$\frac{3}{32}$	3 $\frac{3}{8}$	6 $\frac{3}{8}$	2 $\frac{1}{16}$	11	14
FL311D1	C(CM)-UKFL311ED1;HE2311XY	$\frac{3}{32}$	3 $\frac{3}{8}$	6 $\frac{3}{8}$	2 $\frac{1}{16}$	11	14
FL312D1	C(CM)-UKFL312D1;H2312X	4	100	175	80	6.0	7.7
FL312D1	C(CM)-UKFL312SD1;HS2312	$\frac{3}{32}$	3 $\frac{1}{16}$	6 $\frac{3}{8}$	3 $\frac{3}{32}$	13	17
FL312D1	C(CM)-UKFL312SD1;HS2312	$\frac{3}{32}$	3 $\frac{1}{16}$	6 $\frac{3}{8}$	3 $\frac{3}{32}$	13	17
FL313D1	C(CM)-UKFL313D1;H2313X	4	103	189	88	7.6	9.8
FL313D1	C(CM)-UKFL313AD1;HA2313	$\frac{3}{32}$	4 $\frac{1}{16}$	7 $\frac{1}{16}$	3 $\frac{1}{32}$	17	22
FL313D1	C(CM)-UKFL313ED1;HE2313X	$\frac{3}{32}$	4 $\frac{1}{16}$	7 $\frac{1}{16}$	3 $\frac{1}{32}$	17	22
FL313D1	C(CM)-UKFL313SD1;HS2313X	$\frac{3}{32}$	4 $\frac{1}{16}$	7 $\frac{1}{16}$	3 $\frac{1}{32}$	17	22

Flanged units cast housing Adapter type



Shaft dia.	Unit number ^{1) 2) 3)}	Nominal dimensions									Bolt size	Bearing number
		mm			inch			mm				
mm inch		H	J	A ₂	A ₁	A	N	L	A ₀	B ₁	mm inch	
65 2 1/8 2 1/2	UKFL315D1;H2315X UKFL315D1;HA2315 UKFL315D1;HE2315X	320 12 1/2	260 10 1/4	39 1 1/2	30 1 1/8	66 2 1/2	35 1 3/8	195 7 1/2	81.5 3 1/8	73 2.874	M30 1 1/8	UK315D1;H2315X UK315D1;HA2315 UK315D1;HE2315X
70 2 11/16 2 7/8	UKFL316D1;H2316X UKFL316D1;HA2316 UKFL316D1;HE2316X	355 13 7/8	285 11 1/2	38 1 1/2	32 1 1/4	68 2 11/16	38 1 1/2	210 8 3/8	84 3 3/8	78 3.071	M33 1 1/4	UK316D1;H2316X UK316D1;HA2316 UK316D1;HE2316X
75 2 11/16 3	UKFL317D1;H2317X UKFL317D1;HA2317X UKFL317D1;HE2317X	370 14 1/8	300 11 7/8	44 1 5/8	32 1 1/4	74 2 9/16	38 1 1/2	220 8 5/8	92 3 5/8	82 3.228	M33 1 1/4	UK317D1;H2317X UK317D1;HA2317X UK317D1;HE2317X
80 3 1/8	UKFL318D1;H2318X UKFL318D1;HA2318X	385 15 1/2	315 12 1/2	44 1 5/8	36 1 1/2	76 3	38 1 1/2	235 9 1/4	94 3 5/8	86 3.386	M33 1 1/4	UK318D1;H2318X UK318D1;HA2318X
85 3 1/4	UKFL319D1;H2319X UKFL319D1;HE2319X	405 15 7/8	330 12 7/8	59 2 3/8	40 1 5/8	94 3 11/16	41 1 5/8	250 9 7/8	111.5 4 3/8	90 3.543	M36 1 3/8	UK319D1;H2319X UK319D1;HE2319X
90 3 5/8 3 1/2	UKFL320D1;H2320X UKFL320D1;HA2320 UKFL320D1;HE2320X	440 17 3/8	360 14 1/4	59 2 3/8	40 1 5/8	94 3 11/16	44 1 5/8	270 10 5/8	115.5 4 5/8	97 3.819	M39 1 1/2	UK320D1;H2320X UK320D1;HA2320 UK320D1;HE2320X
100	UKFL322D1;H2322X	470	390	60	42	96	44	300	121	105	M39	UK322D1;H2322X
110	UKFL324D1;H2324X	520	430	65	48	110	47	330	130	112	M42	UK324D1;H2324X
115	UKFL326D1;H2326	550	460	65	50	115	47	360	133	121	M42	UK326D1;H2326
125	UKFL328D1;H2328	600	500	75	60	125	51	400	146.5	131	M45	UK328D1;H2328

Remarks: 1) These numbers indicate relubricatable type. If maintenance free type is needed, please order without suffix "D1".

2) Adapter number with suffix "X" means a narrow slot type adapter sleeve.

In this case the lock washer with the straight inner prong should be used.

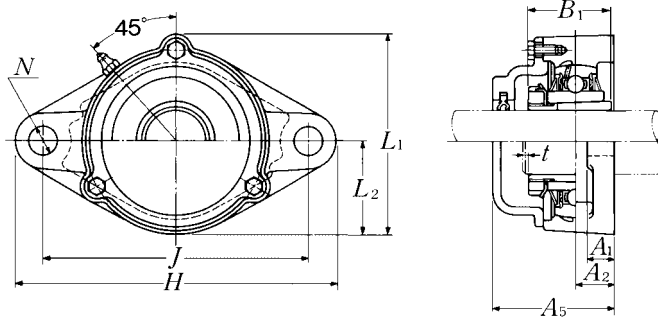
3) For HE2311XY, screw thread pitch different from the standard is applied, because of the thin thread section of sleeve.

To distinguish it, a suffix "Y" is added.

4) If the inch series housing units with dust cover are ordered with a closed end, the suffixes E, S or A are not included.

Example: CM-UKFL305D1; HE2305

Note: Please refer to page 25 for size of grease fitting.



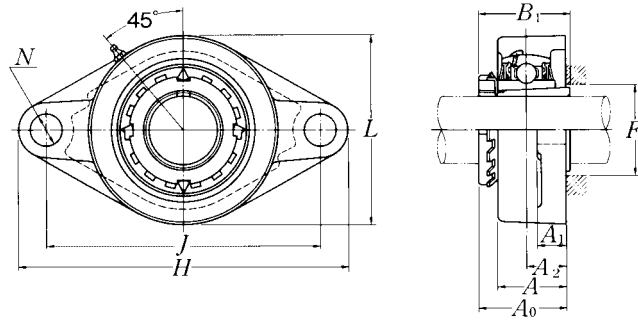
Cast dust cover type

Open end: **C-UKFL...D1**

Closed end: **CM-UKFL...D1**

Housing number	Unit number ⁴⁾ cast dust cover type	Nominal dimensions				Mass of unit	
		t max.	mm	inch	L ₂	kg	lb
			A ₅	L ₁		UKFL	C(CM)
FL315D1	C(CM)-UKFL315D1;H2315X	4	114	210	98	10	13
FL315D1	C(CM)-UKFL315AD1;HA2315	3/32	4 1/2	8 3/32	3 9/32	22	29
FL315D1	C(CM)-UKFL315ED1;HE2315X						
FL316D1	C(CM)-UKFL316D1;H2316X	4	116	222	105	13	17
FL316D1	C(CM)-UKFL316AD1;HA2316	3/32	4 1/16	8 7/8	4 1/8	29	37
FL316D1	C(CM)-UKFL316D1;HE2316X						
FL317D1	C(CM)-UKFL317D1;H2317X	5	127	234	110	15	18
FL317D1	C(CM)-UKFL317AD1;HA2317X	1/8	5	9 3/32	4 1/32	33	40
FL317D1	C(CM)-UKFL317ED1;HE2317X						
FL318D1	C(CM)-UKFL318D1;H2318X	5	129	247	118	18	21
FL318D1	C(CM)-UKFL318AD1;HA2318X	1/8	5 3/32	9 9/32	4 1/32	40	46
FL319D1	C(CM)-UKFL319D1;H2319X	5	149	260	125	22	27
FL319D1	C(CM)-UKFL319ED1;HE2319X	1/8	5 8/8	10 1/4	4 1/32	49	60
FL320D1	C(CM)-UKFL320D1;H2320X	5	154	280	135	27	31
FL320D1	C(CM)-UKFL320AD1;HA2320	1/8	6 1/16	11 1/32	5 7/16	60	68
FL320D1	C(CM)-UKFL320ED1;HE2320X						
FL322D1	C(CM)-UKFL322D1;H2322X	5	160	315	150	34	41
FL324D1	C(CM)-UKFL324D1;H2324X	5	172	342	165	47	52
FL326D1	C(CM)-UKFL326D1;H2326	6	178	376	180	58	65
FL328D1	C(CM)-UKFL328D1;H2328	6	192	410	200	82	90

Flanged units cast housing
Adapter type



Shaft dia. mm inch	Unit number ^{1) 2)}	Nominal dimensions										Bolt size mm inch
		H	J	A ₂	A ₁	A	N	L	A ₀	B ₁	F min.	
20 #4	UKFLX05D1;H2305X UKFLX05D1;HE2305	141 5(1/6	117 4#(6/4	18 3/8	13 1/2	30 1#1/6	12 1/2	83 3(3/2	39 1!&3/2	35 1.378	30 1#1/6	M10 #8
25 5/8 1	UKFLX06D1;H2306X UKFLX06D1;HS2306 UKFLX06D1;HE2306X	156 6#3/2	130 5!8	19 #4	15 !(3/2	34 1!1/2	16 3/8	95 3#4	41.5 1\$!6/4	38 1.496	36 1!#3/2	M14 1/2
30 1!8	UKFLX07D1;H2307X UKFLX07D1;HS2307	171 6#3/2	144 5\$#6/4	21 #6/4	16 3/8	38 1!2	16 3/8	105 4!8	45.5 1!6/4	43 1.693	40 1(1/6	M14 1/2
35 1!4 1#8	UKFLX08D1;H2308X UKFLX08D1;HE2308X UKFLX08D1;HS2308X	179 7!1/6	148 5%#6/4	22 %6/4	16 3/8	40 1(1/6	16 3/8	111 4#8	47.5 188	46 1.811	46 1!#1/6	M14 1/2
40 1&1/6 1!2 1#8	UKFLX09D1;H2309X UKFLX09D1;HA2309 UKFLX09D1;HE2309X UKFLX09D1;HS2309X	189 7&1/6	157 6#1/6	23 e(3/2	16 3/8	40 1(1/6	16 3/8	116 4(1/6	50 1#1/2	50 1.969	52 2!1/6	M14 1/2
45 1#8 1!!1/6 1#4	UKFLX10D1;H2310X UKFLX10D1;HS2310 UKFLX10D1;HA2310 UKFLX10D1;HE2310X	216 8!2	184 7!4	26 1!3/2	18 e#3/2	44 1e#3/2	19 #4	133 5!4	55.5 2#1/6	55 2.165	57 2!4	M16 3/8

Remarks: 1) These numbers indicate relubricatable type. If maintenance free type is needed, please order without suffix "D1".

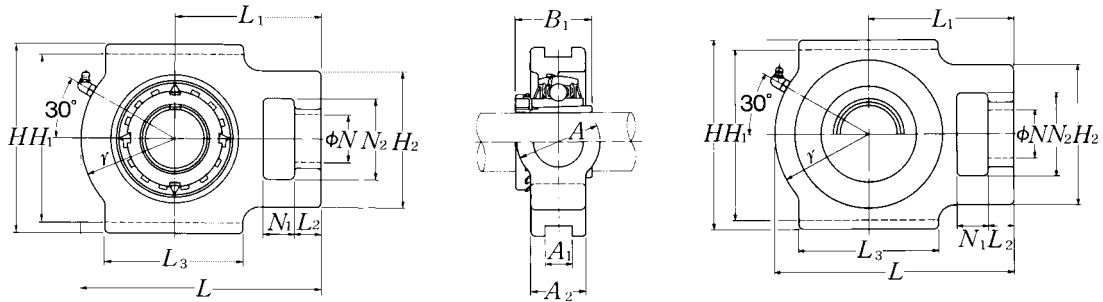
2) Adapter number with suffix "X" means a narrow slot type adapter sleeve.

In this case the lock washer with the straight inner prong should be used.

Note: Please refer to page 25 for size of grease fitting.

Bearing number	Housing number	Mass of unit	
		kg	lb
UKX05D1;H2305X	FLX05D1	1.0	
UKX05D1;HE2305	FLX05D1	2.2	
UKX06D1;H2306X	FLX06D1	1.3	
UKX06D1;HS2306	FLX06D1	2.9	
UKX06D1;HE2306X	FLX06D1		
UKX07D1;H2307X	FLX07D1	2.0	
UKX07D1;HS2307	FLX07D1	4.4	
UKX08D1;H2308X	FLX08D1	2.1	
UKX08D1;HE2308X	FLX08D1	4.6	
UKX08D1;HS2308X	FLX08D1		
UKX09D1;H2309X	FLX09D1	2.4	
UKX09D1;HA2309	FLX09D1		
UKX09D1;HE2309X	FLX09D1	5.3	
UKX09D1;HS2309X	FLX09D1		
UKX10D1;H2310X	FLX10D1	3.3	
UKX10D1;HS2310	FLX10D1		
UKX10D1;HA2310	FLX10D1	7.3	
UKX10D1;HE2310X	FLX10D1		

Take-up units cast housing
Adapter type



Pressed steel dust cover type

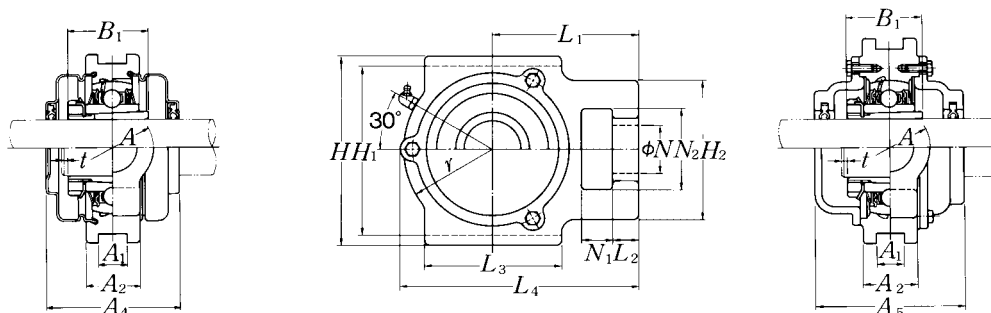
Open end: **S-UKT...D1**

Closed end: **SM-UKT...D1**

Shaft dia. mm inch	Unit number ^{1) 2) 3)}	Nominal dimensions														Bearing number	
		mm							inch								
		N _i	L ₂	H ₂	N ₂	N	L ₃	A ₁	H ₁	H	L	A ₂	A	r	L ₁		B ₁
20 #4	UKT205D1;H2305X UKT205D1;HE2305	16	12	51	32	19	51	12	76	89	97	24	32	35	62	35	UK205D1;H2305X UK205D1;HE2305
25 #8 1	UKT206D1;H2306X UKT206D1;HS2306 UKT206D1;HE2306X	16	12	56	37	22	57	12	89	102	113	28	37	43	70	38	UK206D1;H2306X UK206D1;HS2306 UK206D1;HE2306X
30 #10	UKT207D1;H2307X UKT207D1;HS2307	16	15	64	37	22	64	12	89	102	129	30	37	51	78	43	UK207D1;H2307X UK207D1;HS2307
35 #11 #8	UKT208D1;H2308X UKT208D1;HE2308X UKT208D1;HS2308X	19	18	83	49	29	83	16	102	114	144	33	49	56	88	46	UK208D1;H2308X UK208D1;HE2308X UK208D1;HS2308X
40 #1 1/8 #1 1/2 #1 3/8	UKT209D1;H2309X UKT209D1;HA2309 UKT209D1;HE2309X UKT209D1;HS2309X	19	18	83	49	29	83	16	102	117	145	35	49	57	88	50	UK209D1;H2309X UK209D1;HA2309 UK209D1;HE2309X UK209D1;HS2309X
45 #1 3/8 #1 1/2 #1 3/4	UKT210D1;H2310X UKT210D1;HS2310 UKT210D1;HA2310 UKT210D1;HE2310X	19	18	83	49	29	86	16	102	117	151	37	49	59	92	55	UK210D1;H2310X UK210D1;HS2310 UK210D1;HA2310 UK210D1;HE2310X
50 #1 3/4 2	UKT211D1;H2311X UKT211D1;HS2311 UKT211D1;HA2311 UKT211D1;HE2311XY	25	21	102	64	35	95	22	130	146	171	38	64	65	106	59	UK211D1;H2311X UK211D1;HS2311 UK211D1;HA2311 UK211D1;HE2311XY
55 #2 1/8	UKT212D1;H2312X UKT212D1;HS2312	32	21	102	64	35	102	22	130	146	194	42	64	75	119	62	UK212D1;H2312X UK212D1;HS2312
60 #2 1/4 #2 3/8	UKT213D1;H2313X UKT213D1;HA2313 UKT213D1;HE2313X UKT213D1;HS2313X	32	23	111	70	41	121	26	151	167	224	44	70	87	137	65	UK213D1;H2313X UK213D1;HA2313 UK213D1;HE2313X UK213D1;HS2313X

Remarks: 1) These numbers indicate relubricatable type. If maintenance free type is needed, please order without suffix "D1".
 2) Adapter number with suffix "X" means a narrow slot type adapter sleeve.
 In this case the lock washer with the straight inner prong should be used.
 3) For HE2311XY, screw thread pitch different from the standard is applied, because of the thin thread section of sleeve.
 To distinguish it, a suffix "Y" is added.

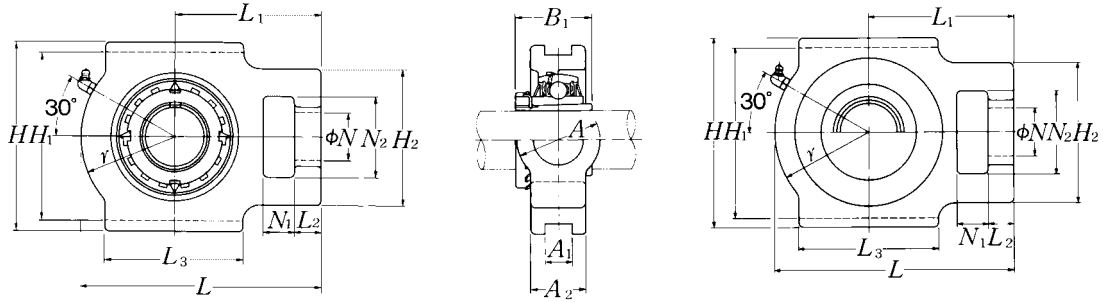
Note: Please refer to page 25 for size of grease fitting.



Cast dust cover type
 Open end: **C-UKT...D1**
 Closed end: **CM-UKT...D1**

Housing number	Unit number pressed steel dust cover type	Unit number cast dust cover type	Nominal dimensions				Mass of unit		
			mm		inch		kg		lb
			t max.	A ₄	L ₄	A ₅	UKT	S(SM)	C(CM)
T205D1	S(SM)-UKT205D1;H2305X	C(CM)-UKT205D1;H2305X	2	57	100.5	70	0.9	1.0	1.6
T205D1	S(SM)-UKT205ED1;HE2305	C(CM)-UKT205ED1;HE2305	3/64	2 1/4	3 1/32	2 3/4	2.0	2.2	3.5
T206D1	S(SM)-UKT206D1;H2306X	C(CM)-UKT206D1;H2306X	2	62	113.5	75	1.4	1.4	1.9
T206D1	S(SM)-UKT206SD1;HS2306	C(CM)-UKT206SD1;HS2306	3/64	2 5/16	4 1/32	2 1/16	3.1	3.1	4.2
T206D1	S(SM)-UKT206ED1;HE2306X	C(CM)-UKT206ED1;HE2306X							
T207D1	S(SM)-UKT207D1;H2307X	C(CM)-UKT207D1;H2307X	3	72	129	80	1.8	1.9	2.8
T207D1	S(SM)-UKT207SD1;HS2307	C(CM)-UKT207SD1;HS2307	1/8	2 3/32	5 3/32	3 3/32	4.0	4.2	6.2
T208D1	S(SM)-UKT208D1;H2308X	C(CM)-UKT208D1;H2308X	3	82	144	90	2.3	2.5	3.8
T208D1	S(SM)-UKT208ED1;HE2308X	C(CM)-UKT208ED1;HE2308X	1/8	3 3/32	5 1/32	3 1/32	5.1	5.5	8.4
T208D1	S(SM)-UKT208D1;HS2308X	C(CM)-UKT208D1;HS2308X							
T209D1	S(SM)-UKT209D1;H2309X	C(CM)-UKT209D1;H2309X	3	82	145.5	95	2.5	2.7	4.3
T209D1	S(SM)-UKT209AD1;HA2309	C(CM)-UKT209AD1;HA2309	1/8	3 3/32	5 1/32	3 3/4	5.5	6.0	9.5
T209D1	S(SM)-UKT209ED1;HE2309X	C(CM)-UKT209ED1;HE2309X							
T209D1	S(SM)-UKT209SD1;HS2309X	C(CM)-UKT209SD1;HS2309X							
T210D1	S(SM)-UKT210D1;H2310X	C(CM)-UKT210D1;H2310X	3	87	152	100	2.6	2.8	4.7
T210D1	S(SM)-UKT210SD1;HS2310	C(CM)-UKT210SD1;HS2310	1/8	3 5/16	5 1/32	3 1/16	5.7	6.2	10
T210D1	S(SM)-UKT210AD1;HA2310	C(CM)-UKT210AD1;HA2310							
T210D1	S(SM)-UKT210ED1;HE2310X	C(CM)-UKT210ED1;HE2310X							
T211D1	S(SM)-UKT211D1;H2311X	C(CM)-UKT211D1;H2311X	4	92	171.5	100	4.0	4.3	7.5
T211D1	S(SM)-UKT211SD1;HS2311	C(CM)-UKT211SD1;HS2311	3/32	3 3/8	6 3/4	3 1/16	8.8	9.5	17
T211D1	S(SM)-UKT211AD1;HA2311	C(CM)-UKT211AD1;HA2311							
T211D1	S(SM)-UKT211ED1;HE2311XY	C(CM)-UKT211ED1;HE2311XY							
T212D1	S(SM)-UKT212D1;H2312X	C(CM)-UKT212D1;H2312X	4	102	194	115	4.8	5.1	7.6
T212D1	S(SM)-UKT212SD1;HS2312	C(CM)-UKT212SD1;HS2312	3/32	4 1/32	7 3/8	4 1/32	11	11	17
T213D1	S(SM)-UKT213D1;H2313X	C(CM)-UKT213D1;H2313X	4	107	224	120	7.1	7.5	11
T213D1	S(SM)-UKT213AD1;HA2313	C(CM)-UKT213AD1;HA2313	3/32	4 3/32	8 1/16	4 1/32	16	17	24
T213D1	S(SM)-UKT213ED1;HE2313X	C(CM)-UKT213ED1;HE2313X							
T213D1	S(SM)-UKT213SD1;HS2313X	C(CM)-UKT213SD1;HS2313X							

Take-up units cast housing
Adapter type



Pressed steel dust cover type

Open end: **S-UKT...D1**

Closed end: **SM-UKT...D1**

Shaft dia. mm inch	Unit number ^{1) 2) 3)}	Nominal dimensions															Bearing number
		mm inch															
		N _i	L ₂	H ₂	N ₂	N	L ₃	A ₁	H ₁	H	L	A ₂	A	r	L ₁	B ₁	
65 2 1/8 2 1/2	UKT215D1;H2315X UKT215D1;HA2315 UKT215D1;HE2315X	32	23	111	70	41	121	26	151	167	232	48	70	92	140	73	UK215D1;H2315X UK215D1;HA2315 UK215D1;HE2315X
70 2 7/8 2 3/4	UKT216D1;H2316X UKT216D1;HA2316 UKT216D1;HE2316X	32	23	111	70	41	121	26	165	184	235	51	70	95	140	78	UK216D1;H2316X UK216D1;HA2316 UK216D1;HE2316X
75 2 7/8 3	UKT217D1;H2317X UKT217D1;HA2317X UKT217D1;HE2317X	38	31	124	73	48	157	30	173	198	260	54	73	98	162	82	UK217D1;H2317X UK217D1;HA2317X UK217D1;HE2317X

Remarks: 1) These numbers indicate relubricatable type. If maintenance free type is needed, please order without suffix "D1".

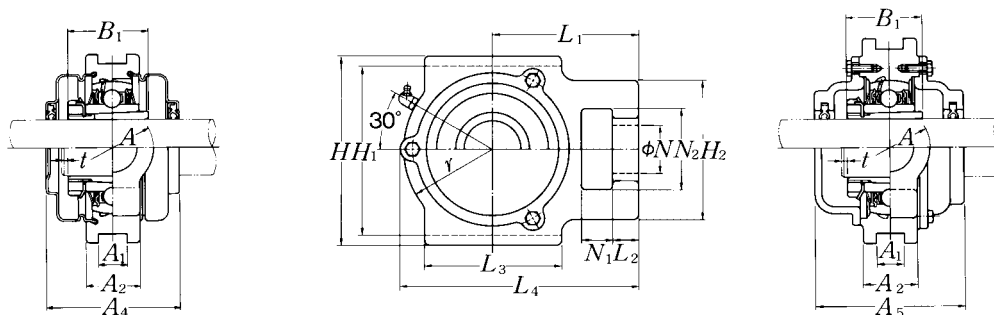
2) Adapter number with suffix "X" means a narrow slot type adapter sleeve.

In this case the lock washer with the straight inner prong should be used.

3) For HE2311XY, screw thread pitch different from the standard is applied, because of the thin thread section of sleeve.

To distinguish it, a suffix "Y" is added.

Note: Please refer to page 25 for size of grease fitting.



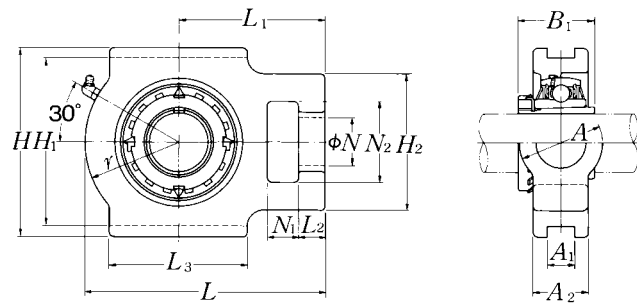
Cast dust cover type

Open end: **C-UKT...D1**

Closed end: **CM-UKT...D1**

Housing number	Unit number pressed steel dust cover type	Unit number cast dust cover type	Nominal dimensions				Mass of unit		
			mm		inch		kg		lb
			t max.	A4	L4	A5	UKT	S(SM)	C(CM)
T215D1	-	C(CM)-UKT215D1;H2315X	4	-	232	135	7.9	-	11
T215D1	-	C(CM)-UKT215AD1;HA2315	3/32	-	9 1/8	5 1/16	17	-	24
T215D1	-	C(CM)-UKT215ED1;HE2315X							
T216D1	-	C(CM)-UKT216D1;H2316X	4	-	235	145	8.8	-	13
T216D1	-	C(CM)-UKT216AD1;HA2316	3/32	-	9 1/4	5 5/32	19	-	29
T216D1	-	C(CM)-UKT216D1;HE2316X							
T217D1	-	C(CM)-UKT217D1;H2317X	5	-	260	155	11	-	17
T217D1	-	C(CM)-UKT217AD1;HA2317X	1/16	-	10 1/4	6 3/32	24	-	37
T217D1	-	C(CM)-UKT217ED1;HE2317X							

Take-up units cast housing Adapter type



Shaft dia. mm inch	Unit number ^{1) 2) 3)}	Nominal dimensions														
		mm inch														
		N_1	L_2	H_2	N_2	N	L_3	A_1	H_1	H	L	A_2	A	r	L_1	B_1
20 #4	UKT305D1;H2305X UKT305D1;HE2305	16 5/8	14 (7/6)	62 2 5/16	36 1 1/32	26 1 1/32	65 2 (7/6)	12 0.472	80 3 3/32	89 3 1/2	122 4 1/16	26 1 1/32	36 1 1/32	46 1 1/16	76 3	35 1.378
25 3/8 1	UKT306D1;H2306X UKT306D1;HS2306 UKT306D1;HE2306X	18 3/4	16 5/8	70 2 3/4	41 1 5/8	28 1 1/32	74 2 3/32	16 0.630	90 3 5/16	100 3 1/16	137 5 1/32	28 1 1/32	41 1 5/8	52 2 1/16	85 3 1/32	38 1.496
30 1 1/8	UKT307D1;H2307X UKT307D1;HS2307	20 3/4	17 1 1/2	75 2 1/16	45 1 3/32	30 1 1/16	80 3 1/32	16 0.630	100 3 1/16	111 4 3/8	150 5 3/32	32 1 1/4	45 1 3/32	56 2 3/32	94 3 1/16	43 1.693
35 1 1/4 1 5/8	UKT308D1;H2308X UKT308D1;HE2308X UKT308D1;HS2308X	22 7/8	19 3/4	83 3 1/32	50 1 1/32	32 1 1/4	89 3 1/2	18 0.709	112 4 1/32	124 4 7/8	162 6 3/8	34 1 1/32	50 1 1/32	62 2 3/16	100 3 1/16	46 1.811
40 1 5/16 1 1/2 1 5/8	UKT309D1;H2309X UKT309D1;HA2309 UKT309D1;HE2309X UKT309D1;HS2309X	24 1 1/2	20 3/4	90 3 1/32	55 2 1/32	34 1 1/32	97 3 1/16	18 0.709	125 4 7/16	138 5 1/16	178 7	38 1 1/2	55 2 1/32	68 2 1/16	110 4 1/32	50 1.969
45 1 5/8 1 11/16 1 3/4	UKT310D1;H2310X UKT310D1;HS2310 UKT310D1;HA2310 UKT310D1;HE2310X	27 1 1/2	22 7/8	98 3 5/32	61 2 1/32	37 1 1/32	106 4 1/16	20 0.787	140 5 5/16	151 5 1/16	192 7 1/16	40 1 1/16	61 2 1/32	74 2 3/32	118 4 1/32	55 2.165
50 1 5/8 1 11/16 2	UKT311D1;H2311X UKT311D1;HS2311 UKT311D1;HA2311 UKT311D1;HE2311XY	29 1 1/32	23 3/4	105 4 1/8	66 2 1/32	39 1 1/32	115 4 1/32	22 0.866	150 5 3/32	163 6 1/32	207 8 1/32	44 1 3/32	66 2 1/32	80 3 3/32	127 5	59 2.323
55 2 1/8	UKT312D1;H2312X UKT312D1;HS2312	31 1 1/32	25 1 1/32	113 4 1/16	71 2 3/32	41 1 5/8	123 4 5/32	22 0.866	160 6 1/16	178 7	220 8 1/32	46 1 1/16	71 2 3/32	85 3 1/32	135 5 1/16	62 2.441
60 2 3/16 2 1/4 2 5/8	UKT313D1;H2313X UKT313D1;HA2313 UKT313D1;HE2313X UKT313D1;HS2313X	32 1 1/4	27 1 1/16	116 4 1/16	70 2 3/4	43 1 11/16	134 5 1/32	26 1.024	170 6 1/16	190 7 1/32	238 9 3/8	50 1 1/32	80 3 3/32	92 3 3/8	146 5 3/4	65 2.559

Remarks: 1) These numbers indicate relubricatable type. If maintenance free type is needed, please order without suffix "D1".

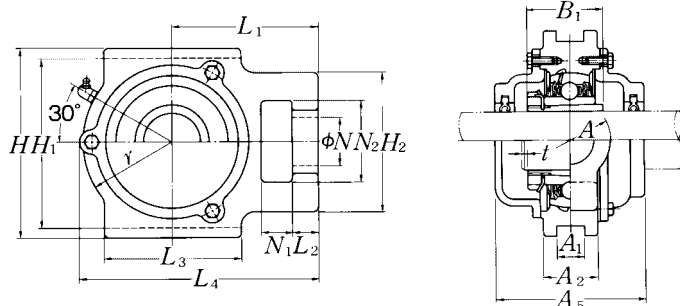
2) Adapter number with suffix "X" means a narrow slot type adapter sleeve.

In this case the lock washer with the straight inner prong should be used.

3) For HE2311XY, screw thread pitch different from the standard is applied, because of the thin thread section of sleeve.

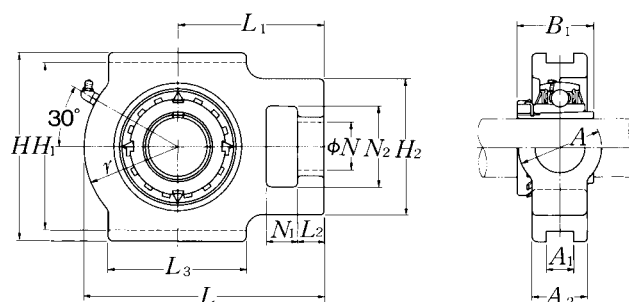
To distinguish it, a suffix "Y" is added.

Note: Please refer to page 25 for size of grease fitting.

**Cast dust cover type**Open end: **C-UKT...D1**Closed end: **CM-UKT...D1**

Bearing number	Housing number	Unit number cast dust cover type	Nominal dimensions			Mass of unit	
			mm		inch	kg	lb
			<i>t</i> max.	<i>L</i> ₄	<i>A</i> ₅	UKT	C(CM)
UK305D1;H2305X UK305D1;HE2305	T305D1 T305D1	C(CM)-UKT305D1;H2305X C(CM)-UKT305ED1;HE2305	2 %64	122 4!#76	80 3%32	1.4 3.1	2.2 4.9
UK306D1;H2306X UK306D1;HS2306 UK306D1;HE2306X	T306D1 T306D1 T306D1	C(CM)-UKT306D1;H2306X C(CM)-UKT306SD1;HS2306 C(CM)-UKT306ED1;HE2306X	2 %64	139 5#!32	85 3!132	1.8 4.0	2.9 6.4
UK307D1;H2307X UK307D1;HS2307	T307D1 T307D1	C(CM)-UKT307D1;H2307X C(CM)-UKT307SD1;HS2307	3 !8	152 5#!32	95 3#4	2.4 5.3	3.7 8.2
UK308D1;H2308X UK308D1;HE2308X UK308D1;HS2308X	T308D1 T308D1 T308D1	C(CM)-UKT308D1;H2308X C(CM)-UKT308ED1;HE2308X C(CM)-UKT308D1;HS2308X	3 !8	164 6!%32	105 4!8	3.0 6.6	4.8 11
UK309D1;H2309X UK309D1;HA2309 UK309D1;HE2309X UK309D1;HS2309X	T309D1 T309D1 T309D1 T309D1	C(CM)-UKT309D1;H2309X C(CM)-UKT309AD1;HA2309 C(CM)-UKT309ED1;HE2309X C(CM)-UKT309SD1;HS2309X	3 !8	181 7!8	110 4!132	4.1 9.0	6.3 14
UK310D1;H2310X UK310D1;HS2310 UK310D1;HA2310 UK310D1;HE2310X	T310D1 T310D1 T310D1 T310D1	C(CM)-UKT310D1;H2310X C(CM)-UKT310SD1;HS2310 C(CM)-UKT310AD1;HA2310 C(CM)-UKT310ED1;HE2310X	3 !8	197 7#4	120 4@#32	5.0 11	7.7 17
UK311D1;H2311X UK311D1;HS2311 UK311D1;HA2311 UK311D1;HE2311XY	T311D1 T311D1 T311D1 T311D1	C(CM)-UKT311D1;H2311X C(CM)-UKT311SD1;HS2311 C(CM)-UKT311AD1;HA2311 C(CM)-UKT311ED1;HE2311XY	4 %32	211 8%76	125 4@32	6.4 14	9.6 21
UK312D1;H2312X UK312D1;HS2312	T312D1 T312D1	C(CM)-UKT312D1;H2312X C(CM)-UKT312SD1;HS2312	4 %32	227 8!%76	135 5%76	7.5 17	11 24
UK313D1;H2313X UK313D1;HA2313 UK313D1;HE2313X UK313D1;HS2313X	T313D1 T313D1 T313D1 T313D1	C(CM)-UKT313D1;H2313X C(CM)-UKT313AD1;HA2313 C(CM)-UKT313ED1;HE2313X C(CM)-UKT313SD1;HS2313X	4 %32	244 9!(32	140 5!2	9.5 21	14 31

Take-up units cast housing Adapter type



Shaft dia. mm inch	Unit number ^{1) 2) 3)}	Nominal dimensions														
		mm							inch							
		N_1	L_2	H_2	N_2	N	L_3	A_1	H_1	H	L	A_2	A	r	L_1	B_1
65 2 1/8 2 1/2	UKT315D1;H2315X	36	27	132	85	46	150	26	192	216	262	55	90	102	160	73
	UKT315D1;HA2315	1 1/2	1 1/8	5 1/8	3 1/2	1 1/8	5 7/8	1.024	7 1/8	8 1/2	10 1/8	2 1/8	3 1/2	4 1/8	6 1/8	2.874
	UKT315D1;HE2315X															
70 2 11/16 2 3/4	UKT316D1;H2316X	42	30	150	98	53	160	30	204	230	282	60	102	108	174	78
	UKT316D1;HA2316	1 6/8	1 1/8	5 7/8	3 7/8	2 1/8	6 1/8	1.181	8 1/8	9 1/8	11 1/8	2 3/8	4 1/8	4 1/4	6 3/8	3.071
	UKT316D1;HE2316X															
75 2 1/2 3	UKT317D1;H2317X	42	32	152	98	53	170	32	214	240	298	64	102	115	183	82
	UKT317D1;HA2317X	1 6/8	1 1/4	5 7/8	3 7/8	2 1/8	6 1/4	1.260	8 3/8	9 7/8	11 7/8	2 1/2	4 1/8	4 1/2	7 3/8	3.228
	UKT317D1;HE2317X															
80 3 1/8	UKT318D1;H2318X	46	32	160	106	57	175	32	228	255	312	66	110	120	192	86
	UKT318D1;HA2318X	1 7/8	1 1/4	6 1/8	4 1/8	2 1/4	6 3/8	1.260	8 1/2	10 1/8	12 1/8	2 1/8	4 1/8	4 3/8	7 1/8	3.386
85 3 1/4	UKT319D1;H2319X	46	33	165	106	57	180	35	240	270	322	72	110	125	197	90
	UKT319D1;HE2319X	1 7/8	1 1/8	6 1/2	4 1/8	2 1/4	7 3/8	1.378	9 1/8	10 3/8	12 1/8	2 3/8	4 1/8	4 3/8	7 3/4	3.543
90 3 3/8 3 1/2	UKT320D1;H2320X	48	34	175	115	59	200	35	260	290	345	75	120	135	210	97
	UKT320D1;HA2320	1 7/8	1 1/8	6 3/8	4 1/2	2 3/8	7 3/8	1.378	10 1/8	11 1/8	13 1/8	2 3/8	4 3/8	5 1/8	8 1/8	3.819
	UKT320D1;HE2320X															
100	UKT322D1;H2322X	52	40	185	125	65	215	38	285	320	385	80	130	150	235	105
110	UKT324D1;H2324X	60	44	210	140	70	230	45	320	355	432	90	140	165	267	112
115	UKT326D1;H2326	65	47	220	150	75	240	50	350	385	465	100	150	180	285	121
125	UKT328D1;H2328	70	52	230	160	80	255	50	380	415	515	100	155	200	315	131

Remarks: 1) These numbers indicate relubricatable type. If maintenance free type is needed, please order without suffix "D1".

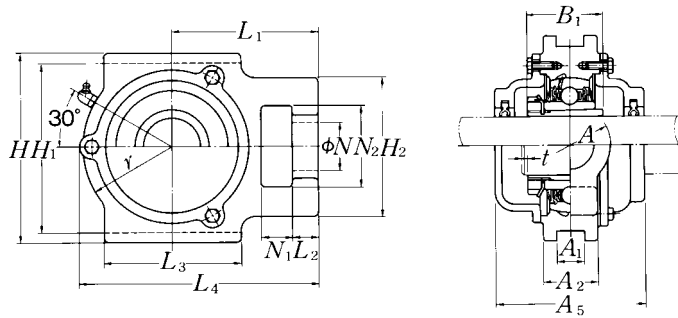
2) Adapter number with suffix "X" means a narrow slot type adapter sleeve.

In this case the lock washer with the straight inner prong should be used.

3) For HE2311XY, screw thread pitch different from the standard is applied, because of the thin thread section of sleeve.

To distinguish it, a suffix "Y" is added.

Note: Please refer to page 25 for size of grease fitting.



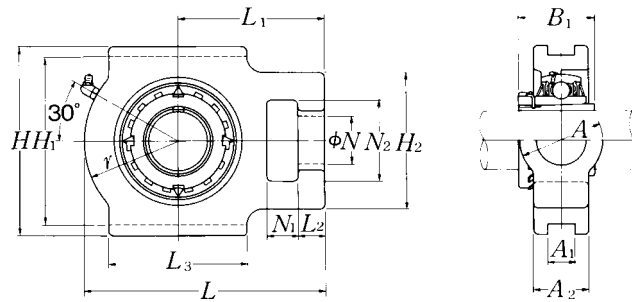
Cast dust cover type

Open end: **C-UKT...D1**

Closed end: **CM-UKT...D1**

Bearing number	Housing number	Unit number cast dust cover type	Nominal dimensions			Mass of unit	
			mm		inch	kg	lb
			<i>t</i> max.	<i>L</i> ₄	<i>A</i> ₅	UKT	C(CM)
UK315D1;H2315X	T315D1	C(CM)-UKT315D1;H2315X	4	268	150	14	19
UK315D1;HA2315	T315D1	C(CM)-UKT315AD1;HA2315	5/32	10 1/16	5 3/32	31	42
UK315D1;HE2315X	T315D1	C(CM)-UKT315ED1;HE2315X					
UK316D1;H2316X	T316D1	C(CM)-UKT316D1;H2316X	4	287	155	17	23
UK316D1;HA2316	T316D1	C(CM)-UKT316AD1;HA2316	5/32	11 1/16	6 3/32	37	51
UK316D1;HE2316X	T316D1	C(CM)-UKT316D1;HE2316X					
UK317D1;H2317X	T317D1	C(CM)-UKT317D1;H2317X	5	303	170	20	27
UK317D1;HA2317X	T317D1	C(CM)-UKT317AD1;HA2317X	1/8	11 1/16	6 1/16	44	60
UK317D1;HE2317X	T317D1	C(CM)-UKT317ED1;HE2317X					
UK318D1;H2318X	T318D1	C(CM)-UKT318D1;H2318X	5	317	170	22	31
UK318D1;HA2318X	T318D1	C(CM)-UKT318AD1;HA2318X	1/8	12 1/32	6 1/16	49	68
UK319D1;H2319X	T319D1	C(CM)-UKT319D1;H2319X	5	327	180	25	35
UK319D1;HE2319X	T319D1	C(CM)-UKT319ED1;HE2319X	1/8	12 8/8	7 3/32	55	77
UK320D1;H2320X	T320D1	C(CM)-UKT320D1;H2320X	5	350	190	33	44
UK320D1;HA2320	T320D1	C(CM)-UKT320AD1;HA2320	1/8	13 3/32	7 1/32	73	97
UK320D1;HE2320X	T320D1	C(CM)-UKT320ED1;HE2320X					
UK322D1;H2322X	T322D1	C(CM)-UKT322D1;H2322X	5	395	200	40	56
UK324D1;H2324X	T324D1	C(CM)-UKT324D1;H2324X	5	439	215	54	71
UK326D1;H2326	T326D1	C(CM)-UKT326D1;H2326	6	476	225	69	93
UK328D1;H2328	T328D1	C(CM)-UKT328D1;H2328	6	519	235	84	112

Take-up units cast housing
Adapter type



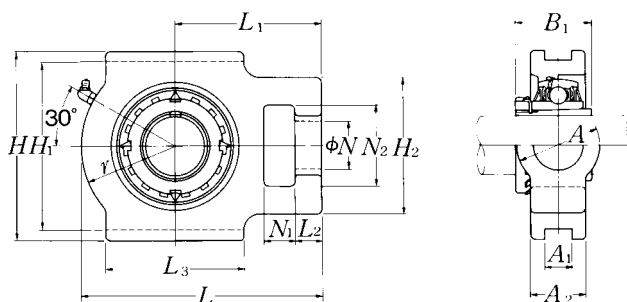
Shaft dia. mm inch	Unit number ^{1) 2) 3)}	Nominal dimensions														
		mm inch														
		N ₁	L ₂	H ₂	N ₂	N	L ₃	A ₁	H ₁	H	L	A ₂	A	r	L ₁	B ₁
20 #4	UKTX05D1;H2305X UKTX05D1;HE2305	16 5/8	12 1/2	56 2 1/4	37 1 1/2	22 7/8	57 2 1/4	12 0.472	89 3 1/2	102 4 1/2	113 4 5/8	28 1 1/8	37 1 1/2	43 1 11/16	70 2 3/4	35 1.378
25 1 #8	UKTX06D1;H2306X UKTX06D1;HS2306 UKTX06D1;HE2306X	16 5/8	15 1 1/2	64 2 1/2	37 1 1/2	22 7/8	64 2 1/2	12 0.472	89 3 1/2	102 4 1/2	129 5 1/8	30 1 1/8	37 1 1/2	51 2	78 3 1/8	38 1.496
30 1 1/8	UKTX07D1;H2307X UKTX07D1;HS2307	19 #4	17 1 1/2	83 3 1/8	49 1 11/16	29 1 1/8	83 3 1/8	16 0.630	102 4 1/8	114 4 1/2	144 5 7/8	36 1 1/2	49 1 11/16	56 2 1/8	88 3 11/16	43 1.693
35 1 1/4 1 5/8	UKTX08D1;H2308X UKTX08D1;HE2308X UKTX08D1;HS2308X	19 #4	17 1 1/2	83 3 1/8	49 1 11/16	29 1 1/8	83 3 1/8	16 0.630	102 4 1/8	117 4 1/2	144 5 7/8	36 1 1/2	49 1 11/16	57 2 1/4	87 3 3/8	46 1.811
40 1 5/16 1 1/2 1 5/8	UKTX09D1;H2309X UKTX09D1;HA2309 UKTX09D1;HE2309X UKTX09D1;HS2309X	19 #4	18 1 1/4	83 3 1/8	49 1 11/16	29 1 1/8	86 3 3/8	16 0.630	102 4 1/8	117 4 1/2	151 5 11/16	38 1 1/2	49 1 11/16	59 2 3/8	92 3 5/8	50 1.969
45 1 5/8 1 11/16 1 3/4	UKTX10D1;H2310X UKTX10D1;HS2310 UKTX10D1;HA2310 UKTX10D1;HE2310X	25 1 1/2	21 1 1/8	102 4 1/8	64 2 1/2	35 1 3/8	95 3 3/4	22 0.866	130 5 1/8	146 5 3/4	171 6 5/8	42 1 7/8	64 2 1/2	65 2 1/2	106 4 1/8	55 2.165
50 1 7/8 1 11/16 2	UKTX11D1;H2311X UKTX11D1;HS2311 UKTX11D1;HA2311 UKTX11D1;HE2311XY	32 1 1/4	21 1 1/8	102 4 1/8	64 2 1/2	35 1 3/8	102 4 1/2	22 0.866	130 5 1/8	146 5 3/4	194 7 5/8	44 1 3/4	64 2 1/2	75 2 11/16	119 4 11/16	59 2.323
55 2 1/8	UKTX12D1;H2312X UKTX12D1;HS2312	32 1 1/4	23 1 1/4	111 4 3/8	70 2 3/4	41 1 5/8	121 4 3/4	26 1.024	151 5 11/16	167 6 1/2	224 8 11/16	48 1 7/8	70 2 3/4	87 3 3/8	137 5 1/2	62 2.441
60 2 3/8 2 1/4 2 5/8	UKTX13D1;H2313X UKTX13D1;HA2313 UKTX13D1;HE2313X UKTX13D1;HS2313X	32 1 1/4	23 1 1/4	111 4 3/8	70 2 3/4	41 1 5/8	121 4 3/4	26 1.024	151 5 11/16	167 6 1/2	224 8 11/16	48 1 7/8	70 2 3/4	87 3 3/8	137 5 1/2	65 2.559

Remarks: 1) These numbers indicate relubricatable type. If maintenance free type is needed, please order without suffix "D1".
 2) Adapter number with suffix "X" means a narrow slot type adapter sleeve.
 In this case the lock washer with the straight inner prong should be used.
 3) For HE2311XY, screw thread pitch different from the standard is applied, because of the thin thread section of sleeve.
 To distinguish it, a suffix "Y" is added.

Note: Please refer to page 25 for size of grease fitting.

Bearing number	Housing number	Mass of unit	
		kg	lb
UKX05D1;H2305X	TX05D1	1.4	
UKX05D1;HE2305	TX05D1	3.1	
UKX06D1;H2306X	TX06D1	1.7	
UKX06D1;HS2306	TX06D1	3.7	
UKX06D1;HE2306X	TX06D1		
UKX07D1;H2307X	TX07D1	2.5	
UKX07D1;HS2307	TX07D1	5.5	
UKX08D1;H2308X	TX08D1	2.6	
UKX08D1;HE2308X	TX08D1	5.7	
UKX08D1;HS2308X	TX08D1		
UKX09D1;H2309X	TX09D1	2.8	
UKX09D1;HA2309	TX09D1		
UKX09D1;HE2309X	TX09D1	6.2	
UKX09D1;HS2309X	TX09D1		
UKX10D1;H2310X	TX10D1	4.2	
UKX10D1;HS2310	TX10D1		
UKX10D1;HA2310	TX10D1	9.3	
UKX10D1;HE2310X	TX10D1		
UKX11D1;H2311X	TX11D1	5.0	
UKX11D1;HS2311	TX11D1		
UKX11D1;HA2311	TX11D1	11	
UKX11D1;HE2311XY	TX11D1		
UKX12D1;H2312X	TX12D1	7.4	
UKX12D1;HS2312	TX12D1	16	
UKX13D1;H2313X	TX13D1	7.3	
UKX13D1;HA2313	TX13D1		
UKX13D1;HE2313X	TX13D1	16	
UKX13D1;HS2313X	TX13D1		

Take-up units cast housing
Adapter type



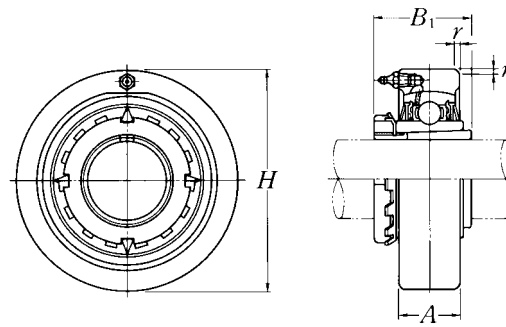
Shaft dia. mm inch	Unit number ^{1) 2) 3)}	Nominal dimensions														
		mm							inch							
		N_1	L_2	H_2	N_2	N	L_3	A_1	H_1	H	L	A_2	A	r	L_1	B_1
65 2 5/8 2 1/2	UKTX15D1;H2315X	32	23	111	70	41	121	28	165	184	235	48	70	95	140	73
	UKTX15D1;HA2315	1 1/4	9/32	4 3/8	2 7/8	1 5/8	4 7/8	1.102	6 1/2	7 1/4	9 1/4	1 8/8	2 7/8	3 7/8	5 1/2	2.874
	UKTX15D1;HE2315X															
70 2 7/8 2 7/8	UKTX16D1;H2316X	38	30	124	73	48	157	28	173	198	260	54	73	98	162	78
	UKTX16D1;HA2316	1 1/2	1 1/16	4 8/8	2 8/8	1 8/8	6 1/16	1.102	6 1/16	7 7/32	10 1/4	2 1/8	2 8/8	3 3/32	6 3/8	3.071
	UKTX16D1;HE2316X															
75 2 7/8 3	UKTX17D1;H2317X	38	30	124	73	48	157	28	173	198	260	54	73	98	162	82
	UKTX17D1;HA2317X	1 1/2	1 1/16	4 8/8	2 8/8	1 8/8	6 1/16	1.102	6 1/16	7 7/32	10 1/4	2 1/8	2 8/8	3 3/32	6 3/8	3.228
	UKTX17D1;HE2317X															

Remarks: 1) These numbers indicate relubricatable type. If maintenance free type is needed, please order without suffix "D1".
 2) Adapter number with suffix "X" means a narrow slot type adapter sleeve.
 In this case the lock washer with the straight inner prong should be used.
 3) For HE2311XY, screw thread pitch different from the standard is applied, because of the thin thread section of sleeve.
 To distinguish it, a suffix "Y" is added.

Note: Please refer to page 25 for size of grease fitting.

Bearing number	Housing number	Mass of unit	
		kg	lb
UKX15D1;H2315X	TX15D1	8.5	
UKX15D1;HA2315	TX15D1	19	
UKX15D1;HE2315X	TX15D1		
UKX16D1;H2316X	TX16D1	11	
UKX16D1;HA2316	TX16D1	24	
UKX16D1;HE2316X	TX16D1		
UKX17D1;H2317X	TX17D1	12	
UKX17D1;HA2317X	TX17D1	26	
UKX17D1;HE2317X	TX17D1		

Cylindrical cartridge units cast housing Adapter type



Shaft dia. mm inch	Unit number ^{1) 2) 3)}	Nominal dimensions				Bearing number	Housing number	Mass of unit kg lb
		H	A	r	B ₁			
20 #4	UKC205D1;H2305X	80	22	2	35	UK205D1;H2305X	C205D1	0.8
	UKC205D1;HE2305	3.1496	0.864	0.079	1.378	UK205D1;HE2305	C205D1	1.8
25 #8 1	UKC206D1;H2306X	85	27	2	38	UK206D1;H2306X	C206D1	0.9
	UKC206D1;HS2306	3.3465	1.06	0.079	1.496	UK206D1;HS2306	C206D1	2.0
	UKC206D1;HE2306X					UK206D1;HE2306X	C206D1	
30 1#8	UKC207D1;H2307X	90	28	2	43	UK207D1;H2307X	C207D1	1.1
	UKC207D1;HS2307	3.5433	1.064	0.079	1.693	UK207D1;HS2307	C207D1	2.4
35 1#4 1#8	UKC208D1;H2308X	100	30	2.5	46	UK208D1;H2308X	C208D1	1.4
	UKC208D1;HE2308X	3.9370	1.176	0.098	1.811	UK208D1;HE2308X	C208D1	3.1
	UKC208D1;HS2308X					UKC208D1;HS2308X	C208D1	
40 1#7/8 1#2 1#8	UKC209D1;H2309X	110	31	2.5	50	UK209D1;H2309X	C209D1	1.7
	UKC209D1;HA2309					UK209D1;HA2309	C209D1	
	UKC209D1;HE2309X	4.3307	1.22	0.098	1.969	UK209D1;HE2309X	C209D1	3.7
	UKC209D1;HS2309X					UK209D1;HS2309X	C209D1	
45 1#8 1#1/2 1#4	UKC210D1;H2310X	120	33	2.5	55	UK210D1;H2310X	C210D1	2.1
	UKC210D1;HS2310					UK210D1;HS2310	C210D1	
	UKC210D1;HA2310	4.7244	1.26	0.098	2.165	UK210D1;HA2310	C210D1	4.6
	UKC210D1;HE2310X					UK210D1;HE2310X	C210D1	
50 1#8 1#1/2 2	UKC211D1;H2311X	125	35	2.5	59	UK211D1;H2311X	C211D1	2.4
	UKC211D1;HS2311					UK211D1;HS2311	C211D1	
	UKC211D1;HA2311	4.9213	1.38	0.098	2.323	UK211D1;HA2311	C211D1	5.3
	UKC211D1;HE2311XY					UK211D1;HE2311XY	C211D1	
55 2#8	UKC212D1;H2312X	130	38	2.5	62	UK212D1;H2312X	C212D1	2.6
	UKC212D1;HS2312	5.1181	1.5	0.098	2.441	UK212D1;HS2312	C212D1	5.7
60 2#7/8 2#4 2#8	UKC213D1;H2313X	140	40	3	65	UK213D1;H2313X	C213D1	3.2
	UKC213D1;HA2313					UK213D1;HA2313	C213D1	
	UKC213D1;HE2313X	5.5118	1.564	0.118	2.559	UK213D1;HE2313X	C213D1	7.1
	UKC213D1;HS2313X					UK213D1;HS2313X	C213D1	

Remarks: 1) These numbers indicate relubricatable type. If maintenance free type is needed, please order without suffix "D1".

2) Adapter number with suffix "X" means a narrow slot type adapter sleeve.

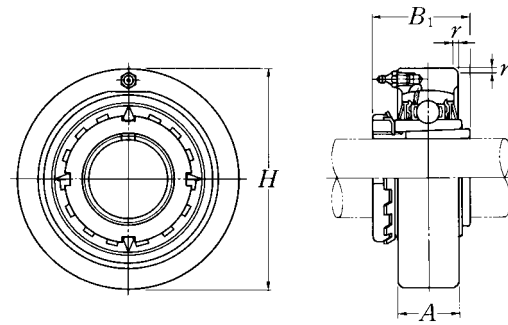
In this case the lock washer with the straight inner prong should be used.

3) For HE2311XY, screw thread pitch different from the standard is applied, because of the thin thread section of sleeve.

To distinguish it, a suffix "Y" is added.

Note: Please refer to page 25 for size of grease fitting.

Cylindrical cartridge units cast housing Adapter type



Shaft dia.	Unit number ^{1) 2) 3)}	Nominal dimensions				Bearing number	Housing number	Mass of unit
		mm	inch	mm	inch			
mm inch		<i>H</i>	<i>A</i>	<i>r</i>	<i>B₁</i>			kg lb
20 #4	UKC305D1;H2305X	90	26	2.5	35	UK305D1;H2305X	C305D1	1.2
	UKC305D1;HE2305	3.5433	1.024	0.098	1.378	UK305D1;HE2305	C305D1	2.6
25 #8 1	UKC306D1;H2306X	100	28	2.5	38	UK306D1;H2306X	C306D1	1.4
	UKC306D1;HS2306	3.9370	1.094	0.098	1.496	UK306D1;HS2306	C306D1	3.1
	UKC306D1;HE2306X					UK306D1;HE2306X	C306D1	
30 1#8	UKC307D1;H2307X	110	32	3	43	UK307D1;H2307X	C307D1	1.8
	UKC307D1;HS2307	4.3307	1.260	0.118	1.693	UK307D1;HS2307	C307D1	4.0
35 1#4 1#8	UKC308D1;H2308X	120	34	3	46	UK308D1;H2308X	C308D1	2.2
	UKC308D1;HE2308X	4.7244	1.312	0.118	1.811	UK308D1;HE2308X	C308D1	4.9
	UKC308D1;HS2308X					UK308D1;HS2308X	C308D1	
40 1#7/8 1#2 1#8	UKC309D1;H2309X	130	38	3.5	50	UK309D1;H2309X	C309D1	2.8
	UKC309D1;HA2309					UK309D1;HA2309	C309D1	
	UKC309D1;HE2309X	5.1181	1.5	0.138	1.969	UK309D1;HE2309X	C309D1	6.2
	UKC309D1;HS2309X					UK309D1;HS2309X	C309D1	
45 1#8 1#1 7/8 1#4	UKC310D1;H2310X	140	40	3.5	55	UK310D1;H2310X	C310D1	3.3
	UKC310D1;HS2310					UK310D1;HS2310	C310D1	
	UKC310D1;HA2310	5.5118	1.575	0.138	2.165	UK310D1;HA2310	C310D1	7.3
	UKC310D1;HE2310X					UK310D1;HE2310X	C310D1	
50 1#8 1#1 7/8 2	UKC311D1;H2311X	150	44	3.5	59	UK311D1;H2311X	C311D1	3.9
	UKC311D1;HS2311					UK311D1;HS2311	C311D1	
	UKC311D1;HA2311	5.9055	1.740	0.138	2.323	UK311D1;HA2311	C311D1	8.6
	UKC311D1;HE2311XY					UK311D1;HE2311XY	C311D1	
55 2#8	UKC312D1;H2312X	160	46	3.5	62	UK312D1;H2312X	C312D1	4.7
	UKC312D1;HS2312	6.2992	1.811	0.138	2.441	UK312D1;HS2312	C312D1	10
60 2#7/8 2#4 2#8	UKC313D1;H2313X	170	50	3.5	65	UK313D1;H2313X	C313D1	5.6
	UKC313D1;HA2313					UK313D1;HA2313	C313D1	
	UKC313D1;HE2313X	6.6929	1.968	0.138	2.559	UK313D1;HE2313X	C313D1	12
	UKC313D1;HS2313X					UK313D1;HS2313X	C313D1	

Remarks: 1) These numbers indicate relubricatable type. If maintenance free type is needed, please order without suffix "D1".

2) Adapter number with suffix "X" means a narrow slot type adapter sleeve.

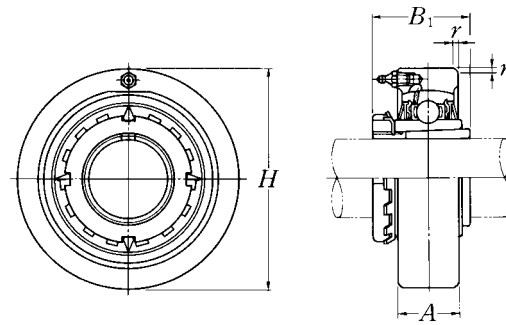
In this case the lock washer with the straight inner prong should be used.

3) For HE2311XY, screw thread pitch different from the standard is applied, because of the thin thread section of sleeve.

To distinguish it, a suffix "Y" is added.

Note: Please refer to page 25 for size of grease fitting.

Cylindrical cartridge units cast housing Adapter type



Shaft dia.	Unit number ^{1) 2) 3)}	Nominal dimensions				Bearing number	Housing number	Mass of unit
		H	A	r	B ₁			
mm inch		mm	inch				kg lb	
65	UKC315D1;H2315X	190	55	4	73	UK315D1;H2315X	C315D1	7.9
2 1/8	UKC315D1;HA2315	7.4803	2 1/8	0.157	2.874	UK315D1;HA2315	C315D1	17
2 1/2	UKC315D1;HE2315X					UK315D1;HE2315X	C315D1	
70	UKC316D1;H2316X	200	60	4	78	UK316D1;H2316X	C316D1	9.2
2 3/8	UKC316D1;HA2316	7.8740	2 3/8	0.157	3.071	UK316D1;HA2316	C316D1	20
2 3/4	UKC316D1;HE2316X					UK316D1;HE2316X	C316D1	
75	UKC317D1;H2317X	215	64	4	82	UK317D1;H2317X	C317D1	11
2 7/8	UKC317D1;HA2317X	8.4646	2 7/8	0.157	3.228	UK317D1;HA2317X	C317D1	24
3	UKC317D1;HE2317X					UK317D1;HE2317X	C317D1	
80	UKC318D1;H2318X	225	66	4	86	UK318D1;H2318X	C318D1	13
3 1/8	UKC318D1;HA2318X	8.8583	2 5/8	0.157	3.386	UK318D1;HA2318X	C318D1	29
85	UKC319D1;H2319X	240	72	4	90	UK319D1;H2319X	C319D1	16
3 1/4	UKC319D1;HE2319X	9.4488	2 7/8	0.157	3.543	UK319D1;HE2319X	C319D1	35
90	UKC320D1;H2320X	260	75	4	97	UK320D1;H2320X	C320D1	20
3 5/8	UKC320D1;HA2320	10.2362	2 7/8	0.157	3.819	UK320D1;HA2320	C320D1	44
3 1/2	UKC320D1;HE2320X					UK320D1;HE2320X	C320D1	
100	UKC322D1;H2322X	300	80	5	105	UK322D1;H2322X	C322D1	29
110	UKC324D1;H2324X	320	90	5	112	UK324D1;H2324X	C324D1	35
115	UKC326D1;H2326	340	100	5	121	UK326D1;H2326	C326D1	43
125	UKC328D1;H2328	360	100	5	131	UK328D1;H2328	C328D1	49

Remarks: 1) These numbers indicate relubricatable type. If maintenance free type is needed, please order without suffix "D1".

2) Adapter number with suffix "X" means a narrow slot type adapter sleeve.

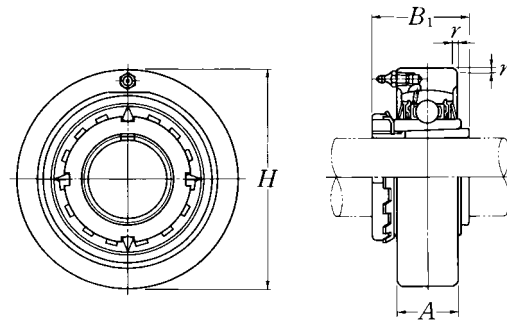
In this case the lock washer with the straight inner prong should be used.

3) For HE2311XY, screw thread pitch different from the standard is applied, because of the thin thread section of sleeve.

To distinguish it, a suffix "Y" is added.

Note: Please refer to page 25 for size of grease fitting.

Cylindrical cartridge units cast housing Adapter type



Shaft dia.	Unit number ^{1) 2) 3)}	Nominal dimensions				Bearing number	Housing number	Mass of unit
		mm	inch	mm	inch			
mm		<i>H</i>	<i>A</i>	<i>r</i>	<i>B</i> ₁			kg
inch								lb
20	UKCX05D1;H2305X	90	27	2	35	UKX05D1;H2305X	CX05D1	1.1
#4	UKCX05D1;HE2305	3.5433	1.063	0.079	1.378	UKX05D1;HE2305	CX05D1	2.4
25	UKCX06D1;H2306X	100	30	2.5	38	UKX06D1;H2306X	CX06D1	1.4
5/8	UKCX06D1;HS2306	3.9370	1.181	0.098	1.496	UKX06D1;HS2306	CX06D1	3.1
1	UKCX06D1;HE2306X					UKX06D1;HE2306X	CX06D1	
30	UKCX07D1;H2307X	110	34	2.5	43	UKX07D1;H2307X	CX07D1	1.9
1 1/8	UKCX07D1;HS2307	4.3307	1.312	0.098	1.693	UKX07D1;HS2307	CX07D1	4.2
35	UKCX08D1;H2308X	120	38	2.5	46	UKX08D1;H2308X	CX08D1	2.5
1 1/4	UKCX08D1;HE2308X	4.7244	1.181	0.098	1.811	UKX08D1;HE2308X	CX08D1	5.5
1 5/8	UKCX08D1;HS2308X					UKX08D1;HS2308X	CX08D1	
40	UKCX09D1;H2309X	120	38	2.5	50	UKX09D1;H2309X	CX09D1	2.4
1 5/16	UKCX09D1;HA2309	4.7244	1.181	0.098	1.969	UKX09D1;HA2309	CX09D1	5.3
1 1/2	UKCX09D1;HE2309X					UKX09D1;HE2309X	CX09D1	
1 5/8	UKCX09D1;HS2309X					UKX09D1;HS2309X	CX09D1	
45	UKCX10D1;H2310X	130	40	2.5	55	UKX10D1;H2310X	CX10D1	2.9
1 3/8	UKCX10D1;HS2310	5.1181	1.260	0.098	2.165	UKX10D1;HS2310	CX10D1	6.4
1 11/16	UKCX10D1;HA2310					UKX10D1;HA2310	CX10D1	
1 7/8	UKCX10D1;HE2310X					UKX10D1;HE2310X	CX10D1	
50	UKCX11D1;H2311X	150	42	3	59	UKX11D1;H2311X	CX11D1	4.2
1 3/4	UKCX11D1;HS2311	5.9055	1.260	0.118	2.323	UKX11D1;HS2311	CX11D1	9.3
1 15/16	UKCX11D1;HA2311					UKX11D1;HA2311	CX11D1	
2	UKCX11D1;HE2311XY					UKX11D1;HE2311X	CX11D1	
55	UKCX12D1;H2312X	160	44	3	62	UKX12D1;H2312X	CX12D1	4.8
2 1/8	UKCX12D1;HS2312	6.2992	1.346	0.118	2.441	UKX12D1;HS2312	CX12D1	11

Remarks: 1) These numbers indicate relubricatable type. If maintenance free type is needed, please order without suffix "D1".

2) Adapter number with suffix "X" means a narrow slot type adapter sleeve.

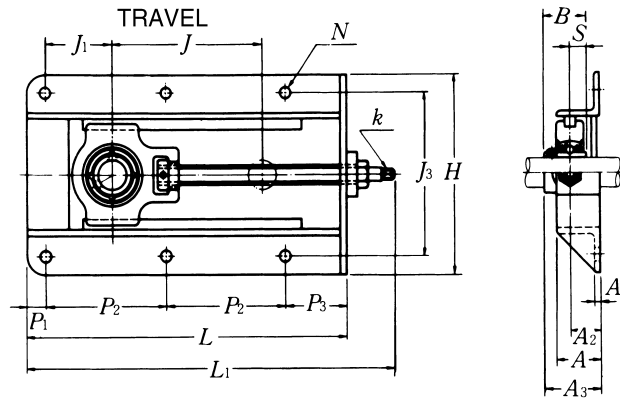
In this case the lock washer with the straight inner prong should be used.

3) For HE2311XY, screw thread pitch different from the standard is applied, because of the thin thread section of sleeve.

To distinguish it, a suffix "Y" is added.

Note: Please refer to page 25 for size of grease fitting.

Take-up stretcher units
Set screw type

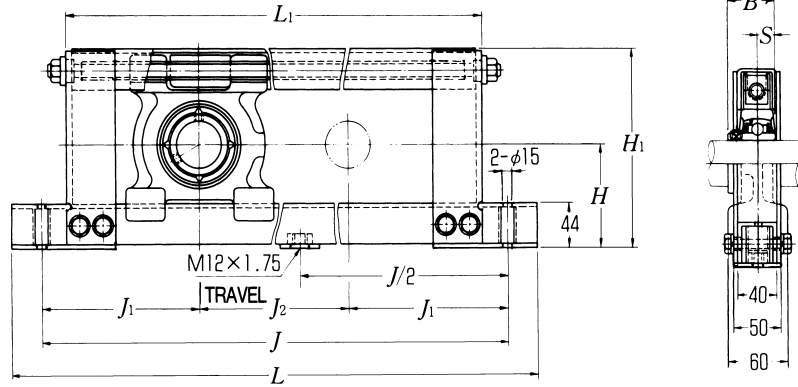


Shaft dia. mm	Unit ¹⁾ number	Nominal dimensions																
		L	H	J ¹⁾	J ₁	J ₃	A ₁	A ₂	A	mm P ₁	P ₂	P ₃	N	L ₁	A ₃	B	S	k square
12	UCT201-15	317	199	150	64	154	6	30	50	19	117	64	12	370	48.3	31	12.7	9
15	UCT202-15	317	199	150	64	154	6	30	50	19	117	64	12	370	48.3	31	12.7	9
17	UCT203-15	317	199	150	64	154	6	30	50	19	117	64	12	370	48.3	31	12.7	9
20	UCT204-15	317	199	150	64	154	6	30	50	19	117	64	12	370	48.3	31	12.7	9
25	UCT205-15	317	199	150	63	154	6	30	50	19	117	64	12	370	49.8	34.1	14.3	9
30	UCT206-15	337	212	150	73	166	6	32	50	19	127	64	12	393	54.2	38.1	15.9	10
35	UCT207-23	429	212	230	80	166	6	32	50	19	173	64	12	485	57.4	42.9	17.5	10
40	UCT208-30	520	233	300	88	192	6	32	50	22	217	64	12	593	62.2	49.2	19	15
45	UCT209-30	520	233	300	88	192	6	32	50	22	217	64	12	593	62.2	49.2	19	15
50	UCT210-30	524	233	300	92	192	6	35	50	22	219	64	15	597	67.6	51.6	19	15
55	UCT211-30	542	285	300	90	240	8	38	65	22	230	60	15	626	71.4	55.6	22.2	17
60	UCT212-30	568	285	300	101	240	8	38	65	22	243	60	15	652	77.7	65.1	25.4	17
65	UCT213-30	606	306	300	109	260	8	43	65	22	260	64	15	700	82.7	65.1	25.4	23

Remarks: If relubricatable type is needed, please order with suffix "D1".

Bolt size	Max. load recommended N	Bearing number	Basic load ratings		Mass of unit kg
			dynamic C_r	static C_{or}	
M10	14 700	UC201D1	12 800	6 650	6.4
M10	14 700	UC202D1	12 800	6 650	6.3
M10	14 700	UC203D1	12 800	6 650	6.3
M10	14 700	UC204D1	12 800	6 650	6.3
M10	14 700	UC205D1	14 000	7 850	6.5
M10	14 700	UC206D1	19 500	11 300	7.6
M10	14 700	UC207D1	25 700	15 300	9.2
M10	34 300	UC208D1	29 100	17 800	13
M10	34 300	UC209D1	32 500	20 400	16
M12	34 300	UC210D1	35 000	23 200	16
M12	49 000	UC211D1	43 500	29 200	22
M12	49 000	UC212D1	52 500	36 000	25
M12	44 100	UC213D1	57 500	40 000	33

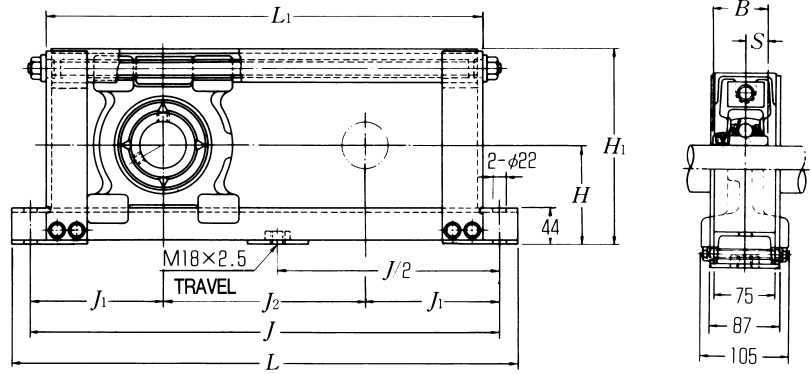
Type L stretcher units
Set screw type



Shaft dia. mm	Unit ¹⁾ number	Nominal dimensions									Bolt size	Max. load recommended N	Bearing number	Basic load ratings		Mass of unit kg
		H	L	J	J ₂	mm L ₁	J ₁	H ₁	B	S				N dynamic C _r	N static C _{0r}	
20	UCL204-10	77	430	370	100	320	135	146	31	12.7	M12	1 960	UC204D1	12 800	6 650	6.0
	UCL204-20	77	530	470	200	420	135	146	31	12.7	M12	1 960	UC204D1	12 800	6 650	6.8
	UCL204-30	77	630	570	300	520	135	146	31	12.7	M12	1 960	UC204D1	12 800	6 650	7.5
	UCL204-40	77	730	670	400	620	135	146	31	12.7	M12	1 960	UC204D1	12 800	6 650	8.2
25	UCL205-10	82	440	380	100	330	140	156	34.1	14.3	M12	2 250	UC205D1	14 000	7 850	6.4
	UCL205-20	82	540	480	200	430	140	156	34.1	14.3	M12	2 250	UC205D1	14 000	7 850	7.1
	UCL205-30	82	640	580	300	530	140	156	34.1	14.3	M12	2 250	UC205D1	14 000	7 850	7.8
	UCL205-40	82	740	680	400	630	140	156	34.1	14.3	M12	2 250	UC205D1	14 000	7 850	8.4
30	UCL206-10	87	450	390	100	340	145	166	38.1	15.9	M12	3 230	UC206D1	19 500	11 300	7.0
	UCL206-20	87	550	490	200	440	145	166	38.1	15.9	M12	3 230	UC206D1	19 500	11 300	7.7
	UCL206-30	87	650	590	300	540	145	166	38.1	15.9	M12	3 230	UC206D1	19 500	11 300	8.4
	UCL206-40	87	750	690	400	640	145	166	38.1	15.9	M12	3 230	UC206D1	19 500	11 300	9.2
35	UCL207-10	92	460	400	100	350	150	176	42.9	17.5	M12	4 210	UC207D1	25 700	15 300	7.5
	UCL207-20	92	560	500	200	450	150	176	42.9	17.5	M12	4 210	UC207D1	25 700	15 300	8.2
	UCL207-30	92	660	600	300	550	150	176	42.9	17.5	M12	4 210	UC207D1	25 700	15 300	8.9
	UCL207-40	92	760	700	400	650	150	176	42.9	17.5	M12	4 210	UC207D1	25 700	15 300	9.7
40	UCL208-10	97	470	410	100	360	155	186	49.2	19	M12	4 500	UC208D1	29 100	17 800	8.2
	UCL208-20	97	570	510	200	460	155	186	49.2	19	M12	4 500	UC208D1	29 100	17 800	8.9
	UCL208-30	97	670	610	300	560	155	186	49.2	19	M12	4 500	UC208D1	29 100	17 800	9.5
	UCL208-40	97	770	710	400	660	155	186	49.2	19	M12	4 500	UC208D1	29 100	17 800	10.1
45	UCL209-10	100	480	420	100	370	160	192	49.2	19	M12	4 500	UC209D1	32 500	20 400	8.8
	UCL209-20	100	580	520	200	470	160	192	49.2	19	M12	4 500	UC209D1	32 500	20 400	9.4
	UCL209-30	100	680	620	300	570	160	192	49.2	19	M12	4 500	UC209D1	32 500	20 400	10.0
	UCL209-40	100	780	720	400	670	160	192	49.2	19	M12	4 500	UC209D1	32 500	20 400	11.1

Remarks: If relubricatable type is needed, please order with suffix "D1".

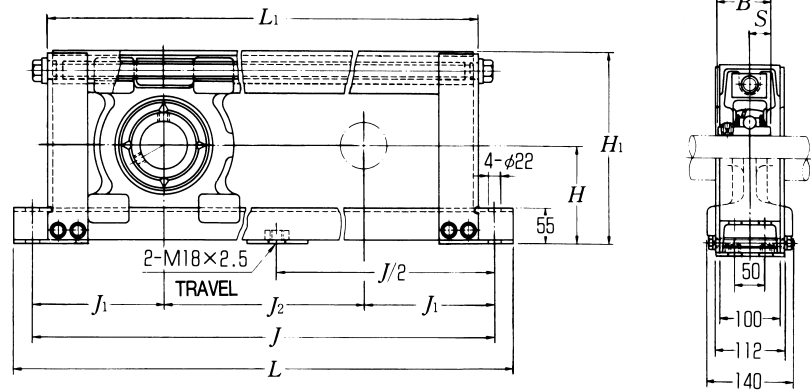
Type M stretcher units
Set screw type



Shaft dia. mm	Unit ¹⁾ number	Nominal dimensions									Bolt size	Max. load recommended N	Bearing number	Basic load ratings		Mass of unit kg
		H	L	J	J ₂	mm L ₁	J ₁	H ₁	B	S				dynamic C _t	static C _{0r}	
40	UCM208-50	97	870	810	500	760	155	190	49.2	19	M18	5 190	UC208D1	29 100	17 800	20
	UCM208-60	97	970	910	600	860	155	190	49.2	19	M18	5 190	UC208D1	29 100	17 800	22
	UCM208-70	97	1 070	1 010	700	960	155	190	49.2	19	M18	5 190	UC208D1	29 100	17 800	23
	UCM208-80	97	1 170	1 110	800	1 060	155	190	49.2	19	M18	5 190	UC208D1	29 100	17 800	24
	UCM208-90	97	1 270	1 210	900	1 160	155	190	49.2	19	M18	5 190	UC208D1	29 100	17 800	30
45	UCM209-50	102	880	820	500	770	160	200	49.2	19	M18	5 880	UC209D1	32 500	20 400	21
	UCM209-60	102	980	920	600	870	160	200	49.2	19	M18	5 880	UC209D1	32 500	20 400	23
	UCM209-70	102	1 080	1 020	700	970	160	200	49.2	19	M18	5 880	UC209D1	32 500	20 400	24
	UCM209-80	102	1 180	1 120	800	1 070	160	200	49.2	19	M18	5 880	UC209D1	32 500	20 400	30
	UCM209-90	102	1 280	1 220	900	1 170	160	200	49.2	19	M18	5 880	UC209D1	32 500	20 400	32
50	UCM210-50	107	890	830	500	780	165	210	51.6	19	M18	6 460	UC210D1	35 000	23 200	23
	UCM210-60	107	990	930	600	880	165	210	51.6	19	M18	6 460	UC210D1	35 000	23 200	24
	UCM210-70	107	1 090	1 030	700	980	165	210	51.6	19	M18	6 460	UC210D1	35 000	23 200	30
	UCM210-80	107	1 190	1 130	800	1 080	165	210	51.6	19	M18	6 460	UC210D1	35 000	23 200	32
	UCM210-90	107	1 290	1 230	900	1 180	165	210	51.6	19	M18	6 460	UC210D1	35 000	23 200	33
55	UCM211-50	115	910	850	500	800	175	230	55.6	22.2	M18	6 460	UC211D1	43 500	29 200	25
	UCM211-60	115	1 010	950	600	900	175	230	55.6	22.2	M18	6 460	UC211D1	43 500	29 200	27
	UCM211-70	115	1 110	1 050	700	1 000	175	230	55.6	22.2	M18	6 460	UC211D1	43 500	29 200	32
	UCM211-80	115	1 210	1 150	800	1 100	175	230	55.6	22.2	M18	6 460	UC211D1	43 500	29 200	34
	UCM211-90	115	1 310	1 250	900	1 200	175	230	55.6	22.2	M18	6 460	UC211D1	43 500	29 200	36
60	UCM212-50	120	920	860	500	810	180	240	65.1	25.4	M18	6 460	UC212D1	52 500	36 000	26
	UCM212-60	120	1 020	960	600	910	180	240	65.1	25.4	M18	6 460	UC212D1	52 500	36 000	29
	UCM212-70	120	1 120	1 060	700	1 010	180	240	65.1	25.4	M18	6 460	UC212D1	52 500	36 000	35
	UCM212-80	120	1 220	1 160	800	1 110	180	240	65.1	25.4	M18	6 460	UC212D1	52 500	36 000	36
	UCM212-90	120	1 320	1 260	900	1 210	180	240	65.1	25.4	M18	6 460	UC212D1	52 500	36 000	38
65	UCM213-50	125	940	880	500	830	190	250	65.1	25.4	M18	6 460	UC213D1	57 500	40 000	30
	UCM213-60	125	1 040	980	600	930	190	250	65.1	25.4	M18	6 460	UC213D1	57 500	40 000	31
	UCM213-70	125	1 140	1 080	700	1 030	190	250	65.1	25.4	M18	6 460	UC213D1	57 500	40 000	36
	UCM213-80	125	1 240	1 180	800	1 130	190	250	65.1	25.4	M18	6 460	UC213D1	57 500	40 000	38
	UCM213-90	125	1 340	1 280	900	1 230	190	250	65.1	25.4	M18	6 460	UC213D1	57 500	40 000	40

Remarks: If relubricatable type is needed, please order with suffix "D1".

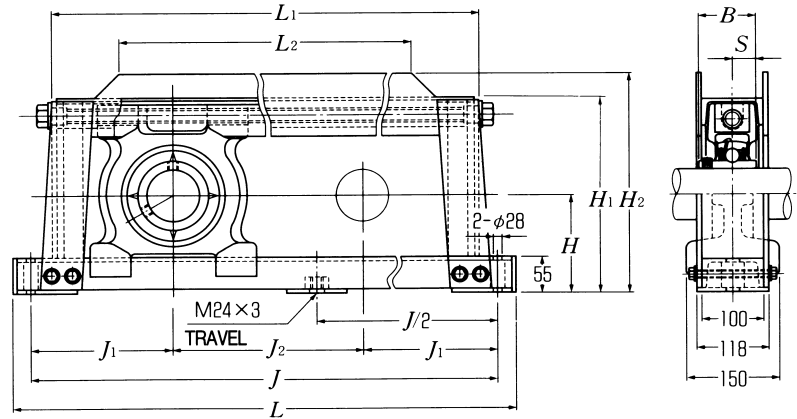
Type M stretcher units
Set screw type



Shaft dia. mm	Unit ¹⁾ number	Nominal dimensions										Bolt size	Max. load recommended N	Bearing number	Basic load ratings		Mass of unit kg
		H	L	J	J ₂	L ₁	J ₁	H ₁	B	S	dynamic C _r				static C _{0r}		
65	UCM313-50	145	940	880	500	830	190	285	75	30	M18	16 260	UC313D1	92 500	60 000	47	
	UCM313-60	145	1 040	980	600	930	190	285	75	30	M18	16 260	UC313D1	92 500	60 000	50	
	UCM313-70	145	1 140	1 080	700	1 030	190	285	75	30	M18	16 260	UC313D1	92 500	60 000	53	
	UCM313-80	145	1 240	1 180	800	1 130	190	285	75	30	M18	16 260	UC313D1	92 500	60 000	55	
	UCM313-90	145	1 340	1 280	900	1 230	190	285	75	30	M18	16 260	UC313D1	92 500	60 000	58	
70	UCM314-50	150	960	900	500	850	200	295	78	33	M18	19 600	UC314D1	104 000	68 000	49	
	UCM314-60	150	1 060	1 000	600	950	200	295	78	33	M18	19 600	UC314D1	104 000	68 000	52	
	UCM314-70	150	1 160	1 100	700	1 050	200	295	78	33	M18	19 600	UC314D1	104 000	68 000	55	
	UCM314-80	150	1 260	1 200	800	1 150	200	295	78	33	M18	19 600	UC314D1	104 000	68 000	58	
	UCM314-90	150	1 360	1 300	900	1 250	200	295	78	33	M18	19 600	UC314D1	104 000	68 000	61	
75	UCM315-50	155	980	920	500	870	210	305	82	32	M18	19 600	UC315D1	113 000	77 000	52	
	UCM315-60	155	1 080	1 020	600	970	210	305	82	32	M18	19 600	UC315D1	113 000	77 000	55	
	UCM315-70	155	1 180	1 120	700	1 070	210	305	82	32	M18	19 600	UC315D1	113 000	77 000	58	
	UCM315-80	155	1 280	1 220	800	1 170	210	305	82	32	M18	19 600	UC315D1	113 000	77 000	60	
	UCM315-90	155	1 380	1 320	900	1 270	210	305	82	32	M18	19 600	UC315D1	113 000	77 000	63	
80	UCM316-50	160	1 000	940	500	890	220	315	86	34	M18	19 600	UC316D1	123 000	86 500	54	
	UCM316-60	160	1 100	1 040	600	990	220	315	86	34	M18	19 600	UC316D1	123 000	86 500	57	
	UCM316-70	160	1 200	1 140	700	1 090	220	315	86	34	M18	19 600	UC316D1	123 000	86 500	60	
	UCM316-80	160	1 300	1 240	800	1 190	220	315	86	34	M18	19 600	UC316D1	123 000	86 500	63	
	UCM316-90	160	1 400	1 340	900	1 290	220	315	86	34	M18	19 600	UC316D1	123 000	86 500	66	
85	UCM317-50	165	1 020	960	500	910	230	325	96	40	M18	19 600	UC317D1	133 000	97 000	60	
	UCM317-60	165	1 120	1 060	600	1 010	230	325	96	40	M18	19 600	UC317D1	133 000	97 000	63	
	UCM317-70	165	1 220	1 160	700	1 110	230	325	96	40	M18	19 600	UC317D1	133 000	97 000	65	
	UCM317-80	165	1 320	1 260	800	1 210	230	325	96	40	M18	19 600	UC317D1	133 000	97 000	68	
	UCM317-90	165	1 420	1 360	900	1 310	230	325	96	40	M18	19 600	UC317D1	133 000	97 000	71	
90	UCM318-50	170	1 050	990	500	940	245	335	96	40	M18	19 600	UC318D1	143 000	107 000	65	
	UCM318-60	170	1 150	1 090	600	1 040	245	335	96	40	M18	19 600	UC318D1	143 000	107 000	68	
	UCM318-70	170	1 250	1 190	700	1 140	245	335	96	40	M18	19 600	UC318D1	143 000	107 000	71	
	UCM318-80	170	1 350	1 290	800	1 240	245	335	96	40	M18	19 600	UC318D1	143 000	107 000	74	
	UCM318-90	170	1 450	1 390	900	1 340	245	335	96	40	M18	19 600	UC318D1	143 000	107 000	77	

Remarks: If relubricatable type is needed, please order with suffix "D1".

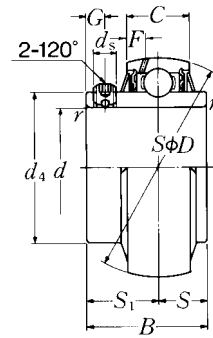
Type M stretcher units
Set screw type



Shaft dia. mm	Unit ¹⁾ number	Nominal dimensions												Bolt size	Max. load recommended N	Bearing number	Basic load ratings		Mass of unit kg
		H	L	J	J ₂	mm L ₁ L ₂		J ₁	H ₁	H ₂	B	S	dynamic C _t				static C _{0r}		
95	UCM319-50	185	1 180	1 100	500	1 021	775	300	377	400	103	41	M24	19 600	UC319D1	153 000	119 000	105	
	UCM319-60	185	1 280	1 200	600	1 121	875	300	377	400	103	41	M24	19 600	UC319D1	153 000	119 000	109	
	UCM319-70	185	1 380	1 300	700	1 221	975	300	377	400	103	41	M24	19 600	UC319D1	153 000	119 000	112	
	UCM319-80	185	1 480	1 400	800	1 321	1 075	300	377	400	103	41	M24	19 600	UC319D1	153 000	119 000	116	
	UCM319-90	185	1 580	1 500	900	1 421	1 175	300	377	400	103	41	M24	19 600	UC319D1	153 000	119 000	120	
100	UCM320-50	200	1 220	1 140	500	1 063	809	320	403	430	108	42	M24	19 600	UC320D1	173 000	141 000	99	
	UCM320-60	200	1 320	1 240	600	1 163	909	320	403	430	108	42	M24	19 600	UC320D1	173 000	141 000	123	
	UCM320-70	200	1 420	1 340	700	1 263	1 009	320	403	430	108	42	M24	19 600	UC320D1	173 000	141 000	126	
	UCM320-80	200	1 520	1 440	800	1 363	1 109	320	403	430	108	42	M24	19 600	UC320D1	173 000	141 000	130	
	UCM320-90	200	1 620	1 540	900	1 463	1 209	320	403	430	108	42	M24	19 600	UC320D1	173 000	141 000	134	

Remarks: If relubricatable type is needed, please order with suffix "D1".

Ball bearings Set screw type

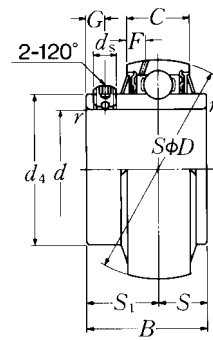


Shaft dia. mm inch	Bearing number ¹⁾	Nominal dimensions										
		<i>d</i>	<i>D</i>	<i>B</i>	<i>C</i>	<i>r</i> _s mm min.	<i>S</i>	inch <i>S</i> ₁	<i>G</i>	<i>d</i> _s	<i>d</i> ₁	<i>F</i>
12 1/2	UC201D1 UC201-008D1	12 0.5000	47 1.8504	31 1.2205	17 0.6693	0.6 0.024	12.7 0.500	18.3 0.720	4.5 0.177	M5 × 0.8 No.10-32UNF	29.6 1.1654	4.7 0.185
15 5/8	UC202D1 UC202-009D1 UC202-010D1	15 0.5625 0.6250	47 1.8504	31 1.2205	17 0.6693	0.6 0.024	12.7 0.500	18.3 0.720	4.5 0.177	M5 × 0.8 No.10-32UNF	29.6 1.1654	4.7 0.185
17 1 1/8	UC203D1 UC203-011D1	17 0.6875	47 1.8504	31 1.2205	17 0.6693	0.6 0.024	12.7 0.500	18.3 0.720	4.5 0.177	M5 × 0.8 No.10-32UNF	29.6 1.1654	4.7 0.185
20 3/4	UC204D1 UC204-012D1	20 0.7500	47 1.8504	31 1.2205	17 0.6693	1 0.039	12.7 0.500	18.3 0.720	4.5 0.177	M5 × 0.8 No.10-32UNF	29.6 1.1654	4.7 0.185
25 1 3/8 1 1/4 1	UC205D1 UC205-013D1 UC205-014D1 UC205-015D1 UC205-100D1	25 0.8125 0.8750 0.9375 1.0000	52 2.0472	34.1 1.3425	17 0.6693	1 0.039	14.3 0.563	19.8 0.780	5 0.197	M5 × 0.8 No.10-32UNF	33.9 1.3346	4.5 0.177
30 1 1/8 1 1/4 1 3/8 1 1/2	UC206D1 UC206-101D1 UC206-102D1 UC206-103D1 UC206-104D1	30 1.0625 1.1250 1.1875 1.2500	62 2.4409	38.1 1.5000	19 0.7480	1 0.039	15.9 0.626	22.2 0.874	5 0.197	M6 × 0.75 1/4-28UNF	40.8 1.6063	4.6 0.181
35 1 3/8 1 1/2 1 3/4	UC207D1 UC207-104D1 UC207-105D1 UC207-106D1 UC207-107D1	35 1.2500 1.3125 1.3750 1.4375	72 2.8346	42.9 1.6890	20 0.7874	1.5 0.059	17.5 0.689	25.4 1.000	6 0.236	M6 × 0.75 1/4-28UNF	46.8 1.8425	4.6 0.181
40 1 1/2 1 3/4	UC208D1 UC208-108D1 UC208-109D1	40 1.5000 1.5625	80 3.1496	49.2 1.9370	21 0.8268	1.5 0.059	19 0.748	30.2 1.189	8 0.315	M8 × 1 3/8-24UNF	53 2.0866	4.5 0.177
45 1 3/8 1 1/2 1 3/4	UC209D1 UC209-110D1 UC209-111D1 UC209-112D1	45 1.6250 1.6875 1.7500	85 3.3465	49.2 1.9370	22 0.8661	1.5 0.059	19 0.748	30.2 1.189	8 0.315	M8 × 1 3/8-24UNF	57.5 2.2638	4.9 0.193

Remarks: 1) These numbers indicate relubricatable type. If maintenance free type is needed, please order without suffix "D1".

Basic load ratings		Mass	
N dynamic C_r	lbf static C_{or}	kg	lb
12 800	6 650	0.21	
2 890	1 500	0.46	
12 800	6 650	0.20	
2 890	1 500	0.44	0.42
12 800	6 650	0.18	
2 890	1 500	0.39	
12 800	6 650	0.17	
2 890	1 500	0.39	
14 000	7 850	0.20	0.53
3 150	1 770	0.51	0.46
		0.46	0.44
19 500	11 300	0.33	0.82
4 400	2 540	0.77	0.73
		0.73	0.66
25 700	15 300	0.49	1.21
5 750	3 450	1.15	1.08
		1.08	1.01
29 100	17 800	0.65	
6 550	4 000	1.52	1.46
		1.46	
32 500	20 400	0.70	
7 350	4 600	1.76	1.68
		1.68	1.57

Ball bearings
Set screw type

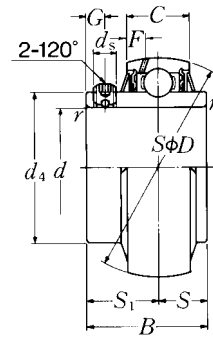


Shaft dia. mm inch	Bearing number ¹⁾	Nominal dimensions										
		<i>d</i>	<i>D</i>	<i>B</i>	<i>C</i>	<i>r</i> _s mm min.	<i>S</i>	inch <i>S</i> ₁	<i>G</i>	<i>d</i> _s	<i>d</i> ₁	<i>F</i>
50	UC210D1	50	90	51.6	24	1.5	19	32.6	9	M8 × 1	62.4	5.9
1!#% ₆	UC210-113D1	1.8125										
1!#% ₈	UC210-114D1	1.8750	3.5433	2.0315	0.9449	0.059	0.748	1.283	0.354	% ₁₆ -24UNF	2.4567	0.232
1!#% ₆	UC210-115D1	1.9375										
2	UC210-200D1	2.0000										
55	UC211D1	55	100	55.6	25	2	22.2	33.4	9	M8 × 1	69	6.0
2	UC211-200D1	2.0000										
2!#% ₆	UC211-201D1	2.0625	3.9370	2.1890	0.9843	0.079	0.874	1.315	0.354	% ₁₆ -24UNF	2.7165	0.236
2!#% ₈	UC211-202D1	2.1250										
2!#% ₆	UC211-203D1	2.1875										
60	UC212D1	60	110	65.1	27	2	25.4	39.7	10	M10 × 1.25	77	6.2
2!#% ₄	UC212-204D1	2.2500										
2!#% ₆	UC212-205D1	2.3125	4.3307	2.5630	1.0630	0.079	1.000	1.563	0.394	# ₈ -24UNF	3.0315	0.244
2!#% ₈	UC212-206D1	2.3750										
2!#% ₆	UC212-207D1	2.4375										
65	UC213D1	65	120	65.1	32	2	25.4	39.7	10	M10 × 1.25	82.5	8.7
2!#% ₂	UC213-208D1	2.5000	4.7244	2.5630	1.2598	0.079	1.000	1.563	0.394	# ₈ -24UNF	3.2480	0.343
2!#% ₆	UC213-209D1	2.5625										
70	UC214D1	70	125	74.6	33	2	30.2	44.4	12	M10 × 1.25	87	8.8
2!#% ₈	UC214-210D1	2.6250										
2!#% ₁₆	UC214-211D1	2.6875	4.9213	2.9370	1.2992	0.079	1.189	1.748	0.472	# ₈ -24UNF	3.4252	0.346
2!#% ₄	UC214-212D1	2.7500										
75	UC215D1	75	130	77.8	34	2	33.3	44.5	12	M10 × 1.25	93	9.0
2!#% ₁₆	UC215-213D1	2.8125										
2!#% ₈	UC215-214D1	2.8750	5.1181	3.0630	1.3386	0.079	1.311	1.752	0.472	# ₈ -24UNF	3.6614	0.354
2!#% ₁₆	UC215-215D1	2.9375										
3	UC215-300D1	3.0000										
80	UC216D1	80	140	82.6	35	2.5	33.3	49.3	12	M10 × 1.25	98.1	9.5
3!#% ₁₆	UC216-301D1	3.0625										
3!#% ₈	UC216-302D1	3.1250	5.5118	3.2520	1.3780	0.098	1.311	1.941	0.472	# ₈ -24UNF	3.8622	0.374
3!#% ₁₆	UC216-303D1	3.1875										

Remarks: 1) These numbers indicate relubricatable type. If maintenance free type is needed, please order without suffix "D1".

Basic load ratings		Mass	
N dynamic C_r	lbf static C_{or}	kg	lb
35 000	23 200	0.80	2.03
7 900	5 200	1.92	1.81
		1.69	
43 500	29 200	1.08	2.71
9 750	6 550	2.60	2.46
		2.34	
52 500	36 000	1.53	3.66
11 800	8 150	3.50	3.33
		3.17	
57 500	40 000	1.85	4.26
12 900	9 000	4.09	4.09
62 000	44 000	2.10	5.09
14 000	9 900	4.87	4.65
		4.65	
66 000	49 500	2.35	5.73
14 900	11 100	5.49	5.25
		4.98	
72 500	53 000	2.80	6.57
16 300	11 900	6.28	6.00
		6.00	

Ball bearings
Set screw type

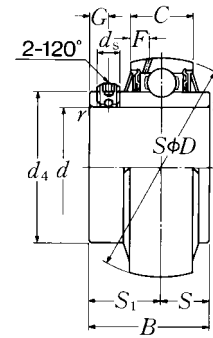


Shaft dia.	Bearing number ¹⁾	Nominal dimensions										
		d	D	B	C	r_s mm min.	S mm	S_1 inch	G	d_s	d_4	F
85	UC217D1	85	150	85.7	36	2.5	34.1	51.6	12	M12 × 1.5	106.4	10.1
3 1/4	UC217-304D1	3.2500										
3 5/16	UC217-305D1	3.3125	5.9055	3.3740	1.4173	0.098	1.343	2.031	0.472	1/2-20UNF	4.1890	0.398
3 7/16	UC217-307D1	3.4375										
90	UC218D1	90	160	96	37	2.5	39.7	56.3	12	M12 × 1.5	111.6	9.8
3 1/2	UC218-308D1	3.5000	6.2992	3.7795	1.4570	0.098	1.563	2.217	0.472	1/2-20UNF	4.3937	0.386

Remarks: 1) These numbers indicate relubricatable type. If maintenance free type is needed, please order without suffix "D1".

Basic load ratings		Mass	
N dynamic C_r	lbf static C_{or}	kg	lb
83 500	64 000	3.37	7.92
18 700	14 300	7.60	6.97
96 000	71 500	4.36	
21 600	16 100	9.88	

Ball bearings
Set screw type

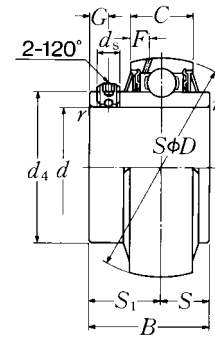


Shaft dia.	Bearing number ¹⁾	Nominal dimensions										
		<i>d</i>	<i>D</i>	<i>B</i>	<i>C</i>	<i>r</i> _s mm min.	<i>S</i>	inch <i>S</i> ₁	<i>G</i>	<i>d</i> _s	<i>d</i> ₁	<i>F</i>
25	UC305D1	25	62	38	20	1.5	15	23	6	M6 × 0.75	36.8	5.0
1 ¹ / ₁₆	UC305-013D1	0.8125										
8 ⁸ / ₁₆	UC305-014D1	0.8750	2.4409	1.4961	0.7874	0.059	0.591	0.906	0.236	1/4-28UNF	1.4488	0.197
1 ¹ / ₁₆	UC305-015D1	0.9375										
1	UC305-100D1	1.0000										
30	UC306D1	30	72	43	23	1.5	17	26	6	M6 × 0.75	44.9	5.9
1 ¹ / ₁₆	UC306-101D1	1.0625										
1 ¹ / ₈	UC306-102D1	1.1250	2.8346	1.6929	0.9055	0.059	0.669	1.024	0.236	1/4-28UNF	1.7677	0.232
1 ¹ / ₁₆	UC306-103D1	1.1875										
35	UC307D1	35	80	48	25	2	19	29	8	M8 × 1	49.4	6.8
1 ¹ / ₄	UC307-104D1	1.2500										
1 ¹ / ₁₆	UC307-105D1	1.3125	3.1496	1.8898	0.9843	0.079	0.748	1.142	0.315	3/8-24UNF	1.9449	0.268
1 ¹ / ₈	UC307-106D1	1.3750										
1 ¹ / ₁₆	UC307-107D1	1.4375										
40	UC308D1	40	90	52	27	2	19	33	10	M10 × 1.25	56	7.4
1 ¹ / ₂	UC308-108D1	1.5000	3.5433	2.0472	1.0630	0.079	0.748	1.299	0.394	3/8-24UNF	2.2047	0.291
1 ¹ / ₁₆	UC308-109D1	1.5625										
45	UC309D1	45	100	57	29	2	22	35	10	M10 × 1.25	63.5	7.4
1 ¹ / ₈	UC309-110D1	1.6250										
1 ¹ / ₁₆	UC309-111D1	1.6875	3.9370	2.2441	1.1417	0.079	0.866	1.378	0.394	3/8-24UNF	2.5000	0.291
1 ¹ / ₄	UC309-112D1	1.7500										
50	UC310D1	50	110	61	32	2.5	22	39	12	M12 × 1.5	70.6	8.1
1 ¹ / ₁₆	UC310-113D1	1.8125										
1 ¹ / ₈	UC310-114D1	1.8750	4.3307	2.4016	1.2598	0.098	0.866	1.535	0.472	1/2-20UNF	2.7795	0.319
1 ¹ / ₁₆	UC310-115D1	1.9375										
55	UC311D1	55	120	66	34	2.5	25	41	12	M12 × 1.5	76.6	8.5
2	UC311-200D1	2.0000										
2 ¹ / ₁₆	UC311-201D1	2.0625	4.7244	2.5984	1.3386	0.098	0.984	1.614	0.472	1/2-20UNF	3.0157	0.335
2 ¹ / ₈	UC311-202D1	2.1250										
2 ¹ / ₁₆	UC311-203D1	2.1875										

Remarks: 1) These numbers indicate relubricatable type. If maintenance free type is needed, please order without suffix "D1".

Basic load ratings		Mass	
N dynamic C_r	lbf static C_{or}	kg	lb
21 200	10 900	0.35	0.88
4 750	2 460	0.84	0.79
		0.77	
26 700	15 000	0.56	1.34
6 000	3 400	1.28	1.23
		1.23	
33 500	19 100	0.71	1.70
7 500	4 300	1.63	1.57
		1.57	1.50
40 500	24 000	0.96	2.23
9 150	5 400	2.23	2.14
		2.14	
53 000	32 000	1.28	3.06
11 900	7 200	2.98	2.87
		2.87	
62 000	38 500	1.65	3.95
13 900	8 600	3.84	3.70
		3.70	
71 500	45 000	2.07	4.96
16 100	10 100	4.81	4.67
		4.67	4.50

Ball bearings
Set screw type

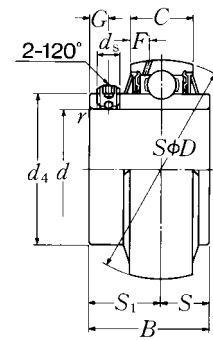


Shaft dia.	Bearing number ¹⁾	Nominal dimensions										
		<i>d</i>	<i>D</i>	<i>B</i>	<i>C</i>	<i>r</i> _s mm min.	<i>S</i>	inch <i>S</i> ₁	<i>G</i>	<i>d</i> _s	<i>d</i> ₄	<i>F</i>
60	UC312D1	60	130	71	36	2.5	26	45	12	M12 × 1.5	82.7	9.0
2¼	UC312-204D1	2.2500										
2⅞	UC312-205D1	2.3125	5.1181	2.7953	1.4173	0.098	1.024	1.772	0.472	½-20UNF	3.2559	0.354
2⅝	UC312-206D1	2.3750										
2⅞	UC312-207D1	2.4375										
65	UC313D1	65	140	75	39	2.5	30	45	12	M12 × 1.5	88.2	10.1
2½	UC313-208D1	2.5000	5.5118	2.9528	1.5354	0.098	1.181	1.772	0.472	½-20UNF	3.4724	0.398
2⅞	UC313-209D1	2.5625										
70	UC314D1	70	150	78	41	2.5	33	45	12	M12 × 1.5	94.8	10.5
2⅝	UC314-210D1	2.6250										
2⅞	UC314-211D1	2.6875	5.9055	3.0709	1.6142	0.098	1.299	1.772	0.472	½-20UNF	3.7323	0.413
2⅝	UC314-212D1	2.7500										
75	UC315D1	75	160	82	43	2.5	32	50	14	M14 × 1.5	101.3	11.0
2⅞	UC315-213D1	2.8125										
2⅝	UC315-214D1	2.8750	6.2992	3.2283	1.6929	0.098	1.260	1.969	0.551	⅜-18UNF	3.9882	0.433
2⅞	UC315-215D1	2.9375										
3	UC315-300D1	3.0000										
80	UC316D1	80	170	86	45	2.5	34	52	14	M14 × 1.5	107.9	11.4
3⅞	UC316-301D1	3.0625										
3⅝	UC316-302D1	3.1250	6.6929	3.3858	1.7717	0.098	1.339	2.047	0.551	⅜-18UNF	4.2480	0.449
3⅞	UC316-303D1	3.1875										
85	UC317D1	85	180	96	47	3	40	56	16	M16 × 1.5	114.4	12.0
3¼	UC317-304D1	3.2500										
3⅞	UC317-305D1	3.3125	7.0866	3.7795	1.8504	0.118	1.575	2.205	0.630	⅝-18UNF	4.5039	0.472
3⅞	UC317-307D1	3.4375										
90	UC318D1	90	190	96	49	3	40	56	16	M16 × 1.5	120.9	12.3
3⅞	UC318-307D1	3.4375	7.4803	3.7795	1.9291	0.118	1.575	2.205	0.630	⅝-18UNF	4.7598	0.484
3½	UC318-308D1	3.5000										

Remarks: 1) These numbers indicate relubricatable type. If maintenance free type is needed, please order without suffix "D1".

Basic load ratings		Mass	
N dynamic C_r	lbf static C_{or}	kg	lb
82 000	52 000	2.60	6.06
18 400	11 700	5.89	5.68
		5.51	
92 500	60 000	3.25	
20 800	13 400	7.36	7.14
104 000	68 000	3.89	
23 400	15 300	9.06	8.82
		8.60	
113 000	77 000	4.72	
25 500	17 400	11.0	10.7
		10.5	10.2
123 000	86 500	5.55	
27 600	19 500	12.6	12.3
		12.1	
133 000	97 000	6.67	
29 800	21 800	15.2	14.9
		14.2	
143 000	107 000	7.56	
32 000	24 100	17.3	16.9

Ball bearings
Set screw type



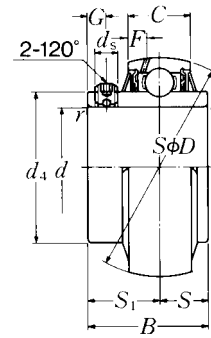
Shaft dia.	Bearing number ¹⁾	Nominal dimensions										
		<i>d</i>	<i>D</i>	<i>B</i>	<i>C</i>	<i>r</i> _s min.	<i>S</i>	inch <i>S</i> ₁	<i>G</i>	<i>d</i> _s	<i>d</i> ₄	<i>F</i>
95	UC319D1	95	200	103	51	3	41	62	16	M16 × 1.5	127.5	12.8
3³/₈	UC319-310D1	3.6250										
3¹/₂	UC319-311D1	3.6875	7.8740	4.0551	2.0079	0.118	1.614	2.441	0.630	3/8 -18UNF	5.0197	0.504
3⁷/₈	UC319-312D1	3.7500										
100	UC320D1	100	215	108	55	3	42	66	18	M18 × 1.5	135.6	13.5
3¹/₂	UC320-313D1	3.8125										
3³/₈	UC320-314D1	3.8750	8.4646	4.2520	2.1654	0.118	1.654	2.598	0.709	3/8 -18UNF	5.3386	0.531
3¹/₂	UC320-315D1	3.9375										
4	UC320-400D1	4.0000										
105	UC321D1	105	225	112	57	3	44	68	18	M18 × 1.5	142.1	13.9
110	UC322D1	110	240	117	59	3	46	71	18	M18 × 1.5	151.7	13.9
120	UC324D1	120	260	126	63	3	51	75	18	M18 × 1.5	165.2	16.0
130	UC326D1	130	280	135	67	4	54	81	20	M20 × 1.5	178.3	16.9
140	UC328D1	140	300	145	71	4	59	86	20	M20 × 1.5	190.4	17.7

Remarks: 1) These numbers indicate relubricatable type. If maintenance free type is needed, please order without suffix "D1".

Basic load ratings		Mass	
N dynamic C_r	lbf static C_{or}	kg	lb
153 000	119 000	8.70	19.9
34 500	26 600	19.5	19.1
173 000	141 000	10.8	24.7
39 000	31 500	24.2	23.8
		23.4	
184 000	153 000	12.2	
205 000	179 000	14.3	
207 000	185 000	18.5	
229 000	214 000	23.0	
253 000	246 000	28.5	

Ball bearings

Set screw type



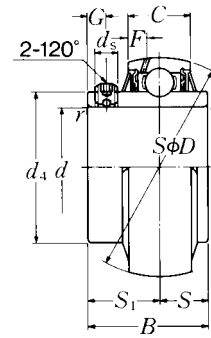
Shaft dia.	Bearing number ¹⁾	Nominal dimensions										
		<i>d</i>	<i>D</i>	<i>B</i>	<i>C</i>	<i>r_s</i> mm min.	<i>S</i>	inch <i>S₁</i>	<i>G</i>	<i>d_s</i>	<i>d₁</i>	<i>F</i>
25	UCX05D1	25	62	38.1	19	1	15.9	22.2	5	M6 × 0.75	40.8	5.1
1 ¹ / ₁₆	UCX05-013D1	0.8125										
5 ⁸ / ₁₆	UCX05-014D1	0.8750	2.4409	1.5000	0.7480	0.039	0.626	0.874	0.197	1 ¹ / ₄ -28UNF	1.6063	0.201
1 ¹ / ₁₆	UCX05-015D1	0.9375										
1	UCX05-100D1	1.0000										
30	UCX06D1	30	72	42.9	20	1	17.5	25.4	6	M8 × 1	46.8	5.6
1 ¹ / ₁₆	UCX06-101D1	1.0625										
1 ¹ / ₈	UCX06-102D1	1.1250	2.8346	1.6890	0.7874	0.039	0.689	1.000	0.236	3 ¹ / ₁₆ -24UNF	1.8425	0.220
1 ¹ / ₁₆	UCX06-103D1	1.1875										
35	UCX07D1	35	80	49.2	21	1.5	19	30.2	8	M8 × 1	53	6.0
1 ¹ / ₁₆	UCX07-105D1	1.3125										
1 ¹ / ₈	UCX07-106D1	1.3750	3.1496	1.9370	0.8268	0.059	0.748	1.189	0.315	3 ¹ / ₁₆ -24UNF	2.0866	0.236
1 ¹ / ₁₆	UCX07-107D1	1.4375										
40	UCX08D1	40	85	49.2	22	1.5	19	30.2	8	M8 × 1	57.5	5.9
1 ¹ / ₂	UCX08-108D1	1.5000	3.3465	1.9370	0.8661	0.059	0.748	1.189	0.315	3 ¹ / ₁₆ -24UNF	2.2638	0.232
1 ¹ / ₁₆	UCX08-109D1	1.5625										
45	UCX09D1	45	90	51.6	24	1.5	19	32.6	9	M10 × 1.25	62.4	6.4
1 ¹ / ₈	UCX09-110D1	1.6250										
1 ¹ / ₁₆	UCX09-111D1	1.6875	3.5433	2.0315	0.9449	0.059	0.748	1.283	0.354	3 ¹ / ₈ -24UNF	2.4567	0.252
1 ¹ / ₄	UCX09-112D1	1.7500										
50	UCX10D1	50	100	55.6	25	1.5	22.2	33.4	9	M10 × 1.25	69	7.0
1 ¹ / ₈	UCX10-114D1	1.8750	3.9370	2.1890	0.9843	0.059	0.874	1.315	0.354	3 ¹ / ₈ -24UNF	2.7165	0.276
1 ¹ / ₁₆	UCX10-115D1	1.9375										
55	UCX11D1	55	110	65.1	27	2	25.4	39.7	10	M10 × 1.25	77	7.7
2 ¹ / ₁₆	UCX11-201D1	2.0625										
2 ¹ / ₈	UCX11-202D1	2.1250	4.3307	2.5630	1.0630	0.079	1.000	1.563	0.394	3 ¹ / ₈ -24UNF	3.0315	0.303
2 ¹ / ₁₆	UCX11-203D1	2.1875										
60	UCX12D1	60	120	65.1	32	2	25.4	39.7	10	M10 × 1.25	82.5	8.7
2 ¹ / ₈	UCX12-206D1	2.3750	4.7244	2.5630	1.2598	0.079	1.000	1.563	0.394	3 ¹ / ₈ -24UNF	3.2480	0.343
2 ¹ / ₁₆	UCX12-207D1	2.4375										

Remarks: 1) These numbers indicate relubricatable type. If maintenance free type is needed, please order without suffix "D1".

Basic load ratings		Mass	
N dynamic C_r	lbf static C_{or}	kg	lb
19 500	11 300	0.39	0.97
4 400	2 540	0.93	0.88
		0.84	
25 700	15 300	0.68	1.61
5 750	3 450	1.54	1.50
		1.50	
29 100	17 800	0.82	1.87
6 550	4 000	1.81	1.74
		1.74	
32 500	20 400	0.93	2.16
7 350	4 600	2.16	2.07
		2.07	
35 000	23 200	1.00	2.43
7 900	5 200	2.34	2.25
		2.25	
43 500	29 200	1.35	3.15
9 750	6 550	3.15	3.04
		3.04	
52 500	36 000	1.90	4.43
11 800	8 150	4.30	4.12
		4.12	
57 500	40 000	2.27	4.96
12 900	9 000	4.96	4.81
		4.81	

Ball bearings

Set screw type

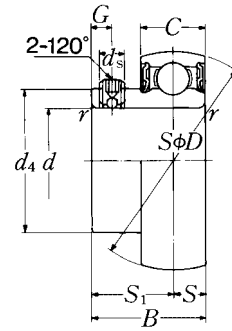


Shaft dia.	Bearing number ¹⁾	Nominal dimensions										
		<i>d</i>	<i>D</i>	<i>B</i>	<i>C</i>	<i>r</i> _s min.	<i>S</i>	inch <i>S</i> ₁	<i>G</i>	<i>d</i> _s	<i>d</i> ₁	<i>F</i>
65	UCX13D1	65	125	74.6	33	2	30.2	44.4	12	M12 × 1.5	87	8.8
2 1/2	UCX13-208D1	2.5000	4.9213	2.9370	1.2992	0.079	1.189	1.748	0.472	1/2-20UNF	3.4252	0.346
2 7/8	UCX13-209D1	2.5625										
70	UCX14D1	70	130	77.8	34	2	33.3	44.5	12	M12 × 1.5	93	9.0
2 3/8	UCX14-210D1	2.6250										
2 1 1/8	UCX14-211D1	2.6875	5.1181	3.0630	1.3386	0.079	1.311	1.752	0.472	1/2-20UNF	3.6614	0.354
2 3/4	UCX14-212D1	2.7500										
75	UCX15D1	75	140	82.6	35	2	33.3	49.3	12	M12 × 1.5	98.1	9.5
2 1 3/8	UCX15-213D1	2.8125										
2 3/8	UCX15-214D1	2.8750	5.5118	3.2520	1.3780	0.079	1.311	1.941	0.472	1/2-20UNF	3.8622	0.374
2 1 1/2	UCX15-215D1	2.9375										
3	UCX15-300D1	3.0000										
80	UCX16D1	80	150	85.7	36	2.5	34.1	51.6	12	M12 × 1.5	106.4	10.1
3 1/8	UCX16-301D1	3.0625										
3 1/8	UCX16-302D1	3.1250	5.9055	3.3740	1.4173	0.098	1.343	2.031	0.472	1/2-20UNF	4.1890	0.398
3 3/8	UCX16-303D1	3.1875										
85	UCX17D1	85	160	96	37	2.5	39.7	56.3	12	M12 × 1.5	111.6	9.8
3 3/8	UCX17-305D1	3.3125	6.2992	3.7795	1.4567	0.098	1.563	2.217	0.472	1/2-20UNF	4.3937	0.386
3 3/8	UCX17-307D1	3.4375										
90	UCX18D1	90	170	104	39	2.5	42.9	61.1	14	M14 × 1.5	118.2	10.5
3 3/8	UCX18-307D1	3.4375	6.6929	4.0945	1.5354	0.098	1.689	2.406	0.551	3/8-18UNF	4.6535	0.413
3 1/2	UCX18-308D1	3.5000										
100	UCX20D1	100	190	117.5	44	2.5	49.2	68.3	16	M16 × 1.5	131.3	11.3
3 1 3/8	UCX20-313D1	3.8125										
3 3/8	UCX20-314D1	3.8750	7.4803	4.6260	1.7323	0.098	1.937	2.689	0.630	3/8-18UNF	5.1693	0.445
3 1 1/2	UCX20-315D1	3.9375										
4	UCX20-400D1	4.0000										

Remarks: 1) These numbers indicate relubricatable type. If maintenance free type is needed, please order without suffix "D1".

Basic load ratings		Mass	
N dynamic C_r	lbf static C_{or}	kg	lb
62 000	44 000	2.45	
14 000	9 900	5.60	
		5.38	
66 000	49 500	2.47	
		5.93	
14 900	11 100	5.69	
		5.47	
72 500	53 000	3.11	
		7.43	
16 300	11 900	7.19	
		6.92	
		6.66	
83 500	64 000	3.79	
		8.75	
18 700	14 300	8.47	
		8.18	
96 000	71 500	4.82	
		10.8	
21 600	16 100	10.1	
109 000	82 000	5.51	
		13.3	
24 500	18 400	12.4	
133 000	105 000	8.95	
		18.8	
		18.8	
29 900	23 500	18.4	
		19.7	
		19.2	

Ball bearings
Set screw type

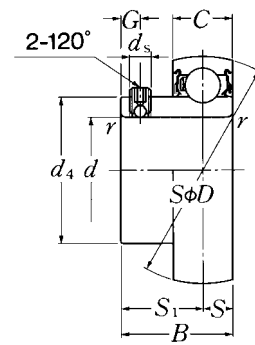


Shaft dia. mm inch	Bearing number ¹⁾	Nominal dimensions									
		<i>d</i>	<i>D</i>	<i>B</i>	<i>C</i>	mm <i>r_s</i> min.	inch <i>S</i>	<i>S₁</i>	<i>G</i>	<i>d_s</i>	<i>d₁</i>
12 1/2	AS201 AS201-008	12 0.5000	40 1.5748	22 0.8661	12 0.4724	0.6 0.024	6 0.236	16 0.630	4.2 0.165	M5 × 0.8 No.10-32UNF	24.3 0.957
15 5/8	AS202 AS202-009 AS202-010	15 0.5625 0.6250	40 1.5748	22 0.8661	12 0.4724	0.6 0.024	6 0.236	16 0.630	4.2 0.165	M5 × 0.8 No.10-32UNF	24.3 0.957
17 1 1/8	AS203 AS203-011	17 0.6875	40 1.5748	22 0.8661	12 0.4724	0.6 0.024	6 0.236	16 0.630	4.2 0.165	M5 × 0.8 No.10-32UNF	24.3 0.957
20 3/4	AS204 AS204-012	20 0.7500	47 1.8504	25 0.9843	14 0.5512	1 0.039	7 0.276	18 0.709	4.2 0.165	M5 × 0.8 No.10-32UNF	29.6 1.165
25 1 3/8 1 1/4 1	AS205 AS205-013 AS205-014 AS205-015 AS205-100	25 0.8125 0.8750 0.9375 1.0000	52 2.0472	27 1.0630	15 0.5906	1 0.039	7.5 0.295	19.5 0.768	5 0.197	M5 × 0.8 No.10-32UNF	33.9 1.335
30 1 1/8 1 1/8 1 3/8 1 1/4	AS206 AS206-101 AS206-102 AS206-103 AS206-104	30 1.0625 1.1250 1.1875 1.2500	62 2.4409	29 1.1417	16 0.6299	1 0.039	8 0.315	21 0.827	5 0.197	M6 × 0.75 1/4-28UNF	40.8 1.606
35 1 1/4 1 3/8 1 7/8 1 3/4	AS207 AS207-104 AS207-105 AS207-106 AS207-107	35 1.2500 1.3125 1.3750 1.4375	72 2.8346	34 1.3386	17 0.6693	1.5 0.059	8.5 0.335	25.5 1.004	6 0.236	M6 × 0.75 1/4-28UNF	46.8 1.843
40 1 1/2 1 3/8	AS208 AS208-108 AS208-109	40 1.5000 1.5625	80 3.1496	38 1.4961	18 0.7087	1.5 0.059	9 0.354	29 1.142	8 0.315	M8 × 1 3/8-24UNF	53 2.087

Remarks: 1) If relubricatable type is needed, please order with suffix "D1".

Basic load ratings		Mass	
N dynamic C_r	lbf static C_{or}	kg	lb
9 600	4 600	0.10	
2 160	1 030	0.22	
9 600	4 600	0.09	
2 160	1 030	0.21	0.20
9 600	4 600	0.08	
2 160	1 030	0.18	
12 800	6 650	0.13	
2 890	1 500	0.29	
14 000	7 850	0.16	0.42
3 150	1 770	0.40	0.38
		0.38	0.35
19 500	11 300	0.25	0.61
4 400	2 540	0.59	0.57
		0.57	0.55
25 700	15 300	0.37	1.06
5 750	3 450	0.93	0.81
		0.81	0.69
29 100	17 800	0.50	
6 550	4 000	1.15	1.06
		1.06	

Ball bearings
Set screw type

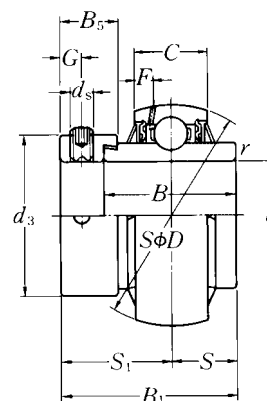


Shaft dia. mm inch	Bearing number ¹⁾	Nominal dimensions									
		<i>d</i>	<i>D</i>	<i>B</i>	<i>C</i>	mm <i>r_s</i> min.	inch <i>S</i>	<i>S₁</i>	<i>G</i>	<i>d_s</i>	<i>d_i</i>
12 1/2	AR201 AR201-008	12 0.5000	40 1.5748	22.5 0.8858	13 0.5118	0.6 0.024	6.5 0.256	16 0.630	5 0.197	M6 × 0.75 1/4-28UNF	24.4 0.9606
15 5/8	AR202 AR202-009 AR202-010	15 0.5625 0.6250	40 1.5748	22.5 0.8858	13 0.5118	0.6 0.024	6.5 0.256	16 0.630	5 0.197	M6 × 0.75 1/4-28UNF	24.4 0.9606
17 1 1/8	AR203 AR203-011	17 0.6875	40 1.5748	22.5 0.8858	13 0.5118	0.6 0.024	6.5 0.256	16 0.630	5 0.197	M6 × 0.75 1/4-28UNF	24.4 0.9606
20 3/4	AR204 AR204-012	20 0.7500	47 1.8504	25.5 1.0039	15 0.5906	1 0.039	7.5 0.295	18 0.709	5 0.197	M6 × 0.75 1/4-28UNF	29.6 1.1654
25 1 1/4 1 1/8 1 3/8 1	AR205 AR205-013 AR205-014 AR205-015 AR205-100	25 0.8125 0.8750 0.9375 1.0000	52 2.0472	27 1.0630	15 0.5906	1 0.039	7.5 0.295	19.5 0.768	5 0.197	M6 × 0.75 1/4-28UNF	33.9 1.3346
30 1 1/4 1 1/8 1 3/8 1 1/2	AR206 AR206-101 AR206-102 AR206-103 AR206-104	30 1.0625 1.1250 1.1875 1.2500	62 2.4409	30 1.1811	18 0.7087	1 0.039	9 0.354	21 0.827	5 0.197	M6 × 0.75 1/4-28UNF	40.8 1.6063
35 1 1/4 1 3/8 1 7/8 1 7/8	AR207 AR207-104 AR207-105 AR207-106 AR207-107	35 1.2500 1.3125 1.3750 1.4375	72 2.8346	35 1.3780	19 0.7480	1.5 0.059	9.5 0.374	25.5 1.004	6 0.236	M6 × 0.75 1/4-28UNF	46.8 1.8425
40 1 1/2 1 3/4	AR208 AR208-108 AR208-109	40 1.5000 1.5625	80 3.1496	40 1.5748	22 0.8661	1.5 0.059	11 0.433	29 1.142	8 0.315	M8 × 1 3/4-24UNF	53 2.0866

Remarks: 1) If relubricatable type is needed, please order with suffix "D1".

Basic load ratings		Mass	
N dynamic C_r	lbf static C_{or}	kg	lb
9 600	4 600	0.11	
2 160	1 030	0.24	
9 600	4 600	0.10	
2 160	1 030	0.23	0.22
9 600	4 600	0.09	
2 160	1 030	0.20	
12 800	6 650	0.14	
2 890	1 500	0.31	
14 000	7 850	0.17	0.44
3 150	1 770	0.42	0.40
		0.40	0.37
19 500	11 300	0.26	0.63
4 400	2 540	0.61	0.59
		0.59	0.57
25 700	15 300	0.39	1.10
5 750	3 450	0.97	0.85
		0.85	0.73
29 100	17 800	0.54	1.24
6 550	4 000	1.24	1.15

Ball bearings
Eccentric locking collar type

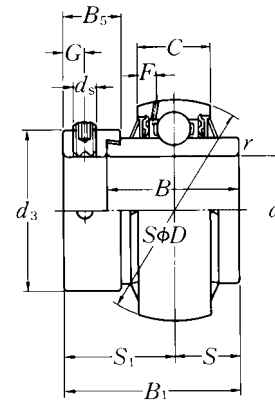


Shaft dia.	Bearing number ¹⁾	Nominal dimensions										
		<i>d</i>	<i>D</i>	<i>B</i> ₁	<i>B</i>	<i>C</i>	<i>r</i> _s min.	<i>S</i>	<i>S</i> ₁	<i>G</i>	<i>d</i> _s	<i>d</i> ₃
mm inch						mm	inch					
20	UEL204D1W3	20	47	43.7	34.2	17	1	17.1	26.6	4.8	M6 × 0.75	33
#4	UEL204-012D1W3	0.7500	1.8504	1.720	1.3465	0.6693	0.039	0.673	1.047	0.189	!#-28UNF	1.299
25	UEL205D1W3	25	52	44.4	34.9	17	1	17.5	26.9	4.8	M6 × 0.75	38
1#7/6	UEL205-013D1W3	0.8125										
8/8	UEL205-014D1W3	0.8750	2.0472	1.748	1.3740	0.6693	0.039	0.689	1.059	0.189	!#-28UNF	1.496
1%7/6	UEL205-015D1W3	0.9375										
1	UEL205-100D1W3	1.0000										
30	UEL206D1W3	30	62	48.4	36.5	19	1	18.3	30.1	6	M8 × 1	44.5
1!7/6	UEL206-101D1W3	1.0625										
1!8	UEL206-102D1W3	1.1250	2.4409	1.906	1.4370	0.7480	0.039	0.720	1.185	0.236	%-24UNF	1.752
1#7/6	UEL206-103D1W3	1.1875										
1!4	UEL206-104D1W3	1.2500										
35	UEL207D1W3	35	72	51.1	37.6	20	1.5	18.8	32.3	6.8	M10 × 1.25	55.5
1!4	UEL207-104D1W3	1.2500										
1%7/6	UEL207-105D1W3	1.3125	2.8346	2.012	1.4803	0.7874	0.059	0.740	1.272	0.268	#-24UNF	2.185
1#8	UEL207-106D1W3	1.3750										
1&7/6	UEL207-107D1W3	1.4375										
40	UEL208D1W3	40	80	56.3	42.8	21	1.5	21.4	34.9	6.8	M10 × 1.25	60
1!2	UEL208-108D1W3	1.5000	3.1496	2.217	1.6850	0.8268	0.059	0.843	1.374	0.268	#-24UNF	2.362
1(7/6	UEL208-109D1W3	1.5625										
45	UEL209D1W3	45	85	56.3	42.8	22	1.5	21.4	34.9	6.8	M10 × 1.25	63.5
1%8	UEL209-110D1W3	1.6250										
1!!7/6	UEL209-111D1W3	1.6875	3.3465	2.217	1.6850	0.8661	0.059	0.843	1.374	0.268	#-24UNF	2.500
1#4	UEL209-112D1W3	1.7500										
50	UEL210D1W3	50	90	62.7	49.2	24	1.5	24.6	38.1	6.8	M10 × 1.25	69.5
1!#7/6	UEL210-113D1W3	1.8125										
1&8	UEL210-114D1W3	1.8750	3.5433	2.469	1.9370	0.9449	0.059	0.969	1.500	0.268	#-24UNF	2.736
1!%7/6	UEL210-115D1W3	1.9375										
2	UEL210-200D1W3	2.0000										

Remarks: 1) These numbers indicate relubricatable type. If maintenance free type is needed, please order without suffix "D1".

Nominal dimensions		Basic load ratings		Mass
mm	inch	N dynamic C_r	lbf static C_{or}	kg lb
B_s	F			
13.5	4.7	12 800	6 650	0.23
0.531	0.185	2 890	1 500	0.45
13.5	4.5	14 000	7 850	0.27
0.531	0.177	3 150	1 770	0.61
				0.58
				0.55
				0.51
15.9	4.6	19 500	11 300	0.45
0.626	0.181	4 400	2 540	0.94
				0.89
				0.84
				0.80
17.5	4.6	25 700	15 300	0.60
0.689	0.181	5 750	3 450	1.45
				1.40
				1.35
				1.28
18.3	4.5	29 100	17 800	0.79
0.720	0.177	6 550	4 000	1.90
				1.82
18.3	4.9	32 500	20 400	0.85
0.720	0.193	7 350	4 600	2.05
				1.97
				1.88
18.3	5.9	35 000	23 200	0.98
0.720	0.232	7 900	5 200	2.46
				2.36
				2.25
				2.09

Ball bearings
Eccentric locking collar type

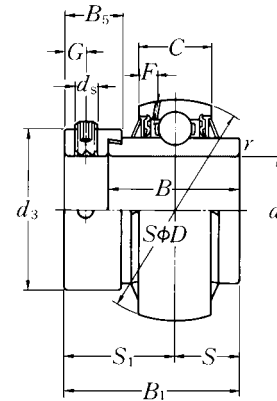


Shaft dia.	Bearing number ¹⁾	Nominal dimensions											
		<i>d</i>	<i>D</i>	<i>B₁</i>	<i>B</i>	<i>C</i>	<i>r₃</i> min.	<i>S</i>	<i>S₁</i>	<i>G</i>	<i>ds</i>	<i>d₃</i>	
55	UEL211D1W3	55	100	71.4	55.5	25	2	27.8	43.6	8	M10 × 1.25	76	
2	UEL211-200D1W3	2.0000											
2 1/16	UEL211-201D1W3	2.0625	3.9370	2.811	2.1850	0.9843	0.079	1.094	1.717	0.315	#8-24UNF	2.992	
2 1/8	UEL211-202D1W3	2.1250											
2 3/16	UEL211-203D1W3	2.1875											
60	UEL212D1W3	60	110	77.8	61.9	27	2	31	46.8	8	M10 × 1.25	84	
2 1/4	UEL212-204D1W3	2.2500											
2 5/16	UEL212-205D1W3	2.3125	4.3307	3.063	2.4370	1.0630	0.079	1.220	1.843	0.315	#8-24UNF	3.307	
2 3/8	UEL212-206D1W3	2.3750											
2 7/16	UEL212-207D1W3	2.4375											
65	UEL213D1W3	65	120	85.7	68.3	32	2	34.15	51.55	8.7	M10 × 1.25	97	
2 1/2	UEL213-208D1W3	2.5000	4.7244	3.374	2.6890	1.2598	0.079	1.344	2.030	0.343	#8-24UNF	3.819	
2 9/16	UEL213-209D1W3	2.5625											
70	UEL214D1W3	70	125	85.7	68.3	33	2	34.15	51.55	8.7	M10 × 1.25	97	
2 3/8	UEL214-210D1W3	2.6250											
2 11/16	UEL214-211D1W3	2.6875	4.9213	3.374	2.6890	1.2992	0.079	1.344	2.030	0.343	#8-24UNF	3.819	
2 3/4	UEL214-212D1W3	2.7500											
75	UEL215D1W3	75	130	92	74.6	34	2	37.3	54.7	8.7	M10 × 1.25	102	
2 13/16	UEL215-213D1W3	2.8125											
2 7/8	UEL215-214D1W3	2.8750	5.1181	3.622	2.9370	1.3386	0.079	1.469	2.154	0.343	#8-24UNF	4.016	
2 15/16	UEL215-215D1W3	2.9375											
3	UEL215-300D1W3	3.0000											

Remarks: 1) These numbers indicate relubricatable type. If maintenance free type is needed, please order without suffix "D1".

Nominal dimensions		Basic load ratings		Mass
mm	inch	N	lbf	kg
B_s	F	dynamic C_r	static C_{or}	lb
20.7	6.0	43 500	29 200	1.32
				3.28
0.815	0.236	9 750	6 550	3.12
				3.02
				2.90
22.3	6.2	52 500	36 000	1.87
				4.38
0.878	0.244	11 800	8 150	4.22
				4.05
				3.88
23.8	8.7	57 500	40 000	2.48
				5.47
0.937	0.343	12 900	9 000	5.30
23.8	8.8	62 000	44 000	2.47
				5.67
0.937	0.346	14 000	9 900	5.45
				5.18
23.8	9.0	66 000	49 500	2.68
				6.39
0.937	0.354	14 900	11 100	6.15
				5.91
				5.60

Ball bearings
Eccentric locking collar type

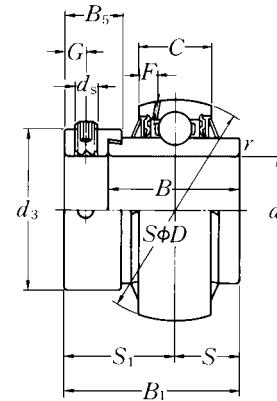


Shaft dia.	Bearing number ¹⁾	Nominal dimensions											
		<i>d</i>	<i>D</i>	<i>B</i> ₁	<i>B</i>	<i>C</i>	<i>r</i> _s min.	<i>S</i>	<i>S</i> ₁	<i>G</i>	<i>d</i> _s	<i>d</i> ₃	
mm inch						mm	inch						
25	UEL305D1W3	25	62	46.8	34.9	20	1.5	16.7	30.1	6	M8 × 1	42.8	
1 ¹ / ₁₆	UEL305-013D1W3	0.8125											
8 ⁸ / ₁₆	UEL305-014D1W3	0.8750	2.4409	1.843	1.3740	0.7874	0.059	0.657	1.185	0.236	1/16-24UNF	1.685	
1 ¹ / ₁₆	UEL305-015D1W3	0.9375											
1	UEL305-100D1W3	1.0000											
30	UEL306D1W3	30	72	50	36.5	23	1.5	17.5	32.5	6.7	M8 × 1	50	
1 ¹ / ₁₆	UEL306-101D1W3	1.0625											
1 ¹ / ₈	UEL306-102D1W3	1.1250	2.8346	1.969	1.4370	0.9055	0.059	0.689	1.280	0.264	1/16-24UNF	1.969	
1 ¹ / ₁₆	UEL306-103D1W3	1.1875											
35	UEL307D1W3	35	80	51.6	38.1	25	2	18.3	33.3	6.7	M8 × 1	55	
1 ¹ / ₄	UEL307-104D1W3	1.2500											
1 ¹ / ₁₆	UEL307-105D1W3	1.3125	3.1496	2.031	1.5000	0.9843	0.079	0.720	1.311	0.264	1/16-24UNF	2.165	
1 ¹ / ₈	UEL307-106D1W3	1.3750											
1 ¹ / ₁₆	UEL307-107D1W3	1.4375											
40	UEL308D1W3	40	90	57.1	41.3	27	2	19.8	37.3	8	M10 × 1.25	63.5	
1 ¹ / ₂	UEL308-108D1W3	1.5000	3.5433	2.248	1.6260	1.0630	0.079	0.780	1.469	0.315	3/8-24UNF	2.500	
1 ¹ / ₁₆	UEL308-109D1W3	1.5625											
45	UEL309D1W3	45	100	58.7	42.9	29	2	19.8	38.9	8	M10 × 1.25	70	
1 ¹ / ₈	UEL309-110D1W3	1.6250											
1 ¹ / ₁₆	UEL309-111D1W3	1.6875	3.9370	2.311	1.6890	1.1417	0.079	0.780	1.531	0.315	3/8-24UNF	2.756	
1 ¹ / ₄	UEL309-112D1W3	1.7500											
50	UEL310D1W3	50	110	66.6	49.2	32	2.5	24.6	42	8.7	M10 × 1.25	76.2	
1 ¹ / ₁₆	UEL310-113D1W3	1.8125											
1 ¹ / ₈	UEL310-114D1W3	1.8750	4.3307	2.622	1.9370	1.2598	0.098	0.969	1.654	0.343	3/8-24UNF	3.000	
1 ¹ / ₁₆	UEL310-115D1W3	1.9375											
55	UEL311D1W3	55	120	73	55.6	34	2.5	27.8	45.2	8.7	M10 × 1.25	83	
2	UEL311-200D1W3	2.0000											
2 ¹ / ₁₆	UEL311-201D1W3	2.0625	4.7244	2.874	2.1890	1.3386	0.098	1.094	1.780	0.343	3/8-24UNF	3.268	
2 ¹ / ₈	UEL311-202D1W3	2.1250											
2 ¹ / ₁₆	UEL311-203D1W3	2.1875											

Remarks: 1) These numbers indicate relubricatable type. If maintenance free type is needed, please order without suffix "D1".

Nominal dimensions		Basic load ratings		Mass
mm	inch	N	lbf	kg
B_s	F	dynamic C_r	static C_{or}	lb
15.9	5.0	21 200	10 900	0.43 1.09
0.626	0.197	4 750	2 460	1.05 1.01 0.96
17.5	5.9	26 700	15 000	0.69 1.57
0.689	0.232	6 000	3 400	1.51 1.45
17.5	6.8	33 500	19 100	0.80 1.92
0.689	0.268	7 500	4 300	1.84 1.77 1.69
20.6	7.4	40 500	24 000	1.08 2.58
0.811	0.291	9 150	5 400	2.49
20.6	7.4	53 000	32 000	1.45 3.36
0.811	0.291	11 900	7 200	3.26 3.15
22.2	8.1	62 000	38 500	1.86 4.40
0.874	0.319	13 900	8 600	4.29 4.15
22.2	8.5	71 500	45 000	2.34 5.58
0.874	0.335	16 100	10 100	5.39 5.25 5.08

Ball bearings
Eccentric locking collar type

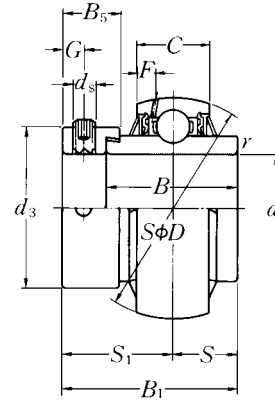


Shaft dia.	Bearing number ¹⁾	Nominal dimensions											
		<i>d</i>	<i>D</i>	<i>B</i> ₁	<i>B</i>	<i>C</i>	<i>r</i> _s min.	<i>S</i>	<i>S</i> ₁	<i>G</i>	<i>d</i> _s	<i>d</i> ₃	
mm inch		mm	inch	mm	inch	mm	inch	mm	inch	mm	inch	mm	inch
60	UEL312D1W3	60	130	79.4	61.9	36	2.5	30.95	48.45	8.7	M10 × 1.25	89	
2 1/4	UEL312-204D1W3	2.2500											
2 3/8	UEL312-205D1W3	2.3125	5.1181	3.126	2.4370	1.4173	0.098	1.219	1.907	0.343	#8-24UNF	3.504	
2 7/8	UEL312-206D1W3	2.3750											
2 7/8	UEL312-207D1W3	2.4375											
65	UEL313D1W3	65	140	85.7	65.1	39	2.5	32.55	53.15	10.3	M12 × 1.5	97	
2 1/2	UEL313-208D1W3	2.5000	5.5118	3.374	2.5630	1.5354	0.098	1.281	2.093	0.406	1/2-20UNF	3.819	
2 7/8	UEL313-209D1W3	2.5625											
70	UEL314D1W3	70	150	92.1	68.3	41	2.5	34.15	57.95	10.3	M12 × 1.5	102	
2 3/8	UEL314-210D1W3	2.6250											
2 1 1/8	UEL314-211D1W3	2.6875	5.9055	3.626	2.6890	1.6142	0.098	1.344	2.281	0.406	1/2-20UNF	4.016	
2 3/4	UEL314-212D1W3	2.7500											
75	UEL315D1W3	75	160	100	74.6	43	2.5	37.3	62.7	12.7	M16 × 1.5	113	
2 1 3/8	UEL315-213D1W3	2.8125											
2 3/8	UEL315-214D1W3	2.8750	6.2992	3.937	2.9370	1.6929	0.098	1.469	2.469	0.500	3/8-18UNF	4.449	
2 1 1/8	UEL315-215D1W3	2.9375											
3	UEL315-300D1W3	3.0000											
80	UEL316D1W3	80	170	106.4	81	45	2.5	40.5	65.9	12.7	M16 × 1.5	119	
3 1/8	UEL316-301D1W3	3.0625											
3 1/8	UEL316-302D1W3	3.1250	6.6929	4.189	3.1890	1.7717	0.098	1.594	2.594	0.500	3/8-18UNF	4.685	
3 7/8	UEL316-303D1W3	3.1875											
85	UEL317D1W3	85	180	109.5	84.1	47	3	42.05	67.45	12.7	M16 × 1.5	127	
3 1/4	UEL317-304D1W3	3.2500											
3 3/8	UEL317-305D1W3	3.3125	7.0866	4.311	3.3110	1.8504	0.118	1.656	2.656	0.500	3/8-18UNF	5.000	
3 7/8	UEL317-307D1W3	3.4375											
90	UEL318D1W3	90	190	115.9	87.3	49	3	43.65	72.25	14.3	M20 × 1.5	133	
3 3/8	UEL318-307D1W3	3.4375	7.4803	4.563	3.4370	1.9291	0.118	1.719	2.844	0.563	#4-16UNF	5.236	
3 1/2	UEL318-308D1W3	3.5000											
95	UEL319D1W3	95	200	122.3	93.7	51	3	38.9	83.4	14.3	M20 × 1.5	140	
3 3/8	UEL319-310D1W3	3.6250											
3 1 1/8	UEL319-311D1W3	3.6875	7.8740	4.815	3.6890	2.0079	0.118	1.531	3.283	0.563	#4-16UNF	5.512	
3 3/4	UEL319-312D1W3	3.7500											

Remarks: 1) These numbers indicate relubricatable type. If maintenance free type is needed, please order without suffix "D1".

Nominal dimensions		Basic load ratings		Mass
mm	inch	N	lbf	kg lb
B_s	F	dynamic C_r	static C_{or}	
23.9	9.0	82 000	52 000	2.94 6.80
0.941	0.354	18 400	11 700	6.65 6.48 6.19
27	10.1	92 500	60 000	3.67 8.49
1.063	0.398	20 800	13 400	8.27
30.2	10.5	104 000	68 000	4.40 10.4
1.189	0.413	23 400	15 300	10.2 9.96
31.8	11.0	113 000	77 000	5.34 13.2
1.252	0.433	25 500	17 400	12.9 12.7 12.5
31.8	11.4	123 000	86 500	6.70 14.9
1.252	0.449	27 600	19 500	14.8 14.6
31.8	12.0	133 000	97 000	8.00 18.0
1.252	0.472	29 800	21 800	17.7 17.0
36.5	12.3	143 000	107 000	9.10 20.7
1.437	0.484	32 000	24 100	20.2
36.5	12.8	153 000	119 000	10.4 23.4
1.437	0.504	34 500	26 600	23.0 22.6

Ball bearings
Eccentric locking collar type

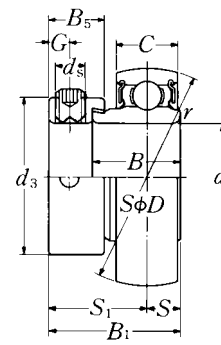


Shaft dia.	Bearing number ¹⁾	Nominal dimensions											
		<i>d</i>	<i>D</i>	<i>B</i> ₁	<i>B</i>	<i>C</i>	<i>r</i> _s min.	<i>S</i>	<i>S</i> ₁	<i>G</i>	<i>d</i> _s	<i>d</i> ₃	
mm inch						mm	inch						
100	UEL320D1W3	100	215	128.6	100	55	3	50	78.6	14.3	M20 × 1.5	146	
3 1/16	UEL320-313D1W3	3.8125											
3 8/8	UEL320-314D1W3	3.8750	8.4646	5.063	3.9370	2.1654	0.118	1.969	3.094	0.563	#4-16UNF	5.748	
3 1/16	UEL320-315D1W3	3.9375											
4	UEL320-400D1W3	4.0000											
105	UEL321D1W3	105	225	139.7	104.8	57	3	48.4	91.3	17.5	M20 × 1.5	157	
110	UEL322D1W3	110	240	141.3	106.4	59	3	49.2	92.1	17.5	M20 × 1.5	168	

Remarks: 1) These numbers indicate relubricatable type. If maintenance free type is needed, please order without suffix "D1".

Nominal dimensions		Basic load ratings		Mass
mm	inch	N dynamic C_r	lbf static C_{or}	kg lb
B_s	F			
36.5	13.5	173 000	141 000	12.5 28.5
1.437	0.531	39 000	31 500	28.0 27.6 27.0
42.8	13.9	184 000	153 000	14.6
42.8	13.9	205 000	179 000	17.2

Ball bearings
Eccentric locking collar type

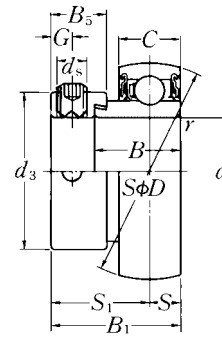


Shaft dia. mm inch	Bearing number ¹⁾	Nominal dimensions											
		d	D	B ₁	B	C	r _s mm min.	S	S ₁	G	d _s	d _b	
12 1/2	AEL201W3 AEL201-008W3	12 0.5000	40 1.5748	28.6 1.126	19 0.7480	12 0.4724	0.6 0.024	6.5 0.256	22.1 0.870	4.8 0.189	M6 × 0.75 #4-28UNF	29 1.142	
15 5/8	AEL202W3 AEL202-009W3 AEL202-010W3	15 0.5625 0.6250	40 1.5748	28.6 1.126	19 0.7480	12 0.4724	0.6 0.024	6.5 0.256	22.1 0.870	4.8 0.189	M6 × 0.75 #4-28UNF	29 1.142	
17 1 1/8	AEL203W3 AEL203-011W3	17 0.6875	40 1.5748	28.6 1.126	19 0.7480	12 0.4724	0.6 0.024	6.5 0.256	22.1 0.870	4.8 0.189	M6 × 0.75 #4-28UNF	29 1.142	
20 3/4	AEL204W3 AEL204-012W3	20 0.7500	47 1.8504	31 1.220	21.5 0.8465	14 0.5512	1 0.039	7.5 0.295	23.5 0.925	4.8 0.189	M6 × 0.75 #4-28UNF	33 1.299	
25 1 3/8 1 1/4 1	AEL205W3 AEL205-013W3 AEL205-014W3 AEL205-015W3 AEL205-100W3	25 0.8125 0.8750 0.9375 1.0000	52 2.0472	31 1.220	21.5 0.8465	15 0.5906	1 0.039	7.5 0.295	23.5 0.925	4.8 0.189	M6 × 0.75 #4-28UNF	38 1.496	
30 1 1/8 1 1/8 1 3/8 1 1/4	AEL206W3 AEL206-101W3 AEL206-102W3 AEL206-103W3 AEL206-104W3	30 1.0625 1.1250 1.1875 1.2500	62 2.4409	35.7 1.406	23.8 0.9370	16 0.6299	1 0.039	9 0.354	26.7 1.051	6 0.236	M8 × 1 #16-24UNF	44.5 1.752	
35 1 1/4 1 3/8 1 7/8 1 7/8	AEL207W3 AEL207-104W3 AEL207-105W3 AEL207-106W3 AEL207-107W3	35 1.2500 1.3125 1.3750 1.4375	72 2.8346	38.9 1.531	25.4 1.0000	17 0.6693	1.5 0.059	9.5 0.374	29.4 1.157	6.8 0.268	M10 × 1.25 #8-24UNF	55.5 2.185	
40 1 1/2 1 3/8	AEL208W3 AEL208-108W3 AEL208-109W3	40 1.5000 1.5625	80 3.1496	43.7 1.720	30.2 1.1890	18 0.7087	1.5 0.059	11 0.433	32.7 1.287	6.8 0.268	M10 × 1.25 #8-24UNF	60 2.362	

Remarks: 1) If relubricatable type is needed, please order with suffix "D1".

Nominal dimensions		Basic load ratings		Mass
mm	inch	N	lbf	kg
B_s		dynamic	static	lb
		C_r	C_{or}	
13.6		9 600	4 600	0.12
0.535		2 160	1 030	0.26
13.6		9 600	4 600	0.11
0.535		2 160	1 030	0.26
				0.24
13.6		9 600	4 600	0.10
0.535		2 160	1 030	0.23
13.5		12 800	6 650	0.17
0.531		2 890	1 500	0.35
13.5		14 000	7 850	0.20
				0.51
0.531		3 150	1 770	0.48
				0.45
				0.42
15.9		19 500	11 300	0.31
				0.74
0.626		4 400	2 540	0.73
				0.66
				0.61
17.5		25 700	15 300	0.49
				1.15
0.689		5 750	3 450	1.10
				1.04
				0.98
18.3		29 100	17 800	0.66
				1.41
0.720		6 550	4 000	1.34

Ball bearings
Eccentric locking collar type

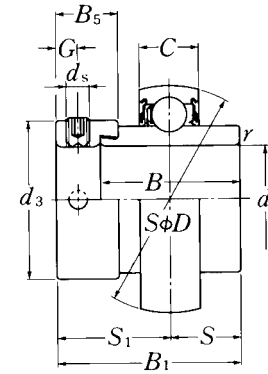


Shaft dia. mm inch	Bearing number ¹⁾	Nominal dimensions											
		<i>d</i>	<i>D</i>	<i>B</i> ₁	<i>B</i>	<i>C</i>	<i>r</i> _s mm min.	<i>S</i> inch	<i>S</i> ₁	<i>G</i>	<i>d</i> _s	<i>d</i> _s	
12 1/2	JEL201W3 JEL201-008W3	12 0.5000	40 1.5748	28.6 1.126	19 0.7480	13 0.5118	0.6 0.024	6.5 0.256	22.1 0.870	4.8 0.189	M6 × 0.75 #4-28UNF	29 1.142	
15 5/8	JEL202W3 JEL202-009W3 JEL202-010W3	15 0.5625 0.6250	40 1.5748	28.6 1.126	19 0.7480	13 0.5118	0.6 0.024	6.5 0.256	22.1 0.870	4.8 0.189	M6 × 0.75 #4-28UNF	29 1.142	
17 1 1/8	JEL203W3 JEL203-011W3	17 0.6875	40 1.5748	28.6 1.126	19 0.7480	13 0.5118	0.6 0.024	6.5 0.256	22.1 0.870	4.8 0.189	M6 × 0.75 #4-28UNF	29 1.142	
20 3/4	JEL204W3 JEL204-012W3	20 0.7500	47 1.8504	31 1.220	21.5 0.8465	15 0.5906	1 0.039	7.5 0.295	23.5 0.925	4.8 0.189	M6 × 0.75 #4-28UNF	33 1.299	
25 1 3/8 1 1/4 1	JEL205W3 JEL205-013W3 JEL205-014W3 JEL205-015W3 JEL205-100W3	25 0.8125 0.8750 0.9375 1.0000	52 2.0472	31 1.220	21.5 0.8465	15 0.5906	1 0.039	7.5 0.295	23.5 0.925	4.8 0.189	M6 × 0.75 #4-28UNF	38 1.496	
30 1 1/8 1 1/8 1 7/16 1 1/4	JEL206W3 JEL206-101W3 JEL206-102W3 JEL206-103W3 JEL206-104W3	30 1.0625 1.1250 1.1875 1.2500	62 2.4409	35.7 1.406	23.8 0.9370	18 0.7087	1 0.039	9 0.354	26.7 1.051	6 0.236	M8 × 1 #16-24UNF	44.5 1.752	
35 1 1/4 1 3/8 1 7/8 1 7/8	JEL207W3 JEL207-104W3 JEL207-105W3 JEL207-106W3 JEL207-107W3	35 1.2500 1.3125 1.3750 1.4375	72 2.8346	38.9 1.531	25.4 1.0000	19 0.7480	1.5 0.059	9.5 0.374	29.4 1.157	6.8 0.268	M10 × 1.25 #8-24UNF	55.5 2.185	
40 1 1/2 1 3/8	JEL208W3 JEL208-108W3 JEL208-109W3	40 1.5000 1.5625	80 3.1496	43.7 1.720	30.2 1.1890	22 0.8661	1.5 0.059	11 0.433	32.7 1.287	6.8 0.268	M10 × 1.25 #8-24UNF	60 2.362	

Remarks: 1) If relubricatable type is needed, please order with suffix "D1".

Nominal dimensions		Basic load ratings		Mass
mm	inch	N	lbf	kg lb
B_s		dynamic C_r	static C_{or}	
13.6		9 600	4 600	0.12
0.535		2 160	1 030	0.25
13.6		9 600	4 600	0.10
0.535		2 160	1 030	0.24
				0.22
13.6		9 600	4 600	0.09
0.535		2 160	1 030	0.20
13.5		12 800	6 650	0.16
0.531		2 890	1 500	0.37
13.5		14 000	7 850	0.19
				0.50
0.531		3 150	1 770	0.47
				0.44
				0.41
15.9		19 500	11 300	0.32
				0.78
0.626		4 400	2 540	0.73
				0.69
				0.64
17.5		25 700	15 300	0.50
				1.22
0.689		5 750	3 450	1.16
				1.11
				1.05
18.3		29 100	17 800	0.65
				1.53
0.720		6 550	4 000	1.46

Ball bearings
Eccentric locking collar type

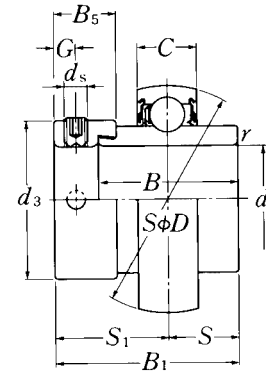


Shaft dia.	Bearing number ¹⁾	Nominal dimensions											
		<i>d</i>	<i>D</i>	<i>B</i> ₁	<i>B</i>	<i>C</i>	<i>r</i> _s min.	<i>S</i>	<i>S</i> ₁	<i>G</i>	<i>d</i> _s	<i>d</i> ₃	
mm inch		mm	mm	mm	mm	mm	mm	inch	mm	mm	mm	mm	
20	REL204W3	20	47	43.7	34.2	15	1	17.1	26.6	4.8	M6 × 0.75	33.0	
#4	REL204-012W3	0.7500	1.8504	1.720	1.3465	0.5906	0.039	0.673	1.047	0.189	!#-28UNF	1.299	
25	REL205W3	25	52	44.4	34.9	15	1	17.45	26.9	4.8	M6 × 0.75	38.0	
1#7/8	REL205-013W3	0.8125											
1#8	REL205-014W3	0.8750	2.0472	1.748	1.3740	0.5906	0.039	0.687	1.059	0.189	!#-28UNF	1.496	
1#7/8	REL205-015W3	0.9375											
1	REL205-100W3	1.0000											
30	REL206W3	30	62	48.4	36.5	18	1	18.25	30.1	6	M8 × 1	44.5	
1#7/8	REL206-101W3	1.0625											
1#8	REL206-102W3	1.1250	2.4409	1.906	1.4370	0.7087	0.039	0.720	1.185	0.236	1/8-24UNF	1.752	
1#7/8	REL206-103W3	1.1875											
1#4	REL206-104W3	1.2500											
35	REL207W3	35	72	51.1	37.6	19	1.5	18.8	32.3	6.8	M10 × 1.25	55.5	
1#4	REL207-104W3	1.2500											
1#7/8	REL207-105W3	1.3125	2.8346	2.012	1.4803	0.7480	0.059	0.740	1.272	0.268	#8-24UNF	2.185	
1#8	REL207-106W3	1.3750											
1#7/8	REL207-107W3	1.4375											
40	REL208W3	40	80	56.3	42.8	22	1.5	21.4	34.9	6.8	M10 × 1.25	60.0	
1#2	REL208-108W3	1.5000	3.1496	2.217	1.6850	0.8661	0.059	0.843	1.374	0.268	#8-24UNF	2.362	
1#7/8	REL208-109W3	1.5625											
45	REL209W3	45	85	56.3	42.8	22	1.5	21.4	34.9	6.8	M10 × 1.25	63.5	
1#8	REL209-110W3	1.6250											
1#17/8	REL209-111W3	1.6875	3.3465	2.217	1.6850	0.8661	0.059	0.843	1.374	0.268	#8-24UNF	2.500	
1#4	REL209-112W3	1.7500											
50	REL210W3	50	90	62.7	49.2	22	1.5	24.6	38.1	6.8	M10 × 1.25	69.5	
1#17/8	REL210-113W3	1.8125											
1#8	REL210-114W3	1.8750	3.5433	2.469	1.9370	0.8661	0.059	0.969	1.500	0.268	#8-24UNF	2.736	
1#17/8	REL210-115W3	1.9375											
2	REL210-200W3	2.0000											

Remarks: 1) If relubricatable type is needed, please order with suffix "D1".

Nominal dimensions		Basic load ratings		Mass	
mm	inch	N	lbf	kg	lb
B_s		dynamic C_r	static C_{or}		
13.5		12 800	6 650	0.22	
0.531		2 890	1 500	0.43	
13.5		14 000	7 850	0.26	
				0.59	
0.531		3 150	1 770	0.56	
				0.53	
				0.49	
15.9		19 500	11 300	0.44	
				0.92	
0.626		4 400	2 540	0.87	
				0.82	
				0.78	
17.5		25 700	15 300	0.58	
				1.41	
0.689		5 750	3 450	1.36	
				1.31	
				1.24	
18.3		29 100	17 800	0.78	
				1.88	
0.720		6 550	4 000	1.80	
18.3		32 500	20 400	0.83	
				2.01	
0.720		7 350	4 600	1.93	
				1.84	
18.3		35 000	23 200	0.96	
				2.42	
0.720		7 900	5 200	2.32	
				2.21	
				2.05	

Ball bearings
Eccentric locking collar type

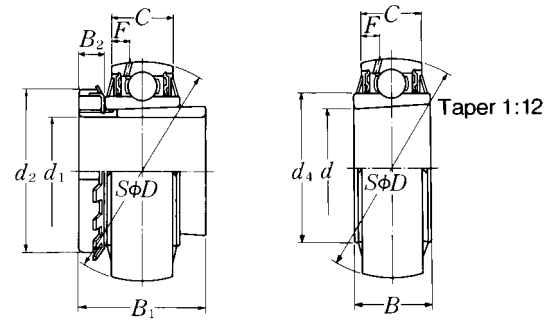


Shaft dia.	Bearing number ¹⁾	Nominal dimensions											
		<i>d</i>	<i>D</i>	<i>B</i> ₁	<i>B</i>	<i>C</i>	<i>r</i> _s min.	<i>S</i>	<i>S</i> ₁	<i>G</i>	<i>d</i> _s	<i>d</i> ₃	
mm inch						mm	inch						
55	REL211W3	55	100	71.4	55.5	24	2	27.8	43.6	8	M10 × 1.25	76	
2	REL211-200W3	2.0000											
2 1/16	REL211-201W3	2.0625	3.9370	2.811	2.1850	0.9449	0.079	1.094	1.717	0.315	#8-24UNF	2.992	
2 1/8	REL211-202W3	2.1250											
2 3/16	REL211-203W3	2.1875											
60	REL212W3	60	110	77.8	61.9	27	2	31	46.8	8	M10 × 1.25	84	
2 1/4	REL212-204W3	2.2500											
2 5/16	REL212-205W3	2.3125	4.3307	3.063	2.4370	1.0630	0.079	1.220	1.843	0.315	#8-24UNF	3.307	
2 3/8	REL212-206W3	2.3750											
2 7/16	REL212-207W3	2.4375											

Remarks: 1) If relubricatable type is needed, please order with suffix "D1".

Nominal dimensions		Basic load ratings		Mass	
mm	inch	N	lbf	kg	lb
B_s		dynamic C_r	static C_{or}		
20.7		43 500	29 200	1.29	3.21
0.815		9 750	6 550	3.05	2.95
				2.83	
22.3		52 500	36 000	1.83	4.29
0.878		11 800	8 150	4.13	3.96
				3.79	

Ball bearings Adapter type



UK2...D1;H,HA, HE,HS

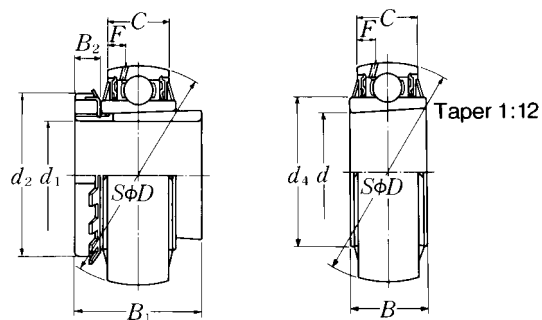
UK2...D1

Shaft dia. mm inch	Bearing number ^{1) 2) 3)}	Nominal dimensions									
		<i>d</i>	<i>D</i>	<i>B</i>	<i>C</i>	<i>d</i> ₄	<i>d</i> ₁	<i>B</i> ₁	<i>B</i> ₂	<i>d</i> ₂	<i>F</i>
20 #4	UK205D1;H2305X UK205D1;HE2305	25 0.9843	52 2.0472	23 0.9055	17 0.6693	33.9 1.335	20 #4	35 1.378	8 0.315	38 1.496	4.5 0.177
25 #1	UK206D1;H2306X UK206D1;HS2306 UK206D1;HE2306X	30 1.1811	62 2.4409	26 1.0236	19 0.7480	40.8 1.606	25 #1	38 1.496	8 0.315	45 1.772	4.6 0.181
30 1#8	UK207D1;H2307X UK207D1;HS2307	35 1.3780	72 2.8346	29 1.1417	20 0.7874	46.8 1.843	30 1#8	43 1.693	9 0.354	52 2.047	4.6 0.181
35 1#4 1#8	UK208D1;H2308X UK208D1;HE2308X UK208D1;HS2308X	40 1.5748	80 3.1496	31 1.2205	21 0.8268	53 2.087	35 1#4 1#8	46 1.811	10 0.394	58 2.283	4.5 0.177
40 1#7/8 1#2 1#8	UK209D1;H2309X UK209D1;HA2309 UK209D1;HE2309X UK209D1;HS2309X	45 1.7717	85 3.3465	31 1.2205	22 0.8661	57.5 2.264	40 1#7/8 1#2 1#8	50 1.969	11 0.433	65 2.559	4.9 0.193
45 1#3/8 1#1/8 1#4	UK210D1;H2310X UK210D1;HS2310 UK210D1;HA2310 UK210D1;HE2310X	50 1.9685	90 3.5433	32 1.2598	24 0.9449	62.4 2.457	45 1#3/8 1#1/8 1#4	55 2.165	12 0.472	70 2.756	5.9 0.232
50 1#8 1#7/8 2	UK211D1;H2311X UK211D1;HS2311 UK211D1;HA2311 UK211D1;HE2311XY	55 2.1654	100 3.9370	35 1.3780	25 0.9843	69 2.717	50 1#8 1#7/8 2	59 2.323	12 0.472	75 2.953	6.0 0.236
55 2#8	UK212D1;H2312X UK212D1;HS2312	60 2.3622	110 4.3307	38 1.4961	27 1.0630	77 3.031	55 2#8	62 2.441	13 0.512	80 3.150	6.2 0.244
60 2#7/8 2#4 2#8	UK213D1;H2313X UK213D1;HA2313 UK213D1;HE2313X UK213D1;HS2313X	65 2.5591	120 4.7244	40 1.5748	32 1.2598	82.5 3.248	60 2#7/8 2#4 2#8	65 2.559	14 0.551	85 3.346	8.7 0.343

- Remarks: 1) These numbers indicate relubricatable type. If maintenance free type is needed, please order without suffix "D1".
 2) Adapter number with suffix "X" means a narrow slot type adapter sleeve.
 In this case the lock washer with the straight inner prong should be used.
 3) For HE2311XY, screw thread pitch different from the standard is applied, because of the thin thread section of sleeve.
 To distinguish it, a suffix "Y" is added.

Basic load ratings		Mass	
N dynamic C_r	lbf static C_{or}	kg	lb
14 000	7 850	0.25	
3 150	1 770	0.57	
19 500	11 300	0.36	
4 400	2 540	0.86	
		0.78	
25 700	15 300	0.57	
5 750	3 450	1.30	
29 100	17 800	0.74	
6 550	4 000	1.77	
		1.63	
32 500	20 400	0.83	
		2.01	
7 350	4 600	1.93	
		1.76	
35 000	23 200	0.97	
		2.38	
7 900	5 200	2.28	
		2.18	
43 500	29 200	1.26	
		2.96	
9 750	6 550	2.84	
		2.70	
52 500	36 000	1.59	
11 800	8 150	3.60	
57 500	40 000	2.00	
		4.86	
12 900	9 000	4.70	
		4.38	

Ball bearings
Adapter type



UK2...D1;H,HA, HE,HS

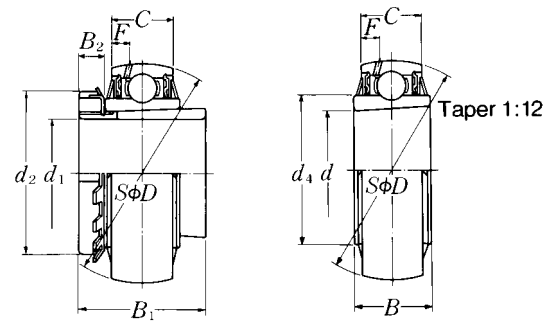
UK2...D1

Shaft dia.	Bearing number ^{1) 2) 3)}	Nominal dimensions									
		mm					inch				
		<i>d</i>	<i>D</i>	<i>B</i>	<i>C</i>	<i>d</i> ₄	<i>d</i> ₁	<i>B</i> ₁	<i>B</i> ₂	<i>d</i> ₂	<i>F</i>
65 2 ⁵ / ₁₆ 2 ¹ / ₂	UK215D1;H2315X UK215D1;HA2315 UK215D1;HE2315X	75	130	44	34	93	65	73	15	98	9.0
		2.9528	5.1181	1.7323	1.3386	3.661	2 ⁵ / ₁₆ 2 ¹ / ₂	2.874	0.591	3.858	0.354
70 2 ¹ / ₁₆ 2 ³ / ₄	UK216D1;H2316X UK216D1;HA2316 UK216D1;HE2316X	80	140	45	35	98.1	70	78	17	105	9.5
		3.1496	5.5118	1.7717	1.3780	3.862	2 ¹ / ₁₆ 2 ³ / ₄	3.071	0.669	4.134	0.374
75 2 ¹ / ₁₆ 3	UK217D1;H2317X UK217D1;HA2317X UK217D1;HE2317X	85	150	46	36	106.4	75	82	18	110	10.1
		3.3465	5.9055	1.8110	1.4173	4.189	2 ¹ / ₁₆ 3	3.228	0.709	4.331	0.398
80 3 ³ / ₁₆	UK218D1;H2318X UK218D1;HA2318X	90	160	47	37	111.6	80	86	18	120	9.8
		3.5433	6.2992	1.8504	1.4567	4.394	3 ³ / ₁₆	3.386	0.709	4.724	0.386

Remarks: 1) These numbers indicate relubricatable type. If maintenance free type is needed, please order without suffix "D1".
 2) Adapter number with suffix "X" means a narrow slot type adapter sleeve.
 In this case the lock washer with the straight inner prong should be used.
 3) For HE2311XY, screw thread pitch different from the standard is applied, because of the thin thread section of sleeve.
 To distinguish it, a suffix "Y" is added.

Basic load ratings		Mass	
N dynamic C_r	lbf static C_{or}	kg	lb
66 000	49 500	2.56	6.04
14 900	11 100	5.84	
72 500	53 000	3.23	7.38
16 300	11 900	7.14	
83 500	64 000	3.93	8.73
18 700	14 300	8.46	
96 000	71 500	4.74	
21 600	16 100	11.0	

Ball bearings Adapter type



UK3...D1;H, HA, HE, HS

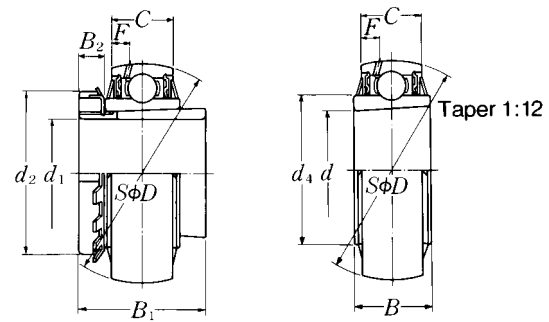
UK3...D1

Shaft dia. mm inch	Bearing number ^{1) 2) 3)}	Nominal dimensions									
		mm					inch				
		<i>d</i>	<i>D</i>	<i>B</i>	<i>C</i>	<i>d</i> ₄	<i>d</i> ₁	<i>B</i> ₁	<i>B</i> ₂	<i>d</i> ₂	<i>F</i>
20 #4	UK305D1;H2305X UK305D1;HE2305	25 0.9843	62 2.4409	26 1.0236	20 0.7874	36.8 1.449	20 #4	35 1.378	8 0.315	38 1.496	5.0 0.197
25 #8 1	UK306D1;H2306X UK306D1;HS2306 UK306D1;HE2306X	30 1.1811	72 2.8346	29 1.1417	23 0.9055	44.9 1.768	25 #8 1	38 1.496	8 0.315	45 1.772	5.9 0.232
30 1#8	UK307D1;H2307X UK307D1;HS2307	35 1.3780	80 3.1496	33 1.2992	25 0.9843	49.4 1.945	30 1#8	43 1.693	9 0.354	52 2.047	6.8 0.268
35 1#4 1#8	UK308D1;H2308X UK308D1;HE2308X UK308D1;HS2308X	40 1.5748	90 3.5433	34 1.3386	27 1.0630	56 2.205	35 1#4 1#8	46 1.811	10 0.394	58 2.283	7.4 0.291
40 1#7/8 1#2 1#8	UK309D1;H2309X UK309D1;HA2309 UK309D1;HE2309X UK309D1;HS2309X	45 1.7717	100 3.9370	37 1.4567	29 1.1417	63.5 2.500	40 1#7/8 1#2 1#8	50 1.969	11 0.433	65 2.559	7.4 0.291
45 1#8 1#17/8 1#4	UK310D1;H2310X UK310D1;HS2310 UK310D1;HA2310 UK310D1;HE2310X	50 1.9685	110 4.3307	41 1.6142	32 1.2598	70.6 2.780	45 1#8 1#17/8 1#4	55 2.165	12 0.472	70 2.756	8.1 0.319
50 1#8 1#7/8 2	UK311D1;H2311X UK311D1;HS2311 UK311D1;HA2311 UK311D1;HE2311XY	55 2.1654	120 4.7244	44 1.7323	34 1.3386	76.6 3.016	50 1#8 1#7/8 2	59 2.323	12 0.472	75 2.953	8.5 0.335
55 2#8	UK312D1;H2312X UK312D1;HS2312	60 2.3622	130 5.1181	47 1.8504	36 1.4173	82.7 3.256	55 2#8	62 2.441	13 0.512	80 3.150	9.0 0.354
60 2#7/8 2#4 2#8	UK313D1;H2313X UK313D1;HA2313 UK313D1;HE2313X UK313D1;HS2313X	65 2.5591	140 5.5118	49 1.9291	39 1.5354	88.2 3.472	60 2#7/8 2#4 2#8	65 2.559	14 0.551	85 3.346	10.1 0.398

Remarks: 1) These numbers indicate relubricatable type. If maintenance free type is needed, please order without suffix "D1".
 2) Adapter number with suffix "X" means a narrow slot type adapter sleeve.
 In this case the lock washer with the straight inner prong should be used.
 3) For HE2311XY, screw thread pitch different from the standard is applied, because of the thin thread section of sleeve.
 To distinguish it, a suffix "Y" is added.

Basic load ratings		Mass	
N dynamic C_r	lbf static C_{or}	kg	lb
21 200	10 900	0.36	
4 750	2 460	0.81	
26 700	15 000	0.59	
6 000	3 400	1.37	
		1.29	
33 500	19 100	0.75	
7 500	4 300	1.70	
40 500	24 000	1.02	
9 150	5 400	2.38	
		2.25	
53 000	32 000	1.38	
		3.22	
11 900	7 200	3.14	
		2.97	
62 000	38 500	1.68	
		3.95	
13 900	8 600	3.85	
		3.74	
71 500	45 000	2.06	
		4.73	
16 100	10 100	4.60	
		4.46	
82 000	52 000	2.53	
18 400	11 700	5.67	
92 500	60 000	3.08	
		7.24	
20 800	13 400	7.08	
		6.76	

Ball bearings Adapter type



UK3...D1;H, HA, HE, HS

UK3...D1

Shaft dia.	Bearing number ^{1) 2) 3)}	Nominal dimensions									
		mm					inch				
		<i>d</i>	<i>D</i>	<i>B</i>	<i>C</i>	<i>d</i> ₄	<i>d</i> ₁	<i>B</i> ₁	<i>B</i> ₂	<i>d</i> ₂	<i>F</i>
65 2 ¹¹ / ₁₆ 2 ¹ / ₂	UK315D1;H2315X UK315D1;HA2315 UK315D1;HE2315X	75	160	55	43	101.3	65	73	15	98	11.0
		2.9528	6.2992	2.1654	1.6929	3.988	2 ² / ₁₆ 2 ¹ / ₂	2.874	0.591	3.858	0.433
70 2 ¹¹ / ₁₆ 2 ³ / ₄	UK316D1;H2316X UK316D1;HA2316 UK316D1;HE2316X	80	170	58	45	107.9	70	78	17	105	11.4
		3.1496	6.6929	2.2835	1.7717	4.248	2 ¹¹ / ₁₆ 2 ³ / ₄	3.071	0.669	4.134	0.449
75 2 ¹ / ₁₆ 3	UK317D1;H2317X UK317D1;HA2317X UK317D1;HE2317X	85	180	60	47	114.4	75	82	18	110	12.0
		3.3465	7.0866	2.3622	1.8504	4.504	2 ¹ / ₁₆ 3	3.228	0.709	4.331	0.472
80 3 ¹ / ₁₆	UK318D1;H2318X UK318D1;HA2318X	90	190	64	49	120.9	80	86	18	120	12.3
		3.5433	7.4803	2.5197	1.9291	4.760	3 ¹ / ₁₆	3.386	0.709	4.724	0.484
85 3 ¹ / ₄	UK319D1;H2319X UK319D1;HE2319X	95	200	67	51	127.5	85	90	19	125	12.8
		3.7402	7.8740	2.6378	2.0079	5.020	3 ¹ / ₄	3.543	0.748	4.921	0.504
90 3 ³ / ₁₆ 3 ¹ / ₂	UK320D1;H2320X UK320D1;HA2320 UK320D1;HE2320X	100	215	73	55	135.6	90	97	20	130	13.5
		3.9370	8.4646	2.8740	2.1654	5.339	3 ³ / ₁₆ 3 ¹ / ₂	3.819	0.787	5.118	0.531
100	UK322D1;H2322X	110	240	80	59	151.7	100	105	21	145	13.9
110	UK324D1;H2324X	120	260	86	63	165.2	110	112	22	155	16.0
115	UK326D1;H2326	130	280	90	67	178.3	115	121	23	165	16.9
125	UK328D1;H2328	140	300	95	71	190.4	125	131	24	180	17.7

Remarks: 1) These numbers indicate relubricatable type. If maintenance free type is needed, please order without suffix "D1".

2) Adapter number with suffix "X" means a narrow slot type adapter sleeve.

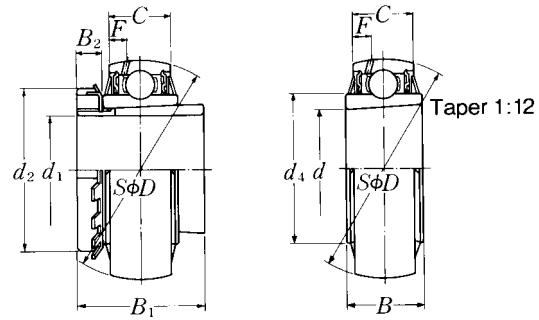
In this case the lock washer with the straight inner prong should be used.

3) For HE2311XY, screw thread pitch different from the standard is applied, because of the thin thread section of sleeve.

To distinguish it, a suffix "Y" is added.

Basic load ratings		Mass	
N dynamic C_r	lbf static C_{or}	kg	lb
113 000	77 000	4.84	11.1
25 500	17 400	10.9	
123 000	86 500	5.75	12.9
27 600	19 500	12.7	
133 000	97 000	6.72	14.9
29 800	21 800	14.6	
143 000	107 000	7.87	17.2
32 000	24 100		
153 000	119 000	9.02	20.4
34 500	26 600		
173 000	141 000	11.1	24.7
39 000	31 500	25.1	
205 000	179 000	14.9	
207 000	185 000	18.0	
229 000	214 000	23.3	
253 000	246 000	28.9	

Ball bearings Adapter type



UKX...D1;H, HA, HE, HS

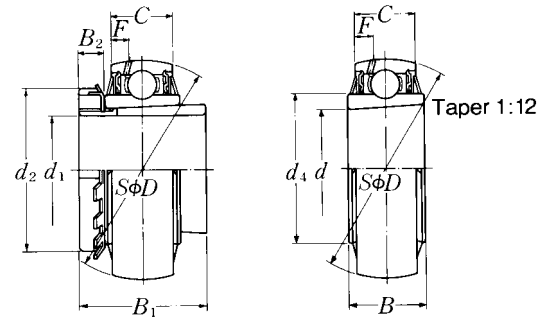
UKX...D1

Shaft dia.	Bearing number ^{1) 2) 3)}	Nominal dimensions									
		mm					inch				
		<i>d</i>	<i>D</i>	<i>B</i>	<i>C</i>	<i>d</i> ₄	<i>d</i> ₁	<i>B</i> ₁	<i>B</i> ₂	<i>d</i> ₂	<i>F</i>
20 #4	UKX05D1;H2305X UKX05D1;HE2305	25 0.9843	62 2.4409	26 1.0236	19 0.7480	40.8 1.606	20 #4	35 1.378	8 0.315	38 1.496	4.6 0.181
25 #8 1	UKX06D1;H2306X UKX06D1;HS2306 UKX06D1;HE2306X	30 1.1811	72 2.8346	29 1.1417	20 0.7874	46.8 1.843	25 #8 1	38 1.496	8 0.315	45 1.772	4.6 0.181
30 1#8	UKX07D1;H2307X UKX07D1;HS2307	35 1.3780	80 3.1496	31 1.2205	21 0.8268	53 2.087	30 1#8	43 1.693	9 0.354	52 2.047	4.5 0.177
35 1#4 1#8	UKX08D1;H2308X UKX08D1;HE2308X UKX08D1;HS2308X	40 1.5748	85 3.3465	31 1.2205	22 0.8661	57.5 2.264	35 1#4 1#8	46 1.811	10 0.394	58 2.283	4.9 0.193
40 1#7/8 1#2 1#8	UKX09D1;H2309X UKX09D1;HA2309 UKX09D1;HE2309X UKX09D1;HS2309X	45 1.7717	90 3.5433	32 1.2598	24 0.9449	62.4 2.457	40 1#7/8 1#2 1#8	50 1.969	11 0.433	65 2.559	5.9 0.232
45 1#8 1#1 1/8 1#4	UKX10D1;H2310X UKX10D1;HS2310 UKX10D1;HA2310 UKX10D1;HE2310X	50 1.9685	100 3.9370	35 1.3780	25 0.9843	69 2.717	45 1#8 1#1 1/8 1#4	55 2.165	12 0.472	70 2.756	6.0 0.236
50 1#8 1#1 1/8 2	UKX11D1;H2311X UKX11D1;HS2311 UKX11D1;HA2311 UKX11D1;HE2311XY	55 2.1654	110 4.3307	38 1.4961	27 1.0630	77 3.031	50 1#8 1#1 1/8 2	59 2.323	12 0.472	75 2.953	6.2 0.244
55 2#8	UKX12D1;H2312X UKX12D1;HS2312	60 2.3622	120 4.7244	40 1.5748	32 1.2598	82.5 3.248	55 2#8	62 2.441	13 0.512	80 3.150	8.7 0.343
60 2#7/8 2#4 2#8	UKX13D1;H2313X UKX13D1;HA2313 UKX13D1;HE2313X UKX13D1;HS2313X	65 2.5591	125 4.9213	42 1.6535	33 1.2992	87 3.425	60 2#7/8 2#4 2#8	65 2.559	14 0.551	85 3.346	8.8 0.346

Remarks: 1) These numbers indicate relubricatable type. If maintenance free type is needed, please order without suffix "D1".
 2) Adapter number with suffix "X" means a narrow slot type adapter sleeve.
 In this case the lock washer with the straight inner prong should be used.
 3) For HE2311XY, screw thread pitch different from the standard is applied, because of the thin thread section of sleeve.
 To distinguish it, a suffix "Y" is added.

Basic load ratings		Mass	
N dynamic C_r	lbf static C_{or}	kg	lb
19 500	11 300	0.38	
4 400	2 540	0.85	
25 700	15 300	0.53	
5 750	3 450	1.24	
		1.16	
29 100	17 800	0.75	
6 550	4 000	1.70	
32 500	20 400	0.85	
7 350	4 600	2.01	
		1.88	
35 000	23 200	0.97	
7 900	5 200	2.32	
		2.24	
		2.07	
43 500	29 200	1.29	
9 750	6 550	3.09	
		2.99	
		2.88	
52 500	36 000	1.66	
11 800	8 150	3.84	
		3.72	
		3.58	
57 500	40 000	2.07	
12 900	9 000	4.66	
62 000	44 000	2.19	
14 000	9 900	5.28	
		5.12	
		4.79	

Ball bearings Adapter type



UKX...D1;H, HA, HE, HS

UKX...D1

Shaft dia.	Bearing number ^{1) 2) 3)}	Nominal dimensions									
		mm					inch				
		<i>d</i>	<i>D</i>	<i>B</i>	<i>C</i>	<i>d</i> ₄	<i>d</i> ₁	<i>B</i> ₁	<i>B</i> ₂	<i>d</i> ₂	<i>F</i>
65 2 ¹¹ / ₁₆ 2 ¹ / ₂	UKX15D1;H2315X UKX15D1;HA2315 UKX15D1;HE2315X	75	140	45	35	98.1	65	73	15	98	9.5
		2.9528	5.5118	1.7717	1.3780	3.862	2 ² / ₁₆ 2 ¹ / ₂	2.874	0.591	3.858	0.374
70 2 ¹¹ / ₁₆ 2 ³ / ₄	UKX16D1;H2316X UKX16D1;HA2316 UKX16D1;HE2316X	80	150	46	36	106.4	70	78	17	105	10.1
		3.1496	5.9055	1.8110	1.4173	4.189	2 ¹¹ / ₁₆ 2 ³ / ₄	3.071	0.669	4.134	0.398
75 2 ¹ / ₁₆ 3	UKX17D1;H2317X UKX17D1;HA2317X UKX17D1;HE2317X	85	160	47	37	111.6	75	82	18	110	9.8
		3.3465	6.2992	1.8504	1.4567	4.394	2 ¹ / ₁₆ 3	3.228	0.709	4.331	0.386
80 3 ¹ / ₁₆	UKX18D1;H2318X UKX18D1;HA2318X	90	170	49	39	118.2	80	86	18	120	10.5
		3.5433	6.6929	1.9291	1.5354	4.654	3 ¹ / ₁₆	3.386	0.709	4.724	0.413
90	UKX20D1;H2320X	100	190	57	44	131.3	90	97	20	130	11.3

Remarks: 1) These numbers indicate relubricatable type. If maintenance free type is needed, please order without suffix "D1".

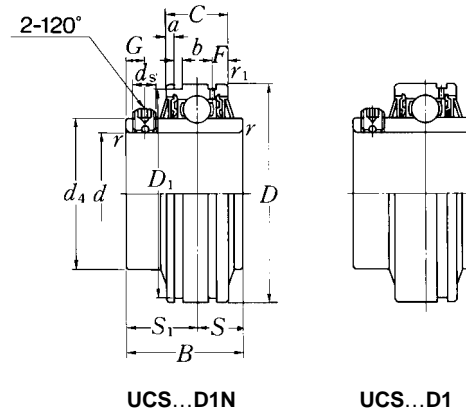
2) Adapter number with suffix "X" means a narrow slot type adapter sleeve.

In this case the lock washer with the straight inner prong should be used.

3) For HE2311XY, screw thread different from the standard is applied, because of the thin thread section of sleeve.
To distinguish it, a suffix "Y" is added.

Basic load ratings		Mass	
N dynamic C_r	lbf static C_{or}	kg	lb
72 500	53 000	3.21	7.47
16 300	11 900	7.27	
83 500	64 000	3.87	8.79
18 700	14 300	8.56	
96 000	71 500	4.76	10.6
21 600	16 100	10.3	
109 000	82 000	5.17	11.2
24 500	18 400		
133 000	105 000	8.03	

Ball bearings
Set screw type

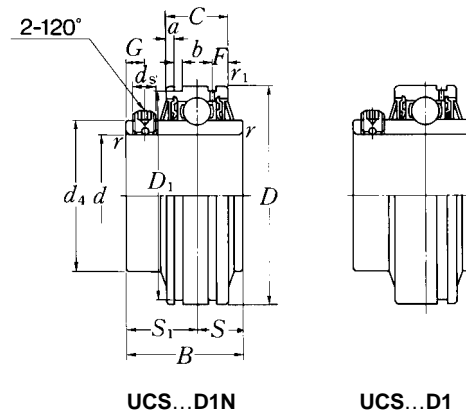


Shaft dia. mm inch	Bearing number ¹⁾	Nominal dimensions									
		<i>d</i>	<i>D</i>	<i>B</i>	<i>C</i>	mm <i>r_s</i> min.	inch <i>r_s</i> min.	<i>S</i>	<i>S₁</i>	<i>G</i>	<i>ds</i>
12 1/2	UCS201LD1N	12	47	31	17	0.6	0.6	12.7	18.3	4.5	M5 × 0.8
	UCS201-008LD1N	0.5000	1.8504	1.2205	0.6693	0.024	0.024	0.500	0.720	0.177	No.10-32UNF
15 5/8	UCS202LD1N	15	47	31	17	0.6	0.6	12.7	18.3	4.5	M5 × 0.8
	UCS202-009LD1N	0.5625	1.8504	1.2205	0.6693	0.024	0.024	0.500	0.720	0.177	No.10-32UNF
	UCS202-010LD1N	0.6250									
17 1 1/8	UCS203LD1N	17	47	31	17	0.6	0.6	12.7	18.3	4.5	M5 × 0.8
	UCS203-011LD1N	0.6875	1.8504	1.2205	0.6693	0.024	0.024	0.500	0.720	0.177	No.10-32UNF
20 3/4	UCS204LD1N	20	47	31	17	1	0.6	12.7	18.3	4.5	M5 × 0.8
	UCS204-012LD1N	0.7500	1.8504	1.2205	0.6693	0.039	0.024	0.500	0.720	0.177	No.10-32UNF
25 1 1/8 1 1/4 1	UCS205LD1N	25	52	34	17	1	0.6	14.3	19.8	5	M5 × 0.8
	UCS205-013LD1N	0.8125									
	UCS205-014LD1N	0.8750	2.0472	1.3386	0.6693	0.039	0.024	0.563	0.780	0.197	No.10-32UNF
	UCS205-015LD1N	0.9375									
30 1 1/8 1 1/4 1 1/2	UCS206LD1N	30	62	38.1	19	1	1	15.9	22.2	5	M6 × 0.75
	UCS206-101LD1N	1.0625									
	UCS206-102LD1N	1.1250	2.4409	1.5000	0.7480	0.039	0.039	0.626	0.874	0.197	1/4-28UNF
	UCS206-103LD1N	1.1875									
35 1 1/4 1 3/8 1 7/8	UCS207LD1N	35	72	42.9	20	1.5	1.5	17.5	25.4	6	M6 × 0.75
	UCS207-104LD1N	1.2500									
	UCS207-105LD1N	1.3125	2.8346	1.6890	0.7874	0.059	0.059	0.689	1.000	0.236	1/4-28UNF
	UCS207-106LD1N	1.3750									
40 1 1/2 1 3/4	UCS208LD1N	40	80	49.2	21	1.5	1.5	19	30.2	8	M8 × 1
	UCS208-108LD1N	1.5000	3.1496	1.9370	0.8268	0.059	0.059	0.748	1.189	0.315	3/8-24UNF
	UCS208-109LD1N	1.5625									
45 1 3/8 1 7/8 1 3/4	UCS209LD1N	45	85	49.2	22	1.5	1.5	19	30.2	8	M8 × 1
	UCS209-110LD1N	1.6250									
	UCS209-111LD1N	1.6875	3.3465	1.9370	0.8661	0.059	0.059	0.748	1.189	0.315	3/8-24UNF
	UCS209-112LD1N	1.7500									

Remarks: 1) These numbers indicate relubricatable type. If maintenance free type is needed, please order without suffix "D1".

Nominal dimensions					Basic load ratings		Mass
d_i	mm D_i	inch a	b	F	N dynamic C_r	lbf static C_{or}	kg lb
29.6	44.6	3.1	1.5	4	12 800	6 650	0.21
1.1654	1.756	0.122	0.059	0.157	2 890	1 500	0.46
29.6	44.6	3.1	1.5	4	12 800	6 650	0.20
1.1654	1.756	0.122	0.059	0.157	2 890	1 500	0.44 0.42
29.6	44.6	3.1	1.5	4	12 800	6 650	0.18
1.1654	1.756	0.122	0.059	0.157	2 890	1 500	0.39
29.6	44.6	3.1	1.5	4	12 800	6 650	0.17
1.1654	1.756	0.122	0.059	0.157	2 890	1 500	0.39
33.9	49.73	3.2	1.5	4.1	14 000	7 850	0.20
1.3346	1.958	0.126	0.059	0.161	3 150	1 770	0.53 0.51 0.46 0.44
40.8	59.61	3.2	2.05	4.2	19 500	11 300	0.33
1.6063	2.374	0.126	0.081	0.165	4 400	2 540	0.82 0.77 0.73 0.66
46.8	68.81	3.3	2.05	5	25 700	15 300	0.49
1.8425	2.079	0.130	0.081	0.197	5 750	3 450	1.21 1.15 1.08 1.01
53	76.81	3.4	2.05	5	29 100	17 800	0.65
2.0866	3.024	0.134	0.081	0.197	6 550	4 000	1.52 1.46
57.5	81.81	3.5	2.05	5.1	32 500	20 400	0.70
2.2638	3.221	0.138	0.081	0.201	7 350	4 600	1.76 1.68 1.57

Ball bearings
Set screw type



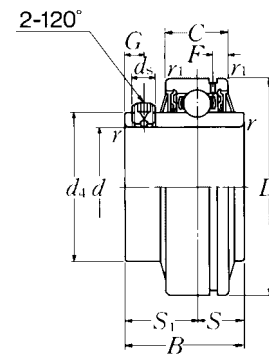
Shaft dia. mm inch	Bearing number ¹⁾	Nominal dimensions									
		<i>d</i>	<i>D</i>	<i>B</i>	<i>C</i>	mm <i>r_s</i> min.	inch <i>r_s</i> min.	<i>S</i>	<i>S₁</i>	<i>G</i>	<i>ds</i>
50	UCS210LD1N	50	90	51.6	24	1.5	1.5	19	32.6	9	M8 × 1
1 1/16	UCS210-113LD1N	1.8125									
1 3/8	UCS210-114LD1N	1.8750	3.5433	2.0315	0.9449	0.059	0.059	0.748	1.283	0.354	3/8-24UNF
1 1/2	UCS210-115LD1N	1.9375									
2	UCS210-200LD1N	2.0000									
55	UCS211LD1N	55	100	55.6	25	2	2	22.2	33.4	9	M8 × 1
2	UCS211-200LD1N	2.0000									
2 1/8	UCS211-201LD1N	2.0625	3.9370	2.1890	0.9843	0.079	0.079	0.874	1.315	0.354	3/8-24UNF
2 1/4	UCS211-202LD1N	2.1250									
2 3/8	UCS211-203LD1N	2.1875									
60	UCS212LD1N	60	110	65.1	27	2	2	25.4	39.7	10	M10 × 1.25
2 1/4	UCS212-204LD1N	2.2500									
2 3/8	UCS212-205LD1N	2.3125	4.3307	2.5630	1.0630	0.079	0.079	1.000	1.563	0.394	#8-24UNF
2 7/8	UCS212-206LD1N	2.3750									
2 3/4	UCS212-207LD1N	2.4375									
65	UCS213D1	65	120	65.1	32	2	2	25.4	39.7	10	M10 × 1.25
2 1/2	UCS213-208D1	2.5000	4.7244	2.5630	1.2598	0.079	0.079	1.000	1.563	0.394	#8-24UNF
2 7/8	UCS213-209D1	2.5625									
70	UCS214D1	70	125	74.6	33	2	2	30.2	44.4	12	M10 × 1.25
75	UCS215D1	75	130	77.8	34	2	2	33.3	44.5	12	M10 × 1.25
80	UCS216D1	80	140	82.6	35	2.5	2.5	33.3	49.3	12	M10 × 1.25
85	UCS217D1	85	150	85.7	36	2.5	2.5	34.1	51.6	12	M12 × 1.5
90	UCS218D1	90	160	96	37	2.5	2.5	39.7	56.3	12	M12 × 1.5

Remarks: 1) These numbers indicate relubricatable type. If maintenance free type is needed, please order without suffix "D1".

Nominal dimensions					Basic load ratings		Mass
d_i	D_i	a	b	F	C_r	C_{or}	
	mm	inch			N	lbf	kg lb
62.4	86.79	3.7	2.85	5.6	35 000	23 200	0.80 2.03
2.4567	3.417	0.146	0.112	0.220	7 900	5 200	1.92 1.81 1.69
69	96.80	4.4	2.85	5.9	43 500	29 200	1.08 2.71
2.7165	3.811	0.173	0.112	0.232	9 750	6 550	2.60 2.46 2.34
77	106.81	4.4	2.85	6	52 500	36 000	1.59 3.78
3.0315	4.205	0.173	0.112	0.236	11 800	8 150	3.62 3.45 3.29
82.5	-	-	-	6.8	57 500	40 000	1.92
3.2480	-	-	-	0.268	12 900	9 000	4.41 4.24
87	-	-	-	7	62 000	44 000	2.17
93	-	-	-	7	66 000	49 500	2.43
98.1	-	-	-	7.5	72 500	53 000	2.89
106.4	-	-	-	7.5	83 500	64 000	3.47
111.6	-	-	-	7	96 000	71 500	4.46

Ball bearings

Set screw type

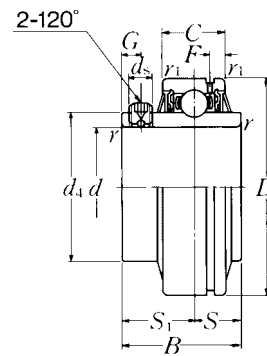


Shaft dia.	Bearing number ¹⁾	Nominal dimensions									
		<i>d</i>	<i>D</i>	<i>B</i>	<i>C</i>	mm <i>r_s</i> min.	inch <i>r_s</i> min.	<i>S</i>	<i>S</i> ₁	<i>G</i>	<i>d</i> _s
25	UCS305D1	25	62	38	20	1.5	0.6	15	23	6	M6 × 0.75
1 ¹ / ₁₆	UCS305-013D1	0.8125									
3 ¹ / ₈	UCS305-014D1	0.8750	2.4409	1.4961	0.7874	0.059	0.024	0.591	0.906	0.236	1 ¹ / ₄ -28UNF
1 ¹ / ₈	UCS305-015D1	0.9375									
1	UCS305-100D1	1.0000									
30	UCS306D1	30	72	43	23	1.5	1	17	26	6	M6 × 0.75
1 ¹ / ₁₆	UCS306-101D1	1.0625									
1 ¹ / ₈	UCS306-102D1	1.1250	2.8346	1.6929	0.9055	0.059	0.039	0.669	1.024	0.236	1 ¹ / ₄ -28UNF
1 ¹ / ₁₆	UCS306-103D1	1.1875									
35	UCS307D1	35	80	48	25	2	1	19	29	8	M8 × 1
1 ¹ / ₄	UCS307-104D1	1.2500									
1 ¹ / ₁₆	UCS307-105D1	1.3125	3.1496	1.8898	0.9843	0.079	0.039	0.748	1.142	0.315	3 ¹ / ₁₆ -24UNF
1 ¹ / ₈	UCS307-106D1	1.3750									
1 ¹ / ₁₆	UCS307-107D1	1.4375									
40	UCS308D1	40	90	52	27	2	1	19	33	10	M10 × 1.25
1 ¹ / ₂	UCS308-108D1	1.5000	3.5433	2.0472	1.0630	0.079	0.039	0.748	1.299	0.394	3 ¹ / ₈ -24UNF
1 ¹ / ₁₆	UCS308-109D1	1.5625									
45	UCS309D1	45	100	57	29	2	1	22	35	10	M10 × 1.25
1 ¹ / ₈	UCS309-110D1	1.6250									
1 ¹ / ₁₆	UCS309-111D1	1.6875	3.9370	2.2441	1.1417	0.079	0.039	0.866	1.378	0.394	3 ¹ / ₈ -24UNF
1 ¹ / ₄	UCS309-112D1	1.7500									
50	UCS310D1	50	110	61	32	2.5	1.5	22	39	12	M12 × 1.5
1 ¹ / ₁₆	UCS310-113D1	1.8125									
1 ¹ / ₈	UCS310-114D1	1.8750	4.3307	2.4016	1.2598	0.098	0.059	0.866	1.535	0.472	1 ¹ / ₂ -20UNF
1 ¹ / ₁₆	UCS310-115D1	1.9375									
55	UCS311D1	55	120	66	34	2.5	1.5	25	41	12	M12 × 1.5
2	UCS311-200D1	2.0000									
2 ¹ / ₁₆	UCS311-201D1	2.0625	4.7244	2.5984	1.3386	0.098	0.059	0.984	1.614	0.472	1 ¹ / ₂ -20UNF
2 ¹ / ₈	UCS311-202D1	2.1250									
2 ¹ / ₁₆	UCS311-203D1	2.1875									

Remarks: 1) These numbers indicate relubricatable type. If maintenance free type is needed, please order without suffix "D1".

Nominal dimensions		Basic load ratings		Mass
mm d_1	inch F	N dynamic C_r	lbf static C_{or}	kg lb
36.8	4.3	21 200	10 900	0.37 0.94
1.4488	0.169	4 750	2 460	0.90 0.83 0.81
44.9	5.1	26 700	15 000	0.58 1.39
1.7677	0.201	6 000	3 400	1.33 1.28
49.4	5.3	33 500	19 100	0.74 1.77
1.9449	0.209	7 500	4 300	1.70 1.64 1.57
56	5.6	40 500	24 000	1.00 2.32
2.2047	0.220	9 150	5 400	2.23
63.5	5.8	53 000	32 000	1.33 3.17
2.5000	0.228	11 900	7 200	3.09 2.98
70.6	6.3	62 000	38 500	1.72 4.10
2.7795	0.248	13 900	8 600	3.99 3.85
76.6	6.5	71 500	45 000	2.15 5.14
3.0157	0.256	16 100	10 100	4.99 4.85 4.68

Ball bearings
Set screw type



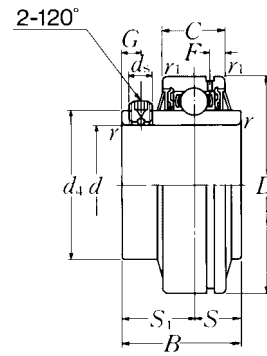
Shaft dia.	Bearing number ¹⁾	Nominal dimensions									
		<i>d</i>	<i>D</i>	<i>B</i>	<i>C</i>	mm <i>r_s</i> min.	inch <i>r_s</i> min.	<i>S</i>	<i>S₁</i>	<i>G</i>	<i>ds</i>
60	UCS312D1	60	130	71	36	2.5	1.5	26	45	12	M12 × 1.5
2 1/4	UCS312-204D1	2.2500									
2 3/8	UCS312-205D1	2.3125	5.1181	2.7953	1.4173	0.098	0.059	1.024	1.772	0.472	1/2-20UNF
2 7/8	UCS312-206D1	2.3750									
2 7/8	UCS312-207D1	2.4375									
65	UCS313D1	65	140	75	39	2.5	2	30	45	12	M12 × 1.5
2 1/2	UCS313-208D1	2.5000	5.5118	2.9528	1.5354	0.098	0.079	1.181	1.772	0.472	1/2-20UNF
2 7/8	UCS313-209D1	2.5625									
70	UCS314D1	70	150	78	41	2.5	2	33	45	12	M12 × 1.5
2 7/8	UCS314-210D1	2.6250									
2 1 1/8	UCS314-211D1	2.6875	5.9055	3.0709	1.6142	0.098	0.079	1.299	1.772	0.472	1/2-20UNF
2 3/4	UCS314-212D1	2.7500									
75	UCS315D1	75	160	82	43	2.5	2	32	50	14	M14 × 1.5
2 1 1/8	UCS315-213D1	2.8125									
2 7/8	UCS315-214D1	2.8750	6.2992	3.2283	1.6929	0.098	0.079	1.260	1.969	0.551	1/8-18UNF
2 1 1/8	UCS315-215D1	2.9375									
3	UCS315-300D1	3.0000									
80	UCS316D1	80	170	86	45	2.5	2	34	52	14	M14 × 1.5
3 1/8	UCS316-301D1	3.0625									
3 1/8	UCS316-302D1	3.1250	6.6929	3.3858	1.7717	0.098	0.079	1.339	2.047	0.551	1/8-18UNF
3 3/8	UCS316-303D1	3.1875									
85	UCS317D1	85	180	96	47	3	2.5	40	56	16	M16 × 1.5
3 1/4	UCS317-304D1	3.2500									
3 3/8	UCS317-305D1	3.3125	7.0866	3.7795	1.8504	0.118	0.098	1.575	2.205	0.630	3/8-18UNF
3 7/8	UCS317-307D1	3.4375									
90	UCS318D1	90	190	96	49	3	2.5	40	56	16	M16 × 1.5
3 7/8	UCS318-307D1	3.4375	7.4803	3.7795	1.9291	0.118	0.098	1.575	2.205	0.630	3/8-18UNF
3 1/2	UCS318-308D1	3.5000									

Remarks: 1) These numbers indicate relubricatable type. If maintenance free type is needed, please order without suffix "D1".

Nominal dimensions		Basic load ratings		Mass
mm d_1	inch F	N dynamic C_r	lbf static C_{or}	kg lb
82.7	6.7	82 000	52 000	2.70 6.27
3.2559	0.264	18 400	11 700	6.10 5.89 5.72
88.2	7.5	92 500	60 000	3.37 7.63
3.4724	0.295	20 800	13 400	7.41
94.8	7.5	104 000	68 000	4.03 9.37
3.7323	0.295	23 400	15 300	9.13 8.91
101.3	7.7	113 000	77 000	4.88 11.4
3.9882	0.303	25 500	17 400	11.1 10.9 10.6
107.9	7.8	123 000	86 500	5.74 13.0
4.2480	0.307	27 600	19 500	12.7 12.5
114.4	8.2	133 000	97 000	6.88 15.7
4.5039	0.323	29 800	21 800	15.4 14.7
120.9	8.5	143 000	107 000	7.80 17.8
4.7598	0.335	32 000	24 100	17.4

Ball bearings

Set screw type

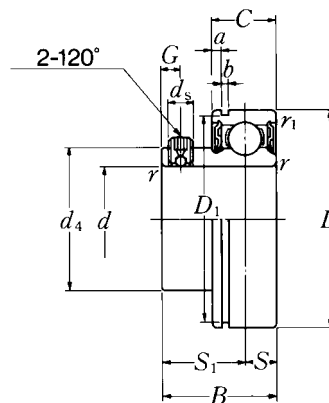


Shaft dia.	Bearing number ¹⁾	Nominal dimensions									
		<i>d</i>	<i>D</i>	<i>B</i>	<i>C</i>	mm <i>r_s</i> min.	inch <i>r_s</i> min.	<i>S</i>	<i>S₁</i>	<i>G</i>	<i>ds</i>
95	UCS319D1	95	200	103	51	3	2.5	41	62	16	M16 × 1.5
3^{3/8}	UCS319-310D1	3.6250									
3^{11/16}	UCS319-311D1	3.6875	7.8740	4.0551	2.0079	0.118	0.098	1.614	2.441	0.630	3/8-18UNF
3^{7/8}	UCS319-312D1	3.7500									
100	UCS320D1	100	215	108	55	3	2.5	42	66	18	M18 × 1.5
3^{13/16}	UCS320-313D1	3.8125									
3^{7/8}	UCS320-314D1	3.8750	8.4646	4.2520	2.1654	0.118	0.098	1.654	2.598	0.709	3/8-18UNF
3^{15/16}	UCS320-315D1	3.9375									
4	UCS320-400D1	4.0000									
105	UCS321D1	105	225	112	57	3	2.5	44	68	18	M18 × 1.5
110	UCS322D1	110	240	117	59	3	2.5	46	71	18	M18 × 1.5
120	UCS324D1	120	260	126	63	3	3	51	75	18	M18 × 1.5
130	UCS326D1	130	280	135	67	4	3	54	81	20	M20 × 1.5
140	UCS328D1	140	300	145	71	4	3	59	86	20	M20 × 1.5

Remarks: 1) These numbers indicate relubricatable type. If maintenance free type is needed, please order without suffix "D1".

Nominal dimensions		Basic load ratings		Mass
mm d_1	inch F	N dynamic C_r	lbf static C_{or}	kg lb
127.5	8.7	153 000	119 000	8.97 20.5
5.0197	0.343	34 500	26 600	20.1 19.7
135.6	9	173 000	141 000	11.1 25.4
5.3386	0.354	39 000	31 500	24.9 24.5 24.1
142.1	9.2	184 000	153 000	12.6
151.7	9	205 000	179 000	14.7
165.2	10	207 000	185 000	19.0
178.3	10.5	229 000	214 000	23.6
190.4	11.5	253 000	246 000	29.2

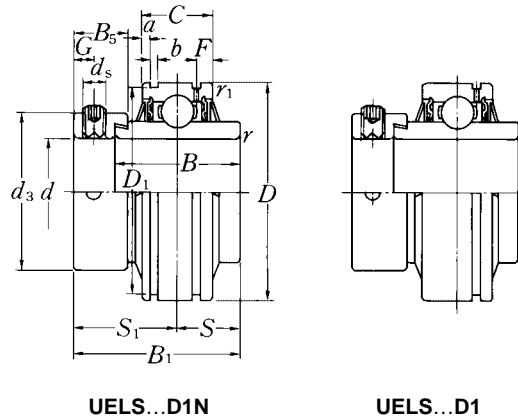
Ball bearings
Set screw type



Shaft dia. mm inch	Bearing number ¹⁾	Nominal dimensions										
		<i>d</i>	<i>D</i>	<i>B</i>	<i>C</i>	<i>r_s</i> mm min.	<i>r_s</i> mm min.	inch <i>S</i>	<i>S</i> ₁	<i>G</i>	<i>d_s</i>	<i>d</i> ₁
12 1/2	ASS201N ASS201-008N	12 0.5000	40 1.5748	22 0.8661	12 0.4724	0.6 0.024	0.6 0.024	6 0.236	16 0.630	4.2 0.165	M5 × 0.8 No.10-32UNF	24.3 0.957
15 5/8	ASS202N ASS202-009N ASS202-010N	15 0.5625 0.6250	40 1.5748	22 0.8661	12 0.4724	0.6 0.024	0.6 0.024	6 0.236	16 0.630	4.2 0.165	M5 × 0.8 No.10-32UNF	24.3 0.957
17 1 1/8	ASS203N ASS203-011N	17 0.6875	40 1.5748	22 0.8661	12 0.4724	0.6 0.024	0.6 0.024	6 0.236	16 0.630	4.2 0.165	M5 × 0.8 No.10-32UNF	24.3 0.957
20 3/4	ASS204N ASS204-012N	20 0.7500	47 1.8504	25 0.9843	14 0.5512	1 0.039	0.6 0.024	7 0.276	18 0.709	4.2 0.165	M5 × 0.8 No.10-32UNF	29.6 1.165
25 1 1/8 1 1/4 1	ASS205N ASS205-013N ASS205-014N ASS205-015N ASS205-100N	25 0.8125 0.8750 0.9375 1.0000	52 2.0472	27 1.0630	15 0.5906	1 0.039	0.6 0.024	7.5 0.295	19.5 0.768	5 0.197	M5 × 0.8 No.10-32UNF	33.9 1.335
30 1 1/8 1 1/4 1 1/2 1 3/4	ASS206N ASS206-101N ASS206-102N ASS206-103N ASS206-104N	30 1.0625 1.1250 1.1875 1.2500	62 2.4409	29 1.1417	16 0.6299	1 0.039	0.6 0.024	8 0.315	21 0.827	5 0.197	M6 × 0.75 1/4-28UNF	40.8 1.606
35 1 1/4 1 3/8 1 7/8 1 7/16	ASS207N ASS207-104N ASS207-105N ASS207-106N ASS207-107N	35 1.2500 1.3125 1.3750 1.4375	72 2.8346	34 1.3386	17 0.6693	1.5 0.059	0.6 0.024	8.5 0.335	25.5 1.004	6 0.236	M6 × 0.75 1/4-28UNF	46.8 1.843
40 1 1/2 1 5/8	ASS208N ASS208-108N ASS208-109N	40 1.5000 1.5625	80 3.1496	38 1.4961	18 0.7087	1.5 0.059	0.6 0.024	9 0.354	29 1.142	8 0.315	M8 × 1 3/8-24UNF	53 2.087

Nominal dimensions			Basic load ratings		Mass
D_1	mm a	inch b	N dynamic C_r	lbf static C_{or}	kg lb
38.1	1.98	1.5	9 600	4 600	0.12
1.500	0.078	0.059	2 160	1 030	0.24
38.1	1.98	1.5	9 600	4 600	0.11
1.500	0.078	0.059	2 160	1 030	0.23
					0.22
38.1	1.98	1.5	9 600	4 600	0.10
1.500	0.078	0.059	2 160	1 030	0.20
44.6	2.38	1.5	12 800	6 650	0.17
1.756	0.094	0.059	2 890	1 500	0.33
49.73	2.38	1.5	14 000	7 850	0.20
					0.46
1.958	0.094	0.059	3 150	1 770	0.44
					0.42
					0.39
59.61	3.18	2.05	19 500	11 300	0.31
					0.67
2.347	0.125	0.081	4 400	2 540	0.65
					0.63
					0.61
68.81	3.18	2.05	25 700	15 300	0.49
					1.18
2.709	0.125	0.081	5 750	3 450	1.05
					0.93
					0.81
76.81	3.18	2.05	29 100	17 800	0.50
					1.15
3.024	0.125	0.081	6 550	4 000	1.06

Ball bearings
Eccentric locking collar type

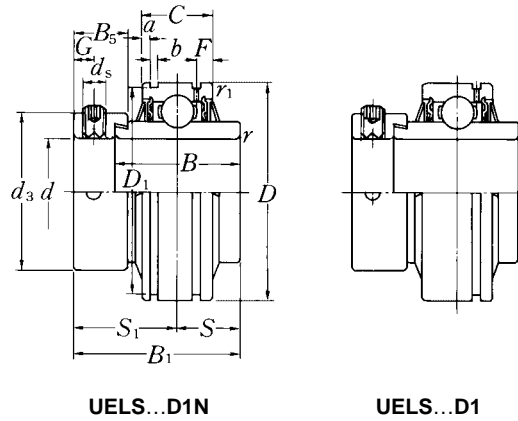


Shaft dia. mm inch	Bearing number ¹⁾	Nominal dimensions										
		<i>d</i>	<i>D</i>	<i>B</i> ₁	<i>B</i>	<i>C</i>	<i>r</i> _s min.	<i>r</i> _s min.	<i>S</i>	<i>S</i> ₁	<i>G</i>	
20 #4	UELS204LD1NW3 UELS204-012LD1NW3	20 0.7500	47 1.8504	43.7 1.720	34.2 1.3465	17 0.6693	1 0.039	0.6 0.024	17.1 0.673	26.6 1.047	4.8 0.189	
25 1#7/6 #8 1#7/6 1	UELS205LD1NW3 UELS205-013LD1NW3 UELS205-014LD1NW3 UELS205-015LD1NW3 UELS205-100LD1NW3	25 0.8125 0.8750 0.9375 1.0000	52 2.0472	44.4 1.748	34.9 1.3740	17 0.6693	1 0.039	0.6 0.024	17.5 0.689	26.9 1.059	4.8 0.189	
30 1#7/6 1#8 1#7/6 1#4	UELS206LD1NW3 UELS206-101LD1NW3 UELS206-102LD1NW3 UELS206-103LD1NW3 UELS206-104LD1NW3	30 1.0625 1.1250 1.1875 1.2500	62 2.4409	48.4 1.906	36.5 1.4370	19 0.7480	1 0.039	1 0.039	18.3 0.720	30.1 1.185	6 0.236	
35 1#4 1#7/6 1#8 1#7/6	UELS207LD1NW3 UELS207-104LD1NW3 UELS207-105LD1NW3 UELS207-106LD1NW3 UELS207-107LD1NW3	35 1.2500 1.3125 1.3750 1.4375	72 2.8346	51.1 2.012	37.6 1.4803	20 0.7874	1.5 0.059	1.5 0.059	18.8 0.740	32.3 1.272	6.8 0.268	
40 1#2 1#7/6	UELS208LD1NW3 UELS208-108LD1NW3 UELS208-109LD1NW3	40 1.5000 1.5625	80 3.1496	56.3 2.217	42.8 1.6850	21 0.8268	1.5 0.059	1.5 0.059	21.4 0.843	34.9 1.374	6.8 0.268	
45 1#8 1#17/6 1#4	UELS209LD1NW3 UELS209-110LD1NW3 UELS209-111LD1NW3 UELS209-112LD1NW3	45 1.6250 1.6875 1.7500	85 3.3465	56.3 2.217	42.8 1.6850	22 0.8661	1.5 0.059	1.5 0.059	21.4 0.843	34.9 1.374	6.8 0.268	
50 1##7/6 1#8 1#7/6 2	UELS210LD1NW3 UELS210-113LD1NW3 UELS210-114LD1NW3 UELS210-115LD1NW3 UELS210-200LD1NW3	50 1.8125 1.8750 1.9375 2.0000	90 3.5433	62.7 2.469	49.2 1.9370	24 0.9449	1.5 0.059	1.5 0.059	24.6 0.969	38.1 1.500	6.8 0.268	

Remarks: 1) These numbers indicate relubricatable type. If maintenance free type is needed, please order without suffix "D1".

Nominal dimensions							Basic load ratings		Mass
d_s	d_s	mm B_s	inch D_1	a	b	F	N dynamic C_r	lbf static C_{or}	kg lb
M6 × 0.75	33	13.5	44.6	3.1	1.5	4	12 800	6 650	0.23
¼-28UNF	1.299	0.531	1.756	0.122	0.059	0.157	2 890	1 500	0.45
M6 × 0.75	38	13.5	49.73	3.2	1.5	4.1	14 000	7 850	0.27
¼-28UNF	1.496	0.531	1.958	0.126	0.059	0.161	3 150	1 770	0.61
									0.58
									0.55
									0.51
M8 × 1	44.5	15.9	59.61	3.2	2.05	4.2	19 500	11 300	0.45
¾-24UNF	1.752	0.626	2.347	0.126	0.081	0.165	4 400	2 540	0.94
									0.89
									0.84
									0.80
M10 × 1.25	55.5	17.5	68.81	3.3	2.05	5	25 700	15 300	0.60
⅝-24UNF	2.185	0.689	2.709	0.130	0.081	0.197	5 750	3 450	1.45
									1.40
									1.35
									1.28
M10 × 1.25	60	18.3	76.81	3.4	2.05	5	29 100	17 800	0.79
⅝-24UNF	2.362	0.720	3.024	0.134	0.081	0.197	6 550	4 000	1.90
									1.82
M10 × 1.25	63.5	18.3	81.81	3.5	2.05	5.1	32 500	20 400	0.85
⅝-24UNF	2.500	0.720	3.221	0.138	0.081	0.201	7 350	4 600	2.05
									1.97
									1.88
M10 × 1.25	69.5	18.3	86.79	3.7	2.85	5.6	35 000	23 200	0.98
⅝-24UNF	2.736	0.720	3.417	0.146	0.112	0.220	7 900	5 200	2.46
									2.36
									2.25
									2.09

Ball bearings
Eccentric locking collar type

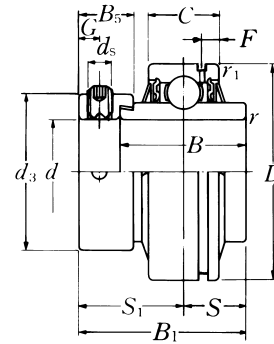


Shaft dia. mm inch	Bearing number ¹⁾	Nominal dimensions									
		<i>d</i>	<i>D</i>	<i>B</i> ₁	<i>B</i>	<i>C</i>	<i>r</i> _s min.	<i>r</i> _s min.	<i>S</i>	<i>S</i> ₁	<i>G</i>
55	UELS211LD1NW3	55	100	71.4	55.5	25	2	2	27.8	43.6	8
2	UELS211-200LD1NW3	2.0000									
2 1/16	UELS211-201LD1NW3	2.0625	3.9370	2.811	2.1850	0.9843	0.079	0.079	1.094	1.717	0.315
2 1/8	UELS211-202LD1NW3	2.1250									
2 3/16	UELS211-203LD1NW3	2.1875									
60	UELS212LD1NW3	60	110	77.8	61.9	27	2	2	31	46.8	8
2 1/4	UELS212-204LD1NW3	2.2500									
2 5/16	UELS212-205LD1NW3	2.3125	4.3307	3.063	2.4370	1.0630	0.079	0.079	1.220	1.843	0.315
2 3/8	UELS212-206LD1NW3	2.3750									
2 7/16	UELS212-207LD1NW3	2.4375									

Remarks: 1) These numbers indicate relubricatable type. If maintenance free type is needed, please order without suffix "D1".

Nominal dimensions							Basic load ratings		Mass
d_s	d_s	mm B_s	inch D_1	a	b	F	N dynamic C_r	lbf static C_{or}	kg lb
M10 × 1.25	76	20.7	96.80	4.4	2.85	5.9	43 500	29 200	1.32 3.28
#8-24UNF	2.992	0.815	3.811	0.173	0.112	0.232	9 750	6 550	3.12 3.02 2.90
M10 × 1.25	84	22.3	106.81	4.4	2.85	6	52 500	36 000	1.93 4.50
#8-24UNF	3.307	0.878	4.205	0.173	0.112	0.236	11 800	8 150	4.34 4.17 4.00

Ball bearings
Eccentric locking collar type

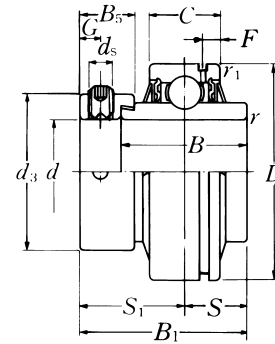


Shaft dia.	Bearing number ¹⁾	Nominal dimensions										
		<i>d</i>	<i>D</i>	<i>B_i</i>	<i>B</i>	<i>C</i>	<i>r_s</i> mm	<i>r_s</i> inch	<i>S</i>	<i>S₁</i>	<i>G</i>	<i>ds</i>
25	UELS305D1W3	25	62	46.8	34.9	20	1.5	0.6	16.7	30.1	6	M8 × 1
1 ¹ / ₁₆	UELS305-013D1W3	0.8125										
3 ¹ / ₁₆	UELS305-014D1W3	0.8750	2.4409	1.843	1.3740	0.7874	0.059	0.024	0.657	1.185	0.236	3 ¹ / ₁₆ -24UNF
1 ¹ / ₈	UELS305-015D1W3	0.9375										
1	UELS305-100D1W3	1.0000										
30	UELS306D1W3	30	72	50	36.5	23	1.5	1	17.5	32.5	6.7	M8 × 1
1 ¹ / ₁₆	UELS306-101D1W3	1.0625										
1 ¹ / ₈	UELS306-102D1W3	1.1250	2.8346	1.969	1.4370	0.9055	0.059	0.039	0.689	1.280	0.264	3 ¹ / ₁₆ -24UNF
1 ³ / ₁₆	UELS306-103D1W3	1.1875										
35	UELS307D1W3	35	80	51.6	38.1	25	2	1	18.3	33.3	6.7	M8 × 1
1 ¹ / ₄	UELS307-104D1W3	1.2500										
1 ³ / ₁₆	UELS307-105D1W3	1.3125	3.1496	2.031	1.5000	0.9843	0.079	0.039	0.720	1.311	0.264	3 ¹ / ₁₆ -24UNF
1 ⁵ / ₁₆	UELS307-106D1W3	1.3750										
1 ⁷ / ₁₆	UELS307-107D1W3	1.4375										
40	UELS308D1W3	40	90	57.1	41.3	27	2	1	19.8	37.3	8	M10 × 1.25
1 ¹ / ₂	UELS308-108D1W3	1.5000	3.5433	2.248	1.6260	1.0630	0.079	0.039	0.780	1.469	0.315	3 ¹ / ₈ -24UNF
1 ¹ / ₈	UELS308-109D1W3	1.5625										
45	UELS309D1W3	45	100	58.7	42.9	29	2	1	19.8	38.9	8	M10 × 1.25
1 ⁵ / ₈	UELS309-110D1W3	1.6250										
1 ¹¹ / ₁₆	UELS309-111D1W3	1.6875	3.9370	2.311	1.6890	1.1417	0.079	0.039	0.780	1.531	0.315	3 ¹ / ₈ -24UNF
1 ³ / ₄	UELS309-112D1W3	1.7500										
50	UELS310D1W3	50	110	66.6	49.2	32	2.5	1.5	24.6	42	8.7	M10 × 1.25
1 ¹ / ₁₆	UELS310-113D1W3	1.8125										
1 ⁵ / ₈	UELS310-114D1W3	1.8750	4.3307	2.622	1.9370	1.2598	0.098	0.059	0.969	1.654	0.343	3 ¹ / ₈ -24UNF
1 ¹ / ₈	UELS310-115D1W3	1.9375										
55	UELS311D1W3	55	120	73	55.6	34	2.5	1.5	27.8	45.2	8.7	M10 × 1.25
2	UELS311-200D1W3	2.0000										
2 ¹ / ₁₆	UELS311-201D1W3	2.0625	4.7244	2.874	2.1890	1.3386	0.098	0.059	1.094	1.780	0.343	3 ¹ / ₈ -24UNF
2 ¹ / ₈	UELS311-202D1W3	2.1250										
2 ³ / ₁₆	UELS311-203D1W3	2.1875										

Remarks: 1) These numbers indicate relubricatable type. If maintenance free type is needed, please order without suffix "D1".

Nominal dimensions			Basic load ratings		Mass
d_s	mm B_s	inch F	N dynamic C_r	lbf static C_{or}	kg lb
42.8	15.9	4.3	21 200	10 900	0.45 1.13
1.685	0.626	0.169	4 750	2 460	1.09 1.05 1.00
50	17.5	5.1	26 700	15 000	0.71 1.62
1.969	0.689	0.201	6 000	3 400	1.56 1.50
55	17.5	5.3	33 500	19 100	0.83 1.99
2.165	0.689	0.209	7 500	4 300	1.91 1.84 1.76
63.5	20.6	5.6	40 500	24 000	1.12 2.67
2.500	0.811	0.220	9 150	5 400	2.58
70	20.6	5.8	53 000	32 000	1.50 3.26
2.756	0.811	0.228	11 900	7 200	3.37 3.26
76.2	22.2	6.3	62 000	38 500	1.93 4.55
3.000	0.874	0.248	13 900	8 600	4.44 4.30
83	22.2	6.5	71 500	45 000	2.42 5.76
3.268	0.874	0.256	16 100	10 100	5.57 5.43 5.26

Ball bearings
Eccentric locking collar type

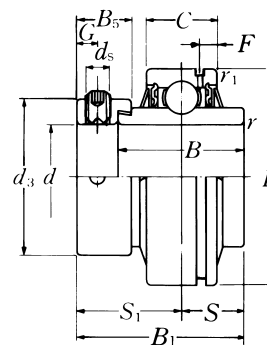


Shaft dia. mm inch	Bearing number ¹⁾	Nominal dimensions										
		<i>d</i>	<i>D</i>	<i>B_i</i>	<i>B</i>	<i>C</i>	<i>r_s</i> mm min.	<i>r_s</i> inch min.	<i>S</i>	<i>S_i</i>	<i>G</i>	<i>ds</i>
60	UELS312D1W3	60	130	79.4	61.9	36	2.5	1.5	30.95	48.45	8.7	M10 × 1.25
21/4	UELS312-204D1W3	2.2500										
2 1/8	UELS312-205D1W3	2.3125	5.1181	3.126	2.4370	1.4173	0.098	0.059	1.219	1.907	0.343	#8-24UNF
2 3/8	UELS312-206D1W3	2.3750										
2 7/8	UELS312-207D1W3	2.4375										
65	UELS313D1W3	65	140	85.7	65.1	39	2.5	2	32.55	53.15	10.3	M12 × 1.5
2 1/2	UELS313-208D1W3	2.5000	5.5118	3.374	2.5630	1.5354	0.098	0.079	1.281	2.093	0.406	!2-20UNF
2 7/8	UELS313-209D1W3	2.5625										
70	UELS314D1W3	70	150	92.1	68.3	41	2.5	2	34.15	57.95	10.3	M12 × 1.5
2 3/8	UELS314-210D1W3	2.6250										
2 1 1/8	UELS314-211D1W3	2.6875	5.9055	3.626	2.6890	1.6142	0.098	0.079	1.344	2.281	0.406	!2-20UNF
2 3/4	UELS314-212D1W3	2.7500										
75	UELS315D1W3	75	160	100	74.6	43	2.5	2	37.3	62.7	12.7	M16 × 1.5
2 1 3/8	UELS315-213D1W3	2.8125										
2 3/8	UELS315-214D1W3	2.8750	6.2992	3.937	2.9370	1.6929	0.098	0.079	1.469	2.469	0.500	3/8-18UNF
2 1 1/8	UELS315-215D1W3	2.9375										
3	UELS315-300D1W3	3.0000										
80	UELS316D1W3	80	170	106.4	81	45	2.5	2	40.5	65.9	12.7	M16 × 1.5
3 1/8	UELS316-301D1W3	3.0625										
3 1/8	UELS316-302D1W3	3.1250	6.6929	4.189	3.1890	1.7717	0.098	0.079	1.594	2.594	0.500	3/8-18UNF
3 3/8	UELS316-303D1W3	3.1875										
85	UELS317D1W3	85	180	109.5	84.1	47	3	2.5	42.05	67.45	12.7	M16 × 1.5
3 1/4	UELS317-304D1W3	3.2500										
3 3/8	UELS317-305D1W3	3.3125	7.0866	4.311	3.3110	1.8504	0.118	0.098	1.656	2.656	0.500	3/8-18UNF
3 7/8	UELS317-307D1W3	3.4375										
90	UELS318D1W3	90	190	115.9	87.3	49	3	2.5	43.65	72.25	14.3	M20 × 1.5
3 3/8	UELS318-307D1W3	3.4375	7.4803	4.563	3.4370	1.9291	0.118	0.098	1.719	2.844	0.563	#4-16UNF
3 1/2	UELS318-308D1W3	3.5000										

Remarks: 1) These numbers indicate relubricatable type. If maintenance free type is needed, please order without suffix "D1".

Nominal dimensions			Basic load ratings		Mass
<i>d</i> _s	mm <i>B</i> _s	inch <i>F</i>	N dynamic <i>C</i> _r	lbf static <i>C</i> _{or}	kg lb
89	23.9	6.7	82 000	52 000	3.04 7.01
3.504	0.941	0.264	18 400	11 700	6.86 6.69 6.40
97	27	7.5	92 500	60 000	3.79 8.76
3.819	1.063	0.295	20 800	13 400	8.55
102	30.2	7.5	104 000	68 000	4.54 10.7
4.016	1.189	0.295	23 400	15 300	10.5 10.2
113	31.8	7.7	113 000	77 000	5.50 13.5
4.449	1.252	0.303	25 500	17 400	13.2 13.0 12.9
119	31.8	7.8	123 000	86 500	6.89 15.3
4.685	1.252	0.307	27 600	19 500	15.0 15.3
127	31.8	8.2	133 000	97 000	8.21 18.2
5.000	1.252	0.323	29 800	21 800	17.9 17.2
133	36.5	8.5	143 000	107 000	9.34 21.2
5.236	1.437	0.335	32 000	24 100	20.7

Ball bearings
Eccentric locking collar type

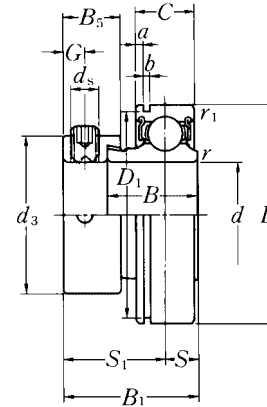


Shaft dia.	Bearing number ¹⁾	Nominal dimensions										
		<i>d</i>	<i>D</i>	<i>B₁</i>	<i>B</i>	<i>C</i>	<i>r_s</i> mm	<i>r_s</i> inch	<i>S</i>	<i>S₁</i>	<i>G</i>	<i>ds</i>
95	UELS319D1W3	95	200	122.3	93.7	51	3	2.5	38.9	83.4	14.3	M20 × 1.5
3/8	UELS319-310D1W3	3.6250										
31/16	UELS319-311D1W3	3.6875	7.8740	4.815	3.6890	2.0079	0.118	0.098	1.531	3.283	0.563	#4-16UNF
3/4	UELS319-312D1W3	3.7500										
100	UELS320D1W3	100	215	128.6	100	55	3	2.5	50	78.6	14.3	M20 × 1.5
31/16	UELS320-313D1W3	3.8125										
3/8	UELS320-314D1W3	3.8750	8.4646	5.063	3.9370	2.1654	0.118	0.098	1.969	3.094	0.563	#4-16UNF
31/16	UELS320-315D1W3	3.9375										
4	UELS320-400D1W3	4.0000										
105	UELS321D1W3	105	225	139.7	104.8	57	3	2.5	48.4	91.3	17.5	M20 × 1.5
110	UELS322D1W3	110	240	141.3	106.4	59	3	2.5	49.2	92.1	17.5	M20 × 1.5

Remarks: 1) These numbers indicate relubricatable type. If maintenance free type is needed, please order without suffix "D1".

Nominal dimensions			Basic load ratings		Mass
d_3	mm B_3	inch F	N dynamic C_r	lbf static C_{or}	kg lb
140	36.5	8.7	153 000	119 000	10.7 24.0
5.512	1.437	0.343	34 500	26 600	23.6 23.2
146	36.5	9	173 000	141 000	13.3 29.2
5.748	1.437	0.354	39 000	31 500	28.7 28.3 27.8
157	42.8	9.2	184 000	153 000	15.0
168	42.8	9	205 000	179 000	17.6

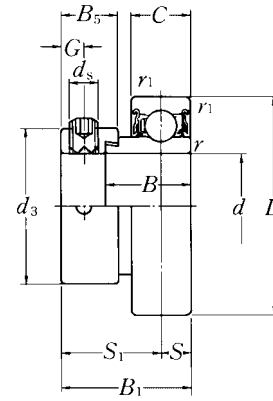
Ball bearings
Eccentric locking collar type



Shaft dia. mm inch	Bearing number	Nominal dimensions										
		<i>d</i>	<i>D</i>	<i>B_i</i>	<i>B</i>	<i>C</i>	<i>r_s</i> mm min.	<i>r_s</i> inch min.	<i>S</i>	<i>S_i</i>	<i>G</i>	<i>ds</i>
12 1/2	AELS201NW3	12	40	28.6	19	12	0.6	0.6	6.5	22.1	4.8	M6 × 0.75
	AELS201-008NW3	0.5000	1.5748	1.126	0.7480	0.4724	0.024	0.024	0.256	0.870	0.189	1/4-28UNF
15 5/8	AELS202NW3	15	40	28.6	19	12	0.6	0.6	6.5	22.1	4.8	M6 × 0.75
	AELS202-009NW3	0.5625	1.5748	1.126	0.7480	0.4724	0.024	0.024	0.256	0.870	0.189	1/4-28UNF
	AELS202-010NW3	0.6250										
17 1 1/8	AELS203NW3	17	40	28.6	19	12	0.6	0.6	6.5	22.1	4.8	M6 × 0.75
	AELS203-011NW3	0.6875	1.5748	1.126	0.7480	0.4724	0.024	0.024	0.256	0.870	0.189	1/4-28UNF
20 3/4	AELS204NW3	20	47	31	21.5	14	1	0.6	7.5	23.5	4.8	M6 × 0.75
	AELS204-012NW3	0.7500	1.8504	1.220	0.8465	0.5512	0.039	0.024	0.295	0.925	0.189	1/4-28UNF
25 1 3/8 1 1/4 1	AELS205NW3	25	52	31	21.5	15	1	0.6	7.5	23.5	4.8	M6 × 0.75
	AELS205-013NW3	0.8125										
	AELS205-014NW3	0.8750	2.0472	1.220	0.8465	0.5906	0.039	0.024	0.295	0.925	0.189	1/4-28UNF
	AELS205-015NW3	0.9375										
30 1 1/8 1 1/8 1 3/8 1 1/4	AELS206NW3	30	62	35.7	23.8	16	1	0.6	9	26.7	6	M8 × 1
	AELS206-101NW3	1.0625										
	AELS206-102NW3	1.1250	2.4409	1.406	0.9370	0.6299	0.039	0.024	0.354	1.051	0.236	3/8-24UNF
	AELS206-103NW3	1.1875										
35 1 1/4 1 3/8 1 3/8 1 7/8	AELS207NW3	35	72	38.9	25.4	17	1.5	0.6	9.5	29.4	6.8	M10 × 1.25
	AELS207-104NW3	1.2500										
	AELS207-105NW3	1.3125	2.8346	1.531	1.0000	0.6693	0.059	0.024	0.374	1.157	0.268	3/8-24UNF
	AELS207-106NW3	1.3750										
40 1 1/2 1 3/8	AELS207-107NW3	1.4375										
	AELS208NW3	40	80	43.7	30.2	18	1.5	0.6	11	32.7	6.8	M10 × 1.25
	AELS208-108NW3	1.5000	3.1496	1.720	1.1890	0.7087	0.059	0.024	0.433	1.287	0.268	3/8-24UNF
	AELS208-109NW3	1.5625										

Nominal dimensions					Basic load ratings		Mass
d_b	mm D_1	inch a	b	B_3	N dynamic C_r	lbf static C_{0r}	kg lb
29 1.142	38.1 1.500	1.98 0.078	1.5 0.059	13.6 0.535	9 600 2 160	4 600 1 030	0.12 0.26
29 1.142	38.1 1.500	1.98 0.078	1.5 0.059	13.6 0.535	9 600 2 160	4 600 1 030	0.11 0.26 0.24
29 1.142	38.1 1.500	1.98 0.078	1.5 0.059	13.6 0.535	9 600 2 160	4 600 1 030	0.10 0.23
33 1.299	44.6 1.756	2.38 0.094	1.5 0.059	13.5 0.531	12 800 2 890	6 650 1 500	0.17 0.35
38 1.496	49.73 1.958	2.38 0.094	1.5 0.059	13.5 0.531	14 000 3 150	7 850 1 770	0.20 0.51 0.48 0.45 0.42
44.5 1.752	59.61 2.347	3.18 0.125	2.05 0.081	15.9 0.626	19 500 4 400	11 300 2 540	0.31 0.74 0.73 0.66 0.61
55.5 2.185	68.81 2.709	3.18 0.125	2.05 0.081	17.5 0.689	25 700 5 750	15 300 3 450	0.49 1.15 1.10 1.04 0.98
60 2.362	76.81 3.024	3.18 0.125	2.05 0.081	18.3 0.720	29 100 6 550	17 800 4 000	0.66 1.41 1.34

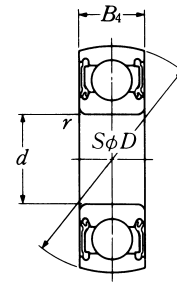
Ball bearings
Eccentric locking collar type



Shaft dia. mm inch	Bearing number	Nominal dimensions										
		<i>d</i>	<i>D</i>	<i>B</i> ₁	<i>B</i>	<i>C</i>	<i>r</i> _s mm min.	<i>r</i> _s inch min.	<i>S</i>	<i>S</i> ₁	<i>G</i>	<i>d</i> _s
12 1/2	JELS201W3 JELS201-008W3	12 0.5000	40 1.5748	28.6 1.126	19 0.7480	13 0.5118	0.6 0.024	0.4 0.016	6.5 0.256	22.1 0.870	4.8 0.189	M6 × 0.75 #4-28UNF
15 5/8 3/8	JELS202W3 JELS202-009W3 JELS202-010W3	15 0.5625 0.6250	40 1.5748	28.6 1.126	19 0.7480	13 0.5118	0.6 0.024	0.4 0.016	6.5 0.256	22.1 0.870	4.8 0.189	M6 × 0.75 #4-28UNF
17 1 1/8	JELS203W3 JELS203-011W3	17 0.6875	40 1.5748	28.6 1.126	19 0.7480	13 0.5118	0.6 0.024	0.4 0.016	6.5 0.256	22.1 0.870	4.8 0.189	M6 × 0.75 #4-28UNF
20 #4	JELS204W3 JELS204-012W3	20 0.7500	47 1.8504	31 1.220	21.5 0.8465	15 0.5906	1 0.039	0.6 0.024	7.5 0.295	23.5 0.925	4.8 0.189	M6 × 0.75 #4-28UNF
25 1 3/8 3/8 1 3/8 1	JELS205W3 JELS205-013W3 JELS205-014W3 JELS205-015W3 JELS205-100W3	25 0.8125 0.8750 0.9375 1.0000	52 2.0472	31 1.220	21.5 0.8465	15 0.5906	1 0.039	0.6 0.024	7.5 0.295	23.5 0.925	4.8 0.189	M6 × 0.75 #4-28UNF
30 1 1/8 1 1/8 1 3/8 1 1/4	JELS206W3 JELS206-101W3 JELS206-102W3 JELS206-103W3 JELS206-104W3	30 1.0625 1.1250 1.1875 1.2500	62 2.4409	35.7 1.406	23.8 0.9370	18 0.7087	1 0.039	1 0.039	9 0.354	26.7 1.051	6 0.236	M8 × 1 3/8-24UNF
35 1 1/4 1 3/8 1 3/8 1 3/8	JELS207W3 JELS207-104W3 JELS207-105W3 JELS207-106W3 JELS207-107W3	35 1.2500 1.3125 1.3750 1.4375	72 2.8346	38.9 1.531	25.4 1.0000	19 0.7480	1.5 0.059	1.5 0.059	9.5 0.374	29.4 1.157	6.8 0.268	M10 × 1.25 #8-24UNF
40 1 1/2 1 3/8	JELS208W3 JELS208-108W3 JELS208-109W3	40 1.5000 1.5625	80 3.1496	43.7 1.720	30.2 1.1890	22 0.8661	1.5 0.059	1.5 0.059	11 0.433	32.7 1.287	6.8 0.268	M10 × 1.25 #8-24UNF

Nominal dimensions		Basic load ratings		Mass
mm <i>d_s</i>	inch <i>B_s</i>	N dynamic <i>C_r</i>	lbf static <i>C_{0r}</i>	kg lb
29 1.142	13.6 0.535	9 600 2 160	4 600 1 030	0.13 0.28
29 1.142	13.6 0.535	9 600 2 160	4 600 1 030	0.13 0.26 0.24
29 1.142	13.6 0.535	9 600 2 160	4 600 1 030	0.10 0.22
33 1.299	13.5 0.531	12 800 2 890	6 650 1 500	0.18 0.42
38 1.496	13.5 0.531	14 000 3 150	7 850 1 770	0.20 0.54 0.51 0.48 0.44
44.5 1.752	15.9 0.626	19 500 4 400	11 300 2 540	0.34 0.84 0.79 0.75 0.70
55.5 2.185	17.5 0.689	25 700 5 750	15 300 3 450	0.53 1.29 1.24 1.18 1.12
60 2.362	18.3 0.720	29 100 6 550	17 800 4 000	0.71 1.64 1.57

Ball bearings

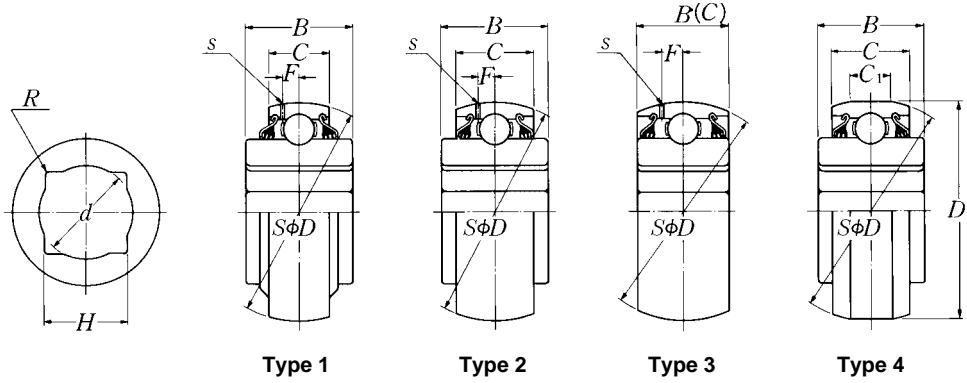


Shaft dia. mm	Bearing number	Nominal dimensions				Basic load ratings		Mass	
		d	mm D	inch B_1	$r_s^{1)}$ min.	N dynamic C_r	lbf static C_{or}	kg	lb
10	CS200LLU	10	30	9	0.6	3 950	2 250	0.03	
		0.3937	1.1811	0.354	0.024	885	505	0.07	
12	CS201LLU	12	32	10	0.6	4 700	2 640	0.04	
		0.4724	1.2598	0.394	0.024	1 050	595	0.09	
15	CS202LLU	15	35	11	0.6	5 950	3 450	0.04	
		0.5906	1.3780	0.433	0.024	1 340	775	0.09	
17	CS203LLU	17	40	12	0.6	7 400	4 400	0.06	
		0.6693	1.5748	0.472	0.024	1 660	985	0.13	
20	CS204LLU	20	47	14	1	9 900	6 250	0.10	
		0.7874	1.8504	0.551	0.039	2 220	1 410	0.22	
25	CS205LLU	25	52	15	1	10 800	7 150	0.13	
		0.9843	2.0472	0.591	0.039	2 430	1 610	0.29	
30	CS206LLU	30	62	16	1	15 000	10 300	0.20	
		1.1811	2.4409	0.630	0.039	3 350	2 320	0.44	
35	CS207LLU	35	72	17	1.5	19 700	14 000	0.29	
		1.3780	2.8346	0.669	0.059	4 450	3 150	0.64	
40	CS208LLU	40	80	18	1.5	22 400	16 200	0.37	
		1.5748	3.1496	0.709	0.059	5 050	3 650	0.82	

Note: Symbols

 Δd_{mp} : Mean bore diameter deviation ΔB_s : Inner ring width deviation ΔC_s : Outer ring width deviation

Ball bearing, square bore, spherical O.D.

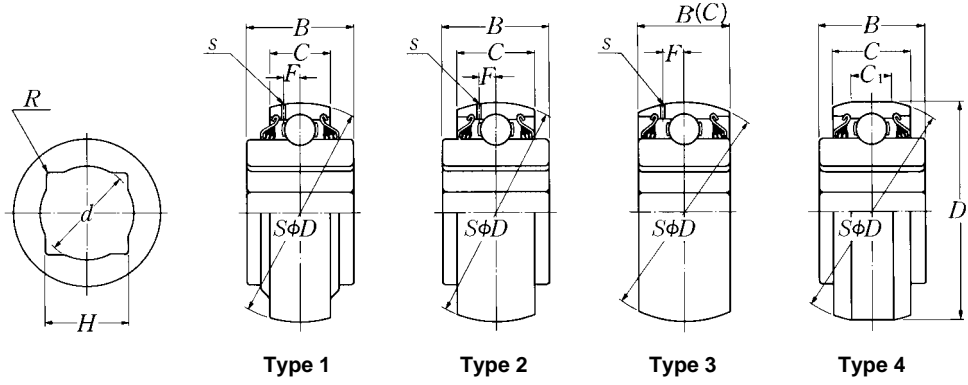


Shaft size inch	Bearing ¹⁾ number	Type	Nominal dimensions								
			<i>H</i>	<i>d</i> max.	<i>R</i> ²⁾ max.	mm	inch	<i>D</i>	<i>C</i>	<i>B</i>	
⌀	1AS08-⌀	1	22.987 ± 0.127	24.4	2.25	80	0 - 0.013	18	0 - 0.12	36.5	0 - 0.12
			0.9050 ± 0.0050	0.961	0.089	3.1496	0 - 0.0005	0.7087	0 - 0.0047	1.4370	0 - 0.0047
⌀	4AS08-⌀	4	22.987 ± 0.127	24.4	2.25	87.338	0 - 0.025	30.2	0 - 0.12	36.5	0 - 0.12
			0.9050 ± 0.0050	0.961	0.089	3.4385	0 - 0.0010	1.1890	0 - 0.0047	1.4370	0 - 0.0047
1	1AS08-1	1	26.162 ± 0.127	27.8	2.25	80	0 - 0.013	18	0 - 0.12	36.5	0 - 0.12
			1.0300 ± 0.0050	1.095	0.089	3.1496	0 - 0.0005	0.7087	0 - 0.0047	1.4370	0 - 0.0047
1	2AS08-1D1	2	26.162 ± 0.127	27.8	2.25	80	0 - 0.013	30.2	0 - 0.12	36.5	0 - 0.12
			1.0300 ± 0.0050	1.095	0.089	3.1496	0 - 0.0005	1.1890	0 - 0.0047	1.4370	0 - 0.0047
1	4AS08-1	4	26.162 ± 0.127	27.8	2.25	87.338	0 - 0.025	30.2	0 - 0.12	36.5	0 - 0.12
			1.0300 ± 0.0050	1.095	0.089	3.4385	0 - 0.0010	1.1890	0 - 0.0047	1.4370	0 - 0.0047
1!⌀	1AS08-1. !⌀	1	29.972 ± 0.127	31.4	2.25	80	0 - 0.013	18	0 - 0.12	36.5	0 - 0.12
			1.1800 ± 0.0050	1.236	0.089	3.1496	0 - 0.0005	0.7087	0 - 0.0047	1.4370	0 - 0.0047
1!⌀	2AS08-1. !⌀D1	2	29.972 ± 0.127	31.4	2.25	80	0 - 0.013	30.2	0 - 0.12	36.5	0 - 0.12
			1.1800 ± 0.0050	1.236	0.089	3.1496	0 - 0.0005	1.1890	0 - 0.0047	1.4370	0 - 0.0047

Remarks: 1) Bearings suffixed with D1 have oil holes on the outer ring.
 2) *R* min.: 0.059 inch except 3AS14-2D1 *R* min.: 0.118 inch.

Nominal dimensions					Basic load ratings		Mass	
D_1	mm	inch	s	F	N dynamic C_r	lbf static C_{0r}	kg	lb
-	-	-	-	-	29 100	17 800	0.73	
-	-	-	-	-	6 550	4 000	1.61	
85.750	0 - 0.025	16.6	-	-	29 100	17 800	0.93	
3.3760	0 - 0.0010	0.6535	-	-	6 550	4 000	2.05	
-	-	-	-	-	29 100	17 800	0.68	
-	-	-	-	-	6 550	4 000	1.50	
-	-	-	2.2	6.6	29 100	17 800	0.76	
-	-	-	0.087	0.260	6 550	4 000	1.68	
85.750	0 - 0.025	16.6	-	-	29 100	17 800	0.89	
3.3760	0 - 0.0010	0.6535	-	-	6 550	4 000	1.96	
-	-	-	-	-	29 100	17 800	0.60	
-	-	-	-	-	6 550	4 000	1.32	
-	-	-	2.2	6.6	29 100	17 800	0.70	
-	-	-	0.087	0.260	6 550	4 000	1.54	

Ball bearing, square bore, spherical O.D.

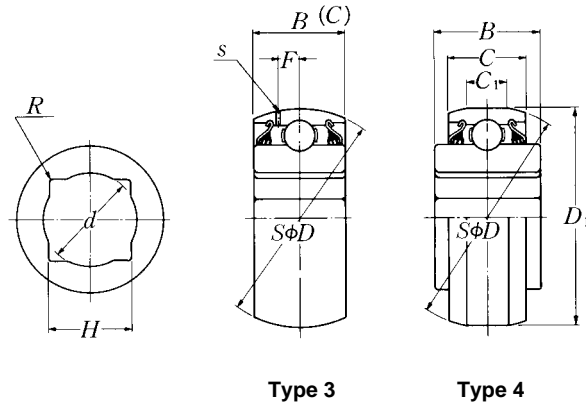


Shaft size inch	Bearing ¹⁾ number	Type	Nominal dimensions								
			<i>H</i>	<i>d</i> max.	<i>R</i> ²⁾ max.	mm	inch	<i>D</i>	<i>C</i>	<i>B</i>	
1 1/8	4AS08-1. 1/8	4	29.972 ± 0.127	31.4	2.25	87.338	0	30.2	0	36.5	0
			1.1800 ± 0.0050	1.236	0.089	3.4385	- 0.025	0	- 0.12	0	- 0.12
1 1/8	4AS08-1. 1/8D1	4	29.972 ± 0.127	31.4	2.25	87.338	0	30.2	0	36.5	0
			1.1800 ± 0.0050	1.236	0.089	3.4385	- 0.025	0	- 0.12	0	- 0.12
1 1/8	2AS09-1. 1/8	2	32.766 ± 0.127	34.8	2.25	85	0	30.2	0	36.5	0
			1.2900 ± 0.0050	1.370	0.089	3.3465	- 0.015	0	- 0.120	0	- 0.12
1 1/8	2AS09-1. 1/8D1	2	32.766 ± 0.127	34.8	2.25	85	0	30.2	0	36.5	0
			1.2900 ± 0.0050	1.370	0.089	3.3465	- 0.015	0	- 0.120	0	- 0.12
1 1/8	3AS10-1. 1/8	3	29.972 ± 0.127	31.4	2.25	90	0	30.2	0	30.2	0
			1.1800 ± 0.0050	1.236	0.089	3.5433	- 0.015	0	- 0.12	0	- 0.12
1 1/8	3AS10-1. 1/8D1	3	29.972 ± 0.127	31.4	2.25	90	0	30.2	0	30.2	0
			1.1800 ± 0.0050	1.236	0.089	3.5433	- 0.015	0	- 0.12	0	- 0.12
1 1/2	1AS11-1. 1/2	1	38.89 ± 0.127	41.2	2.25	100	0	25	0	44.45	0
			1.5311 ± 0.0050	1.622	0.089	3.9370	- 0.015	0	- 0.15	0	- 0.15
1 1/2	1AS11-1. 1/2D1	1	38.89 ± 0.127	41.2	2.25	100	0	25	0	44.45	0
			1.5311 ± 0.0050	1.622	0.089	3.9370	- 0.015	0	- 0.15	0	- 0.15

Remarks: 1) Bearings suffixed with D1 have oil holes on the outer ring.
 2) *R* min.: 0.059 inch except 3AS14-2D1 *R* min.: 0.118 inch.

Nominal dimensions					Basic load ratings		Mass	
D_1	mm	inch	s	F	N dynamic C_r	lbf static C_{0r}	kg	lb
85.750	0 - 0.025	16.6	-	-	29 100	17 800	0.90	
3.3760	0 - 0.0010	0.6535	-	-	6 550	4 000	1.99	
-	-	-	2.2	6.6	29 100	17 800	0.64	
-	-	-	0.087	0.260	6 550	4 000	1.41	
-	-	-	2.2	6.7	32 500	20 400	0.77	
-	-	-	0.087	0.264	7 350	4 600	1.70	
85.750	0 - 0.025	16.6	-	-	29 100	17 800	0.82	
3.3760	0 - 0.0010	0.6535	-	-	6 550	4 000	1.81	
-	-	-	2.2	6.7	35 000	23 200	0.98	
-	-	-	0.087	0.264	7 900	5 200	2.16	
-	-	-	2.2	6.7	35 000	23 200	0.88	
-	-	-	0.087	0.264	7 900	5 200	1.94	
-	-	-	2.5	7.6	43 500	29 200	1.19	
-	-	-	0.098	0.299	9 750	6 550	2.63	

Ball bearing, square bore, spherical O.D.

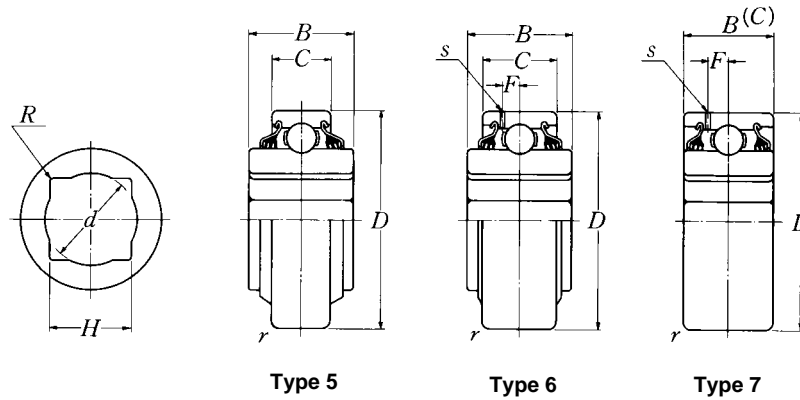


Shaft size inch	Bearing ¹⁾ number	Type	Nominal dimensions								
			<i>H</i>	<i>d</i> max.	<i>R</i> ²⁾ max.	mm	inch	<i>D</i>	<i>C</i>	<i>B</i>	
1 1/2	3AS11-1. !ZD1	3	38.89 ± 0.127	41.2	2.25	100	0	33.3	0	33.3	0
			- 0.015	- 0.15	- 0.075	0	0	0	0	0	
1 1/2	4AS11-1. !Z	4	1.5311 ± 0.0050	1.622	0.089	3.9370	0	1.3110	0	1.3110	0
			- 0.0006	- 0.0059	- 0.0006	0	0	0	0	0	
1 1/2	4AS11-1. !Z	4	38.89 ± 0.127	41.2	2.25	104.725	0	36.5	0	44.45	0
			- 0.025	- 0.15	- 0.125	0	0	0	0	0	
2	3AS14-2D1	3	1.5311 ± 0.0050	1.622	0.089	4.1230	0	1.4370	0	1.7500	0
			- 0.0010	- 0.0059	- 0.0010	0	0	0	0	0	
2	3AS14-2D1	3	52.2 ± 0.127	54.9	4.0	125	0	39.69	0	39.69	0
			- 0.020	- 0.15	- 0.20	0	0	0	0	0	
2	3AS14-2D1	3	2.0551 ± 0.0050	2.161	0.157	4.9213	0	1.5626	0	1.5626	0
			- 0.0008	- 0.0059	- 0.0008	0	0	0	0	0	

Remarks: 1) Bearings suffixed with D1 have oil holes on the outer ring.
 2) *R* min.: 0.059 inch except 3AS14-2D1 *R* min.: 0.118 inch.

Nominal dimensions					Basic load ratings		Mass	
D_1	mm	inch	s	F	N dynamic C_r	lbf static C_{or}	kg	lb
-	-	-	2.5	7.6	43 500	29 200	1.10	
-	-	-	0.098	0.299	9 750	6 550	2.43	
103.556	0 - 0.025	15.9	-	-	43 500	29 200	1.48	
4.0770	0 - 0.0010	0.6142	-	-	9 750	6 550	3.26	
-	-	0.6260	3.0	9.4	62 000	44 000	1.90	
-	-	-	0.118	0.370	14 000	9 900	4.19	

Ball bearing, square bore, cylindrical O.D.

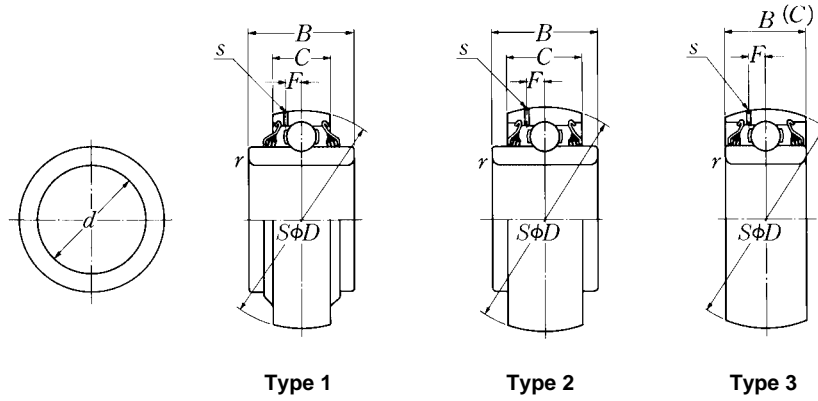


Shaft dia. inch	Bearing ¹⁾ number	Type	Nominal dimensions								
			<i>H</i>	<i>d</i> max.	<i>R</i> ²⁾ max.	mm	inch	<i>D</i>	<i>C</i>	<i>B</i>	
1	5AS08-1	5	26.162 ± 0.127	27.8	2.25	80	0	18	0	36.5	0
			1.0300 ± 0.0050	1.095	0.089	3.1496	- 0.013	0	- 0.12	0	1.4370
1	6AS08-1D1	6	26.162 ± 0.127	27.8	2.25	80	0	30.2	0	36.5	0
			1.0300 ± 0.0050	1.095	0.089	3.1496	- 0.013	0	- 0.12	0	1.4370
1 1/8	5AS08-1. 1/8	5	29.972 ± 0.127	31.4	2.25	80	0	18	0	36.5	0
			1.1800 ± 0.0050	1.236	0.089	3.1496	- 0.013	0	- 0.12	0	1.4370
1 1/8	6AS08-1. 1/8D1	6	29.972 ± 0.127	31.4	2.25	80	0	30.2	0	36.5	0
			1.1800 ± 0.0050	1.236	0.089	3.1496	- 0.013	0	- 0.12	0	1.4370
1 1/8	7AS10-1. 1/8D1	7	29.972 ± 0.127	31.4	2.25	90	0	30.2	0	30.2	0
			1.1800 ± 0.0050	1.236	0.089	3.5433	- 0.015	0	- 0.12	0	1.1890
1 1/2	7AS11-1. 1/2D1	7	38.89 ± 0.127	41.2	2.25	100	0	33.3	0	33.3	0
			1.5311 ± 0.0050	1.622	0.089	3.9370	- 0.015	0	- 0.15	0	1.3110

Remarks: 1) Bearings suffixed with D1 have oil holes on the outer ring.
 2) *R* min.: 0.059 inch.

Nominal dimensions			Basic load ratings		Mass
r_s mm min.	s inch	F	N dynamic C_r	lbf static C_{or}	kg lb
1.5	-	-	29 100	17 800	0.66
0.059	-	-	6 550	4 000	1.46
1.5	2.2	6.6	29 100	17 800	0.78
0.059	0.087	0.260	6 550	4 000	1.72
1.5	-	-	29 100	17 800	0.61
0.059	-	-	6 550	4 000	1.35
1.5	2.2	6.6	29 100	17 800	0.73
0.059	0.087	0.260	6 550	4 000	1.61
1.5	2.2	6.7	35 000	23 200	0.90
0.059	0.087	0.264	7 900	5 200	1.99
2	2.5	7.6	43 500	29 200	1.12
0.079	0.098	0.299	9 750	6 550	2.47

Ball bearing, round bore, spherical O.D.

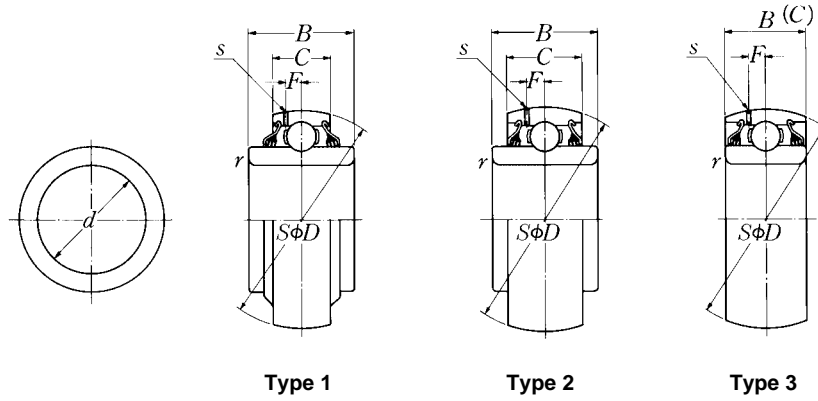


Shaft dia. inch	Bearing ¹⁾ number	Type	Nominal dimensions							
			<i>d</i>	<i>D</i>	<i>C</i>	<i>B</i>	mm	inch	mm	inch
1# ¹ / ₁₆	1AC08-1.# ¹ / ₁₆	1	30.175 0 - 0.013	80 0 - 0.013	18 0 - 0.12	30.2 0 - 0.12	1.1880 0 - 0.0005	3.1496 0 - 0.0005	0.7087 0 - 0.0047	1.1890 0 - 0.0047
1.7717	3AC09D1	3	45 0 - 0.013	85 0 - 0.015	30.2 0 - 0.12	30.2 0 - 0.12	1.7717 0 - 0.0005	3.3465 0 - 0.0006	1.1890 0 - 0.0047	1.1890 0 - 0.0047
1 1/2	3AC09-1. 1/2D1	3	38.989 0 - 0.254	85 0 - 0.015	30.2 0 - 0.12	30.2 0 - 0.12	1.5350 0 - 0.0100	3.3465 0 - 0.0006	1.1890 0 - 0.0047	1.1890 0 - 0.0047
1# ¹ / ₄	3AC10-1.# ¹ / ₄ D1	3	45.339 0 - 0.254	90 0 - 0.015	30.2 0 - 0.12	30.2 0 - 0.12	1.7850 0 - 0.0100	3.5433 0 - 0.0006	1.1890 0 - 0.0047	1.1890 0 - 0.0047
1 1/8	3AC10-1. 1/8D1	3	49.225 0 - 0.013	90 0 - 0.015	30.2 0 - 0.12	30.2 0 - 0.12	1.9380 0 - 0.0005	3.5433 0 - 0.0006	1.1890 0 - 0.0047	1.1890 0 - 0.0047
2# ¹ / ₁₆	3AC11-2.# ¹ / ₁₆ D1	3	55.575 0 - 0.015	100 0 - 0.015	33.3 0 - 0.15	33.3 0 - 0.15	2.1880 0 - 0.0006	3.9370 0 - 0.0006	1.3110 0 - 0.0059	1.3110 0 - 0.0059

Remarks: 1) Bearings suffixed with D1 have oil holes on the outer ring.

Nominal dimensions			Basic load ratings		Mass
r_s mm min.	s inch	F	N dynamic C_r	lbf static C_{or}	kg lb
1.5	-	-	29 100	17 800	0.61
0.059	-	-	6 550	4 000	1.35
1.5	2.2	6.7	32 500	20 400	0.59
0.059	0.087	0.264	7 350	4 600	1.30
1.5	2.2	6.7	32 500	20 400	0.68
0.059	0.087	0.264	7 350	4 600	1.50
1.5	2.2	6.7	35 000	23 200	0.70
0.059	0.087	0.264	7 900	5 200	1.54
1.5	2.2	6.7	35 000	23 200	0.65
0.059	0.087	0.264	7 900	5 200	1.43
2	2.5	7.6	43 500	29 200	0.87
0.079	0.098	0.299	9 750	6 550	1.92

Ball bearing, round bore, spherical O.D.

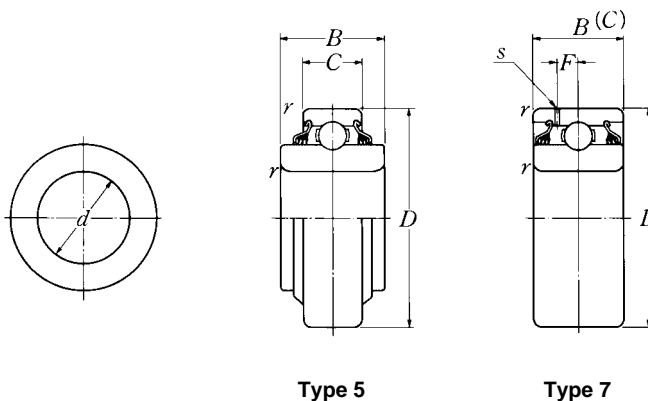


Shaft dia. inch	Bearing ¹⁾ number	Type	Nominal dimensions							
			<i>d</i>	<i>D</i>	<i>C</i>	<i>B</i>	<i>d</i>	<i>D</i>	<i>C</i>	<i>B</i>
2.7559	3AC14D1	3	70	125	39.69	39.69	0	0	0	0
			- 0.015	- 0.020	- 0.15	- 0.15	0	0	0	0
			2.7559	4.9213	1.5626	1.5626	0	0	0	0
			- 0.0006	- 0.0008	- 0.0059	- 0.0059	- 0.0059	- 0.0059	- 0.0059	- 0.0059
1 1/16	3AC14-1 1/16 D1	3	49.225	125	39.69	39.69	0	0	0	0
			- 0.015	- 0.020	- 0.15	- 0.15	0	0	0	0
			1.9380	4.9213	1.5626	1.5626	0	0	0	0
			- 0.0006	- 0.0008	- 0.0059	- 0.0059	- 0.0059	- 0.0059	- 0.0059	- 0.0059

Remarks: 1) Bearings suffixed with D1 have oil holes on the outer ring.

Nominal dimensions			Basic load ratings		Mass
r_s min.	mm s	inch F	N dynamic C_r	lbf static C_{or}	kg lb
2	3.0	9.4	62 000	44 000	1.56
0.079	0.118	0.370	14 000	9 900	3.44
2	3.0	9.4	62 000	4 4000	2.20
0.079	0.118	0.370	14 000	9 900	4.85

Ball bearing, round bore, cylindrical O.D.

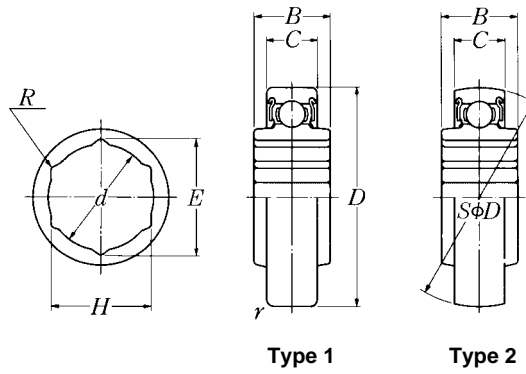


Shaft dia. inch	Bearing ¹⁾ number	Type	Nominal dimensions													
			<i>d</i>	<i>D</i>	<i>C</i>	<i>B</i>	mm	inch	mm	inch						
1.1811	5AC06	5	30	0	62	0	16	0	25.4	0						
			- 0.010	- 0.013	- 0.12	- 0.12	1.1811	0	2.4409	0	0.6299	0	1.0000	0		
				- 0.0004		- 0.0005		- 0.0047		- 0.0047						
1 1/16	5AC10-1. 1/16	5	49.225	0	90	0	20	0	49.2	0						
			- 0.013	- 0.015	- 0.12	- 0.12	1.9380	0	3.5433	0	0.7874	0	1.9370	0		
				- 0.0005		- 0.0006		- 0.0047		- 0.0047						
1 1/32	7AC10-1. 1/32D1	7	35.725	0	90	0	30.2	0	30.2	0						
			- 0.013	- 0.015	- 0.12	- 0.12	1.4065	0	3.5433	0	1.1890	0	1.1890	0		
				- 0.0005		- 0.0006		- 0.0047		- 0.0047						
1 1/16	7AC10-1. 1/16D1	7	49.225	0	90	0	30.2	0	30.2	0						
			- 0.013	- 0.015	- 0.12	- 0.12	1.9380	0	3.5433	0	1.1890	0	1.1890	0		
				- 0.0005		- 0.0006		- 0.0047		- 0.0047						
2 1/16	7AC11-2. 1/16D1	7	55.575	0	100	0	33.3	0	33.3	0						
			- 0.015	- 0.015	- 0.15	- 0.15	2.1880	0	3.9370	0	1.3110	0	1.3110	0		
				- 0.0006		- 0.0006		- 0.0059		- 0.0059						

Remarks: 1) Bearings suffixed with D1 have oil holes on the outer ring.

Nominal dimensions			Basic load ratings		Mass
r_s mm min.	s inch	F	N dynamic C_r	lbf static C_{or}	kg lb
1	-	-	19 500	11 300	0.21
0.039	-	-	4 400	2 540	0.46
1.5	-	-	35 000	23 200	0.74
0.059	-	-	7 900	5 200	1.63
1.5	2.2	6.7	35 000	23 200	0.88
0.059	0.087	0.264	7 900	5 200	1.94
1.5	2.2	6.7	35 000	23 200	0.68
0.059	0.087	0.264	7 900	5 200	1.50
2	2.5	7.6	43 500	29 200	0.91
0.079	0.098	0.299	9 750	6 550	2.01

Ball bearing, hex-bore

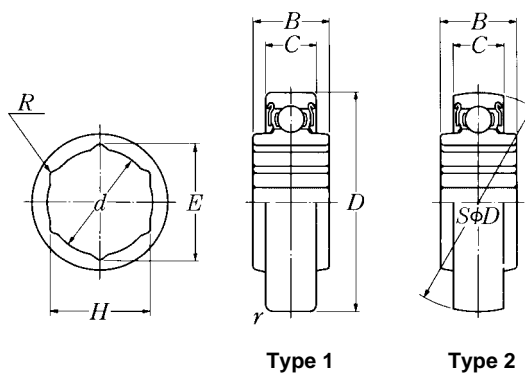


Shaft size inch	Bearing ¹⁾ number	Type	Nominal dimensions															
			<i>H</i>	<i>d</i> max.	<i>R</i> max.	<i>E</i> min.	<i>D</i>	<i>C</i>	mm	inch								
3/8	1AH03-3/8	1	14.3 + 0.127 0	14.7	0.25	16.435	40	0 - 0.013	12	0 - 0.12	0.5630 + 0.0050 0	0.579	0.010	0.6470	1.5748	0 - 0.0005	0.4724	0 - 0.0047
1/2	1AH04-1/2	1	17.653 + 0.127 0	18.1	0.25	20.307	47	0 - 0.013	14	0 - 0.12	0.6950 + 0.0050 0	0.713	0.010	0.7995	1.8504	0 - 0.0005	0.5512	0 - 0.0047
5/8	1AH05-5/8	1	22.250 + 0.127 0	22.8	0.25	25.615	52	0 - 0.013	15	0 - 0.12	0.8760 + 0.0050 0	0.898	0.010	1.0085	2.0472	0 - 0.0005	0.5906	0 - 0.0047
1	1AH06-1	1	25.425 + 0.127 0	26.1	0.25	29.281	62	0 - 0.013	16	0 - 0.12	1.0010 + 0.0050 0	1.028	0.010	1.1528	2.4409	0 - 0.0005	0.6299	0 - 0.0047
5/8	2AH05-5/8	2	22.25 + 0.127 0	22.8	0.25	25.615	52	0 - 0.013	15	0 - 0.12	0.8760 + 0.0050 0	0.898	0.010	1.0085	2.0472	0 - 0.0005	0.5906	0 - 0.0047
1	2AH06-1	2	25.425 + 0.127 0	26.1	0.25	29.281	62	0 - 0.013	16	0 - 0.12	1.0010 + 0.0050 0	1.028	0.010	1.1528	2.4409	0 - 0.0005	0.6299	0 - 0.0047
1 1/8	2AH07-1. 1/8	2	28.6 + 0.127 0	29.3	0.25	32.947	72	0 - 0.013	17	0 - 0.12	1.1260 + 0.0050 0	1.154	0.010	1.2971	2.8346	0 - 0.0005	0.6693	0 - 0.0047

Remarks: 1) Bearings suffixed with D1 have oil holes on the outer ring.

Nominal dimensions			Basic load ratings		Mass	
mm <i>B</i>	inch <i>t_s</i> min.		N dynamic <i>C_r</i>	lbf static <i>C_{0r}</i>	kg	lb
20.3 - 0.12	0 0.6		9 600	4 600	0.08	
0.7992 - 0.0047	0 0.024		2 160	1 030	0.18	
21 - 0.12	0 1		12 800	6 650	0.13	
0.8268 - 0.0047	0 0.039		2 890	1 500	0.29	
25.4 - 0.12	0 1		14 000	7 850	0.16	
1.0000 - 0.0047	0 0.039		3 150	1 770	0.35	
24 - 0.12	0 1		19 500	11 300	0.24	
0.9449 - 0.0047	0 0.039		4 400	2 540	0.53	
25.4 - 0.12	0 -		14 000	7 850	0.16	
1.0000 - 0.0047	0 -		3 150	1 770	0.35	
24 - 0.12	0 -		19 500	11 300	0.24	
0.9449 - 0.0047	0 -		4 400	2 540	0.53	
37.7 - 0.12	0 -		25 700	15 300	0.45	
1.4843 - 0.0047	0 -		5 750	3 450	0.99	

Ball bearing, hex-bore



Shaft size inch	Bearing ¹⁾ number	Type	Nominal dimensions							
			<i>H</i>	<i>d</i> max.	<i>R</i> max.	<i>E</i> min.	<i>D</i>	<i>C</i>		
			mm	mm	mm	mm	inch	inch	inch	inch
1 1/2	2AH09-1. 1/2	2	38.125	39	0.25	43.946	85	0	19	0
			^{+ 0.127} 0					- 0.015	- 0.12	
			1.5010	1.535	0.010	1.7302	3.3465	0	0.7480	0
			^{+ 0.0050} 0					- 0.0006	- 0.0047	

Remarks: 1) Bearings suffixed with D1 have oil holes on the outer ring.

Nominal dimensions			Basic load ratings		Mass	
mm	inch	r_s min.	N	lbf	kg	lb
B			dynamic C_r	static C_{0r}		
30	0	-	32 500	20 400	0.54	
	- 0.12					
1.1811	0	-	7 350	4 600	1.19	
	- 0.0047					