



COMPANY PROFILE

公司简介

无锡美蓓亚轴承科技有限公司是国内顶尖的轴承供应商之一，着重于我们的滚子轴承和球轴承服务，我们的服务包括：技术支持，养护服务，产品跟踪监测以及使用培训。

无锡美蓓亚轴承科技有限公司成立于2001，其公司位于江苏省无锡市，东临沪宁高速，北依312国道，距上海港口车程仅需2小时，交通十分便利。

在2001年成立之后便迅速成长成为国内著名公司，在2005年，公司便在河北，山东以及无锡投资建厂。并在全国各地建有数家销售公司。同时美蓓亚也努力拓展网络销售网络，并建立了一个高效的全球营销系统。

我公司是一家专业生产制造与销售，服务为一体的外向型综合公司，其中对外贸易占我厂销售的65%，我公司可生产十大类型等各种精度等级的6000多个品种，主要类型包括微小型及中大型的深沟球轴承，双列调心球轴承，四列重型圆柱滚子轴承，调心滚子轴承，向心推力球轴承，单双列圆锥滚子轴承，推力球轴承，推力滚子轴承，滚针轴承，和高精度机床主轴轴承，年生产量5000万套。产品最小内径3毫米，最大外径6.5米，最轻的重量10.5克，最重可达2.6吨。同时提供轴承座、衬套、钢球、滚针，能加工和定做及非标轴承。公司已常备轴承型号6000余种，数千万元的商品库存，是厂矿企业配套和维修的仓库，是物资单位的利润之源。

我公司生产的产品广泛用于铁路，矿山，机械设备，汽车，船舶，冶金，石化，电力，农机，轻纺与航空等重要领域。

在国际领域我公司产品主要销往欧洲，亚洲，美洲，东南亚等，本着公司拥有一支忠实优秀的销售团队更好为客户提供零距离完善的服务体系。

自美蓓亚成立之日起，就把技术研发，质量和营销作为其重点。美蓓亚公司在研发方面投入及其大的心血，生产了大量优质的产品，在国内外轴承市场备受青睐。

Wuxi MBY Bearing Technology Co., Ltd is one of the top bearing suppliers in China. We mainly supply roller and ball bearings.

MBY was founded in 2001, located in Wuxi city. It just takes around 2 hours from Wuxi to Shanghai by car, and very convenient transportation.

In 2005, MBY has invested three factories in Hebei, Shandong, and Wuxi. Our products sell worldwide.

Our products and service include:

- Miniature and middle-large size deep groove ball bearing
- Double-row self-aligning roller bearing
- Four-row heavy type cylindrical roller bearing,
- Self-aligning roller bearing
- Axial thrust ball bearing, thrust ball and roller bearing
- Single and double taper roller bearing
- Needle roller bearing
- High precision spindle bearing
- Pillow block bearing, bush, steel balls
- Technical support
- Maintenance
- Products training service

Bore size range:

3mm~6.5m

Weight range:

10.5g~2.6ton

MBY bearings are widely used in railway, mining, mechanical equipment, automobile, ship, metallurgy, petrifaction, electric power, agriculture, textile and aviation, etc

MBY products has sell to Europe, Asia, America, south-east Asia, which are our most important market. We have spend much time on developing new products, and also produce top quality products. We are very popular in domestic and abroad.

Welcome your inquiry and Look forward our cooperation in the future.

CONTENTS

1.BALL BEARINGS	
1-1.DEEP GROOVE BALL BEARINGS	3
1-2.MINIATURE BALL BEARINGS	10
1-3.DEEP GROOVE BALL BEARINGS TOLERANCE	12
2.ANGULAR CONTACT BALL BEARINGS	17
3.SELF-ALIGNING BALL BEARINGS	24
4.PLANE THRUST BALL BEARINGS	28
5.TAPERED ROLLER BEARINGS	32
6.SPHERICAL ROLLER BEARINGS	39
7.SPHERICAL ROLLER THRUST BEARINGS	48
8.CYLINDRICAL ROLLER BEARINGS	50
9.NEEDLE ROLLER BEARINGS AND CAGE ASSEMBLY	64
10.ADAPTER SLEEVES	95
11.PILLOW BLOCKS	119
12.MAINTENANCE RADIAL SPHERICAL PLAIN BEARING	127
13.BEARING HOUSING & ACCESSORIES	138
14.BEARING GREASE DESIGNATIONS	147



DEEP GROOVE BALL BEARINGS





DEEP GROOVE BALL BEARINGS

Type Code: 6

ID Code	
ID Code	ID MM
00	10
01	12
02	15
03	17
04	20
/22	22
05	25
/28	28
06	30
/32	32
07	35
.....



SIZE DESIGNATION:

- 0: Designate extra light series 60xx
- 2: Designate light series 62xx
- 3: Designate medium light series 63xx
- 4: Designate heavy series 64xx
- 8: Designate super light series 68xx
- 9: Designate super light series 69xx

DESIGNS, TYPES AND FEATURES

- RS: One seal-contact type
- 2RS: Two seals-contact type
- RZ: One non-contact seal
- 2RZ: Two non-contact seals
- Z: One shield
- ZZ: One shields
- N: With snap ring groove on the outer ring
- M: Solid brass retainer
- NR: With snap ring on the outer ring
- TN: Glass-fiber reinforced nylon cage

V: NOISE & VIBRATION GRADE

- /V1: Adhere to vibration standard V1
- /V2: Adhere to vibration standard V2
- /V3: Adhere to vibration standard V3
- EMQ: Standard electric motor quality
- EMQ6: Quiet runnlog, standard electric motor quality
- EMQ5: Super-quiet running, standard electric motor quality

TOLERANCE CLASS:

- /P0: Equal tolerance class ABEC1
- /P6: Equal tolerance class ABEC3
- /P5: Equal tolerance class ABEC5
- /P4: Equal tolerance class ABEC7
- /P2: Equal tolerance class ABEC9

CLEARANCE:

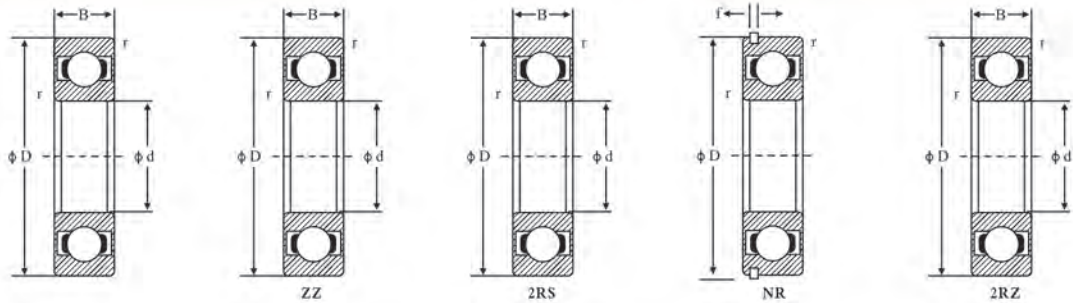
- /C2: Less than normal clearance
- /C0: Normal clearance, omissible
- /C3: Larger clearance than C0
- /C4: Larger clearance than C3
- /C5: Larger clearance than C4

WORKING TEMPERATURE:

- /S0: Working temperature is up to 150°C
- /S1: Working temperature is up to 200°C
- /S2: Working temperature is up to 250°C
- /S3: Working temperature is up to 300°C
- /S4: Working temperature is up to 350°C



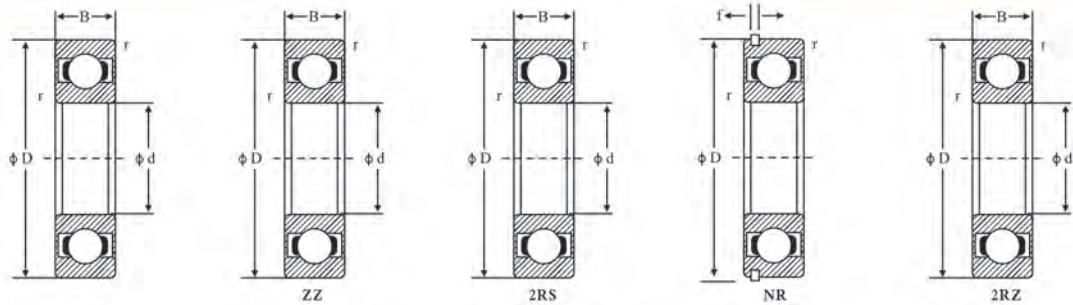
DEEP GROOVE BALL BEARINGS



Principal dimensions(mm)				Weight Kg	Bearing Number				Basic Load Rating(kN)		Limiting Speed(rpm)	
d	D	B	r _{min}		Open	W/Shields	W/Seals	W/Snap Ring	Dynamic Cr	Static Cor	Grease	Oil
10	15	3	0.1	0.0015	6700	6700 -ZZ	6700 -2RS		1.01	0.555	36000	42000
	19	5	0.3	0.005	6800	6800 -ZZ	6800 -2RS		1.65	0.890	30000	36000
	22	6	0.3	0.009	6900	6900 -ZZ	6900 -2RS		2.43	1.220	29000	34000
	26	8	0.3	0.018	6000	6000 -ZZ	6000 -2RS	6000 NR	4.10	1.880	28000	32000
	30	9	0.6	0.032	6200	6200 -ZZ	6200 -2RS	6200 NR	4.59	2.390	24000	29000
	35	11	0.6	0.052	6300	6300 -ZZ	6300 -2RS	6300 NR	7.38	3.360	22000	26000
12	18	4	0.2	0.003	6701	6701 -ZZ	6701 -2RS		1.07	0.655	32000	38000
	21	5	0.3	0.006	6801	6801 -ZZ	6801 -2RS		1.73	1.000	28000	33000
	24	6	0.3	0.010	6901	6901 -ZZ	6901 -2RS		2.60	1.400	26000	30000
	28	7	0.3	0.019	16001	16001 -ZZ	16001 -2RS		4.59	2.290	25000	29000
	28	8	0.3	0.022	6001	6001 -ZZ	6001 -2RS	6001 NR	4.59	2.290	25000	29000
	32	10	0.6	0.037	6201	6201 -ZZ	6201 -2RS	6201 NR	5.49	2.750	21000	25000
15	37	12	1.0	0.060	6301	6301 -ZZ	6301 -2RS	6301 NR	8.73	4.030	19000	23000
	21	4	0.2	0.0035	6702	6702 -ZZ	6702 -2RS		1.15	0.790	29000	34000
	24	5	0.3	0.007	6802	6802 -ZZ	6802 -2RS		1.87	1.210	25000	29000
	28	7	0.3	0.015	6902	6902 -ZZ	6902 -2RS		3.69	1.980	23000	27000
	32	8	0.3	0.027	16002	16002 -ZZ	16002 -2RS		5.04	2.730	21000	25000
	32	9	0.3	0.031	6002	6002 -ZZ	6002 -2RS	6002 NR	5.04	2.730	21000	25000
17	35	11	0.6	0.045	6202	6202 -ZZ	6202 -2RS	6202 NR	6.98	3.600	18000	22000
	42	13	1.0	0.083	6302	6302 -ZZ	6302 -2RS	6302 NR	10.26	5.230	16000	20000
	23	4	0.2	0.004	6703	6703 -ZZ	6703 -2RS		1.20	0.865	26000	31000
	26	5	0.3	0.007	6803	6803 -ZZ	6803 -2RS		2.53	1.650	23000	27000
	30	7	0.3	0.017	6903	6903 -ZZ	6903 -2RS		4.46	2.480	21000	25000
	35	8	0.3	0.033	16003	16003 -ZZ	16003 -2RS		6.12	3.220	19000	23000
20	35	10	0.3	0.041	6003	6003 -ZZ	6003 -2RS	6003 NR	6.12	3.220	19000	23000
	40	12	0.6	0.067	6203	6203 -ZZ	6203 -2RS	6203 NR	8.64	4.600	17000	20000
	47	14	1.0	0.113	6303	6303 -ZZ	6303 -2RS	6303 NR	12.15	6.290	15000	18000
	62	17	1.1	0.270	6403	6403 -ZZ	6403 -2RS		22.70	10.800	14000	16000
	27	4	0.2	0.005	6704	6704 -ZZ	6704 -2RS		1.79	1.320	23000	28000
	32	7	0.3	0.017	6804	6804 -ZZ	6804 -2RS		3.60	2.370	20000	24000
22	37	9	0.3	0.037	6904	6904 -ZZ	6904 -2RS		5.76	3.550	18000	22000
	42	8	0.3	0.048	16004	16004 -ZZ	16004 -2RS		7.11	4.320	17000	20000
	42	12	0.6	0.068	6004	6004 -ZZ	6004 -2RS	6004 NR	8.46	4.850	17000	20000
	47	14	1.0	0.107	6204	6204 -ZZ	6204 -2RS	6204 NR	11.52	6.650	15000	17000
	52	15	1.1	0.145	6304	6304 -ZZ	6304 -2RS	6304 NR	14.31	7.580	13000	16000
	72	19	1.1	0.400	6404				28.50	13.900	12000	14000
25	44	12	0.6	0.074	60/22	60/22 -ZZ	60/22 -2RS		8.46	4.850	16000	19000
	50	14	1.0	0.119	62/22	62/22 -ZZ	62/22 -2RS		11.61	5.840	13000	16000
	56	16	1.1	0.179	63/22	63/22 -ZZ	63/22 -2RS		16.56	8.880	12000	14000
25	32	4	0.2	0.006	6705	6705 -ZZ	6705 -2RS		1.93	1.550	19000	23000
	37	7	0.3	0.021	6805	6805 -ZZ	6805 -2RS		3.87	2.830	17000	20000



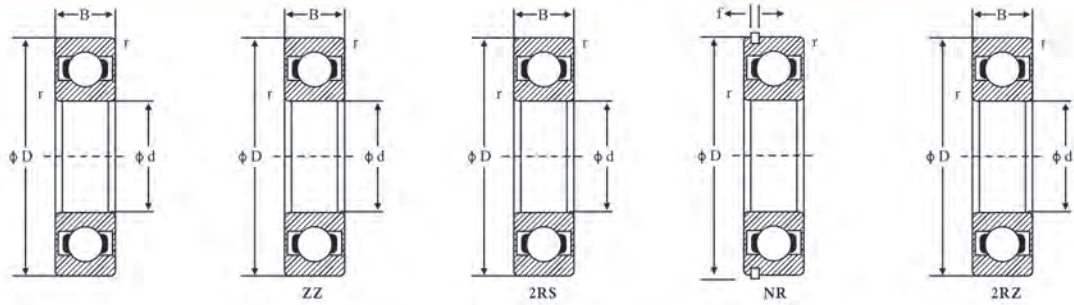
DEEP GROOVE BALL BEARINGS



Principal dimensions(mm)				Weight Kg	Bearing Number				Basic Load Rating(kN)		Limiting Speed(rpm)		
d	D	B	r _{min}		Open	W/Shields	W/Seals	W/Snap Ring	Dynamic Cr	Static Cor	Grease	Oil	
25	42	9	0.3	0.042	6905	6905 -ZZ	6905 -2RS		6.35	4.37	15000	18000	
	47	8	0.3	0.059	16005	16005 -ZZ	16005 -2RS		7.52	4.90	14000	17000	
	47	12	0.6	0.079	6005	6005 -ZZ	6005 -2RS	6005 NR	9.09	5.62	14000	17000	
	52	15	1.0	0.129	6205	6205 -ZZ	6205 -2RS	6205 NR	12.60	7.54	12000	14000	
	62	17	1.1	0.235	6305	6305 -ZZ	6305 -2RS	6305 NR	19.08	10.46	11000	13000	
	80	21	1.5	0.530	6405				34.50	17.50	10000	12000	
28	52	12	0.6	0.096	60/28	60/28 -ZZ	60/28 -2RS	60/28 NR	11.25	7.10	13000	15000	
	58	16	1.0	0.175	62/28	62/28 -ZZ	62/28 -2RS	62/28 NR	16.11	9.36	11000	13000	
	68	18	1.1	0.287	63/28	63/28 -ZZ	63/28 -2RS	63/28 NR	24.03	13.44	10000	12000	
	30	37	4	0.2	6706	6706 -ZZ	6706 -2RS		2.05	1.78	17000	20000	
30	42	7	0.3	0.024	6806	6806 -ZZ	6806 -2RS		4.23	3.50	14000	17000	
	47	9	0.3	0.052	6906	6906 -ZZ	6906 -2RS		6.53	4.80	13000	16000	
	55	9	0.3	0.087	16006	16006 -ZZ	16006 -2RS		10.08	7.06	12000	14000	
	55	13	1.0	0.116	6006	6006 -ZZ	6006 -2RS	6006 NR	11.88	7.97	12000	14000	
	62	16	1.0	0.199	6206	6206 -ZZ	6206 -2RS	6206 NR	17.55	10.85	10000	12000	
	72	19	1.1	0.345	6306	6306 -ZZ	6306 -2RS	6306 NR	24.03	14.40	9500	11000	
	90	23	1.5	0.735	6406				43.50	23.90	8000	10000	
	32	58	13	1.0	0.122	60/32	60/32 -ZZ	60/32 -2RS		13.59	8.78	11000	14000
32	65	17	1.0	0.225	62/32	62/32 -ZZ	62/32 -2RS		18.63	11.14	10000	11000	
	75	20	1.1	0.389	63/32	63/32 -ZZ	63/32 -2RS	63/32 NR	26.82	16.22	9000	10000	
	35	47	7	0.3	6807	6807 -ZZ	6807 -2RS		4.41	3.89	12000	15000	
35	55	10	0.6	0.075	6907	6907 -ZZ	6907 -2RS		10.08	7.15	11000	14000	
	62	9	0.3	0.107	16007	16007 -ZZ	16007 -2RS		10.53	7.87	11000	13000	
	62	14	1.0	0.151	6007	6007 -ZZ	6007 -2RS	6007 NR	14.40	9.89	11000	13000	
	72	17	1.1	0.284	6207	6207 -ZZ	6207 -2RS	6207 NR	23.13	14.69	9300	10000	
	80	21	1.5	0.464	6307	6307 -ZZ	6307 -2RS	6307 NR	30.15	18.34	8400	9500	
	100	25	1.5	0.952	6407				55.00	31.00	7800	9100	
	40	52	7	0.3	0.031	6808	6808 -ZZ	6808 -2RS		4.59	4.22	11000	13000
40	62	12	0.6	0.112	6908	6908 -ZZ	6908 -2RS		13.14	9.79	10000	12000	
	68	9	0.3	0.130	16008	16008 -ZZ	16008 -2RS		11.34	9.26	9500	11000	
	68	15	1.0	0.190	6008	6008 -ZZ	6008 -2RS	6008 NR	15.12	11.04	9500	11000	
	80	18	1.1	0.366	6208	6208 -ZZ	6208 -2RS	6208 NR	26.19	17.09	8300	9500	
	90	23	1.5	0.636	6308	6308 -ZZ	6308 -2RS	6308 NR	36.45	23.04	7400	8700	
	110	27	2.0	1.230	6408				63.50	36.50	7000	8200	
	45	58	7	0.3	0.038	6809	6809 -ZZ	6809 -2RS		5.76	5.42	10000	11000
	45	68	12	0.6	0.126	6909	6909 -ZZ	6909 -2RS		13.59	10.75	9300	11000
75		10	0.6	0.167	16009	16009 -ZZ	16009 -2RS		11.61	10.08	8700	10000	
75		16	1.0	0.241	6009	6009 -ZZ	6009 -2RS	6009 NR	18.90	14.50	8700	10000	
85		19	1.1	0.420	6209	6209 -ZZ	6209 -2RS	6209 NR	29.25	19.58	7400	8700	
100		25	1.5	0.829	6309	6309 -ZZ	6309 -2RS	6309 NR	47.70	30.72	6700	7800	



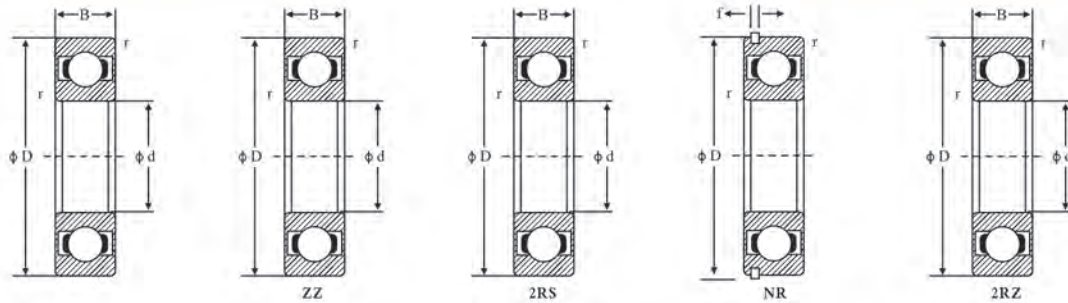
DEEP GROOVE BALL BEARINGS



Principal dimensions(mm)				Weight Kg	Bearing Number				Basic Load Rating(kN)		Limiting Speed(rpm)	
d	D	B	r _{min}		Open	W/Shields	W/Seals	W/Snap Ring	Dynamic Cr	Static Cor	Grease	Oil
45	120	29	2.0	1.530	6409				77.00	45.00	6300	7400
50	65	7	0.3	0.050	6810	6810-2Z	6810-2RS		5.94	5.86	9100	10000
	72	12	0.6	0.135	6910	6910-2Z	6910-2RS		14.04	11.71	8500	10000
	80	10	0.6	0.175	16010	16010-2Z	16010-2RS		11.88	10.85	8000	9300
	80	16	1.0	0.261	6010	6010-2Z	6010-2RS	6010 NR	19.62	15.94	8000	9300
55	90	20	1.1	0.459	6210	6210-2Z	6210-2RS	6210 NR	31.50	22.37	6700	7900
	110	27	2.0	1.060	6310	6310-2Z	6310-2RS	6310 NR	55.80	36.96	6100	7100
	130	31	2.1	1.880	6410				83.00	49.50	5700	6700
	72	9	0.3	0.081	6811	6811-2Z	6811-2RS		7.92	7.78	8300	9500
	80	13	1.0	0.189	6911	6911-2Z	6911-2RS		14.40	12.77	7800	9100
	90	11	0.6	0.257	16011	16011-2Z	16011-2RS		16.74	14.69	7300	8600
60	90	18	1.1	0.381	6011	6011-2Z	6011-2RS	6011 NR	25.47	20.35	7300	8600
	100	21	1.5	0.619	6211	6211-2Z	6211-2RS	6211 NR	39.15	28.03	6100	7200
	120	29	2.0	1.370	6311	6311-2Z	6311-2RS	6311 NR	64.35	43.20	5500	6500
	140	33	2.1	2.290	6411				89.00	54.00	5200	6100
	78	10	0.3	0.103	6812	6812-2Z	6812-2RS		10.35	10.18	7600	8900
	85	13	1.0	0.192	6912	6912-2Z	6912-2RS		14.76	13.73	7200	8500
	95	11	0.6	0.281	16012	16012-2Z	16012-2RS		18.00	16.80	6700	7900
65	95	18	1.1	0.412	6012	6012-2Z	6012-2RS	6012 NR	26.55	22.27	6700	7900
	110	22	1.5	0.783	6212	6212-2Z	6212-2RS	6212 NR	47.25	34.56	5700	6700
	130	31	2.1	1.720	6312	6312-2Z	6312-2RS	6312 NR	73.80	49.92	5100	6000
	150	35	2.1	2.770	6412				102.00	64.50	4800	5700
	85	10	0.6	0.128	6813	6813-2Z	6813-2RS		10.44	10.56	7000	8300
	90	13	1.0	0.218	6913	6913-2Z	6913-2RS		15.66	15.46	6700	7800
	100	11	0.6	0.300	16013	16013-2Z	16013-2RS		18.45	17.95	6200	7300
70	100	18	1.1	0.439	6013	6013-2Z	6013-2RS	6013 NR	27.45	24.19	6200	7300
	120	23	1.5	1.000	6213	6213-2Z	6213-2RS	6213 NR	51.75	38.40	5200	6200
	140	33	2.1	2.110	6313	6313-2Z	6313-2RS	6313 NR	83.25	57.60	4700	5500
	160	37	2.1	3.300	6413				111.00	72.50	4400	5300
	90	10	0.6	0.134	6814	6814-2Z	6814-2RS		10.89	11.42	6600	7700
	100	16	1.0	0.349	6914	6914-2Z	6914-2RS		21.33	20.35	6200	7300
75	110	13	0.6	0.441	16014	16014-2Z	16014-2RS		21.96	21.70	5800	6700
	110	20	1.1	0.608	6014	6014-2Z	6014-2RS	6014 NR	34.20	29.76	5800	6700
	125	24	1.5	1.090	6214	6214-2Z	6214-2RS	6214 NR	55.80	42.24	4800	5700
	150	35	2.1	2.570	6314	6314-2Z	6314-2RS	6314 NR	93.60	65.28	4400	5100
	180	42	3.0	4.830	6414				128.00	89.50	4100	4800
	95	10	0.6	0.149	6815	6815-2Z	6815-2RS		11.25	12.38	6100	7200
75	105	16	1.0	0.364	6915	6915-2Z	6915-2RS		21.96	21.70	5800	6800
	115	13	0.6	0.463	16015	16015-2Z	16015-2RS		22.50	23.04	5400	6400
	115	20	1.1	0.649	6015	6015-2Z	6015-2RS	6015 NR	35.55	32.16	5400	6400



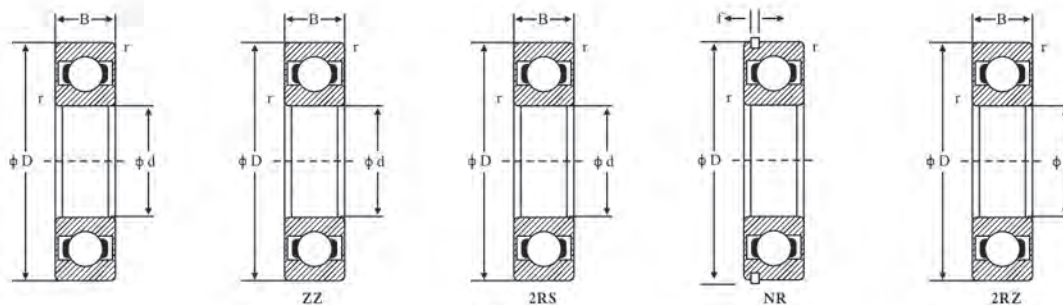
DEEP GROOVE BALL BEARINGS



Principal dimensions(mm)				Weight Kg	Bearing Number				Basic Load Rating(kN)		Limiting Speed(rpm)	
d	D	B	r _{min}		Open	W/Shields	W/Seals	W/Snap Ring	Dynamic Cr	Static Cor	Grease	Oil
75	130	25	1.5	1.190	6215	6215-2Z	6215-2RS	6215 NR	59.40	47.52	4600	5300
	160	37	2.1	3.080	6315	6315-2Z	6315-2RS	6315 NR	101.70	73.92	4100	4800
	190	45	3.0	5.720	6415				138.00	99.00	3800	4500
80	100	10	0.6	0.151	6816	6816-2Z	6816-2RS		11.43	12.77	5700	6700
	110	16	1.0	0.391	6916	6916-2Z	6916-2RS		22.41	23.04	5400	6400
	125	14	0.6	0.621	16016	16016-2Z	16016-2RS		22.86	24.10	5000	5900
	125	22	1.1	0.872	6016	6016-2Z	6016-2RS	6016 NR	42.75	38.40	5000	5900
	140	26	2.0	1.420	6216	6216-2Z	6216-2RS	6216 NR	65.25	60.48	4300	5000
	170	39	2.1	3.670	6316	6316-2Z	6316-2RS	6316 NR	110.70	83.04	3800	4500
	200	48	3.0	6.760	6416				164.00	125.00	3600	4200
85	110	13	1.0	0.263	6817	6817-2Z	6817-2RS		16.83	18.24	5400	6400
	120	18	1.1	0.550	6917	6917-2Z	6917-2RS		28.80	28.42	5100	6000
	130	14	0.6	0.652	16017	16017-2Z	16017-2RS		23.31	25.15	4800	5600
	130	22	1.1	0.918	6017	6017-2Z	6017-2RS	6017 NR	44.55	41.28	4800	5600
	150	28	2.0	1.760	6217	6217-2Z	6217-2RS	6217 NR	75.15	61.44	4000	4800
	180	41	3.0	4.280	6317	6317-2Z	6317-2RS	6317 NR	119.70	93.12	3600	4300
	210	52	4.0	7.950	6417				165.00	128.00	3400	4000
90	115	13	1.0	0.276	6818	6818-2Z	6818-2RS		17.10	18.91	5100	6000
	125	18	1.1	0.585	6918	6918-2Z	6918-2RS		29.70	30.24	4800	5700
	140	16	1.0	0.873	16018	16018-2Z	16018-2RS		30.15	32.16	4500	5300
	140	24	1.5	1.190	6018	6018-2Z	6018-2RS	6018 NR	52.20	47.52	4500	5300
	160	30	2.0	2.180	6218	6218-2Z	6218-2RS	6218 NR	86.40	68.64	3800	4500
	190	43	3.0	4.980	6318	6318-2Z	6318-2RS	6318 NR	128.70	102.72	3400	4000
	225	54	4.0	11.40	6418				184.00	148.00	3200	3800
95	120	13	1.0	0.297	6819	6819-2Z	6819-2RS		17.37	19.68	4800	5600
	130	18	1.1	0.601	6919	6919-2Z	6919-2RS		30.15	32.16	4600	5400
	145	16	1.0	0.904	16019	16019-2Z	16019-2RS		31.05	33.60	4300	5000
	145	24	1.5	1.230	6019	6019-2Z	6019-2RS	6019 NR	54.45	51.84	4300	5000
	170	32	2.1	2.640	6219	6219-2Z	6219-2RS	6219 NR	98.10	78.72	3500	4200
	200	45	3.0	5.760	6319	6319-2Z	6319-2RS	6319 NR	137.70	114.24	3100	3700
	240	55	4.0	13.400	6419				186.00	153.00	3000	3500
100	125	13	1.0	0.310	6820	6820-2Z	6820-2RS	6820 NR	17.64	20.35	4600	5300
	140	20	1.1	0.828	6920	6920-2Z	6920-2RS	6920 NR	36.90	37.92	4300	5000
	150	24	1.5	1.290	6020	6020-2Z	6020-2RS	6020 NR	54.00	51.84	4000	4800
	180	34	2.1	3.170	6220	6220-2Z	6220-2RS	6220 NR	109.80	89.28	3300	4000
	215	47	3.0	7.040	6320	6320-2Z		6320 NR	155.70	135.36	3000	3500
250	58	4.0	15.000	6420				206.00	175.00	2900	3400	
105	160	26	2.0	1.590	6021	6021-2Z	6021-2RS	6021 NR	72.50	65.50	4000	4700
	190	36	2.1	3.700	6221	6221-2Z	6221-2RS	6221 NR	133.00	105.00	3400	4000
	225	49	3.0	8.050	6321	6321-2Z	6321-2RS		184.00	153.00	3000	3600



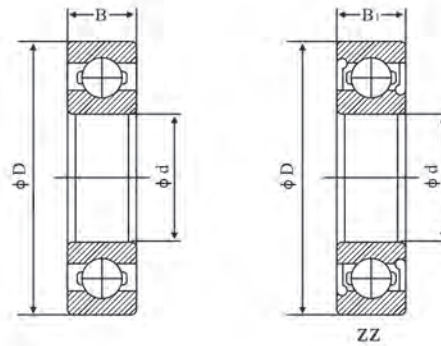
DEEP GROOVE BALL BEARINGS



Principal dimensions(mm)				Weight Kg	Bearing Number				Basic Load Rating(kN)		Limiting Speed(rpm)	
d	D	B	r _{min}		Open	W/Shields	W/Seals	W/Snap Ring	Dynamic Cr	Static Cor	Grease	Oil
110	260	60	4.0	16.800	6421				207.00	179.00	2700	3200
	170	28	2.0	1.960	6022	6022-2Z	6022-2RS	6022 NR	82.00	73.00	3800	4500
	200	38	2.1	4.360	6222	6222-2Z	6222-2RS	6222 NR	144.00	117.00	3200	3800
	240	50	3.0	9.540	6322	6322-2Z	6322-2RS		205.00	179.00	2900	3400
120	280	65	4.0	21.300	6422				247.00	227.00	2600	3000
	180	28	2.0	2.070	6024	6024-2Z	6024-2RS	6024 NR	85.00	79.50	3500	4100
	215	40	2.1	5.150	6224	6224-2Z	6224-2RS		155.00	131.00	2900	3400
	260	55	3.0	12.400	6324				207.00	185.00	2600	3100
130	310	72	5.0	29.000	6424				291.00	287.00	2300	2800
	200	33	2.0	3.160	6026	6026-2Z	6026-2RS	6026 NR	106.00	101.00	3200	3800
	230	40	3.0	5.820	6226				167.00	146.00	2700	3100
	280	58	4.0	15.30	6326				229.00	214.00	2400	2800
140	340	78	5.0	38.000	6426				300.00	298.00	2200	2500
	175	18	1.1	0.850	6828	6828-2Z	6828-2RS	6828 NR	39.20	46.00	3400	4000
	190	24	1.5	1.589	6928	6928-2Z	6928-2RS	6928 NR	66.60	71.20	2800	3600
	210	22	1.1	2.004	16028	16028-2Z	16028-2RS	16028 NR	82.10	85.00	3000	3600
150	210	33	2.0	3.350	6028	6028-2Z	6028-2RS	6028 NR	111.00	108.00	3000	3500
	250	42	3.0	7.450	6228	6228-2Z	6228-2RS	6228 NR	165.00	125.00	2500	2900
	300	62	3.0	18.500	6328	6328-2Z	6328-2RS	6328 NR	251.10	245.00	2200	2600
	190	20	1.1	0.980	6830	6830-2Z	6830-2RS	6830 NR	49.10	57.10	3100	3700
	210	28	2.0	2.454	6930	6930-2Z	6930-2RS	6930 NR	84.70	90.20	3000	3500
	225	24	1.1	2.638	16030	16030-2Z	16030-2RS	16030 NR	91.90	98.50	2600	3200
	225	35	2.1	4.800	6030	6030-2Z	6030-2RS	6030 NR	125.00	125.00	2800	3200
	270	45	3.0	9.400	6230	6230-2Z	6230-2RS	6230 NR	174.00	137.00	2300	2700
160	320	65	4.0	22.000	6330	6330-2Z	6330-2RS	6330 NR	274.00	284.00	2100	2400
	200	20	1.1	1.187	6832	6832-2Z	6832-2RS	6832 NR	45.20	55.10	2900	3400
	220	28	2.0	2.589	6932	6932-2Z	6932-2RS	6932 NR	86.90	95.50	2800	3300
	240	25	1.5	4.610	16032	16032-2Z	16032-2RS	16032 NR	72.00	104.00	2400	3000
	240	38	2.1	5.050	6032	6032-2Z	6032-2RS	6032 NR	143.00	144.00	2600	3000
	290	48	3.0	11.700	6232	6232-2Z	6232-2RS	6232 NR	185.00	186.00	2100	2500
	340	68	4.0	26.000	6332	6332-2Z	6332-2RS	6332 NR	278.00	286.00	1900	2300



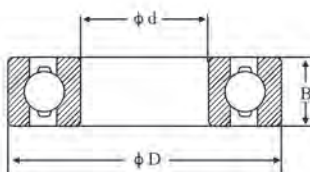
MINIATURE BALL BEARINGS



Principal dimensions(mm)					Weight (g)	Bearing Number			Basic Load Rating(kN)		Limiting Speed(rpm)	
d	D	B	B1	r _{min}		Open	W/Shields	W/Seals	Dynamic Cr	Static Cor	Grease	Oil
3	6	2.0	2.5	0.08	0.20	673	673-ZZ		242	94	60000	71000
	7	2.0	3.0	0.10	0.33	683	683-ZZ		390	130	58000	68000
	8	3.0	4.0	0.15	0.61	693	693-ZZ		560	180	54000	63000
	9	3.0	5.0	0.15	0.92	603	603-ZZ		635	219	50000	59000
	10	4.0	4.0	0.15	1.60	623	623-ZZ		640	224	50000	58000
4	7	2.0	2.5	0.08	0.28	674	674-ZZ		269	117	54000	63000
	9	2.5	4.0	0.10	0.67	684	684-ZZ		640	224	49000	57000
	11	4.0	4.0	0.15	1.80	694	694-ZZ	694-2RS	715	276	45000	52000
	12	4.0	4.0	0.20	2.10	604	604-ZZ	604-2RS	970	360	43000	51000
	13	5.0	5.0	0.20	3.20	624	624-ZZ	624-2RS	1310	490	42000	49000
	16	5.0	5.0	0.30	5.10	634	634-ZZ		1760	680	37000	44000
5	8	2.0	2.5	0.08	0.32	675	675-ZZ		292	142	49000	57000
	11	3.0	5.0	0.15	1.10	685	685-ZZ		715	282	43000	51000
	13	4.0	4.0	0.20	2.40	695	695-ZZ	695-2RS	1080	430	40000	47000
	14	5.0	5.0	0.20	3.50	605	605-ZZ	605-2RS	1330	505	39000	46000
	16	5.0	5.0	0.30	4.80	625	625-ZZ	625-2RS	1760	680	37000	44000
	19	6.0	6.0	0.30	8.00	635	635-ZZ		2340	885	34000	40000
6	10	2.5	3.0	0.10	0.65	676	676-ZZ		530	240	43000	51000
	13	3.5	5.0	0.15	1.90	686	686-ZZ	686-2RS	1080	440	39000	46000
	15	5.0	5.0	0.20	3.80	696	696-ZZ	696-2RS	1350	530	37000	44000
	17	6.0	6.0	0.30	6.00	606	606-ZZ	606-2RS	2190	865	35000	42000
	19	6.0	6.0	0.30	8.10	626	626-ZZ	626-2RS	2340	885	34000	40000
7	11	2.5	3.0	0.10	0.67	677	677-ZZ		555	269	40000	47000
	14	3.5	5.0	0.15	2.10	687	687-ZZ	687-2RS	1170	510	37000	44000
	17	5.0	5.0	0.30	5.20	697	697-ZZ	697-2RS	1610	715	35000	41000
	19	6.0	6.0	0.30	8.00	607	607-ZZ	607-2RS	2240	910	34000	40000
	22	7.0	7.0	0.30	13.00	627	627-ZZ	627-2RS	3350	1400	32000	37000
8	12	2.5	3.5	0.10	0.75	678	678-ZZ		575	298	38000	45000
	16	4.0	5.0	0.20	3.10	688	688-ZZ	688-2RS	1260	585	35000	41000
	19	6.0	6.0	0.30	7.30	698	698-ZZ	698-2RS	1990	865	33000	39000
	22	7.0	7.0	0.30	12.00	608	608-ZZ	608-2RS	3350	1400	32000	37000
	24	8.0	8.0	0.30	17.00	628	628-ZZ	628-2RS	4000	1590	31000	36000
9	14	3.0	4.5	0.10	1.40	679	679-ZZ		920	465	36000	42000
	17	4.0	5.0	0.20	3.20	689	689-ZZ	689-2RS	1720	820	33000	39000
	20	6.0	6.0	0.30	8.20	699	699-ZZ	699-2RS	2480	1090	32000	38000
	24	7.0	7.0	0.30	14.00	609	609-ZZ	609-2RS	3400	1450	31000	36000
	26	8.0	8.0	0.30	20.00	629	629-ZZ	629-2RS	4550	1960	30000	35000



MINIATURE BALL BEARINGS (Inch Series)



R4



R4Z



R4ZZ



R4RS



R4 2RS



R4NR

PART NUMBER	BORE, d		OUTER DIAMETER, D		WIDTH, in TOL $\begin{smallmatrix} 0 \\ -0.005 \end{smallmatrix}$		$r_{MAX, in}$	BALLS		LOAD RATING, lbs	
	in	mm	in	mm	OPEN	SEAL/SHIELD		QTY.	INCH	Cor	Cr
R2	1/8	3.1750	3/8	9.5250	0.1565	0.1562	0.012	7	1/16	49	113
R3	3/16	4.7625	1/2	12.7000	0.1562	0.1960	0.012	7	3/32	70	145
R4	1/4	6.3500	5/8	15.8750	0.1960	0.1960	0.012	7	1/8	195	385
R4A	1/4	6.3525	3/4	19.0500	0.2188	0.2812	0.016	6	9/54	150	320
R6	3/8	9.5250	7/8	22.2250	0.2188	0.2812	0.016	7	5/32	305	570
R8	1/2	12.7000	1-1/8	28.5750	0.2500	0.3125	0.016	8	3/16	500	885
R10	5/8	15.8750	1-3/8	34.9250	0.2812	0.3438	0.031	9	3/16	565	970
R12	3/4	19.0500	1-5/8	41.6250	0.3125	0.4375	0.031	10	7/32	850	1265
R14	7/8	22.2250	1-7/8	47.6250	0.3750	0.5000	0.031	10	1/4	1110	1735
R16	1	25.4000	2	50.8000	0.3750	0.5000	0.031	10	1/4	1110	1735
R18	1-1/8	28.5750	2-1/8	53.9750	0.3750	0.5000	0.031	11	1/4	1225	1840
R20	1-1/4	31.7500	2	57.1500	0.3750	0.5000	0.031	12	1/4	1335	1920



RADIAL BEARING TOLERANCE

Table 1 Inner Ring of Class O Tolerance

μ m

d mm		Δ d _{mp}		V _{dp} ⁽¹⁾			V _{dmp}	K _{ia}	Δ B _s			V _{BS}
				Diameter series					All	Normal	Modify ⁽³⁾	
				9	0,1	2,3,4						
Over	To	Upper deviation	Lower deviation	max			max	max	Upper deviation	Lower deviation		max
0.6 ⁽¹⁾	2.5	0	-8	10	8	6	6	10	0	-40	--	12
2.5	10		-8	10	8	6	6	10		-120	-250	15
10	18		-8	10	8	6	6	10		-120	-250	20
18	30		-10	13	10	8	8	13		-120	-250	20
30	50		-12	15	12	9	9	15		-120	-250	20
50	80		-15	19	19	11	11	20		-150	-380	25
80	120		-20	25	25	15	15	25		-200	-380	25
120	180		-25	31	31	19	19	30		-250	-500	30
180	250		-30	38	38	23	23	40		-300	-500	30

- Note: 1) Including 0.6.
 2) No stipulation for diameter series 7 and 8
 3) Single inner ring with set mounted or group mounted
 4) Tapered Roller Bearings are not included

Table 2 Outer Ring of Class O Tolerance

μ m

D Mm		Δ D _{mp}		V _{Dp} ^(1,4)				V _{Dmp} ⁽⁴⁾	K _{ea}	Δ C _s ⁽⁵⁾		V _{CS} ⁽⁵⁾ V _{CIS} ⁽⁵⁾
				Open		Close				Upper deviation	Lower deviation	
				Diameter series								
Over	To	Upper deviation	Lower deviation	9	0,1	2,3,4	2,3,4	max	max	max	max	
2.5 ⁽¹⁾	6	0	-8	10	8	6	10	6	15	Be same with Δ B _s and V _{BS} of the inner ring		
6	18		-8	10	8	6	10	6	15			
18	30		-9	12	9	7	12	7	15			
30	50		-11	14	11	8	16	8	20			
50	80		-13	16	13	10	20	10	25			
80	120		-15	19	19	11	26	11	35			
120	150		-18	23	23	14	30	14	40			
150	180		-25	31	31	19	38	19	45			
180	250		-30	38	38	23	-	23	50			
250	315	-35	44	44	26	-	26	60				

- Note: 1) Including 2.5.
 2) No stipulation for diameter series 7 and 8
 3) No stipulation for diameter series 9, 0 and 1
 4) Suitable for bearings before mounting or disassembly
 5) Only suitable for deep groove ball bearings.
 6) Tapered Roller Bearings are not included



Table 3 Inner Ring of Class 6 Tolerance

μ m

d mm		Δ d _{mp}		V _{dp} ⁽¹⁾			V _{dmp}	K _{ia}	Δ B _s			V _{BS}
				Diameter series					All	Normal	Modify ⁽³⁾	
				9	0,1	2,3,4						
Over	To	Upper deviation	Lower deviation	max			max	max	Upper deviation	Lower deviation	max	
0.6 ⁽¹⁾	2.5	0	-7	9	7	5	5	5	0	-40		12
2.5	10		-7	9	7	5	5	6		-120	-250	15
10	18		-7	9	7	5	5	7		-120	-250	20
18	30		-8	10	8	6	6	8		-120	-250	20
30	50		-10	13	10	8	8	10		-120	-250	20
50	80		-12	15	15	9	9	10		-150	-380	25
80	120		-15	19	19	11	11	13		-200	-380	25
120	180		-18	23	23	14	14	18		-250	-500	30
180	250		-22	28	28	17	17	20		-300	-500	30

- Note: 1) Including 0.6.
 2) No stipulation for diameter series 7 and 8
 3) Single inner ring with set mounted or group mounted
 4) Tapered Roller Bearings are not included

Table 4 Outer Ring of Class 6 Tolerance

μ m

D mm		Δ D _{mp}		V _{Dp} ^(1,4)				V _{Dmp} ⁽⁴⁾	K _{ea}	Δ C _s ⁽⁵⁾		V _{Cs} ⁽⁵⁾ V _{C1s} ⁽⁵⁾
				Oper		Close				Upper deviation	Lower deviation	
				Diameter series								
Over	To	Upper deviation	Lower deviation	9	0,1	2,3,4	2,3,4	max	max	Upper deviation	Lower deviation	max
2.5 ⁽¹⁾	6	0	-7	9	7	5	9	5	8	Be same with Δ B _s and V _{B_S} of the inner ring		
6	18		-7	9	7	5	9	5	8			
18	30		-8	10	8	6	10	6	9			
30	50		-9	11	9	7	13	7	10			
50	80		-11	14	11	8	16	8	13			
80	120		-13	16	16	10	20	10	18			
120	150		-15	19	19	11	25	11	20			
150	180		-18	23	23	14	30	14	23			
180	250		-20	25	25	15		15	25			
250	315	-25	31	31	19		19	30				

- Note: 1) Including 2.5.
 2) No stipulation for diameter series 7 and 8
 3) No stipulation for diameter series 9, 0 and 1
 4) Suitable for beatings before mounting or disassembly
 5) Only suitable for deep groove ball bearings.
 6) Tapered Roller Bearings are not included



RADIAL BEARING TOLERANCE

Table 5 Inner Ring of Class 5 Tolerance

μ m

d mm		Δ d _{mp}		V _{dp} ²⁾			V _{dmp}	K _{ia}	S _d	S _{ia} ³⁾	Δ B _s			V _{bs}
				Diameter, series							All	Normal	Modify ⁴⁾	
				9	0,1	2,3,4								
Over	To	Upper deviation	Lower deviation	max			max	max	max	max	Upper deviation	Lower deviation		max
0.6 ¹⁾	2.5	0	-5	5	4	3	4	7	7	0	-40	-250	5	
2.5	10		-5	5	4	3	4	7	7		-40	-250	5	
10	18		-5	5	4	3	4	7	7		-80	-250	5	
18	30		-6	6	5	3	4	8	8		-120	-250	5	
30	50		-8	8	6	4	5	8	8		-120	-250	5	
50	80		-9	9	7	5	5	8	8		-150	-250	6	
80	120		-10	10	8	5	6	9	9		-200	-380	7	
120	180		-13	13	10	7	8	10	10		-250	-380	8	
180	250		-15	15	12	8	10	11	13		-300	-500	10	

- Note: 1) Including 0.6.
 2) No stipulation for diameter series 7 and 8
 3) Only suitable for deep groove ball bearings.
 4) Single inner ring with set mounted or group mounted
 5) Tapered Roller Bearings are not included

Table 6 Outer Ring of Class 5 Tolerance

μ m

D mm		Δ D _{mp}		V _{Dp} ^{2),3)}			V _{Dmp}	K _{ea}	S _o ⁴⁾ S _o ⁵⁾	S _{ea} ^{4),5)}	S _{ea} ⁶⁾	Δ C _s ⁶⁾ Δ C _i ⁵⁾		V _{cs} ⁶⁾ V _{ctis} ⁶⁾
				Diameter, series								Upper deviation	Lower deviation	
				9	0,1	2,3,4								
Over	To	Upper deviation	Lower deviation	max			max	max	max	max	Upper deviation	Lower deviation	max	
2.5 ¹⁾	6	0	-5	5	4	3	5	8	8	11	Be same with Δ B _s and V _{Bs} of the inner ring	-40	-250	5
6	18		-5	5	4	3	5	8	8	11		-40	-250	5
18	30		-6	6	5	3	6	8	8	11		-80	-250	5
30	50		-7	7	5	4	7	8	8	11		-120	-250	5
50	80		-9	9	7	5	8	8	10	14		-150	-250	6
80	120		-10	10	8	5	10	9	11	16		-200	-380	7
120	150		-11	11	8	6	11	10	13	18		-250	-380	8
150	180		-13	13	10	7	13	10	14	20		-300	-500	10
180	250		-15	15	11	8	15	11	15	21		-350	-500	10
250	315	-18	18	14	9	18	13	18	25	-400	-500	11		

- Note: 1) Including 2.5.
 2) No stipulation for diameter series 7 and 8
 3) No stipulation for diameter series 9, 0 and 1
 4) Suitable for bearings before mounting or disassembly
 5) Only suitable for deep groove ball bearings.
 6) Tapered Roller Bearings are not included



RADIAL BEARING TOLERANCE

Table 7 Inner Ring of Class 4 Tolerance

d mm		Δd_{mp}		$\Delta d_s^{2)}$		V _{dp} ²⁾		V _{Dmp}	K _{is}	S _d	S _{is} ⁴⁾	ΔB_s			V _{BS}	
						Diameter, series						All	Normal	Modify ⁵⁾		
						9	0,1,2,3,4									
Over	To	Upper deviation	Lower deviation	Upper deviation	Lower deviation	max		max	max	max	max	Upper deviation	Lower deviation		max	
0.6 ¹⁾	2.5	0	-4	0	-4	4	3	2	2.5	3	3	0		-40	-250	2.5
2.5	10		-4		-4	4	3	2	2.5	3	3		-40	-250	2.5	
10	18		-4		-4	4	3	2	2.5	3	3		-80	-250	2.5	
18	30		-5		-5	5	4	2.5	3	4	4		-120	-250	2.5	
30	50		-6		-6	6	5	3	4	4	4		-120	-250	3	
50	80		-7		-7	7	5	3.5	4	5	5		-150	-250	4	
80	120		-8		-8	8	6	4	5	5	5		-200	-380	4	
120	180		-10		-10	10	8	5	6	6	7		-250	-380	5	
180	250		-12		-12	12	9	6	8	7	8		-300	-500	6	

- Note: 1) Including 0.6.
 2) Only suitable for series 0,1,2,3,4
 3) No stipulation for diameter series 7 and 8
 4) only suitable for deep groove ball bearings.
 5) Single inner ring with set mounted or group mounted
 6) Tapered Roller Bearings are not included

Table 8 Outer Ring of Class 4 Tolerance

D mm		ΔD_{mp}		$\Delta D_s^{2)3)4)}$		V _{dp} ²⁾		V _{Dmp}	K _{es}	S _o ⁵⁾ S _{o1} ⁶⁾	S _{es} ⁵⁾	S _{es1} ⁶⁾	ΔC_s		V _{CS} V _{CS1}
						Diameter, series							Upper deviation	Lower deviation	
						9	0,1,2,3,4								
Over	To	Upper deviation	Lower deviation	Upper deviation	Lower deviation	max		max	max	max	max	max	Upper deviation	Lower deviation	max
2.5 ¹⁾	6	0	-4	0	-4	4	3	2	3	4	5	7	Be same with ΔB_s and VBS of the inner ring		2.5
6	18		-4		-4	4	3	2	3	4	5	7		2.5	
18	30		-5		-5	5	4	2.5	4	4	5	7		2.5	
30	50		-6		-6	6	5	3	5	4	5	7		2.5	
50	80		-7		-7	7	5	3.5	5	4	5	7		3	
80	120		-8		-8	8	6	4	6	5	6	8		4	
120	150		-9		-9	9	7	5	7	5	7	10		5	
150	180		-10		-10	10	8	5	8	5	8	11		5	
180	250		-11		-11	11	8	6	10	7	10	14		7	
250	315	-13	-13	13	10	7	11	8	11	14	7				

- Note: 1) Including 2.5.
 2) No stipulation for diameter series 7 and 8
 3) No stipulation for diameter series 9.0 and 1
 4) Suitable for bearings before mounting or disassembly
 5) Only suitable for deep groove ball bearings.
 6) Tapered Roller Bearings are not included



DEEP GROOVE BALL BEARING RADIAL CLEARANCE

Deep Grove Ball Bearing Radial Clearance

μ m

Bore Diameter d(mm)		C2		Standard (Omitted)		C3		C4		C5	
Over	To	min	max	min	max	min	max	min	max	min	max
2.5	6	0	7	2	13	8	23				
6	10	0	7	2	13	8	23	14	29	20	37
10	18	0	9	3	18	11	25	18	33	25	45
18	24	0	10	5	20	13	28	20	36	28	48
24	30	1	11	5	20	13	28	23	41	30	53
30	40	1	11	6	20	15	33	28	46	40	64
40	50	1	11	6	23	18	36	30	51	45	73
50	65	1	15	8	28	23	43	38	61	55	90
65	80	1	15	10	30	25	51	46	71	65	105
80	100	1	18	12	36	30	58	53	84	75	120
100	120	2	20	15	41	36	66	61	97	90	140
120	140	2	23	18	48	41	81	71	114	105	160
140	160	2	23	18	53	46	91	81	130	120	180
160	180	2	25	20	61	53	102	91	147	135	200
180	200	2	30	25	71	63	117	107	163	150	230
200	225	2	35	25	85	75	140	125	195	175	265
225	250	2	40	30	95	85	160	145	225	205	300

Electric Motor Bearing Radial Clearance

μ m

Bore Diameter		Radial Clearance			
d(mm)		Deep Groove Ball Bearing		Cylindrical Roller Bearing	
Over	To	min	max	min	max
10(include)	18	4	11	-	-
18	24	5	12	-	-
24	30	5	12	15	30
30	40	9	17	15	30
40	50	9	17	20	35
50	65	12	22	25	40
65	80	12	22	30	45
80	100	18	30	35	55
100	120	18	30	35	60
120	140	24	38	40	65
140	160	24	38	50	80
160	180	-	-	60	90
180	200	-	-	65	100



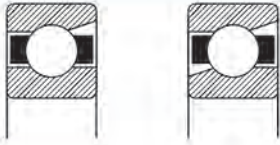
ANGULAR CONTACT BALL BEARINGS





ANGULAR CONTACT BALL BEARINGS

TYPE CODE:7



BORE DIAMETER DESIGNATION

5 X--= mm
 5 X08= 40mm
 5 X12= 60mm

7

0

10

C

DB

P5

7

2

12

BM

DF

SIZE DESIGNATIONS

0=70xx
 2= 72xx
 3=73xx
 4=74xx

MOUNTING

/DB:Mount in sets,back to back
 /DF:Mount in sets,face to face
 /DT:Mount in sets tandem

TOLERANCE CLASS

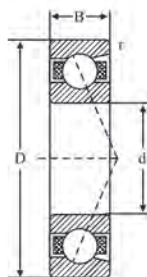
/P0:Equal grade ABEC1,omissible
 /P6:Equal grade ABEC3
 /P5:Equal grade ABEC5
 /P4:Equal grade ABEC7
 /P2:Equal tolerance class ABEC9

DESIGNS, TYPES AND FEATURES

/C:Normal contact angle $\alpha = 15^\circ$
 /AC:Normal contact angle $\alpha = 25^\circ$
 /A:Normal contact angle $\alpha = 30^\circ$
 /B:Normal contact angle $\alpha = 40^\circ$
 /M:Brass solid retainer
 /TN:Glass-fiber reinforced nylon cage



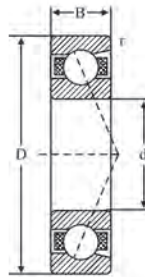
ANGULAR CONTACT BALL BEARINGS



Principal dimensions(mm)				Kg Weight	Bearing Number	Basic Load Rating(kN)		Limiting Speed(rpm)	
d	D	B	r _{min}			Dynamic Cr	Static Cor	Grease	Oil
12	32	10	0.60	0.037	7201C	7.90	3.80	20000	25000
	32	10	0.60	0.036	7201B	6.90	3.20	18000	24000
15	32	9	0.30	0.030	7002C	6.20	3.30	19000	25000
	35	11	0.60	0.045	7202C	9.20	4.90	17000	22000
	35	11	0.60	0.045	7202B	7.90	4.20	16000	22000
17	42	13	1.00	0.080	7302B	12.40	6.50	14000	19000
	35	10	0.15	0.040	7003C	6.93	3.94	29000	39000
	35	10	0.15	0.031	7003A	6.44	3.70	20000	27000
	40	12	0.30	0.067	7203C	10.08	5.52	28000	36000
	40	12	0.30	0.060	7203A	10.80	6.34	18000	25000
	40	12	0.30	0.062	7203B	9.90	5.86	16000	21000
	47	14	1.00	0.109	7303C	15.70	8.25	26000	35000
	47	14	0.60	0.111	7303A	14.31	8.30	17000	23000
	47	14	0.60	0.113	7303B	13.32	7.68	14000	19000
20	42	12	0.30	0.071	7004C	9.45	5.81	26000	34000
	42	12	0.30	0.063	7004A	8.73	5.38	18000	24000
	47	14	0.60	0.113	7204C	13.14	7.82	24000	32000
	47	14	0.60	0.100	7204A	13.05	8.06	16000	22000
	47	14	0.60	0.104	7204B	11.97	7.39	14000	19000
	52	15	1.10	0.140	7304C	18.50	9.95	23000	31000
	52	15	0.60	0.140	7304A	16.83	9.98	15000	20000
	52	15	0.60	0.144	7304B	15.57	9.26	12000	17000
25	47	12	0.30	0.083	7005C	10.53	7.15	22000	29000
	47	12	0.30	0.074	7005A	9.63	6.58	15000	20000
	52	15	0.60	0.139	7205C	14.94	9.79	20000	27000
	52	15	0.60	0.139	7205AC	15.80	9.70	20000	27000
	52	15	0.60	0.126	7205A	14.58	9.89	13000	18000
	52	15	0.60	0.129	7205B	13.32	9.02	11000	15000
	62	17	1.10	0.222	7305C	26.40	15.30	19000	26000
	62	17	0.60	0.230	7305A	23.76	15.17	12000	16000
	62	17	0.60	0.236	7305B	21.96	14.02	10000	14000
30	55	13	0.60	0.130	7006C	13.59	9.89	19000	25000
	55	13	0.60	0.130	7006AC	14.40	9.80	19000	25000
	55	13	0.60	0.111	7006A	12.51	9.07	12000	17000
	62	16	0.60	0.218	7206C	20.70	14.11	17000	23000
	62	16	0.60	0.191	7206A	20.25	14.21	11000	15000
	62	16	0.60	0.197	7206B	18.45	12.96	10000	13000
	72	19	1.10	0.330	7306C	32.50	20.30	16000	22000
	72	19	0.60	0.341	7306A	30.15	21.41	10000	14000
	72	19	0.60	0.349	7306B	27.90	19.68	9100	12000



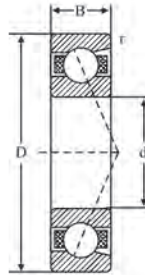
ANGULAR CONTACT BALL BEARINGS



Principal dimensions(mm)				Kg Weight	Bearing Number	Basic Load Rating(kN)		Limiting Speed(rpm)	
d	D	B	r _{min}			Dynamic Cr	Static Cor	Grease	Oil
35	62	14	0.60	0.169	7007C	17.19	13.15	16000	22000
	62	14	0.60	0.148	7007A	15.75	12.10	11000	15000
	72	17	0.60	0.316	7207C	27.45	19.10	15000	20000
	72	17	0.60	0.284	7207A	26.73	19.30	10000	13000
	72	17	0.60	0.289	7207B	24.39	17.66	8800	11000
	80	21	1.00	0.440	7307C	40.50	25.80	14000	19000
	80	21	1.00	0.459	7307A	36.00	25.25	9300	12000
	80	21	1.00	0.469	7307B	32.85	23.23	8000	10000
40	68	15	0.60	0.209	7008C	18.54	15.26	14000	20000
	68	15	0.60	0.186	7008A	16.92	14.02	10000	13000
	80	18	0.60	0.413	7208C	32.85	24.19	13000	18000
	80	18	0.60	0.413	7208AC	36.80	25.40	13000	18000
	80	18	0.60	0.370	7208A	31.95	24.10	9100	12000
	80	18	0.60	0.378	7208B	28.80	22.08	7900	10000
	90	23	1.50	0.606	7308C	49.50	32.50	13000	17000
	90	23	1.00	0.628	7308A	44.10	31.68	8200	11000
45	90	23	1.00	0.643	7308B	40.50	29.28	7000	9400
	75	16	0.60	0.268	7009C	21.96	18.53	13000	18000
	75	16	0.60	0.250	7009A	20.00	15.00	8500	12000
	85	19	0.60	0.405	7209A	35.55	27.55	8300	11000
	85	19	0.60	0.410	7209C	40.40	29.30	9000	13000
	85	19	0.60	0.415	7209B	32.40	25.15	7000	9400
	100	25	1.50	0.830	7309C	64.00	43.00	11000	15000
	100	25	1.00	0.840	7309A	57.15	41.76	7400	9500
50	100	25	1.00	0.861	7309B	52.65	38.40	6300	8500
	80	16	0.60	0.285	7010C	23.40	20.74	12000	16000
	80	16	0.60	0.285	7010AC	25.30	20.50	12000	16000
	80	16	0.60	0.255	7010A	21.33	19.30	8200	10000
	90	20	0.60	0.519	7210C	38.70	30.24	11000	14000
	90	20	0.60	0.457	7210A	37.35	30.24	7500	9500
	90	20	0.60	0.468	7210B	33.75	27.46	6400	8600
	110	27	2.00	1.050	7310C	75.00	51.50	1000	14000
55	110	27	1.00	1.091	7310A	66.60	49.92	6700	8900
	110	27	1.00	1.110	7310B	61.20	46.08	5700	7700
	90	18	0.60	0.421	7011C	30.60	27.46	11000	14000
	90	18	0.60	0.388	7011A	27.90	25.25	7500	10000
	100	21	1.00	0.679	7211C	47.70	38.40	10000	13000
	100	21	1.00	0.679	7211AC	50.80	38.20	10000	13000
	100	21	1.00	0.604	7211A	45.90	37.92	6700	9000



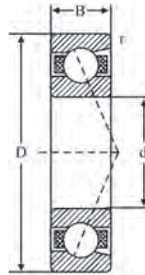
ANGULAR CONTACT BALL BEARINGS



Principal dimensions(mm)				Kg Weight	Bearing Number	Basic Load Rating(kN)		Limiting Speed(rpm)	
d	D	B	r _{min}			Dynamic Cr	Static Cor	Grease	Oil
	100	21	1.00	0.617	7211B	41.85	34.56	5800	7800
	120	29	2.00	1.340	7311C	87.00	60.50	9400	13000
	120	29	1.00	1.400	7311A	77.40	59.04	6100	8200
	120	29	1.00	1.441	7311B	71.10	54.24	5200	6900
60	95	18	0.60	0.449	7012C	31.50	29.28	10000	13000
	95	18	0.60	0.406	7012A	28.80	26.98	6800	9100
	110	22	1.00	0.878	7212C	57.60	47.52	9200	12000
	110	22	1.00	0.787	7212A	55.35	47.04	6300	8400
	110	22	1.00	0.804	7212B	50.40	42.72	5400	7200
	130	31	2.10	1.680	7312C	99.00	70.50	8700	12000
	130	31	2.10	1.680	7312AC	95.20	67.20	8700	12000
	130	31	1.10	1.729	7312A	88.20	68.64	5600	7500
	130	31	1.10	1.769	7312B	81.00	63.36	4800	6500
65	100	18	0.60	0.483	7013C	33.30	33.12	9400	12000
	100	18	0.60	0.445	7013A	30.15	30.24	6400	8600
	120	23	1.00	1.130	7213C	63.00	52.80	8600	11000
	120	23	1.00	1.020	7213A	63.45	55.68	5800	7700
	120	23	1.00	1.040	7213B	57.15	50.40	4900	6700
	140	33	2.10	2.060	7313C	112.00	80.50	8100	11000
	140	33	1.10	2.110	7313A	99.90	78.72	5200	6900
	140	33	1.10	2.160	7313B	91.80	72.48	4500	6000
	110	20	0.60	0.688	7014C	42.30	41.28	8700	11000
	110	20	0.60	0.615	7014A	38.25	37.92	5900	7900
	125	24	1.00	1.230	7214C	68.40	57.60	7900	10000
	125	24	1.00	1.100	7214A	68.85	60.96	5400	7200
	125	24	1.00	1.130	7214B	62.10	55.68	4700	6200
	150	35	2.10	2.500	7314C	126.00	92.00	7500	10000
	150	35	1.10	2.590	7314A	112.50	89.76	4800	6500
	150	35	1.10	2.640	7314B	102.60	82.56	4200	5500
	115	20	0.60	0.739	7015C	43.20	43.68	8200	10000
	115	20	0.60	0.652	7015A	39.15	39.84	5500	7400
	130	25	1.00	1.351	7215C	71.55	62.88	7400	9500
	130	25	1.00	1.181	7215A	71.10	65.76	5000	6700
	130	25	1.00	1.211	7215B	64.35	59.52	4300	5700
	160	37	2.10	3.090	7315C	137.00	104.00	7000	9300
	160	37	1.10	3.121	7315A	122.40	101.76	4600	6000
	160	37	1.10	3.181	7315B	112.50	93.60	3900	5100
	125	22	0.60	0.958	7016C	52.92	53.28	7600	10000
	125	22	0.60	0.872	7016A	48.15	48.48	5200	6900
	140	26	1.00	1.622	7216C	83.70	74.40	6900	9200



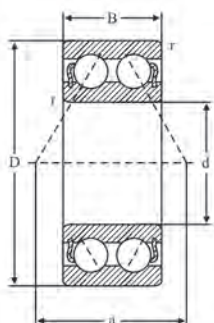
ANGULAR CONTACT BALL BEARINGS



Principal dimensions(mm)				Kg Weight	Bearing Number	Basic Load Rating(kN)		Limiting Speed(rpm)	
d	D	B	r _{min}			Dynamic Cr	Static Cor	Grease	Oil
	140	26	1.0	1.452	7216A	80.10	72.96	4800	6300
	140	26	1.0	1.482	7216B	72.45	66.72	4100	5400
	170	39	2.1	3.550	7316C	149.00	117.00	6500	8700
	170	39	1.1	3.702	7316A	132.30	114.24	4300	5600
	170	39	1.1	3.782	7316B	121.50	104.64	3600	4800
85	130	22	0.6	1.005	7017C	54.00	56.16	7200	9500
	130	22	0.6	0.909	7017A	49.05	51.36	4800	6600
	150	28	1.0	2.036	7217C	93.60	86.88	6600	8600
	150	28	1.0	1.825	7217A	89.55	84.96	4500	5900
	150	28	1.0	1.865	7217B	81.00	77.28	3800	5000
	180	41	3.0	4.180	7317C	161.00	130.00	6200	8200
	180	41	1.1	4.326	7317A	143.10	127.68	4000	5300
	180	41	1.1	4.415	7317B	131.40	117.12	3400	4600
90	140	24	1.0	1.332	7018C	64.35	66.24	6700	9000
	140	24	1.0	1.183	7018A	58.50	60.96	4700	6200
	160	30	1.0	2.501	7218C	110.70	100.80	6200	8200
	160	30	1.0	2.243	7218A	106.20	98.88	4200	5600
	160	30	1.0	2.285	7218B	96.30	90.24	3600	4800
	190	43	3.0	4.880	7318C	183.00	158.00	5800	7800
	190	43	1.1	5.054	7318A	153.90	141.12	3800	5000
	190	43	1.1	5.164	7318B	140.40	129.60	3200	4300
95	145	24	1.0	1.411	7019C	66.15	70.08	6500	8600
	145	24	1.0	1.422	7019A	60.30	64.32	4400	5800
	170	32	1.1	3.041	7219C	125.10	115.20	5800	7700
	170	32	1.1	2.673	7319A	119.70	113.28	3900	5200
	170	32	1.1	2.733	7219B	108.90	102.72	3300	4500
	200	45	3.0	5.650	7319C	196.00	174.00	5500	7300
	200	45	1.1	5.822	7319A	164.70	155.52	3500	4800
	200	45	1.1	5.974	7319B	150.30	143.04	3000	4000
100	150	24	1.0	1.455	7020C	67.95	73.92	6100	8200
	150	24	1.0	1.473	7020A	61.65	67.68	4200	5500
	180	34	1.1	3.643	7220C	130.50	121.92	5500	7300
	180	34	1.1	3.211	7220A	129.60	120.96	3700	4900
	180	34	1.1	3.272	7220B	117.00	109.44	3200	4300
	215	47	3.0	6.900	7320C	222.00	207.00	5200	6900
	215	47	1.1	7.284	7320A	186.30	185.28	3300	4500
	215	47	1.1	7.423	7320B	171.00	170.88	2900	3800



DOUBLE ROW ANGULAR CONTACT BALL BEARINGS



Principal dimensions(mm)					Weight Kg	Bearing Number	Basic Load Rating(kN)		Limiting Speed(rpm)	
d	D	B	a	r _{min}			Dynamic Cr	Static Cor	Grease	Oil
10	30	14.3	18.5	0.6	0.049	5200	6.95	3.80	14000	19000
12	32	15.9	20.5	0.6	0.057	5201	9.15	5.05	13000	17000
15	35	15.9	22.5	0.6	0.064	5202	10.00	6.05	11000	15000
	42	19.0	26.0	1.0	0.132	5302	17.20	10.10	9900	13000
17	40	17.5	25.5	0.6	0.096	5203	12.80	7.90	9900	13000
	47	22.2	28.5	1.0	0.181	5303	20.40	12.10	9000	12000
20	47	20.6	29.5	1.0	0.153	5204	19.00	12.10	8800	12000
	52	22.2	32.0	1.1	0.217	5304	20.60	12.70	8000	11000
25	52	20.6	32.5	1.0	0.175	5205	20.60	14.30	7300	9800
	62	25.4	38.0	1.1	0.362	5305	30.50	20.50	6700	8900
30	62	23.8	38.5	1.0	0.286	5206	28.60	20.40	6300	8400
	72	30.2	44.5	1.1	0.553	5306	39.50	27.50	5700	7600
35	72	27.0	44.5	1.1	0.436	5207	38.00	27.80	5500	7400
	80	34.9	50.0	1.5	0.766	5307	49.50	35.00	5000	6600
40	80	30.2	49.0	1.1	0.590	5208	42.50	32.50	4900	6600
	90	36.5	55.0	1.5	1.010	5308	60.50	44.00	4400	5900
45	85	30.2	52.5	1.1	0.640	5209	48.00	37.00	4400	5900
	100	39.7	61	1.5	1.340	5309	72.50	54.00	4000	5300
50	90	30.2	55.5	1.1	0.689	5210	51.00	42.00	4000	5300
	110	44.4	67.0	2.0	1.810	5310	85.50	64.50	3600	4800
55	100	33.3	61.5	1.5	0.986	5211	63.00	53.00	3600	4900
	120	49.2	75.0	2.0	2.320	5311	106.00	82.00	3300	4400
60	110	36.5	67.5	1.5	1.270	5212	71.50	58.50	3400	4500
	130	54.0	82.0	2.1	3.050	5312	122.00	95.50	3000	4000
65	120	38.1	72.5	1.5	1.570	5213	83.50	72.50	3100	4200
	140	58.7	88.5	2.1	3.960	5313	138.00	109.00	2800	3700
70	125	39.7	76.5	1.5	1.800	5214	90.50	79.50	2900	3900
	150	63.5	97.0	2.1	4.740	5314	155.00	125.00	2600	3500
75	130	41.3	79.5	1.5	1.900	5215	90.00	80.50	2700	3600
	160	68.3	104.0	2.1	5.650	5315	168.00	141.00	2400	3200
80	140	44.4	88.0	2.0	2.390	5216	106.00	95.50	2500	3400
	150	49.2	95.0	2.0	3.060	5217	112.00	106.00	2400	3200
90	160	52.4	101.0	2.0	3.730	5218	140.00	129.00	2200	3000
95	170	55.6	106.0	2.1	4.860	5219	159.00	148.00	2100	2800
100	180	60.3	111.0	2.1	5.940	5220	178.00	167.00	2000	2700

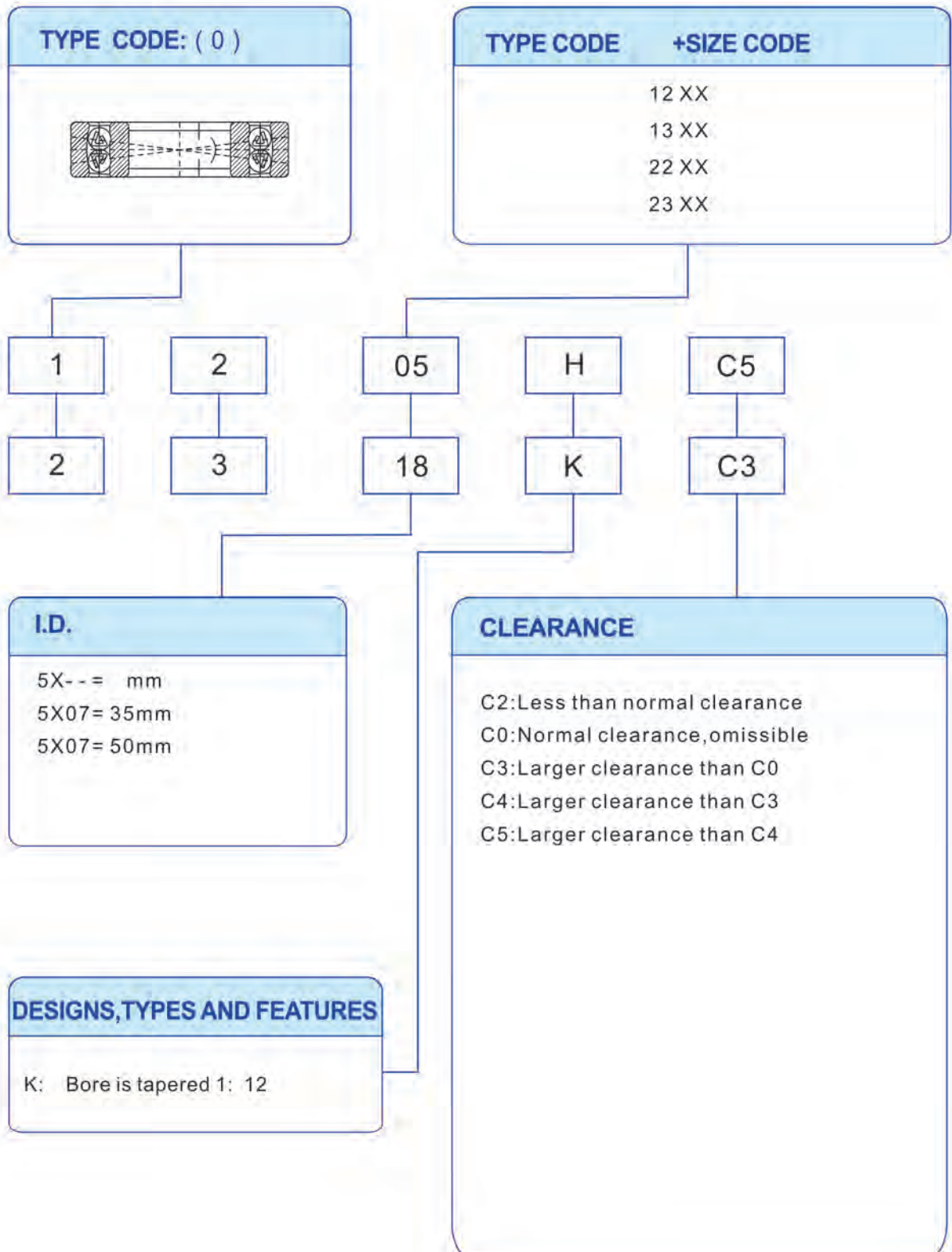


SELF-ALIGNING BALL BEARINGS



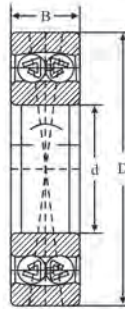


SELF-ALIGNING BALL BEARINGS





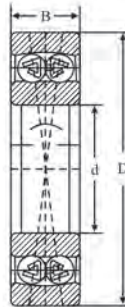
SELF-ALIGNING BALL BEARINGS



Principal dimensions(mm)				Weight Kg	Bearing Number	Basic Load Rating(kN)		Limiting Speed(rpm)	
d	D	B	r _{min}			Dynamic Cr	Static Cor	Grease	Oil
10	30	9	0.6	0.033	1200	4.95	1.14	20000	23000
	30	14	0.6	0.042	2200	6.57	1.53	18000	22000
	35	11	0.6	0.057	1300	6.53	1.56	17000	20000
12	35	17	0.6	0.077	2300	9.09	2.06	16000	19000
	32	10	0.6	0.039	1201	5.04	1.22	17000	21000
	32	14	0.6	0.048	2201	6.84	1.66	16000	19000
	37	12	1.0	0.066	1301	8.51	2.07	15000	17000
15	37	17	1.0	0.082	2301	10.62	2.60	14000	16000
	35	11	0.6	0.048	1202	6.71	1.68	15000	18000
	35	14	0.6	0.055	2202	6.93	1.78	14000	17000
	42	13	1.0	0.093	1302	8.60	2.20	12000	15000
17	42	17	1.0	0.108	2302	10.80	2.78	12000	14000
	40	12	0.6	0.072	1203	7.11	1.93	13000	16000
	40	16	0.6	0.085	2203	8.82	2.31	12000	15000
	47	14	1.0	0.130	1303	11.25	3.07	11000	13000
20	47	19	1.0	0.150	2303	12.96	3.41	10000	13000
	47	14	1.0	0.120	1204	8.91	2.51	12000	14000
	47	18	1.0	0.133	2204	11.34	3.17	11000	13000
	52	15	1.1	0.165	1304	11.16	3.22	10000	12000
25	52	21	1.1	0.193	2304	16.29	4.51	10000	11000
	52	15	1.0	0.140	1205	10.89	3.17	10000	12000
	52	18	1.0	0.150	2205	11.07	3.31	10000	11000
	62	17	1.1	0.255	1305	16.20	4.80	8600	10000
30	62	24	1.1	0.319	2305	21.96	6.34	8100	10000
	62	16	1.0	0.220	1206	14.04	4.46	8700	10000
	62	20	1.0	0.249	2206	13.68	4.32	8200	10000
	72	19	1.1	0.385	1306	19.17	6.05	7300	8600
35	72	27	1.1	0.480	2306	28.35	8.40	6800	8100
	72	17	1.1	0.320	1207	14.22	4.90	7600	8900
	72	23	1.1	0.378	2207	19.35	6.34	7100	8400
	80	21	1.5	0.510	1307	22.59	7.54	6500	7600
40	80	31	1.5	0.642	2307	35.55	10.85	6000	7000
	80	18	1.1	0.415	1208	17.37	6.29	6700	8000
	80	23	1.1	0.477	2208	20.07	7.06	6400	7500
	90	23	1.5	0.715	1308	26.64	9.31	5700	6700
45	90	33	1.5	0.889	2308	40.50	12.96	5300	6300
	85	19	1.1	0.465	1209	19.71	7.06	6100	7100
	85	23	1.1	0.522	2209	20.88	7.82	5700	6700
	100	25	1.5	0.955	1309	34.20	12.19	5100	6000
	100	36	1.5	1.200	2309	48.60	16.03	4800	5600



SELF-ALIGNING BALL BEARINGS



Principal dimensions(mm)				Weight Kg	Bearing Number	Basic Load Rating(kN)		Limiting Speed(rpm)	
d	D	B	r _{min}			Dynamic Cr	Static Cor	Grease	Oil
50	90	20	1.1	0.525	1210	20.43	7.780	5500	6500
	90	23	1.1	0.564	2210	20.88	8.110	5200	6100
	110	27	2.0	1.250	1310	39.15	13.540	4700	5500
55	110	40	2.0	1.580	2310	58.05	19.390	4400	5100
	100	21	1.5	0.705	1211	24.12	9.600	5000	5900
	100	25	1.5	0.746	2211	23.85	9.500	4800	5500
60	120	29	2.0	1.600	1311	46.35	17.180	4300	4900
	120	43	2.0	2.030	2311	67.95	23.040	4000	4700
	110	22	1.5	0.900	1212	27.00	11.040	4700	5500
65	110	28	1.5	1.030	2212	30.60	12.100	4400	5100
	130	31	2.1	2.030	1312	51.30	19.970	3900	4600
	130	46	2.1	2.570	2312	78.30	27.072	3600	4300
70	120	23	1.5	1.150	1213	27.90	12.000	4300	5000
	120	31	1.5	1.400	2213	39.15	15.740	4000	4800
	140	33	2.1	2.540	1313	55.80	21.990	3600	4300
75	140	48	2.1	3.200	2313	86.40	31.200	3400	4000
	125	24	1.5	1.300	1214	31.05	13.250	4000	4700
	125	31	1.5	1.520	2214	39.60	16.420	3700	4400
80	150	35	2.1	3.190	1314	67.05	26.590	3300	4000
	150	51	2.1	3.900	2314	98.10	36.000	3100	3700
	130	25	1.5	1.410	1215	35.10	15.070	3700	4400
85	130	31	1.5	1.600	2215	40.05	17.090	3500	4100
	160	37	2.1	3.650	1315	71.55	28.800	3100	3700
	160	55	2.1	4.770	2315	110.70	41.280	2900	3400
90	140	26	2.0	1.730	1216	36.00	16.320	3500	4100
	140	33	2.0	1.970	2216	43.65	19.100	3200	3800
	170	39	2.1	4.310	1316	79.65	31.680	2900	3400
95	170	58	2.1	5.540	2316	115.20	43.200	2800	3200
	150	28	2.0	2.090	1217	44.10	19.970	3300	3900
	150	36	2.0	2.480	2217	52.20	22.660	3000	3600
100	180	41	3.0	5.130	1317	87.75	36.480	2800	3200
	180	60	3.0	6.560	2317	126.00	49.400	2600	3000
	160	30	2.0	2.550	1218	51.30	22.560	3100	3600
105	160	40	2.0	3.130	2218	63.00	27.552	2900	3400
	190	43	3.0	5.940	1318	104.40	42.720	2600	3000
	190	64	3.0	7.760	2318	136.80	55.200	2500	2900
110	180	34	2.1	3.820	1220	69.50	29.700	2900	3400
	180	46	2.1	4.530	2220	94.50	38.500	2700	3200
	215	47	3.0	8.460	1320	140.00	57.500	2400	2900
	215	73	3.0	11.600	2320	187.00	79.000	2300	2700



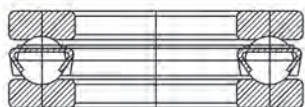
PLANE THRUST BALL BEARINGS





PLANE THRUST BALL BEARINGS

TYPE CODE: 5



5

5

5

5

TYPE CODE

+SIZE CODE

511XX

512XX

513XX

514XX

11

12

13

14

05

10

15

I.D.

5X- = mm

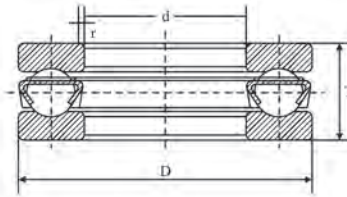
5X05= 25mm

5X10= 50mm

5X15= 75mm



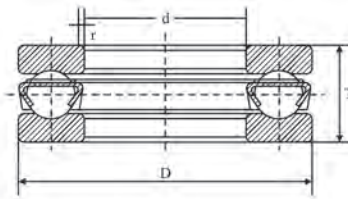
PLANE THRUST BALL BEARINGS



Principal dimensions(mm)				Weight Kg	Bearing Number	Basic Load Rating(kN)		Limiting Speed(rpm)	
d	D	T	r _{min}			Dynamic Cr	Static Cor	Grease	Oil
10	24	9	0.3	0.019	51100	9.00	13.44	6400	9000
	26	11	0.6	0.028	51200	11.43	16.42	5500	7900
12	26	9	0.3	0.021	51101	9.27	14.78	6100	8700
	28	11	0.6	0.031	51201	11.88	18.24	5300	7600
15	28	9	0.3	0.023	51102	9.45	16.13	5900	8400
	32	12	0.6	0.043	51202	14.94	23.81	4800	6700
17	30	9	0.3	0.025	51103	9.72	17.47	5700	8100
	35	12	0.6	0.050	51203	15.48	26.21	4600	6500
20	35	10	0.3	0.037	51104	12.78	23.71	4900	7100
	40	14	0.6	0.077	51204	20.07	36.00	3900	5600
25	42	11	0.6	0.056	51105	17.64	35.52	4400	6200
	47	15	0.6	0.111	51205	25.02	48.48	3500	5000
	52	18	1.0	0.169	51305	31.95	59.04	3000	4400
30	60	24	1.0	0.330	51405	55.50	89.50	2600	3700
	47	11	0.6	0.064	51106	18.36	40.32	4100	5900
	52	16	0.6	0.137	51206	26.37	55.68	3200	4700
35	60	21	1.0	0.267	51306	38.70	75.36	2700	3700
	70	28	1.0	0.516	51406	72.50	126.00	2200	3200
	52	12	0.6	0.081	51107	18.36	42.72	3700	5300
	62	18	1.0	0.210	51207	35.10	74.88	2800	4000
40	68	24	1.0	0.386	51307	49.95	100.80	2300	3300
	80	32	1.1	0.759	51407	87.00	155.00	1900	2800
	60	13	0.6	0.120	51108	24.21	60.48	3300	4800
45	68	19	1.0	0.270	51208	42.30	94.56	2600	3700
	78	26	1.0	0.536	51308	62.10	129.60	2100	2900
	90	36	1.1	1.080	51408	112.00	205.00	1700	2500
	65	14	0.6	0.143	51109	25.11	66.24	3000	4400
50	73	20	1.0	0.310	51209	43.20	100.80	2500	3500
	85	28	1.0	0.672	51309	72.00	156.48	1900	2800
	100	39	1.1	1.430	51409	130.00	242.00	1600	2200
55	70	14	0.6	0.153	51110	25.92	72.48	2900	4300
	78	22	1.0	0.378	51210	43.65	106.56	2300	3200
	95	31	1.1	0.931	51310	86.85	193.92	1700	2500
	110	43	1.5	1.900	51410	158.00	310.00	1400	2000
55	78	16	0.6	0.227	51111	31.50	89.28	2700	3800
	90	25	1.0	0.599	51211	62.55	152.64	2000	2900
	105	35	1.1	1.310	51311	107.10	236.16	1500	2200
	120	48	1.5	2.520	51411	178.00	360.00	1300	1800



PLANE THRUST BALL BEARINGS



Principal dimensions(mm)				Weight Kg	Bearing Number	Basic Load Rating(kN)		Limiting Speed(rpm)	
d	D	T	r _{min}			Dynamic Cr	Static Cor	Grease	Oil
60	85	17	1.0	0.281	51112	37.35	108.48	2500	3500
	95	26	1.0	0.673	51212	66.15	171.84	1900	2700
	110	35	1.1	1.400	51312	110.70	256.32	1500	2200
	130	51	1.5	3.120	51412	214.00	435.00	1200	1700
65	90	18	1.0	0.324	51113	37.35	112.32	2300	3300
	100	27	1.0	0.756	51213	67.50	181.44	1800	2600
	115	36	1.1	1.540	51313	115.20	275.52	1400	2100
	140	56	2.0	3.960	51413	232.00	495.00	1100	1600
70	95	18	1.0	0.346	51114	38.70	121.92	2300	3200
	105	27	1.0	0.793	51214	68.40	191.04	1700	2500
	125	40	1.1	2.000	51314	133.20	326.40	1300	1900
	150	60	2.0	4.860	51414	250.00	555.00	1000	1500
	100	19	1.0	0.389	51115	40.05	130.56	2100	3000
75	110	27	1.0	0.845	51215	69.75	200.64	1700	2500
	135	44	1.5	2.600	51315	153.90	379.20	1200	1700
	160	65	2.0	5.970	51415	269.00	615.00	940	1400
	105	19	1.0	0.417	51116	40.05	135.36	2100	2900
80	115	28	1.0	0.931	51216	70.65	209.28	1600	2300
	140	44	1.5	2.740	51316	158.40	408.00	1100	1700
	170	68	2.1	7.770	51416	270.00	620.00	890	1300
	110	19	1.0	0.440	51117	41.40	144.00	2000	2900
	125	31	1.0	1.220	51217	85.95	253.44	1500	2100
85	150	49	1.5	3.570	51317	180.90	470.40	1000	1500
	180	72	2.1	9.170	51417	288.00	685.00	840	1200
	120	22	1.0	0.646	51118	53.55	182.40	1800	2600
	135	35	1.1	1.690	51218	105.30	312.00	1300	1900
90	155	50	1.5	3.830	51318	178.20	470.40	1000	1500
	190	77	2.1	11.000	51418	305.00	750.00	790	1100
	135	25	1.0	0.960	51120	76.50	257.28	1600	2300
	150	38	1.1	2.250	51220	132.30	393.60	1200	1700
	170	55	1.5	4.980	51320	213.30	571.20	900	1300
100	210	85	3.0	14.700	51420	370.00	970.00	710	1000
	145	25	1.0	1.080	51122	85.00	286.00	1400	2200
	190	63	2.0	7.730	51322	265.00	703.00	680	1100
	155	25	1.0	1.160	51124	87.00	303.00	1400	2200
130	170	30	1.0	1.870	51126	102.00	348.00	1100	1800
140	180	31	1.0	2.030	51128	105.00	373.00	1100	1700
150	190	31	1.0	2.160	51130	107.00	398.00	1000	1700



TAPERED ROLLER BEARINGS(METRIC SERIES)



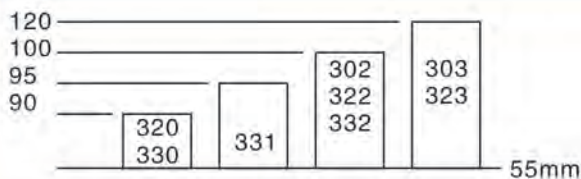


TAPERED ROLLER BEARINGS(METRIC SERIES)

TYPE CODE: 3



TYPE CODE + SIZE CODE



3

03

09

C

P6

/DB

3

22

12

X

/DF

I.D.

5X- = mm
 5X5 = 25mm
 5X20=100mm

DESIGNS, TYPES AND FEATURES

X: Dimensions of series 320 & 329
 accord with W/ISO/R355
 A: Internal structure change
 JR: Riveted cage
 R: With flange on outer ring

CONTACT ANGLE

C: Medium contact angle $17^{\circ} \sim 24^{\circ}$
 D: Steep contact angle $25^{\circ} \sim 45^{\circ}$
 now replaced by 313xx series
 LM: Light load symbol
 HM: Heavy load symbol

TOLERANCE CLASS OF TAPERED ROLLER BEARINGS

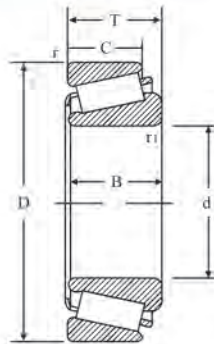
/P0: Equivalent to ABEC 1
 /P6: Equivalent to ABEC 3
 /P5: Equivalent to ABEC 5
 /P4: Equivalent to ABEC 7
 /P2: Equivalent to ABEC 9

MOUNTING COMBINATIONS:

DB: Mounting in set, back to back
 DF: Mounting in set, face to face
 KLR: DB combination cone spacer
 KR: DF combination cup spacer



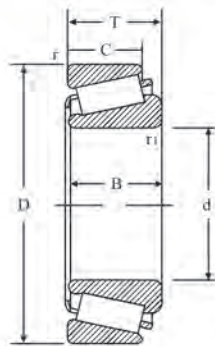
TAPERED ROLLER BEARINGS(METRIC SERIES)



Principal dimensions(mm)							Weight Kg	Bearing Number	Basic Load Rating(kN)		Limiting Speed(rpm)	
d	D	T	B	C	r _{min}	r _{max}			Dynamic Cr	Static Cor	Grease	Oil
15	35	11.75	11	10	0.6	0.6	0.098	30202	14.00	13.00	10000	14000
	42	14.25	13	11.0	1.0	1.0	0.098	30302	20.88	19.97	9400	12000
17	40	13.25	12	11.0	1.0	1.0	0.079	30203	18.45	19.49	9400	12000
	47	15.25	14	12.0	1.0	1.0	0.135	30303	26.01	25.25	8600	11000
	47	20.25	19	16	1.0	1.0	0.178	32303	34.50	33.50	8000	10500
20	42	15.00	15	12.0	0.6	0.6	0.097	32004X	22.41	26.78	9000	12000
	47	15.25	14	12.0	1.0	1.0	0.127	30204	25.38	27.55	8400	11000
	47	19.25	18	15.0	1.0	1.0	0.160	32204	32.85	37.92	8400	11000
	52	16.25	15	13.0	1.5	1.5	0.172	30304	31.95	32.64	7600	10000
	52	22.25	21	18.0	1.5	1.5	0.241	32304	41.85	46.56	7600	10000
25	47	15.00	15	11.5	0.6	0.6	0.116	32005X	25.02	32.16	7500	10000
	52	16.25	15	13.0	1.0	1.0	0.157	30205	28.35	32.64	6900	9300
	52	19.25	18	15.0	1.0	1.0	0.187	32205	37.80	45.12	6900	9300
	52	22.00	22	18.0	1.0	1.0	0.221	33205	42.75	55.20	6900	9300
	62	18.25	17	15.0	1.5	1.5	0.270	30305	43.65	45.60	6400	8400
	62	25.25	24	20.0	1.5	1.5	0.376	32305	55.35	61.92	6400	8400
30	55	17.00	17	13.0	1.0	1.0	0.172	32006X	33.75	44.16	6600	8700
	62	17.25	16	14.0	1.0	1.0	0.238	30206	39.15	46.08	6000	7900
	62	21.25	20	17.0	1.0	1.0	0.297	32206	49.05	61.44	6000	7900
	62	25.00	25	19.5	1.0	1.0	0.355	33206	58.50	73.92	6000	7900
	72	20.75	19	16.0	1.5	1.5	0.403	30306	54.00	58.56	5400	7200
	72	28.75	27	23.0	1.5	1.5	0.570	32306	72.90	86.40	5400	7200
35	62	18.00	18	14.0	1.0	1.0	0.230	32007X	37.35	50.40	5800	7700
	72	18.25	17	15.0	1.5	1.5	0.340	30207	49.95	59.04	5200	7000
	72	24.25	23	19.0	1.5	1.5	0.456	32207	65.25	83.52	5200	7000
	72	28.00	28	22.0	1.5	1.5	0.540	33207	78.75	104.64	5200	7000
	80	22.75	21	18.0	2.0	1.5	0.538	30307	67.50	73.92	4800	6300
	80	32.75	31	25.0	2.0	1.5	0.765	32307	90.90	110.40	4800	6300



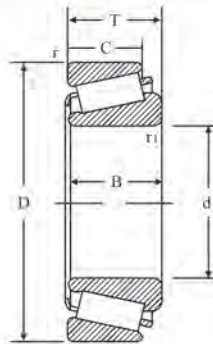
TAPERED ROLLER BEARINGS(METRIC SERIES)



Principal dimensions(mm)							Weight Kg	Bearing Number	Basic Load Rating(kN)		Limiting Speed(rpm)	
d	D	T	B	C	r _{min}	r _{max}			Dynamic Cr	Static Cor	Grease	Oil
40	68	19.00	19	14.50	1.0	1.0	0.280	32008X	45.00	62.88	5000	6700
	68	22.00	22	18.00	1.0	1.0	0.322	33008	53.55	79.20	5000	6700
	80	19.75	18	16.00	1.5	1.5	0.438	30208	54.90	64.32	4700	6300
	80	24.75	23	19.00	1.5	1.5	0.549	32208	71.55	89.76	4700	6300
	80	32.00	32	25.00	1.5	1.5	0.744	33208	92.70	126.72	4700	6300
	90	25.25	23	20.00	2.0	1.5	0.758	30308	82.35	97.92	4200	5600
	90	35.25	33	27.00	2.0	1.5	1.050	32308	109.80	144.00	4200	5600
	90	25.25	23	17	2.0	1.5	0.728	31308	77.00	86.50	3300	4800
	45	75	20.00	20	15.50	1.0	1.0	0.354	32009X	51.75	73.44	4600
75		24.00	24	19.00	1.0	1.0	0.414	33009	59.40	89.76	4600	6000
80		26.00	26	20.50	1.5	1.5	0.552	33109	76.05	110.40	4500	5900
85		20.75	19	16.00	1.5	1.5	0.488	30209	60.75	75.36	4200	5600
85		24.75	23	19.00	1.5	1.5	0.602	32209	73.80	96.00	4200	5600
85		32.00	32	25.00	1.5	1.5	0.817	33209	96.30	135.36	4200	5600
100		27.25	25	22.00	2.0	1.5	1.010	30309	99.90	120.96	3800	5000
100		38.25	36	30.00	2.0	1.5	1.420	32309	138.60	183.36	3800	5000
100		27.25	25	18	2.0	1.5	0.947	31309	92.50	106.00	2900	4300
50	80	20.00	20	15.50	1.0	1.0	0.380	32010X	56.25	84.48	4200	5500
	80	24.00	24	19.00	1.0	1.0	0.452	33010	62.55	98.88	4200	5500
	85	26.00	26	20.00	1.5	1.5	0.597	33110	77.85	116.16	4000	5300
	90	21.75	20	17.00	1.5	1.5	0.558	30210	69.30	89.28	3800	5000
	90	24.75	23	19.00	1.5	1.5	0.644	32210	78.75	104.64	3800	5000
	90	32.00	32	24.50	1.5	1.5	0.867	33210	103.50	151.68	3800	5000
	110	29.25	27	23.00	2.5	2.0	1.280	30310	119.70	145.92	3400	4600
	110	42.25	40	33.00	2.5	2.0	1.880	32310	165.60	222.72	3400	4600
	110	29.25	27	19	2.5	2.0	1.260	31310	111.00	129.00	2700	3800
55	90	23.00	23	17.50	1.5	1.5	0.568	32011X	72.45	113.28	3800	5100
	90	27.00	27	21.00	1.5	1.5	0.657	33011	82.35	132.48	3800	5100
	95	30.00	30	23.00	1.5	1.5	0.877	33111	99.90	148.80	3700	4900
	100	22.75	21	18.00	2.0	1.5	0.736	30211	83.70	106.56	3400	4600
	100	26.75	25	21.00	2.0	1.5	0.860	32211	97.20	128.64	3400	4600
	100	35.00	35	27.00	2.0	1.5	1.180	33211	124.20	180.48	3400	4600
	120	31.50	29	25.00	2.5	2.0	1.630	30311	139.50	171.84	3100	4200
	120	45.50	43	35.00	2.5	2.0	2.390	32311	193.50	264.00	3100	4200
	120	31.50	29	21	2.5	2.0	1.580	31311	128.00	150.00	2300	3500



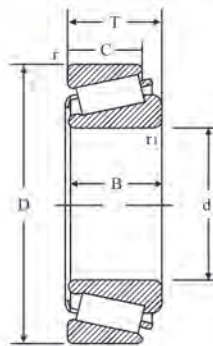
TAPERED ROLLER BEARINGS(METRIC SERIES)



	Principal dimensions(mm)						Weight Kg	Bearing Number	Basic Load Rating(kN)		Limiting Speed(rpm)	
	D	T	B	C	r _{min}	r _{max}			Dynamic Cr	Static Cor	Grease	Oil
60	95	23.00	23	17.50	1.5	1.5	0.608	32012X	73.80	118.08	3500	4600
	95	27.00	27	21.00	1.5	1.5	0.713	33012	84.15	139.20	3500	4600
	100	30.00	30	23.00	1.5	1.5	0.910	33112	101.70	157.44	3400	4500
	110	23.75	22	19.00	2.0	1.5	0.930	30212	94.50	120.00	3200	4300
	110	29.75	28	24.00	2.0	1.5	1.180	32212	117.00	157.44	3200	4300
	110	38.00	38	29.00	2.0	1.5	1.560	33212	150.30	224.64	3200	4300
	130	33.50	31	26.00	3.0	2.5	2.030	30312	162.00	201.60	2900	3800
	130	48.50	46	37.00	3.0	2.5	2.960	32312	219.60	302.40	2900	3800
65	130	33.50	31	22.00	3.0	2.5	1.980	31312	148.00	174.00	2100	3300
	100	23.00	23	17.50	1.5	1.5	0.646	32013	74.70	122.88	3200	4400
	100	27.00	27	21.00	1.5	1.5	0.760	33013	87.75	149.76	3200	4400
	110	34.00	34	26.50	1.5	1.5	1.320	33113	129.60	202.56	3100	4200
	120	24.50	23	20.00	2.0	1.5	1.180	30213	110.70	142.08	2900	4000
	120	32.75	31	27.00	2.0	1.5	1.550	32213	143.10	197.76	2900	4000
	120	41.00	41	32.00	2.0	1.5	2.040	33213	175.50	254.40	2900	4000
	140	36.00	33	28.00	3.0	2.5	2.510	30313	182.70	228.48	2700	3500
70	140	51.00	48	39.00	3.0	2.5	3.600	32313	245.70	240.00	2700	3500
	140	36.00	33	23.00	3.0	2.5	2.430	31313	170.00	202.00	1900	2900
	110	25.00	25	19.00	1.5	1.5	0.869	32014	94.50	153.60	3000	4000
	110	31.00	31	25.50	1.5	1.5	1.110	33014	114.30	195.84	3000	4000
	125	26.25	24	21.00	2.0	1.5	1.300	30214	117.90	155.52	2800	3700
	125	33.25	31	27.00	2.0	1.5	1.660	32214	149.40	211.20	2800	3700
	125	41.00	41	32.00	2.0	1.5	2.150	33214	180.90	270.72	2800	3700
	150	38.00	35	30.00	3.0	2.5	3.030	30314	207.00	261.12	2500	3300
75	150	54.00	51	42.00	3.0	2.5	4.350	32314	279.00	388.80	2500	3300
	150	38.00	35	25.00	3.0	2.5	2.940	31314	189.00	226.00	1700	2700
	115	25.00	25	19.00	1.5	1.5	0.925	32015	95.40	160.32	2900	3800
	115	31.00	31	25.50	1.5	1.5	1.180	33015	116.10	203.52	2900	3800
	130	27.25	25	22.00	2.0	1.5	1.430	30215	125.10	168.00	2700	3400
	130	33.25	31	27.00	2.0	1.5	1.720	32215	151.20	215.04	2700	3400
	130	41.00	41	31.00	2.0	1.5	2.250	33215	187.20	286.08	2700	3400
	160	40.00	37	31.00	3.0	2.5	3.630	30315	229.50	292.80	2300	3000
160	58.00	55	45.00	3.0	2.5	5.310	32315	319.50	451.20	2300	3000	



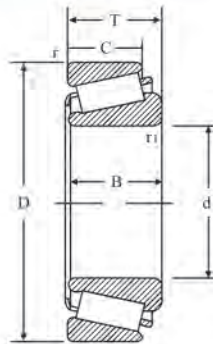
TAPERED ROLLER BEARINGS (METRIC SERIES)



Principal dimensions(mm)							Weight Kg	Bearing Number	Basic Load Rating(kN)		Limiting Speed(rpm)	
d	D	T	B	C	r _{min}	r _{max}			Dynamic Cr	Static Cor	Grease	Oil
80	125	29.00	29	22.00	1.5	1.5	1.32	32016	125.10	207.36	2700	3500
	125	36.00	36	39.50	1.5	1.5	1.66	33016	155.70	272.64	2700	3500
	140	28.25	26	22.00	2.5	2.0	1.69	30216	144.00	192.00	2400	3200
	140	35.35	33	28.00	2.5	2.0	2.13	32216	179.10	254.40	2400	3200
	140	46.00	46	35.00	2.5	2.0	2.93	33216	225.00	350.40	2400	3200
	170	42.50	39	33.00	3.0	2.5	4.27	30316	261.90	336.00	2200	2800
85	170	61.50	58	48.00	3.0	2.5	6.35	32316	355.50	504.00	2200	2800
	130	29.00	29	22.00	1.5	1.5	1.38	32017	127.80	215.04	2500	3300
	130	36.00	36	29.50	1.5	1.5	1.75	33017	158.40	188.16	2500	3300
	150	30.50	28	24.00	2.5	2.0	2.12	30217	164.70	222.72	2300	3000
	150	38.50	36	30.00	2.5	2.0	2.64	32217	201.60	288.00	2300	3000
	150	49.00	49	37.00	2.5	2.0	3.57	33217	255.60	403.20	2300	3000
90	180	44.50	41	34.00	4.0	3.0	5.08	30317	274.50	350.40	2000	2700
	180	63.50	60	49.00	4.0	3.0	7.31	32317	364.50	504.00	2000	2700
	140	32.00	32	24.00	2.0	1.5	1.78	32018	151.20	259.20	2400	3100
	140	39.00	39	32.50	2.0	1.5	2.21	33018	193.50	345.60	2400	3100
	160	32.50	30	26.00	2.5	2.0	2.6	30218	187.20	256.32	2100	2800
	160	42.50	40	34.00	2.5	2.0	3.41	32218	235.80	345.60	2100	2800
95	190	46.50	43	36.00	4.0	3.0	5.67	30318	301.50	388.80	2000	2500
	190	67.50	64	53.00	4.0	3.0	8.30	32318	405.00	571.20	2000	2500
	145	32.00	32	24.00	2.0	1.5	1.88	32019	153.90	268.80	2200	2900
	145	39.00	39	32.50	2.0	1.5	2.30	33019	197.10	360.00	2200	2900
	170	34.50	32	27.00	3.0	2.5	3.13	30219	203.40	278.40	2000	2700
	170	45.50	43	37.00	3.0	2.5	4.22	32219	269.10	398.40	2000	2700
100	200	49.50	45	38.00	4.0	3.0	6.55	30319	328.50	427.20	2000	2400
	200	71.50	67	55.00	4.0	3.0	10.40	32319	522.00	707.00	1400	2100
	150	32.00	32	24.00	2.0	1.5	1.95	32020	153.00	269.76	2100	2900
	150	39.00	39	32.50	2.0	1.5	2.38	33020	201.60	374.40	2100	2900
	180	37.00	34	29.00	3.0	2.5	3.78	30220	232.20	321.60	1900	2600
	180	49.00	46	39.00	3.0	2.5	5.05	32220	297.00	446.40	1900	2600
100	215	51.50	47	39.00	4.0	3.0	7.94	30320	369.00	480.00	1700	2300
	215	77.50	73	60.00	4.0	3.0	12.70	32320	513.00	739.20	1700	2300



TAPERED ROLLER BEARINGS(METRIC SERIES)



Principal dimensions(mm)							Weight Kg	Bearing Number	Basic Load Rating(kN)		Limiting Speed(rpm)	
d	D	T	B	C	r _{1min}	r _{2min}			Dynamic Cr	Static Cor	Grease	Oil
105	160	35.00	35	26.00	2.0	2.5	2.42	32021	201.00	335.00	2100	2800
	160	43.00	43	34.00	2.0	2.5	3.00	33021	245.00	420.00	2100	2800
	190	39.00	36	30.00	2.5	3.0	4.39	30221	287.00	380.00	1900	2500
	190	53.00	50	43.00	2.5	3.0	6.25	32221	380.00	540.00	1900	2500
	225	53.50	49	41.00	3.0	3.0	8.93	30321	365.00	420.00	1700	2300
	225	81.50	77	63.00	3.0	4.0	14.50	32321	610.00	825.00	1700	2300
110	170	38.00	38	29.00	2.0	2.5	3.07	32022	236.00	390.00	2000	2700
	170	47.00	47	37.00	2.0	2.5	3.80	33022	288.00	500.00	2000	2700
	200	41.00	38	32.00	2.5	3.0	5.18	30222	288.00	500.00	2000	2700
	200	56.00	53	46.00	2.5	3.0	7.43	32222	420.00	605.00	1800	2400
	240	54.50	50	42.00	3.0	3.0	10.50	30322	400.00	465.00	1600	2200
	240	84.50	80	65.00	3.0	3.0	16.90	32322	620.00	830.00	1600	2200
120	180	38.00	38	29.00	2.0	2.5	3.25	32024	245.00	420.00	1800	2500
	215	43.50	40	34.00	2.5	3.0	6.23	30224	345.00	470.00	1700	2200
	215	61.50	58	50.00	2.5	3.0	9.08	32224	460.00	680.00	1700	2200
	260	59.50	55	46.00	3.0	3.0	13.20	30324	465.00	550.00	1500	2000
	260	90.05	86	69.00	3.0	4.0	22.40	32324	815.00	1130.00	1500	2000
	130	200	45.00	45	34.00	2.0	2.5	4.96	32026	320.00	545.00	1700
230		43.75	40	34.00	3.0	4.0	7.25	30226	375.00	505.00	1500	2000
230		67.75	64	54.00	3.0	4.0	11.20	32226	530.00	815.00	1500	2000
280		63.75	58	49.00	4.0	4.0	16.70	30326	525.00	625.00	1400	1800
140	210	45.00	45	34.00	2.0	2.5	5.28	32028	330.00	580.00	1600	2100
	250	45.75	42	36.00	3.0	3.0	8.22	30228	375.00	485.00	1400	1900
	250	71.75	68	58.00	4.0	4.0	14.10	32228	610.00	920.00	1400	1900
	300	67.75	62	53.00	2.5	4.0	20.40	30328	640.00	780.00	1300	1700
150	225	48.00	48	36.00	3.0	3.0	6.37	32030X	370.00	655.00	1400	1900
	270	49.00	45	38.00	3.0	4.0	11.20	30230	450.00	605.00	1300	1700
	270	77.00	73	60.00	4.0	4.0	18.20	32230	700.00	1070.00	1300	1700
	320	72.00	65	55.00	4.0	4.0	24.70	30330	680.00	1070.00	1200	1600

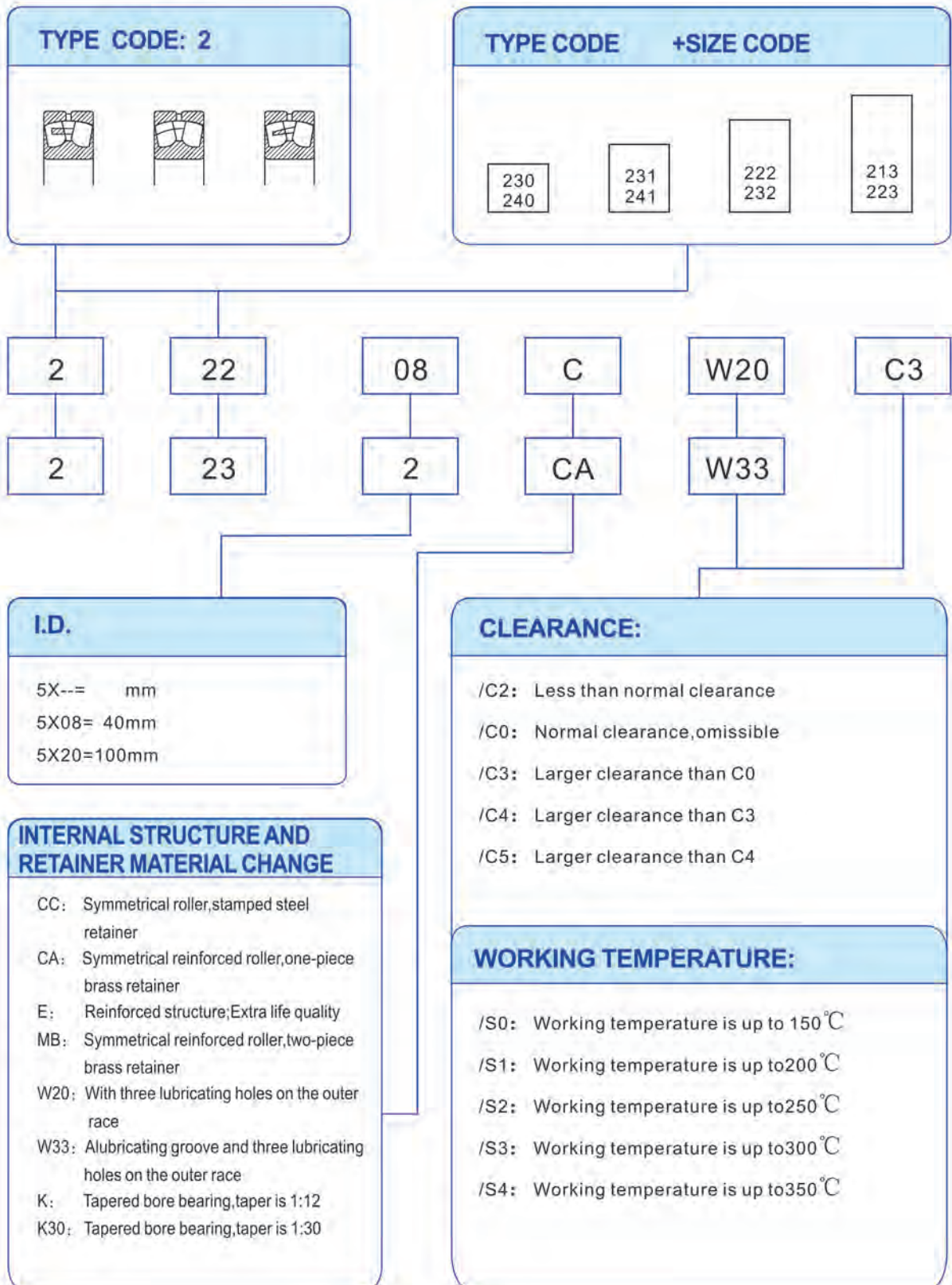


SPHERICAL ROLLER BEARINGS



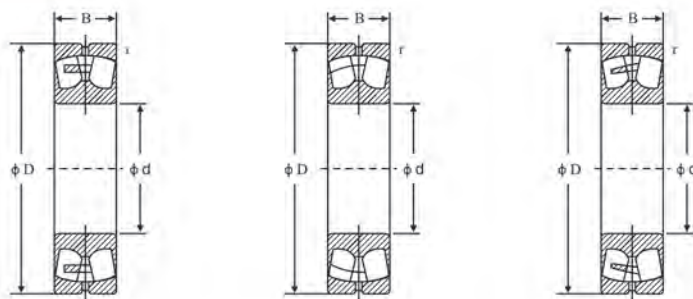


SPHERICAL ROLLER BEARINGS





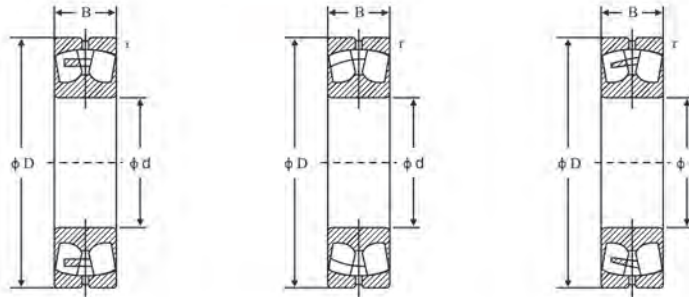
SPHERICAL ROLLER BEARINGS



Principal dimensions(mm)				Weight Kg	Bearing Number		Basic Load Rating(kN)		Limiting Speed(rpm)	
d	D	B	r _{min}		Cylindrical Bore	Tapered Bore	Dynamic Cr	Static Cor	Grease	Oil
25	52	18	1.0	0.17	22205 W33	22205K/ W33	39	36	8000	10000
	62	17	1.1	0.28	21305 W33	-	41	41	8500	12000
30	62	20	1.0	0.29	22206 W33	22206K/ W33	64	60	10000	14000
	72	19	1.1	0.41	21306 W33	21306K/ W33	55	61	7500	10000
35	72	23	1.1	0.46	22207 W33	22207 K/W33	88	85	9000	12000
	80	21	1.5	0.55	21307 W33	21307K/ W33	65	72	6700	9500
40	80	23	1.1	0.53	22208 W33	22208K/ W33	96	90	8000	11000
	90	23	1.5	0.75	21308 W33	21308 K/W33	104	108	7000	9500
45	90	33	1.5	1.05	22308 W33	22308 K/W33	150	140	6000	8000
	85	23	1.1	0.59	22209 W33	22209 K/W33	102	98	7500	10000
	100	25	1.5	0.99	21309 W33	21309 K/W33	125	127	6300	8500
50	100	36	1.5	1.40	22309 W33	22309 K/W33	183	183	5300	7000
	90	23	1.1	0.63	22210 W33	22210 K/W33	104	108	7000	9500
55	110	27	2.0	1.35	21310 W33	21310 K/W33	156	166	5600	7500
	110	40	2.0	1.90	22310 W33	22310 K/W33	220	224	4800	6300
	100	25	1.5	0.84	22211 W33	22211 K/W33	125	127	6300	8500
60	120	29	2.0	1.70	21311 W33	21311 K/W33	158	166	5600	7500
	120	43	2.0	2.45	22311 W33	22311 K/W33	270	280	4300	5600
65	110	28	1.5	1.15	22212 W33	22212 K/W33	156	166	5600	7500
	130	31	2.1	2.10	21312 W33	21312 K/W33	212	240	4800	6300
	130	46	2.1	3.10	22312 W33	22312 K/W33	310	335	4000	5300
70	100	35	1.1	0.95	24013 W33	24013 K30/W33	132	173	4300	6300
	120	31	1.5	1.55	22213 W33	22213 K/W33	193	218	5000	7000
	140	33	2.1	2.55	21313 W33	21313 K/W33	238	270	4300	6000
	140	48	2.1	3.75	22313 W33	22313 K/W33	340	360	3800	6000
75	125	31	1.5	1.55	22214 W33	22214 K/W33	208	228	5000	6700
	150	35	2.1	3.10	21314 W33	21314 K/W33	285	325	4000	5600
	150	51	2.1	4.55	22314 W33	22314 K/W33	400	430	3400	4500
80	115	40	1.1	1.65	24015 W33	24015 K30/W33	173	232	3800	5300
	130	31	1.5	1.70	22215 W33	22215 K/W33	212	240	4800	6300
	160	37	2.1	3.75	21315 W33	21315 K/W33	285	325	4000	5600
85	160	55	2.1	5.55	22315 W33	22315 K/W33	440	475	3200	4300
	140	33	2.0	2.10	22216 W33	22216 K/W33	238	270	4300	6000
	170	39	2.1	4.45	21316 W33	21316 K/W33	325	375	3800	5300
	170	58	2.1	6.60	22316 W33	22316 K/W33	490	540	3000	4000



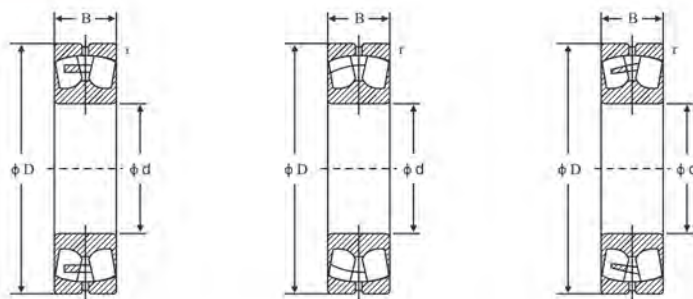
SPHERICAL ROLLER BEARINGS



Principal dimensions(mm)				Weight Kg	Bearing Number		Basic Load Rating(kN)		Limiting Speed(rpm)	
d	D	B	r _{min}		Cylindrical Bore	Tapered Bore	Dynamic Cr	Static Cor	Grease	Oil
85	150	36.0	2.0	2.66	22217 W33	22217 K/W33	285	325	4000	5600
	180	41.0	2.3	5.20	21317 W33	21317 K/W33	326	375	3800	5300
	180	60.0	3.0	7.65	22317 W33	22317 K/W33	550	620	2800	3800
90	160	40.0	2.0	3.40	22218 W33	22218 K/W33	325	375	3800	5300
	160	52.4	2.0	4.65	23218 W33	23218 K/W33	355	440	2800	3800
	190	43.0	3.0	6.10	21318 W33	21318 K/W33	380	450	3800	4800
95	190	64.0	3.0	9.05	22318 W33	22318 K/W33	610	695	2600	3600
	170	43.0	2.1	4.15	22219 W33	22219K/ W33	380	450	3600	4800
	200	45.0	3.0	7.05	21319 W33	21319 K/W33	425	490	3400	4500
100	200	67.0	3.0	10.50	22319 W33	22319 K/W33	670	765	2600	3400
	160	50.0	1.5	3.15	24020 W33	24020 K30/W33	285	415	2800	4000
	165	52.0	2.0	4.55	23120 W33	23120 K/W33	365	490	3000	4000
110	165	65.0	2.0	5.65	24120 W33	24120 K30/W33	455	640	2400	3200
	180	46.0	2.1	4.90	22220 W33	22220 K/W33	428	490	3400	4500
	180	60.3	2.1	6.85	23220 W33	23220 K/W33	475	600	2400	3400
	215	47.0	3.0	8.80	21320 W33	21320 K/W33	425	490	3400	4500
	215	73.0	3.0	13.50	22320 W33	22320 K/W33	815	950	2400	3000
	170	45.0	2.0	3.80	23022 W33	23022 K/W33	310	440	3400	4300
110	170	60.0	2.0	5.00	24022 W33	24022 K30/W33	415	620	2400	3600
	180	56.0	2.0	5.75	23122 W33	23122 K/W33	430	585	2800	3600
	180	69.0	2.0	7.10	24122 W33	24122 K30/W33	520	750	2200	3000
	200	53.0	2.1	7.00	22222 W33	22222 K/W33	560	640	3000	4000
	200	69.8	2.1	9.86	23222 W33	23222 K/W33	600	785	2200	3200
	240	80.0	3.0	18.40	22322 W33	22322 K/W33	950	1120	2000	2800
120	180	46.0	2.0	4.20	23024 W33	23024 K/W33	355	510	3200	4000
	180	60.0	2.0	5.45	24024 W33	24024 K/W33	430	670	2400	3400
	200	62.0	2.0	8.00	23124 W33	23124 K/W33	510	695	2600	3400
	200	80.0	2.0	10.30	24124 W33	24124 K/30W33	655	950	1900	2600
	215	58.0	2.1	8.70	22224 W33	22224 K/W33	630	765	2800	3800
	215	76.0	2.1	12.00	23224 W33	23224 K/W33	695	930	2000	2900
130	260	86.0	3.0	23.00	22324 W33	22324 K/W33	965	1120	2000	2600
	200	52.0	2.0	6.00	23026 W33	23026 K/W33	430	610	2800	3600
	200	69.0	2.0	8.05	24026 W33	24026 K/30W33	540	815	2000	3000
	210	64.0	2.0	8.80	23126 W33	23126 K/W33	560	780	2400	3200
	210	80.0	3.0	11.00	24126 W33	24126 K/30W33	580	1000	1800	2400
	230	64.0	3.0	11.00	22226 W33	22226 K/W33	735	930	2600	3600



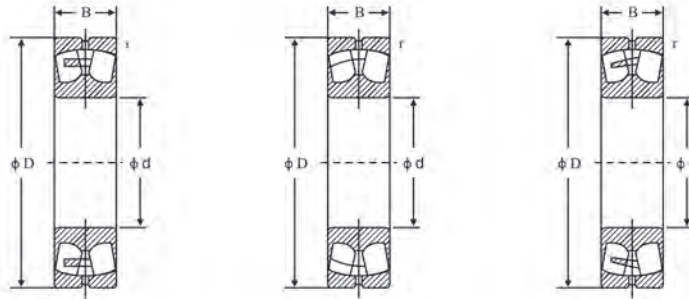
SPHERICAL ROLLER BEARINGS



Principal dimensions(mm)				Weight Kg	Bearing Number		Basic Load Rating(kN)		Limiting Speed(rpm)	
d	D	B	r _{min}		Cylindrical Bore	Tapered Bore	Dynamic Cr	Static Cor	Grease	
130	230	80	3.0	14.50	23226 W33	23226 K/W33	780	1060	1900	2600
	280	93	4.0	29.00	22326 W33	22326 K/W33	1120	1320	1800	2400
140	210	53	2.0	6.55	23028 W33	23028 K/W33	465	680	2600	3400
	210	69	2.0	8.55	24028 W33	24028 K30/W33	570	900	2000	2800
	225	68	2.1	10.50	23128 W33	23128 K/W33	630	900	2200	2800
	225	85	2.1	13.50	24128 W33	24128 K30/W33	765	1160	1700	2400
	250	68	3.0	14.00	22228 W33	22228 K/W33	710	900	2400	3200
	250	88	3.0	19.00	23228 W33	23228 K/W33	915	1250	1700	2400
150	300	102	4.0	36.50	22328 W33	22328 K/W33	1290	1560	1700	2200
	225	56	2.1	7.85	23030 W33	23030 K/W33	510	750	2400	3200
	225	75	2.1	10.50	24030 W33	24030 K30/W33	655	1040	2000	2600
	250	80	2.1	16.00	23130 W33	23130 K/W33	830	1200	1500	2600
	250	100	2.1	20.00	24130 W33	24130 K/W33	1020	1530	1500	2200
	270	73	3.0	18.00	22230 W33	22230 K/W33	850	1080	2200	3000
	270	96	3.0	24.50	23230 W33	23230 K/W33	1080	1450	1800	3200
	320	108	4.0	43.50	22330 W33	22330 K/W33	1460	1760	1800	2000
160	240	60	2.1	9.70	23032 W33	23032 K/W33	585	880	2400	3000
	240	80	2.1	13.00	24032 W33	24032 K30/W33	750	1200	1700	2400
	270	86	2.1	20.50	23132 W33	23132 K/W33	980	1370	1900	2400
	270	109	2.1	25.00	24132 W33	24132 K30/W33	1180	1760	1400	1900
	290	80	3.0	22.50	22232 W33	22232 K/W33	1000	1290	2000	2800
	290	104	3.0	31.00	23232 W33	23232 K/W33	1220	1660	1500	2200
	340	114	4.0	52.00	22332 W33	22332 K/W33	1600	1960	1500	1900
170	260	67	2.1	13.00	23034 W33	23034 K/W33	710	1060	2200	2800
	260	90	2.1	17.50	24034 W33	24034 K30/W33	900	1460	1600	2400
	280	88	2.1	22.00	23134 W33	23134 K/W33	1040	1500	1800	2400
	280	109	2.1	27.50	24134 W33	24134 K30/W33	1220	1860	1300	1900
	310	86	4.0	28.50	22234 W33	22234 K/W33	1120	1460	1900	2600
	310	110	4.0	37.50	23234 W33	23234 K/W33	1400	1930	1400	2000
	360	120	4.0	61.00	22334 W33	22334 K/W33	1760	2160	1400	1800
	180	250	52	2.0	7.90	23936 W33	23936 K/W33	431	830	2200
280		74	2.1	17.00	23036 W33	23036 K/W33	830	1250	2000	2600
280		100	2.1	23.00	24036 W33	24036 K30/W33	1060	1730	1500	2200
300		98	3.0	28.00	23136 W33	23136 K/W33	1200	1760	1700	2000
300		118	3.0	34.50	24136 W33	24136 K30/W33	1400	2160	1300	1700
320		86	4.0	29.50	22236 W33	22236 K/W33	1180	1560	1600	2600



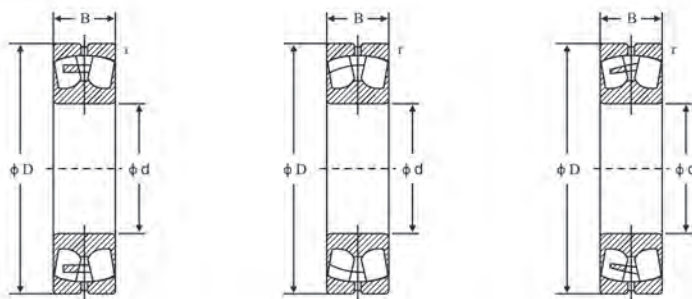
SPHERICAL ROLLER BEARINGS



Principal dimensions(mm)				Weight Kg	Bearing Number		Basic Load Rating(kN)		Limiting Speed(rpm)		
d	D	B	r _{min}		Cylindrical Bore	Tapered Bore	Dynamic Cr	Static Cor	Grease	Oil	
180	320	112	4.0	39.5	23236 W33	23236 K/W33	1500	2120	1300	1900	
	380	126	4.0	71.5	22336 W33	22336 K/W33	2000	2450	1300	1700	
190	260	52	2.0	8.30	23938 W33	23938 K/W33	414	800	2200	2600	
	290	75	2.1	18.0	23038 W33	23038 K/W33	865	1340	1900	2400	
	290	100	2.1	24.5	24038 W33	24038 K30/W33	1120	1800	1400	2000	
	320	104	3.0	35.0	23138 W33	23138 K/W33	1370	2080	1500	2000	
	320	128	3.0	43.0	24138 W33	24138 K30/W33	1500	2500	1200	1600	
	340	92	4.0	38.6	22238 W33	22238 K/W33	1270	1700	1700	2400	
	340	120	4.0	48.0	23228 W33	23228 K/W33	1660	2400	1300	1800	
200	400	132	5.0	82.5	22338 W33	22338 K/W33	2120	2650	1200	1800	
	280	60	2.1	11.5	23940 W33	23940 K/W33	646	1040	2000	2400	
	310	82	2.1	23.3	23040 W33	23040 K/W33	1000	1530	1800	2200	
	310	109	2.1	31.0	24040 W33	24040 K30/W33	1200	2120	1300	1900	
	340	112	3.0	43.0	23140 W33	23140 K/W33	1600	2360	1500	1900	
	340	140	3.0	53.6	24140 W33	24140 K30/W33	1800	2800	1100	1500	
	360	98	4.0	43.50	22240 W33	22240 K/W33	1460	1930	1600	2200	
	360	128	4.0	58.0	23240 W33	23240 K/W33	1860	2700	1200	1700	
	420	138	5.0	95.0	22340 W33	22340 K/W33	2320	2900	1200	1500	
	220	300	60	2.1	12.5	23944 W33	23944 K/W33	546	1060	1900	2200
340		90	3.0	30.5	23044 W33	23044 K/W33	1220	1860	1600	2000	
340		118	3.0	40.0	24044 W33	24044 K30/W33	1550	2600	1200	1700	
370		120	4.0	53.5	23144 W33	23144 K/W33	1800	2750	1300	1700	
370		150	4.0	57.0	24144 W33	24144 K30/W33	2120	3350	1000	1400	
400		108	4.0	60.5	22244 W33	22244 K/W33	1760	2360	1500	2000	
400		144	4.0	81.5	23244 W33	23244 K/W33	2360	3450	1100	1500	
460		145	5.0	120.0	22344 W33	22344 K/W33	2700	3450	1000	1400	
240		320	60	2.1	13.5	23948 W33	23948 K/W33	564	1160	1700	2000
		360	92	3.0	33.5	23048 W33	23048 K/W33	1290	2060	1500	1800
	360	118	3.0	43.0	24048 W33	24048 K30/W33	1600	2700	1100	1600	
	400	128	4.0	66.5	23148 W33	23148 K/W33	2080	3200	1200	1000	
	400	160	4.0	83.0	24148 W33	24148 K30/W33	2400	3800	900	1300	
	440	120	4.0	83.0	22248 W33	22248 K/W33	2200	3000	1300	1800	
	440	160	4.0	110.0	23248 W33	23248 K/W33	2900	4300	950	1300	
	500	155	5.0	155.0	22348 W33	22348 K/W33	3100	4000	950	1300	
	260	360	75	2.1	23.5	23952 W33	23952 K/W33	880	1800	1500	1900
		400	104	4.0	48.5	23052 W33	23052 K/W33	1600	2550	1300	1700



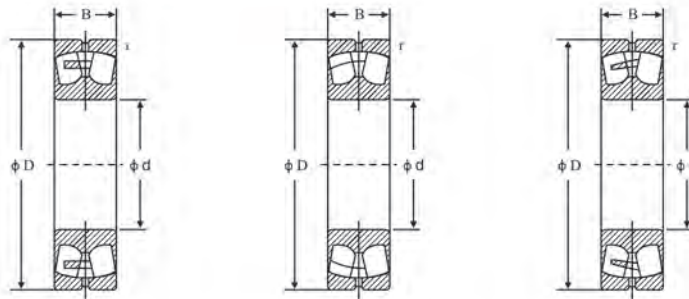
SPHERICAL ROLLER BEARINGS



Principal dimensions(mm)				Weight Kg	Bearing Number		Basic Load Rating(kN)		Limiting Speed(rpm)		
d	D	B	r _{min}		Cylindrical Bore	Tapered Bore	Dynamic Cr	Static Cor	Grease	Oil	
260	400	140	4.0	65.5	24052 W33	24052 K30/W33	2040	3450	1000	1400	
	440	144	4.0	90.5	23152 W33	23152 K/W33	2550	3600	1100	1400	
	440	180	4.0	110.0	24152 W33	24152 K30/W33	3000	4800	850	1200	
	480	130	5.0	110.0	22252 W33	22252 K/W33	2650	3550	1200	1600	
	480	174	5.0	140.0	23252 W33	23252 K/W33	3250	4750	850	1200	
	540	165	6.0	190.0	22352 W33	22352 K/W33	3550	4550	850	1100	
280	380	75	2.1	25.0	23956 W33	23956 K/W33	845	1760	1400	1700	
	420	106	4.0	52.5	23056 W33	23056 K/W33	1730	2850	1300	1600	
	420	140	4.0	69.5	24056 W33	24056 K30/W33	2160	3800	950	1400	
	460	146	5.0	97.0	23156 W33	23156 K/W33	2650	4250	1000	1300	
	460	180	5.0	120.0	24156 W33	24156 K30/W33	3100	5100	800	1100	
	500	130	5.0	115.0	22256 W33	22256 K/W33	2700	3750	1100	1500	
	500	176	5.0	150.0	23256 W33	23256 K/W33	3250	4900	800	1100	
	580	175	6.0	235.0	22356 W33	22356 K/W33	4000	5200	800	1100	
300	380	60	2.1	16.5	23860 W33	23860 K/W33	656	1600	1400	1700	
	420	90	3.0	39.5	23960 W33	23960 K/W33	1200	2500	1300	1600	
	460	118	4.0	71.6	23060 W33	23060 K/W33	2120	3460	1200	1500	
	460	160	4.0	87.0	24060 W33	24060 K30/W33	2700	4750	850	1200	
	500	160	5.0	125.0	23160 W33	23160 K/W33	3200	5100	950	1200	
	500	200	5.0	160.0	24160 W33	24160 K30/W33	3750	6300	700	1000	
	540	140	5.0	145.0	22260 W33	22260 K/W33	3150	4250	1000	1400	
	540	192	5.0	190.0	23260 W33	23260 K/W33	3900	5850	750	1000	
	320	440	90	3.0	42.0	23964 W33	23964 K/W33	1430	2700	1400	1500
		480	121	4.0	78.0	23064 W33	23064 K/W33	2240	3800	1100	1400
480		160	4.0	100.0	24064 W33	24064 K30/W33	2850	5100	800	1200	
540		176	5.0	165.0	23164 W33	23164 K/W33	3750	6000	850	1100	
540		218	5.0	210.0	24164 W33	24164 K/W33	4250	7100	670	900	
580		150	5.0	175.0	22261 W33	22261 K/W33	3600	4900	950	1300	
580		208	5.0	240.0	23264 W33	23264 K/W33	4400	6700	700	950	
340		460	90	3.0	45.5	23968 W33	23968 K/W33	1460	2800	1300	1400
	520	133	5.0	105.0	23068 W33	23068 K/W33	2700	4550	1000	1300	
	520	180	5.0	140.0	24068 W33	24068 K30/W33	3450	6200	750	1100	
	580	190	5.0	210.0	23168 W33	23168 K/W33	4250	6800	800	1000	
	580	243	5.0	280.0	24168 W33	24168 K/W33	5300	8650	600	850	
	620	224	6.0	295.0	23268 W33	23268 K/W33	5100	7800	560	800	
360	480	90	3.0	46.0	23972 W33	23972 K/W33	1400	2750	1200	1300	



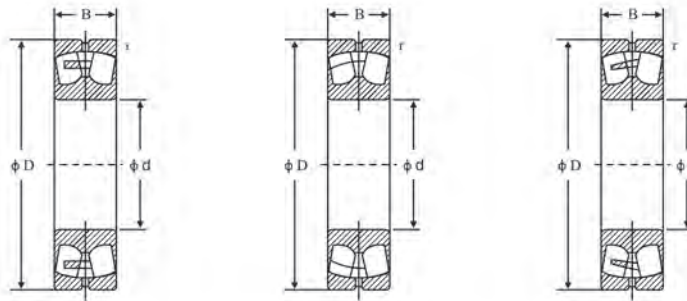
SPHERICAL ROLLER BEARINGS



Principal dimensions(mm)				Weight Kg	Bearing Number		Basic Load Rating(kN)		Limiting Speed(rpm)	
d	D	B	r _{min}		Cylindrical Bore	Tapered Bore	Dynamic Cr	Static Cor	Grease	Oil
360	540	134	5.0	110	23072 W33	23072 K/W33	2750	4800	950	1200
	540	180	5.0	145	24072 W33	24072 K30/W33	3550	6550	700	1000
	600	192	5.0	220	23172 W33	23172 K/W33	4300	6950	750	1000
	600	243	5.0	280	24172 W33	24172 K30/W33	5600	9300	560	800
	650	170	6.0	255	22272 W33	22272 K/W33	4300	6200	630	850
	650	232	6.0	335	23272 W33	23272 K/W33	5400	8300	530	750
380	520	106	4.0	69	23976 W33	23976 K/W33	1960	3800	1100	1200
	560	135	5.0	115	23076 W33	23076 K/W33	2900	5000	900	1200
	560	180	5.0	150	24076 W33	24076 K30/W33	3600	6800	670	850
	620	194	5.0	230	23176 W33	23176 K/W33	4400	7100	560	1000
	620	243	5.0	300	24176 W33	24176 K30/W33	5700	9800	460	850
	680	240	6.0	375	23276 W33	23276 K/W33	5850	9150	500	750
400	540	106	4.0	71	23980 W33	23980 K/W33	2000	3900	1100	1200
	600	148	5.0	150	23080 W33	23080 K/W33	3250	5700	850	1100
	600	200	5.0	205	24080 W33	24080 K30/W33	4300	8000	630	900
	650	200	6.0	265	23180 W33	23180 K/W33	4650	7850	530	950
	650	250	6.0	340	24180 W33	24180 K30/W33	2600	10600	430	800
	720	256	6.0	450	23280 W33	23280 K/W33	6550	10400	430	670
420	820	243	7.5	650	22380 W33	22380K/W33	7500	10400	430	750
	560	106	4.0	74	23984 W33	23984K/W33	2040	4150	1000	1100
	620	150	5.0	155	23084 W33	23084K/W33	3400	6000	600	1100
	620	200	5.0	210	24084 W33	24084K30/W33	4400	9300	530	900
	700	224	6.0	350	23184 W33	23184K/W33	5600	9300	480	900
	700	280	6.0	445	24184 W33	24184K30/W33	7350	12600	400	700
440	760	272	7.5	535	23284 W33	23284K/W33	7350	11600	450	630
	600	118	4.0	99	23988 W33	23988K/W33	2450	4900	950	1000
	650	157	6.0	130	23088 W33	23088K/W33	3850	6550	580	1000
	650	212	6.0	245	24088 W33	24088K30/W33	4800	9150	500	850
	720	226	5.0	360	23188 W33	23188K/W33	6000	10000	450	850
	720	280	6.0	460	24188 W33	24188K30/W33	7500	13200	400	700
460	790	280	7.5	590	23288 W33	23288K/W33	7800	12500	430	600
	580	118	3.0	75	24892 W33	24892K30/W33	1790	4900	560	1100
	620	118	4.0	105	23992 W33	23992K/W33	2500	5000	600	1000
	680	163	6.0	205	23092 W33	23092K/W33	3900	6950	560	950
	680	218	6.0	275	24092 W33	24092K30/W33	5200	10000	480	800
	760	240	7.5	440	23192 W33	23192K/W33	6400	10000	430	800



SPHERICAL ROLLER BEARINGS



Principal dimensions(mm)				Weight Kg	Bearing Number		Basic Load Rating(kN)		Limiting Speed(rpm)	
d	D	B	r _{min}		Cylindrical Bore	Tapered Bore	Dynamic Cr	Static Cor	Grease	Oil
460	760	300	7.5	560.0	24192 W33	24192 K30/W33	8300	14600	360	670
	830	296	7.5	895.0	23292 W33	23292 K/W33	8500	13700	400	560
480	600	90	3.0	61.0	23896 W33	23896 K/W33	1440	3750	530	1100
	650	128	5.0	125.0	23996 W33	23896 K/W33	2900	5700	560	1000
	700	165	6.0	215.0	23096 W33	23096 K/W33	3900	6800	530	950
	700	218	6.0	265.0	24096 W33	24096 K30/W33	5300	10400	450	750
	790	248	7.5	485.0	23196 W33	23196 K/W33	6950	12000	400	750
	790	308	7.5	605.0	24196 W33	24196 K30/W33	8000	15800	340	630
500	870	310	7.5	800.0	23296 W33	23296 K/W33	8300	15000	380	530
	620	90	3.0	62.0	238/500 W33	238/500 KW33	14800	4000	550	1000
	670	128	5.0	130.0	239/500 W33	239/500 KW33	2900	6000	530	950
	720	167	6.0	225.0	230/500 W33	230/500 K30/W33	4150	7800	500	900
	720	218	6.0	295.0	240/500 W33	240/500 W33	5500	11000	430	700
	830	264	7.5	580.0	231/500 W33	231/500 K/W33	7850	12900	380	700
	830	325	7.5	700.0	241/500 W33	241/500 K30/W33	9800	17000	320	600
	920	336	7.5	985.0	232/500 W33	232/500 KW33	10500	17300	360	500

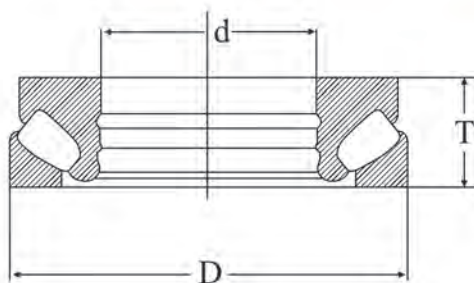


SPHERICAL ROLLER THRUST BEARINGS





SPHERICAL ROLLER THRUST BEARINGS



Principal dimensions(mm)				Basic Load Rating(kN)		Limiting Speed (rpm) Oil	Bearing Number	Weight Kg
d	D	T	f_{min}	Dynamic Cr	Static Cor			
60	130	42	1.5	283	805	2600	29412	2.78
65	140	45	2.0	330	945	2400	29413	3.44
70	150	48	2.0	365	1040	2200	29414	4.19
75	160	51	2.0	415	1190	2100	29415	5.07
80	170	54	2.1	460	1380	1900	29416	6.09
85	150	39	1.5	265	820	2300	29317	2.94
	180	58	2.1	490	1480	1800	29417	7.20
90	155	39	1.5	285	915	2300	29318	3.08
	190	60	2.1	545	1680	1700	29418	8.38
100	170	42	1.5	345	1160	2100	29320	3.94
	210	67	3.0	685	2130	1500	29420	11.50
110	190	48	2.0	445	1500	1800	29322	5.78
	230	73	3.0	845	2620	1400	29422	15.00
120	210	54	2.1	535	1770	1600	29324	7.92
	250	78	4.0	975	3050	1300	29424	18.60
130	225	58	2.1	615	2100	1500	29326	9.76
	270	85	4.0	1080	3550	1200	29426	23.70
140	240	60	2.1	685	2360	1400	29328	11.40
	280	85	4.0	1110	3750	1200	29428	25.20
150	215	39	1.5	340	1340	1800	29230	4.56
	250	60	2.1	675	2390	1400	29330	12.00
160	300	90	4.0	1280	4350	1100	29430	30.50
	225	39	1.5	360	1460	1700	29232	4.88
170	270	67	3.0	820	2860	1300	29332	15.90
	320	95	5.0	1500	5150	1000	29432	37.00
170	240	42	1.5	425	1770	1600	29234	6.02
	280	67	3.0	855	3050	1200	29334	16.60
180	340	103	5.0	1660	5750	940	29434	15.00
	250	42	1.5	450	1920	1600	29236	6.27
180	300	73	3.0	995	3600	1100	29336	21.20
	360	109	5.0	1840	6200	890	29436	52.90
190	270	48	2.0	530	2230	1400	29238	8.80
	320	78	4.0	1150	4250	1100	29338	26.00
200	380	115	5.0	2010	6800	840	29438	62.00
	280	48	2.0	535	2300	1400	29240	9.14
200	340	85	4.0	1230	4600	980	29340	31.90
	400	122	5.0	2230	7650	790	29440	73.30



CYLINDRICAL ROLLER BEARINGS





CYLINDRICAL ROLLER BEARINGS

TYPE CODE:

N NJ NU NUP

N

23

NU

2

NJ

3

SIZE DESIGNATION:

0: N 1000
 2: N200
 2: N2200
 3: N300
 3: N2300
 4: N400

TOLERANCE CLASS

/P0: Equal tolerance class ABEC1
 /P6: Equal tolerance class ABEC3
 /P5: Equal tolerance class ABEC5
 /P4: Equal tolerance class ABEC7
 /P2: Equal tolerance class ABEC9

WORKING TEMPERATURE:

/S0: Working temperature is up to 150°C
 /S1: Working temperature is up to 200°C
 /S2: Working temperature is up to 250°C
 /S3: Working temperature is up to 300°C
 /S40: Working temperature is up to 350°C

I.D.

5X--= mm
 5X12=60mm
 5X20=100mm
 5X36=180mm

12

M

30

L1

C4

19

E

DESIGNS, TYPES AND FEATURES

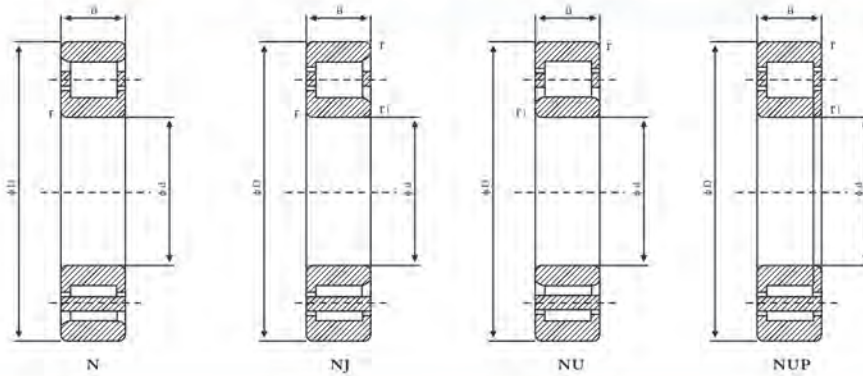
E: Reinforced structure
 M: Brass solid retainer
 L1: Aluminum alloy retainer
 Q1: Al-Fe bronze retainer
 N: With snap ring groove on outer ring
 V: Full capacity rollers, without cage
 P: Glass-fiber reinforced nylon cage, roller guidance
 X: Dimensions according to ISO standard

CLEARANCE:

/C2: Less than normal clearance
 /C0: Normal clearance, omissible
 /C3: Larger clearance than C0
 /C4: Larger clearance than C3
 /C5: Larger clearance than C4



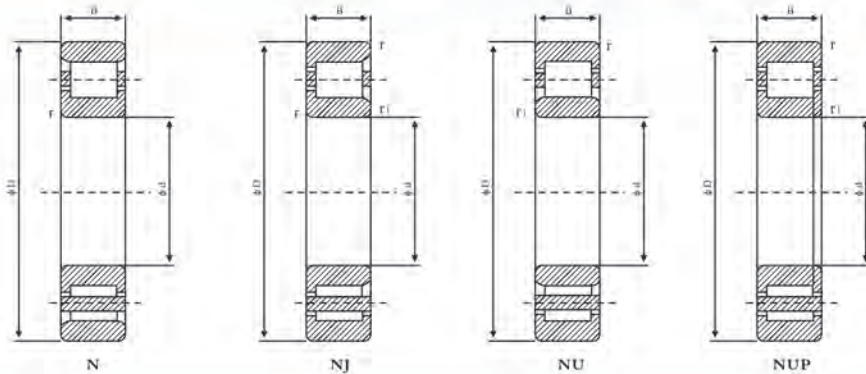
CYLINDRICAL ROLLER BEARINGS



Principal dimensions(mm)					Weight Kg	Bearing Number	Basic Load Rating(kN)		Limiting Speed(rpm)	
d	D	B	r _{min}	r _{max}			Dynamic Cr	Static Cor	Grease	Oil
15	35	11	0.6	0.3	0.050	N202	12.7	10.4	20000	22000
	35	11	0.6	0.3	0.050	NJ202	12.7	10.4	20000	22000
	35	11	0.6	0.3	0.050	NU202	12.7	10.4	20000	22000
17	40	12	0.6	0.3	0.060	N203	17.6	14.6	10000	18000
	40	12	0.6	0.3	0.060	NJ203	14.5	12.8	18000	18000
20	47	14	1.0	0.6	0.109	N204	16.6	13.9	17000	20000
	47	14	1.0	0.6	0.111	NJ204	16.6	13.9	17000	20000
	47	14	1.0	0.6	0.111	NU204EM	16.6	13.9	17000	20000
	52	15	1.1	0.6	0.149	N304	23.1	19.2	14000	17000
25	52	15	1.1	0.6	0.153	NJ304	23.1	19.2	14000	17000
	52	15	1.1	0.6	0.153	NU304	23.1	19.2	14000	17000
	52	15	1.0	0.6	0.160	N205EM	27.5	26.8	11000	14000
	52	15	1.0	0.6	0.137	NJ205	18.8	17.0	14000	17000
	52	18	1.1	0.6	0.170	NJ2205V	35.3	29.4	12000	25000
	52	15	1.0	0.6	0.160	NU205EM	27.5	26.8	11000	14000
30	62	17	1.1	1.1	0.235	N305	31.5	27.7	12000	14000
	62	17	1.1	1.1	0.241	NJ305	31.5	27.7	12000	14000
	62	17	1.1	1.1	0.241	NU305	31.5	27.7	12000	14000
	62	24	1.1	1.1	0.370	NJ2305V	67.0	72.7	7200	10000
	62	16	1.0	0.6	0.240	N206EM	24.9	23.3	8500	11000
	62	16	1.0	0.6	0.207	NJ206	24.9	23.3	12000	14000
	62	16	1.0	0.6	0.240	NU206EM	36.0	35.6	8500	11000
35	72	19	1.1	1.1	0.350	N306	38.5	35.0	10000	12000
	72	19	1.1	1.1	0.358	NJ306	38.5	35.0	10000	12000
	72	19	1.1	1.1	0.358	NU306	38.5	35.0	10000	12000
	72	17	1.1	0.6	0.289	N207	35.5	34.0	11000	12000
	72	17	1.1	0.6	0.295	NJ207	35.5	34.0	11000	12000
	72	17	1.1	0.6	0.360	NU207EM	46.5	48.0	7500	9500
	80	21	1.5	1.1	0.451	N307	49.5	47.0	9000	11000
40	80	21	1.5	1.1	0.461	NJ307	49.5	47.0	9000	11000
	80	21	1.5	1.1	0.540	NU307EM	62.0	63.3	7000	9000
	80	21	1.5	1.5	0.536	NUP307V	77.2	78.6	10000	23000
	80	18	1.1	1.1	0.440	N208EM	51.5	53.0	7000	9000
	80	18	1.1	1.1	0.378	NJ208	43.5	43.0	9400	11000
	80	18	1.1	1.1	0.378	NU208EM	51.5	53.0	7000	9000



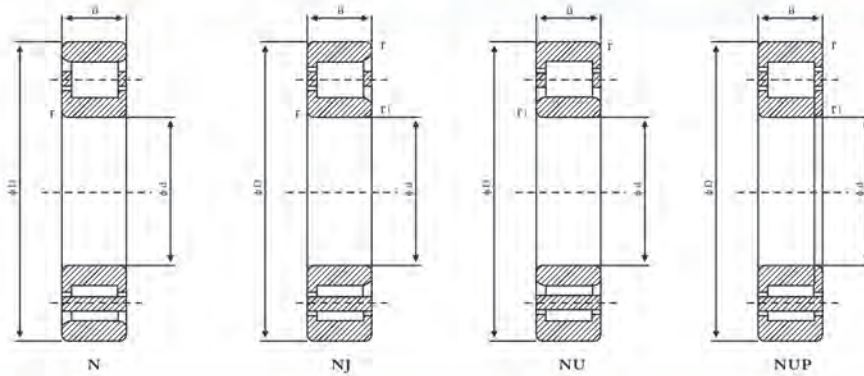
CYLINDRICAL ROLLER BEARINGS



Principal dimensions(mm)					Weight Kg	Bearing Number	Basic Load Rating(kN)		Limiting Speed(rpm)	
d	D	B	r _{min}	r _{min}			Dynamic Cr	Static Cor	Grease	Oil
40	90	23	1.5	1.5	0.643	U308	58.5	57.0	6300	8000
	90	23	1.5	1.5	0.658	NJ308	58.5	57.0	8000	9400
	90	23	1.5	1.5	0.710	NU308EN	76.8	77.8	8000	9400
45	85	19	1.1	1.1	0.530	N209EM	58.5	63.8	6300	8000
	85	19	1.1	1.1	0.432	NJ209	46.0	47.0	8400	9900
	85	19	1.1	1.1	0.530	NU209EM	58.5	63.8	6300	8000
100	25	1.5	1.5	0.859	N309	79.0	77.5	7200	8400	
	25	1.5	1.5	0.877	NJ309	79.0	77.5	7200	8400	
	25	1.5	1.5	0.98	NU309EM	93.0	98.0	5600	7000	
	25	2.5	2.5	1.019	NUP309NV	96.0	69.7	9000	14000	
	25	1.5	1.5	1.000	NJ309V	117.0	125.0	4600	6000	
	90	20	1.1	1.1	0.580	N210EM	61.2	69.2	6000	7500
50	90	20	1.1	1.1	0.470	NJ210	50.5	54.5	7600	9000
	90	20	1.1	1.1	0.580	NU210EM	61.2	69.2	6000	7500
	110	27	2.0	2.0	1.110	N310	87.0	86.0	6500	7700
110	27	2.0	2.0	1.140	NJ310	87.0	86.0	6500	7700	
	27	2.0	2.0	1.310	NU310EN	105.0	112.0	5300	6700	
	27	2.0	2.0	1.280	NUP310NV	114.3	84.8	8500	14000	
	100	21	1.5	1.5	0.626	N211EM	80.2	95.5	5300	6700
	100	21	1.5	1.5	0.626	NJ211	61.0	66.5	6900	8200
	100	21	1.5	1.5	0.626	NU211EM	80.2	95.5	5300	6700
55	120	29	2.0	2.0	1.420	N311	111.0	111.0	5900	7000
	120	29	2.0	2.0	1.700	NU311EM	128.0	138.0	4800	6000
	120	29	3.0	3.0	1.670	NUP311NV	122.5	92.7	7500	11000
	110	22	1.5	1.5	0.950	N212EM	89.8	102	5000	6300
	110	22	1.5	1.5	0.802	NJ212	72.0	80.0	6400	7600
60	110	22	1.5	1.5	0.950	NU212EM	89.8	102	5000	6300
	130	31	2.1	2.1	1.760	N312	124.0	126.0	5500	6500
	130	31	2.1	2.1	2.070	NU312EM	142.0	155.0	4500	5600
65	120	23	1.5	1.5	1.150	N213EM	102.0	118.0	4500	5600
	120	23	1.5	1.5	1.000	NJ213	84.0	94.5	5900	7000
	120	23	1.5	1.5	1.000	NU213	84.0	94.5	5900	7000
	140	33	2.1	2.1	2.180	N313	135.0	139.0	5100	6000
	140	33	2.1	2.1	2.580	NU313EM	170.0	188.0	4000	5000
	120	23	1.5	1.5	1.174	NUP213NV	115.3	110.2	6300	8900



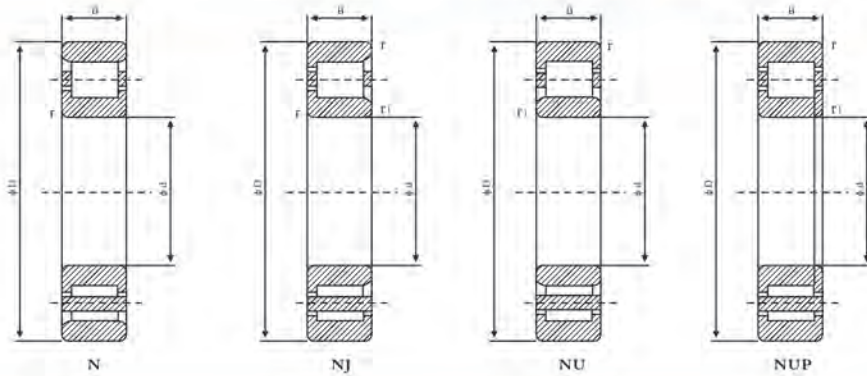
CYLINDRICAL ROLLER BEARINGS



Principal dimensions(mm)					Weight Kg	Bearing Number	Basic Load Rating(kN)		Limiting Speed(rpm)	
d	D	B	r _{min}	r _{max}			Dynamic Cr	Static Cor	Grease	Oil
70	140	33	2.1	2.1	2.47	NJ313EM	170.0	188.0	4000	5000
	125	24	1.5	1.5	1.34	N214EM	112.0	135.0	4300	5300
	125	24	1.5	1.5	1.10	NJ214	87.5	101.0	5500	6500
	125	24	1.5	1.5	1.10	NU214	87.5	101.0	5500	6500
75	150	35	2.1	2.1	2.65	N314	158.0	168.0	4700	5500
	150	35	2.1	2.1	3.04	NU314EM	195.0	220.0	3800	4800
	130	25	1.5	1.5	1.21	N215	101.0	118.0	5100	6000
	130	25	1.5	1.5	1.21	NJ215	101.0	118.0	5100	6000
	130	25	1.5	1.5	1.21	NU215	101.0	118.0	5100	6000
	160	35	2.1	2.1	3.59	N315	228.0	260.0	3600	4500
80	160	37	2.1	2.1	3.88	NU315EM	228.0	260.0	3600	4500
	140	26	2.0	2.0	1.47	N216	111.0	130.0	4800	5700
	140	26	2.0	2.0	1.47	NJ216	111.0	130.0	4800	5700
	140	26	2.0	2.0	1.47	NU216	111.0	130.0	4800	5700
85	170	39	2.1	2.1	3.77	N316	201.0	223.0	4100	4800
	170	39	2.1	2.1	3.86	NU316	201.0	223.0	4100	4800
	150	28	2.0	2.0	1.83	N217	126.0	149.0	4500	5300
	150	28	2.0	2.0	1.83	NJ217	126.0	149.0	4500	5300
	150	28	2.0	2.0	1.83	NU217	126.0	149.0	4500	5300
	180	41	3.0	3.0	4.44	N317	225.0	247.0	3900	4600
90	180	41	3.0	3.0	4.44	NU317	225.0	247.0	3900	4600
	160	30	2.0	2.0	2.25	N218	152.0	178.0	4300	5000
	160	30	2.0	2.0	2.25	NJ218	152.0	178.0	4300	5000
	160	30	2.0	2.0	2.25	NU218	152.0	178.0	4300	5000
95	190	43	3.0	3.0	5.18	N318	240.0	265.0	3700	4300
	190	43	3.0	3.0	5.18	NU318	240.0	265.0	3700	4300
	170	32	2.1	2.1	2.72	N219	166.0	195.0	4000	4700
	170	32	2.1	2.1	2.72	NJ219	166.0	195.0	4000	4700
	170	32	2.1	2.1	2.72	NU219	166.0	195.0	4000	4700
	200	45	3.0	3.0	5.99	N319	274.0	310.0	3400	4000
200	45	3.0	3.0	5.99	NU319	274.0	310.0	3400	4000	



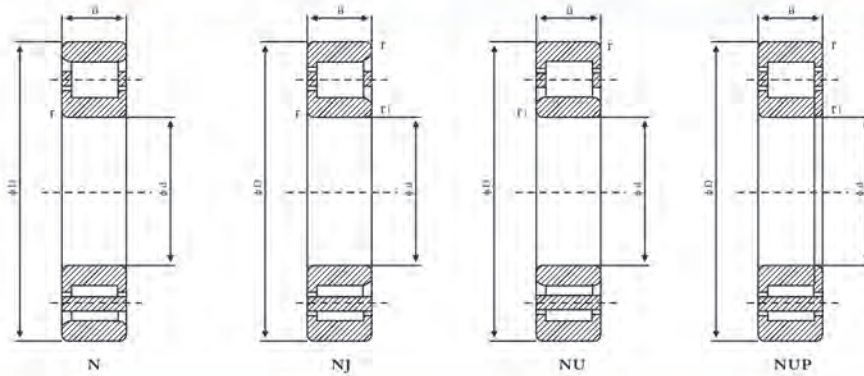
CYLINDRICAL ROLLER BEARINGS



Principal dimensions(mm)					Weight Kg	Bearing Number	Basic Load Rating(kN)		Limiting Speed(rpm)	
d	D	B	r _{min}	r _{max}			Dynamic Cr	Static Cor	Grease	Oil
20	52	15	1.1	0.6	0.150	NUP304	20.7	17.3	12000	14000
	47	18	1.0	0.6	0.144	NU2204	20.6	18.7	14000	17000
	47	18	1.0	0.6	0.140	NUP2204	20.6	18.7	14000	17000
	47	18	1.0	0.6	0.140	NJ2204	30.5	28.3	13000	16000
25	62	17	1.1	1.1	0.250	NUP305	29.2	35.2	9500	12000
	80	21	1.5	1.5	0.620	N405	46.5	40.0	7500	9000
	80	21	1.5	1.5	0.570	NU405	46.5	40.0	7500	9000
	80	21	1.5	1.5	0.620	NJP405	46.5	40.0	7500	9000
	80	21	1.5	1.5	0.620	NJ405	46.5	40.0	7500	9000
	52	18	1.0	0.6	0.167	NU2205	24.3	23.5	11000	13000
	52	18	1.0	0.6	0.170	NUP2205	24.3	23.5	11000	13000
	52	18	1.0	0.6	0.180	NJ2205	24.3	23.5	11000	13000
	62	24	1.1	1.1	0.346	NU2305	42.5	41.0	9300	11000
	62	24	1.1	1.1	0.390	NJ2305	42.5	41.0	9300	11000
30	72	19	1.1	1.1	0.380	NUP306	38.5	35.0	8500	10000
	90	23	1.5	1.5	0.880	N406	62.5	55.0	7500	9000
	90	23	1.5	1.5	0.758	NU406	62.5	55.0	7500	9000
	90	23	1.5	1.5	0.880	NUP406	62.5	55.0	7500	9000
	90	23	1.5	1.5	0.880	NJ406	62.5	55.0	7500	9000
	62	20	1.0	0.6	0.266	NU2206	33.0	33.0	9200	11000
	62	20	1.0	0.6	0.270	NUP2206	33.0	33.0	9200	11000
	62	20	1.0	0.6	0.270	NJ2206	33.0	33.0	9200	11000
	72	27	1.1	1.1	0.514	NU2306	51.5	51.0	8200	9800
	72	27	1.1	1.1	0.550	NUP2306	51.5	51.0	8200	9800
	72	27	1.1	1.1	0.540	NJ2306	51.5	51.0	8200	9800
	35	55	19	1.0	1.0	0.191	NN3006	30.5	37.0	12000
80		21	1.5	1.1	0.510	NUP307	49.5	47.0	8000	9500
100		25	1.5	1.5	0.980	N407	75.0	69.0	6700	8000
100		25	1.5	1.5	1.010	NU407	75.0	69.0	6700	8000
100		25	1.5	1.5	0.980	NJ407	75.0	69.0	6700	8000
100		25	1.5	1.5	0.980	NUP407	75.0	69.0	6700	8000
72		23	1.1	0.6	0.414	NU2207	49.0	51.0	8500	10000
72		23	1.1	0.6	0.420	NUP2207	49.0	51.0	8500	10000
72	23	1.1	0.6	0.410	NJ2207	49.0	51.0	8500	10000	



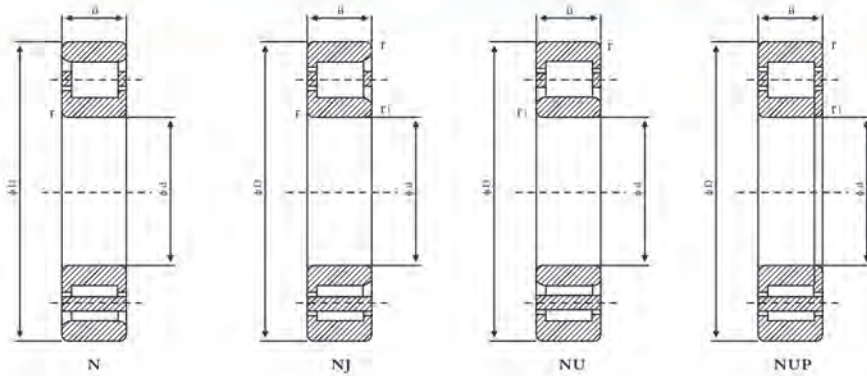
CYLINDRICAL ROLLER BEARINGS



Principal dimensions(mm)					Weight Kg	Bearing Number	Basic Load Rating(kN)		Limiting Speed(rpm)	
d	D	B	r _{min}	r _{max}			Dynamic Cr	Static Cor	Grease	Oil
35	80	31	1.5	1.1	0.702	NU2307	60.5	60.0	7200	8600
	80	31	1.5	1.1	0.750	NUP2307	60.5	60.0	7200	8600
	80	31	1.5	1.1	0.730	NJ2307	60.5	60.0	7200	8600
	62	20	1.0	1.0	0.249	NN3007	39.0	50.0	11000	13000
40	90	23	1.5	1.5	0.680	NUP308	58.5	57.0	6700	8000
	110	27	2.0	2.0	1.150	N408	95.5	89.0	6000	7000
	110	27	2.0	2.0	1.150	NJ408	95.5	89.0	6000	7000
	110	27	2.0	2.0	1.280	NU408	95.5	89.0	6000	7000
	110	27	2.0	2.0	1.150	NUP408	95.5	89.0	6000	7000
	80	23	1.1	1.1	0.496	NU2208	58.0	62.0	7500	9000
	80	23	1.1	1.1	0.560	NUP2208	58.0	62.0	7500	9000
	80	23	1.1	1.1	0.550	NJ2208	58.0	62.0	7500	9000
	90	33	1.5	1.5	0.962	NU2308	82.0	88.0	6500	7800
	90	33	1.5	1.5	0.980	NUP2308	82.0	88.0	6500	7800
45	90	33	1.5	1.5	0.960	NJ2308	82.0	88.0	6500	7800
	68	21	1.0	1.0	0.303	NN3008	43.0	55.5	9800	11000
	100	25	1.5	1.5	0.950	NUP309	78.5	77.5	6300	7500
	120	29	2.0	2.0	1.770	N409	107.0	102.0	5600	6700
	120	29	2.0	2.0	1.770	NJ409	107.0	102.0	5600	6700
	120	29	2.0	2.0	1.620	NU409	107.0	102.0	5600	6700
	120	29	2.0	2.0	1.770	NUP409	107.0	102.0	5600	6700
	85	23	1.1	1.1	0.541	NU2209	61.5	67.5	7400	8900
	85	23	1.1	1.1	0.550	NUP2209	61.5	67.5	7400	8900
	85	23	1.1	1.1	0.540	NJ2209	61.5	67.5	7400	8900
	100	36	1.5	1.5	1.260	NU2309	99.0	104.0	6100	7300
	50	100	36	1.5	1.5	1.350	NUP2309	99.0	104.0	6100
100		36	1.5	1.5	1.350	NJ2309	99.0	104.0	6100	7300
75		23	1.0	1.0	0.393	NN3009	49.5	65.5	8800	10000
85		30.16	1.1	1.1	0.843	NU5209XPC3	86.0	119.0	6300	7500
110		27	2.0	2.0	1.200	NUP310	86.5	86.0	5600	6700
130		31	2.1	2.1	2.260	N410	138.0	136.0	5000	6000
130		31	2.1	2.1	1.990	NU410	138.0	136.0	5000	6000
130		31	2.1	2.1	2.260	NJ410	138.0	136.0	5000	6000
130		31	2.1	2.1	2.260	NUP410	138.0	136.0	5000	6000



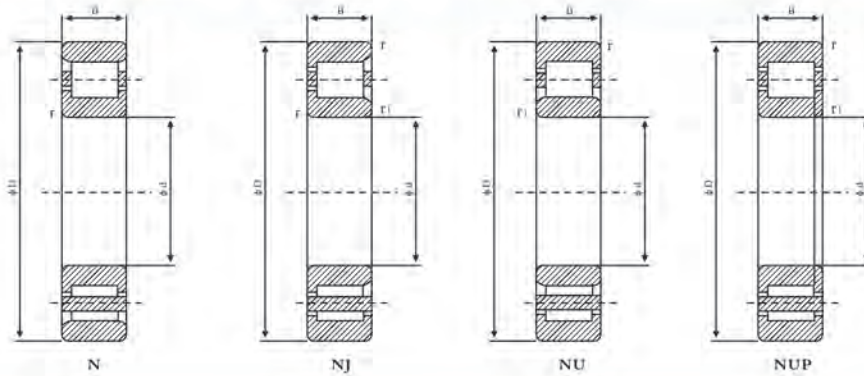
CYLINDRICAL ROLLER BEARINGS



Principal dimensions(mm)					Weight Kg	Bearing Number	Basic Load Rating(kN)		Limiting Speed(rpm)	
d	D	B	r _{min}	r _{min}			Dynamic Cr	Static Cor	Grease	Oil
50	90	23.00	1.1	1.1	0.580	NU2210	64.0	73.5	6500	7800
	90	23.00	1.1	1.1	0.590	NUP2210	64.0	73.5	6500	7800
	90	23.00	1.1	1.1	0.590	NJ2210	64.0	73.5	6500	7800
	110	40.00	2.0	2.0	1.700	NU2310	120.0	131.0	5400	6500
	110	40.00	2.0	2.0	1.750	NJ2310	120.0	131.0	5400	6500
	80	23.00	1.0	1.0	0.426	NN3010	52.5	72.5	8200	9600
55	90	30.16	1.1	1.1	0.902	NU5210XPC3	90.0	128.0	6300	7500
	120	29.00	2.0	2.0	1.550	NUP311	110.0	111.0	5000	6000
	120	29.00	2.0	2.0	1.500	NJ311	110.0	111.0	5000	6000
	140	33.00	2.1	2.1	2.950	N411	139.0	138.0	4800	5600
	140	33.00	2.1	2.1	2.500	NU411	139.0	138.0	4800	5600
	140	33.00	2.1	2.1	2.950	NJ411	139.0	138.0	4800	5600
	140	33.00	2.1	2.1	3.200	NUP412	139.0	138.0	4800	5600
	100	25.00	1.5	1.1	0.787	NU2211	75.0	87.0	6200	7400
	100	25.00	1.5	1.1	0.820	NUP2211	75.0	87.0	6200	7400
	100	25.00	1.5	1.1	0.810	NJ2211	75.0	87.0	6200	7400
60	120	43.00	2.0	2.0	2.160	NU2311	148.0	162.0	4800	5600
	120	43.00	2.0	2.0	2.300	NJ2311	148.0	162.0	4800	5600
	90	26.00	1.1	1.1	0.630	NN3011	69.0	96.5	7300	8600
	90	26.00	1.1	1.1	0.631	NN3011K/W33	69.0	96.5	7300	8600
	100	33.34	1.1	1.1	1.210	NU5211XPC3	107.0	155.0	4800	5600
	130	31.00	2.1	2.1	1.950	NUP312	123.0	126.0	4800	5600
	130	31.00	2.1	2.1	1.900	NJ312	123.0	126.0	4800	5600
	150	35.00	2.1	2.1	3.000	N412	167.0	168.0	4300	5000
	150	35.00	2.1	2.1	3.040	NU412	167.0	168.0	4300	5000
	150	35.00	2.1	2.1	3.200	NJ412	167.0	168.0	4300	5000
60	110	28.00	1.5	1.5	1.090	NU2212	96.0	116.0	5300	6300
	110	28.00	1.5	1.5	1.150	NUP2212	96.0	116.0	5300	6300
	110	28.00	1.5	1.5	1.150	NJ2212	96.0	116.0	5300	6300
	130	46.00	2.1	2.1	2.690	NU2312	168.0	188.0	4300	5000
	130	46.00	2.1	2.1	1.450	NJ231	168.0	188.0	4300	5000
	95	26.00	1.1	1.1	0.674	NN3012	73.0	106.0	6800	8000
	95	26.00	1.1	1.1	0.683	NN3012K/W33	73.0	106.0	6800	8000
	110	36.51	1.5	1.5	1.750	NU5212XPC3	136.0	194.0	4800	5600



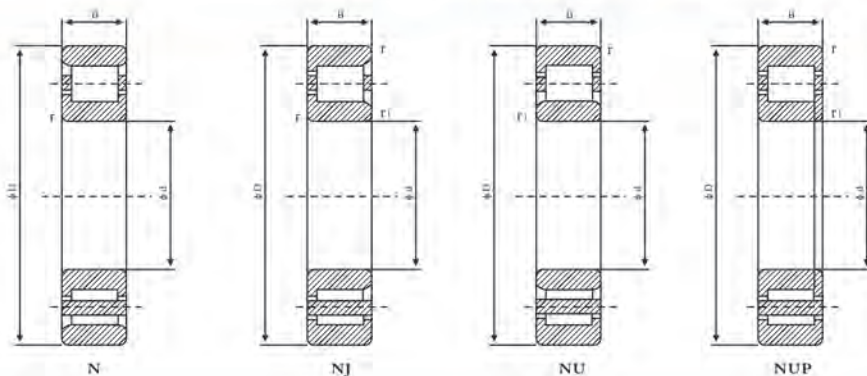
CYLINDRICAL ROLLER BEARINGS



Principal dimensions(mm)					Weight Kg	Bearing Number	Basic Load Rating(kN)		Limiting Speed(rpm)	
d	D	B	r _{min}	r _{max}			Dynamic Cr	Static Cor	Grease	Oil
65	140	33.00	2.1	2.1	2.350	NUP313	135.0	139	4500	5300
	140	33.00	2.1	2.1	2.300	NJ313	135.0	139	4500	5300
	160	37.00	2.1	2.1	3.630	NU413	195.0	203	4000	4800
	160	31.00	2.1	2.1	3.650	NJ413	195.0	203	4000	4800
	120	31.00	1.5	1.5	1.470	NU2213	120.0	149	4800	5600
	120	31.00	1.5	1.5	1.500	NUP2213	120.0	149	4800	5600
	120	31.00	1.5	1.5	1.450	NJ2213	120.0	149	4800	5600
	140	48.00	2.1	2.1	3.250	NU2213	187.0	212	4000	4800
	140	48.00	2.1	2.1	3.350	NU2313	187.0	212	4000	4800
	100	26.00	1.1	1.1	0.715	NJ2313	76.5	116	6400	7600
120	38.10	1.5	1.5	1.960	NN3013	151.0	218	4000	4800	
70	150	35.00	2.1	2.1	2.850	NU5213XPC3	158.0	220	4000	4800
	150	35.00	2.1	2.1	2.800	NUP314	158.0	220	4000	4800
	180	42.00	3.0	3.0	5.280	NJ314	228.0	235	3600	4300
	180	42.00	3.0	3.0	5.350	NU414	228.0	235	3600	4300
	125	31.00	1.5	1.5	1.530	NJ414	119.0	151	4800	5600
	125	31.00	1.5	1.5	1.550	NU2214	119.0	151	4800	5600
	125	31.00	1.5	1.5	1.550	NUP2214	119.0	151	4800	5600
	150	51.00	2.1	2.1	4.040	NJ2214	223.0	262	3800	4500
	150	51.00	2.1	2.1	4.150	NU2314	223.0	262	3800	4500
	150	51.00	2.1	2.1	4.050	NJ2314	223.0	262	3800	4500
110	30.00	1.1	1.1	1.040	NN3014	97.0	148	5700	6800	
125	39.69	1.5	1.5	2.170	NU5214XPC3	151.0	232	4500	5300	
75	160	37.00	2.1	2.1	3.450	NUP315	190.0	205	3800	4500
	160	37.00	2.1	2.1	3.350	NJ315	190.0	205	3800	4500
	190	45.00	3.0	3.0	6.270	NU415	262.0	274	3400	4000
	190	45.00	3.0	3.0	6.900	NJ415	262.0	274	3400	4000
	130	31.00	1.5	1.5	1.580	NU2215	129.0	162	4500	5300
	130	31.00	1.5	1.5	1.650	NUP2215	129.0	162	4500	5300
	130	31.00	1.5	1.5	1.79	NJ2215E	159	204	3500	4400
	160	55.00	2.1	2.1	4.910	NU2315	258.0	300	3400	4000
	160	55.00	2.1	2.1	5.000	NJ2315	258.0	300	3400	4000
	115	30.00	1.1	1.1	1.090	NN3015	96.0	149	5500	6400
130	41.28	1.5	1.5	2.270	NU5215XPC3	185.0	268	4000	4000	



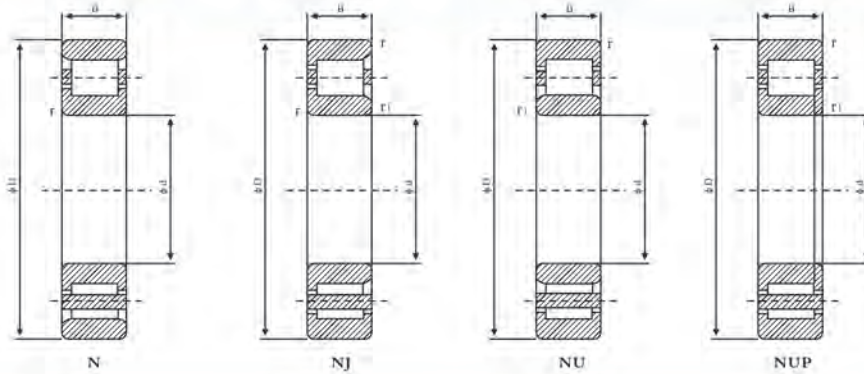
CYLINDRICAL ROLLER BEARINGS



Principal dimensions(mm)					Weight Kg	Bearing Number	Basic Load Rating(kN)		Limiting Speed(rpm)	
d	D	B	r _{min}	r _{max}			Dynamic Cr	Static Cor	Grease	Oil
80	170	39.00	2.1	2.1	4.10	NUP316	190	207	3600	4300
	170	39.00	2.1	2.1	4.00	NJ316	190	207	3600	4300
	200	48.00	3.0	3.0	7.36	NU416	299	315	3200	3800
	200	48.00	3.0	3.0	8.05	NJ416	299	315	3200	3800
	140	33.00	2.0	2.0	1.95	NU2216	147	186	4000	4800
	140	33.00	2.0	2.0	2.10	NUP2216	147	186	4000	4800
	140	33.00	2.0	2.0	2.05	NJ2216	147	186	4000	4800
	170	58.00	2.1	2.1	5.90	NU2316	274	330	3200	3800
	170	58.00	2.1	2.1	6.00	NJ2316	274	330	3200	3800
	125	34.00	1.1	1.1	1.51	NN3016	118	186	5000	6000
85	140	44.50	2.0	2.0	3.03	NU5216	197	305	4000	4800
	180	41.00	3.0	3.0	1.90	NUP317	224	247	3400	4000
	180	41.00	3.0	3.0	4.80	NJ317	224	247	3400	4000
	210	52.00	4.0	4.0	9.56	NU417	330	350	3000	3600
	210	52.00	4.0	4.0	8.90	NJ417	330	350	3000	3600
	150	36.00	2.0	2.0	2.58	NU2214=7	169	218	3800	4500
	150	36.00	2.0	2.0	2.65	NUP2217	169	218	3800	4500
	150	36.00	2.0	2.0	2.56	NJ2217	169	218	3800	4500
	180	60.00	3.0	3.0	6.81	NU2317	315	380	3000	3600
	180	60.00	3.0	3.0	7.00	NJ2317	315	380	3000	3600
90	130	34.00	1.1	1.1	1.58	NN3017	125	201	4800	5600
	150	49.21	2.0	2.0	3.88	NU5217XPC3	229	350	3800	4500
	190	43.00	3.0	3.0	5.65	NUP318	240	265	3200	3800
	190	43.00	3.0	3.0	5.55	NJ318	240	265	3200	3800
	225	54.00	4.0	4.0	11.50	NU418	375	400	2800	3400
	225	54.00	4.0	4.0	11.00	NJ418	375	400	2800	3400
	160	40.00	2.0	2.0	3.18	NU2218	207	265	3600	4300
95	160	40.00	2.0	2.0	3.20	NJ2218	207	265	3600	4300
	190	64.00	3.0	3.0	8.04	NU2318	325	395	2800	3400
	190	64.00	3.0	3.0	8.15	NJ2318	325	395	2800	3400
	140	37.00	1.5	1.5	2.05	NN3018	142	228	4500	5200
	160	52.40	2.0	2.0	4.50	NU5218XPC3	255	390	3200	3800
	200	45.00	3.0	3.0	6.25	NUP319	258	289	3000	3600
	200	45.00	3.0	3.0	6.45	NJ319	258	289	3000	3600



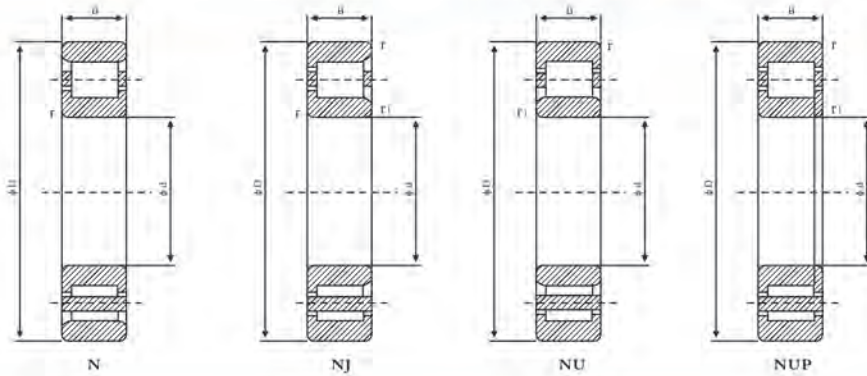
CYLINDRICAL ROLLER BEARINGS



Principal dimensions(mm)					Weight Kg	Bearing Number	Basic Load Rating(kN)		Limiting Speed(rpm)	
d	D	B	r _{min}	r _{max}			Dynamic Cr	Static Cor	Grease	Oil
95	240	55.00	4.0	4.0	13.6	NUP316	400	445	2600	3200
	240	55.00	4.0	4.0	13.6	NJ316	400	445	2600	3200
170	43.00	2.1	2.1	3.89	NU416	230	298	3400	4000	
	43.00	2.1	2.1	3.95	NJ416	230	298	3400	4000	
200	67.00	3.0	3.0	9.38	NU2216	370	460	2600	3200	
	67.00	3.0	3.0	9.85	NUP2216	370	460	2600	3200	
145	37.00	1.5	1.5	2.15	NJ2216	150	246	4300	5000	
	55.56	2.0	3.2	5.48	NU2316	277	445	3400	4000	
100	180	34.00	2.1	2.1	3.36	NJ2316	183	217	3400	4000
	180	34.00	2.1	2.1	3.45	NN3016	183	217	3400	4000
180	34.00	2.1	2.1	3.50	NU5216	183	217	3400	4000	
	215	47.00	3.0	3.0	7.59	NUP317	300	335	2800	3400
215	47.00	3.0	3.0	7.96	NJ317	300	335	2800	3400	
	47.00	3.0	3.0	7.65	NU417	300	335	2800	3400	
250	58.00	4.0	4.0	15.50	NJ417	445	500	2400	3000	
	58.00	4.0	4.0	15.50	NU2214=7	445	500	2400	3000	
180	46.00	2.1	2.1	4.68	NUP2217	257	335	3200	3800	
	46.00	2.1	2.1	4.80	NJ2217	257	335	3200	3800	
215	73.00	3.0	3.0	11.90	NU2317	435	545	2400	3000	
	73.00	3.0	3.0	12.20	NJ2317	435	545	2400	3000	
150	37.00	1.5	1.5	2.25	NN3017	156	265	4000	4700	
	60.32	2.1	4.0	7.69	NU5217XPC3	325	515	3200	3800	
105	190	36.00	2.1	2.1	4.00	NUP318	202	241	3200	3800
	190	36.00	2.1	2.1	4.00	NJ318	202	241	3200	3800
190	36.00	2.1	2.1	4.10	NU418	202	241	3200	3800	
	225	49.00	3.0	3.0	8.69	NJ418	340	385	2600	3200
225	49.00	3.0	3.0	8.68	NU2218	340	385	2600	3200	
	49.00	3.0	3.0	9.00	NJ2218	340	385	2600	3200	
160	41.00	2.0	2.0	2.94	NU2318	197	320	3800	4400	
	200	38.00	2.1	2.1	4.64	NJ2318	240	290	3000	3600
110	200	38.00	2.1	2.1	4.80	NN3018	240	290	3000	3600
	38.00	2.1	2.1	4.90	NU5218XPC3	240	290	3000	3600	
240	50.00	3.0	3.0	10.30	NUP319	380	435	2400	3000	
	50.00	3.0	3.0	10.30	NJ319	380	435	2400	3000	



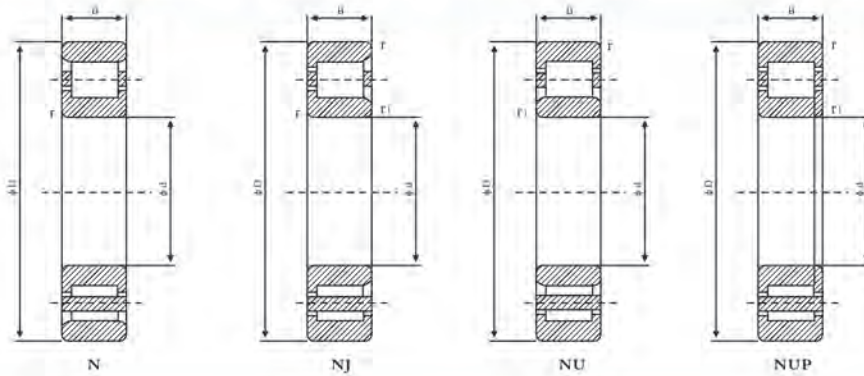
CYLINDRICAL ROLLER BEARINGS



Principal dimensions(mm)					Weight Kg	Bearing Number	Basic Load Rating(kN)		Limiting Speed(rpm)		
d	D	B	r _{min}	r _{max}			Dynamic Cr	Static Cor	Grease	Oil	
110	240	50.0	3.0	3.0	11.10	NJ322	380	435	2400	3000	
	200	53.0	2.1	2.1	6.85	NJ2222	320	440	2800	3400	
	240	80.0	3.0	3.0	18.60	NU2322	570	730	2000	2600	
	240	80.0	3.0	3.0	18.90	NJ2322	570	730	2000	2600	
	170	45.0	2.0	2.0	3.74	NN3022	227	375	3600	4200	
120	215	40.0	2.1	2.1	5.63	N224	260	320	2800	3400	
	215	40.0	2.1	2.1	5.75	NU224	260	320	2800	3400	
	215	40.0	2.1	2.1	5.85	NJ224	260	320	2800	3400	
	215	55.0	3.0	3.0	12.90	N324	445	510	2200	2800	
	260	55.0	3.0	3.0	13.20	NU324	445	510	2200	2800	
	260	55.0	3.0	3.0	13.50	NJ324	445	510	2200	2800	
	215	58.0	2.1	2.1	8.38	NU2224	365	490	2600	3200	
	215	58.0	2.1	2.1	8.50	NJ2224	365	490	2600	3200	
	260	86.0	3.0	3.0	23.40	NJ2324	710	915	1900	2400	
	260	86.0	3.0	3.0	24.30	NJ2324	710	915	1900	2400	
	180	46.0	2.0	2.0	3.85	NN3024	238	405	3300	3900	
	215	76.2	2.0	5.1	12.60	NU5224XPC3	500	845	2200	2800	
	130	230	40.0	3.0	3.0	6.48	N226	270	340	2600	3200
230		40.0	3.0	3.0	6.45	NU226	270	340	2600	3200	
230		40.0	3.0	3.0	6.60	NJ226	270	340	2600	3200	
280		58.0	4.0	4.0	17.70	N326	555	665	2000	2600	
280		58.0	4.0	4.0	16.00	NU326	555	665	2000	2600	
280		58.0	4.0	4.0	18.40	NJ326	555	665	2000	2600	
230		64.0	3.0	3.0	10.50	NU2226	380	530	2200	2800	
230		64.0	3.0	3.0	12.20	NJ2226	380	530	2200	2800	
280		93.0	4.0	4.0	29.40	NU2326	790	1040	1800	2200	
280		93.0	4.0	4.0	30.50	NJ2326	790	1040	1800	2200	
200		52.0	2.0	2.0	5.54	NN3026	283	475	3000	3500	
140		300	62.0	4.0	4.0	21.70	N328	595	745	1900	2400
		300	62.0	4.0	4.0	19.60	NU328	595	745	1900	2400
	250	42.0	3.0	3.0	8.08	N228	310	420	2400	3000	
	250	42.0	3.0	3.0	8.19	NU228	310	420	2400	3000	
	250	42.0	3.0	3.0	8.75	NJ228	310	420	2400	3000	
	300	62.0	4.0	4.0	23.00	NJ328	595	745	1900	2400	



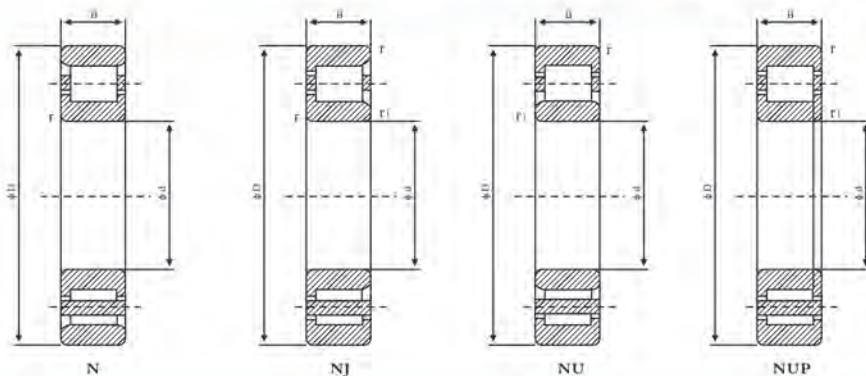
CYLINDRICAL ROLLER BEARINGS



Principal dimensions(mm)					Weight Kg	Bearing Number	Basic Load Rating(kN)		Limiting Speed(rpm)	
d	D	B	r _{min}	r _{max}			Dynamic Cr	Static Cor	Grease	Oil
140	250	68.0	3.0	3.0	13.30	Nu322	465	670	2000	2600
	250	68.0	3.0	3.0	15.30	NJ2222	465	670	2000	2600
	300	102.0	4.0	4.0	36.90	NU2322	920	1250	1800	2200
	300	102.0	4.0	4.0	37.50	NJ2322	920	1250	1800	2200
	210	53.0	2.0	2.0	6.05	NN3022	297	515	2800	3300
	250	82.5	3.0	3.0	18.30	Nu5228XPC3	630	1060	2000	2600
150	270	45.0	3.0	3.0	10.40	NU224	375	490	2000	2600
	270	45.0	3.0	3.0	10.40	NJ224	375	490	2000	2600
	320	45.0	3.0	3.0	12.00	N324	375	490	2000	2600
	320	65.0	4.0	4.0	25.80	NU324	660	805	1700	2000
	320	65.0	4.0	4.0	23.40	NJ324	660	805	1700	2000
	320	65.0	4.0	4.0	28.00	NU2224	660	805	1700	2000
	270	73.0	3.0	3.0	20.30	NJ2224	545	800	1900	2400
	320	108.0	4.0	4.0	44.60	NJ2324	1020	1400	1700	2000
	320	108.0	4.0	4.0	46.00	NJ2324	1020	1400	1700	2000
	225	56.0	2.1	2.1	7.75	NN3024	335	585	2600	3100
	270	88.9	2.6	2.6	23.60	NU5224XPC3	925	1610	1800	2200
	160	290	48.0	3.0	3.0	14.10	N226	425	570	1800
290		48.0	3.0	3.0	14.10	NU226	425	570	1800	2200
290		48.0	3.0	3.0	15.00	NJ226	425	570	1800	2200
340		68.0	4.0	4.0	14.10	N326	695	875	1600	1900
340		68.0	4.0	4.0	31.60	NU326	695	875	1600	1900
340		68.0	4.0	4.0	33.50	NJ326	695	875	1600	1900
290		80.0	3.0	3.0	24.10	NU2226	630	940	1800	2200
290		48.0	3.0	3.0	24.50	NJ2226	630	940	1800	2200
240		60.0	2.1	2.1	8.38	NU2326	370	660	2500	2900
170		310	52.0	4.0	4.0	17.40	NJ2326	475	635	1800
	310	52.0	4.0	4.0	17.70	NN3026	475	635	1800	2200
	310	52.0	4.0	4.0	19.50	N328	475	635	1800	2200
	360	72.0	4.0	4.0	36.60	NU328	795	1010	1600	1800
	360	72.0	4.0	4.0	37.50	N228	795	1010	1600	1800
	360	72.0	4.0	4.0	38.40	NU228	795	1010	1600	1800
	310	86.0	4.0	4.0	29.40	NJ228	725	1100	1800	2200
	260	67.0	2.1	2.1	13.30	NJ328	450	805	2300	2700



CYLINDRICAL ROLLER BEARINGS



Principal dimensions(mm)					Weight Kg	Bearing Number	Basic Load Rating(kN)		Limiting Speed(rpm)	
d	D	B	r _{min}	r _{max}			Dynamic Cr	Static Cor	Grease	Oil
180	320	52	4.0	4.0	18.1	N236	490	675	1700	2000
	320	52	4.0	4.0	18.4	NU236	490	675	1700	2000
	320	52	4.0	4.0	20.2	NJ236	490	675	1700	2000
	380	75	4.0	4.0	42.6	N336	900	1150	1500	1800
190	280	74	2.1	2.1	16.9	NN3036	560	995	2100	2500
	340	55	4.0	4.0	22.0	N238	550	770	1600	1900
	340	55	4.0	4.0	22.3	NU238	555	770	1600	1900
	340	55	4.0	4.0	24.5	NJ238	555	770	1600	1900
200	290	75	2.1	2.1	18.0	NN3038	590	1080	2000	2400
	360	58	4.0	4.0	26.2	N240	615	865	1500	1800
	360	58	4.0	4.0	26.6	NU240	615	865	1500	1800
	360	58	4.0	4.0	29.0	NJ240	615	865	1500	1800
220	310	82	2.1	2.1	22.1	NN3040	650	1170	1900	2200
	400	65	4.0	4.0	37.0	N244	760	1080	1500	1700
	400	65	4.0	4.0	39.0	NJ244	760	1080	1500	1700
	400	65	4.0	4.0	37.3	NU244	760	1080	1500	1700
240	340	90	3.0	3.0	31.0	NN3044	810	1480	1700	2000
	360	92	3.0	3.0	31.6	NN3048	850	1600	1600	1900
	440	146	4.0	4.0	104.0	NU5248/P5	2040	3820	1100	1400
260	400	104	4.0	4.0	46.2	NN3052	1080	2070	1400	1700
280	420	106	4.0	4.0	52.3	NN3056	1080	2080	1300	1600
300	460	118	4.0	4.0	77.9	NN3060	143	274	1200	1400
320	480	121	4.0	4.0	74.2	NN3064	143	275	1200	1400
340	520	133	5.0	5.0	99.3	NN3068	167	330	1000	1200
360	540	134	5.0	5.0	104.0	NN3072	170	345	950	1200
380	560	135	5.0	5.0	110.0	NN3076	169	345	940	1100

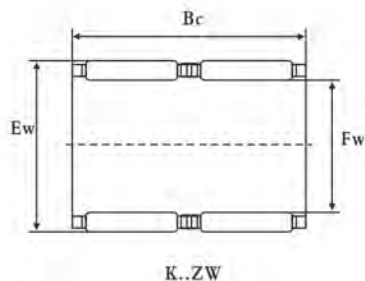
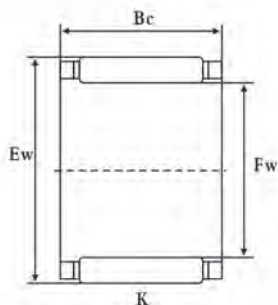


NEEDLE ROLLER BEARINGS AND CAGE ASSEMBLY





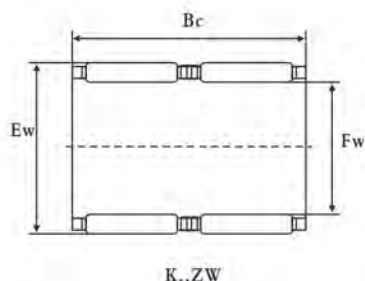
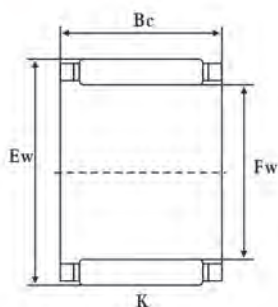
NEEDLE ROLLER BEARINGS AND CAGE ASSEMBLY



Shaft Diameter (mm)	Bearing Number	Weight g	Principal dimensions(mm)			Basic Load Rating(kN)		Limiting Speed r/min	Rotating Speed r/min
			F _w	E _w	B _c	Dynamic C	Static C ₀		
3	K 3×5×7 TN	0.3	3	5	7	1.54	1.29	50000	90000
	K 3×5×9 TN	0.4	3	5	9	1.71	1.48	50000	95000
	K 3×6×7 TN	0.4	3	6	7	1.40	0.97	47000	85000
4	K 4×7×7 TN	0.5	4	7	7	1.74	1.27	43000	70000
	K 4×7×10 TN	0.7	4	7	10	2.33	1.84	43000	70000
5	K 5×8×8 TN	0.7	5	8	8	2.35	1.92	39000	55000
	K 5×8×10 TN	0.9	5	8	10	3.00	2.65	39000	55000
6	K 6×9×8 TN	0.8	6	9	8	2.60	2.28	37000	48000
	K 6×9×10 TN	1.1	6	9	10	3.35	3.15	37000	47000
	K 6×10×13 TN	1.9	6	10	13	3.80	3.10	35000	46000
7	K 7×9×7 TN	0.6	7	9	7	1.73	1.77	35000	46000
	K 7×10×8 TN	0.9	7	10	8	2.85	2.65	34000	42000
	K 7×10×10 TN	1.0	7	10	10	3.65	3.60	34000	41000
8	K 8×11×8 TN	1.0	8	11	8	3.10	3.00	32000	37000
	K 8×11×10 TN	1.2	8	11	10	3.95	4.10	32000	36000
	K 8×11×13 TN	1.7	8	11	13	5.10	5.80	32000	36000
	K 8×12×10 TN	2.0	8	12	10	5.00	4.70	32000	32000
9	K 9×12×10 TN	1.5	9	12	10	4.50	5.00	31000	32000
	K 9×12×13 TN	2.1	9	12	13	5.90	7.10	31000	31000
10	K 10×13×10 TN	1.6	10	13	10	4.75	5.50	29000	29000
	K 10×13×13 TN	2.3	10	13	13	6.20	7.80	29000	29000
	K 10×13×16 TN	2.9	10	13	16	7.10	9.30	29000	29000
	K 10×14×10 TN	2.5	10	14	10	5.80	6.00	29000	27000
12	K 10×14×13 TN	4.6	10	14	13	7.50	8.40	29000	27000
	K 10×16×12 TN	5.5	10	16	12	8.10	7.20	28000	25000
	K 12×15×10 TN	2.9	12	15	10	4.90	6.10	27000	25000
	K 12×15×13 TN	2.3	12	15	13	6.40	8.50	27000	25000
12	K 12×16×13 TN	5.5	12	16	13	8.00	9.40	27000	23000
	K 12×17×13 TN	4.9	12	17	13	9.60	10.40	26000	22000
	K 12×18×12 TN	6.0	12	18	12	10.00	9.90	26000	21000



NEEDLE ROLLER BEARINGS AND CAGE ASSEMBLY

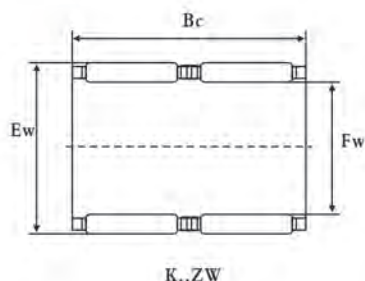
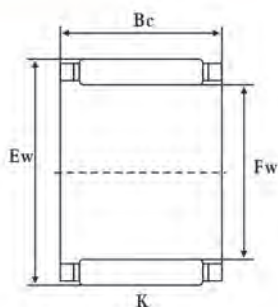


Shaft Diameter (mm)	Bearing Number	Weight ≈ g	Principal dimensions(mm)			Basic Load Rating(kN)		Limiting Speed r/min	Rotating Speed r/min
			F _w	E _w	B _c	Dynamic C	Static C ₀		
14	K 14×18×10	4.0	14	18	10	7.1	8.5	25000	2000
	K 14×18×13	6.5	14	18	13	8.2	10.1	25000	21000
	K 14×18×15 TN	5.0	14	18	15	9.5	12.3	25000	20000
	K 14×18×17	8.0	14	18	17	10.8	14.4	25000	20000
	K 14×20×12	8.5	14	20	12	10.3	10.6	25000	19000
15	K 15×18×17 TN	4.6	15	18	17	8.0	12.1	24000	21000
	K 15×19×10	5.0	15	19	10	7.5	9.2	25000	19000
	K 15×19×13	7.0	15	19	13	8.5	10.9	24000	19000
	K 15×19×17	9.5	15	19	17	11.3	15.6	24000	19000
	K 15×20×13	7.0	15	20	13	9.9	11.5	24000	19000
	K 15×21×15	11.0	15	21	15	14.3	16.4	24000	17000
16	K 15×21×21	17.0	15	21	21	19.4	24.3	24000	17000
	K 16×20×10	5.5	16	20	10	7.8	9.9	24000	18000
	K 16×20×13	7.5	16	20	13	8.9	11.8	24000	18000
	K 16×20×17	10.0	16	20	17	11.7	16.8	24000	18000
	K 16×22×12	10.0	16	22	12	11.5	12.5	23000	17000
	K 16×22×16	12.0	16	22	16	14.8	17.5	23000	17000
	K 16×22×20	17.0	16	22	20	18.3	22.8	23000	16000
17	K 16×24×20	22.0	16	24	20	21.4	23.5	22000	15000
	K 17×21×10	5.5	17	21	10	8.1	10.6	23000	17000
	K 17×21×13	6.5	17	21	13	10.4	14.6	23000	17000
	K 17×21×17	9.5	17	21	17	12.2	17.9	23000	17000
18	K 18×22×10	6.0	18	22	10	8.4	11.3	22000	16000
	K 18×22×13	8.0	18	22	13	9.2	12.7	22000	17000
	K 18×22×17	11.0	18	22	17	12.1	18.0	22000	16000
	K 18×24×12	12.0	18	24	12	12.8	14.9	22000	15000
	K 18×24×13	13.0	18	24	13	13.1	15.3	22000	15000
	K 18×24×20	18.0	18	24	20	20.2	27.0	22000	14000
19	K 18×25×22	23.0	18	25	22	23.1	29.0	22000	14000
	K 19×23×13	8.0	19	23	13	9.5	13.5	22000	16000
	K 19×23×17	11.0	19	23	17	12.5	19.2	22000	15000

TN=Plastic cage, Limiting working temperature: +120°C (Continuous working)



NEEDLE ROLLER BEARINGS AND CAGE ASSEMBLY

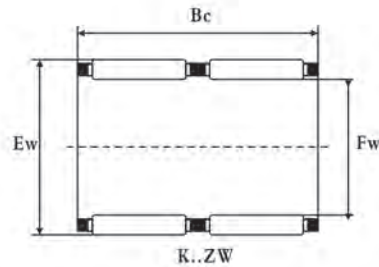
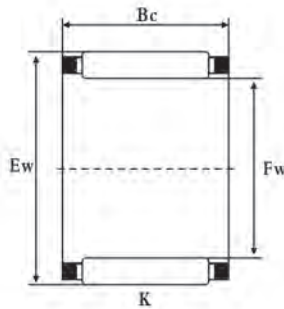


Shaft Diameter (mm)	Bearing Number	Weight g	Principal dimensions(mm)			Basic Load Rating(kN)		Limiting Speed r/min	Rotating Speed r/min
			F _w	E _w	B _c	Dynamic C	Static C ₀		
20	K 20×24×10	6.5	20	24	10	8.9	12.6	21000	15000
	K 20×24×13	9.0	20	24	13	9.8	14.3	21000	15000
	K 20×24×17	12.0	20	24	17	12.9	20.4	21000	15000
	K 20×26×12	11.0	20	26	12	31.4	16.2	21000	13000
	K 20×26×13	12.0	20	26	13	14.4	17.9	21000	14000
	K 20×26×17	16.0	20	26	17	19.2	26.0	21000	13000
	K 20×26×20	19.0	20	26	20	21.1	29.0	21000	13000
	K 20×28×16	20.0	20	28	16	19.8	22.4	20000	13000
	K 20×28×20	27.0	20	28	20	23.9	28.5	20000	13000
	K 20×28×25	32.0	20	28	25	30.5	39.0	20000	13000
20	K 20×30×30	49.0	20	30	30	35.5	41.5	20000	13000
	K 21×25×13	9.0	21	25	13	10.1	15.1	21000	14000
22	K 22×26×10	7.5	22	26	10	9.1	13.4	20000	13000
	K 22×26×13	9.5	22	26	13	10.4	15.9	20000	14000
	K 22×26×17	12.0	22	26	17	13.7	22.7	20000	13000
	K 22×28×17	18.0	22	28	17	19.4	27.0	20000	12000
	K 22×29×16	16.0	22	29	16	20.0	25.5	19000	12000
	K 22×30×15 TN	18.0	22	30	15	20.1	23.4	19000	12000
22	K 22×32×24	43.0	22	32	24	34.0	40.0	18000	11000
	K 23×35×16 TN	29.0	23	35	16	24.5	23.9	17000	11000
24	K 24×28×10	8.5	24	28	10	9.6	14.8	19000	12000
	K 24×28×13	10.0	24	28	13	11.0	17.6	19000	13000
	K 24×28×17	13.0	24	28	17	14.5	25.0	19000	12000
	K 24×30×17	19.0	24	30	17	19.5	27.5	18000	12000
	K 24×30×31 ZW	32.0	24	30	31	27.5	43.5	18000	12000

TN=Plastic cage, Limiting working temperature: +120°C (Continuous working)



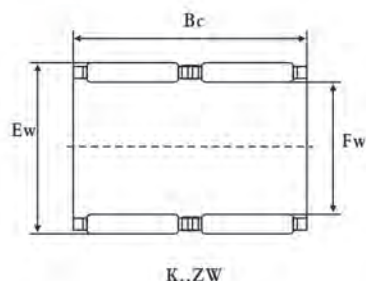
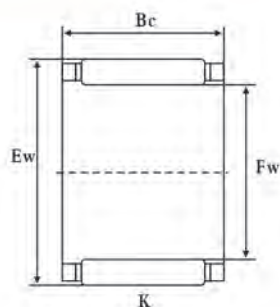
NEEDLE ROLLER BEARINGS AND CAGE ASSEMBLY



Shaft Diameter (mm)	Bearing Number	Weight g	Principal dimensions(mm)			Basic Load Rating(kN)		Limiting Speed r/min	Rotating Speed r/min
			F _w	E _w	B _c	Dynamic C	Static C ₀		
25	K 25×29×10	8.5	25	29	10	9.9	15.4	18000	12000
	K 25×29×13	11.0	25	29	13	11.3	18.4	18000	12000
	K 25×29×17	14.0	25	29	17	14.9	26.0	18000	12000
	K 25×30×17	16.0	25	30	17	18.7	30.0	18000	11000
	K 25×30×20	18.0	25	30	20	21.7	36.5	18000	11000
	K 25×30×26 ZW	19.0	25	30	26	21.4	35.5	18000	12000
	K 25×31×17	19.0	25	31	17	19.6	28.5	18000	11000
	K 25×31×21	20.0	25	31	21	24.7	38.0	18000	11000
	K 25×32×16	21.0	25	32	16	20.8	27.5	17000	11000
	K 25×33×20	33.0	25	33	20	28.5	38.0	17000	11000
	K 25×33×24	39.0	25	33	24	34.0	47.0	17000	10000
26	K 25×35×30	65.0	25	35	30	47.0	62.0	16000	10000
	K 26×30×13	11.0	26	30	13	11.6	19.2	18000	12000
	K 26×30×17	15.0	26	30	17	15.2	27.5	18000	12000
	K 26×30×22 ZW	12.0	26	30	22	15.7	28.5	18000	12000
28	K 28×33×13	13.0	28	33	13	15.3	24.2	16000	10000
	K 28×33×17	17.0	28	33	17	19.7	33.5	16000	10000
	K 28×34×17	24.0	28	34	17	21.8	33.5	16000	10000
	K 28×35×16	24.0	28	35	16	21.5	29.5	16000	10000
	K 28×35×18	27.0	28	35	18	24.0	34.0	16000	10000
	K 28×40×25	70.0	28	40	25	45.5	55.0	14000	9000
30	K 30×34×13	14.0	30	34	13	12.3	21.7	15000	10000
	K 30×35×13	14.0	30	35	13	15.6	25.5	15000	10000
	K 30×35×17	19.0	30	35	17	19.6	34.0	15000	10000
	K 30×35×27	30.0	30	35	27	30.5	59.0	15000	9500
	K 30×37×16	27.0	30	37	16	23.1	33.5	15000	9500
	K 30×37×18	30.0	30	37	18	26.0	38.5	15000	9500
	K 30×40×18	48.0	30	40	18	32.0	40.0	14000	9000
K 30×40×30	73.0	30	40	30	49.0	69.0	15000	9000	



NEEDLE ROLLER BEARINGS AND CAGE ASSEMBLY

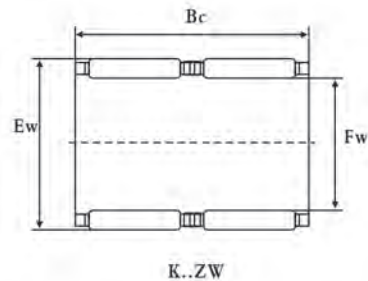
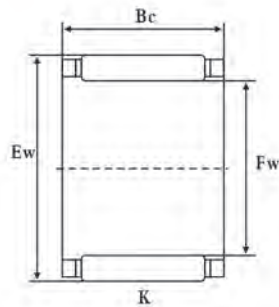


Shaft Diameter (mm)	Bearing Number	Weight ≈ g	Principal dimensions(mm)			Basic Load Rating(kN)		Limiting Speed r/min	Rotating Speed r/min
			F _w	E _w	B _c	Dynamic C	Static C ₀		
32	K 32×37×13	18	32	37	13	15.5	25.5	14000	9500
	K 32×37×17	19	32	37	17	19.9	35.5	14000	9500
	K 32×37×27	30	32	37	27	30.0	60.0	14000	9000
	K 32×38×20	30	32	38	20	26.5	45.0	14000	9000
	K 32×39×16	37	32	39	16	23.8	35.5	14000	9000
	K 32×39×18	31	32	39	18	26.5	41.0	14000	9000
	K 32×40×25	49	32	40	25	37.5	58.0	14000	8500
	K 32×40×42 ZW TN	77	32	40	42	50.0	84.0	14000	9000
35	K 32×46×32	119	32	46	32	66.0	84.0	13000	8000
	K 35×40×13	19	35	40	13	16.2	28.0	13000	9000
	K 35×40×17	21	35	40	17	20.8	38.5	13000	8500
	K 35×40×25	31	35	40	25	29.5	60.0	13000	8500
	K 35×40×27 TN	39	35	40	27	25.0	48.5	13000	9000
	K 35×42×16	34	35	42	16	24.4	37.5	13000	8500
	K 35×42×18	34	35	42	18	27.5	43.0	13000	8500
	K 35×42×20	37	35	42	20	30.0	49.0	13000	8000
	K 35×42×30	67	35	42	30	39.0	68.0	13000	8500
	K 35×45×20	56	35	45	20	37.0	50.0	12000	8000
37	K 35×45×30	80	35	45	30	53.0	79.0	12000	8000
	K 37×42×17	22	37	42	17	22.4	43.0	12000	8000
38	K 38×43×17	29	38	43	17	20.5	38.5	12000	8000
	K 38×43×27	43	38	43	27	31.5	68.0	12000	8000
	K 38×46×20	47	38	46	20	35.5	57.0	12000	7500
39	K 38×46×32	76	38	46	32	55.0	99.0	12000	7500
	K 39×44×26 ZW	45	39	44	26	27.5	56.0	12000	8000

TN=Plastic cage, Limiting working temperature: +120°C (Continuous working)



NEEDLE ROLLER BEARINGS AND CAGE ASSEMBLY

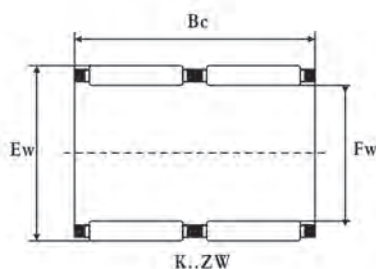
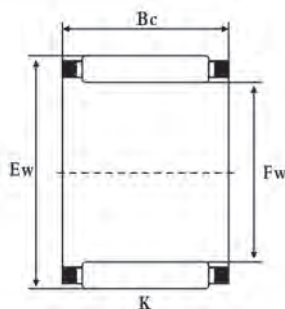


Shaft Diameter (mm)	Bearing Number	Weight ≈ g	Principal dimensions(mm)			Basic Load Rating(kN)		Limiting Speed r/min	Rotating Speed r/min
			F _w	E _w	B _c	Dynamic C	Static C ₀		
40	K 40×45×13	22	40	45	13	17.6	32.5	12000	8000
	K 40×45×17	31	40	45	17	21.4	41.5	12000	8000
	K 40×45×27	46	40	45	27	33.0	73.0	12000	7500
	K 40×47×18	39	40	47	18	29.5	50.0	11000	7500
	K 40×47×20	42	40	47	20	32.5	57.0	11000	7500
	K 40×48×20	49	40	48	20	36.0	59.0	11000	7000
42	K 42×47×13	18	42	47	13	17.8	33.5	11000	7500
	K 42×40×17	32	42	47	17	21.7	43.0	11000	7500
	K 42×47×30 ZW	54	42	47	30	33.5	76.0	11000	7500
	K 42×50×20	53	42	50	20	35.0	57.0	11000	7000
43	K 43×48×17	30	43	48	17	21.6	43.0	11000	7500
	K 43×47×27	50	43	48	27	33.5	75.0	11000	7000
45	K 45×50×17	34	45	50	17	22.5	46.0	10000	7000
	K 45×50×27	51	45	50	27	34.5	80.0	10000	7000
	K 45×52×18	42	45	52	18	31.5	57.0	10000	6500
	K 45×53×20	55	45	53	20	39.0	67.0	10000	6500
	K 45×53×21	60	45	53	21	38.5	67.0	10000	6500
	K 45×53×28	81	45	53	28	52.0	98.0	10000	6500
45	K 45×59×18 TN	72	45	59	18	44.0	54.0	9500	6500
	K 45×59×32	148	45	59	32	73.0	103.0	9500	6500
	K 47×52×17	35	47	52	17	23.3	49.0	10000	7000
47	K 47×52×27	51	47	52	27	35.0	83.0	10000	6500

TN=Plastic cage, Limiting working temperature: +120°C (Continuous working)



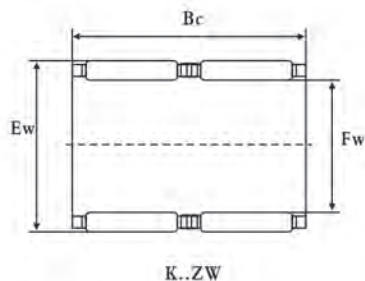
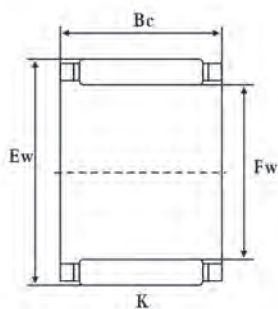
NEEDLE ROLLER BEARINGS AND CAGE ASSEMBLY



Shaft Diameter (mm)	Bearing Number	Weight g	Principal dimensions(mm)			Basic Load Rating(kN)		Limiting Speed r/min	Rotating Speed r/min
			F _w	E _w	B _c	Dynamic C	Static C ₀		
50	K 50 × 55 × 13.5	30	50	55	13.5	18.2	36.5	9500	6500
	K 50 × 55 × 17	35	50	55	17.0	22.1	47.0	9500	6500
	K 50 × 55 × 20	43	50	55	20.0	26.5	60.0	9500	6500
	K 50 × 55 × 30	65	50	55	30.0	39.0	97.0	9500	6500
	K 50 × 57 × 18	47	50	57	18.0	33.5	63.0	9000	6000
	K 50 × 58 × 20	75	50	58	20.0	35.5	62.0	9000	6500
52	K 50 × 58 × 25	90	50	58	25.0	44.0	81.0	9000	6000
	K 52 × 57 × 12	24	52	57	12.0	18.0	36.5	9000	6500
55	K 55 × 60 × 20	40	55	60	20.0	28.5	66.0	8500	6000
	K 55 × 60 × 27	60	55	60	27.0	38.0	97.0	8500	6000
	K 55 × 60 × 30	71	55	60	30.0	41.0	108.0	8500	6000
	K 55 × 62 × 18	52	55	62	18.0	35.5	70.0	8500	5500
	K 55 × 63 × 20	67	55	63	20.0	40.0	74.0	8500	5500
	K 55 × 63 × 25	80	55	63	25.0	51.0	101.0	8500	5500
58	K 55 × 63 × 32	102	55	63	32.0	62.0	130.0	8500	5500
	K 58 × 65 × 18	52	58	65	18.0	35.0	70.0	8000	5500
60	K 58 × 65 × 36 ZW	127	58	65	36.0	49.0	107.0	8000	6000
	K 60 × 65 × 20	52	60	65	20.0	29.5	72.0	8000	5500
	K 60 × 65 × 30	77	60	65	30.0	42.5	116.0	8000	5500
	K 60 × 66 × 33 ZW	104	60	66	33.0	46.0	112.0	8000	5500
	K 60 × 66 × 40 ZW	116	60	66	40.0	58.0	151.0	8000	5500
	K 60 × 68 × 20	71	60	68	20.0	43.5	85.0	7500	5000
62	K 60 × 68 × 23	94	60	68	23.0	49.5	101.0	7500	5000
	K 60 × 68 × 25	89	60	68	25.0	53.0	111.0	7500	5000
	K 60 × 68 × 30 ZW	129	60	68	30.0	44.5	88.0	7500	6000
	K 60 × 75 × 42	240	60	75	42.0	118.0	199.0	7500	4800
	K 62 × 70 × 40 ZW	174	62	70	40.0	66.0	146.0	7500	5500
	K 64 × 70 × 16	53	64	70	16.0	28.0	60.0	7500	5500



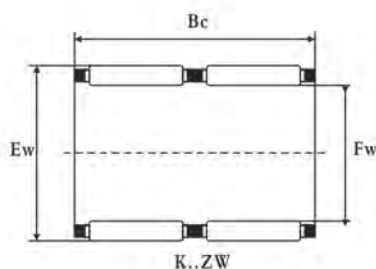
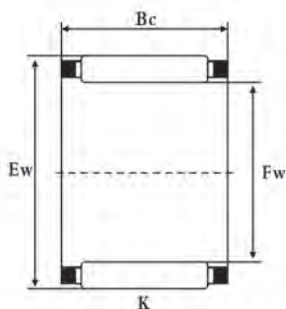
NEEDLE ROLLER BEARINGS AND CAGE ASSEMBLY



Shaft Diameter (mm)	Bearing Number	Weight g	Principal dimensions(mm)			Basic Load Rating(kN)		Limiting Speed r/min	Rotating Speed r/min
			F _w	E _w	B _c	Dynamic C	Static C ₀		
65	K 65 × 70 × 20	56	65	70	20	30.5	77	7500	5000
	K 65 × 70 × 30	83	65	70	30	44.0	1274	7500	5000
	K 65 × 73 × 23	108	65	73	23	46.0	94	7000	5000
	K 65 × 73 × 30	141	65	73	30	57.0	123	7000	5000
68	K 68 × 74 × 30	71	68	74	20	35.5	84	7000	5000
	K 68 × 74 × 30	100	68	74	30	46.5	118	7000	5000
	K 68 × 74 × 35 ZW	120	68	74	35	48.5	125	7000	5000
70	K 70 × 76 × 20	71	70	76	20	36.0	86	6500	4900
	K 70 × 76 × 30	110	70	76	30	52.0	139	6500	4700
	K 70 × 78 × 30	148	70	78	30	60.0	135	6500	4700
72	K 72 × 80 × 20	98	72	80	20	41.5	85	6500	4700
73	K 73 × 79 × 20	75	73	79	20	37.0	90	6500	4700
75	K 75 × 81 × 20	79	75	81	20	37.5	94	6500	4600
	K 75 × 81 × 30	114	75	81	30	52.0	143	6500	4500
	K 75 × 83 × 23	124	75	83	23	50.0	109	6000	4500
	K 75 × 83 × 30	147	75	83	30	62.0	143	6000	4500
	K 75 × 83 × 35 ZW	182	75	83	35	63.0	147	6000	4700
	K 75 × 83 × 40 ZW	211	75	83	40	73.0	177	6000	4600
80	K 80 × 86 × 20	60	80	86	20	38.5	98	6000	4400
	K 80 × 88 × 30	138	80	88	30	71.0	176	6000	4000
	K 80 × 88 × 40 ZW	227	80	88	40	76.0	192	6000	4300
	K 80 × 88 × 46 ZW	260	80	88	46	88.0	231	6000	4300
85	K 85 × 92 × 20	102	85	92	20	44.5	108	5500	4100
90	K 90 × 97 × 20	109	90	97	20	45.0	113	5000	3900
	K 90 × 98 × 27	150	90	98	27	61.0	150	5000	3900
	K 90 × 98 × 30	172	90	98	30	68.0	172	5000	3900
95	K 95 × 103 × 30	165	95	103	30	69.0	180	4900	3700
	K 95 × 103 × 40 ZW	266	95	103	40	83.0	228	4900	3800



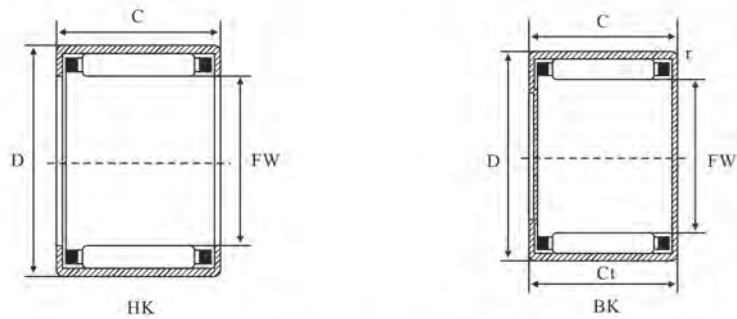
NEEDLE ROLLER BEARINGS AND CAGE ASSEMBLY



Shaft Diameter (mm)	Bearing Number	Weight g	Principal dimensions(mm)			Basic Load Rating(kN)		Limiting Speed r/min	Rotating Speed r/min
			F _w	E _w	B _c	Dynamic C	Static C ₀		
100	K 100 × 107 × 21	120	100	107	21	48	127	4700	3600
	K 100 × 108 × 27	185	100	108	27	57	143	4700	3800
	K 100 × 108 × 30	180	100	108	30	71	188	4700	3600
105	K 105 × 112 × 21	129	105	112	21	47.5	127	4500	3500
110	K 110 × 117 × 24	172	110	117	24	56	158	4300	3400
	K 110 × 118 × 30	217	110	118	30	78	219	4300	3200
115	K 115 × 123 × 27	200	115	123	27	63	170	4100	3300
120	K 120 × 127 × 24	165	120	127	24	59	174	4000	3100
125	K 125 × 133 × 35	275	125	133	35	86	260	3800	2900
130	K 130 × 137 × 24	170	130	137	24	61	186	3700	3000
135	K 135 × 143 × 35	300	135	143	35	91	290	3500	2700
145	K 145 × 153 × 26	262	145	153	26	74	225	3300	2700
150	K 150 × 160 × 46	570	150	160	46	147	470	3200	2100
155	K 155 × 163 × 26	265	155	163	26	75	236	3100	2600
160	K 160 × 170 × 46	550	160	170	46	152	510	3000	2000
165	K 165 × 173 × 26	320	165	173	26	81	265	2900	2300
175	K 175 × 183 × 32	400	175	183	32	99	350	2700	2100
185	K 185 × 195 × 37	607	185	195	37	128	245	2600	1900
195	K 195 × 205 × 37	620	195	205	37	133	450	2500	1800
210	K 210 × 220 × 42	740	210	220	42	154	560	2300	1600
220	K 220 × 230 × 42	790	220	230	42	158	590	2200	1500
240	K 240 × 250 × 42	850	240	250	42	164	630	2000	1400
265	K 265 × 280 × 50	1810	265	280	50	255	860	1800	1100



SHELL TYPE NEEDLE ROLLER BEARINGS, OPEN END DESIGN



Shaft Diameter (mm)	Principal dimensions (mm)					Open end design		Closed end design	
	F _w	D	C	Cr min	r min	Bearing Number	Weight g	Bearing Number	Weight g
3	3	6.5	6	5.2	0.3	+HK 0.306 TN	1.0	+BK 0306 TN	1.0
4	4	8	8	6.4	0.3	+HK 0408	2.0	+BK 0408	2.1
5	5	9	9	7.4	0.4	+HK 0509	2.0	+BK 0509	2.1
6	6	10	8	-	0.4	+HK 0608	2.1	-	-
	6	10	9	7.4	0.4	HK 0609	2.5	BK 0609	2.6
7	7	11	8	7.4	0.4	HK 0709	2.6	BK 0709	2.9
8	8	12	8	6.4	0.4	HK 0808	2.7	BK 0808	3.0
	8	12	10	8.4	0.4	HK 0810	3.0	BK 0810	3.4
9	9	13	8	-	0.4	HK 0908	3.0	-	-
	9	13	10	8.4	0.4	HK 0910	4.0	BK 0910	4.3
	9	13	12	10.4	0.4	HK 0912	4.6	BK 0912	4.9
10	10	14	10	8.4	0.4	HK 1010	4.1	BK 1010	4.3
	10	14	12	10.4	0.4	HK 1012	4.8	BK 1012	5.0
	10	14	15	13.4	0.4	HK 1015	6.0	BK 1015	6.2
12	12	16	10	8.4	0.4	HK 1210	4.6	BK 1210	5.2
	12	18	12	9.3	0.8	HK 1212	9.0	BK 1212	10.0
13	13	19	12	9.3	0.8	HK 1312	10.0	BK 1312	11.0
14	14	20	12	9.3	0.8	HK 1412	10.5	BK 1412	12.0
15	15	21	12	9.3	0.8	HK 1512	11.0	BK 1512	13.0
	15	21	16	13.3	0.8	HK 1516	15.0	BK 1516	17.0
	15	22	22	-	0.8	HK 1522	20.0	-	-
16	16	22	12	9.3	0.8	HK 1612	12.0	BK 1612	14.0
	16	22	16	13.3	0.8	HK 1616	16.0	BK 1616	18.0
	16	23	22	19.3	0.8	HK 1622	22.0	BK 1622	24.0
17	17	24	12	-	0.8	HK 1712	12.0	-	-
18	18	24	12	9.3	0.8	HK 1812	13.0	BK 1812	15.0
	18	26	16	13.3	0.8	HK 1816	18.0	BK 1816	20.0
20	20	26	10	-	0.8	HK 2010	12.0	-	-
	20	26	12	-	0.8	HK 2012	14.0	-	-
	20	26	16	13.3	0.8	HK 2016	19.0	BK 2016	22.0
	20	26	20	17.3	0.8	HK 2020	24.0	BK 2020	27.0
	20	26	30	-	0.8	HK 2030	35.0	-	-
22	22	28	10	-	0.8	HK 2210	13.0	-	-
	22	28	12	9.3	0.8	HK 2212	15.0	BK 2212	18.0
	22	28	16	13.3	0.8	HK 2216	21.0	BK 2216	24.0
	22	28	20	-	0.8	HK 2220	26.0	-	-

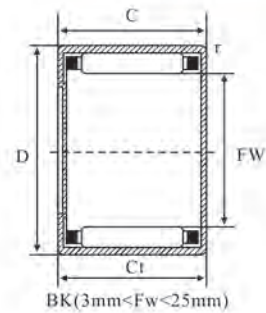
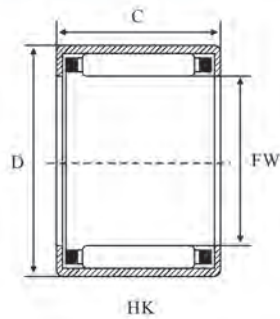
TN=Plastic cage, Limiting working temperature: +120°C (Continuous working)

+Without oil hole

[^] With double-row oil holes are of standard type



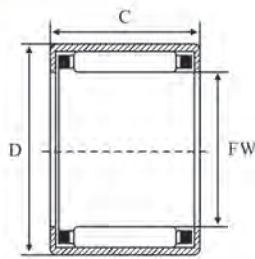
SHELL TYPE NEEDLE ROLLER BEARINGS, OPEN END DESIGN



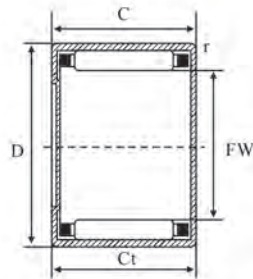
Basic Load Rating (kN)		Limiting Speed r/min	Rotating Speed r/min	Shaft Diameter (mm)
Dynamic C	Static Co			
1.23	0.84	46000	65000	3
1.78	1.31	41000	50000	4
2.40	1.99	38000	42000	5
2.03	1.65	35000	36000	6
2.85	2.60	35000	35000	
3.10	2.95	31000	31000	7
2.75	2.60	28000	27000	8
3.80	3.95	28000	27000	
3.55	3.75	25000	23000	9
4.25	4.65	25000	24000	
5.30	6.30	25000	23000	
4.40	5.10	23000	22000	10
5.50	6.80	23000	21000	
6.80	8.80	23000	21000	
4.95	6.20	20000	18000	12
6.50	7.30	19000	18000	
6.80	7.90	18000	17000	13
7.10	8.50	16000	16000	14
7.90	9.40	16000	14000	15
10.50	14.40	16000	14000	
13.40	19.50	16000	14000	
7.60	9.70	15000	14000	16
10.90	15.30	15000	13000	
13.10	19.40	15000	14000	
7.90	10.30	14000	13000	17
8.10	10.90	13000	12000	18
11.60	17.30	13000	12000	
6.40	8.20	12000	12000	20
8.60	12.10	12000	11000	
12.70	20.10	12000	11000	
15.70	26.00	12000	11000	
21.60	40.00	12000	11000	
7.50	10.50	11000	10000	22
9.10	13.40	11000	10000	
13.40	22.10	11000	10000	
16.50	29.00	11000	10000	



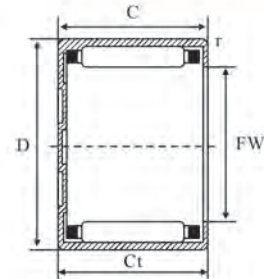
SHELL TYPE NEEDLE ROLLER BEARINGS, OPEN END DESIGN



HK



BK(3mm < Fw < 25mm)



BK(Fw ≥ 25mm)

Shaft Diameter (mm)	Principal dimensions (mm)					Open end design		Closed end design	
	F _w	D	C	Cr min	r min	Bearing Number	Weight g	Bearing Number	Weight g
25	25	32	12	-	0.8	HK 2512	20	-	-
	25	32	16	-	0.8	HK 2516	27	-	-
	25	32	20	17.3	0.8	HK 2520	33	BK 2520	38
	25	32	26	23.3	0.8	HK 2526	44	BK 2526	48
	25	32	38	35.3	0.8	°HK 2538	64	°BK 2538	68
28	28	35	16	-	0.8	HK 2816	29	-	-
	28	35	20	-	0.8	HK 2820	36	-	-
30	30	37	12	9.3	0.8	HK 3012	23	BK 3012	28
	30	37	16	13.3	0.8	HK 3016	31	BK 3016	38
	30	37	20	17.3	0.8	HK 3020	39	BK 3020	47
	30	37	26	23.3	0.8	HK 3026	51	BL 3026	58
	30	37	38	35.3	0.8	°HK 3038	76	°BK 3038	84
35	35	42	12	-	0.8	HK 3512	27	-	-
	35	42	16	-	0.8	HK 3516	36	-	-
	35	42	20	17.3	0.8	HK 3520	44	BK 3520	53
40	40	47	12	-	0.8	HK 4012	30	-	-
	40	47	16	-	0.8	HK 4016	39	-	-
	40	47	20	17.3	0.8	HK 4020	54	BK 4020	62
45	45	52	12	-	0.8	HK 4512	33	-	-
	45	52	16	-	0.8	HK 4516	46	-	-
	45	52	20	17.3	0.8	HK 4520	56	BK 4520	72
50	50	58	20	-	0.8	HK 5020	70	-	-
	50	58	25	-	0.8	HK 5025	90	-	-
55	55	63	20	-	0.8	HK 5520	74	-	-
	55	63	28	-	0.8	HK 5528	105	-	-
60	60	68	12	-	0.8	HK 6012	49	-	-
	60	68	20	-	0.8	HK 6020	81	-	-
	60	68	32	-	0.8	HK 6032	136	-	-

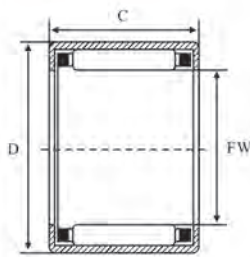
TN=Plastic cage, Limiting working temperature: +120 °C (Continuous working)

+Without oil hole

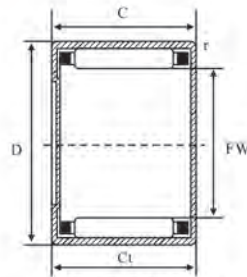
° With double-row oil holes are of standard type



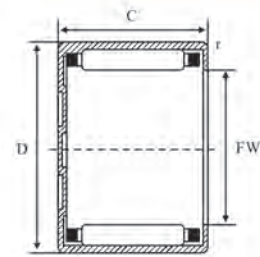
SHELL TYPE NEEDLE ROLLER BEARINGS, OPEN END DESIGN



HK



BK (3mm < FW < 25mm)

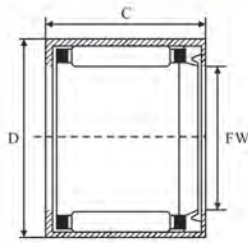


BK (FW ≥ 25mm)

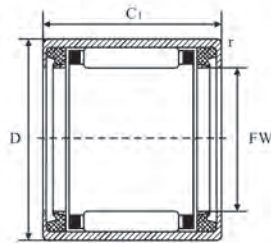
Basic Load Rating(kn)		Limiting Speed r/min	Rotating Speed r/min	Shaft Diameter (mm)
Dynamic C	Static Co			
11.0	15.2	10000	9000	25
15.6	24.0	10000	9000	
19.9	33.0	10000	8500	
25.5	45.0	10000	8500	
34.0	66.0	10000	8500	
16.4	26.5	9000	8000	28
20.9	36.0	9000	8000	
12.1	18.2	8500	7500	30
17.2	29.0	8500	7500	
22.0	39.5	8500	7500	
28.0	54.0	8500	7500	
37.5	79.0	8500	7500	
13.1	21.3	7500	6600	35
18.7	33.5	7500	6500	
23.8	46.0	7500	6500	
14.0	24.3	6500	6000	40
20.0	38.5	6500	6000	
25.5	52.0	6500	5500	
14.9	27.5	6000	5500	45
21.3	43.0	6000	5500	
27.0	59.0	6000	5000	
31.0	63.0	5000	4700	50
38.5	84.0	5000	4700	
31.5	67.0	4700	4400	55
44.0	103.0	4700	4300	
17.4	32.0	4400	4300	60
33.5	75.0	4400	4100	
53.0	135.0	4400	4000	



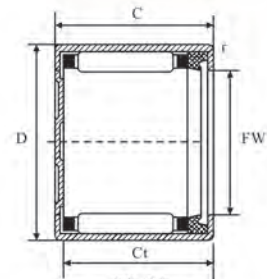
SHELL TYPE NEEDLE ROLLER BEARINGS, OPEN END DESIGN



HK..RS



HK..2RS

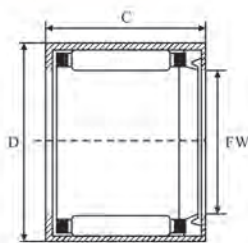


BK..RS

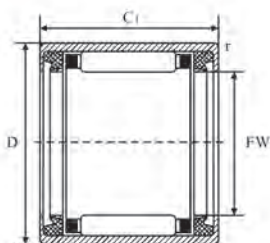
Shaft Diameter (mm)	Principal dimensions(mm)						Open end design				Closed end design	
	F _w	D	C	C _t	C _t min	r min	One side seal number	Weight ≈ g	Two sides seals number	Weight ≈ g	One side seal number	Weight ≈ g
8	8	12	10	12	-	0.4	HK 0810 RS	3	HK 0812.2 RS	3.3	-	-
10	10	14	12	14	-	0.4	HK 1012 RS	4.2	HK 1014.2 RS	4.6	-	-
12	12	18	14	16	-	0.8	HK 1214 RS	10	HK 1216.2 RS	11	-	-
14	14	20	14	16	11.3	0.8	HK 1414 RS	12	HK 1416.2 RS	13	BK 1414 RS	13
15	15	21	14	16	-	0.8	HK 1514 RS	12	HK 1516.2 RS	15	-	-
	15	21	18	20	-	0.8	HK 1518 RS	16	HK 1520.2 RS	18	-	-
16	16	22	14	16	11.3	0.8	HK 1614 RS	13	HK 1616.2 RS	14	BK 1614 RS	15
	16	22	-	20	-	0.8	-	-	HK 1620.2 RS	18	-	-
18	18	24	14	16	-	0.8	HK 1814 RS	14	HK 1816.2 RS	15	-	-
20	20	26	-	16	-	0.8	-	-	HK 2016.2 RS	18	-	-
	20	26	18	20	15.3	0.8	HK 2018 RS	21	HK 2020.2 RS	23	BK 2018 RS	24
22	22	28	14	16	-	0.8	HK 2214 RS	16	HK 2216.2 RS	18	-	-
	22	28	18	20	-	0.8	HK 2218 RS	24	HK 2220.2 RS	26	-	-
25	25	32	-	16	-	0.8	-	-	HK 2516.2 RS	27	-	-
	25	32	18	20	15.3	0.8	HK 2518 RS	29	HK 2520.2 RS	31	BK 2518 RS	34
	25	32	-	24	-	0.8	-	-	HK 2524.2 RS	40	-	-
25	25	32	-	30	-	0.8	-	-	HK 2530.2 RS	47	-	-
	28	35	18	20	-	0.8	HK 2818 RS	31	HK 2820.2 RS	34	-	-
30	30	37	-	16	-	0.8	-	-	HK 3016.2 RS	31	-	-
	30	37	18	20	-	0.8	HK 3018 RS	37	HK 3020.2 RS	36	-	-
30	30	37	-	24	-	0.8	-	-	HK 3024.2 RS	44	-	-
	35	42	-	16	-	0.8	-	-	HK 3516.2 RS	32	-	-
35	35	42	18	20	-	0.8	HK 3518 RS	39	HK 3520.2 RS	41	-	-
	40	47	-	16	-	0.8	-	-	HK 4016.2 RS	37	-	-
40	40	47	18	20	-	0.8	HK 4018 RS	45	HK 4020.2 RS	48	-	-
	45	52	18	20	-	0.8	HK 4518 RS	50	HK 4520.2 RS	54	-	-
50	50	58	22	24	-	0.8	HK 5022 RS	76	HK 5024.2 RS	81	-	-



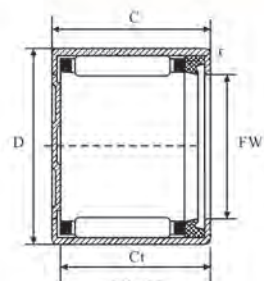
SHELL TYPE NEEDLE ROLLER BEARINGS, OPEN END DESIGN



HK..RS



HK..2RS

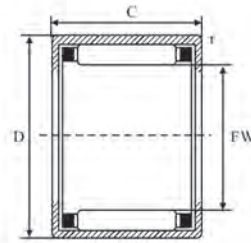


BK..RS

Basic Load Rating(kN)		Limiting Speed r/min	Shaft Diameter (mm)
Dynamic C	Static Co		
2.75	2.6	20000	8
4.40	5.1	17000	10
6.50	7.3	14000	12
7.10	8.5	12000	14
7.80	9.8	11000	15
10.50	14.4	11000	16
7.60	9.7	11000	
10.90	15.3	11000	18
8.10	10.9	9500	
8.60	12.1	8500	20
12.70	20.1	8500	
9.10	13.4	8000	22
13.40	22.1	8000	
11.00	15.2	7000	25
15.60	24.0	7000	
19.90	33.0	7000	
25.50	45.0	7000	
16.40	26.5	6000	28
12.10	18.2	6000	
17.20	29.0	6000	30
22.00	39.5	6000	
13.10	21.3	5000	35
18.70	33.5	5000	
14.00	24.3	4500	40
20.00	38.5	4500	
21.30	43.0	4000	
31.00	63.0	3600	50



NEEDLE ROLLER BEARINGS WITHOUT INNER RING



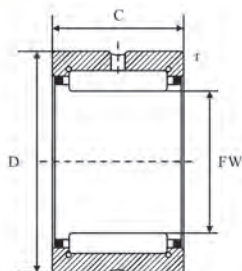
HK(Fw≤10mm)

Shaft Diameter (mm)	Principal dimensions(mm)				Bearing Number				Basic Load Rating(kN)		Limiting Speed r/min	Rotating Speed r/min
	F _r	D	C	r _{min}	NK	RNA 49	RNA 69	Weight g	Dynamic C	Static Co		
5	5	10	10	0.15	+ NK 5/10 TN	-	-	3.1	2.3	1.92	37000	65000
	5	10	12	0.15	+ NK 5/12 TN	-	-	3.7	3.0	2.65	37000	65000
6	6	12	10	0.15	+ NK 6/10 TN	-	-	4.7	2.6	2.28	33000	55000
	6	12	12	0.15	+ NK 6/12 TN	-	-	5.7	3.3	3.15	33000	55000
7	7	14	10	0.30	+ NK 7/10 TN	-	-	6.9	2.8	2.65	31000	50000
	7	14	12	0.30	+ NK 7/12 TN	-	-	8.2	3.6	3.60	31000	49000
8	8	15	12	0.30	+ NK 8/12 TN	-	-	8.7	3.9	4.10	29000	43000
	8	15	16	0.30	+ NK 8/16 TN	-	-	12.0	5.1	5.80	29000	42000
9	9	16	12	0.30	+ NK 9/12 TN	-	-	10.3	4.5	5.00	28000	37000
	9	16	16	0.30	+ NK 9/16 TN	-	-	12.8	5.9	7.10	28000	37000
10	10	17	12	0.30	+ NK 10/12 TN	-	-	10.1	4.7	5.50	27000	34000
	10	17	16	0.30	+ NK 10/16 TN	-	-	13.3	6.2	7.80	27000	33000
12	12	19	12	0.30	NK 12/12	-	-	12.1	6.4	7.10	25000	26000
	12	19	16	0.30	NK 12/16	-	-	15.9	9.0	11.00	25000	25000
14	14	22	16	0.30	NK 14/16	-	-	20.7	10.1	11.50	24000	22000
	14	22	20	0.30	NK 14/20	-	-	25.5	12.8	15.80	24000	21000
	14	22	13	0.30	-	RNA 4900	-	16.5	8.5	9.20	25000	21000
15	15	23	16	0.30	NK 15/16	-	-	21.8	10.7	12.70	23000	20000
	15	23	20	0.30	NK 15/20	-	-	26.6	13.5	17.40	23000	20000
16	16	24	16	0.30	NK 16/16	-	-	22.4	11.3	13.90	22000	19000
	16	24	20	0.30	NK 16/20	-	-	28.4	14.4	18.80	22000	19000
	16	24	13	0.30	-	RNA 4901	-	17.4	9.4	10.90	24000	18000
17	16	24	22	0.30	-	-	RNA 6901	31.0	16.0	21.60	22000	17000
	17	25	16	0.30	NK 17/16	-	-	23.7	11.9	15.00	22000	18000
	17	25	20	0.30	NK 17/20	-	-	29.8	15.1	20.40	22000	17000
18	18	26	16	0.30	NK 18/16	-	-	24.9	12.5	16.20	21000	17000
	18	26	20	0.30	NK 18/20	-	-	31.4	15.8	22.00	21000	17000
19	19	27	16	0.30	NK 19/16	-	-	26.1	13.0	17.40	21000	16000
	19	27	20	0.30	NK 19/20	-	-	32.2	16.5	23.60	21000	16000

TN=Plastic cage, Limiting working temperature: +120°C (Continuous working)
 +With rib, without oil hole and oil groove



NEEDLE ROLLER BEARINGS WITHOUT INNER RING

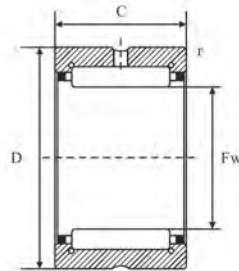


NK (FW ≥ 12mm)
 NKS
 RNA49, RNA69 (FW ≤ 35mm)

Shaft Diameter (mm)	Principal dimensions (mm)				Bearing Number					Basic Load Rating (kN)		Limiting Speed r/min	Rotating Speed r/min
	F _w	D	C	r min	NK	RNA 49	RNA 69	NKS	Weight g	C	C ₀		
20	20	28	16	0.3	NK 20/16	-	-	-	27.0	13.0	17.5	20000	15000
	20	28	20	0.3	NK 20/20	-	-	-	33.9	16.4	23.8	20000	15000
	20	28	13	0.3	-	RNA 4902	-	-	21.7	10.6	13.6	22000	14000
	20	28	23	0.3	-	-	RNA 6902	-	39.7	17.3	25.5	20000	14000
	20	32	20	0.6	-	-	-	NKS 20	48.7	23.0	25.0	19000	14000
21	21	29	16	0.3	NK 21/16	-	-	-	28.1	13.5	18.7	20000	15000
	21	29	20	0.3	NK 21/20	-	-	-	35.2	17.1	25.5	20000	14000
22	22	30	16	0.3	NK 22/16	-	-	-	30.0	14.0	19.9	19000	14000
	22	30	20	0.3	NK 22/20	-	-	-	37.0	17.7	27.0	19000	14000
	22	30	13	0.3	-	RNA 4903	-	-	22.2	11.0	14.6	21000	13000
	22	30	23	0.3	-	-	RNA 6903	-	42.4	18.6	29.0	19000	12000
	22	35	20	0.6	-	-	-	NKS 22	61.5	24.5	28.0	17000	13000
24	24	32	16	0.3	NK 24/16	-	-	-	31.9	15.0	22.3	18000	13000
	24	32	20	0.3	NK 24/20	-	-	-	40.0	19.0	30.5	18000	13000
	24	37	20	0.6	-	-	-	NKS 24	65.5	26.0	31.0	16000	12000
25	25	33	16	0.3	NK 25/16	-	-	-	32.6	14.9	22.4	17000	12000
	25	33	20	0.3	NK 25/20	-	-	-	42.0	18.8	30.5	17000	12000
	25	37	17	0.3	-	RNA 4904	-	-	52.3	21.0	25.5	17000	12000
	25	37	30	0.3	-	-	RNA 6904	-	100.0	36.0	51.0	16000	11000
	25	38	20	0.6	-	-	-	NKS 25	68.1	27.5	33.5	16000	11000
26	26	34	16	0.3	NK 26/16	-	-	-	34.0	15.3	23.6	16000	12000
	26	34	20	0.3	NK 26/20	-	-	-	42.0	19.4	32.0	16000	12000
28	28	37	20	0.3	NK 28/20	-	-	-	52.2	22.0	34.0	15000	11000
	28	37	30	0.3	NK 28/30	-	-	-	82.0	33.0	57.0	15000	11000
	28	39	17	0.3	-	RNA 49/22	-	-	50.2	22.8	29.5	16000	10000
	28	39	30	0.3	-	-	RNA 69/22	-	98.0	37.5	55.0	15000	10000
	28	42	20	0.6	-	-	-	NKS 28	83.6	28.5	36.5	14000	10000
29	29	38	20	0.3	NK 29/20	-	-	-	53.7	21.9	34.0	15000	11000
	29	38	30	0.3	NK 29/30	-	-	-	84.3	32.5	57.0	15000	10000
30	30	40	20	0.3	NK 30/20	-	-	-	65.0	22.6	36.0	14000	10000
	30	40	30	0.3	NK 30/30	-	-	-	97.9	33.5	60.0	14000	10000
	30	42	17	0.3	-	RNA 4905	-	-	61.0	23.6	31.5	15000	9500
	30	42	30	0.3	-	-	RNA 6905	-	112.0	39.0	59.0	14000	9000
	30	45	22	0.6	-	-	-	NKS 30	104.0	32.0	40.0	13000	10000
32	32	42	20	0.3	NK 32/20	-	-	-	68.0	23.1	37.5	13000	10000
	32	42	30	0.3	NK 32/30	-	-	-	102.0	34.5	63.0	13000	9500
	32	45	17	0.3	-	RNA 49/28	-	-	73.2	24.4	33.5	13000	9000
	32	45	30	0.3	-	-	RNA 69/28	-	735	40.5	63.0	13000	8500
	32	47	22	0.6	-	-	-	NKS 32	110.0	33.5	43.5	12000	9500



NEEDLE ROLLER BEARINGS WITHOUT INNER RING

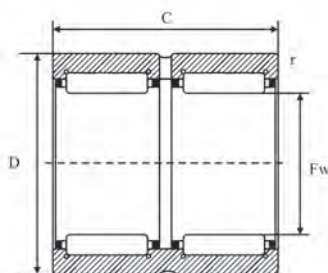


NK.NKS
RNA49
RNA69($F_w \leq 35\text{mm}$)

Shaft Diameter (mm)	Principal dimensions(mm)				Bearing Number					Basic Load Rating(kN)		Limiting Speed r/min	Rotating Speed r/min
	F_w	D	C	r min	NK	RNA 49	RNA 69	NKS	Weight g	C	Co		
35	35	45	20	0.3	NK 35/20	-	-	-	73.8	24	41	12000	9000
	35	45	30	0.3	NK 35/30	-	-	-	112.0	36	69	12000	9000
	35	47	17	0.3	-	RNA 4906	-	-	69.4	25	35	13000	8000
	35	47	30	0.3	-	-	RNA 6906	-	126.0	43	71	12000	7500
	35	50	22	0.6	-	-	-	NKS 35	118.0	35	47	12000	8500
37	37	47	20	0.3	NK 37/20	-	-	-	77.0	24	43	12000	8500
	37	47	30	0.3	NK 37/30	-	-	-	113.0	37	73	12000	8500
	37	52	22	0.6	-	-	-	NKS 37	123.0	36	50	11000	8500
38	38	48	20	0.3	NK 38/20	-	-	-	79.4	25	45	11000	8500
	38	48	30	0.3	NK 38/30	-	-	-	116.0	38	76	11000	8000
40	40	50	20	0.3	NK 40/20	-	-	-	82.7	26	47	11000	8000
	40	50	30	0.3	NK 40/30	-	-	-	125.0	39	79	11000	8000
	40	52	20	0.6	-	RNA 49/32	-	-	89.1	30	47	12000	7500
	40	52	36	0.6	-	-	RNA 69/32	-	162.0	47	82	11000	7500
	40	55	22	0.6	-	-	-	NKS 40	129.0	38	54	10000	7500
42	42	52	20	0.3	NK 42/20	-	-	-	85.8	36	49	10000	8000
	42	52	30	0.3	NK 42/30	-	-	-	130.0	39	82	10000	7500
	42	55	20	0.6	-	RNA 4907	-	-	107.0	31	50	11000	7000
	42	55	36	0.6	-	-	RNA 6907	-	193.0	48	86	10000	7000
43	43	53	20	0.3	NK 43/20	-	-	-	86.0	27	51	10000	7500
	43	53	30	0.3	NK 43/30	-	-	-	133.0	40	85	10000	7500
	43	58	22	0.6	-	-	-	NKS 43	139.0	39	57	9500	7500
45	45	55	20	0.3	NK 45/20	-	-	-	91.5	27	53	10000	7500
	45	55	30	0.3	NK 45/30	-	-	-	139.0	41	88	10000	7000
	45	60	22	0.6	-	-	-	NKS 45	145.0	40	60	9500	7000
47	47	57	20	0.3	NK 47/20	-	-	-	94.5	28	56	9500	7000
	47	57	30	0.3	NK 47/30	-	-	-	142.0	43	94	9500	7000
48	48	62	22	0.6	-	RNA 4908	-	-	140.0	43	67	9500	6000
	48	62	40	0.6	-	-	RNA 6908	-	256.0	66	116	9000	6500
50	50	62	25	0.6	NK 50/25	-	-	-	158.0	38	74	9000	6500
	50	62	35	0.6	NK 50/35	-	-	-	221.0	50	106	9000	6500
	50	65	22	1.0	-	-	-	NKS 50	157.0	42	67	8500	6500
52	52	68	22	0.6	-	RNA 4909	-	-	182.0	45	73	8500	6000
	52	68	40	0.6	-	-	RNA 6909	-	338.0	69	127	8000	6000
55	55	68	25	0.6	NK 55/25	-	-	-	180.0	40	82	8000	6000
	55	68	35	0.6	NK 55/35	-	-	-	250.0	53	118	8000	6000
	55	72	22	1.0	-	-	-	NKS 55	221.0	45	74	7500	6000
58	58	72	22	0.6	-	RNA 4910	-	-	163.0	47	80	8000	5000
	58	72	40	0.6	-	-	RNA 6910	-	310.0	73	139	7500	5000



NEEDLE ROLLER BEARINGS WITHOUT INNER RING

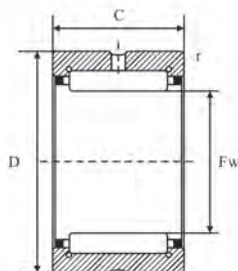


RNA69($F_w \geq 40\text{mm}$)

Shaft Diameter (mm)	Principal dimensions(mm)				Bearing Number					Basic Load Rating(kN)		Limiting Speed r/min	Rotating Speed r/min
	F_w	D	C	r min	NK	RNA 49	RNA 69	NKS	Weight g	C	Co		
60	60	72	25	0.6	NK 60/25	-	-	-	185	42	90	7500	5500
	60	72	35	0.6	NK 60/35	-	-	-	258	56	130	7500	5500
	60	80	28	1.1	-	-	-	NKS 60	335	63	98	7000	5500
63	63	80	25	1.0	-	RNA 4911	-	-	255	58	100	7500	4900
	63	80	45	1.0	-	-	RNA 6911	-	470	90	176	7000	4900
65	65	78	25	0.6	NK 65/25	-	-	-	221	44	98	7000	5500
	65	78	35	0.6	NK 65/35	-	-	-	310	59	142	7000	5500
	65	85	28	1.1	-	-	-	NKS 65	356	67	108	6500	5000
68	68	82	25	0.6	NK 68/25	-	-	-	241	43	89	6500	5500
	68	82	35	0.6	NK 68/35	-	-	-	338	62	139	6500	5000
	68	85	25	1.0	-	RNA 4912	-	-	275	60	108	7000	4500
	68	85	45	1.0	-	-	RNA 6912	-	488	94	191	6500	4500
70	70	85	25	0.6	NK 70/25	-	-	-	260	44	92	6500	5000
	70	85	35	0.6	NK 70/35	-	-	-	370	63	144	6500	5000
	70	90	28	1.1	-	-	-	NKS 70	380	68	113	6000	4900
72	72	90	25	1.0	-	RNA4913	-	-	312	61	112	6500	4300
	72	90	45	1.0	-	-	RNA 6913	-	580	95	198	6000	4300
73	73	90	25	1.0	NK 73/25	-	-	-	302	53	100	6000	4900
	73	90	35	1.0	NK 73/35	-	-	-	428	75	156	6000	4700
75	75	92	25	1.0	NK 75/25	-	-	-	315	54	104	6000	4800
	75	92	35	1.0	NK 75/35	-	-	-	445	77	162	6000	4600
	75	95	28	1.1	-	-	-	NKS75	402	71	123	6000	4600
80	80	95	25	1.0	NK 80/25	-	-	-	301	56	119	5500	4400
	80	95	35	1.0	NK 80/35	-	-	-	425	75	184	5500	4300
	80	100	30	1.0	-	RNA 4914	-	-	460	84	156	6000	4000
	80	100	54	1.0	-	-	RNA 6914	-	857	128	265	5500	3900
85	85	105	25	1.0	NK 85/25	-	-	-	425	69	123	5000	4200
	85	105	35	1.0	NK 85/35	-	-	-	600	98	193	5000	4000
	85	105	30	1.0	-	RNA 4915	-	-	489	86	162	5500	3800
	85	105	54	1.0	-	-	RNA 6915	-	935	130	275	5000	3600
90	90	110	25	1.0	NK 90/25	-	-	-	450	72	132	4900	4000
	90	110	35	1.0	NK 90/35	-	-	-	630	103	208	4900	3800
	90	110	30	1.0	-	RNA 4916	-	-	516	89	174	5000	3500
	90	110	54	1.0	-	-	RNA 6916	-	987	135	300	4900	3300
95	95	115	26	1.0	NK 95/26	-	-	-	490	73	137	4700	3900
	95	115	36	1.0	NK 95/36	-	-	-	680	107	223	4700	3700



NEEDLE ROLLER BEARINGS WITHOUT INNER RING

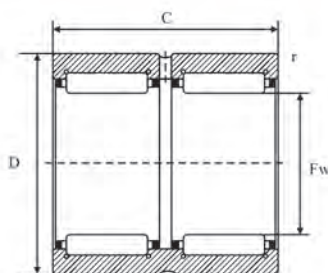


NK
RNA49, RNA48

Shaft Diameter (mm)	Principal dimensions(mm)				Bearing Number				Basic Load Rating (kN)		Limiting Speed r/min	Rotating Speed r/min
	F _w	D	C	r min	NK	RNA 49	RNA 69	Weight ≈ g	Dynamic C	Static C ₀		
100	100	120	26	1.0	NK 100/26	-	-	515	76	146	4500	3700
	100	120	36	1.0	NK 100/36	-	-	715	111	237	4500	3500
	100	120	35	1.1	-	RNA 4917	-	657	111	237	4800	3300
	100	120	63	1.1	-	-	RNA 6917	1200	166	400	4500	2900
105	105	125	26	1.0	NK 105/26	-	-	540	78	155	4300	3600
	105	125	36	1.0	NK 105/36	-	-	713	114	250	4300	3400
	105	125	35	1.1	-	RNA 4918	-	745	114	250	4600	3100
	105	125	63	1.1	-	-	RNA 6918	1330	172	425	4300	2700
110	110	130	30	1.1	NK 110/30	-	-	650	98	210	4100	3300
	110	130	40	1.1	NK 110/40	-	-	830	127	290	4100	3100
	110	130	35	1.1	-	RNA 4919	-	719	116	260	4400	2900
	110	130	63	1.1	-	-	RNA 6919	1460	174	440	4100	2600



NEEDLE ROLLER BEARINGS WITHOUT INNER RING

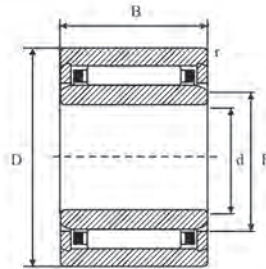


RNA69

Shaft Diameter (mm)	Principal dimensions (mm)				Bearing Number			Basic Load Rating (kN)		Limiting Speed r/min	Rotating Speed r/min
	Fw	D	C	r min	RNA 49	RNA 48	Weight ≈ g	Dynamic C	Static Co		
115	115	140	40	1.1	RNA 4920	-	1150	128	270	4100	2900
120	120	140	30	1.0	-	RNA 4822	670	94	216	3800	2700
125	125	150	40	1.1	RNA 4922	-	1240	132	290	3800	2600
130	130	150	30	1.0	-	RNA 4824	730	99	239	3500	2500
135	135	165	45	1.1	RNA 4924	-	1860	181	390	3400	2300
145	145	165	35	1.1	-	RNA 4826	990	118	310	3200	2200
150	150	180	50	1.5	RNA 4926	-	2210	203	470	3200	2100
155	155	175	35	1.1	-	RNA 4828	1050	120	325	3000	2000
160	160	190	50	1.5	RNA 4928	-	2350	209	500	3000	1900
165	165	190	40	1.1	-	RNA 4830	1600	152	400	2800	1900
175	175	200	40	1.1	-	RNA 4832	1700	160	435	2600	1700
185	185	215	45	1.1	-	RNA 4834	2540	185	510	2500	1600
195	195	225	45	1.1	-	RNA 4836	2680	194	550	2300	1500
210	210	240	50	1.5	-	RNA 4838	3210	227	690	2200	1300
220	220	250	50	1.5	-	RNA 4840	3350	230	720	2100	1300
240	240	270	50	1.5	-	RNA 4844	3620	243	790	1900	1100
265	265	300	60	2.0	-	RNA 4848	5400	355	1080	1700	950
285	285	320	60	2.0	-	RNA 4852	5800	370	1160	1600	900
305	305	350	69	2.0	-	RNA 4856	9300	450	1300	1500	850
330	330	380	80	2.1	-	RNA 4860	12700	620	1770	1400	750
350	350	400	80	2.1	-	RNA 4864	13400	630	1850	1300	700
370	370	420	80	2.1	-	RNA 4868	14000	640	1940	1200	650
390	390	440	80	2.1	-	RNA 4872	14800	660	2020	1200	600
415	415	480	100	2.1	-	RNA 4876	26000	1000	2900	1100	500



NEEDLE ROLLER BEARINGS WITHOUT INNER RING



NKI ($d \leq 7\text{mm}$)

Shaft Diameter (mm)	Principal dimensions (mm)						Bearing Number					Basic Load Rating (kN)		Limiting Speed r/min	Rotating Speed r/min
	d	F	D	B	r min	s ¹⁾	NKI	NA 49	NA 69	NKIS	Weight g	C	Co		
5	5	8	15	12	0.3	1.5	+NKI 5/12 TN	-	-	-	11.5	3.95	4.1	32000	38000
	5	8	15	16	0.3	2.0	+NKI 5/16 TN	-	-	-	15.3	5.10	5.8	32000	37000
6	6	9	16	12	0.3	1.5	+NKI 6/12 TN	-	-	-	13.5	4.50	5.0	30000	33000
	6	9	16	16	0.3	2.0	+NKI 6/16 TN	-	-	-	17.4	5.90	7.1	30000	33000
7	7	10	17	12	0.3	1.5	+NKI 7/12 TN	-	-	-	13.7	4.75	5.5	29000	30000
	7	10	17	16	0.3	2.0	+NKI 7/16 TN	-	-	-	18.2	6.20	7.8	29000	30000
9	9	12	19	12	0.3	1.5	NKI 9/12	-	-	-	16.6	6.40	7.1	27000	24000
	9	12	19	16	0.3	2.0	NKI 9/16	-	-	-	21.9	9.00	11.0	27000	23000
10	10	14	22	16	0.3	0.5	NKI 10/16	-	-	-	29.4	10.10	11.5	25000	19000
	10	14	22	20	0.3	0.5	NKI 10/20	-	-	-	37.1	12.80	15.6	25000	19000
12	10	14	22	13	0.3	0.5	-	NA 4900	-	-	23.0	8.50	9.2	25000	20000
	12	16	24	16	0.3	0.5	NK 12/16	-	-	-	33.3	11.30	13.9	24000	17000
	12	16	24	20	0.3	0.5	NK 12/20	-	-	-	41.9	14.40	18.8	24000	17000
	12	16	24	13	0.3	0.5	-	NA 4901	-	-	26.0	9.40	10.9	24000	17000
15	12	16	24	22	0.3	1.0	-	-	NA 6901	-	46.0	16.00	21.6	24000	16000
	15	19	27	16	0.3	0.5	NK 15/16	-	-	-	38.8	13.00	17.4	22000	14000
	15	19	27	20	0.3	0.5	NK 15/20	-	-	-	48.7	16.50	23.6	22000	14000
	15	20	28	13	0.3	0.5	-	NA 4902	-	-	34.0	10.60	13.6	22000	14000
17	15	20	28	23	0.3	1.0	-	-	NA 6902	-	63.6	17.30	25.5	22000	13000
	15	22	35	20	0.6	0.5	-	-	-	NKIS 15	92.0	24.50	28.0	20000	11000
	17	21	29	16	0.3	0.5	NK 17/16	-	-	-	42.4	13.50	18.7	21000	13000
	17	21	29	20	0.3	0.5	NK 17/20	-	-	-	53.4	17.10	25.5	21000	13000
	17	22	30	13	0.3	0.5	-	NA 4903	-	-	37.0	11.00	14.6	21000	12000
17	17	22	30	23	0.3	1.0	-	-	NA 6903	-	72.0	18.60	29.00	21000	11000
	17	24	37	20	0.6	0.5	-	-	-	NKIS 17	98.0	26.00	31.0	18000	10000

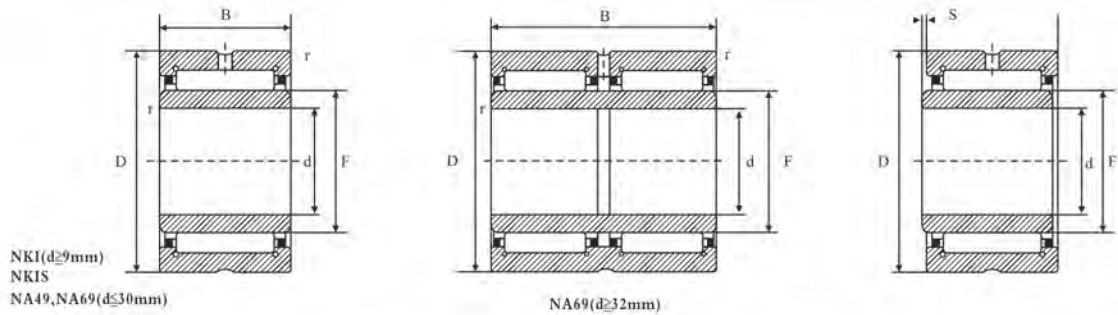
TN=Plastic cage, Limiting working temperature: +120°C (Continuous working)

+With rib, without oil hole and oil groove

¹⁾Allowed axial displacement of inner ring relative to outer ring



NEEDLE ROLLER BEARING WITH INNER RING

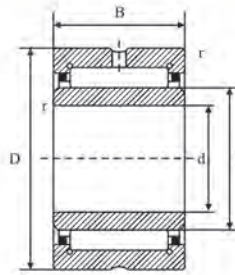


Shaft Diameter (mm)	Principal dimensions (mm)						Bearing Number					Basic Load Rating (kN)		Limiting Speed r/min	Rotating Speed r/min
	d	F	D	B	r min	s ¹⁾	NKI	NA 49	NA 69	NKIS	Weight ≈ g	Dynamic C	Static Co		
20	20	24	32	16	0.3	0.5	NKI 20/16	-	-	-	49	15.0	22.3	19000	12000
	20	24	32	20	0.3	0.5	NKI 20/20	-	-	-	61	19.0	30.5	19000	12000
	20	25	37	17	0.3	0.8	-	NA 4904	-	-	75	21.0	25.5	17000	11000
	20	25	37	30	0.3	1.0	-	-	NA 6904	-	141	36.0	51.0	17000	10000
	20	28	42	20	0.6	0.5	-	-	-	NKIS 20	129	28.5	36.5	16000	9000
22	22	26	34	16	0.3	0.5	NKI 22/16	-	-	-	52	15.3	23.6	18000	11000
	22	26	34	20	0.3	0.5	NKI 22/20	-	-	-	65	19.4	32.0	18000	11000
	22	28	39	17	0.3	0.8	-	NA 49/22	-	-	80	22.8	29.5	16000	9500
	22	28	39	30	0.3	0.5	-	-	NA 69/22	-	150	37.5	55.0	16000	9000
25	25	29	38	20	0.3	1.0	NKI 25/20	-	-	-	79	21.9	34.0	16000	10000
	25	29	38	30	0.3	1.5	NKI 25/30	-	-	-	124	32.5	57.0	16000	9500
	25	25	30	42	17	0.3	0.8	-	NA 4905	-	88	23.6	31.5	15000	9500
	25	25	30	42	30	0.3	1.0	-	-	NA 6905	161	39.0	59.0	15000	9000
28	28	32	47	22	0.6	1.0	-	-	-	NKIS 25	162	33.5	43.5	14000	8500
	28	28	32	42	20	0.3	1.0	NKI 28/20	-	-	96	23.1	37.5	14000	9000
	28	28	32	42	30	0.3	1.5	NKI 28/30	-	-	146	34.5	63.0	14000	9000
	28	28	32	45	17	0.3	0.8	-	NA 49/28	-	97	24.4	33.5	13000	8500
28	28	28	32	45	30	0.3	1.0	-	-	NA 69/28	182	40.5	63.0	13000	8500
	30	30	35	45	20	0.3	0.5	NKI 30/20	-	-	112	24.3	41.5	13000	8500
	30	30	35	45	30	0.3	1.0	NKI 30/30	-	-	170	36.5	69.0	13000	8000
	30	30	35	47	17	0.3	0.8	-	NA 4906	-	101	25.0	35.5	13000	8000
30	30	30	35	47	30	0.3	1.0	-	-	NA 6906	192	43.5	71.0	13000	7500
	30	30	37	52	22	0.6	1.0	-	-	-	184	36.5	50.0	12000	7500
	32	32	37	47	20	0.3	0.5	NKI 32/20	-	-	118	24.9	43.5	12000	8000
	32	32	37	47	30	0.3	1.0	NKI 32/30	-	-	180	37.0	73.0	12000	8000
32	32	32	40	52	20	0.6	0.8	-	NA 49/32	-	158	30.5	47.5	12000	7000
	32	32	40	52	36	0.6	0.5	-	-	NA 69/32	288	47.0	82.0	12000	7000
	35	35	40	50	20	0.3	0.5	NKI 35/20	-	-	127	26.0	47.0	12000	7500
	35	35	40	50	30	0.3	1.0	NKI 35/30	-	-	193	39.0	79.0	12000	7500
35	35	42	55	20	0.6	0.8	-	NA 4907	-	-	170	31.5	50.0	11000	7000
	35	35	42	55	36	0.6	0.5	-	-	NA 6907	310	48.0	86.0	11000	7000
	35	35	43	58	22	0.6	0.5	-	-	-	220	39.0	57.0	11000	6500

¹⁾ Allowed axial displacement of inner ring relative to outer ring



NEEDLE ROLLER BEARING WITH INNER RING



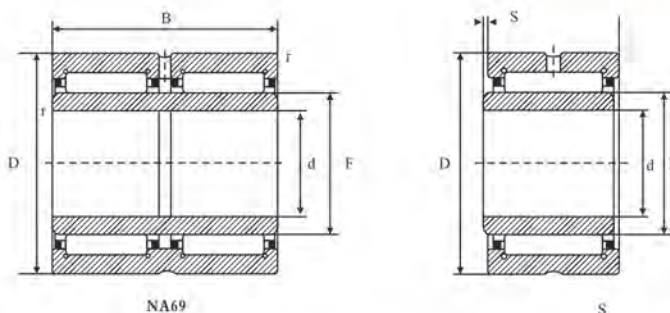
NKI, NKIS
NA49

Shaft Diameter (mm)	Principal dimensions (mm)						Bearing Number					Basic Load Rating (kN)		Limiting Speed r/min	Rotating Speed r/min
	d	F	D	B	r min	s ¹	NKI	NA 49	NA 69	NKIS	Weight g	Dynamic C	Static Co		
38	38	43	53	20	0.3	0.5	NKI 38/20	-	-	-	136	27	51	11000	7000
	38	43	53	30	0.3	1.0	NKI 38/30	-	-	-	207	10	85	11000	7000
40	40	45	55	20	0.3	0.5	NKI 40/20	-	-	-	142	27	83	10000	7000
	40	45	55	30	0.3	1.0	NKI 40/30	-	-	-	216	41	88	1000	6500
	40	48	62	22	0.6	1.0	-	NA 4908	-	-	230	43	67	9500	6000
	40	48	62	40	0.6	0.5	-	-	NA 6908	-	430	66	116	9500	6000
42	40	50	65	22	1.0	0.5	-	-	-	NKIS 40	181	42	67	9500	5500
	42	47	57	20	0.3	0.5	NKI 42/20	-	-	-	148	28	56	10000	6500
	42	47	57	30	0.3	1.0	NKI 42/30	-	-	-	222	43	94	10000	6500
45	45	50	62	25	0.6	1.5	NKI 45/25	-	-	-	229	38	74	9000	6500
	45	50	62	35	0.6	2.0	NKI 45/35	-	-	-	322	50	106	9000	6000
	45	52	68	22	0.6	1.0	-	NA 4909	-	-	271	45	73	85000	5500
50	45	52	68	40	0.6	0.5	-	-	NA 6909	-	495	69	127	85000	5500
	45	55	72	22	1.0	0.5	-	-	-	NKIS 45	336	45	74	85000	5500
	50	55	68	25	0.6	1.5	NKI 50/25	-	-	-	270	40	82	85000	6000
	50	55	68	35	0.6	2.0	NKI 50/35	-	-	-	379	53	118	85000	6000
55	50	58	72	22	0.6	1.0	-	NA 4910	-	-	274	47	80	8000	5000
	50	58	72	40	0.6	0.5	-	-	NA 6910	-	515	73	139	8000	4900
	50	60	80	28	1.1	2.0	-	-	-	NKIS 50	518	63	98	7500	5000
	55	60	72	25	0.6	1.5	NKI 55/25	-	-	-	272	42	90	7500	5500
	55	60	72	35	0.6	2.0	NKI 55/35	-	-	-	379	56	130	7500	5500
60	55	63	80	25	1.0	1.5	-	NA 4911	-	-	393	58	100	7500	4700
	55	63	80	45	1.0	1.5	-	-	NA 6911	-	780	90	176	7500	4700
	55	65	85	28	1.1	2.0	-	-	-	NKIS 55	558	67	108	7000	4700
	60	68	82	25	0.6	1.0	NKI 60/25	-	-	-	394	43	89	7000	4900
	60	68	82	35	0.6	1.0	NKI 60/35	-	-	-	553	62	139	7000	4800
65	60	68	85	25	1.0	1.5	-	NA 4912	-	-	426	60	108	7000	4300
	60	68	85	45	1.0	1.5	-	-	NA 6912	-	808	94	191	7000	4300
	60	70	90	28	1.1	2.0	-	-	-	NKIS 60	560	68	113	6500	4500
	65	73	90	25	1.0	1.0	NKI 65/25	-	-	-	467	53	100	6500	4600
	65	73	90	35	1.0	1.0	NKI 65/35	-	-	-	659	75	156	6500	4400
65	65	72	90	25	1.0	1.5	-	NA 4913	-	-	456	61	112	6500	4100
	65	72	90	45	1.0	1.5	-	-	NA 6913	-	833	95	198	6500	4100
	65	75	95	28	1.1	2.0	-	-	-	NKIS 65	641	71	123	6500	4200

¹) Allowed axial displacement of inner ring relative to outer ring



NEEDLE ROLLER BEARING WITH INNER RING



NA69

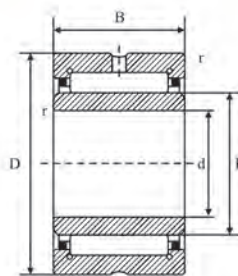
S

Shaft Diameter (mm)	Principal dimensions (mm)						Bearing Number				Basic Load Rating (kN)		Limiting Speed r/min	Rotating Speed r/min
	d	F	D	B	r min	s ¹⁾	NKI	NA 49	NA 69	Weight ≈ g	Dynamic C	Static Co		
70	70	80	95	25	1.0	0.8	NKI 70/25	-	-	521	56	119	6000	4100
	70	80	95	35	1.0	0.8	NKI 70/35	-	-	737	78	184	6000	4000
	70	80	100	30	1.0	1.5	-	NA 4914	-	728	84	156	6000	3800
	70	80	100	54	1.0	1.0	-	-	NA 6914	1340	128	265	6000	3800
75	75	85	105	25	1.0	1.0	NKI 75/25	-	-	641	69	123	5500	3900
	75	85	105	35	1.0	1.0	NKI 75/35	-	-	908	98	193	5500	3800
	75	85	105	30	1.0	1.5	-	NA 4915	-	775	86	162	5500	3600
80	75	85	105	54	1.0	1.0	-	-	NA 6915	1450	130	275	5500	3500
	80	90	110	25	1.0	1.0	NKI 80/25	-	-	677	72	132	5000	3700
	80	90	110	35	1.0	1.0	NKI 80/35	-	-	959	103	208	5000	3600
	80	90	110	30	1.0	1.5	-	NA 4916	-	878	89	174	5000	3400
85	80	90	110	54	1.0	1.0	-	-	NA 6916	1522	135	300	5000	3200
	85	95	115	26	1.0	1.5	NKI 85/26	-	-	743	73	137	4900	3600
	85	95	115	36	1.0	1.5	NKI 85/36	-	-	1040	107	223	4900	3400
	85	100	120	35	1.1	1.0	-	NA 4917	-	1250	111	237	4800	3100
90	85	100	120	63	1.1	1.0	-	-	NA 6917	2200	166	400	4800	2800
	90	100	120	26	1.0	1.5	NKI 90/26	-	-	778	76	146	4700	3500
	90	100	120	36	1.0	1.5	NKI 90/36	-	-	1090	111	237	4700	3300
	90	105	125	35	1.1	1.0	-	NA 4918	-	1312	114	250	4600	3000
95	90	105	125	63	1.1	1.0	-	-	MA 6918	2310	172	425	4600	2600
	95	105	125	26	1.0	1.5	NKI 95/26	-	-	816	78	155	4500	3300
	95	105	125	36	1.0	1.5	NKI 95/36	-	-	1145	114	250	4500	3200
	95	110	130	35	1.1	1.0	-	NA 4919	-	1371	116	260	4400	2800
	95	110	130	63	1.1	1.0	-	-	NA 6919	2500	174	440	4400	2500

¹⁾ Allowed axial displacement of inner ring relative to outer ring



NEEDLE ROLLER BEARING WITH INNER RING



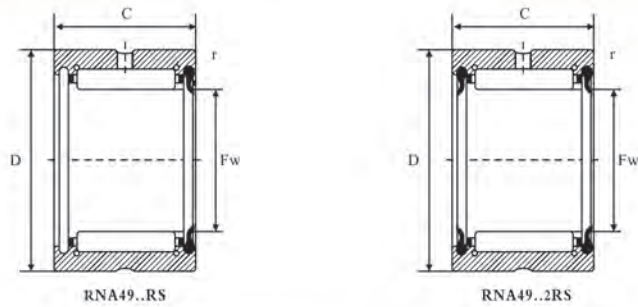
NKI
NA49,NA48

Shaft Diameter (mm)	Principal dimensions (mm)						Bearing Number				Basic Load Rating (kN)		Limiting Speed r/min	Rotating Speed r/min
	d	F	D	B	r min	s ¹	NKI	NA 49	NA 48	Weight ≈ g	Dynamic C	Static Co		
100	100	110	130	30	1.1	1.5	NKI 100/30	-	-	990	98	210	4300	3100
	100	110	130	40	1.1	2.0	NKI 100/40	-	-	1330	127	290	4300	3000
	100	115	140	40	1.1	2.0	-	NA 4920	-	1900	128	270	4100	2900
110	110	125	150	40	1.1	2.0	-	NA 4922	-	2070	132	290	3800	2600
	110	120	140	30	1.0	0.8	-	-	NA 4822	1080	94	216	3900	2700
120	120	135	165	45	1.1	2.0	-	NA 4924	-	2860	181	390	3400	2300
	120	130	150	30	1.0	0.8	-	-	NA 4824	1170	99	239	3600	2400
130	130	150	180	50	1.5	1.5	-	NA 4926	-	3900	203	470	3200	2000
	130	145	165	35	1.1	1.0	-	-	NA 4826	1810	118	310	3300	2100
140	140	160	190	50	1.5	1.5	-	NA 4928	-	4150	209	500	3000	1800
	140	155	175	35	1.1	1.0	-	-	NA 4828	1920	120	325	3100	2000
150	150	165	190	40	1.1	1.5	-	-	NA 4830	2720	152	400	2900	1800
160	160	175	200	40	1.1	1.5	-	-	NA 4832	2890	160	435	2700	1700
170	170	185	215	45	1.1	1.5	-	-	NA 4834	3960	185	510	2500	1600
180	180	195	225	45	1.1	1.5	-	-	NA 4836	4200	194	550	2400	1500
190	190	210	240	50	1.5	1.5	-	-	NA 4838	5610	227	690	2300	1300

¹) Allowed axial displacement of inner ring relative to outer ring



NEEDLE ROLLER BEARING WITHOUT INNER RING, WITH SEALS

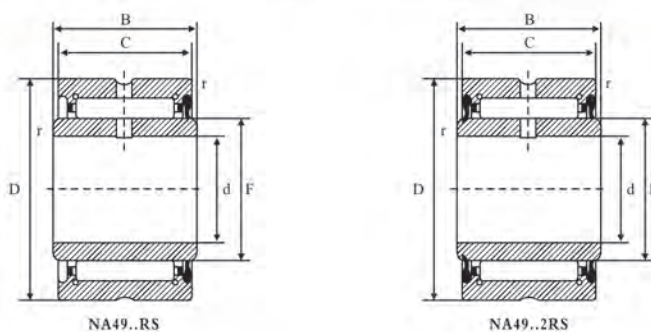


Shaft Diameter (mm)	Principal dimensions (mm)				Bearing Number			Basic Load Rating (kN)		Limiting ¹⁾ Speed r/min
	Fw	D	C	r min	RNA49..RS One side seal	RNA49..2RS Two side seals	Weight ≈ g	Dynamic C	Static Co	
14	14	22	13	0.3	RNA 4900 RS	RNA 4900 2RS	16	6.8	6.9	13000
16	16	24	13	0.3	RNA 4901 RS	RNA 4901 2RS	18	7.6	8.3	12000
20	20	28	13	0.3	RNA 4902 RS	RNA 4902 2RS	21	8.6	10.3	10000
22	22	30	13	0.3	RNA 4903 RS	RNA 4903 2RS	23	8.8	11.0	9000
25	25	37	14	0.3	RNA 4904 RS	RNA 4904 2RS	56	17.3	19.9	7500
30	30	42	14	0.3	RNA 4905 RS	RNA 4905 2RS	60	19.3	24.2	6500
35	35	47	14	0.3	RNA 4906 RS	RNA 4906 2RS	69	21.1	28.5	5500
42	42	55	20	0.6	RNA 4907 RS	RNA 4907 2RS	107	26.5	39.5	4800
48	48	62	22	0.6	RNA 4908 RS	RNA 4908 2RS	154	36.0	53.0	4200
52	52	68	22	0.6	RNA 4909 RS	RNA 4909 2RS	157	38.0	59.0	3900
58	58	72	22	0.6	RNA 4910 RS	RNA 4910 2RS	160	40.0	64.0	3500

¹⁾ Limiting speed with grease lubrication



NEEDLE ROLLER BEARING WITHOUT INNER RING, WITH SEALS

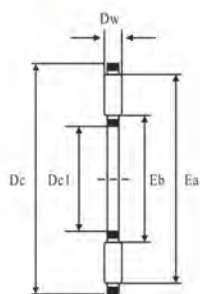


Shaft Diameter (mm)	Principal dimensions (mm)					Bearing Number			Basic Load Rating (kN)		Limiting ¹⁾ Speed r/min
	d	F	D	C	r min	RNA49..RS One side seal	RNA49..2RS Two side seals	Weight ≈ g	Dynamic C	Static Co	
10	10	14	22	13	0.3	NA 4900 RS	NA 4900 2RS	24.5	6.8	6.9	13000
12	12	16	24	13	0.3	NA 4901 RS	NA 4901 2RS	27.5	7.6	8.3	12000
15	15	20	28	13	0.3	NA 4902 RS	NA 4902 2RS	37.0	8.6	10.3	10000
17	17	22	30	13	0.3	NA 4903 RS	NA 4903 2RS	40.0	8.8	11.0	9000
20	20	25	37	17	0.3	NA 4904 RS	NA 4904 2RS	80.0	17.3	19.9	7500
25	25	30	42	17	0.3	NA 4905 RS	NA 4905 2RS	89.5	19.3	24.2	6500
30	30	35	47	17	0.3	NA 4906 RS	NA 4906 2RS	104.0	21.1	28.5	5500
35	35	42	55	20	0.6	NA 4907 RS	NA 4907 2RS	175.0	26.5	39.5	4800
40	40	48	62	22	0.6	NA 4908 RS	NA 4908 2RS	252.0	36.0	53.0	4200
45	45	52	68	22	0.6	NA 4909 RS	NA 4909 2RS	290.0	38.0	59.0	3900
50	50	58	72	22	0.6	NA 4910 RS	NA 4910 2RS	295.0	40.0	64.0	3500

¹⁾ Limiting speed with grease lubrication



THRUST NEEDLE ROLLER BEARINGS AND CAGE ASSEMBLING /THRUST BEARING WASHER



AXK

Form size · size unit:(mm)								
Shaft Diameter (mm)	Thrust needle roller bearings and cage assembly		Thrust bearing washer					
	Bearing Number	Weight ≈ g	Bearing washer number	Weight ≈ g	Shaft washer number	Housing washer number	Thrust bearing washer number	Weight ≈ g
4	AXK 0414 TN	0.7	AS 0414	1	-	-	-	-
5	AXK 0515 TN	0.8	AS 0515	1	-	-	-	-
6	AXK 0619 TN	1.0	AS 0619	2	LS 0619	-	-	4
8	AXK 0821 TN	2.0	AS 0821	2	LS 0821	-	-	4
10	AXK 1024	3.0	AS 1024	3	LS 1024	-	-	7
12	AXK 1226	3.0	AS 1226	3	LS 1226	-	-	8
15	AXK 1528	4.0	AS 1528	3	LS 1528	GS 81102	WS 81102	9
17	AXK 1730	4.0	AS 1730	4	LS 1730	GS 81103	WS 81103	9
20	AXK 2035	5.0	AS 2035	5	LS 2035	GS81104	WS 81104	13
25	AXK 2542	7.0	AS 2542	7	LS 2542	GS 81105	WS 81105	19
30	AXK 3047	8.0	AS 3047	8	LS 3047	GS 81106	WS 81106	22
35	AXK 3552	10.0	AS 3552	9	LS 3552	GS 81107	WS 81107	29
40	AXK 4060	16.0	AS 4060	12	LS 4060	GS 81108	WS 81108	40
45	AXK 4565	18.0	AS 4565	13	LS 4565	GS 81109	WS 81109	50
50	AXK 5070	20.0	AS 5070	14	LS 5070	GS 81110	WS 81110	55
55	AXK 5578	28.0	AS 5578	18	LS 5578	GS 81111	WS 81111	88
60	AXK 6085	33.0	AS 6085	22	LS 6085	GS 81112	WS 81112	97
65	AXK 6090	35.0	AS 6590	24	LS 6590	GS 81113	WS 81113	115
70	AXK 7095	60.0	AS 7095	25	LS 7095	GS 81114	WS 81114	123
75	AXK 75100	61.0	AS 75100	27	LS 75100	GS 81115	WS 81115	142
80	AXK 80105	63.0	AS 80105	28	LS 80105	GS 81116	WS 81116	151
85	AXK 85110	67.0	AS 85110	29	LS 85110	GS 81117	WS 81117	159
90	AXK 80120	86.0	AS 90120	39	LS 90120	GS 81118	WS 81118	234
100	AXK 100135	104.0	AS 100135	50	LS 100135	GS 81120	WS 81120	250
110	AXK 110145	122.0	AS 110145	55	LS 110145	GS 81122	WS 81122	385
120	AXK 120155	131.0	AS 120155	59	LS 120155	GS 81124	WS 81124	415
130	AXK 130170	205.0	AS 130170	65	LS 130170	GS 81126	WS 81126	663
140	AXK 140180	219.0	AS 140180	79	LS 140180	GS 81128	WS 81128	749
150	AXK 150190	323.0	AS 150190	84	LS150190	GS 81130	WS 81130	796
160	AXK 160200	246.0	AS 160200	89	LS 160200	GS 81132	WS 81132	842

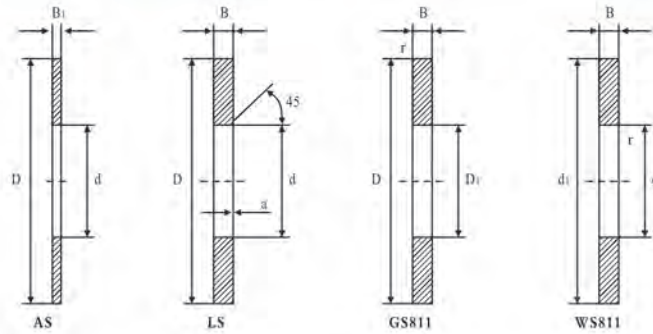
TN=Plastic cage, Limiting working temperature: +120 °C (Continuous working)

1) With double-row oil holes are of standard type

Allowed limiting speed bygrease lubrication is 25% of the limiting speed given in above table.



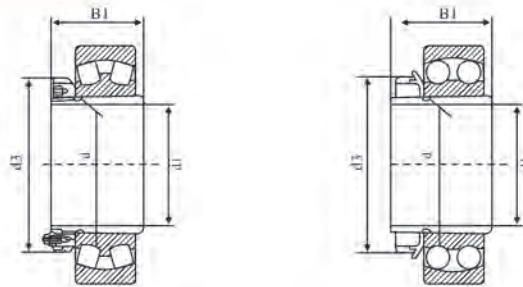
THRUST NEEDLE ROLLER BEARINGS AND CAGE ASSEMBLING /THRUST BEARING WASHER



Principal dimensions (mm)								Raceway sizes		Basic Load Rating (kN)		Limiting Speed ¹⁾ r/min	Rotating Speed r/min
D _{c1} d	D ₁	D _c D	d ₁	D _w	B ₁	B	a r min	E _b	E _a	Dynamic C	Static C ₀		
4	-	14	-	2	1	-	-	5	13	4.4	8	21000	1100
5	-	15	-	2	1	-	-	6	14	4.7	9	21000	9500
6	-	19	-	2	1	2.75	0.3	7	18	6.8	15	19000	8000
8	-	21	-	2	1	2.75	0.3	9	20	7.8	19	18000	6500
10	-	24	-	2	1	2.75	0.3	12	23	9.2	25	17000	5500
12	-	26	-	2	1	2.75	0.3	14	25	9.9	29	15000	4700
15	16	28	28	2	1	2.75	0.3	17	27	11.3	36	13000	3600
17	18	30	30	2	1	2.75	0.3	19	29	11.9	39	12000	3200
20	21	35	35	2	1	2.75	0.3	22	34	13.1	46	10000	3100
25	42	42	42	2	1	3.00	0.6	29	41	14.7	58	8500	2800
30	32	47	47	2	1	3.00	0.6	34	46	16.3	70	7500	2300
35	37	52	52	2	1	3.50	0.6	39	51	17.8	81	6500	2000
40	42	60	60	3	1	3.50	0.6	45	58	28.0	114	6000	1700
45	47	65	65	1	1	4.00	0.6	50	63	30.0	128	5000	1500
50	52	70	70	6	1	4.001	0.6	55	68	32.0	143	4800	1400
55	57	78	78	3	1	5.00	0.6	60	76	38.0	186	4300	1200
60	62	85	85	3	1	4.75	1.0	65	83	44.5	234	4000	1100
65	67	90	90	3	1	5.25	1.0	70	88	46.5	255	3700	1000
70	72	95	95	4	1	5.25	1.0	74	93	54.0	255	3500	1000
75	77	100	100	4	1	5.75	1.0	79	98	55.0	265	3300	950
80	82	105	105	4	1	5.375	1.0	84	103	56.0	280	3100	900
85	87	110	110	4	1	5.75	1.0	98	108	58.0	290	3000	850
90	92	120	120	4	1	6.50	1.0	94	118	73.0	405	2700	750
100	102	135	135	4	1	7.00	1.0	105	133	91.0	560	2500	65
110	112	145	145	4	1	7.00	1.0	115	143	97.0	620	2300	600
120	122	155	155	4	1	7.00	1.0	125	153	102.0	680	2100	550
130	132	170	170	5	1	9.00	1.0	136	167	133.0	840	1900	500
140	142	180	178	5	1	9.50	1.0	146	177	138.0	900	1800	480
150	152	190	188	5	1	9.50	1.0	156	187	143.0	960	1700	440
180	162	200	198	5	1	9.50	1.0	166	197	148.0	1020	1600	420



ADAPTER SLEEVES

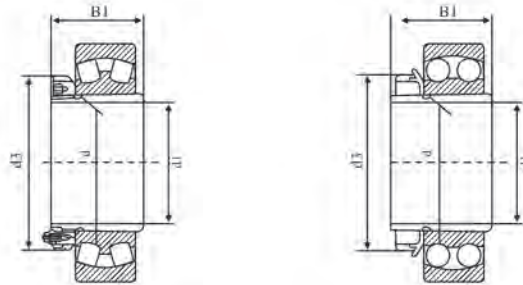


H2 Series

Part Number			Dimensions (mm)				Matched Bearing	Weight kg
Adapters	Locking nut	Locking washer	d	d ₁	B ₁	d ₃	Ball Bearing	
H204	KM4	MB4	20	17	24	32	1204K	0.04
H205	KM5	MB5	25	20	26	38	1205K	0.07
H206	KM6	MB6	30	25	27	45	1206K	0.10
H207	KM7	MB7	35	30	29	52	1207K	0.13
H208	KM8	MB8	40	35	31	58	1208K	0.17
H209	KM9	KMB9	45	40	32	65	1209K	0.23
H210	KM10	MB10	50	45	35	70	1210K	0.27
H211	KM11	MB11	55	50	37	75	1211K	0.31
H212	KM12	MB12	60	55	38	80	1212K	0.35
H213	KM13	MB13	65	60	40	85	1213K	0.40
H214	KM14	MB14	70	60	41	92	1214K	0.55
H215	KM15	MB15	75	65	43	98	1215K	0.71
H216	KM16	MB16	80	70	46	105	1216K	0.88
H217	KM17	MB17	85	75	50	110	1217K	1.02
H218	KM18	MB18	90	80	52	120	1218K	1.19
H219	KM19	MB19	95	85	55	125	1219K	1.37
H220	KM20	MB20	100	90	58	130	1220K	1.49
H222	KM22	MB22	110	100	63	145	1222K	1.93



ADAPTER SLEEVES

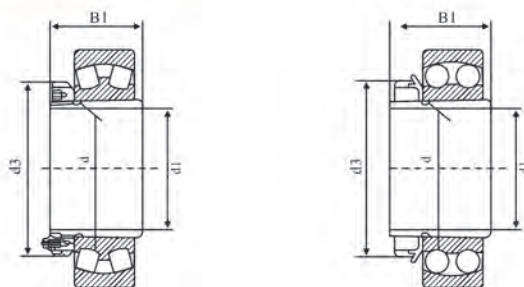


H2 Series

Part Number			Dimensions (mm)				Matched Bearing				Weight kg
Adapters	Locking nut	Locking washer	d	d ₁	B ₁	d ₃	Ball Bearing		Roller Bearing		
H304	KM4	MB4	20	17	28	32	1304K	2204K	21304CK		0.05
H305	KM5	MB5	25	20	29	38	1305K	2205K	21305CK		0.08
H306	KM6	MB6	30	25	31	45	1306K	2206K	21306CK		0.11
H307	KM7	MB7	35	30	35	52	1307K	2207K	21307CK		0.14
H308	KM8	MB8	40	35	36	58	1308K	2208K	21308CK	22208CK	0.19
H309	KM9	KMB9	45	40	39	65	1309K	2209K	21309CK	22209CK	0.25
H310	KM10	MB10	50	45	42	70	1310K	2210K	21310CK	22210CK	0.30
H311	KM11	MB11	55	50	45	75	1311K	2211K	21311CK	22211CK	0.35
H312	KM12	MB12	60	55	47	80	1312K	2213K	21312CK	22212CK	0.39
H313	KM13	MB13	65	60	50	85	1313K	2213K	21313CK	22213CK	0.46
H314	KM14	MB14	70	60	52	92	1314K	2214K	21314CK	22214CK	0.72
H315	KM15	MB15	75	65	55	98	1315K	2215K	21315CK	22215CK	0.83
H316	KM16	MB16	80	70	59	105	1316K	2216K	21316CK	22216CK	1.03
H317	KM17	MB17	85	75	63	110	1317K	2217K	21317CK	22217CK	1.18
H318	KM18	MB18	90	80	65	120	1318K	2218K	21318CK	22218CK	1.37
H319	KM19	MB19	95	85	68	125	1319K	2219K	21319CK	22219CK	1.56
H320	KM20	MB20	100	90	71	130	1320K	2220K	21320CK	22220CK	1.69
H322	KM22	MB22	110	100	77	145	1322K	2222K	21322CK	22222CK	2.18



ADAPTER SLEEVES

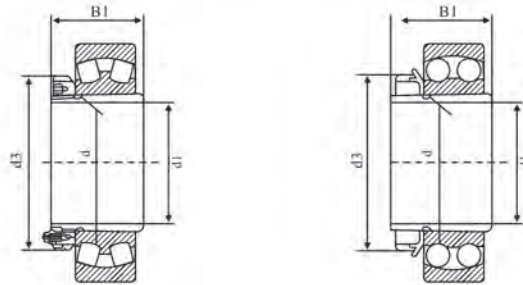


H30 Series

Part Number			Dimensions(mm)				Matched Bearing	Weight kg
Adapters	Locking nut	Locking washer	d	d1	B1	d3	Roller Bearing	
H3024	KML 24	MBL 24	120	110	72	145	23024CK	1.93
H3026	KML 26	MBL 24	130	115	80	155	23026CK	2.85
H3028	KML 28	MBL 28	140	125	82	165	23028CK	3.16
H3030	KML 30	MBL 30	150	135	87	180	23030CK	3.89
H3032	KML 32	MBL 32	160	140	93	190	23032CK	5.21
H3034	KML 34	MBL 34	170	150	101	200	23034CK	5.99
H3036	KML 36	MBL 36	180	160	109	210	23036CK	6.83
H3038	KML 38	MBL 38	190	170	112	220	23038CK	7.45
H3040	KML 40	MBL 40	200	180	120	240	23040CK	9.19
OH3044H	HM 3044	MS 3044	220	200	126	260	23044CK	10.30
OH3048H	HM 3048	MS 3052-48	240	220	133	290	23048CK	13.20
OH3052H	HM 3052	MS 3052-48	260	240	145	310	23052CK	15.30
OH3056H	HM 3056	MS 3056	280	260	152	330	23056CK	17.70
OH3060H	HM 3060	MS 3060	300	280	168	360	23060CK	22.80
OH3064H	HM 3064	MS 3068-64	320	300	171	380	23064CK	24.60
OH3068H	HM 3068	MS 3068-64	340	320	187	400	23068CK	28.70
OH3072H	HM 3072	MS 3072	360	340	188	420	23072CK	30.50
OH3076H	HM 3076	MS 3080-76	380	360	193	450	23076CK	35.80
OH3080H	HM 3080	MS 3080-76	400	380	210	470	23080CK	41.50
OH3084N	HM 3084	MS 3084	420	400	212	490	23084CK	43.60
OH3088H	HM 3088	MS 3092-88	440	410	228	520	23088CK	65.50
OH303092H	HM 3092	MS 3092-88	460	430	234	540	23092CK	69.40
OH3096H	HM 3096	MS 30/500-96	480	450	237	560	23096CK	73.50
OH30/500H	HM 30/500	MS 30/500-96	500	470	247	580	230/500CK	82.00



ADAPTER SLEEVES

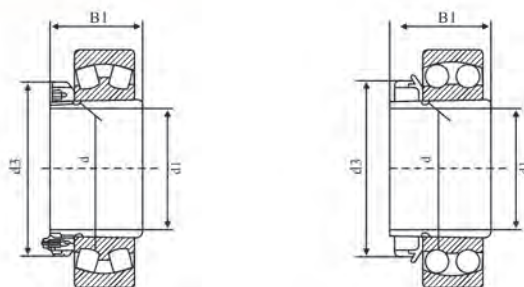


H31 Series

Part Number			Dimensions (mm)				Matched Bearing	Weight kg
Adapters	Locking nut	Locking washer	d	d1	B1	d3	Roller Bearing	
H3120	KM20	MB 20	100	90	76	130	23120CK	1.70
H3122	KM 22	MB 22	110	100	81	145	23122CK 22222CK	2.25
H3124	KM 24	MB 24	120	110	88	155	23124CK 22224CK	2.64
H3126	KM 26	MB 26	130	115	92	165	23126CK 22226CK	3.66
H3128	KM 28	MB 28	140	125	97	180	23128CK 22228CK	4.34
H3130	KM 30	MB 30	150	135	111	195	23130CK 22230CK	5.52
H3132	KM 32	MB 32	160	140	119	210	23132CK 22232CK	7.67
H3134	KM 34	MB 34	170	150	122	220	23134CK 22234CK	8.38
H3136	KM 36	MB 36	180	160	131	230	23136CK 22236CK	9.50
H3138	KM 38	MB 38	190	170	141	240	23138CK 22238CK	10.80
H3140	KM 40	MB 40	200	180	150	250	23140CK 22240CK	12.10
OH3144H	HM 44T	MB 44	220	200	161	280	23144CK 22244CK	14.70
OH3148H	HM 48T	MB 48	240	220	172	300	23148CK 22248CK	17.30
OH3152H	HM 52T	MB 52	260	240	190	330	23152CK 22252CK	22.00
OH3156H	HM 56T	MB 56	280	260	195	350	23156CK 22256CK	24.50
OH3160H	HM 3160	MS 3160	300	280	208	380	23160CK 22260CK	30.20
OH3164H	HM 3164	MS 3164	320	300	226	400	23164CK 22264CK	34.90
OH3168H	HM 3168	MS 3172-68	340	320	254	440	23168CK 22268CK	49.50
OH3172H	HM 3172	MS 3172-68	360	340	259	460	23172CK 22272CK	54.50
OH3176H	HM 3176	MS 3176	380	360	264	490	23176CK 22276CK	61.60
OH3180H	HM 3180	MS 3184-80	400	380	272	520	23180CK 22280CK	70.80
OH3184H	HM 3184	MS 3184-80	420	400	304	540	23184CK 22284CK	84.50
OH3192H	HM 3192	MS 3192-88	460	430	326	580	23192CK 22292CK	116.00
OH3196H	HM 3196	MS 3196	480	450	335	620	23196CK 22296CK	133.00
OH31/500H	HM 31/500	MS 31/500	500	470	356	630	231/500CK 222/500CK	146.00



ADAPTER SLEEVES

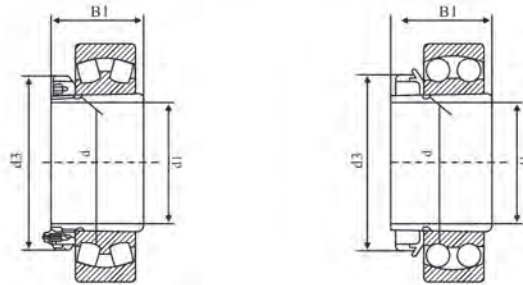


H23 Series

Part Number			Dimensions (mm)				Matched Bearing	Weight kg	
Adapters	Locking nut	Locking washer	d	d1	B1	d3	Roller Bearing		
H2306	KM6	MB6	30	25	38	45	2306K	0.13	
H2307	KM7	MB7	35	30	43	52	2307K	0.17	
H2308	KM8	MB8	40	35	46	58	2308K	22305CK	0.22
H2309	KM9	MB9	45	40	50	65	2309K	22309CK	0.28
H2310	KM10	MB10	50	45	55	70	2310K	22310CK	0.36
H2311	KM11	MB11	55	50	59	75	2311K	22311CK	0.42
H2312	KM12	MB12	60	55	62	80	2312K	22312CK	0.48
H2313	KM13	MB13	65	60	65	85	2313K	22313CK	0.56
H2314	KM14	MB14	70	60	68	92	2314K	22314CK	0.90
H2315	KM15	MB15	75	65	73	98	2315K	22315CK	1.05
H2316	KM16	MB16	80	70	78	105	2316K	22316CK	1.28
H2317	KM17	MB17	85	75	82	110	2317K	22317CK	1.45
H2318	KM18	MB18	90	80	86	120	2318K	22318CK	1.69
H2319	KM19	MB19	95	85	90	125	2319K	22319CK	1.92
H2320	KM20	MB20	100	90	97	130	2320K	22320CK	2.15
H2322	KM22	MB22	110	100	105	145	2322K	22322CK	2.74
H2324	KM24	MB24	120	110	112	155	2324K	22324CK	3.19
H2326	KM26	MB26	130	115	121	165	2326K	22326CK	4.60
H2328	KM28	MB28	140	125	131	180	2328K	22328CK	5.55
H2330	KM30	MB30	150	135	139	195	2330K	22330CK	6.63
H2332	KM32	MB32	160	140	147	210	2332K	22332CK	9.14
H2334	KM34	MB34	170	150	154	220	2334K	22334CK	10.20
H2336	KM36	MB36	180	160	161	230	2336K	22336CK	11.30
H2338	KM38	MB38	190	170	169	240	2338K	22338CK	12.60
H2340	KM40	MB40	200	180	176	250	2340K	22340CK	13.90
OH 2344 H	HM44T	MB44	220	200	186	280	2344K	22344CK	16.70
OH 2348 H	HM48T	MB48	240	220	199	300	2348K	22348CK	19.70
OH 2352 H	HM52T	MB52	260	240	211	330	2352K	22352CK	24.20
OH 2356 H	HM56T	MB56	280	260	224	350	2356K	22356CK	27.80



ADAPTER SLEEVES

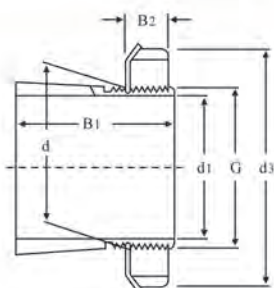


OH32 Series

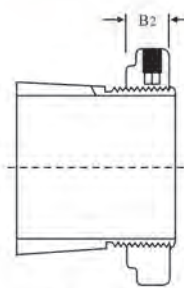
Part Number			Dimensions (mm)				Matched Bearing	Weight kg
Adapters	Locking nut	Locking washer	d	d1	B1	d3	Roller Bearing	
OH 3260 H	HM 3160	MS 3160	300	280	240	380	23260CK	34.00
OH 3264 H	HM 3164	MS 3164	320	300	258	400	23264CK	39.40
OH 3268 H	HM 3168	MS 3172-68	340	320	288	440	23268CK	54.00
OH 3272 H	HM 3172	MS 3172-68	360	340	299	460	23272CK	60.20
OH 3276 H	HM 3176	MS 3176	380	360	310	490	23276CK	69.60
OH 3280 H	HM 3180	MS 3184-80	400	380	328	520	23280CK	81.00
OH 3284 H	HM 3184	MS 3184-80	420	400	352	540	23284CK	94.00
OH 3288 H	HM 3188	MS 3192-88	440	410	361	560	23288CK	118.00
OH 3292 H	HM 3192	MS 3192-88	460	430	382	580	23292CK	132.00
OH 3296 H	HM 3196	MS 3196	480	450	397	620	23294CK	150.00
OH32/500H	HM 31/500	MS 31/500	500	470	428	630	232/500CK	166.00



ADAPTERS-FOR INCH SHAFTS



HA, HE, HS



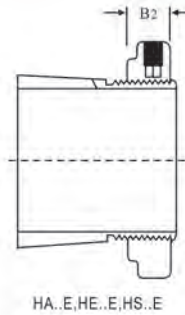
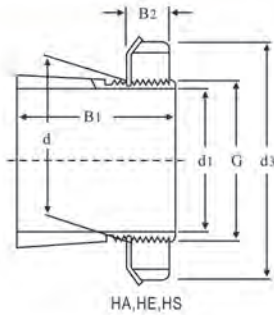
HA..E, HE..E, HS..E

d₁ 3/4-2 3/16 in

d ₁		Dimensions (mm)					Weight kg	Part Number			
in	mm	d	d ₃	B ₁	B ₂	G		Adapters with locking nut and locking washer	Locking washer	Locking nut	
3/4	19.050	25	38	26	8.0	M25×1.5	0.07	HE 205	KM 5	MB 5	
		25	38	29	8.0	M25×1.5	0.08	HE 305	KM 5	MB 5	
		25	38	29	10.5	M25×1.5	0.08	HE 305 E	KMFE 5	-	
		25	38	35	8.0	M25×1.5	0.09	HE 2305	KM 5	MB 5	
7/8	22.225	30	45	27	8.0	M30×1.5	0.11	HS 206	KM 6	MB 6	
		30	45	31	8.0	M30×1.5	0.12	HS 306	KM 6	MB 6	
	23.813	30	45	27	8.0	M30×1.5	0.10	HA 206	KM 6	MB 6	
		30	45	31	8.0	M30×1.5	0.12	HA 306	KM 6	MB 6	
	25.400	30	45	31	10.5	M30×1.5	0.13	HA 306 E	KMFE 6	-	
		30	45	38	8.0	M30×1.5	0.13	HA 2306	KM 6	MB 6	
		30	45	27	8.0	M30×1.5	0.08	HE 206	KM 6	MB 6	
		30	45	31	8.0	M30×1.5	0.10	HE 306	KM 6	MB 6	
		30	45	31	10.5	M30×1.5	0.11	HE 306 E	KMFE 6	-	
		30	45	38	8.0	M30×1.5	0.11	HE 2306	KM 6	MB 6	
28.575	35	52	29	9.0	M35×1.5	0.14	HS 207	KM 7	MB 7		
		52	35	9.0	M35×1.5	0.16	HS 307	KM 7	MB 7		
		52	35	11.5	M35×1.5	0.17	HS 307E	KMFE 7	-		
	30.163	35	52	29	9.0	M35×1.5	0.12	HA 207	KM 7	MB 7	
		35	52	35	9.0	M35×1.5	0.14	HA 307	KM 7	MB 7	
1 1/4	31.750	35	52	35	11.5	M35×1.5	0.15	HA 307 E	KMFE 7	-	
		35	52	43	9.0	M35×1.5	0.16	HA 2307	KM 7	MB 7	
		40	58	31	10.0	M40×1.5	0.19	HE 208	KM 8	MB 8	
		40	58	36	10.0	M40×1.5	0.22	HE 308	KM 8	MB 8	
		40	58	36	13.0	M40×1.5	0.19	HE 308E	KMFE 8	-	
		40	58	46	10.0	M40×1.5	0.28	HE 2308	KM 8	MB 8	
	1 3/8	34.925	40	58	31	10.0	M40×1.5	0.16	HS 208	KM 8	MB 8
			40	58	36	10.0	M40×1.5	0.17	HS 308	KM 8	MB 8
	1 7/16	36.512	45	65	33	11.0	M45×1.5	0.26	HA 209	KM 9	MB 9
			45	65	39	11.0	M45×1.5	0.29	HA 309	KM 9	MB 9
45			65	39	13.0	M45×1.5	0.31	HA 309 E	KMFE 9	-	
45			65	50	11.0	M45×1.5	0.35	HA 2309	KM 9	MB 9	



ADAPTERS-FOR INCH SHAFTS

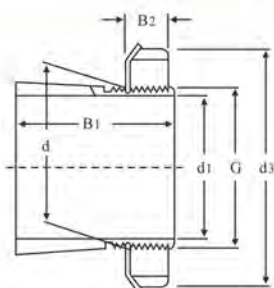


d₁ 3/4-2 3/16 in

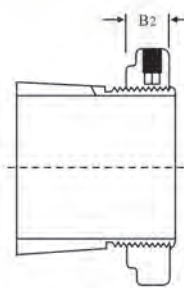
Dimensions (mm)						Weight kg	Part Number			
d ₁		d	d ₃	B ₁	B ₂		G	Adapters with locking nut and locking washer	Locking washer	Locking nut
in	mm									
1 1/2	38.100	45	65	33	11.0	M45×1.5	0.20	HE 209	KM 9	MB 9
		45	65	39	11.0	M45×1.5	0.24	HE 309	KM 9	MB 9
		45	65	39	13.0	M45×1.5	0.26	HE 309-E	KMFE 9	-
		45	65	50	11.0	M45×1.5	0.31	HE 2309	KM 9	MB 9
1 5/8	41.275	50	70	35	12.0	M50×1.5	0.31	HS 210	KM 10	MB 10
		50	70	42	12.0	M50×1.5	0.36	HS 310	KM 10	MB 10
		50	70	55	12.0	M50×1.5	0.40	HS 2310	KM 10	MB 10
1 11/16	42.863	50	70	35	12.0	M50×1.5	0.28	HA 210	KM 10	MB 10
		50	70	42	12.0	M50×1.5	0.32	HA 310	KM 10	MB 10
		50	70	42	14.0	M50×1.5	0.32	HA 310 E	KMFE 10	-
		50	70	55	12.0	M50×1.5	0.40	HA 2310	KMFE 10	MB 10
1 3/4	44.450	50	70	35	12.0	M50×1.5	0.26	HE 210	KM 10	MB 10
		50	70	42	12.0	M50×1.5	0.29	HE 310	KM 10	MB 10
		50	70	42	14.0	M50×1.5	0.29	HE 310 E	KMFE 10	-
		50	70	55	12.0	M50×1.5	0.36	HE 2310	KM 10	MB 10
1 7/8	47.625	55	75	37	12.5	M55×2	0.33	HS 211	KM 11	MB 11
		55	75	45	12.5	M55×2	0.38	HS 311	KM 11	MB 11
1 15/16	49.213	55	75	37	12.5	M55×2	0.30	HA 211	KM 11	MB 11
		55	75	45	12.5	M55×2	0.34	HA 311	KMFE 11	-
		55	75	45	14.0	M55×2	0.35	HA 311 E	KM 11	MB 11
		55	75	59	12.5	M55×2	0.42	HA 2311	KM 11	MB 11
2	50.800	55	75	37	12.5	M55×1/19	0.26	HE 211 B	HM 11	MB 11
		55	75	45	12.5	M55×1/19	0.29	HE 311 B	HM 11	MB 11
		55	75	45	14.0	M55×1/19	0.30	HE 311 BE	KMFE 11 B	-
		55	75	59	12.5	M55×1/19	0.36	HE 2311 B	HM 11	MB 11
2 1/8	53.975	60	80	38	13.0	M60×2	0.35	HS 212	KM 12	MB 12
		60	80	47	13.0	M60×2	0.40	HS 312	KM 12	MB 12
		60	80	47	14.0	M60×2	0.41	HS 312 E	KMFE 12	-
		60	80	62	13.0	M60×2	0.49	HS 2312	KM 12	MB 12
2 3/16	55.563	65	85	40	14.0	M65×2	0.49	HA 213	KM 13	MB 13
		65	85	50	14.0	M65×2	0.58	HA 313	KM 13	MB 13
		65	85	50	15.0	M65×2	0.59	HA 313 E	KMFE 13	-
		65	85	65	14.0	M65×2	0.75	HA 2313	KM 13	MB 13



ADAPTERS-FOR INCH SHAFTS



HA, HE, HS



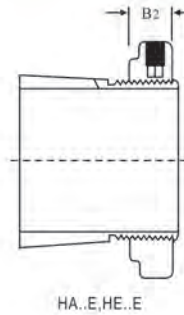
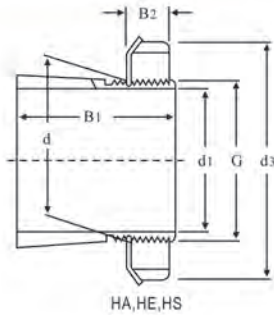
HA..E, HE..E

d1 2 1/4-4 3/16 in

d1		Dimensions (mm)					Weight kg	Part Number		
in	mm	d	d3	B1	B2	G		Adapters with locking nut and locking washer	Locking washer	Locking nut
2 1/4	57.150	65	85	40	14	M 65×2	0.44	HE 213	KM 13	MB 13
		65	85	50	14	M 65×2	0.52	HE 313	KM 13	MB 13
		65	85	50	15	M 65×2	0.53	HE 313 E	KMFE 13	-
		65	85	65	14	M 65×2	0.65	HE 2313	KM 13	MB 13
2 3/8	60.325	65	85	40	14	M 65×2	0.44	HS 213	KM 13	MB 13
		65	85	50	14	M 65×2	0.71	HS 313	KM 13	MB 13
		65	85	65	14	M 65×2	0.80	HS 2313	KM 13	MB 13
2 7/16	61.913	75	98	43	15	M 75×2	0.75	HA 215	KM 15	MB 15
		75	98	55	15	M 75×2	0.91	HA 315	KM 15	MB 15
		75	98	55	16	M 75×2	0.93	HA 315 E	KMFE 15	-
		75	98	73	15	M 75×2	1.15	HA 2315	KM 15	MB 15
2 1/2	63.500	75	98	43	15	M 75×2	0.70	HE 215	KM 15	MB 15
		75	98	55	15	M 75×2	0.85	HE 315	KM 15	MB 15
		75	98	55	16	M 75×2	0.87	HE 315 E	KMFE 15	-
		75	98	73	15	M 75×2	1.09	HE 2315	KM 15	MB 15
2 5/8	66.675	75	98	43	15	M 75×2	0.70	HS 215	KM 15	MB 15
		75	98	55	15	M 75×2	0.71	HS 315	KM 15	MB 15
		75	98	73	15	M 75×2	0.90	HS 2315	KM 15	MB 15
2 11/16	68.263	80	105	46	17	M 80×2	0.87	HA 216	KM 16	MB 16
		80	105	59	17	M 80×2	1.05	HA 316	KM 16	MB 16
		80	105	59	18	M 80×2	1.06	HA 316 E	KMFE 16	-
		80	105	78	17	M 80×2	1.30	HA 2316	KM 16	MB 16
2 3/4	69.850	80	105	46	17	M 80×2	0.81	HE 216	KM 16	MB 16
		80	105	59	17	M 80×2	0.97	HE 316	KM 16	MB 16
		80	105	59	18	M 80×2	0.98	HE 316E	KMFE 16	-
		80	105	78	17	M 80×2	1.20	HE 2316	KM 16	MB 16
2 15/16	74.613	85	110	50	18	M 80×2	0.94	HA 217	KM 17	MB 17
		85	110	63	18	M 80×2	1.10	HA 317	KM 17	MB 17
		85	110	63	19	M 80×2	1.19	HA 317 E	KMFE 17	-
		85	110	82	18	M 80×2	1.40	HA 2317	KM 17	MB 17
3	76.200	85	110	50	18	M 80×2	0.87	HE 217	KM 17	MB 17
		85	110	63	18	M 80×2	1.00	HE 317	KM 17	MB 17
		85	110	63	19	M 80×2	0.99	HE 317E	KMFE 17	-
		85	110	82	18	M 80×2	1.30	HE 2317	KM 17	MB 17



ADAPTERS-FOR INCH SHAFTS

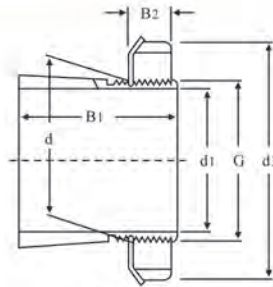


d1 2 1/4-4 3/16 in

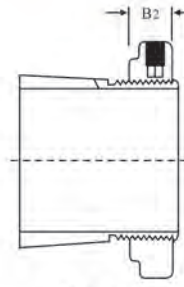
Dimensions (mm)						Weight kg	Part Number			
d1		d	d3	B1	B2		G	Adapters with locking nut and locking washer	Locking washer	Locking nut
in	mm									
3 3/16	80.963	90	120	52	18.0	M 90×2	1.05	HA 218	KM 18	MB 18
		90	120	65	18.0	M 90×2	1.25	HA 318	KM 18	MB 18
		90	120	65	19.0	M 90×2	1.26	HA 318 E	KMFE 18	-
		90	120	86	18.0	M 90×2	1.50	HA 2318	KM 18	MB 18
		90	120	52	18.0	M 90×2	0.97	HE 218	KM 18	MB 18
3 1/4	82.550	90	120	65	18.0	M 90×2	1.10	HE 318	KM 18	MB 18
		90	120	65	19.0	M 90×2	1.11	HE 318 E	KMFE 18	-
		90	120	86	18.0	M 90×2	1.40	HE 2318	KM 18	MB 18
		95	125	55	19.0	M 95×2	1.35	HE 219	KM 19	MB 19
		95	125	68	19.0	M 95×2	1.60	HE 319	KM 19	MB 19
		95	125	68	20.0	M 95×2	1.61	HE 319 E	KMFE 19	-
		95	125	90	19.0	M 95×2	2.00	HE 2319	KM 19	MB 19
		95	125	58	20.0	M 95×2	1.55	HA 220	KM 20	MB 20
3 7/16	87.313	100	130	71	20.0	M 100×2	1.80	HA 320	KM 20	MB 20
		100	130	71	21.0	M 100×2	1.75	HA 320 E	KMFE 20	-
		100	130	97	20.0	M 100×2	2.35	HA 2320	KM 20	MB 20
		100	130	58	20.0	M 100×2	1.45	HE 220	KM 20	MB 20
3 1/2	88.900	100	130	71	20.0	M 100×2	1.75	HE 320	KM 20	MB 20
		100	130	71	21.0	M 100×2	1.70	HE 320 E	KMFE 20	-
		100	130	76	20.0	M 100×2	1.80	HE 3120	KM 20	MB 20
		100	130	97	20.0	M 100×2	2.20	HE 2320	KM 20	MB 20
		110	145	63	21.0	M 110×2	1.65	HE 222	KM 22	MB 22
4	101.600	110	145	77	21.0	M 110×2	1.90	HE 322	KM 22	MB 22
		110	145	77	21.5	M 110×2	1.85	HE 322 E	KMFE 22	-
		110	145	81	21.0	M 110×2	2.25	HE 3122	KM 22	MB 22
		110	145	105	21.0	M 110×2	2.40	HE 2322	KM 22	MB 22
		110	145	72	22.0	M 120×2	2.25	HA 3024	KM 24	MBL 24
4 3/16	106.363	120	155	72	26.0	M 120×2	2.32	HA 3024 E	KMFE 24	-
		120	155	88	22.0	M 120×2	2.90	HA 3124	KM 24	MB 24
		120	145	88	22.0	M 120×2	2.60	HA 3124L	KML 24	MBL 24
		120	155	112	22.0	M 120×2	3.60	HA 2324	KM 24	MB 24
		120	145	112	22.0	M 120×2	3.30	HA 2324 L	KML 24	MBL 24



ADAPTERS-FOR INCH SHAFTS



HA,HA,L,HE,,L



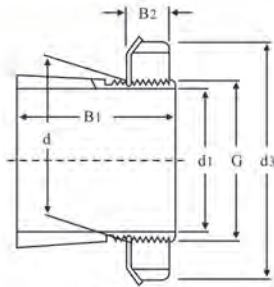
HA..E,HE..E,

d1 4 1/4-7 3/16 in

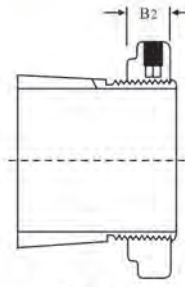
d1		Dimensions (mm)					Weight kg	Part Number		
in	mm	d	d3	B1	B2	G		Adapters with locking nut and locking washer	Locking washer	Locking nut
4 1/4	107.950	120	145	72	22.0	M 120×2	2.00	HE 3024	KM 24	MBL 24
		120	155	72	26.0	M 120×2	2.70	HE 3024 E	KMFE 24	-
		120	155	88	22.0	M 120×2	2.80	HE 3124	KM 24	MB 24
		120	155	112	22.0	M 120×2	3.35	HE 2324	KM 24	MB 24
		120	145	112	22.0	M 120×2	3.05	HE 2324 L	KML 24	MBL 24
4 7/16	112.713	130	155	80	23.0	M 130×2	3.05	HA 3026	KM 26	MBL 26
		130	165	92	23.0	M 130×2	3.75	HA 3126	KM 26	MB 26
		130	155	92	23.0	M 130×2	3.55	HA 3126 L	KML 26	MBL 26
		130	165	92	28.0	M 130×2	3.77	HA 3126 E	KMFE 26	-
		130	165	121	23.0	M 130×2	4.74	HA 2326	KM 26	MB 26
4 1/2	114.300	130	155	80	23.0	M 130×2	2.90	HE 3026	KML 26	MBL 26
		130	165	92	23.0	M 130×2	3.60	HE 3126	KM 26	MB 26
		130	155	90	23.0	M 130×2	3.40	HE 3126 L	KML 26	MBL 26
		130	165	121	23.0	M 130×2	4.55	HE 2326	KM 26	MB 26
4 15/16	125.413	140	165	82	24.0	M 140×2	3.00	HA 3028	KML 28	MBL 28
		140	180	97	24.0	M 140×2	4.10	HA 3128	KM 28	MB 28
		140	165	97	24.0	M 140×2	4.60	HA 3128 L	KML 28	MBL 28
		140	180	131	24.0	M 140×2	5.30	HA 2328	KM 28	MB 28
5	127.000	140	165	82	24.0	M 140×2	2.80	HE 3028	KML 28	MBL 28
		140	180	97	24.0	M 140×2	3.80	HE 3128	KM 28	MB 28
		140	165	97	24.0	M 140×2	3.30	HE 3128 L	KML 28	MBL 28
		140	180	131	24.0	M 140×2	5.00	HE 2328	KM 28	MB 28
5 3/16	131.763	150	180	87	26.0	M 150×2	4.20	HA 3030	KML 30	MBL 30
		150	195	111	26.0	M 150×2	5.80	HA 3130	KM 30	MB 30
		150	180	111	26.0	M 150×2	5.30	HA 3130 L	KML 30	MBL 30
		150	195	139	26.0	M 150×2	7.10	HA 2330	KM 30	MB 30
5 1/4	133.350	150	180	87	26.0	M 150×2	4.00	HE 3030	KML 30	MBL 30
		150	195	111	26.0	M 150×2	5.50	HE 3130	KM 30	MB 30
		150	180	111	26.0	M 150×2	5.00	HE 3130 L	KML 30	MBL 30
		150	195	139	26.0	M 150×2	6.80	HE 2330	KM 30	MB 30
5 7/16	138.113	160	190	93	27.5	M 160×3	5.40	HA 3032	KML 32	MBL 32
		160	210	119	27.5	M 160×3	7.55	HA 3132	KM 32	MB 32
		160	210	147	27.5	M 160×3	9.40	HA 2332	KM 32	MB 32
		160	190	147	27.5	M 160×3	8.55	HA 2332 L	KML 32	MBL 32



ADAPTERS-FOR INCH SHAFTS



HA,HA,L,HE,.L



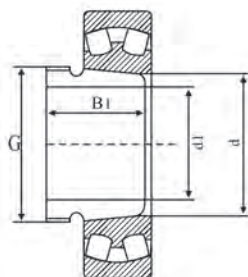
HA..E,HE..E,

d1 4 1/4-7 3/16 in

d1		Dimensions (mm)					Weight kg	Part Number		
in	mm	d	d3	B1	B2	G		Adapters with locking nut and locking washer	Locking washer	Locking nut
5 1/2	139.700	160	190	93	27.5	M 160×3	5.10	HE 3032	KML 32	MBL 32
		160	210	119	27.5	M 160×3	7.30	HE 3132	Km32	MB 32
		160	190	119	27.5	M 160×3	6.45	HE 3132 L	KML 32	MBL 32
		160	210	147	27.5	M 160×3	8.80	HE 2332	KM 32	MB 32
		160	190	147	27.5	M 160×3	7.95	HE 2332 L	KML 32	MBL 32
5 15/16	150.813	170	200	101	28.5	M 170×3	5.70	HA 3034	KML 34	MBL 34
		170	220	122	28.5	M 170×3	7.80	HA 3134	KM 34	MB 34
		170	200	122	28.5	M 170×3	6.80	HA 3134 L	KML 34	MBL 34
		170	220	154	28.5	M 170×3	9.60	HA 2334	KM 34	MB 34
6	152.400	170	200	101	28.5	M 170×3	5.40	HE 3034	KML 34	MBL 34
		170	220	122	28.5	M 170×3	7.55	HE 3134	KM 34	MB 34
		170	200	122	28.5	M 170×3	6.60	HE 3134 L	KML 34	MBL 34
		170	220	154	28.5	M 170×3	9.20	HE 2334	KM 34	MB 34
6 7/16	163.513	180	210	109	29.5	M 180×3	6.00	HA 3036	KML 36	MBL 36
		180	230	131	29.5	M 180×3	8.15	HA 3136	KM 36	MB 36
		180	210	131	29.5	M 180×3	7.20	HA 3136 L	KML 36	MBL 36
		180	230	161	29.5	M 180×3	9.90	HA 2336	KM 36	MB 36
6 1/2	165.100	180	210	109	29.5	M 180×3	5.55	HE 3036	KML 36	MBL 36
		180	230	131	29.5	M 180×3	7.80	HE 3136	KM 36	MB 36
		180	210	131	29.5	M 180×3	6.85	HE 3136 L	KML 36	MBL 36
		180	230	161	29.5	M 180×3	9.35	HE 2336	KM 36	MB 36
6 3/4	171.450	190	220	112	30.5	M 190×3	7.20	HE 3038	KML 38	MBL 38
		190	240	141	30.5	M 190×3	10.2	HE 3138	KM 38	MB 38
		190	240	169	30.5	M 190×3	11.7	HE 2338	KM 38	MB 38
6 15/16	176.213	190	220	112	30.5	M 190×3	5.80	HA 3038	KML 38	MBL 38
		190	240	141	30.5	M 190×3	8.50	HA 3138	KM 38	MB 38
		190	240	169	30.5	M 190×3	10.0	HA 2338	KM 38	MB 38
7	177.800	200	240	120	31.5	M 200×3	9.35	HE 3040	KML 40	MBL 40
		200	250	150	31.5	M 200×3	12.3	HE 3140	KM 40	MB 40
		200	250	176	31.5	M 200×3	14.2	HE 2340	KM 40	MB 40
7 3/16	182.563	200	240	120	31.5	M 200×3	8.25	HA 3040	KML 40	MBL 40
		200	250	150	31.5	M 200×3	11.2	HA 3140	KM 40	MB 40
		200	250	176	31.5	M 200×3	12.6	HA 2340	KM 40	MB 40



WITHDRAWAL SLEEVES



AH3 Series

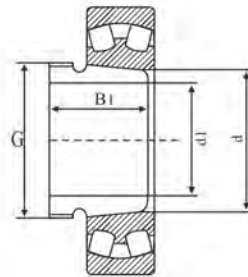
Part Number		Dimensions (mm)				Matched Bearing				Weight kg
Withdrawal sleeves	Lock nut for disassembly	d	d ₁	B ₁	G	Ball Bearing		Roller Bearing		
AH308	KM9	40	35	29	M45×1.5	2208K	1308K	22208K	21308CK	0.09
AH309	KM10	45	40	31	M50×1.5	2209K	1309K	22209K	21309CK	0.11
AHX310	KM11	50	45	35	M55×2	2210K	1310K	22210K	21310CK	0.14
AHX311	KM12	55	50	37	M60×2	2211K	1311K	22211K	21311CK	0.16
AHX312	KM13	60	55	40	M65×2	2212K	1312K	22212K	21312CK	0.19
AH313G	KM14	65	60	42	M70×2	2213K	1313K	22213K	21313CK	0.25
AH314G	KM15	70	65	43	M75×2	2214K	1314K	22214K	21314CK	0.28
AH315G	KM16	75	70	45	M80×2	2215K	1315K	22215K	21315CK	0.31
AH316	KM18	80	75	48	M90×2	2216K	1316K	22216K	21316CK	0.37
AHX317	KM19	85	80	52	M95×2	2217K	1317K	22217K	21317CK	0.43
AHX318	KM20	90	85	53	M100×2	2218K	1318K	22218K	21318CK	0.46
AHX319	KM21	95	90	57	M105×2	2219K	1319K	22219K	21319CK	0.53
AHX320	KM22	100	95	59	M110×2	2220K	1320K	22220K	21320CK	0.58
AHX322	KM24	110	105	63	M120×2	2222K	1322K	22222K	21322CK	0.66

AH22、AOH22 Series

Part Number		Dimensions (mm)				Matched Bearing		Weight kg
Withdrawal sleeves	Lock nut for disassembly	d	d ₁	B ₁	G	Roller Bearing		
AH2236G	KM38	180	170	105	M190×3	22236K		3.73
AH2238G	KM40	190	180	112	M200×3	22238K		4.25
AOH2252G	HM3056	260	240	155	Tr280×4	22252K		14.00
AOH2256G	HM3160	280	260	155	Tr300×5	22256K		15.20
AOH2260G	HM3164	300	280	170	Tr320×5	22260K		18.10
AOH2264G	HM3168	320	300	180	Tr340×5	22260K		20.20



WITHDRAWAL SLEEVES

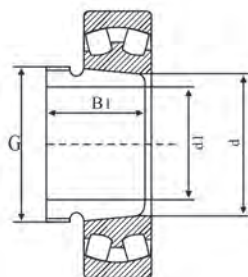


AH31, AOH31 Series

Part Number		Dimensions (mm)				Matched Bearing		Weight kg
Withdrawal sleeves	Lock nut for disassembly	d	d ₁	B ₁	G	Roller Bearing		
AHX3120	KM22	100	95	64	M 110×2	23120K	22220K	0.65
AHX3122	KM24	110	105	68	M 120×2	23122K	22222K	0.76
AHX3124	KM26	120	115	75	M 130×2	23124K	22224K	0.95
AHX3126	KM28	130	125	78	M 140×2	23126K	22226K	1.08
AHX3128	KM30	140	135	83	M 150×2	23128K	22228K	1.28
AHX3130G	KM32	150	145	96	M 160×3	23130K	22230K	1.79
AH3132G	KM34	160	150	103	M 170×3	23132K	22232K	3.20
AH3134G	KM36	170	160	104	M 180×3	23134K	22234K	3.50
AH3136G	KM38	180	170	116	M 190×3	23136K	22236K	4.20
AH3138G	KM40	190	180	125	M 200×3	23138K	22238K	4.90
AH3140	HM3044	200	190	134	Tr220×4	23140K	22240K	5.60
AOH3144	HM3048	220	200	145	Tr240×4	23144K	22244K	10.40
AOH3148	HM3052	240	220	154	Tr260×4	23148K	22248K	12.10
AOH3152G	HM3056	260	240	172	Tr280×4	23152K	22252K	16.20
AOH3156G	HM3160	280	260	175	Tr300×4	23156K	22256K	17.60
AOH3160G	HM3164	300	280	192	Tr320×5	23160K	22260K	21.00
AOH3164G	HM3168	320	300	209	Tr340×5	23164K	22264K	24.70
AOH3168G	HM3172	340	320	225	Tr360×5	23168K	22268K	29.00
AOH3172G	HM3176	360	340	229	Tr380×5	23172K	22272K	33.10
AOH3176G	HM3180	380	360	232	Tr400×5	23176K	22276K	35.80
AOH3180G	HM3184	400	380	240	Tr420×5	23180K	22280K	39.60
AOH3184G	HM3188	420	400	260	Tr440×5	23184K	22284K	46.80



WITHDRAWAL SLEEVES

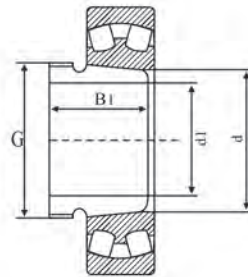


AH32, AOH32 Series

Dimensions (mm)		Part Number				Matched Bearing	Weight kg
Withdrawal sleeves	Lock nut for disassembly	d	d _i	B _i	G	Roller Bearing	
AHX3218	KM20	90	85	63	M 100×2	23218K	0.57
AHX3220	KM22	100	95	73	M 110×2	23220K	0.77
AHX3222G	KM24	110	105	82	M 120×2	23222K	1.04
AHX3224G	KM26	120	115	90	M 130×2	23224K	1.30
AHX3226G	KM28	130	125	98	M 140×2	23226K	1.60
AHX3228G	KM30	140	135	104	M 150×2	23228K	1.90
AHX3230G	KM32	150	145	114	M 160×3	23230K	2.30
AH3232G	KM34	160	150	124	M 170×3	23232K	4.09
AH3234G	KM36	170	160	134	M 180×3	23234K	4.81
AH3236G	KM38	180	170	140	M 190×3	23236K	5.31
AH3238G	KM40	190	180	145	M 200×3	23238K	5.90
AH3240	HM3044	200	190	153	Tr220×4	23240K	6.67
AOH3260G	HM3164	300	280	228	Tr320×5	23260K	26.00
AOH3264G	HM3168	320	300	246	Tr340×5	23264K	30.60
AOH3268G	HM3172	340	320	264	Tr360×5	23268K	35.80
AOH3272G	HM3176	360	340	274	Tr380×5	23272K	41.60
AOH3276G	HM3180	380	360	284	Tr400×5	23276K	46.30
AOH3280G	HM3184	400	380	302	Tr420×5	23280K	52.50
AOH3284G	HM3188	420	400	321	Tr440×5	23284K	59.70

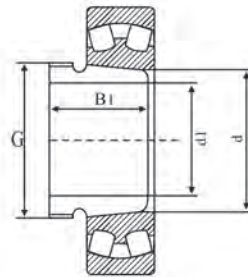


WITHDRAWAL SLEEVES



AH23、AOH23 Series

Part Number		Dimensions (mm)				Matched Bearing		Weight kg
Withdrawal sleeves	Lock nut for disassembly	d	d ₁	B ₁	G	Ball Bearing	Roller Bearing	
AH2308	KM9	40	35	40	M 45×1.5	2308K	22308K	0.13
AH2309	KM10	45	40	44	M 50×1.5	2309K	22309K	0.16
AHX2310	KM11	50	45	50	M 55×2	2310K	22310K	0.21
AHX2311	KM12	55	50	54	M 60×2	2311K	22311K	0.25
AHX2312	KM13	60	55	58	M 65×2	2312K	22312K	0.30
AH2313G	KM14	65	60	61	M 70×2	2313K	22313K	0.36
AHX2314G	KM15	70	65	64	M 75×2	2314K	22314K	0.47
AHX2315G	KM16	75	70	68	M 80×2	2315K	22315K	0.53
AHX2316	KM18	80	75	71	M 90×2	2316K	22316K	0.60
AHX2317	KM19	85	80	74	M 95×2	2317K	22317K	0.67
AHX2318	KM20	90	85	79	M 100×2	2318K	22318K	0.78
AHX2319	KM21	95	90	85	M 105×2	2319K	22319K	0.89
AHX2320	KM22	100	95	90	M 110×2	2320K	22320K	0.95
AHX2322G	KM24	110	105	98	M 120×2	2322K	22322K	1.35
AHX2324G	KM26	120	115	105	M 130×2	2324K	22324K	1.60
AHX2326G	KM28	130	125	115	M 140×2	2326K	22326K	2.00
AHX2328G	KM30	140	135	125	M 150×2	2328K	22328K	2.33
AHX2330G	KM32	150	145	135	M 160×3	2330K	22330K	2.80
AHX2332G	KM34	160	150	140	M 170×3	2332K	22332K	4.72
AHX2334G	KM36	170	160	146	M 180×3	2334K	22334K	5.30
AHX2336G	KM38	180	170	154	M 190×3	2336K	22336K	5.90
AHX2338G	KM40	190	180	160	M 200×3	2338K	22338K	6.50
AH2340	HM304	200	190	170	Tr220×4	2340K	22340K	7.50
AOH2344	HM3048	220	200	181	Tr240×4	2344K	22344K	13.40
AOH2348	HM3052	240	220	189	Tr260×4	2348K	22348K	15.50
AOH2352G	HM3056	260	240	205	Tr280×4	2352K	22352K	20.00
AOH2356G	HM3160	280	260	212	Tr300×4	2356K	22356K	21.50

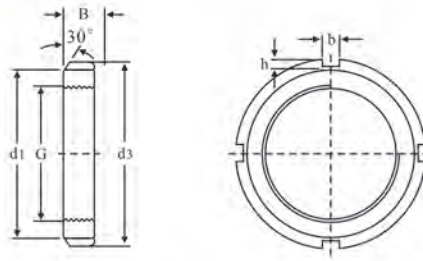


AH30、AOH30 Series

Dimensions (mm)		Part Number				Matched Bearing	Weight kg
Withdrawal sleeves	Lock nut for disassembly	d	d ₁	B ₁	G	Roller Bearing	
AHX3024	KM26	120	115	60	M130×2	23024K	0.75
AHX3036	KM28	130	125	67	M140×2	23026K	0.93
AHX3028	KM30	140	136	68	M150×2	23028K	1.01
AHX3030	KM32	150	145	72	M160×3	23030K	1.15
AH3032	KM34	160	150	77	M170×3	23032K	2.10
AH3034	KM36	170	160	85	M180×3	23034K	2.5
AH3036	KM38	180	170	92	M190×3	23036K	2.90
AH3038G	KM40	190	180	96	M200×3	23038K	3.40
AH3040G	HM42T	200	190	102	Tr210×4	23040K	3.80
AOH3044G	HM46T	220	200	111	Tr230×4	23044K	7.40
AOH3048	HM3052	240	220	116	Tr260×4	23048K	8.80
AOH3052	HM3056	260	240	128	Tr280×4	23052K	10.70
AOH3056	HM3060	280	260	131	Tr300×4	23056K	12.00
AOH3060	HM3064	300	280	145	Tr320×5	23060K	14.40
AOH3064G	HM3068	320	300	149	Tr340×5	23064K	16.00
AOH3068G	HM3072	340	320	162	Tr360×5	23068K	19.50
AOH3072G	HM3076	360	340	167	Tr380×5	23072K	21.00
AOH3076G	HM3080	380	360	170	Tr400×5	23076K	23.50
AOH3080G	HM3080	400	380	183	Tr420×5	23080K	27.30
AOH3084G	HM3088	420	400	186	Tr440×5	23084K	29.00



KM(L)TYPE LOCKING NUT WITH LOCKING WASHER

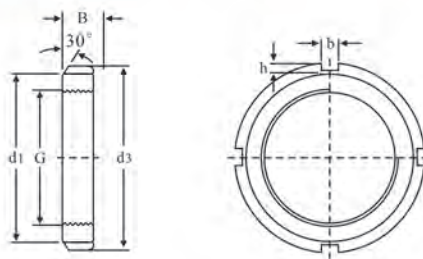


M10×0.75-M200×3

Dimensions (mm)						Weight kg	Part Number	
G	d ₁	d ₃	B	b	h		Locking nut	Appropriate locking washer
M 10×0.75	13.5	18	4	3	2.0	0.004	KM 0	MB 0
M 12×1	17.0	22	4	3	2.0	0.006	KM 1	MB 1
M 15×1	21.0	25	5	4	2.0	0.009	KM 2	MB 2
M 17×1	24.0	28	5	4	2.0	0.012	KM 3	MB 3
M 20×1	26.0	32	6	4	2.0	0.025	KM 4	MB 4
M 25×1.5	32.0	38	7	5	2.0	0.028	KM 5	MB 5
M 30×1.5	38.0	45	7	5	2.0	0.039	KM 6	MB 6
M 35×1.5	44.0	52	8	5	2.0	0.059	KM 7	MB 7
M 40×1.5	50.0	58	9	6	2.5	0.078	KM 8	MB 8
M 45×1.5	56.0	65	10	6	2.5	0.110	KM 9	MB 9
M 50×1.5	61.0	70	11	6	2.5	0.140	KM 10	MB 10
M 55×2	67.0	75	11	7	3.0	0.150	KM 11	MB 11
M 60×2	73.0	80	11	7	3.0	0.160	KM 12	MB 12
M 65×2	79.0	85	12	7	3.0	0.190	KM 13	MB 13
M 70×2	85.0	92	12	8	3.5	0.230	KM 14	MB 14
M 75×2	90.0	98	13	8	3.5	0.270	KM 15	MB 15
M 80×2	95.0	105	15	8	3.5	0.360	KM 16	MB 16
M 85×2	102.0	110	16	8	3.5	0.410	KM 17	MB 17
M 90×2	108.0	120	16	10	4.0	0.510	KM 18	MB 18
M 95×2	113.0	125	17	10	4.0	0.550	KM 19	MB 19
M 100×2	120.0	130	18	10	4.0	0.640	KM 20	MB 20



KM(L)TYPE LOCKING NUT WITH LOCKING WASHER

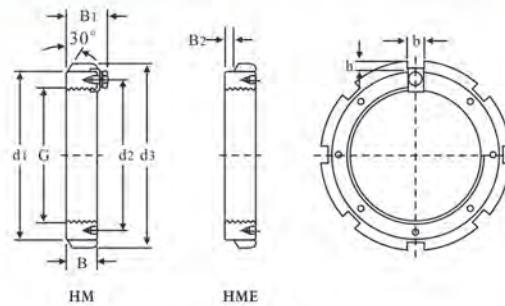


M10×0.75-M200×3

Dimensions (mm)						Weight kg	Part Number	
G	d ₁	d ₃	B	b	h		Locking nut	Locking washer
M 105 × 2	126	140	18	12	5	0.79	KM 21	MB 21
M 115 × 2	133	145	19	12	5	0.87	KM 22	MB 22
M 115 × 2	137	150	19	12	5	0.91	KM 23	MB 23
M 120 × 2	135	145	20	12	5	0.69	KML 24	MBL 24
	138	155	20	12	5	0.97	KM 24	MB 24
M 125 × 2	148	160	21	12	5	1.09	KM 25	MB 25
M 130 × 2	145	155	21	12	5	0.80	KML 26	MBL 26
	149	165	21	12	5	1.09	KM 26	MB 26
M 135 × 2	160	175	22	14	6	1.39	KM 27	MB 27
M 140 × 2	155	165	22	12	5	0.92	KML 28	MBL 28
	160	180	22	14	6	1.40	KM 28	MB 28
M 145 × 2	171	190	24	14	6	1.80	KM 29	MB 29
M 150 × 2	170	180	24	14	5	1.25	KML 30	MBL 30
	171	195	24	14	6	1.88	KM 30	MB 30
M 155 × 3	182	200	25	16	7	2.09	KM 31	MB 31
M 160 × 3	180	190	25	14	5	1.39	KML 32	MBL 32
	182	210	25	16	7	2.29	KM 32	MB 32
M 165 × 3	193	210	26	16	7	2.31	KM 33	MB 33
M 170 × 3	190	200	26	16	5	1.56	KML 34	MBL 34
	193	220	26	16	7	2.34	KM 34	MB 34
M 180 × 3	200	210	27	16	5	1.78	KML 36	MBL 36
	203	230	27	18	8	2.78	KM 36	MB 36
M 190 × 3	210	220	28	16	5	1.84	KML 38	MBL 38
	214	240	28	18	8	3.05	KM 38	MB 38
M 200 × 3	222	240	29	18	8	2.61	KML 40	MBL 40
	226	250	29	18	8	3.37	KM 40	MB 40



HM TYPE LOCKING NUT WITH LOCKING BUTTON

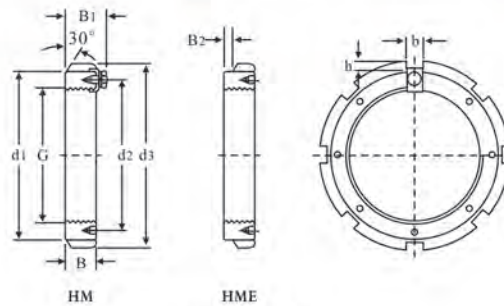


Tr220×4-Tr950×8

Dimensions (mm)									Weight kg	Part Number	
G	d ₁	d ₂	d ₃	B	B ₁	B ₂	b	h		Locking nut without locking button	Appropriat locking washer
Tr 220×4	242	229	260	30	41	-	20	9	2.75	HM 3044	MS 3044
Tr 240×4	270	253	290	34	46	-	20	10	4.50	HM 3048	MS 3052-48
	270	253	290	34	46	5	20	10	4.50	HME 3048	MS 3052-48
Tr 260×4	290	273	310	34	46	-	20	10	4.80	HM 3052	MS 3052-48
Tr 280×4	310	293	330	38	50	-	24	10	5.75	HM 3056	MS 3056
Tr 300×4	336	316	360	42	54	-	24	12	8.35	HM 3060	MS 3060
	340	326	380	40	53	-	24	12	11.5	HM 3160	MS 3160
Tr 320×5	356	336	380	42	55	-	24	12	9.00	HM 3064	MS 3068-64
	360	346	400	42	56	-	24	12	13.0	HM 3164	MS 8164
Tr 340×5	376	356	400	45	58	-	24	12	11.0	HM 3068	MS 3068-64
	400	373	440	55	72	-	28	15	24.0	HM 3168	MS 3172-68
Tr 360×5	394	375	420	45	58	-	28	13	11.5	HM 3072	MS 3072
	420	393	460	58	75	-	28	15	26.5	HM 3172	MS 3172-68
Tr 380×5	422	399	450	48	62	-	28	14	15.0	HM 3076	MS 3080-76
	440	415	490	60	77	-	32	18	32.0	HM 3176	MS 3176
Tr 400×5	442	419	470	52	66	-	28	14	17.0	HM 3080	MS 3080-76
	460	440	520	62	82	-	32	18	38.0	HM 3180	MS 3184-80
Tr 420×5	462	439	490	52	66	-	32	14	18.5	HM 3084	MS 3084
	462	439	490	52	66	5	32	14	18.5	HME 3084	MS 3084
	490	460	540	70	90	-	32	18	45.0	HM 3184	MS 3184-80
Tr 440×5	490	463	520	60	77	-	32	15	26.0	HM 3088	MS 3092-88
	510	478	560	70	90	-	36	20	46.5	HM 3188	MS 3192-88
Tr 460×5	510	483	540	60	77	-	32	15	27.0	HM 3092	MS 3092-88
	540	498	580	75	95	-	36	20	50.5	HM 3192	MS 3192-88
Tr 480×5	530	503	560	60	77	-	36	15	28.0	HM 3096	MS 30/500-96
	560	528	620	75	95	-	36	20	62.0	HM 3196	MS 3196



HM TYPE LOCKING NUT WITH LOCKING BUTTON

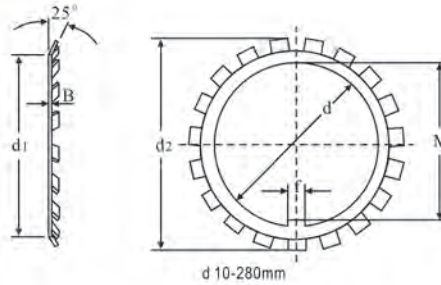


Tr220×4-Tr950×8

Dimensions (mm)									Weight kg	Part Number	
G	d ₁	d ₂	d ₃	B	B ₁	B ₂	b	h		Locking nut without locking button	Locking washer
Tr 500×5	550	523	580	68	85	-	36	15	33.5	HM 30/500	MS 30/500-96
	550	523	580	68	85	8	36	15	33.5	HME 30/500	MS 30/500-96
	580	540	630	80	100	-	40	23	63.5	HM 31/500	MS 31/500
Tr 530×6	590	558	630	68	90	-	40	20	42.5	HM 30/530	MS 30/600-530
	610	575	670	80	105	-	40	23	71.5	HM 31/530	MS 31/530
	Tr 560×6	610	583	650	75	97	-	40	20	44.5	HM 30/560
610		583	650	75	97	12	40	20	44.5	HME 30/560	MS 30/560
650		608	710	85	110	-	45	25	86.5	HM 31/560	MS 31/600-560
Tr 600×6	660	628	700	75	97	-	40	20	52.5	HM 30/600	MS 30/600-530
	660	628	700	75	97	12	40	20	52.5	HME 30/600	MS 30/600-530
	690	648	750	85	110	-	45	25	91.5	HM 31/600	MS 31/600-560
Tr 630×6	690	658	730	75	97	-	45	20	55.0	HM 30/630	MS 30/630
	730	685	800	95	120	-	50	28	125.0	HM 31/630	MS 31/630
Tr 670×6	740	703	780	80	102	-	45	20	68.5	HM 30/670	MS 30/670
	775	730	850	106	131	-	50	28	155.0	HM 31/670	MS 31/670
Tr 710×7	780	742	830	90	112	-	50	25	91.5	HM 30/710	MS 30/710
	780	742	830	90	112	12	50	25	91.5	HME 30/710	MS 30/710
	825	772	900	106	133	-	55	30	162.0	HM 31/710	MS 31/710
Tr 750×7	820	782	870	90	112	-	55	25	94.0	HM 30/750	MS 30/800-750
	820	782	870	90	112	12	55	25	94.0	HME 30/750	MS 30/800-750
	875	813	950	112	139	-	60	34	190.0	HM 31/750	MS 31/800-750
Tr 800×7	870	832	920	90	112	-	55	25	99.0	HM 30/800	MS 30/800-750
	925	863	1000	112	139	-	60	34	202.0	HM 31/800	MS 31/800-750
Tr 850×7	925	887	980	90	115	-	60	25	115.0	HM 30/850	MS 30/900-850
	925	887	980	90	115	12	60	25	110.0	HME 30/850	MS 30/900-850
	975	914	1060	118	145	-	70	38	234.0	HM 31/850	MS 31/850
Tr 900×7	975	937	1030	100	125	-	60	25	131.0	HM 30/900	MS 30/900-850
	1030	969	1120	125	154	-	70	38	280.0	HM 31/900	MS 31/900
Tr 950×8	1025	985	1080	100	125	-	60	25	139.0	HM 30/950	MS 30/950



MB LOCKING WASHER



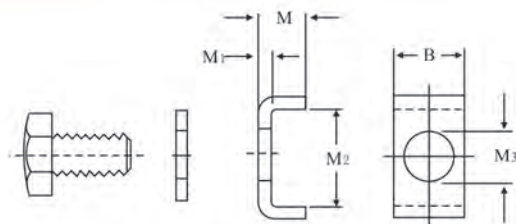
Dimensions (mm)						Part Number	Weight kg
d	d ₁	d ₂	B	f	M		
10	13.5	21	1.00	3	8.5	MB 0	0.001
12	17	25	1.00	3	10.5	MB 1	0.002
						MB 1A	0.002
15	21	28	1.00	4	13.5	MB 2	0.003
						MB 2A	0.003
17	24	32	1.00	4	15.5	MB 3	0.003
						MB 3A	0.003
20	26	36	1.00	4	18.5	MB 4	0.004
						MB 4A	0.005
25	32	42	1.25	5	23.0	MB 5	0.006
						MB 5A	0.009
30	38	49	1.25	5	27.5	MB 6	0.008
						MB 6A	0.011
35	44	57	1.25	6	32.5	MB 7	0.011
						MB 7A	0.016
40	50	62	1.25	6	37.5	MB 8	0.013
						MB 8A	0.018
45	56	69	1.25	6	42.5	MB 9	0.015
						MB 9A	0.021
50	61	74	1.25	6	47.5	MB 10	0.016
						MB 10A	0.023
55	67	81	1.50	8	52.5	MB 11	0.022
						MB 11A	0.037
60	73	86	1.50	8	57.5	MB 12	0.024
						MB 12A	0.040
65	79	92	1.50	8	62.5	MB 13	0.030
						MB 13A	0.050

Dimensions (mm)						Part Number	Weight kg
d	d ₁	d ₂	B	f	M		
70	85	98	1.50	8	66.5	MB 14	0.032
						MB 14A	0.053
75	90	104	1.50	8	71.5	MB 15	0.035
						MB 15A	0.058
80	95	112	1.75	10	76.5	MB 16	0.046
						MB 16A	0.066
85	102	119	1.75	10	81.5	MB 17	0.053
						MB 17A	0.076
90	108	126	1.75	10	86.5	MB 18	0.061
						MB 18A	0.087
95	113	133	1.75	10	91.5	MB 19	0.066
						MB 19A	0.094
100	120	142	1.75	12	96.5	MB 20	0.077
						MB 20A	0.110
105	126	145	1.75	12	100.5	MB 21	0.083
110	133	154	1.75	12	105.5	MB 22	0.091
115	137	159	2.00	12	110.5	MB 23	0.110
120	135	152	2.00	14	115.0	MBL 24	0.070
						MB 24	0.110
125	148	170	2.00	14	120.0	MB 25	0.120
130	145	161	2.00	14	125.0	MBL 26	0.080
						MB 26	0.120
135	149	175	2.00	14	125.0	MB 27	0.140
						MB 27	0.140
140	160	185	2.00	14	130.0	MBL 28	0.090
						MB 28	0.140
145	160	192	2.00	16	135.0	MB 28	0.140
						MB 28	0.140
145	172	202	2.00	16	140.0	MB 29	0.170
150	170	189	2.00	16	145.0	MBL 30	0.100

Dimensions (mm)						Part Number	Weight kg
d	d ₁	d ₂	B	f	M		
150	171	205	2.0	16	145	MB 30	0.18
155	182	212	2.5	16	147.5	MB 31	0.20
160	180	199	2.5	18	154	MBL 32	0.14
						MB 32	0.22
165	193	222	2.5	18	157.5	MB 33	0.24
170	190	211	2.5	18	164	MBL 34	0.15
						MB 34	0.24
180	200	222	2.5	20	174	MBL 36	0.16
						MB 36	0.26
190	210	232	2.5	20	184	MBL 38	0.17
						MB 38	0.26
200	222	245	2.5	20	194	MBL 40	0.22
						MB 40	0.28
220	250	292	3.0	24	213	MB 44	0.35
240	270	313	3.0	24	233	MB 48	0.46
260	300	342	3.0	24	253	MB 52	0.64
280	320	362	3.0	24	273	MB 56	0.74



MB LOCKING WASHER

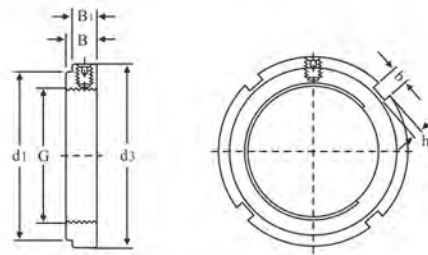


B 20-70mm

Dimensions(mm)					Weight kg	Part Number		
B	M	M ₁	M ₂	M ₃		Locking button	Bolt	Spring washer accordant DIN 128
20	12	4	13.5	7	0.022	MS 3044	M 6×12	A 6
	12	4	17.5	9	0.024	MS 3052-48	M 8×16	A 8
24	12	4	17.5	9	0.030	MS 3056	M 8×16	A 8
	12	4	20.5	9	0.033	MS 3060	M 8×16	A 8
	15	5	21.0	9	0.046	MS 3068-64	M 8×16	A 8
28	15	5	20.0	9	0.051	MS 3072	M 8×16	A 8
	15	5	24.0	12	0.055	MS 3080-76	M 10×20	A 10
32	15	5	24.0	12	0.063	MS 3084	M 10×20	A 10
	15	5	28.0	14	0.067	MS 3092-88	M 12×25	A 12
36	15	7	28.0	14	0.076	MS 30/500-96	M 12×25	A 12
40	21	7	29.0	18	0.150	MS 30/560	M 16×30	A 16
	21	7	34.0	18	0.140	MS 30/600-530	M 16×30	A 16
45	21	7	34.0	18	0.170	MS 30/630	M 16×30	A 16
	21	7	39.0	18	0.190	MS 30/670	M 16×30	A 16
50	21	7	39.0	18	0.210	MS 30/710	M 16×30	A 16
55	21	7	39.0	18	0.230	MS 30/800-750	M 16×30	A 16
60	21	7	44.0	22	0.260	MS 30/900-850	M 20×40	A 20
	21	7	46.0	22	0.260	MS 30/950	M 20×40	A 20
	21	7	51.0	22	0.280	MS 30/1000	M 20×40	A 20
24	12	4	30.5	12	0.040	MS 3160	M 10×20	A 10
	15	5	31.0	12	0.055	MS 3164	M 10×20	A 10
28	15	5	38.0	14	0.069	MS 3172-68	M 12×25	A 12
	15	5	40.0	14	0.083	MS 3176	M 12×25	A 12
	15	5	45.0	18	0.089	MS 3184-80	M 16×30	A 16
36	15	5	43.0	18	0.097	MS 3192-88	M 16×30	A 16
	15	5	53.0	18	0.110	MS 3196	M 16×30	A 16
40	15	5	45.0	18	0.110	MS 31/500	M 16×30	A 16
	21	7	51.0	22	0.190	MS 31/530	M 20×40	A 20
45	21	7	54.0	22	0.220	MS 31/600-560	M 20×40	A 20
	21	7	61.0	22	0.270	MS 31/630	M 20×40	A 20
	21	7	66.0	22	0.280	MS 31/670	M 20×40	A 20
55	21	7	69.0	26	0.320	MS 31/710	M 24×50	A 24
60	21	7	70.0	26	0.350	MS 31/800-750	M 24×50	A 24
	21	7	71.0	26	0.410	MS 31/850	M 24×50	A 24
70	21	7	76.0	26	0.410	MS 31/900	M 24×50	A 24
	21	7	78.0	26	0.420	MS 31/950	M 24×50	A 24
	21	7	88.0	26	0.500	MS 31/1000	M 24×50	A 24



KMFE TYPE LOCKING NUT WITH LOCKING BOLT



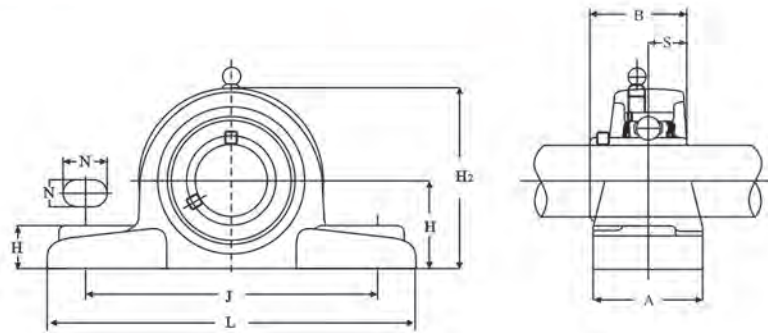
M20 x 1 – M130 x 2

Dimensions(mm)							Weight kg	Locking nut number	Bolt Dimensions
G	d ₁	d ₃	B	B ₁	b	h			
M 20 x 1	26.0	32	9.5	8.5	4	2.0	0.031	KMFE 4	M 5
M 25 x 1.5	31.0	38	10.5	8.5	5	2.0	0.042	KMFE 5	M 5
M 30 x 1.5	36.0	45	10.5	8.5	5	2.0	0.058	KMFE 6	M 5
M 35 x 1.5	42.5	42	11.5	8.5	5	2.0	0.080	KMFE 7	M 5
M 40 x 1.5	47.0	58	13.0	10.0	6	2.5	0.11	KMFE 8	M 6
M 45 x 1.5	53.0	65	13.0	10.0	6	2.5	0.14	KMFE 9	M 6
M 50 x 1.5	57.5	70	14.0	11.0	6	2.5	0.16	KMFE 10	M 6
M 55 x 2	64.0	75	14.0	11.0	7	3.0	0.18	KMFE 11	M 6
M 60 x 2	69.0	80	14.0	11.0	7	3.0	0.19	KMFE 12	M 6
M 65 x 2	76.0	85	15.0	12.0	7	3.0	0.23	KMFE 13	M 6
M 70 x 2	79.0	92	15.0	12.0	8	3.5	0.26	KMFE 14	M 6
M 75 x 2	85.0	98	16.0	13.0	8	3.5	0.32	KMFE 15	M 6
M 80 x 2	91.5	105	18.0	15.0	8	3.5	0.42	KMFE 16	M 8
M 85 x 2	98.0	110	19.0	15.0	8	3.5	0.46	KMFE 17	M 8
M 90 x 2	102.0	120	19.0	15.0	10	4.0	0.58	KMFE 18	M 8
M 95 x 2	110.0	125	20.0	16.0	10	4.0	0.66	KMFE 19	M 8
M 100 x 2	112.0	130	21.0	17.0	10	4.0	0.71	KMFE 20	M 8
M 105 x 2	112.0	140	21.0	17.0	12	5.0	0.85	KMFE 21	M 8
M 110 x 2	122.0	145	21.5	17.5	12	5.0	0.93	KMFE 22	M 8
M 115 x 2	126.0	150	25.0	20.0	12	5.0	1.11	KMFE 23	M 8
M 120 x 2	130.0	155	26.0	20.0	12	5.0	1.16	KMFE 24	M 10
M 125 x 2	136.0	160	27.0	21.0	12	5.0	1.26	KMFE 25	M 10
M 130 x 2	141.0	165	28.0	21.0	12	5.0	1.33	KMFE 26	M 10





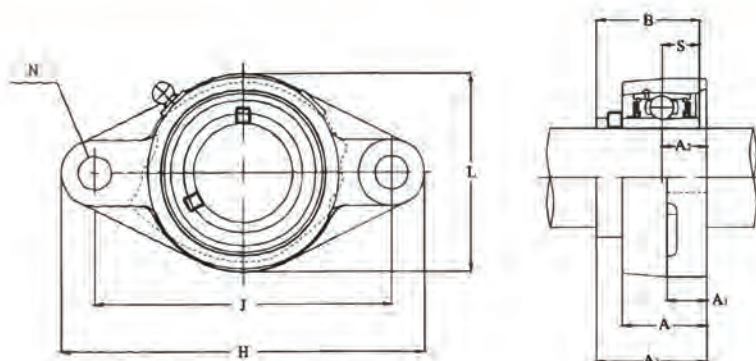
PILLOW BLOCKS



Shaft Diameter (mm)	UNIT Number	Dimensions(mm)										Weight kg
		L	A	J	H1	H	N	N1	H2	B	S	
12	UCP201	127	38	95	15	30.20	13	19	62	31.00	12.70	0.70
15	UCP202	127	38	95	15	30.20	13	19	62	31.00	12.70	0.69
17	UCP203	127	38	95	15	30.20	13	19	62	31.00	12.70	0.68
20	UCP204	127	38	95	15	33.30	13	19	65	31.00	12.70	0.68
25	UCP205	140	38	105	16	36.50	13	19	70	34.10	14.30	0.82
	UCP305	175	45	132	16	45.00	17	20	83	38.00	15.00	1.32
30	UCP206	165	48	121	18	42.90	17	21	83	38.10	15.90	1.36
	UCP306	180	50	140	19	50.00	17	20	94	43.00	17.00	1.82
35	UCP207	167	48	127	19	47.60	17	21	94	42.90	17.50	1.73
	UCP307	210	56	160	21	56.00	17	25	105	48.00	19.00	2.50
40	UCP208	184	54	137	19	49.20	17	23	100	49.20	19.00	2.10
	UCP308	220	60	170	23	60.00	17	27	116	52.00	19.00	3.20
35	UCP209	190	54	146	20	54.00	17	23	108	49.20	19.00	2.20
	UCP309	245	67	190	25	67.00	20	30	128	57.00	22.20	4.30
50	UCP210	206	60	159	22	57.20	20	25	114	51.60	19.00	2.70
	UCP310	275	75	212	28	75.00	20	35	143	61.00	22.00	5.80
55	UCP211	219	60	171	22	63.50	20	25	126	55.60	22.20	3.40
	UCP311	310	80	236	31	80.00	20	38	154	66.00	25.00	7.40
60	UCP212	241	70	184	25	69.80	20	25	138	65.10	25.40	4.80
	UCP312	330	85	250	33	85.00	25	38	165	71.00	26.00	9.00
65	UCP213	265	70	203	27	76.20	25	29	150	65.10	25.40	5.70
	UCP313	340	90	260	36	90.00	25	38	174	75.00	30.00	10.20
70	UCP214	266	72	210	27	79.40	25	31	156	74.60	30.20	6.40
	UCP314	360	90	280	40	95.00	27	40	186	78.00	33.00	12.40
75	UCP215	275	74	217	28	82.60	25	31	163	77.80	33.30	7.20
	UCP315	380	100	290	40	100.00	27	40	197	82.00	32.00	14.60
80	UCP216	292	78	232	30	88.90	25	31	175	82.60	33.30	8.70
	UCP316	400	110	300	45	106.00	27	40	209	86.00	34.00	18.10
85	UCP217	310	83	247	32	95.20	25	31	187	85.70	34.10	11.00
	UCP317	420	110	320	45	112.00	33	45	221	96.00	40.00	21.00
90	UCP218	327	88	262	34	101.60	27	33	200	96.00	39.70	13.30
	UCP318	430	110	330	50	118.00	33	45	233	96.00	40.00	23.00



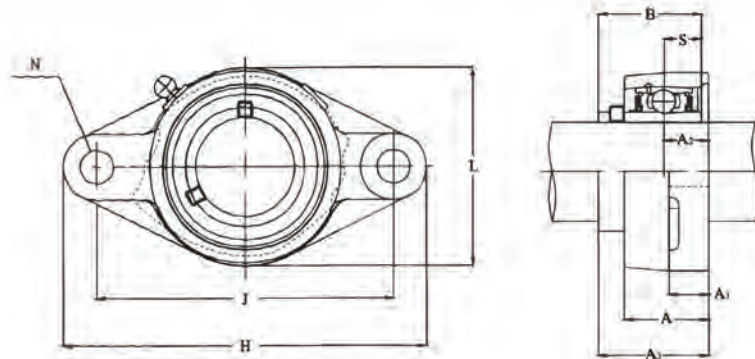
DIAMOND FLANGED UNITS



Shaft Diameter (mm)	UNIT Number	Dimensions(mm)										Weight kg
		H	L	A	J	A1	A2	N	A3	B	S	
12	UCFL201	113	60	25.5	90	12	12	12	33.3	31.0	12.7	0.51
15	UCF202	113	60	25.5	90	12	15	12	33.3	31.0	12.7	0.49
17	UCF203	113	60	25.5	90	12	15	12	33.3	31.0	12.7	0.48
20	UCF204	113	60	25.5	90	12	15	12	33.3	31.0	12.7	0.46
25	UCF205	130	68	27.0	99	14	16	16	35.7	34.0	14.3	0.63
30	UCF206	148	80	31.0	117	14	18	16	40.2	38.1	15.9	0.95
35	UCF207	161	90	34.0	130	16	19	16	44.4	42.9	17.5	1.31
40	UCF208	175	100	36.0	144	16	21	16	51.2	49.2	19.0	1.69
45	UCF209	188	108	38.0	148	18	22	19	52.2	49.2	19.0	2.10
50	UCF210	197	115	40.0	157	18	22	19	54.6	51.6	19.0	2.40
55	UCF211	224	130	43.0	184	20	25	19	58.4	55.6	22.2	3.40
60	UCF212	250	140	48.0	202	20	29	23	68.7	65.1	25.4	4.30
65	UCF213	258	155	50.0	210	24	30	23	69.7	65.1	25.4	5.40
70	UCF214	265	160	54.0	216	24	31	23	75.4	74.6	30.2	6.30
75	UCF215	275	165	56.0	225	24	34	23	78.5	77.8	33.3	6.90
80	UCF216	290	180	58.0	233	24	34	25	83.3	82.6	33.3	8.40
85	UCF217	305	190	63.0	248	26	36	25	87.6	85.7	34.1	9.90
90	UCF218	320	205	68.0	265	26	40	25	96.3	96.0	39.7	12.40



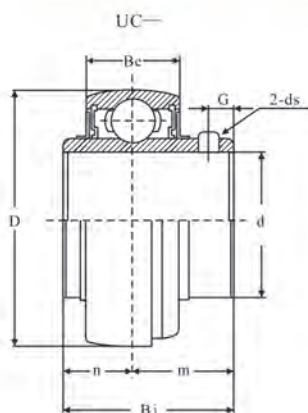
SQUARE FLANGED UNITS



Shaft Diameter (mm)	UNIT Number	Dimensions(mm)									Weight kg
		L	A	J	A1	A2	N	A3	B	S	
12	UCFL201	86	25.5	64	90	15	12	33.3	31.0	12.7	0.67
15	UCF202	86	25.5	64	90	15	12	33.3	31.0	12.7	0.66
17	UCF203	86	25.5	64	90	15	12	33.3	31.0	12.7	0.64
20	UCF204	86	25.5	64	90	15	12	33.3	31.0	12.7	0.62
25	UCF205	95	27.0	70	99	16	12	35.7	34.0	14.3	0.83
30	UCF206	108	31.0	83	117	18	12	40.2	38.1	15.9	1.14
35	UCF207	117	34.0	92	130	19	14	44.4	42.9	17.5	1.47
40	UCF208	130	36.0	102	144	21	16	51.2	49.2	19.0	2.00
45	UCF209	137	38.0	105	148	22	16	52.2	49.2	19.0	2.40
50	UCF210	143	40.0	111	157	22	16	54.6	51.6	19.0	2.60
55	UCF211	162	43.0	130	184	25	19	58.4	55.6	22.2	3.60
60	UCF212	175	48.0	143	202	29	19	68.7	65.1	25.4	4.80
65	UCF213	187	50.0	149	210	30	19	69.7	65.1	25.4	5.80
70	UCF214	193	54.0	152	216	31	19	75.4	74.6	30.2	6.60
75	UCF215	200	56.0	159	225	34	19	78.5	77.8	33.3	7.70
80	UCF216	208	58.0	165	233	34	23	83.3	82.6	33.3	8.20
85	UCF217	220	63.0	175	248	36	23	87.6	85.7	34.1	9.60
90	UCF218	235	68.0	187	265	40	23	96.3	96.0	39.7	12.10



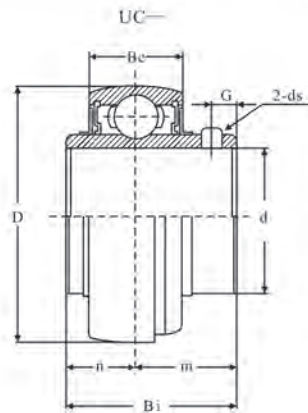
UNIT BEARINGS



Bore Dia of Bearings		UNIT Number	Dimensions					
d			D		Bj		Bc	
mm	in		mm	in	mm	in	mm	in
20		Uc204	47.00		31.00		17.00	
	3/4	UC204-12		1.8504		1.2205		0.6693
25		Uc205	52.00		34.10		17.00	
	7/8	UC205-14						
	15/16	UC205-15		2.0472		1.3425		0.6693
	1	UC205-16						
30		Uc206	62.00		38.10		19.00	
	1-1/8	UC206-18						
	1-3/16	UC206-19		2.4409		1.5000		0.7480
	1-1/4	UC206-20						
35		Uc207	72.00		42.90		20.00	
	1-1/4	UC207-20						
	1-5/16	UC207-21						
	1-3/8	UC207-22		2.8346		1.6890		0.7874
	1-7/16	UC207-23						
40		UC-208	80.00		49.20		21.00	
	1-1/2	UC208-24		3.1496		1.9370		0.8268
	1-9/16	UC208-25						
45		Uc209	85.00		49.20		22.00	
	1-5/8	UC209-26						
	1-11/16	UC209-27		3.3465		2.0315		0.8661
	1-3/4	UC209-28						
50		Uc210	90.00		51.60		24.00	
	1-7/8	UC210-30						
	1-15/16	UC210-31		3.5433		2.1890		0.9449
	2	UC210-32						
55		Uc211	100.00		55.60		25.00	
	2	UC211-32						
	2-1/8	UC211-34		3.9370		3.9370		0.9843
	2-3/16	UC211-35						
60		Uc212	110.00		65.10		27.00	
65		Uc213	120.00		65.10		28.00	



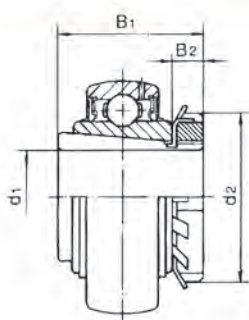
UNIT BEARINGS



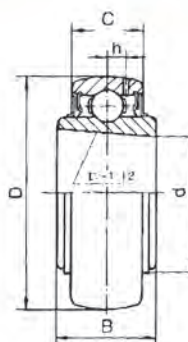
Dimensions								Weight
n		m		G		ds		kg
mm	in	mm	in	mm	in	mm	in	
12.70		18.30		5.00		M6X1.0		0.16
	0.5000		0.7205		0.1969	1/4-28UNF	1/4-28UNF	0.16
14.30		19.80		5.50		M6X1.0		0.20
								0.23
	0.5630		0.7795		0.2165	1/4-28UNF	1/4-28UNF	0.21
								0.20
159.90		22.20		6.00		M6X1.0		0.32
								0.34
	0.6260		0.8740		0.2362	1/4-28UNF	1/4-28UNF	0.32
								0.32
17.50		25.40		6.50		M8X1.0		0.48
								0.54
								0.51
	0.6890		1.0000		0.2559	5/16-24UNF	5/16-24UNF	0.48
								0.45
19.00		30.20		8.00		M8X1.0		0.64
	0.7480		1.1890		0.3150	5/16-24UNF	5/16-24UNF	0.68
								0.65
19.00		30.20		8.00		M8X1.0		0.68
								0.78
	0.7480		1.1890		0.3150	5/16-24UNF	5/16-24UNF	0.74
								0.70
19.00		32.60		9.00		M10X1.25		0.80
								0.87
	0.7480		1.2835		0.3543	3/8-24UNF	3/8-24UNF	0.82
								0.75
125.50		43.10		9.00		M10X1.25		1.11
								1.26
	0.4291		1.6969		0.3543		3/8-24UNF	1.15
								1.09
25.40		39.70		10.50		M10X1.25		1.53
25.40		39.70		12.00		M10X1.25		1.86



UNIT BEARINGS



UK2+H

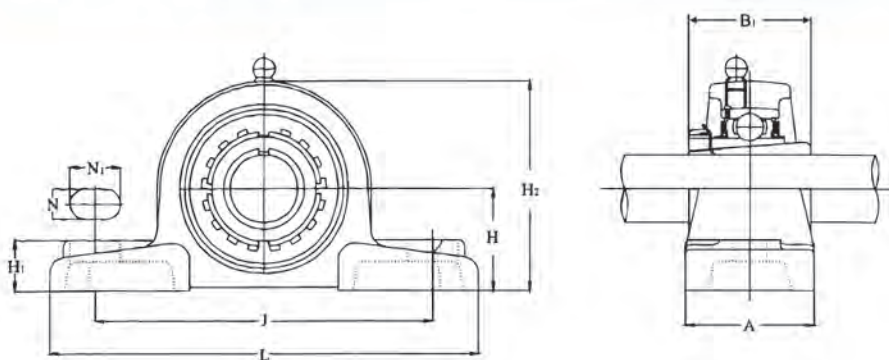


UK2

Bearing No	Shaft Dia		Dimensions (mm) (inch)							Basic load ratings (KN)		Weight (kg) (lb)	
	d ₁		D	B ₁	d	B	C	h	B ₂	d ₂	Cr		Cor
	(in)	(mm)											
UK205+H2308	3/4	20	52	35	25	23	17	4.2	8	38	14.0	7.8	0.24
UK205+HE2305			2.0472	1.3780	0.9842	0.9055	0.6693	0.1654	0.3150	1.4961			0.53
UK206+H2306	7/8	25	62	38	30	26	19	4.8	8	45	19.4	11.2	0.40
UK206+HS2306													
UK206+HA2306	15/16		2.4409	1.4961	1.1811	1.0236	0.7480	0.1890	0.3160	1.7716			0.88
UK206+HE2306	1												
UK207+H2307	1 1/8	30	72	43	35	27	20	5.4	9	52	25.6	15.2	0.53
UK207+HS2307													
UK207+HA2307	1 3/16		2.8346	1.6929	1.3780	1.0630	0.7874	0.2126	0.3543	2.0472			1.17
UK208+H2308	1 1/4	35	80	46	40	29	21	5.9	10	58	32.6	19.8	0.69
UK208+HE2308													
UK208+HS2308	1 3/8		3.1496	1.8110	1.5748	1.1417	0.8268	0.2323	0.3937	2.2835			1.52
UK209+H2309	1 7/16	40	85	50	45	30	22	6.1	11	65	32.7	20.4	0.77
UK209+HA2309													
UK209+HE2309	1 1/2		3.3464	1.9685	1.7716	1.1811	0.8661	0.2402	0.4331	2.5590			1.70
UK209+HS2309	1 5/8												
UK210+H2310	1 11/16	45	90	55	50	31	24	6.5	12	70	35.0	23.1	0.93
UK210+HA2310													
UK210+HE2310	1 3/4		3.5433	2.1654	1.9685	1.2205	0.9449	0.2559	0.4724	2.7559			2.05
UK211+H2311	1 7/8	50	100	59	55	33	25	7.1	12	75	43.3	29.2	1.25
UK211+HS2311													
UK211+HA2311	1 5/8		3.9370	2.3228	2.1654	1.2992	0.9842	0.2792	0.4724	2.9528			2.75
UK211+HE2311	2												
UK212+H2312	2 1/8	55	110	62	60	36	27	7.6	13	80	47.7	32.9	1.56
UK212+HS2312													
UK212+HA2312	2 1/4		4.3307	2.4409	2.3622	1.4173	1.0630	0.2992	0.5118	3.1496			3.44
UK212+HE2312	2 3/8												
UK213+H2313	2 3/16	60	120	65	65	38	28	8.5	14	85	57.2	40.0	1.95
UK213+HA2313													
UK213+HE2313	2 1/4		4.7224	2.5590	2.5590	1.4961	1.1024	0.3346	0.5512	3.3464			4.30
UK213+HS2313	2 3/8												
UK215+H2315	2 7/16	65	130	73	75	41	32	9.0	15	98	66.1	49.5	2.59
UK215+HA2315													
UK215+HE2315	2 1/2		5.1181	2.8740	2.9528	1.6142	1.2598	0.3543	0.5908	3.8583			5.70
UK216+H2316	2 11/16	70	140	78	80	44	33	9.0	17	105	72.5	53.0	3.26
UK216+HA2316													
UK216+HE2316	2 1/2		5.5110	3.0709	3.1496	1.7323	1.2992	0.3543	0.6693	4.1338			7.18
UK217+H2317	2 15/16	75	150	82	85	46	35	10.0	18	110	83.5	64.0	3.93
UK217+HA2317													
UK217+HE2317	3		5.9055	3.2283	3.3464	1.8110	1.3780	0.3937	0.7087	4.3307			8.66
UK218+H2318		80	160	86	90	49	37	10.5	18	120	96.0	71.5	4.68
			6.2992	3.3858	3.5433	1.9291	1.4567						10.31



PILLOW BLOCKS UKP+H



Shaft Diameter (mm)	UNIT Number	Dimensions(mm)										Weight (kg)
		L	A	J	H1	H	N	N1	H2	B1		
20	UKP205+H2305K	140	38	105	16	36.5	13	19	70	35	0.87	
25	UKP206+H2306X	165	48	121	18	42.9	17	21	83	38	1.44	
30	UKP207+H2307X	167	48	127	19	47.6	17	21	94	43	1.78	
35	UKP208+H2308X	184	54	137	19	49.2	17	23	100	46	2.20	
40	UKP209+H2309X	190	54	146	20	54.0	17	23	108	50	2.40	
45	UKP210+H2310X	206	60	159	22	57.2	20	25	114	55	2.90	
50	UKP211+H2311X	219	60	171	22	63.5	20	25	126	59	3.50	
55	UKP212+H2312X	241	70	184	25	69.8	20	25	138	62	4.80	
60	UKP213+H2313X	265	70	203	27	76.2	25	29	150	65	5.70	
65	UKP215+H2315X	275	74	217	28	82.6	25	31	163	73	7.50	
70	UKP216+H2316X	292	78	232	28	88.9	25	31	175	78	9.44	
75	UKP217+H2317X	310	83	247	28	95.2	25	31	187	82	11.55	
80	UKP218+H2318X	327	88	262	30	101.6	27	33	200	86	13.37	



MAINTENANCE RADIAL SPHERICAL PLAIN BEARING

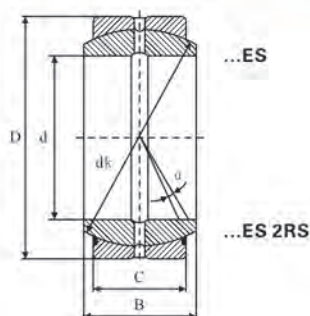




MAINTENANCE RADIAL SPHERICAL PLAIN BEARING

GE...E
GE...ES
GE...ES 2RS series

sliding contact surface: steel/steel



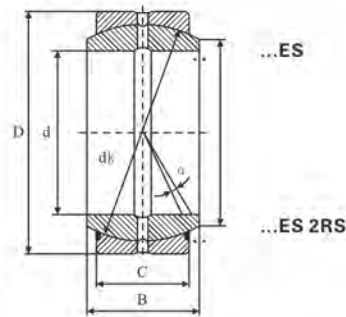
Designation	Seal ring	Dimension(mm)					Basic load rating kN		Angle	Weight
		d	D	B	C	dk	dynamic Cr	static Cor	α° ≈	kg ≈
GE6E (1)		6	14	6	4	10	3.40	17.0	13	0.004
GE8E (1)		8	16	8	5	13	5.50	27.5	15	0.007
GE10E (1)		10	19	9	6	16	8.15	40.5	12	0.011
GE12E (1)		12	22	10	7	18	10.80	54.0	10	0.016
GE15ES		15	26	12	9	22	17.00	85.0	8	0.025
GE17ES		17	30	14	10	25	21.20	106.0	10	0.041
GE20ES	GE 20 ES 2RS	20	35	16	12	29	30.00	146.0	9	0.061
GE25ES	GE 25 ES 2RS	25	42	20	16	35	48.00	240.0	7	0.110
GE30ES	GE 30 ES 2RS	30	47	22	18	40	62.00	310.0	6	0.140
GE35ES	GE 35 ES 2RS	35	55	25	20	47	80.00	400.0	6	0.220
GE40ES	GE 40 ES 2RS	40	62	28	22	53	100.00	500.0	7	0.300
GE45ES	GE 45 ES 2RS	45	68	32	25	60	127.00	640.0	7	0.100
GE50ES	GE 50 ES 2RS	50	75	35	28	66	156.00	780.0	6	0.540
GE60ES	GE 60 ES 2RS	60	90	44	36	80	245.00	1220.0	6	1.000
GE70ES	GE 70 ES 2RS	70	105	49	40	92	315.00	1560.0	6	1.500
GE80ES	GE 80 ES 2RS	80	120	55	45	105	400.00	2000.0	6	2.200
GE90ES	GE 90 ES 2RS	90	130	60	50	115	490.00	2450.0	5	2.700
GE100ES	GE 100 ES 2RS	100	150	70	55	130	610.00	3050.0	7	4.300
GE110ES	GE 110 ES 2RS	110	160	70	55	140	655.00	3250.0	6	4.700
GE120ES	GE 120 ES 2RS	120	180	85	70	160	950.00	4750.0	6	8.000
GE140ES	GE 140 ES 2RS	140	210	90	70	180	1080.00	5400.0	7	11.000
GE160ES	GE 160 ES 2RS	160	230	105	80	200	1370.00	6800.0	8	13.500
GE180ES	GE 180 ES 2RS	180	260	105	80	225	1530.00	7650.0	6	18.500
GE200ES	GE 200 ES 2RS	200	290	130	100	250	2120.00	10600.0	7	28.000
GE220ES	GE 220 ES 2RS	220	320	135	100	275	2320.00	11600.0	8	35.500
GE240ES	GE 240 ES 2RS	240	340	140	100	300	2550.00	12700.0	8	40.000
GE260ES	GE 260 ES 2RS	260	370	150	110	325	3050.00	15300.0	7	50.000



MAINTENANCE RADIAL SPHERICAL PLAIN BEARING

GE...E
GE...ES 2RS series

Sliding contact surface: steel/steel
Same structure as GE...ES series ,inch dimension



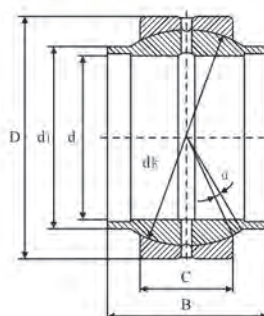
Designation	Seal ring	Dimension(mm)					Basic load rating kN		Angle	Weight
		d	D	B	C	dk	dynamic Cr	static Cor	α° ≈	kg ≈
GEZ 12 ES		12.700	22.225	11.100	9.525	18.3	14.78	73.9	6	0.022
GEZ 15 ES		15.875	26.988	13.894	11.913	22.8	23.11	115.5	6	0.036
GEZ 19 ES		19.050	31.750	16.662	14.275	27.4	33.29	166.5	6	0.053
GEZ 22 ES		22.225	36.513	19.431	16.662	31.9	45.29	226.5	6	0.085
GEZ 25 ES	GEZ 25 ES 2RS	25.400	41.275	22.225	19.050	36.5	59.16	295.8	6	0.121
GEZ 31 ES	GEZ 31 ES 2RS	31.750	50.800	27.762	23.800	45.6	92.29	461.4	6	0.232
GEZ 34 ES	GEZ 34 ES 2RS	34.925	55.563	30.150	26.187	49.2	109.55	547.8	6	0.351
GEZ 38 ES	GEZ 38 ES 2RS	38.100	61.913	33.325	28.575	54.7	132.55	664.5	6	0.422
GEZ 44 ES	GEZ 44 ES 2RS	44.450	71.438	38.887	33.325	63.5	179.96	899.8	6	0.641
GEZ 50 ES	GEZ 50 ES 2RS	50.800	80.963	44.450	38.100	82.0	298.72	1493.6	6	0.932
GEZ 57 ES	GEZ 57 ES 2RS	57.150	90.488	50.013	42.850	73.0	236.39	1181.9	6	1.330
GEZ 63 ES	GEZ 63 ES 2RS	63.500	100.013	55.550	47.625	91.2	369.09	1845.5	6	1.850
GEZ 69 ES	GEZ 69 ES 2RS	69.850	111.125	61.112	52.375	100.3	446.41	2232.0	6	2.420
GEZ 76 ES	GEZ 76 ES 2RS	76.200	120.650	66.675	57.150	109.5	532.08	2660.4	6	3.100
GEZ 82 ES	GEZ 82 ES 2RS	82.550	130.175	72.238	61.900	118.7	624.59	3122.9	6	3.820
GEZ 88 ES	GEZ 88 ES 2RS	88.900	139.700	77.775	66.675	128.0	725.59	3627.9	6	4.790
GEZ 95 ES	GEZ 95 ES 2RS	95.250	149.225	83.337	71.425	137.0	831.56	4157.8	6	5.780
GEZ 101 ES	GEZ 101 ES 2RS	101.600	158.750	88.900	76.200	146.0	945.57	4727.9	6	6.990
GEZ 107 ES	GEZ 107 ES 2RS	107.950	168.275	94.463	80.950	155.0	1066.03	5330.2	6	8.410
GEZ 114 ES	GEZ 114 ES 2RS	114.300	177.800	100.013	85.725	164.5	1198.56	5992.8	6	9.790
GEZ 120 ES	GEZ 120 ES 2RS	120.650	187.325	105.562	90.475	173.4	1333.72	6668.6	6	11.500
GEZ 127 ES	GEZ 127 ES 2RS	127.000	196.850	111.125	95.250	182.6	1478.42	7392.1	6	13.500
GEZ 152 ES	GEZ 152 ES 2RS	152.400	222.250	120.650	104.775	207.2	1845.66	9228.3	5	17.500
GEZ 165 ES	GEZ 165 ES 2RS	165.100	247.650	123.825	103.175	222.8	1953.77	9768.8	7	22.900
GEZ 177 ES	GEZ 177 ES 2RS	177.800	266.700	133.350	111.125	239.9	2266.61	11333.0	7	28.600
GEZ 190 ES	GEZ 190 ES 2RS	190.500	285.750	142.875	119.050	257.0	2601.28	13006.4	7	35.100
GEZ 203 ES	GEZ 203 ES 2RS	203.200	304.800	152.400	127.000	274.2	2960.46	14802.3	7	42.600
GEZ 215 ES	GEZ 215 ES 2RS	215.900	323.850	161.925	134.925	291.3	3341.30	16706.5	7	51.100



MAINTENANCE RADIAL SPHERICAL PLAIN BEARING

GE...LO series

Sliding contact surface: steel/steel



GE...LO

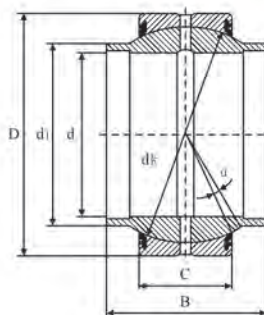
Designation	Dimension(mm)						Basic load rating kN		Angle	Weight
	d	D	B	C	dk	d1	dynamic Cr	static Cor	α° ≈	kg ≈
GE 12 LO	12	22	12	7	18	15.5	10.8	54	4	0.020
GE 16 LO	16	28	16	9	23	20.0	17.6	88	4	0.030
GE 20 LO	20	35	20	12	29	25.0	30.0	146	4	0.070
GE 25 LO	25	42	25	16	35	30.0	48.0	240	4	0.120
GE 30 LO	30	47	30	18	40	34.0	62.0	310	4	0.168
GE 32 LO	32	52	32	18	44	37.0	67.0	335	4	0.200
GE 35 LO	35	55	35	20	47	40.0	79.0	399	4	0.253
GE 40 LO	40	62	40	22	53	56.0	100.0	500	4	0.340
GE 50 LO	50	75	50	28	66	57.0	156.0	780	4	0.560
GE 63 LO	63	95	63	36	83	71.5	255.0	1270	4	1.200
GE 70 LO	70	105	70	40	92	78.0	315.0	1560	4	1.700
GE 80 LO	80	120	80	45	105	91.0	400.0	2000	4	2.400
GE 90 LO	90	130	90	50	115	99.0	490.0	2450	4	3.200
GE 100 LO	100	150	100	55	130	113.0	610.0	3050	4	4.800
GE 110 LO	110	160	110	55	140	124.0	655.0	3250	4	5.800
GE 125 LO	125	180	125	70	160	138.0	950.0	4750	4	8.500
GE 160 LO	160	230	160	80	200	177.0	137.0	6800	4	16.500
GE 200 LO	200	290	200	100	250	221.0	2120	10600	4	32.000



MAINTENANCE RADIAL SPHERICAL PLAIN BEARING

GE...HO 2RS series

Sliding contact surface: steel/steel



GE...HO 2RS

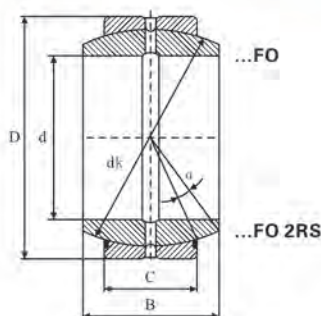
Designation	Dimension(mm)						Basic load rating kN		Angle	Weight
	d	D	B	C	dk	d1	dynamic Cr	static Cor	α° ≈	kg ≈
GE 17 HO 2RS	17	30	21	10	25	21.0	21.2	106	3	0.400
GE 20 HO 2RS	20	35	24	12	29	24.0	30.0	146	6	0.057
GE 25 HO 2RS	25	42	29	16	35	29.0	48.0	240	4	0.100
GE 30 HO 2RS	30	47	30	18	40	33.5	62.0	310	4	0.140
GE 35 HO 2RS	35	55	35	2	47	39.5	80.0	400	4	0.240
GE 40 HO 2RS	40	62	38	22	53	45.0	100.0	500	4	0.290
GE 45 HO 2RS	45	68	40	25	60	51.0	127.0	640	4	0.430
GE 50 HO 2RS	50	75	43	28	66	57.0	156.0	780	4	0.540
GE 60 HO 2RS	60	90	54	36	80	68.0	245.0	1220	3	1.100
GE 70 HO 2RS	70	105	65	40	92	78.0	315.0	1560	4	1.600
GE 80 HO 2RS	80	120	74	45	105	89.0	400.0	2000	4	2.400



MAINTENANCE RADIAL SPHERICAL PLAIN BEARING

GE...FO
GE...FO 2RS series

Sliding contact surface: steel/steel



Designation	Seal ring	Dimension(mm)					Basic load rating kN		Angle	Weight
		d	D	B	C	dk	dynamic Cr	static Cor	α° ≈	kg ≈
GE 6 FO (1)		6	16	9	5	13	5.50	27.5	21	0.008
GE 8 FO (1)		8	19	11	6	16	8.15	40.5	21	0.014
GE 10 FO (1)		10	22	12	7	18	10.80	54.0	18	0.020
GE 12 FO (1)		12	26	15	9	22	17.00	85.0	18	0.034
GE 15 FO	GE 15 FO 2RS	15	30	16	10	25	21.20	106.0	16	0.046
GE 17 FO	GE 17 FO 2RS	17	35	20	12	29	30.00	146.0	19	0.078
GE 20 FO	GE 20 FO 2RS	20	42	25	16	35	48.00	240.0	17	0.150
GE 25 FO	GE 25 FO 2RS	25	47	28	18	40	62.00	310.0	17	0.190
GE 30 FO	GE 30 FO 2RS	30	55	32	20	47	80.00	400.0	17	0.290
GE 35 FO	GE 35 FO 2RS	35	62	35	22	53	100.00	500.0	16	0.390
GE 40 FO	GE 40 FO 2RS	40	68	40	25	60	127.00	640.0	17	0.520
GE 45 FO	GE 45 FO 2RS	45	75	43	28	66	156.00	780.0	15	0.680
GE 50 FO	GE 50 FO 2RS	50	90	56	36	80	245.00	1220.0	17	1.400
GE 60 FO	GE 60 FO 2RS	60	105	63	40	92	315.00	1560.0	17	2.000
GE 70 FO	GE 70 FO 2RS	70	120	70	45	105	400.00	2000.0	16	2.900
GE 80 FO	GE 80 FO 2RS	80	130	75	50	115	490.00	2450.0	14	3.500
GE 90 FO	GE 90 FO 2RS	90	150	85	55	130	610.00	3050.0	15	5.400
GE 100 FO	GE 100 FO 2RS	100	160	85	55	140	655.00	3250.0	14	5.900
GE 110 FO	GE 110 FO 2RS	110	180	100	70	160	950.00	4750.0	12	9.700
GE 120 FO	GE 120 FO 2RS	120	210	115	70	180	1080.0	5400.0	16	15.00
GE 140 FO	GE 140 FO 2RS	140	230	130	80	200	1370.0	6800.0	16	18.5
GE 160 FO	GE 160 FO 2RS	160	260	135	80	225	1530.00	7650.0	16	25.000
GE 180 FO	GE 180 FO 2RS	180	290	155	100	250	2120.00	10600.0	14	35.500
GE 200 FO	GE 200 FO 2RS	200	320	165	100	275	2320.00	11600.0	15	45.000

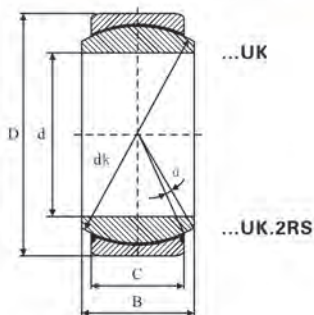


MAINTENANCE-FREE RADIAL SPHERICAL PLAIN BEARING

GE...UK
GE...UK 2RS series

GE...UK; STEEL/PTFE
Extrusion outer ring, spherical inner ring
with chrome finishing

GE...UK 2RS: STEEL/PTFE
Seal ring on both sides, spherical of inner ring
with chrome finishing



Designation	Seal ring	Dimension(mm)					Basic load rating kN		Angle α° ≈	Weight kg ≈	
		d	D	B	C	dk	dynamic Cr	static Cor			
GE 6 UK		6	14	6	4	10	3.6	9	13	0.004	
GE 8 UK		8	16	8	5	13	5.85	14.6	15	0.007	
GE 10 UK		10	19	9	6	16	8.65	21.6	12	0.011	
GE 12 UK		12	22	10	7	18	11.4	28.5	10	0.016	
GE 15 UK		15	26	12	9	22	17.6	44	8	0.025	
GE 17 UK	GE 17 UK 2RS (1)	17	30	14	10	25	22.40	30.0(1)	56 60 (1)	10	0.038
GE 20 UK	GE 20 UK 2RS (1)	20	35	16	12	29	34.5	41.5(1)	78 83 (1)	9	0.061
GE 25 UK	GE 25 UK 2RS (1)	25	42	20	16	35.5	51.00	68.0(1)	127 137 (1)	7	0.110
GE 30 UK	GE 30 UK 2RS (1)	30	47	22	18	40.7	65.50	68.0(1)	166 176 (1)	6	0.140
	GE 35 UK 2RS	35	55	25	20	47	112	224	6	0.220	
	GE 40 UK 2RS	40	62	28	22	53	140	280	7	0.300	
	GE 45 UK 2RS	45	68	32	25	60	180	360	7	0.400	
	GE 50 UK 2RS	50	75	35	28	66	220	440	6	0.540	
	GE 60 UK 2RS	60	90	44	36	80	345	695	6	1.000	
	GE 70 UK 2RS	70	105	49	40	92	440	880	6	1.500	
	GE 80 UK 2RS	80	120	55	45	105	570	1140	6	2.200	
	GE 90 UK 2RS	90	130	60	50	115	690	1370	5	2.700	
	GE 100 UK 2RS	100	150	70	55	130	865	1730	7	4.300	
	GE 110 UK 2RS	110	160	70	55	140	930	1860	6	4.700	
	GE 120 UK 2RS	120	180	85	70	160	1340	2700	6	8.000	
	GE 140 UK 2RS	140	210	90	70	180	1500	3000	7	11.000	
	GE 160 UK 2RS	160	230	105	80	200	1930	3800	8	13.500	
	GE 180 UK 2RS (2)	180	260	105	80	225	2160	4300	6	18.500	
	GE 200 UK 2RS (2)	200	290	130	100	250	3000	6000	7	28.000	
	GE 220 UK 2RS (2)	220	320	135	100	275	3350	6550	8	35.500	
	GE 240 UK 2RS (2)	240	340	140	100	300	3600	7200	8	40.000	
	GE 260 UK 2RS (2)	260	370	150	110	325	4300	8650	7	50.000	

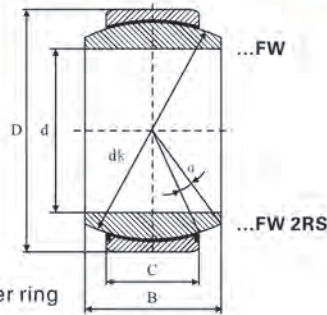


MAINTENANCE-FREE RADIAL SPHERICAL PLAIN BEARING

GE...UK
GE...UK 2RS series

GE...UK: STEEL/PTFE
Extrusion outer ring

GE...FW 2RS:STEEL/PTFE
Seal ring on both sides,spherical inner ring
with chrome finishing



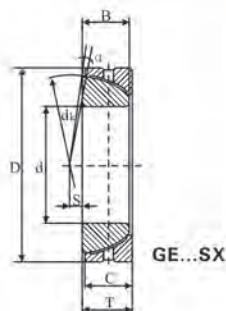
Designation	Seal ring	Dimension(mm)					Basic load rating kN		Angle α° ≈	Weight kg ≈		
		d	D	B	C	dk	dynamic Cr	static Cor				
GE 6 FW		6	16	9	5	13	5.85	14.6	21	0.008		
GE 8 FW		8	19	11	6	16	8.65	21.6	21	0.014		
GE 10 FW		10	22	12	7	18	11.40	28.5	18	0.020		
GE 12 FW		12	26	15	9	22	17.60	44.0	18	0.034		
GE 15 FW		15	30	16	10	25	22.40	56.0	16	0.046		
GE 17 FW		17	35	20	12	29	31.50	78.0	19	0.078		
GE 20 FW	GE 20 FW 2RS (1)	20	42	25	16	35	51	67 (1)	127	135 (1)	17	0.150
GE 25 FW	GE 25 FW 2RS (1)	25	47	28	18	40	65.5	86.4 (1)	166	174 (1)	17	0.190
	GE 30 FW 2RS (1)	30	55	32	20	47	112.00		224.0		17	0.290
	GE 35 FW 2RS	35	62	35	22	53	140.00		280.0		16	0.390
	GE 40 FW 2RS	40	68	40	25	60	180.00		360.0		17	0.520
	GE 45 FW 2RS	45	75	43	28	66	220.00		440.0		15	0.680
	GE 50 FW 2RS	50	90	56	36	80	345.00		695.0		17	1.400
	GE 60 FW 2RS	60	105	63	40	92	440.00		880.0		17	2.000
	GE 70 FW 2RS	70	120	70	45	105	570.00		1140.0		16	2.900
	GE 80 FW 2RS	80	130	75	50	115	695.00		1370.0		14	3.500
	GE 90 FW 2RS	90	150	85	55	130	865.00		1730.0		15	5.400
	GE 100 FW 2RS	100	160	85	55	140	930.00		1860.0		14	5.900
	GE 110 FW 2RS	110	180	100	70	160	1340.00		2700.0		12	9.700
	GE 120 FW 2RS	120	210	115	70	180	1500.00		3000.0		16	15.000
	GE 140 FW 2RS	140	230	130	80	200	1930.00		3800.0		16	18.500
	GE 160 FW 2RS	160	260	135	80	225	2160.00		4300.0		16	25.000
	GE 180 FW 2RS (2)	180	290	155	100	250	3000.00		6000.0		14	35.500
	GE 200 FW 2RS (2)	200	320	165	100	275	3350.00		6550.0		15	45.000



MAINTENANCE RADIAL SPHERICAL PLAIN BEARING

GE...SX series

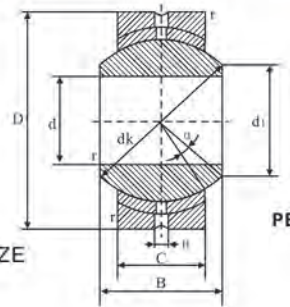
Sliding contact surface STEEL/STEEL
Separable of inner ring and outer ring



Designation	Dimension(mm)							Basic load rating kN		Angle	Weight
	d	D	T	dk	B	C	S	dynamic Cr	static Cor	α° ≈	kg ≈
GE 25 SX	25	47	15	42.5	14	14	1	47.5	236	3.5	0.148
GE 28 SX	28	52	16	47	15	15	1	60.0	300	3.0	1.180
GE 30 SX	30	55	17	50	16	16	2	63.0	315	3.0	0.208
GE 35 SX	35	62	18	56	17	17	2	76.5	390	3.0	0.268
GE 40 SX	40	68	19	60	18	18	1.5	90.0	450	3.0	0.327
GE 45 SX	45	75	20	66	19	19	1.5	106	530	3.0	0.416
GE 50 SX	50	80	20	74	19	19	4	118	585	3.0	0.455
GE 55 SX	55	90	23	80	22	22	4	146	735	3.0	0.645
GE 60 SX	60	95	23	86	22	22	5	160	800	3.0	0.714
GE 65 SX	65	100	23	92	22	22	5	173	865	2.5	0.759
GE 70 SX	70	110	25	102	24	24	7	208	1,040	2.5	1.040
GE 80 SX	80	125	29	115	27	27	10	250	1,250	2.5	1.540
GE 90 SX	90	140	32	130	30	30	11	320	1,600	2.5	2.090
GE 100 SX	100	150	32	140	30	30	12	345	1,760	2.0	2.340
GE 110 SX	110	170	38	160	36	36	15	475	2,360	2.0	3.680
GE 120 SX	120	180	38	170	36	36	17	510	2,550	2.0	3.970
GE 130 SX	130	200	45	190	42	42	20	640	3,200	1.0	5.920
GE 140 SX	140	210	45	200	42	42	20	680	3,450	1.0	6.330
GE 150 Sx	150	225	48	213	45	45	21	780	3,900	1.0	8.010
GE 160 SX	160	240	51	225	48	48	21	900	4,500	1.0	9.420
GE 170 SX	170	260	57	250	54	54	27	1,100	5,500	1.0	12.300
GE 180 SX	180	280	64	260	61	61	21	1,320	6,700	1.0	17.400
GE 190 SX	190	290	64	275	61	61	29	1,370	6,950	1.5	18.200
GE 200 SX	200	310	70	290	66	66	26	1,560	7,800	1.0	22.500



INLAID TYPE, EXTRUSION OUTER RING RADIAL SPHERICAL PLAIN BEARING



PB series

Sliding contact surface: STEEL/BRONZE
Outer ring with bronze insert

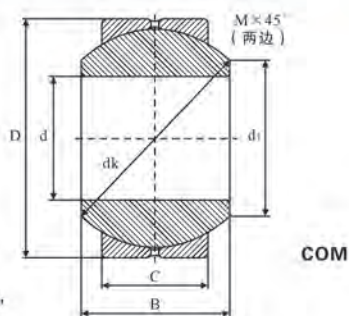
Designation	Dimension(mm)							Basic load rating kN		Angle	Weight
	d	D	T	dk	B	C	S	dynamic Cr	static Cor	α° ≈	kg ≈
PB 5	5	16	6	8	7.7	1.2	0.5	11.112	3.3	7.8	0.008
PB 6	6	18	6.75	9	8.96	1.2	0.5	12.700	4.3	9.8	0.013
PB 8	8	22	9	12	10.39	1.2	0.5	15.875	6.8	16.0	0.024
PB 10	10	26	10.5	14	12.91	1.5	0.5	19.050	10.0	23.0	0.039
PB 12	12	30	12	16	15.42	1.5	0.5	22.225	13.0	31.0	0.058
PB 14	14	34	13.5	19	16.85	1.5	0.5	25.400	17.0	40.0	0.084
PB 16	16	38	15	21	19.37	1.5	0.5	28.575	31.0	50.0	0.111
PB 18	18	42	16.5	23	21.89	2.0	0.5	31.750	26.0	61.0	0.160
PB 20	20	46	18	25	24.39	2.0	0.5	34.925	31.0	73.0	0.210
PB 22	22	50	20	28	25.84	2.0	0.5	38.100	38.0	88.0	0.260
PB 25	25	56	22	31	29.60	2.0	0.5	42.850	47.0	110.0	0.390
PB 30	30	66	25	37	34.80	3.0	0.5	50.080	63.0	148.0	0.610



EXTRUSION OUTER RING RADIAL SPHERICAL PLAIN BEARING

COM series

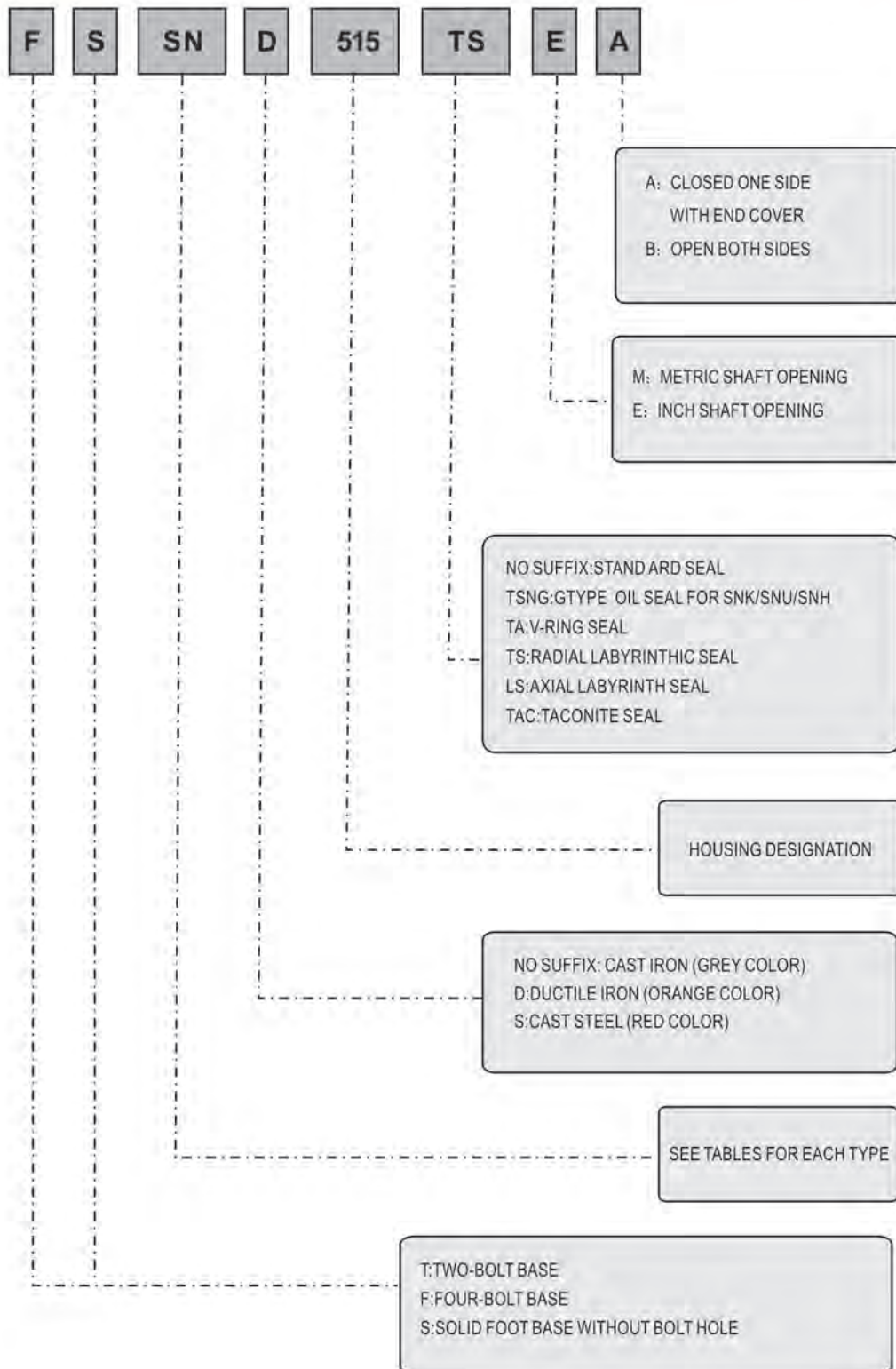
Sliding contact surface, STEEL/STEEL
 Extrusion outer ring
 Spherical inner ring with chrome finishing,
 inch Dimension



Designation	Dimension(mm)							Basic load rating kN	Weight
	d	D	C	B	d1	M	dk	static Cor	kg ≈
COM 3	4.8260	14.2875	5.537	7.137	7.422	0.381	10.312	14.5	0.006
COM 4	6.3500	16.6675	6.350	8.712	9.246	0.599	12.700	20.0	0.010
COM 5	7.9375	19.0500	7.137	9.525	10.643	0.813	14.275	28.8	0.014
COM 6	9.4615	20.3675	7.925	10.312	13.106	0.813	16.662	37.4	0.017
COM 7	11.1125	23.0175	8.712	11.100	14.453	0.813	17.450	45.4	0.022
COM 8	12.7000	25.4000	9.906	12.700	16.255	0.813	19.837	59.0	0.030
COM 10	15.8750	30.1625	12.700	15.875	19.812	0.813	24.587	94.7	0.050
COM 12	19.0500	29.0513	15.062	19.050	23.368	1.118	30.150	142.0	0.093
COM 14	22.2250	39.6875	17.856	22.225	24.892	1.118	33.350	186.7	0.119
COM 16	25.4000	44.4500	20.244	25.400	28.397	1.118	38.100	245.6	0.166



HOUSING DESIGNATION





SPLIT PILLOW BLOCKS/PLUMMER BLOCKS

Some sizes of housings listed below may not be available

SN500-600 Series
SN200-300 Series
Light duty



SD500-600 Series
Sd3000Series



SN500-600 Series
SN200-300 Series
Medium duty



SAF500-600 Series



Sn3000 Series
Sn3100 Series



SAF200-300 Series



SNK500-600 Series



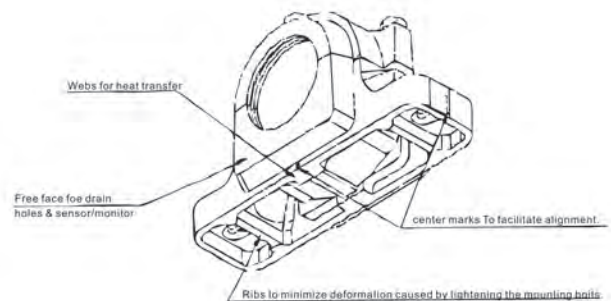
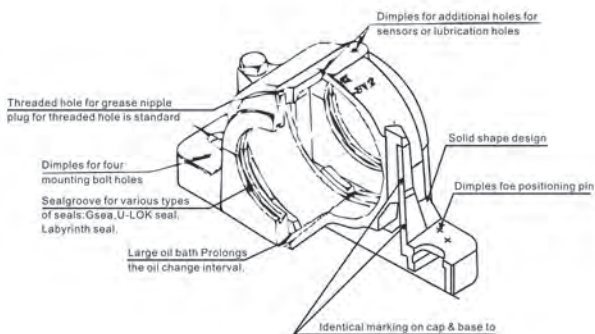
SDAF500-600 Series
SDAF200-300 Series
SDAF-2300-K Series



Sd3100 Series



SAF-230K Series





SPLIT PILLOW BLOCKS/PLUMMER BLOCKS

Split pillow blocks mentioned in this catalogue are casted and produced in accordance with the ISO/R 113-1994 standard.(B.S. 1642; 1969 standard, JIS B 1551- 1968 standard). The following tables show the standardization of materials and relative machining tolerance covering the housings and its accessories.

A: Housing

MATERIAL	ISO CODE	U.S. CODE	TENSILE STRENGTH kgf /mm ²	YIELD STRENGTH kgf /mm ²	ELONGATION
CAST IRON	GRADE 200 (FC 200)	ASTMA48 GRADE 35	20	—	—
DUCTILE IRON (S.G.)	GRADE 450-10 (FCD 450)	ASTMA536 GRAGE 65-45-12	45	30	10%
CAST STEEL	GRADE 230-450 (SC 460)	ASTMA27 GRADE 65-35	46	23	19%

B. Accessories:

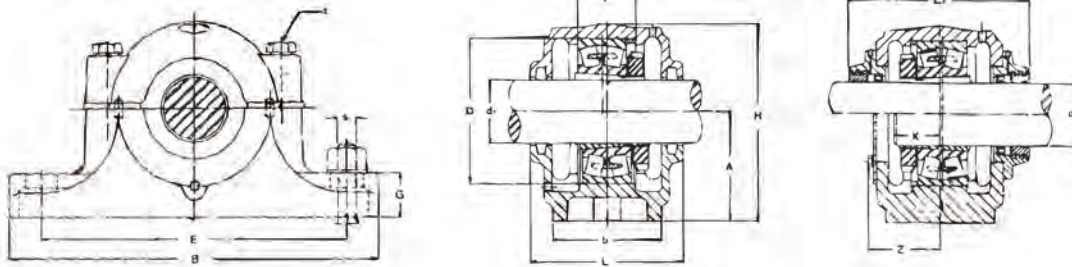
NAME	PART NO.	MATERIALS
FELT STRIP	FS	60%-80% WOOL, 20% RAYON,DENSITY 0.25g.cm ²
LOCATING RING	SR	MILD STEEL STRIP AISI 1010/AL UMINUM
HEXAGON BOLT	M	MILD STEEL,AISI 1010
ZF SEAL	ZF	NBR (Nitrile -Butadiene Rubber)
SC SEAL	OSM	NBR (Nitrile -Butadiene Rubber)
U-TYPE SEAL	U-500/U-600	NBR (Nitrile -Butadiene Rubber)
LABYRINTH SEAL	TS/LER	CAST IRON/AL UMINUM/STEEL
TACONITE CARRIER	TAC/TER/TACK	CAST IRON
END COVER	500NA/600NA	NBR (Nitrile -Butadiene Rubber)& THIN STEEL PLATE
END PLATE	P	THIN STEEL PLATE
END COVER	TSA	CAST IRON
END PLUG	EPR	NBR (Nitrile -Butadiene Rubber)&THIN STEEL PLATE
V-RING SEAL	TSNA-A	NBR (Nitrile -Butadiene Rubber)&THIN STEEL PLATE

Declaration: Weights listed in this catalog are subject to change without notice.



BEARING HOUSING & ACCESSORIES

SN- SSN 500 Series



HOUSING NO-	SHAFT DIA D1		D H8	B	b	G	F H13	A h13	L	H	E	E1	L1	X	Z	D2H12 Mm
	mm	in														
SN 505	20	3/4	52	165	46	22	25	40	67	75	130	25	-	22	-	21.5
SN 506	25	1	62	185	52	22	30	50	77	90	150	25	-	22	-	26.5
SN 507	30	1 1/8	72	185	52	22	33	50	82	95	150	25	-	24	-	31.5
SN 508	35	1 1/4	80	205	60	25	33	60	85	110	170	30	-	26	-	36.5
SN SSN 509	40	1 1/2	85	205	60	25	31	60	85	112	170	30	-	28	-	41.5
SN SSN 510	45	1 3/4	90	205	60	25	33	60	90	115	170	30	-	28	-	46.5
SN SSN 511	50	2	100	255	70	28	33	70	95	130	2103	35	160	30	54	51.5
SN SSN 512	55	2 1/8	110	255	70	30	38	70	105	135	210	35	172	32	62	56.5
SN SSN 513	60	2 1/4	120	275	80	30	43	80	110	150	230	40	172	36	62	62
SN SSN 515	65	2 1/2	130	280	80	30	41	80	115	155	230	40	182	38	68	67
SN SSN 516	70	2 3/4	140	315	90	32	43	95	120	175	260	50	184	40	68	72
SN SSN 517	75	3	150	320	90	32	46	95	125	185	260	50	184	42	70	77
SN SSN 518	80	3 1/4	160	345	100	35	62.4	100	145	195	290	50	204	50	81	82
SN SSN 519	85	—	170	345	100	35	53	112	140	210	290	50	-	-	-	87
SN SSN 520	90	3 1/2	180	380	110	40	70.3	112	160	218	320	60	224	54	90	92
SN SSN 522	100	4	200	410	120	45	80	125	175	240	350	70	232	60	92	102
SN SSN 524	110	4 1/4	215	410	120	45	86	140	185	270	350	70	248	64	95	113
SN SSN 526	115	4 1/2	230	445	130	50	90	150	190	290	380	70	268	64	100	118
SN SSN 528	125	5	250	500	150	50	98	150	205	305	420	80	286	70	108	128
SN SSN 530	135	5 1/4	270	530	160	60	106	160	220	325	450	90	304	76	113	138
SN SSN 532	140	5 1/2	290	550	160	60	114	170	235	345	470	90	320	80	122	143

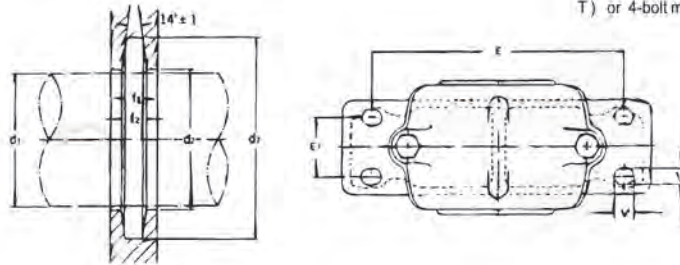


BEARING HOUSING & ACCESSORIES

SN- SSN 500 Series

NOTES:

Foot of standard housing SSN type is solid without mounting holes or can be precast as 2-bolt (with prefix T) or 4-bolt mounting holes (with prefix F).

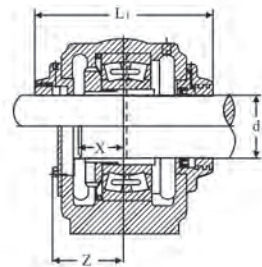
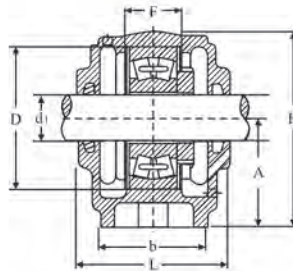
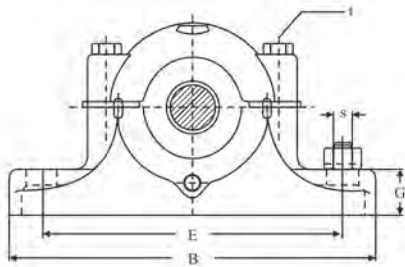


d3 H12	t	f1 H13	f2	u	v	S		WEIGHT kg		BEARING NO..		ADAPTER SLEEVES		LOCATING RING	
						2bolts	4bolts	SN5	SSN5	SELF-ALIGN BALL	SPHERICAL POLLER	METRIC	INCH	NUMBER	QTY
31	M8	3	4.2	15	20	M12	M8	1.5	2.3	1205K 2205K	- 22205K	H205 H305	HE205 HE305	52x5 52x7	2 1
38	M8	4	5.4	15	20	M12	M10	1.74	2.8	1206K 2206K	- 22206K	H206 H306	HE206 HE306	62x7 62x10	2 1
43	M10	4	5.4	15	20	M12	M10	1.9	3.2	1207K 2207K	- 22207K	H207 H307	HS207 HS307	72x8 72x10	2 1
48	M10	4	5.4	15	20	M12	M10	2.63	3.2	1208K 2208K	- 22208K	H208 H308	HE208 HE308	80x7.5 80x10	2 1
53	M10	4	5.4	15	20	M12	M10	2.64	3.7	1209K 2209K	- 22209K	H209 H309	HE209 HE309	85x6 85x8	2 1
58	M10	4	5.4	15	20	M12	M10	2.8	3.8	1210K 2210K	- 22210K	H210 H310	HE210 HE310	90x6.5 90x10	2 1
67	M12	5	6.9	18	23	M16	M12	4.32	6.2	1211K 2211K	- 22211K	H211 H311	HE211 HE311	100x6 100x8	2 1
72	M12	5	6.9	18	23	M16	M12	4.99	6.5	1212K 2212K	- 22212K	H212 H312	HS212 HS312	110x8 110x10	2 1
77	M12	5	6.8	18	23	M16	M12	5.64	8.3	1213K 2213K	- 22213K	H213 H313	HE213 HE313	120x10 120x12	2 1
82	M12	5	6.8	18	23	M16	M12	6.19	9.0	1215K 2215K	- 22215K	H215 H315	HE215 HE315	130x8 130x10	2 1
89	M16	6	8.1	22	27	M20	M12	8.17	12.1	1216K 2216K	- 22216K	H216 H316	HE216 HE316	140x8.5 140x10	2 1
94	M16	6	8.1	22	27	M20	M12	9.37	12.2	1217K 2217K	- 22217K	H217 H317	HE217 HE317	150x9 150x10	2 1
99	M16	6	8.1	22	27	M20	M16	11.5	15.2	1218K 2218K	- 23218K	H218 H318 H2318	HE218 HE318 HE2318	160x16.2 160x11.2 160x10	2 2 1
104	M16	6	8.1	22	28	M20	M16	13.5	17.7	1219K	- 22219K	H219 H319	HE219 HE319	170x10.5 170x10	2 1
111	M20	7	9.3	26	32	M24	M16	16.3	20.5	2220K	- 23220K	H320 H2320	HE320 HE2320	180x12.1 180x10	2 1
125	M20	8	10.8	26	32	M24	M16	25.1	29.2	2222K	- 23222K	H322 H2322	HE322 HE2322	200x13.5 200x10	2 1
135	M20	8	10.7	26	34	M24	M16	27.2	33	-	- 22224K 23224K	H3124 H2324	HE3124 HE2324	215x14 215x10	2 1
140	M24	8	10.7	28	35	M24	M20	35.2	40.9	-	- 22226K 23226K	H3126 H2326	HE3126 HE2326	230x13 230x10	2 1
154	M24	9	12.2	34	44	M30	M24	43.7	48.6	-	- 22228K 23228K	H3128 H2328	HE3128 HE2328	250x15 250x10	2 1
164	M24	9	12.2	34	42	M30	M24	45.3	56.2	-	- 22230K 23230K	H3130 H2330	HE3130 HE2330	270x16.5 270x10	2 1
173	M24	10	13.7	32	44	M30	M24	50.75	68.6	-	- 22232K 23232K	H3132 H2332	HE3132 HE2332	290x17 290x10	2 1



BEARING HOUSING & ACCESSORIES

SN- SSN 600 Series



HOUSING NO	NORMAL DIMENSIONS (mm)															
	SHAFT DIA. D1		D H8	B	b	G	F H13	A h13	L	H	E	E1	L1	X	d2H12 METRIC	d3 H 12
	mm	in														
SN 605	20	3/4	62	185	52	22	34	50	80	90	150	25	-	27	21.5	31
SN 606	25	1	72	185	52	22	37	50	82	95	150	25	-	27	26.5	38
SN 607	30	11/8	80	205	60	25	41	60	90	110	170	30	-	32	31.5	43
SN 608	35	11/4	90	205	60	25	43	60	95	115	170	30	-	34	36.5	48
SN SSN 609	40	11/2	100	255	70	28	46	70	105	130	210	35	-	36	41.5	53
SN SSN 610	45	13/4	110	255	70	30	50	70	115	135	210	35	-	39	46.5	58
SN SSN 611	50	2	120	275	80	30	53	80	120	150	230	40	185	40	51.5	67
SN SSN 612	55	21/8	130	280	80	30	56	80	125	155	230	40	185	44	56.5	72
SN SSN 613	60	21/4	140	315	90	32	58	95	130	175	260	50	200	46	62	77
SN SSN 615	65	21/2	160	345	100	35	65	100	140	195	290	50	210	51	67	82
SN SSN 616	70	23/4	170	345	100	35	68	112	145	212	290	50	210	52	72	89
SN SSN 617	75	3	180	380	110	40	70	112	155	218	320	60	220	56	77	94
SN SSN 618	80	31/4	190	400	110	33	74	112	160	230	335	60	225	58	82	99
SN SSN 619	85		200	420	120	36	77	125	170	245	350	70	235	60	87	104
SN SSN 620	90	31/2	215	420	120	38	83	140	175	280	350	70	240	64	92	111
SN SSN 622	100	4	240	460	130	40	90	150	190	300	390	70	258	69	102	125
SN SSN 624	110	41/4	260	540	160	50	96	160	205	325	450	90	280	73	113	135
SN SSN 626	115	41/2	280	560	160	50	103	170	215	350	470	90	300	77	118	140
SN SSN 628	125	5	300	630	170	55	112	180	235	375	520	90	320	83	128	154
SN SSN 630	135	51/4	320	680	180	55	118	190	245	395	560	90	340	88	138	164
SN SSN 632	140	51/2	340	710	190	60	124	200	255	415	580	100	350	93	143	173

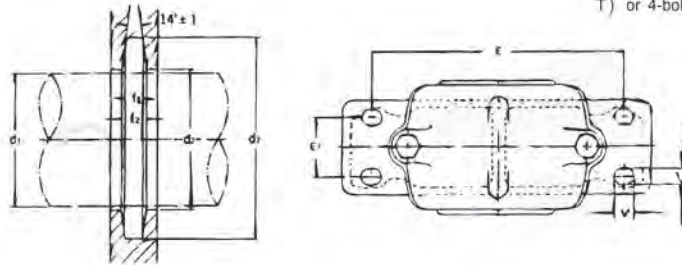


BEARING HOUSING & ACCESSORIES

SN-SSN 600 Series

NOTES:

Foot of standard housing SSN type is solid without mounting holes or can be precast as 2-bolt (with prefix T) or 4-bolt mounting holes (with prefix F).

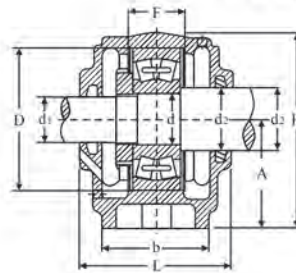
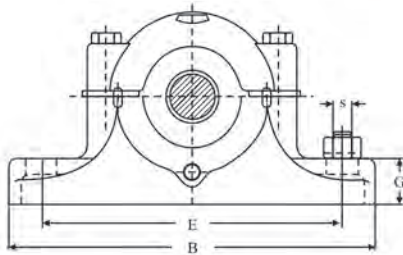


T	f1 H13	f2	u	v	S		WEIGHT kg		BEARING NO.		ADAPTER SLEEVES		LOCATING RING	
					2bolts	4bolts	Sn6	SSN6	SELF-ALIGN BALL	SPHERICAL ROLLER	METRIC	INCH	NUMBER	QTY
M8	3	4.2	16	20	M12	M10	2.11	-	1305K 2305K	-	H305 H2305	HE305 HE2305	62x8.5 62x10	2 1
M10	4	5.4	16	20	M12	M10	2.09	-	1306K 2306K	-	H306 H2306	HE306 HE2306	72x9 72x10	2 1
M10	4	5.4	16	20	M12	M10	3.4	4.1	1307K 2307K	-	H307 H2307	HE307 HE2307	80x10 80x10	2 1
M10	4	5.4	15	24	M12	M10	3.6	4.7	1308K 2308K	21308K 22308K	H308 H2308	HE308 HE2308	90x10 90x10	2 1
M12	4	5.4	19	25	M16	M12	5.3	6.8	1309K 2309K	21309K 22309K	H309 H2309	HE309 HE2309	100x10.5 100x10	2 1
M12	4	5.4	18	23	M16	M12	5.5	6.8	1310K 2310K	21310K 22310K	H310 H2310	HE310 HE2310	110x11.5 110x10	2 1
M12	5	6.9	20	28	M16	M12	6.9	9.0	1311K 2311K	21311K 22311K	H311 H2311	HE311 HE2311	120x12 120x10	2 1
M12	5	6.9	20	28	M16	M12	8.8	10.5	1312K 2312K	21312K 22312K	H312 H2312	HE312 HE2312	130x12.5 130x10	2 1
M16	5	6.8	22	30	M20	M12	9.8	12.4	1313K 2313K	21313K 22313K	H313 H2313	HE313 HE2313	140x12.5 140x10	2 1
M16	5	6.8	23	28	M20	M16	13.0	16.4	1315K 2315K	21315K 22315K	H315 H2315	HE315 HE2315	160x14 160x10	2 1
M16	6	8.1	23	30	M20	M16	15.5	19.7	1316K 2316K	21316K 22316K	H316 H2316	HE316 HE2316	170x14.5 170x10	2 1
M20	6	8.1	26	35	M24	M16	16.3	20.7	1317K 2317K	21317K 22317K	H317 H2317	HE317 HE2317	180x14.5 180x10	2 1
M20	6	8.1	27	38	M24	M16	20.0	24	1318K 2318K	- 22318K	H318 H2318	HE318 HE2318	190x15.5 190x10	2 1
M20	6	8.1	28	36	M24	M16	28.0	29.7	1319K 2319K	- 22319K	H319 H2319	HE319 HE2319	200x16 200x10	2 1
M20	7	9.3	27	33	M24	M16	30.5	37.1	1320K 2320K	- 22320K	H320 H2320	HE320 HE2320	215x18 215x10	2 1
M20	8	10.0	28	32	M24	M16	42	49.2	1322K 2322K	- 22322K	H322 H2322	HE322 HE2322	240x20 240x10	2 1
M24	8	10.7	34	42	M30	M20	59	72	-	22324K	H2324	HE2324	260x10	1
M24	8	10.7	34	42	M30	M20	61.5	80.9	-	22326K	H2326	HE2326	280x10	1
M30	9	12.2	34	46	M30	M20	88	105	-	22328K	H2328	HE2328	300x10	1
M30	9	12.2	38	44	M30	M20	89	115	-	22330K	H2330	HE2330	320x10	1
M30	10	13.7	40	52	M36	M24	127	145	-	22332K	H2332	HE2332	340x10	1



BEARING HOUSING & ACCESSORIES

SN-SSNZ 200 Series

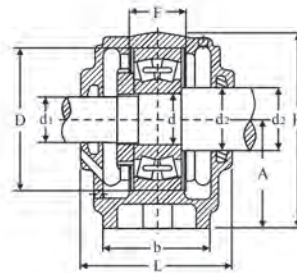
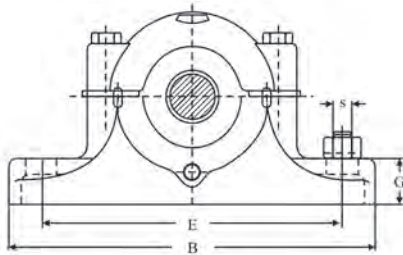


HOUSING NO.	SHAFT DIA.			NORMAL DIMENSIONS (mm)											ZF SEAL		LOCATING RING				
	d	d1	d2	D H8	B	b	G	F H13	A h13	L	H	E	BOLT S	SELF-ALIGN BALL	SPHERICAL ROLLER	LOCK NUT	LOCK WASHER	d1	d2	NUMBER	QTY
SNZ 205	25	20	30	52	165	46	22	25	40	67	75	130	M12	1205 2205	-	AN05	AW05	ZF5	ZF7	52×5 52×7	2 1
SNZ 206	30	25	35	62	185	52	22	30	50	77	90	150	M12	1206 2206	22206	AN06	AW06	ZF6	ZF8	62×7 62×10	2 1
SNZ 207	35	30	45	72	185	52	22	33	50	82	95	150	M12	1207 2207	22207	AN07	AW07	ZF7	ZF10	72×8 72×10	2 1
SNZ 208	40	35	50	80	205	60	25	33	60	85	110	170	M12	1208 2208	22208	AN08	AW08	ZF8	ZF11	80×7.5 80×10	2 1
SNZ SSNZ 209	45	40	55	85	205	60	25	31	60	85	112	170	M12	1209 2209	22209	AN09	AW09	ZF9	ZF12	85×6 85×8	2 1
SNZ SSNZ 210	50	45	60	90	205	60	25	33	60	90	115	170	M12	1210 2210	22210	AN10	AW10	ZF10	ZF13	90×6.5 90×10	2 1
SNZ SSNZ 211	55	50	65	100	255	70	28	33	70	95	130	210	M16	1211 2211	22211	AN11	AW11	ZF11	ZF15	100×6 100×8	2 1
SNZ SSNZ 212	60	55	70	110	255	70	30	38	70	105	135	210	M16	1212 2212	22212	AN12	AW12	ZF12	ZF16	110×8 110×10	2 1
SNZ SSNZ 213	65	60	75	120	275	80	30	43	80	110	150	230	M16	1213 2213	22213	AN13	AW13	ZF13	ZF17	120×10 120×12	2 1
SNZ SSNZ 214	70	60	80	125	275	80	30	44	80	115	155	230	M16	1214 2214	22214	AN14	AW14	ZF13	ZF18	125×10 125×13	2 1
SNZ SSNZ 215	75	65	85	130	280	80	30	41	80	115	155	230	M16	1215 2215	22215	AN15	AW15	ZF15	ZF19	130×8 130×10	2 1
SNZ SSNZ 216	80	70	90	140	315	90	32	43	95	120	175	260	M20	1216 2216	22216	AN16	AW16	ZF16	ZF20	140×8.5 140×10	2 1
SNZ SSNZ 217	85	75	95	150	320	90	32	46	95	125	185	260	M20	1217 2217	22217	AN17	AW17	ZF17	ZF21	150×9 150×10	2 1
SNZ SSNZ 218	90	80	100	160	345	100	35	62.4	100	145	195	290	M20	1218 2218	22218 23218	AN18	AW18	ZF18	ZF22	160×16.2 160×11.2 160×10	2 2 1
SNZ SSNZ 219	95	85	110	170	345	100	35	53	112	140	210	290	M20	1219 2219	22219	AN19	AW19	ZF19	ZF24	170×10.5 170×10	2 1
SNZ SSNZ 220	100	90	115	180	380	110	40	70.3	112	160	218	320	M24	2220	22220 23220	AN20	AW20	ZF20	ZF26	180×12.1 180×10	2 1
SNZ SSNZ 222	110	100	125	200	410	120	45	80	125	175	240	350	M24	2222	22222 23222	AN22	AW22	ZF22	ZF28	200×13.5 200×10	2 1
SNZ SSNZ 224	120	110	135	215	410	120	45	86	140	185	270	350	M24	-	22224 23224	AN24	AW24	ZF24	ZF30	215×14 215×10	2 1
SNZ SSNZ 226	130	115	145	230	445	130	50	90	150	190	290	380	M24	-	22226 23226	AN26	AW26	ZF26	ZF33	230×13 230×10	2 1
SNZ SSNZ 228	140	125	155	250	500	150	50	98	150	205	305	420	M30	-	22228 23228	AN28	AW28	ZF28	ZF35	250×15 250×10	2 1
SNZ SSNZ 230	150	135	165	270	530	160	60	106	160	220	325	450	M30	-	22230 23230	AN30	AW30	ZF30	ZF37	270×16.5 270×10	2 1
SNZ SSNZ 232	160	140	175	290	550	160	60	114	170	235	345	470	M30	-	22232 23232	AN32	AW32	ZF32	ZF39	290×17 290×10	2 1



BEARING HOUSING & ACCESSORIES

SN-SSNZ 300 Series



HOUSING NO.	NORMAL DIMENSIONS (mm)													LOCK NUT	LOCK WASHER	ZF SEAL		LOCATING RING			
	d	d1	d2	D H8	B	b	G	F H13	A h13	L	H	E	BOLT S			SELF-ALIGN BALL	SPHERICAL ROLLER	d1	d2	NUMBER	QTY
SNZ 305	25	20	30	60	185	52	22	34	50	80	90	150	M12	1305 2305	-	AN05	AW05	ZF5	ZF7	62×8.5 62×10	2 1
SNZ 306	30	25	35	72	185	52	22	37	50	82	95	150	M12	1306 2306	-	AN06	AW06	ZF6	ZF8	72×9 72×10	2 1
SNZ 307	35	30	45	80	205	60	25	41	60	90	110	170	M12	1307 2307	-	AN07	AW07	ZF7	ZF10	80×10 80×10	2 1
SNZ 308	40	35	50	90	205	60	25	43	60	95	115	170	M12	1308 2308	21308 22308	AN08	AW08	ZF8	ZF11	90×10 90×10	2 1
SNZ SSNZ 309	45	40	55	100	255	70	28	46	70	105	130	210	M16	1309 2309	21309 22309	AN09	AW09	ZF9	ZF12	100×10.5 100×10	2 1
SNZ SSNZ 310	50	45	60	110	255	70	30	50	70	115	135	210	M16	1310 2310	21310 22310	AN10	AW10	ZF10	ZF13	110×11.5 110×10	2 1
SNZ SSNZ 311	55	50	65	120	275	80	30	53	80	120	150	230	M16	1311 2311	21311 22311	AN11	AW11	ZF11	ZF15	120×12 120×10	2 1
SNZ SSNZ 312	60	55	70	130	280	80	30	56	80	125	155	230	M16	1312 2312	21312 22312	AN12	AW12	ZF12	ZF16	130×12.5 130×10	2 1
SNZ SSNZ 313	65	60	75	140	315	90	32	58	95	130	175	260	M20	1313 2313	21313 22313	AN13	AW13	ZF13	ZF17	140×12.5 140×10	2 1
SNZ SSNZ 314	70	60	80	150	320	90	32	61	95	130	185	262	M20	1314	21314 22314	AN13	AW13	ZF13	ZF18	150×13 150×10	2 1
SNZ SSNZ 315	75	65	85	160	345	100	35	65	100	140	195	290	M20	1315 2315	21315 22315	AN15	AW15	ZF15	ZF19	160×14 160×10	2 1
SNZ SSNZ 316	80	70	90	170	345	100	35	68	112	145	212	290	M20	1316 2316	21316 22316	AN16	AW16	ZF16	ZF20	170×14.5 170×10	2 1
SNZ SSNZ 317	85	75	95	180	380	110	40	70	112	155	218	320	M24	1317 2317	21317 22317	AN17	AW17	ZF17	ZF21	180×14.5 180×10	2 1
SNZ SSNZ 318	90	80	100	190	400	110	33	74	112	160	230	320	M24	1318 2318	21318 22318	AN18	AW18	ZF18	ZF22	190×15.5 190×10	2 1
SNZ SSNZ 319	95	85	110	200	420	120	36	77	125	170	245	350	M24	1319 2319	21319 22319	AN19	AW19	ZF19	ZF24	200×16 200×10	2 1
SNZ SSNZ 320	100	90	115	215	420	120	38	83	140	175	280	350	M24	1320 2320	21320 22320	AN20	AW20	ZF20	ZF26	215×18 215×10	2 1
SNZ SSNZ 322	110	100	125	240	460	130	40	90	150	190	300	390	M24	-	22322	AN22	AW22	ZF22	ZF28	240×20 240×10	2 1
SNZ SSNZ 324	120	110	135	260	540	160	50	96	160	205	325	450	M30	-	22324	AN24	AW24	ZF24	ZF30	260×10	1
SNZ SSNZ 326	130	115	150	280	560	160	50	103	170	215	350	470	M30	-	22326	AN26	AW26	ZF26	ZF34	280×10	1
SNZ SSNZ 328	140	125	160	300	630	170	55	112	180	235	375	520	M30	-	22328	AN28	AW28	ZF28	ZF36	300×10	1
SNZ SSNZ 330	150	135	170	320	680	180	55	118	190	245	395	560	M30	-	22330	AN30	AW30	ZF30	ZF38	320×10	1
SNZ SSNZ 332	160	140	180	340	710	190	60	124	200	255	415	580	M36	-	22332	AN32	AW32	ZF32	ZF40	340×10	1



WORKING TEMPERATURE DESIGNATION

LHT1: -40°C ~+150°C

LHT2: -40°C ~+200°C

LHT3: -40°C ~+250°C

LHT4: -40°C ~+280°C

GREASE FILLING RATE DESIGNATION

STANDARD GREASE FILLING RATE IS ABOUT 25% TO 35% OF THE FREE SPACE IN THE BEARING.

A: GREASE FILLING RATE LESS THAN STANDARD

B: GREASE FILLING RATE MORE THAN STANDARD

C: GREASE FILLING RATE MORE THAN B.

THE FILLING RATE DEPENDS ON THE LIMITING SPEED:

1/2 TO 2/3 OF THE FREE SPACE, SPEED SHOULD BE LESS THAN 50% OF LIMITING SPEED

1/3 TO 1/2 OF THE FREE SPACE, SPEED SHOULD BE MORE THAN 50% OF LIMITING SPEED

GREASE BRAND DESIGNATIONS

RBS: ROCOL BLUE SAPPHIRE GREASE

RHS: ROCOL HIGH SPEED GREASE

RHT: ROCOL HIGH TEMPERATURE GREASE

AV: SHELLALVANIA



ONE OF THE TOP BEARING
SUPPLIERS IN CHINA

美蓓亚轴承