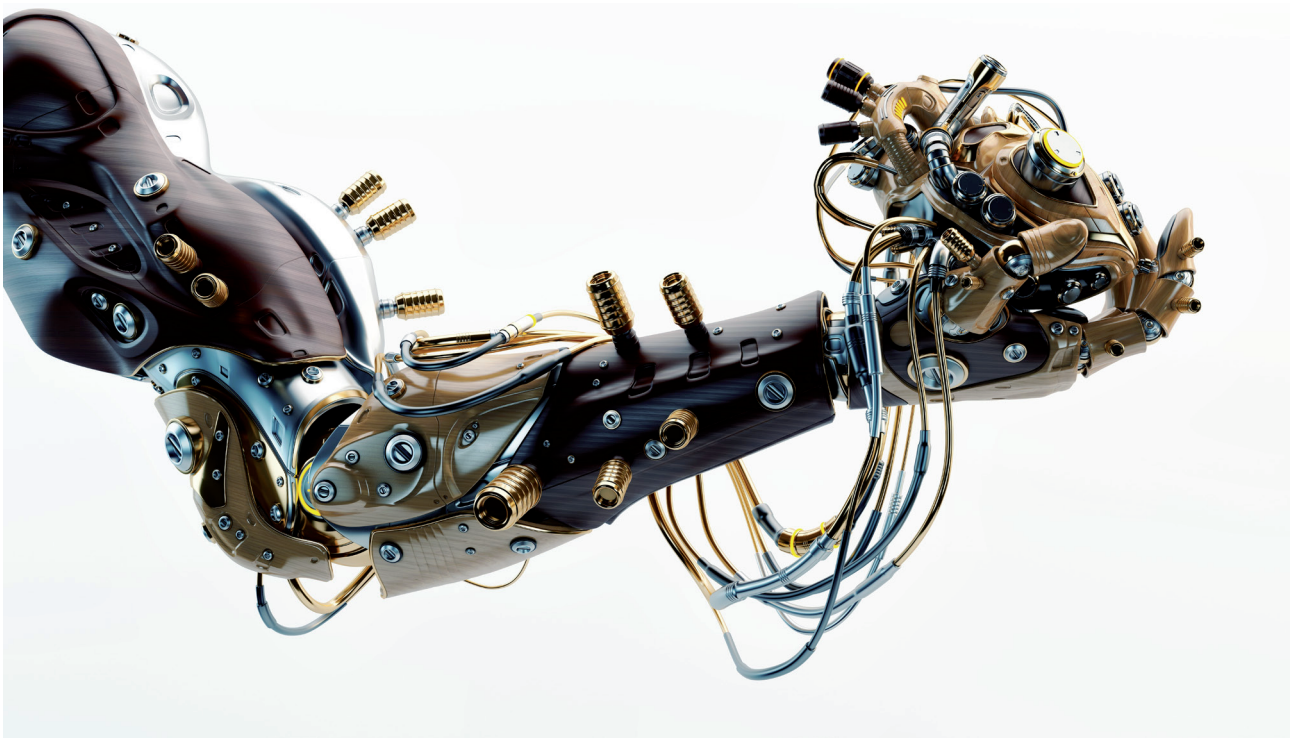


NISE

Drive Technology



Riduttori Planetari di precisione

CONTENTS 目录

1、产品系列简介.....	01
Product series introduction	
2、产品特性.....	02
Products features	
3、产品概述.....	03
Products overview	
4、减速机的选用及注意事项.....	04
Gear unit selection & announcements	
5、EPB Series.....	08
6、EPL Series.....	35
7、EPT Series.....	62
8、EPS Series.....	91
9、安装方法.....	120
Installation	
10、EPEB Series.....	121
11、EPEL Series.....	138
12、EPET Series.....	155
13、EPES Series.....	179
14、安装方法.....	207
Installation	

1、产品系列简介/Product series introduction

同芯轴 Coaxial shaft

EPB Series

可选尺寸 Optional size	42~220mm	
额定输出力矩 Rated output torque	6~1500Nm	
减速比 Ratio	1段 1 stage	3~10
	2段 2 stage	15~100
背隙 Backlash	1段 1 stage	≤3arcmin
	2段 2 stage	≤3arcmin

EPL Series

可选尺寸 Optional size	50~235mm	
额定输出力矩 Rated output torque	6~1500Nm	
减速比 Ratio	1段 1 stage	3~10
	2段 2 stage	15~100
背隙 Backlash	1段 1 stage	≤5arcmin
	2段 2 stage	≤5arcmin

EPT Series

可选尺寸 Optional size	47~285mm	
额定输出力矩 Rated output torque	6~3300Nm	
减速比 Ratio	1段 1 stage	4~10
	2段 2 stage	16~100
背隙 Backlash	1段 1 stage	≤3arcmin
	2段 2 stage	≤3arcmin

EPS Series

可选尺寸 Optional size	60~240mm	
额定输出力矩 Rated output torque	18~2400Nm	
减速比 Ratio	1段 1 stage	3~10
	2段 2 stage	15~100
背隙 Backlash	1段 1 stage	≤3arcmin
	2段 2 stage	≤3arcmin

直交轴 Right angle shaft

EPEB Series

可选尺寸 Optional size	60~140mm	
额定输出力矩 Rated output torque	12~300Nm	
减速比 Ratio	1段 1 stage	3~10
	2段 2 stage	15~100
背隙 Backlash	1段 1 stage	≤6arcmin
	2段 2 stage	≤9arcmin

EPEL Series

可选尺寸 Optional size	70~155mm	
额定输出力矩 Rated output torque	12~300Nm	
减速比 Ratio	1段 1 stage	3~10
	2段 2 stage	15~100
背隙 Backlash	1段 1 stage	≤8arcmin
	2段 2 stage	≤11arcmin

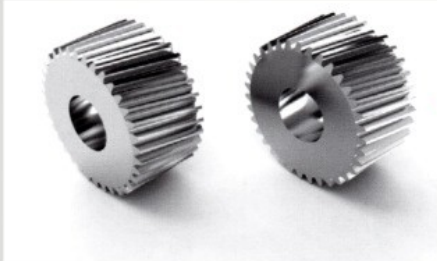
EPET Series

可选尺寸 Optional size	64~255mm	
额定输出力矩 Rated output torque	16~1920Nm	
减速比 Ratio	1段 1 stage	4~10
	2段 2 stage	16~100
背隙 Backlash (64~140mm)	1段 1 stage	≤4arcmin
	2段 2 stage	≤7arcmin
背隙 Backlash (200~255mm)	1段 1 stage	≤6arcmin
	2段 2 stage	≤9arcmin

EPES Series

可选尺寸 Optional size	60~240mm	
额定输出力矩 Rated output torque	12~1920Nm	
减速比 Ratio	1段 1 stage	3~10
	2段 2 stage	15~100
背隙 Backlash	1段 1 stage	≤6arcmin
	2段 2 stage	≤9arcmin

2、产品特性/Products features



齿轮材料采用优质合金钢，经碳-氮共渗处理，从而获得最佳的耐磨性和耐冲击韧性。

The gear wheel is made of excellent alloy steel, subjects to carbonitriding treatment and finally obtains the optimum abrasion resistance and impact strength.

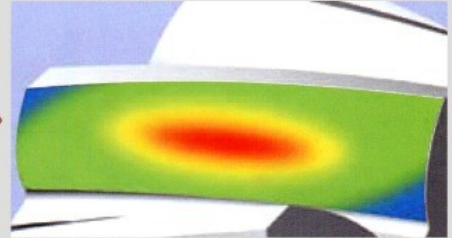


输出行星架采用一体式（双支撑）的结构设计，前后轴承大跨距分布于箱体内，形成稳定的一体式结构，以确保较高的扭转刚性和精度。

The output planetary carrier adopts an integrated (double-support) structure; the large spans of the front and rear bearings are distributed in the box body, form a stable integrated structure to ensure a high torsional rigidity and precision.

齿圈与输出壳体采用一体化设计，采用优质钢材，经热锻成形，从而获得较高的材料密度。二体化设计能保证所有几何尺寸一次性加工完成，与其它内嵌式、夹装式等结构相比具有更高的精度和强度。

The gear ring and the output housing are integrated in one piece, are made of high-quality steel, and are hot forged, thus obtain a higher material density. The integrated design ensures that all geometries can be processed in one shot, with higher precision and strength than other embedded clip-on structures.



利用ANSYS技术对齿轮强度进行有限元分析，同时对齿面作齿形及导程修整，以降低齿轮啮合的冲击和噪音，增加齿轮系的使用寿命。

ROMAX technology is used to make finite element analysis on the entire shafting, and the tooth surface is trimmed in the teeth shape and direction to reduce the impact and noise as produced by gear engagement and increase the service life of the gear train.

EPB系列为例



输入轴与抱紧圈分体设计，按要求的扭矩锁紧，抱紧力更均匀，使用寿命更长。

The input shaft and the locking ring are designed in a separate box, and the locking force is more uniform and the service life is longer.



3、产品概述/Products overview

产品特点/products features

精密行星齿轮减速机是我公司自主研发的新一代实用性产品，融合了国内外先进的技术，具有以下一些主要特点：

- 1.低噪音: 低于65db。
- 2.低背隙: 3弧分内。
- 3.高效率: 单级97%，双级94%。
- 4.高输入转速：额定转速3000，最高可到6000
- 5.高扭矩: 比一般标准行星减速机扭矩高。
- 6.高稳定性: 采用高强度合金钢材，齿轮经表面硬化处理，确保使用寿命及长期使用仍保持最初的精密度。

Precision planetary gear reducer is a new-generation of product developed by our company,with a compromise of advanced technology both at home and abroad,its main features are as follows:

- 1.Low Noise: Under 65db.
- 2.Low backlash: within 3 arcmin.
3. High Efficiency: 97% for 1 stage, 94% for 2 stages.
4. High input Speed: Rated Input Speed 3000 rpm. Max.Input Speed 6000 rpm.
- 5.High Output Torque: Higher torque output than that of conventional planetary gear reducers.
- 6.High Stability: Employs high tensile strength alloy steel.Gear hardening is made for the entire gear instead of only surface hardening,which extends gear service life and maintain high accuracy as new after a long period of operation.

产品用途/Precision usage

精密行星齿轮减速机被广泛应用于以下领域：

- 1.航空航天、军事产业。
- 2.医疗卫生、电子信息技术产业。
- 3.工业机器人、生产自动化、数控机床制造产业。
- 4.汽车制造、纺织、印刷、食品、冶金、环保工程、仓储物流等产业。

Precision Planetary Gear Reducer is widely used in the following fields:

1. Aerospace, military industries.
2. Medical health, electronic information industries.
3. Industrial robots, Production automation, CNC machine tool manufacturing industries.
4. Motor, textile, printing, food, metallurgical, environmental protection engineering, warehouse logistics industries.

4、减速机的选用及注意事项 / Gear unit selection & announcements

行星减速机的选型 / Planetary reducer selection

选配行星减速机应该遵循适用性和经济性相结合的原则，就是说行星减速机的各项技术指标，既能满足设备的要求又能节约成本。“过”与“不及”都会带来成本浪费。选型不当是减速机出现故障的主要原因，因此正确选用行星减速机非常重要。

选用减速机应考虑其结构类型、承载能力、减速比、输出转速、轴向力、径向力、扭转刚性、背隙等内在性能指标，也应充分考虑安装形式、工况条件、工作环境等外部因素。为方便起见，请参考以下步骤，实现准确快速选型。

The optional planetary reducer should follow the principle of combining applicability with economy. That is to say, the technical indicators of the planetary reducer should be able to both meet the requirements of the equipment and save costs. Both “excess” and “lack” will bring cost waste. Improper selection of the model is the main cause of gearbox failure, so it is important to correctly select the planetary reducer for use.

When selecting reducer, it is necessary to consider the inherent performance indicators of the reducer's structural type, carrying capacity, reduction ratio, output speed, axial force, radial force, torsional rigidity, backlash, etc., as well as the external factors such as the mounting form, working conditions and working environment. For the sake of convenience, please refer to the following steps for accurate and quick selection.

Step 1 : 减速机规格的确定 Determination of the specification of reducer

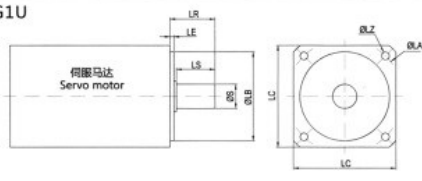
步骤 Step	说明/Explain	代号/Code	参数计算/Parameter calculation						
			负载类型 Loading classification	每小时启动次数Z Running per hour	使用系数fs Using fs 每日运行时间(h) Running per day(h)				
均匀负载 Uniform		h<4			4<h<8	8<h<12	12<h<16	16<h<24	
1	设备使用系数 Service factor	f ₁	中等冲击负载 Medium shock	Z<10	1.00	1.20	1.30	1.60	2.00
				10<Z<30	1.10	1.35	1.45	1.80	2.20
				30<Z<100	1.20	1.45	1.60	2.00	2.40
			重冲击负载 Heavy shock	Z<10	1.20	1.45	1.60	2.00	2.40
				10<Z<30	1.30	1.55	1.75	2.20	2.50
				30<Z<100	1.40	1.65	1.90	2.40	2.80
2	扭矩的确定 Determination of torque	T _{2N}	T _{2N} >T _{C2} 所选减速机的额定扭矩T _{2N} 必须大于计算扭矩T _{C2} 。T _{C2} =Tr ₂ ×fs (T _{C2} -计算扭矩Tr ₂ -实际所需扭矩fs-使用系数) T _{2N} > T _{C2} means that the rated torque T _{2N} of the selected reducer must be greater than the calculated torque T _{C2} . T _{C2} =Tr ₂ ×fs (T _{C2} - calculated torque Tr ₂ - actually required torque fs service factor)						
3	额定输入转速 Rated input speed	n ₁	允许最大输出转速请参照减速机性能资料 For the maximum output speed, please refer to the performance data of the reducer.						
4	确定减速比 Determination of reduction ratio	i	i=n ₁ /n ₂						
5	减速机效率 Efficiency of reducer	η	L1≥97%、L2≥94%						
6	以被驱动设备所需的扭矩或功率，计算减速机的输入功率 Calculate the input power of the reducer based on the torque or power required by the driven equipment	P ₁	P ₁ =(T ₂ ×n ₁)/(9550×i×n) 或 P ₁ =P ₂ ÷η						
7	根据计算传动力表确定减速机的规格 Determine the specifications of the reducer according to the table of calculated transmission force	T _{2N} 、P _{1N}	T _{2N} ≥T ₃ ×f ₁ ×f ₂ P _{1N} ≥P ₁ ×f ₁ ×f ₂						
8	输出轴径向力、轴向力校核 Check the radial force and axial force of the output shaft	Fr、Fa	查《产品手册》性能资料表。对对应小于减速机最大径向力、轴向力。频繁启动-停止运转工况应选择加强型 Check the performance data sheets in the Product Manual. The comparison should be less than the maximum radial force and axial force of the reducer. In frequent start-stop operation conditions, enhanced type of reducer should be selected.						
9	确认使用环境 Confirm the service environment		防护等级、工作温度、化学环境等 Protection level, working temperature, and chemical environment and so on						
10	根据空间确认安装方式 Confirm the mounting method based on the space		同轴安装 Coaxial mounting						
11	确认减速机型号 Confirm the reducer model		根据性能资料表、输入、输出方式等确定具体系列、型号、规格及附件 Determine the specific series, model, specifications and accessories according to the performance data sheet, input and output methods, etc.						

说明：n₂、P₂为被驱动设备的转速和功率；P₁=P₂为被驱动设备所需的功率和扭矩；P_{1N}、T_{2N}为实际减速机所需功率和扭矩。

Note: n₂ and P₂ are respectively the speed and power of the driven equipment; P₁=P₂ is the power and torque required by the driven equipment; P_{1N} and T_{2N} are the power and torque required by the actual reducer.

Step 2: 确定电机。电机生产厂商、规格型号、性能指标及外形尺寸确定 Determine the motor's manufacturer, specification model, performance indicators and external dimensions.

马达型号 Motor Model:	MHMD-082G1U
输出功率 Output	0.75 kw
额定力矩 Rated Torque	2.4 NM
最大力矩 Max.Torque	7.1 NM
额定转速 Rated Speed	3000 RPM
最大转速 Max.Speed	4500 RPM
转动惯量 Inertia	6.6Kg/cm ²
轴径 Shaft Dia	Ø19 mm
外径 Diameter	Ø80 mm
凸缘 Flange	Ø70 mm
中心距 Center distance	Ø90



Notice for ordering 订货须知

Motor's type & measurement 配用电机品牌及端面尺寸 Planetary gearbox's type: 行星减速机系列及规格型号: Torque: 扭矩: Ratio: 减速比: Mounting position&others requir: 外形及安装方式方面特殊要求:	Backlash: 实际等级:
---	--------------------

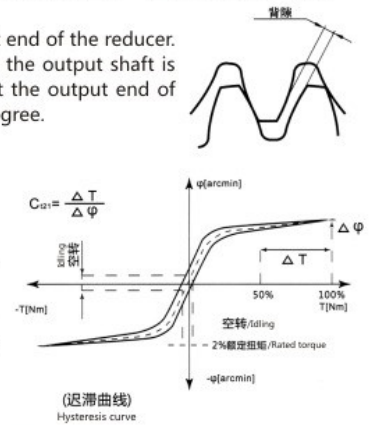
减速机的选用及注意事项 / Gear unit selection & announcements

与选型有关的基本概念 / Base concepts of precision planetary gear boxes

减速比 Ratio	输出转速与输入转速的比值 Input speed/Output speed
额定输入转速 Rated input speed	减速机的驱动速度,若减速机与电机直接相连,则转速值与电机转速相同。本书中的额定输入转速是在环境温度为20°C的条件下测得的。环境温度较高时请降低转速 n_1 。 It refers to the actuating speed of the reducer.If the reducer is directly connected to motor, the speed value is the same as the motor speed. The rated input speed in this book was measured at an ambient temperature of 20°C. Please reduce the speed n_1 , if the ambient temperature is high.
输出转速 Output speed	按照下列公式通过输入转速 m 和传动比计算出来。 It is calculated as per the following formula based on the input speed m and transmission ratio.
额定输出扭矩 Rated output torque Tzn[Nm]	Tzn[Nm]减速机长时间(连续工作制)可以加载的力矩(无磨损),条件应满足负载均匀,安全系数 $S=1$,理论寿命为20000小时, TM值遵守ISODP6336齿轮标准与ISO281轴承标准。 Tzn[Nm] refers to the torque that can be added on reducer for a long time continuously without wear) under uniform load and with safety factor $S=1$, the theoretical life is 20000 hours. The TM value complies with the ISODP6336 gear standard and the ISO281 bearing standard.
加速扭矩 Accelerating torque [Nm]	指工作周期每小时少于1000次时允许短时间加载到输出端的最大力矩。工作周期每小时大于1000次时,须考虑冲击因素。加速扭矩是周期工作制选型时的一个最大值,实际使用中的加速力矩必须小于 T_{28} ,否则会缩短减速机的寿命。 It refers to the maximum torque allowed to be loaded into the output end for a short period of time when the operating cycle is less than 1000 cycles per hour. The impact factor must be considered,if the operating cycle is more than 1000 cycles per hour. Accelerating torque is a maximum value in the periodic working system selection. The acceleration torque in actual use must be less than T_{28} ; otherwise, the service life of the reducer will be shortened.
紧急制动扭矩 Emergency braking torque [Nm]	指减速机输出端所能加载的最大力矩,这个力矩可在减速机寿命期内加载1000次,绝对不能超过1000次(备注:EP142F以下机型为 $T_{2HOT}=2.T_{28}$, EP180F以上机型为 $T_{2HOT}=1.5*T_{2a}$) It refers to the maximum torque that can be loaded at the output end of the reducer. This moment can be loaded for 1000 times at most during the service life of the reducer. (Remarks: for the model inferior to EP142F, T_{2HOT} is equal to $2.T_{28}$; and for the model superior to EP180F, T_{2HOT} is equal to $1.5*T_{2a}$)
空载扭矩 No-load torque Taz[Nm]	指加载到减速机上的以克服减速机内摩擦力的力矩。 It refers to the torque applied to the reducer to overcome the friction inside the reducer.
最大输出扭矩 Maximum output torque	指减速机在静态条件或频繁启动条件下所能承受的输出扭矩,通常指峰值负载或启动负载。 It refers to the output torque that the reducer can withstand under static conditions or frequent starting conditions, and usually refers to the peak load or starting load.
实际所需扭矩 Actually required torque	所需扭矩取决于应用场合的实际工况,拟选减速机的额定扭矩 T_z 必须大于这个扭矩。 The required torque depends on the actual operating conditions of the application occasion. The rated torque T_z of the proposed gearbox must be greater than this torque.
计算用扭矩 Torque for calculation	会在选择减速机时被用到,可以由实际所需转矩 T 和系数 f 。按以下公式得出 $T_a=T_z*fs_{STN}$ It may be used when selecting reducer, and can be calculated as per the formula $T_a=T_z*fs_{STN}$ based on the actually required torque T and coefficient f .
侧倾扭矩 Yawing torque [Nm]	指轴向力和径向力作用于输出端轴承上径向受力点的力矩。其计算公式为: $M_{ama}=[F_{ayz}+Fr(x+2Z)]/10000$ It refers to the torque that the axial and radial forces act at the radial force bearing point on the output bearing. Its calculation formula is: $M_{ama}=[F_{ayz}+Fr(x+2Z)]/10000$
轴向力 Axial force Fa[NJ]	是指平行于轴心的一个力:它的作用点与输出轴端有一定的轴向偏差(Y_2)时,会形成个额外的弯绕力矩,轴向力超过样本所示的额定值时,须用联轴节来抵消这种弯绕力。 It refers to a force parallel to the axis: when its point of action has a certain axial deviation (Y_2) from the output shaft end, an additional bending torque may be formed. When the axial force exceeds the rated value shown on the sample, couplings must be used to counteract this bending force.
径向力 Radial force Fr[N]	指垂直作用于轴向力的一个力,它平行于输出轴,它的作用点与轴端有一定的轴向距离(x)。这个点成一个杠杆点,横向力形成一个弯绕力矩。 It refers to a force acting perpendicularly to the axial force; it is parallel to the output shaft, and its point of action has a certain axial distance (x) from the shaft end. This point becomes a lever point, and the lateral force forms a bending torque.
轴伸径向载荷、 轴向载荷 Radial load and axial load of the shaft extension	选择减速机的附加依据是输出轴伸出端上的径向载荷和轴向载荷。轴的强度和轴承的承载能力决定了许用轴伸的径向载荷。产品样本中给出的最大允许值是指在不利的方向作用在轴伸出端中点(即 $1/2L$ 处)的力。当作用力不在中点时,越接近轴肩,允许的径向载荷就越大;相反,作用点离轴肩越远,允许的径向载荷就越小。 The additional basis for selecting a reducer is the radial and axial loads on the extended end of the output shaft. The strength of the shaft and the bearing capacity of the bearing determine the radial load of the allowable shaft extension. The maximum allowable value given in the product sample refers to the force acting on the midpoint of the extended end of the shaft extension (i.e.at the $1/2 L$ place) in an unfavorable direction. If the action force is not at the midpoint, the closer to the shaft shoulder it is, the greater the allowable radial load is; conversely, the further the point of action is from the shoulder, the smaller the allowable radial load is.
安全系数 Safety factor	安全系数等于减速机的额定输入功率与电机功率的比值。 Safety factor is equal to the ratio of the reducer's rated input power to the motor power.

与选型有关的基本概念 / Base concepts of precision planetary gear boxes

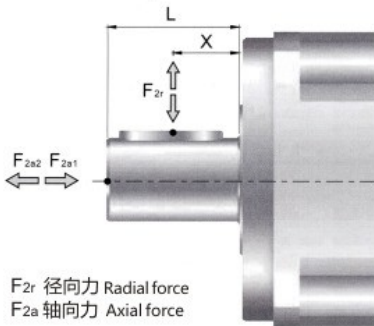
使用系数 Service factor	使用系数表现减速机的应用特征,它考虑到减速机的负载类型和每日工作时间。 It represents the application characteristics of reducer,and it's related to the load type and daily working time of the reducer
扭转刚度 Torsional rigidity	由加载力矩和所产生的扭转角之间的比率来定义。 $C_{\Delta\varphi} = AT$,它说明需要用多大的力矩才能把输出轴转动一弧分扭转刚度是从迟滞曲线得出的。在曲线图上只需要关注50%到100%这个范围。在这个范围内,曲线可看成是一条直线。 It is defined by the ratio between the loading torque and the resulting torsional angle. $C_{\Delta\varphi} = AT$,it shows how much torque is needed to turn the output shaft by one arcmin. The torsional rigidity is obtained from the hysteresis curve. You only need to pay attention to the range from 50% to 100% on the curve graph. Within this range, the curve can be regarded as a straight line.
安装力矩 Mounting torque	减速机的组装以及电机与减速机连接安装(输入轴采用弹性联轴器要求)都是有力矩要求。建议使用力矩扳手来完成安装步骤。 The assembling of reducer and the connecting between motor and reducer (the output shaft adopts flexible coupling) both have requirements for torque. Hence, it is suggested to use torque spanner to complete the mounting steps.
段/级数 Poles	行星齿轮的套数。由于一套行星齿轮无法满足较大的传动比,有时需要两套或三套来满足用户对较大传动比的求,也就是说,减速比越大段/级数越多。由于增加了行星齿轮的数量,所以二级或三级减速机的长度会有所增加,效率会有所下降。 The number of set of planetary gear. Oweing to one set planetary gear can't satisfy bigger transmission ratio,two or three sets can meet Users' requirements of bigger transimission ratio. Since increasing the gear quantity,the length of two or three poles motor w...increase accordingly,of course,the efficiency will reduce accordingly.
传动效率 Efficiency	指在额定负载情况下,减速机的传输效率。减速比越大,级数越多,效率越低。 It refers to the gearing efficiency of the gearboxes in the case of the largest load
平均寿命 Average lifetime	指减速机在额定负载下,额定输入转速是减速机的连续工作时间。 Refers to the continuous working time of the gearboxes of the highestinputrev
定位精度 Precise positioning	在高速机械往复运动中做到精确定位的关键在于尽量减小通过运动产生的角偏差。定位精度取决于两个值,一个是与加载有关的偏转角,涉及到回程间隙和扭转刚度;另一个是与运动控制有关的偏转角,涉及到同步偏差问题。 In high-speed reciprocating mechanical movement achieve precise positioning is the key to minimizing the movement through the angular deviation,positioning accuracy depends on the two values,with a load of the deflection angle,involving a return to space with torsion stiffness,and the other is control of the movement and rotation angle,involving partial synchronization the problem worse.
回程间隙 Backlash	指减速机输出轴与输入端的最大偏差角,测量时先将齿轮输入端固定住,然后在输出轴加载额定扭矩的2% 扭矩,减速机输出端有一个微小的角位移,此角位移即为回程间隙。单位是"弧分",即一度的六十分之一度。 Refers to the maximum deviation angle between the output shaft and the input end of the reducer. When measuring, the input end of the gear is fixed first, and then the load of the output shaft is loaded.With a constant torque of 2%, there is a small angular displacement at the output end of the reducer, which is called return clearance. The unit is "Arcmin".That is 1/60 degree.
迟滞曲线 Hysteresis curve	迟滞曲线是为了得出减速机的扭转刚度,通过检测得到迟滞曲线。检测时,现将减速机输入端固定住,然后在输出端的两个旋转方向分别持续地加载到 T_{2NOT} 最大输出力矩,继而逐步卸载,用仪器记录下力矩的仿差角,得到的曲线是一条闭合曲线,从中可以计算出减速机回程间隙和扭转刚度。 Hysteresis curve is obtained by testing in order to get the torsional rigidity of reducer. In the testing, it is needed to firstly fix up the input end of the reducer, then get the output end continuously loaded to the maximum output torque T_{2NOT} in two rotary directions, further gradually unload it, and record the off-set angle of the torque; the obtained curve is a closed curve; according to the curve, the backlash and torsional rigidity of the reducer can be calculated.
惯性力矩 Inertia torque	表示一个物体尽力保持自己转动状态(或静止或转动)特性的一个值。样本中的值均指输入端。 It represents a characteristic value at which an object tries to maintain itself in rotary (or static) state. The values in the samples all means those at input end.
惯量比 The proportion of inertia	是指负载惯量与传动系统惯量(电机加上减速机)之间的比值。这个比值决定了系统的可控性。 λ 值越大,也就是各转动惯量差值越大,高动态的动作过程就越难精确控制,建议尽可能将 λ 值控制在 <5 。齿轮箱可以将负载惯量降低 $1/i^2$ 。 Refer to the ration of load inertia and inertia drive system(motor with gearbox).This ratio determines the controllability of the λ value, the greater is the moment of inertia greater margin,high-dynamic action on the more difficult process of precision control.I.The values can be control in 5,gearboxes can be used to reduce load $1/i^2$.
噪音 Noise	单位是分贝 (dB)。此数值是在输入转速为3000转/分时,不带负载,距离减速机一米距离时测量的。 The unit is decibel(dB). The value is measured when the input rev is 3000r/m without load and at the distance of one meter from the gearboxes.



工作温度°C/Operating temp	-10°C ~ +90°C
防护等级/Degree of protection	IP54/IP65
润滑/Lubrication	长效润滑, 整个试用期内无需添加润滑剂/Life time lubrication
安装方式/Mounting position	任意/Any

减速机输出轴之容许径向力及轴向力

Reducer output shaft of the permissible radial force and shaft and force

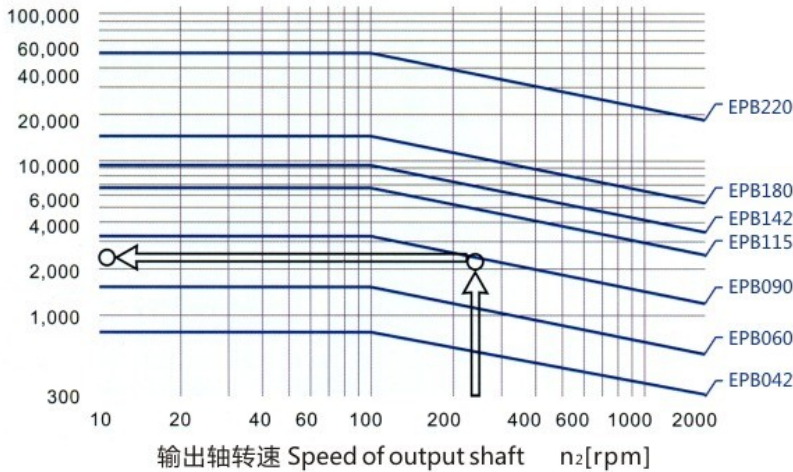


减速机输出轴所能承受之最大径向力及轴向力。端视内部支撑轴承之设计,减速机采用大尺寸的轴承及较大跨距的设计,其能承受更大的径向及轴向负荷。

Mounting torque refers to the maximum radial and axial forces that the output shaft of the reducer can withstand. Depending on the design of the internal support bearing, the reducer is designed with large bearings and large span to withstand greater radial and axial loads.

容许径向力 F_{2rB} [N] 施于轴中心位置

Allowable Radial Force F_{2rB} [N] Applied to the Center of shaft



当径向力 F_{2r} 施于轴中心位置即 $X=1/2 \times L$ 时,不同规格之减速机在不同输出转速运用下使用寿命为 20,000hr* 时,所能承受之容许径向力 F_{2rB} ,请参照左图,而能承受之容许轴向力 F_{2aB} ,为

$$F_{2a1B} = 0.2 \times F_{2rB}$$

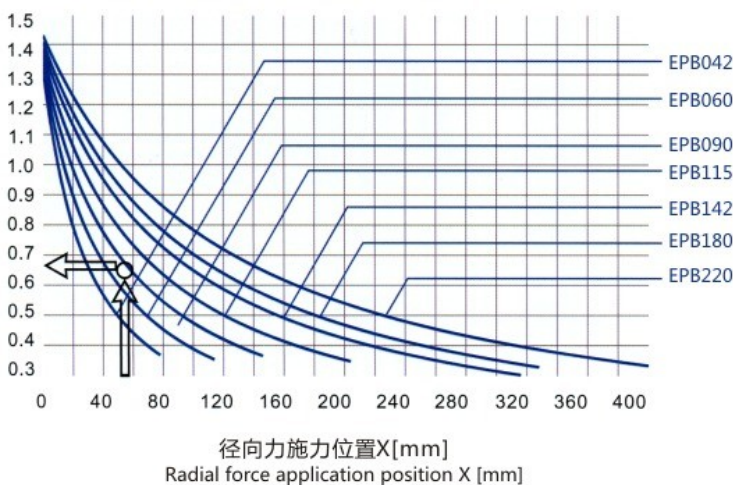
$$F_{2a2B} = 0.1 \times F_{2rB}$$

When the radial force F is applied to the center position of the shaft, that is, $X=1/2 \times L$, and the service life of different specification of reducer under different output speed is 20,000hr*, the allowable radial force F_a that can be withstood is as shown in the left figure, while the allowable axial force F_{za} that can be withstood is:

$$F_{2a1B} = 0.2 \times F_{2rB}$$

$$F_{2a2B} = 0.1 \times F_{2rB}$$

位置负荷系数 k_b Position load factor k_b



当径向力 F 施力不在轴中心位置时,越靠近减速机即 $X < 1/2 \times L$ 。所能承受之容许径向力变大,越远离减速机,即 $X > 1/2 \times L$ 时,所能承受之容许径向力则变小,藉由左图,依减速机规格及径向力施力位置 X ,查出位置负荷系数 k_b ,在代入下列公式,求出容许

$$\text{径向力: } F'_{2rB} = k_b \times F_{2rB}$$

$$\text{轴向力: } F'_{2a1B} = 0.2 \times F'_{2rB}$$

$$F'_{2a2B} = 0.2 \times F'_{2rB}$$

If the radial force F is not at the center of the shaft, the closer to the reducer it is, namely $X < 1/2 \times L$, the larger the allowable radial force becomes; and the further away from the reducer it is, namely $X > 1/2 \times L$, the smaller the allowable radial force is. The allowable radial force can be calculated as per the following formula and based on the position load factor K which can be found on the basis of the reducer's specification and radial force application position X as shown in the left figure.:

$$\text{Radial force: } F'_{2rB} = k_b \times F_{2rB}$$

$$\text{Axial force: } F'_{2a1B} = 0.2 \times F'_{2rB}$$

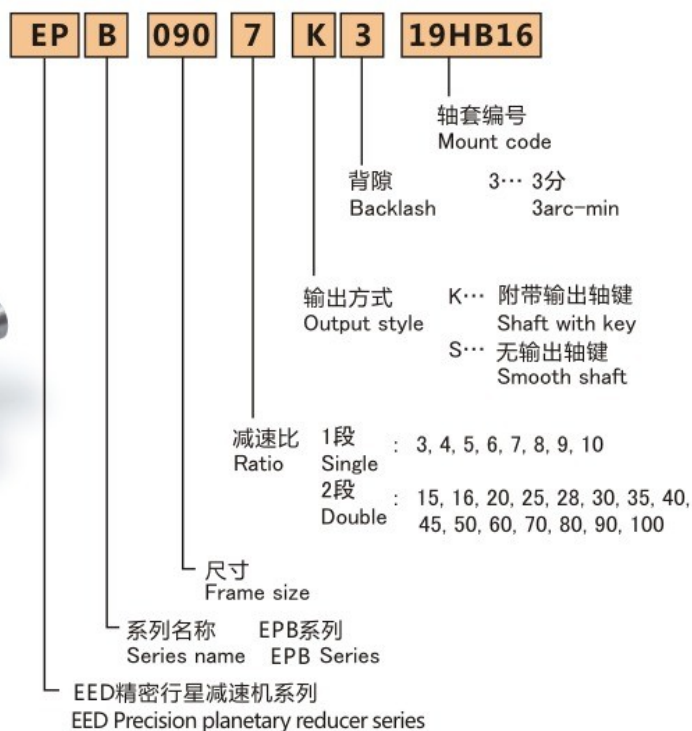
$$F'_{2a2B} = 0.2 \times F'_{2rB}$$

* 连续运转降低使用寿命二分之一
Continuous operation may reduce half of the service life.

5、EPB Series



型号说明 Model Mark



静音

使用斜齿轮实现顺畅安静地运转。

Quiet operation

Helical gears contribute to reduce vibration and noise.

高精度

齿隙低于3分、定位精确。

High precision

Standard backlash is 3 arc-min, ideal for precision control.

高刚性、高扭矩

使用整体式滚珠轴承，大大提高了刚性和扭矩。

High rigidity & torque

High rigidity & higt torque were achived by uncaged needle roller bearings.

法兰、轴套方式

可以安装到世界上任何一台马达上。

Adapter-bushing connection

Can be attached to any motor all over the world.

无润滑脂泄漏

使用高粘度、不易分离的润滑脂，有效防止润滑脂泄漏。

No grease leakage

Perfect solution using high viscosity anti-separation grease.

维护方便

在产品寿命期内无需更换润滑脂，安装更便捷。

Maintenance-free

No need to replace the grease for the life of the unit.
Can be attached in any position.

尺寸 Frame size	段位 Stage	减速比 Ratio	※1	※2	※3	※4	※5	※6	※7	
			容许 额定扭矩 Nominal output torque	容许 最大扭矩 Maximum output torque	紧急时 最大扭矩 Emergency stop torque	容许额定 输入转速 Nominal input speed	容许最高 输入转速 Maximum input speed	容许 径向负荷 Permitted radial load	容许 轴向负荷 Permitted axial load	
			[Nm]	[Nm]	[Nm]	[rpm]	[rpm]	[N]	[N]	
042	1段 Single	3	6	12	30	4000	8000	240	270	
		4	9	18	35	4000	8000	270	300	
		5	9	18	35	4000	8000	290	330	
		6	9	18	35	4000	8000	310	360	
		7	9	18	35	4000	8000	320	380	
		8	9	18	35	4000	8000	340	410	
		9	6	12	30	4000	8000	350	430	
		10	6	12	30	4000	8000	360	450	
		2段 Double	15	6	12	30	4000	8000	410	540
			16	9	18	35	4000	8000	420	550
	20		9	18	35	4000	8000	460	610	
	25		9	18	35	4000	8000	490	640	
	28		9	18	35	4000	8000	510	640	
	30		6	12	30	4000	8000	520	640	
	35		9	18	35	4000	8000	550	640	
	40		9	18	35	4000	8000	570	640	
	45		6	12	30	4000	8000	600	640	
	50		9	18	35	4000	8000	620	640	
	60	9	18	35	4000	8000	660	640		
	70	9	18	35	4000	8000	690	640		
80	9	18	35	4000	8000	710	640			
90	6	12	30	4000	8000	710	640			
100	6	12	30	4000	8000	710	640			

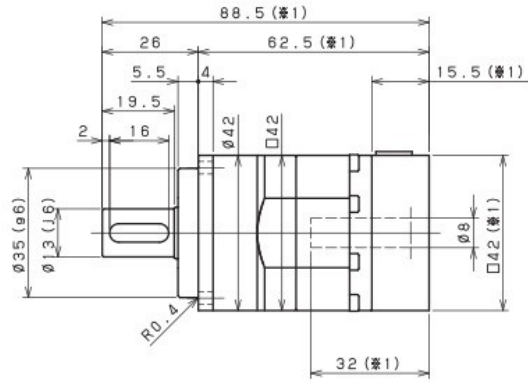
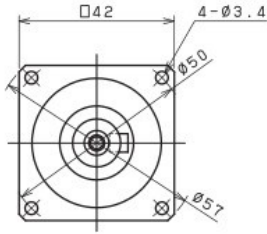
尺寸 Frame size	段位 Stage	减速比 Ratio	※8	※9	※10			
			容许最大 径向负荷 Maximum radial load	容许最大 轴向负荷 Maximum axial load	重量 Weight	惯性力矩 Moment of inertia ($\leq \phi 8$)	惯性力矩 Moment of inertia ($\leq \phi 14$)	
			[N]	[N]	[kg]	[kgcm ²]	[kgcm ²]	
042	1段 Single	3	710	640	0.6	0.053	0.170	
		4	710	640		0.041	0.160	
		5	710	640		0.036	0.150	
		6	710	640		0.034	0.150	
		7	710	640		0.032	0.150	
		8	710	640		0.031	0.150	
		9	710	640		0.031	0.150	
		10	710	640		0.030	0.150	
		2段 Double	15	710		640	0.035	-
			16	710		640	0.038	-
	20		710	640	0.034	-		
	25		710	640	0.034	-		
	28		710	640	0.038	-		
	30		710	640	0.030	-		
	35		710	640	0.034	-		
	40		710	640	0.030	-		
	45		710	640	0.034	-		
	50		710	640	0.030	-		
	60	710	640	0.030	-			
	70	710	640	0.030	-			
80	710	640	0.030	-				
90	710	640	0.030	-				
100	710	640	0.030	-				

- ※ 1 输入转速为额定转速时，使用寿命为20000小时的值
- ※ 2 启动、停止时容许的最大值
- ※ 3 发生撞击时容许的最大值（频率最高为1000次）
- ※ 4 运转过程中，额定输入转速的容许最大值
- ※ 5 在非连续运转条件下容许的最高输入转速
- ※ 6 输入转速为额定转速时，使用寿命为20000小时的值（作用于轴中央，轴向负荷为0时）
- ※ 7 输入转速为额定转速时，使用寿命为20000小时的值（作用于轴芯，径向负荷为0时）
- ※ 8 径向负荷的容许最大值
- ※ 9 轴向负荷的容许最大值
- ※ 10 因减速比和输入轴尺寸的不同而有所不同。

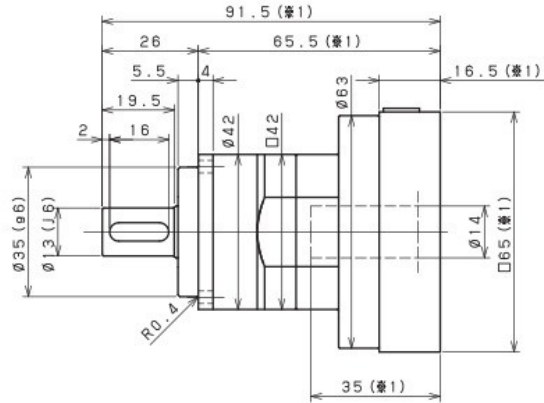
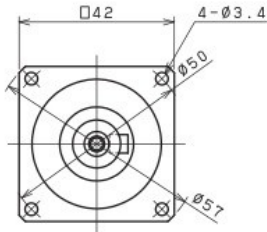
- ※ 1 With nominal input speed, service life is 20,000 hours.
- ※ 2 The maximum torque when starting and stopping.
- ※ 3 The maximum torque when it receives shock (up to 1,000 times)
- ※ 4 The maximum average input speed.
- ※ 5 The maximum momentary input speed.
- ※ 6 With this load and nominal input speed, service life will be 20,000 hours (Applied to the output shaft center, at axial load 0)
- ※ 7 With this load and nominal input speed, service life will be 20,000 hours (Applied to the output side bearing, at radial load 0)
- ※ 8 The maximum radial load the reducer can accept.
- ※ 9 The maximum axial load the reducer can accept.
- ※ 10 The weight may vary slightly model to model.

EPB-042 1段 1stage

输入轴内径 Input shaft bore $\leq \phi 8$

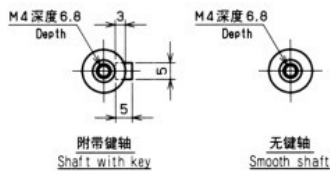
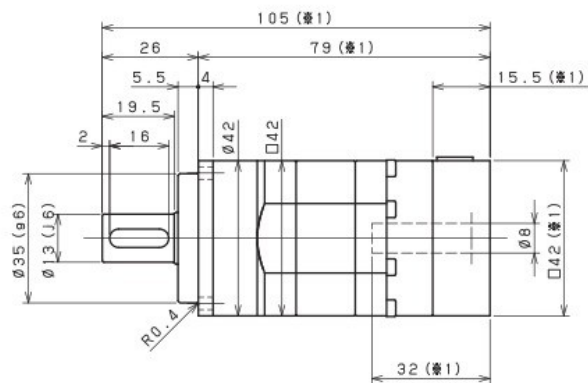
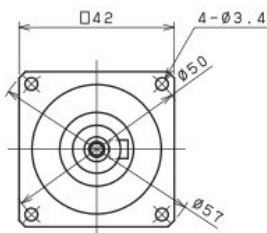


输入轴内径 Input shaft bore $\leq \phi 14$



EPB-042 2段 2stage

输入轴内径 Input shaft bore $\leq \phi 8$



- ※ 1 随安装马达的不同而有所差异。
- ※ 2 马达轴径与输入轴径不同时，可插入轴套。
- ※ 1 Length will vary depending on motor.
- ※ 2 Bushing will be inserted to adapt to motor shaft.

尺寸 Frame size	段位 Stage	减速比 Ratio	※1	※2	※3	※4	※5	※6	※7	
			容许 额定扭矩 Nominal output torque	容许 最大扭矩 Maximum output torque	紧急时 最大扭矩 Emergency stop torque	容许额定 输入转速 Nominal input speed	容许最高 输入转速 Maximum input speed	容许 径向负荷 Permitted radial load	容许 轴向负荷 Permitted axial load	
			[Nm]	[Nm]	[Nm]	[rpm]	[rpm]	[N]	[N]	
060	1段 Single	3	18	35	80	3000	6000	430	310	
		4	27	50	100	3000	6000	470	360	
		5	27	50	100	3000	6000	510	390	
		6	27	50	100	3000	6000	540	430	
		7	27	50	100	3000	6000	570	460	
		8	27	50	100	3000	6000	600	480	
		9	18	35	80	3000	6000	620	510	
		10	18	35	80	3000	6000	640	530	
		2段 Double	15	18	35	80	3000	6000	740	630
			16	27	50	100	3000	6000	750	650
	20		27	50	100	3000	6000	810	720	
	25		27	50	100	3000	6000	870	790	
	28		27	50	100	3000	6000	910	830	
	30		18	35	80	3000	6000	930	860	
	35		27	50	100	3000	6000	980	920	
	40		27	50	100	3000	6000	1000	970	
	45		18	35	80	3000	6000	1100	1000	
	50		27	50	100	3000	6000	1100	1100	
	60	27	50	100	3000	6000	1200	1100		
	70	27	50	100	3000	6000	1200	1100		
80	27	50	100	3000	6000	1200	1100			
90	18	35	80	3000	6000	1200	1100			
100	18	35	80	3000	6000	1200	1100			

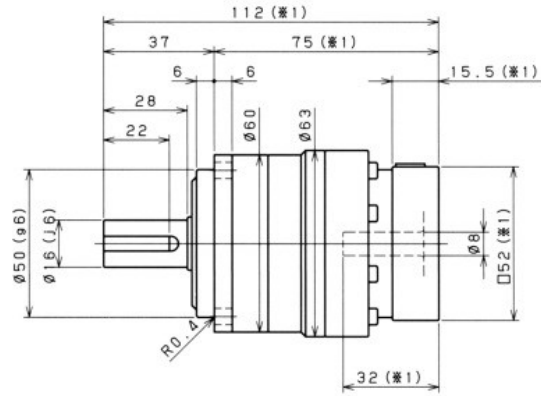
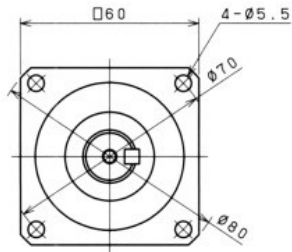
尺寸 Frame size	段位 Stage	减速比 Ratio	※8					※9		※10	
			容许最大 径向负荷 Maximum radial load	容许最大 轴向负荷 Maximum axial load	重量 Weight	惯性力矩 Moment of inertia (≤φ8)	惯性力矩 Moment of inertia (≤φ14)	惯性力矩 Moment of inertia (≤φ19)			
			[N]	[N]		[kg]	[kgcm ²]	[kgcm ²]	[kgcm ²]		
060	1段 Single	3	1200	1100	1.4	0.14	0.22	0.43			
		4	1200	1100		0.095	0.17	0.38			
		5	1200	1100		0.077	0.16	0.36			
		6	1200	1100		0.068	0.15	0.36			
		7	1200	1100		0.062	0.14	0.35			
		8	1200	1100		0.059	0.14	0.35			
		9	1200	1100		0.057	0.14	0.34			
		10	1200	1100		0.056	0.14	0.34			
		2段 Double	15	1200		1100	1.6	0.055	0.14	-	
			16	1200		1100		0.057	0.14	-	
	20		1200	1100	0.054	0.13		-			
	25		1200	1100	0.053	0.13		-			
	28		1200	1100	0.055	0.14		-			
	30		1200	1100	0.049	0.13		-			
	35		1200	1100	0.053	0.13		-			
	40		1200	1100	0.049	0.13		-			
	45		1200	1100	0.053	0.13		-			
	50		1200	1100	0.049	0.13		-			
	60	1200	1100	0.049	0.13	-					
	70	1200	1100	0.049	0.13	-					
80	1200	1100	0.049	0.13	-						
90	1200	1100	0.049	0.13	-						
100	1200	1100	0.049	0.13	-						

- ※ 1 输入转速为额定转速时，使用寿命为20000小时的值
- ※ 2 启动、停止时容许的最大值
- ※ 3 发生撞击时容许的最大值（频率最高为1000次）
- ※ 4 运转过程中，额定输入转速的容许最大值
- ※ 5 在非连续运转条件下容许的最高输入转速
- ※ 6 输入转速为额定转速时，使用寿命为20000小时的值（作用于轴中央，轴向负荷为0时）
- ※ 7 输入转速为额定转速时，使用寿命为20000小时的值（作用于轴芯，径向负荷为0时）
- ※ 8 径向负荷的容许最大值
- ※ 9 轴向负荷的容许最大值
- ※ 10 因减速比和输入轴尺寸的不同而有所不同。

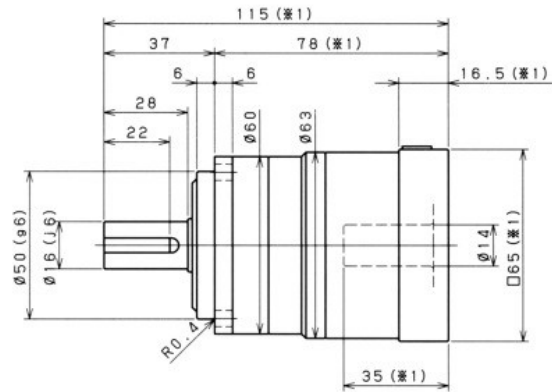
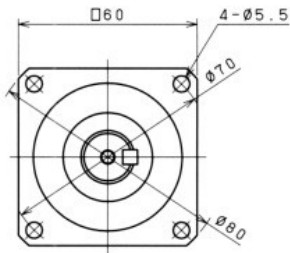
- ※ 1 With nominal input speed, service life is 20,000 hours.
- ※ 2 The maximum torque when starting and stopping.
- ※ 3 The maximum torque when it receives shock (up to 1,000 times)
- ※ 4 The maximum average input speed.
- ※ 5 The maximum momentary input speed.
- ※ 6 With this load and nominal input speed, service life will be 20,000 hours (Applied to the output shaft center, at axial load 0)
- ※ 7 With this load and nominal input speed, service life will be 20,000 hours (Applied to the output side bearing, at radial load 0)
- ※ 8 The maximum radial load the reducer can accept.
- ※ 9 The maximum axial load the reducer can accept.
- ※ 10 The weight may vary slightly model to model.

EPB-060 1段 1stage

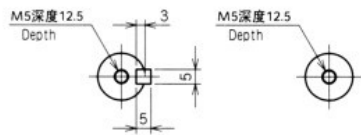
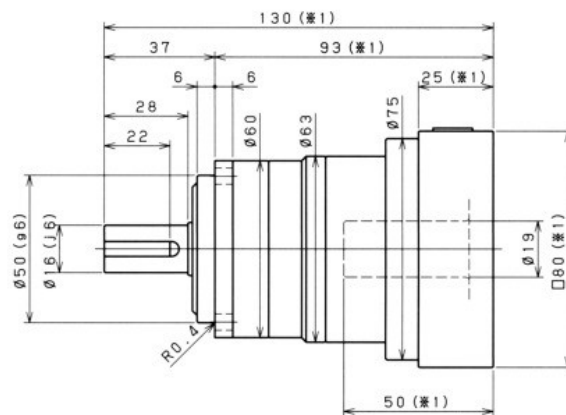
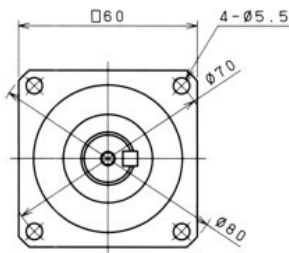
输入轴内径 Input shaft bore $\leq \phi 8$



输入轴内径 Input shaft bore $\leq \phi 14$



输入轴内径 Input shaft bore $\leq \phi 19$



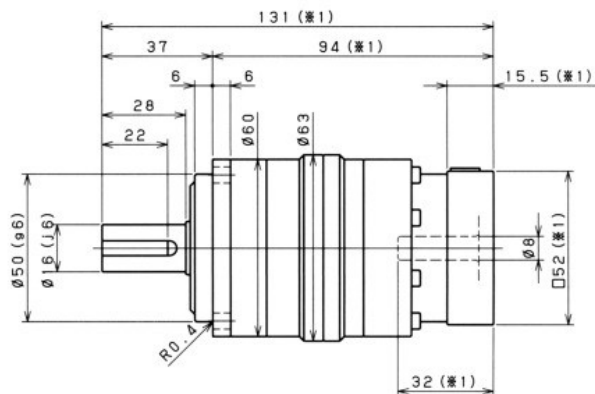
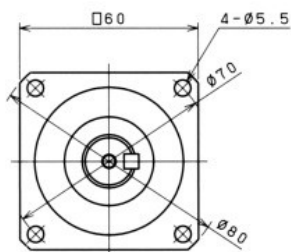
附带键轴
Shaft with key

无键轴
Smooth shaft

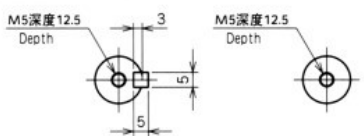
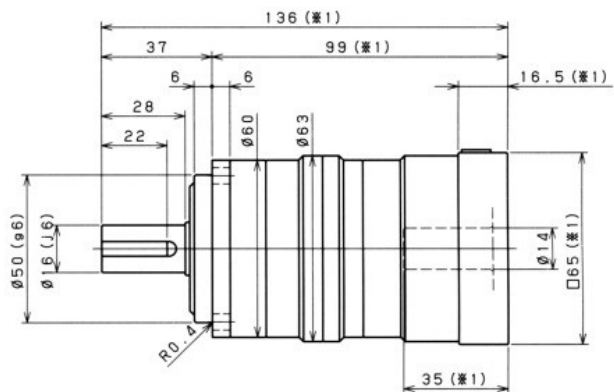
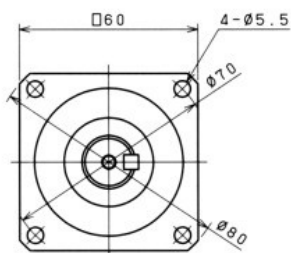
- ※ 1 随安装马达的不同而有所差异。
- ※ 2 马达轴径与输入轴径不同时，可插入轴套。
- ※ 1 Length will vary depending on motor.
- ※ 2 Bushing will be inserted to adapt to motor shaft.

EPB-060 2段 2stage

输入轴内径 Input shaft bore $\leq \phi 8$



输入轴内径 Input shaft bore $\leq \phi 14$



附带键轴
Shaft with key

无键轴
Smooth shaft

- ※ 1 随安装马达的不同而有所差异。
- ※ 2 马达轴径与输入轴径不同时，可插入轴套。
- ※ 1 Length will vary depending on motor.
- ※ 2 Bushing will be inserted to adapt to motor shaft.

尺寸 Frame size	段位 Stage	减速比 Ratio	※1	※2	※3	※4	※5	※6	※7
			容许 额定扭矩 Nominal output torque [Nm]	容许 最大扭矩 Maximum output torque [Nm]	紧急时 最大扭矩 Emergency stop torque [Nm]	容许额定 输入转速 Nominal input speed [rpm]	容许最高 输入转速 Maximum input speed [rpm]	容许 径向负荷 Permitted radial load [N]	容许 轴向负荷 Permitted axial load [N]
090	1段 Single	3	50	80	200	3000	6000	810	930
		4	75	125	250	3000	6000	890	1100
		5	75	125	250	3000	6000	960	1200
		6	75	125	250	3000	6000	1000	1300
		7	75	125	250	3000	6000	1100	1300
		8	75	125	250	3000	6000	1100	1400
		9	50	80	200	3000	6000	1200	1500
		10	50	80	200	3000	6000	1200	1600
	2段 Double	15	50	80	200	3000	6000	1400	1900
		16	75	125	250	3000	6000	1400	1900
		20	75	125	250	3000	6000	1500	2100
		25	75	125	250	3000	6000	1600	2200
		28	75	125	250	3000	6000	1700	2200
		30	50	80	200	3000	6000	1700	2200
		35	75	125	250	3000	6000	1800	2200
		40	75	125	250	3000	6000	1900	2200
		45	50	80	200	3000	6000	2000	2200
		50	75	125	250	3000	6000	2100	2200
		60	75	125	250	3000	6000	2200	2200
		70	75	125	250	3000	6000	2300	2200
80	75	125	250	3000	6000	2400	2200		
90	50	80	200	3000	6000	2400	2200		
100	50	80	200	3000	6000	2400	2200		

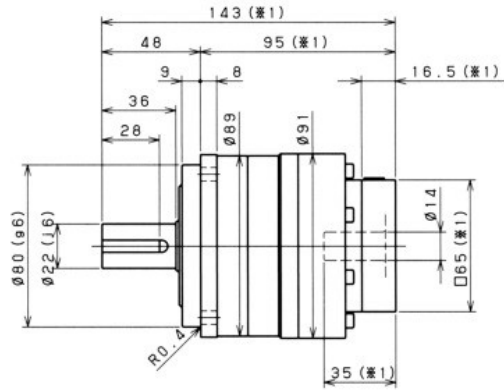
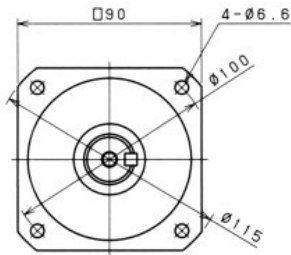
尺寸 Frame size	段位 Stage	减速比 Ratio	※8		※9		※10		
			容许最大 径向负荷 Maximum radial load [N]	容许最大 轴向负荷 Maximum axial load [N]	重量 Weight [kg]	惯性力矩 Moment of inertia (≤φ8) [kgcm ²]	惯性力矩 Moment of inertia (≤φ14) [kgcm ²]	惯性力矩 Moment of inertia (≤φ19) [kgcm ²]	惯性力矩 Moment of inertia (≤φ28) [kgcm ²]
090	1段 Single	3	2400	2200	3.7	-	0.72	1.2	3.2
		4	2400	2200		-	0.49	0.95	3.0
		5	2400	2200		-	0.40	0.86	2.9
		6	2400	2200		-	0.36	0.82	2.8
		7	2400	2200		-	0.32	0.79	2.8
		8	2400	2200		-	0.31	0.77	2.8
		9	2400	2200		-	0.29	0.76	2.8
		10	2400	2200		-	0.29	0.75	2.8
	2段 Double	15	2400	2200	4.2	0.13	0.28	0.72	-
		16	2400	2200		0.15	0.30	0.74	-
		20	2400	2200		0.13	0.28	0.72	-
		25	2400	2200		0.12	0.28	0.71	-
		28	2400	2200		0.14	0.29	0.73	-
		30	2400	2200		0.10	0.25	0.70	-
		35	2400	2200		0.12	0.27	0.71	-
		40	2400	2200		0.099	0.25	0.70	-
		45	2400	2200		0.12	0.27	0.71	-
		50	2400	2200		0.098	0.25	0.69	-
		60	2400	2200		0.098	0.25	0.69	-
		70	2400	2200		0.097	0.25	0.69	-
80	2400	2200	0.097	0.25	0.69	-			
90	2400	2200	0.097	0.25	0.69	-			
100	2400	2200	0.097	0.25	0.69	-			

- ※ 1 输入转速为额定转速时，使用寿命为20000小时的值
- ※ 2 启动、停止时容许的最大值
- ※ 3 发生撞击时容许的最大值（频率最高为1000次）
- ※ 4 运转过程中，额定输入转速的容许最大值
- ※ 5 在非连续运转条件下容许的最高输入转速
- ※ 6 输入转速为额定转速时，使用寿命为20000小时的值（作用于轴中央，轴向负荷为0时）
- ※ 7 输入转速为额定转速时，使用寿命为20000小时的值（作用于轴芯，径向负荷为0时）
- ※ 8 径向负荷的容许最大值
- ※ 9 轴向负荷的容许最大值
- ※10 因减速比和输入轴尺寸的不同而有所不同。

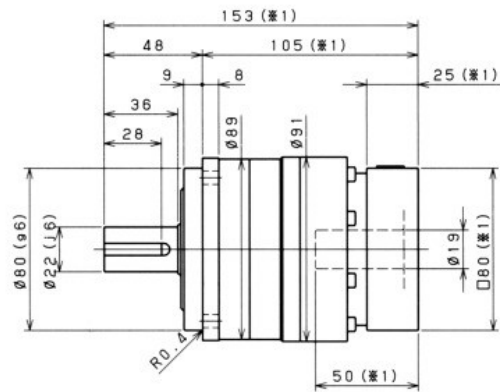
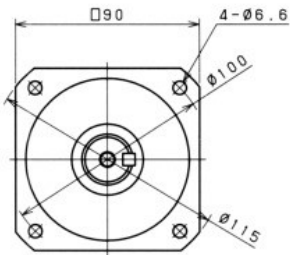
- ※ 1 With nominal input speed, service life is 20,000 hours.
- ※ 2 The maximum torque when starting and stopping.
- ※ 3 The maximum torque when it receives shock (up to 1,000 times)
- ※ 4 The maximum average input speed.
- ※ 5 The maximum momentary input speed.
- ※ 6 With this load and nominal input speed, service life will be 20,000 hours (Applied to the output shaft center, at axial load 0)
- ※ 7 With this load and nominal input speed, service life will be 20,000 hours (Applied to the output side bearing, at radial load 0)
- ※ 8 The maximum radial load the reducer can accept.
- ※ 9 The maximum axial load the reducer can accept.
- ※ 10 The weight may vary slightly model to model.

EPB-090 1段 1stage

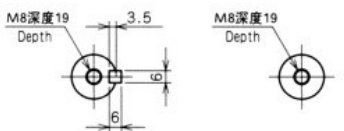
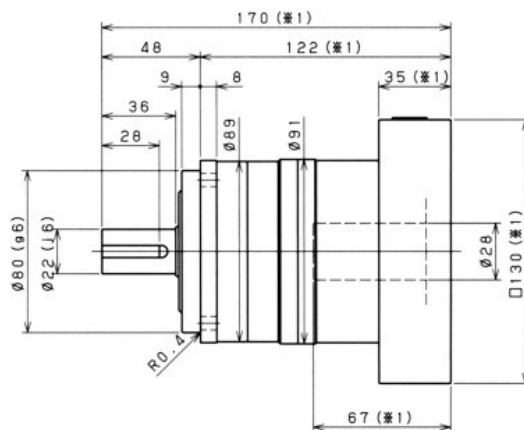
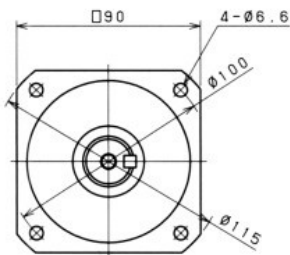
输入轴内径 Input shaft bore $\leq \phi 14$



输入轴内径 Input shaft bore $\leq \phi 19$



输入轴内径 Input shaft bore $\leq \phi 28$



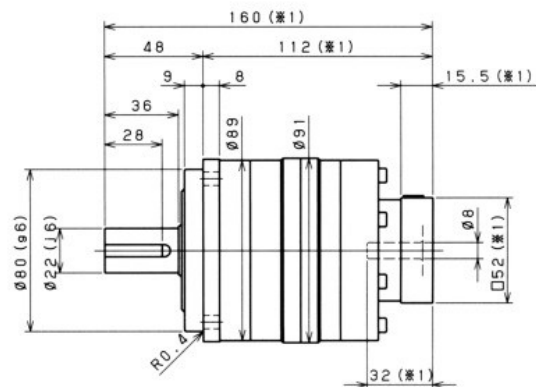
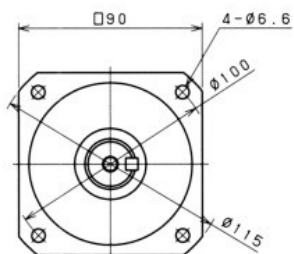
附带键轴
Shaft with key

无键轴
Smooth shaft

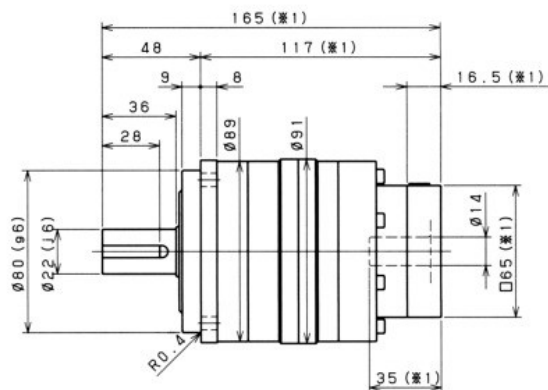
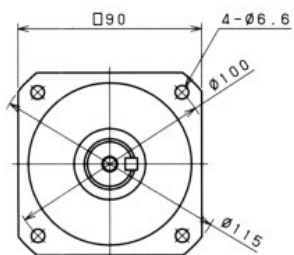
- ※ 1 随安装马达的不同而有所差异。
- ※ 2 马达轴径与输入轴径不同时，可插入轴套。
- ※ 1 Length will vary depending on motor.
- ※ 2 Bushing will be inserted to adapt to motor shaft.

EPB-090 2段 2stage

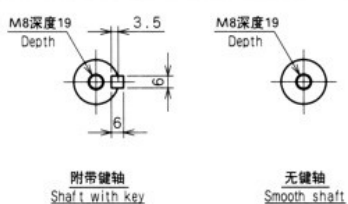
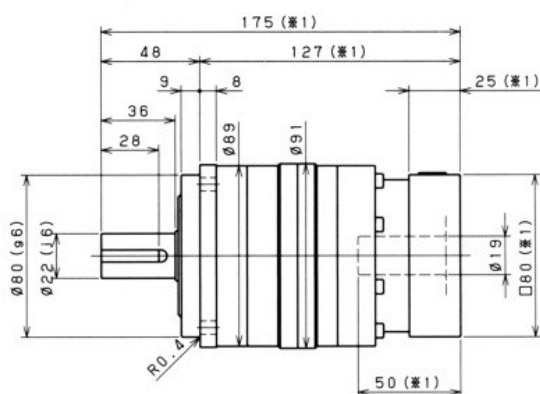
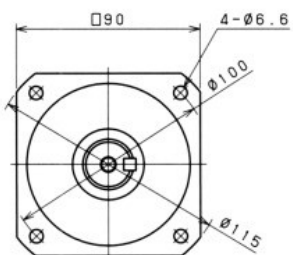
输入轴内径 Input shaft bore $\leq \phi 8$



输入轴内径 Input shaft bore $\leq \phi 14$



输入轴内径 Input shaft bore $\leq \phi 19$



- ※ 1 随安装马达的不同而有所差异。
- ※ 2 马达轴径与输入轴径不同时，可插入轴套。
- ※ 1 Length will vary depending on motor.
- ※ 2 Bushing will be inserted to adapt to motor shaft.

尺寸 Frame size	段位 Stage	减速比 Ratio	※1	※2	※3	※4	※5	※6	※7	
			容许 额定扭矩 Nominal output torque	容许 最大扭矩 Maximum output torque	紧急时 最大扭矩 Emergency stop torque	容许额定 输入转速 Nominal input speed	容许最高 输入转速 Maximum input speed	容许 径向负荷 Permitted radial load	容许 轴向负荷 Permitted axial load	
			[Nm]	[Nm]	[Nm]	[rpm]	[rpm]	[N]	[N]	
115	1段 Single	3	120	225	500	3000	6000	1300	1500	
		4	120	330	625	3000	6000	1500	1700	
		5	180	330	625	3000	6000	1600	1900	
		6	180	330	625	3000	6000	1700	2000	
		7	180	330	625	3000	6000	1800	2100	
		8	180	330	625	3000	6000	1900	2300	
		9	120	225	500	3000	6000	1900	2400	
		10	120	225	500	3000	6000	2000	2500	
		2段 Double	15	120	225	500	3000	6000	2300	3000
			16	180	330	625	3000	6000	2300	3100
	20		180	330	625	3000	6000	2500	3400	
	25		180	330	625	3000	6000	2700	3700	
	28		180	330	625	3000	6000	2800	3900	
	30		120	225	500	3000	6000	2900	3900	
	35		180	330	625	3000	6000	3000	3900	
	40		180	330	625	3000	6000	3200	3900	
	45		120	225	500	3000	6000	3300	3900	
	50		180	330	625	3000	6000	3400	3900	
	60	180	330	625	3000	6000	3600	3900		
	70	180	330	625	3000	6000	3800	3900		
80	180	330	625	3000	6000	4000	3900			
90	120	225	500	3000	6000	4200	3900			
100	120	225	500	3000	6000	4300	3900			

※8

※9

※10

尺寸 Frame size	段位 Stage	减速比 Ratio	容许最大 径向负荷 Maximum radial load	容许最大 轴向负荷 Maximum axial load	重量 Weight	惯性力矩 Moment of inertia ($\leq \phi 14$)	惯性力矩 Moment of inertia ($\leq \phi 19$)	惯性力矩 Moment of inertia ($\leq \phi 28$)	惯性力矩 Moment of inertia ($\leq \phi 38$)		
			[N]	[N]	[kg]	[kgcm ²]	[kgcm ²]	[kgcm ²]	[kgcm ²]		
			115	1段 Single	3	4300	3900	8	-	3.3	5.3
4	4300	3900			-	2.0	4.1		12		
5	4300	3900			-	1.6	3.6		11		
6	4300	3900			-	1.3	3.3		11		
7	4300	3900			-	1.1	3.2		11		
8	4300	3900			-	1.0	3.1		11		
9	4300	3900			-	0.98	3.0		11		
10	4300	3900			-	0.95	3.0		11		
2段 Double	15	4300			3900	8.9	0.43		0.86	2.8	-
	16	4300			3900		0.48		0.92	2.9	-
	20	4300		3900	0.40		0.83	2.8	-		
	25	4300		3900	0.38		0.82	2.8	-		
	28	4300		3900	0.44		0.88	2.8	-		
	30	4300		3900	0.29		0.74	2.7	-		
	35	4300		3900	0.37		0.81	2.7	-		
	40	4300		3900	0.28		0.73	2.7	-		
	45	4300		3900	0.37		0.80	2.7	-		
	50	4300		3900	0.28		0.73	2.7	-		
60	4300	3900		0.28	0.73	2.7	-				
70	4300	3900		0.28	0.73	2.7	-				
80	4300	3900	0.28	0.73	2.7	-					
90	4300	3900	0.27	0.73	2.7	-					
100	4300	3900	0.27	0.73	2.7	-					

※1 输入转速为额定转速时,使用寿命为20000小时的值

※2 启动、停止时容许的最大值

※3 发生撞击时容许的最大值(频率最高为1000次)

※4 运转过程中,额定输入转速的容许最大值

※5 在非连续运转条件下容许的最高输入转速

※6 输入转速为额定转速时,使用寿命为20000小时的值
(作用于轴中央,轴向负荷为0时)※7 输入转速为额定转速时,使用寿命为20000小时的值
(作用于轴芯,径向负荷为0时)

※8 径向负荷的容许最大值

※9 轴向负荷的容许最大值

※10 因减速比和输入轴尺寸的不同而有所不同。

※1 With nominal input speed, service life is 20,000 hours.

※2 The maximum torque when starting and stopping.

※3 The maximum torque when it receives shock (up to 1,000 times)

※4 The maximum average input speed.

※5 The maximum momentary input speed.

※6 With this load and nominal input speed, service life will be 20,000 hours
(Applied to the output shaft center, at axial load 0)※7 With this load and nominal input speed, service life will be 20,000 hours
(Applied to the output side bearing, at radial load 0)

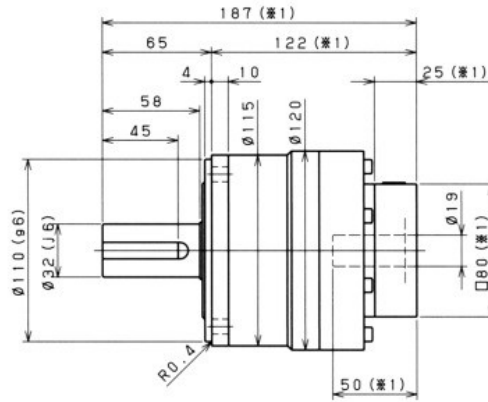
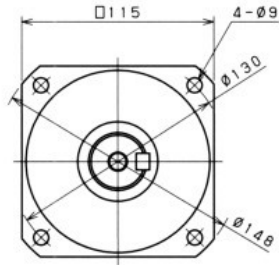
※8 The maximum radial load the reducer can accept.

※9 The maximum axial load the reducer can accept.

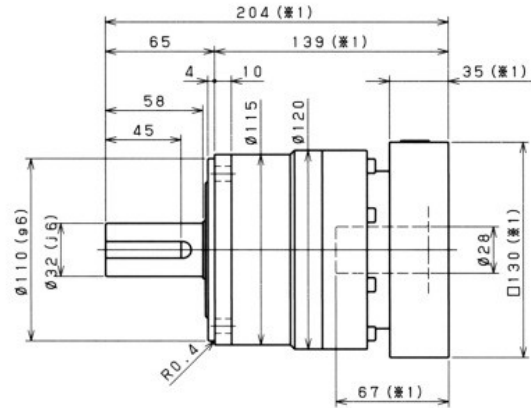
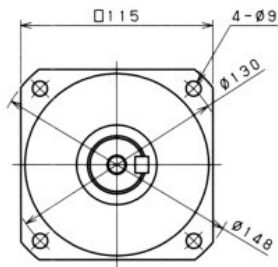
※10 The weight may vary slightly model to model.

EPB-115 1段 1stage

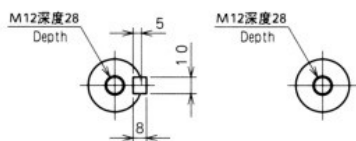
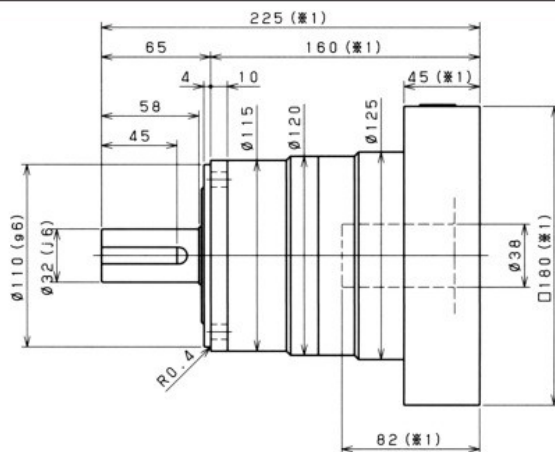
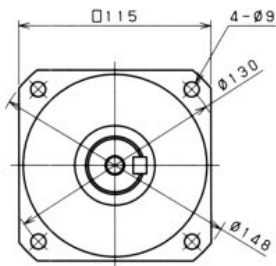
输入轴内径 Input shaft bore $\leq \phi 19$



输入轴内径 Input shaft bore $\leq \phi 28$



输入轴内径 Input shaft bore $\leq \phi 38$



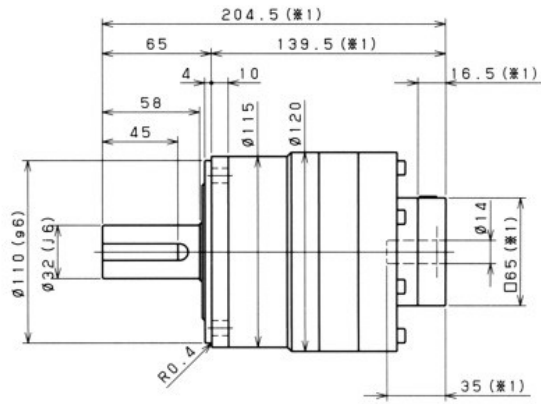
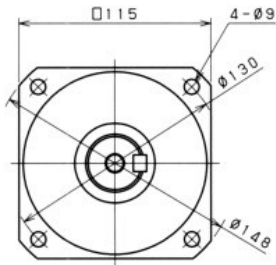
附带键轴
Shaft with key

无键轴
Smooth shaft

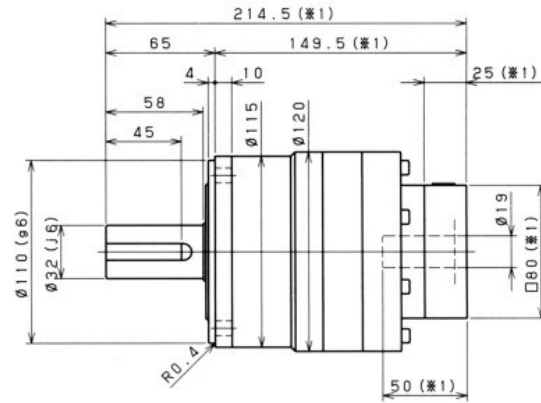
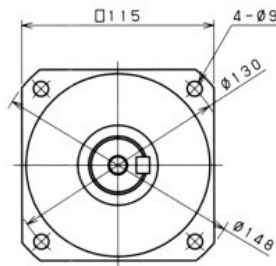
- ※ 1 随安装马达的不同而有所差异。
- ※ 2 马达轴径与输入轴径不同时，可插入轴套。
- ※ 1 Length will vary depending on motor.
- ※ 2 Bushing will be inserted to adapt to motor shaft.

EPB-115 2段 2stage

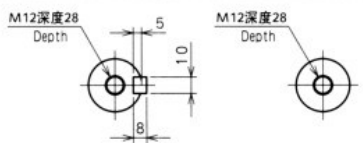
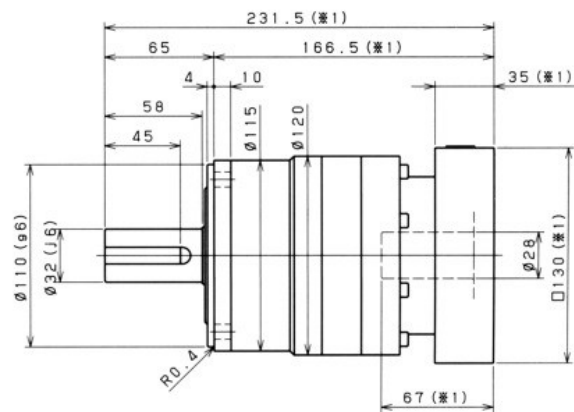
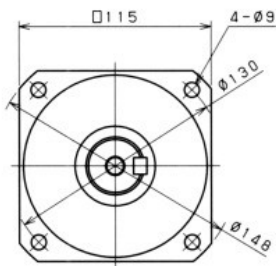
输入轴内径 Input shaft bore $\leq \phi 14$



输入轴内径 Input shaft bore $\leq \phi 19$



输入轴内径 Input shaft bore $\leq \phi 28$



附带键轴
Shaft with key

无键轴
Smooth shaft

- ※ 1 随安装马达的不同而有所差异。
- ※ 2 马达轴径与输入轴径不同时，可插入轴套。
- ※ 1 Length will vary depending on motor.
- ※ 2 Bushing will be inserted to adapt to motor shaft.

尺寸 Frame size	段位 Stage	减速比 Ratio	※1	※2	※3	※4	※5	※6	※7	
			容许 额定扭矩 Nominal output torque	容许 最大扭矩 Maximum output torque	紧急时 最大扭矩 Emergency stop torque	容许额定 输入转速 Nominal input speed	容许最高 输入转速 Maximum input speed	容许 径向负荷 Permitted radial load	容许 轴向负荷 Permitted axial load	
			[Nm]	[Nm]	[Nm]	[rpm]	[rpm]	[N]	[N]	
140	1段 Single	3	240	470	1000	2000	4000	3200	2400	
		4	240	700	1250	2000	4000	3500	2700	
		5	360	700	1250	2000	4000	3800	3000	
		6	360	700	1250	2000	4000	4000	3300	
		7	360	700	1250	2000	4000	4200	3500	
		8	360	700	1250	2000	4000	4400	3700	
		9	240	470	1000	2000	4000	4600	3900	
		10	240	470	1000	2000	4000	4700	4100	
		2段 Double	15	240	470	1000	2000	4000	5400	4900
			16	360	700	1250	2000	4000	5500	5000
	20		360	700	1250	2000	4000	6000	5500	
	25		360	700	1250	2000	4000	6400	6100	
	28		360	700	1250	2000	4000	6700	6400	
	30		240	470	1000	2000	4000	6800	6600	
	35		360	700	1250	2000	4000	7200	7000	
	40		360	700	1250	2000	4000	7500	7500	
	45		240	470	1000	2000	4000	7800	7900	
	50		360	700	1250	2000	4000	8100	8200	
	60	360	700	1250	2000	4000	8600	8200		
	70	360	700	1250	2000	4000	9100	8200		
80	360	700	1250	2000	4000	9100	8200			
90	240	470	1000	2000	4000	9100	8200			
100	240	470	1000	2000	4000	9100	8200			

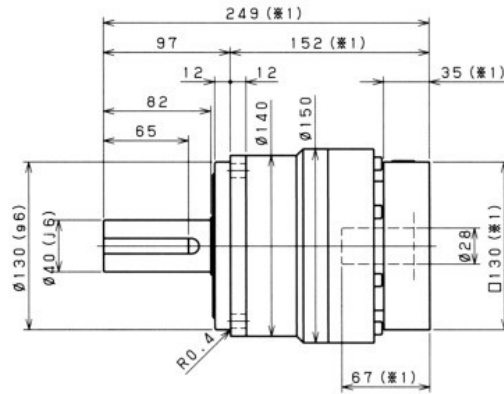
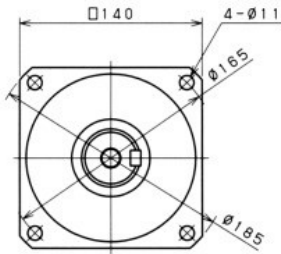
尺寸 Frame size	段位 Stage	减速比 Ratio	※8		※9		※10				
			容许最大 径向负荷 Maximum radial load	容许最大 轴向负荷 Maximum axial load	重量 Weight	惯性力矩 Moment of inertia (≤φ19)	惯性力矩 Moment of inertia (≤φ28)	惯性力矩 Moment of inertia (≤φ38)	惯性力矩 Moment of inertia (≤φ48)		
			[N]	[N]	[kg]	[kgcm ²]	[kgcm ²]	[kgcm ²]	[kgcm ²]		
140	1段 Single	3	9100	8200	16	-	12	20	42		
		4	9100	8200		-	7.5	15	37		
		5	9100	8200		-	5.8	14	36		
		6	9100	8200		-	4.9	13	35		
		7	9100	8200		-	4.1	12	34		
		8	9100	8200		-	3.8	12	34		
		9	9100	8200		-	3.6	11	34		
		10	9100	8200		-	3.5	11	34		
		2段 Double	15	9100		8200	17	1.3	3.2	11	-
			16	9100		8200		1.5	3.5	11	-
	20		9100	8200	1.2	3.1		11	-		
	25		9100	8200	1.1	3.1		11	-		
	28		9100	8200	1.4	3.3		11	-		
	30		9100	8200	0.85	2.8		10	-		
	35		9100	8200	1.1	3.1		11	-		
	40		9100	8200	0.83	2.8		10	-		
	45		9100	8200	1.1	3.0		11	-		
	50		9100	8200	0.81	2.8		10	-		
	60	9100	8200	0.81	2.8	10	-				
	70	9100	8200	0.80	2.8	10	-				
80	9100	8200	0.80	2.8	10	-					
90	9100	8200	0.80	2.8	10	-					
100	9100	8200	0.80	2.8	10	-					

- ※ 1 输入转速为额定转速时，使用寿命为20000小时的值
- ※ 2 启动、停止时容许的最大值
- ※ 3 发生撞击时容许的最大值（频率最高为1000次）
- ※ 4 运转过程中，额定输入转速的容许最大值
- ※ 5 在非连续运转条件下容许的最高输入转速
- ※ 6 输入转速为额定转速时，使用寿命为20000小时的值（作用于轴中央，轴向负荷为0时）
- ※ 7 输入转速为额定转速时，使用寿命为20000小时的值（作用于轴芯，径向负荷为0时）
- ※ 8 径向负荷的容许最大值
- ※ 9 轴向负荷的容许最大值
- ※10 因减速比和输入轴尺寸的不同而有所不同。

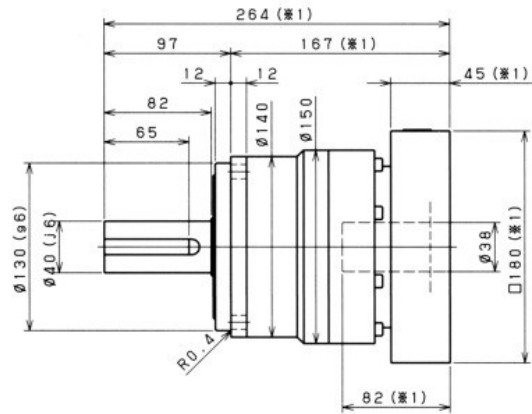
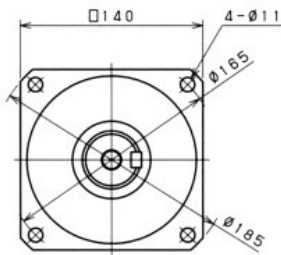
- ※ 1 With nominal input speed, service life is 20,000 hours.
- ※ 2 The maximum torque when starting and stopping.
- ※ 3 The maximum torque when it receives shock (up to 1,000 times)
- ※ 4 The maximum average input speed.
- ※ 5 The maximum momentary input speed.
- ※ 6 With this load and nominal input speed, service life will be 20,000 hours (Applied to the output shaft center, at axial load 0)
- ※ 7 With this load and nominal input speed, service life will be 20,000 hours (Applied to the output side bearing, at radial load 0)
- ※ 8 The maximum radial load the reducer can accept.
- ※ 9 The maximum axial load the reducer can accept.
- ※ 10 The weight may vary slightly model to model.

EPB-140 1段 1stage

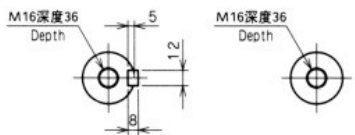
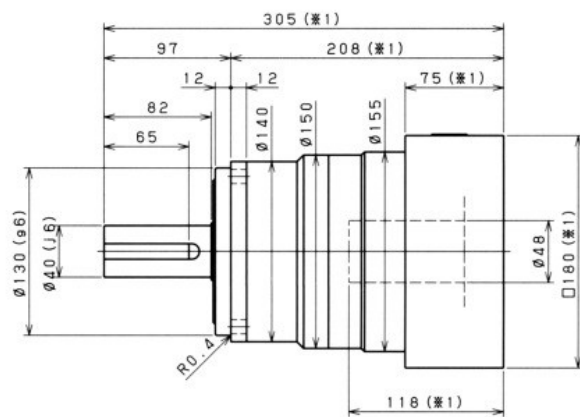
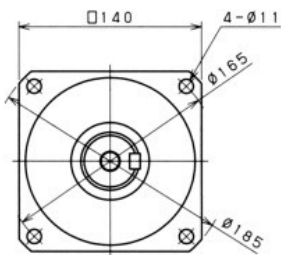
输入轴内径 Input shaft bore $\leq \phi 28$



输入轴内径 Input shaft bore $\leq \phi 38$



输入轴内径 Input shaft bore $\leq \phi 48$



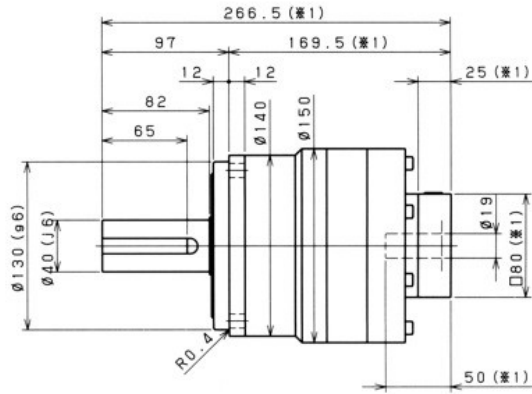
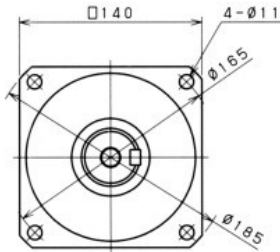
附带键轴
Shaft with key

无键轴
Smooth shaft

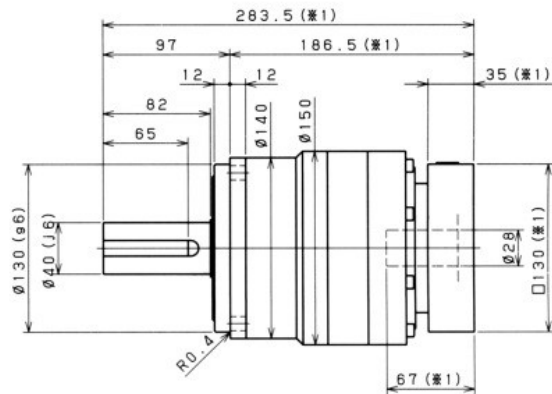
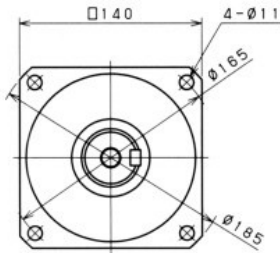
- ※ 1 随安装马达的不同而有所差异。
- ※ 2 马达轴径与输入轴径不同时，可插入轴套。
- ※ 1 Length will vary depending on motor.
- ※ 2 Bushing will be inserted to adapt to motor shaft.

EPB-140 2段 2stage

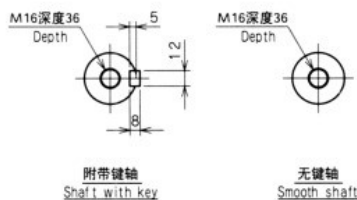
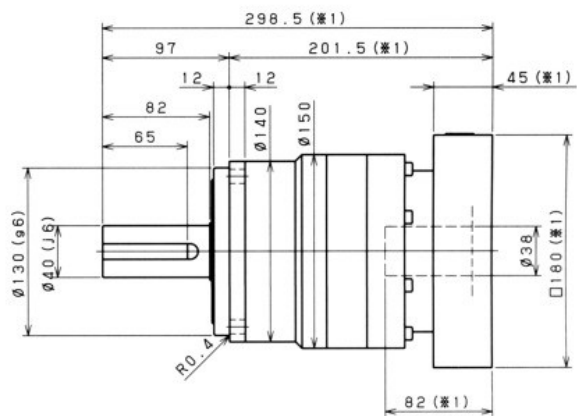
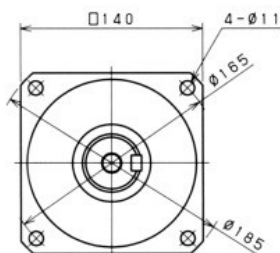
输入轴内径 Input shaft bore $\leq \phi 19$



输入轴内径 Input shaft bore $\leq \phi 28$



输入轴内径 Input shaft bore $\leq \phi 38$



- ※ 1 随安装马达的不同而有所差异。
- ※ 2 马达轴径与输入轴径不同时，可插入轴套。
- ※ 1 Length will vary depending on motor.
- ※ 2 Bushing will be inserted to adapt to motor shaft.

尺寸 Frame size	段位 Stage	减速比 Ratio	※1	※2	※3	※4	※5	※6	※7	
			容许 额定扭矩 Nominal output torque	容许 最大扭矩 Maximum output torque	紧急时 最大扭矩 Emergency stop torque	容许额定 输入转速 Nominal input speed	容许最高 输入转速 Maximum input speed	容许 径向负荷 Permitted radial load	容许 轴向负荷 Permitted axial load	
			[Nm]	[Nm]	[Nm]	[rpm]	[rpm]	[N]	[N]	
180	1段 Single	3	500	970	2200	1500	3000	5600	4300	
		4	750	1400	2750	1500	3000	6200	4900	
		5	750	1400	2750	1500	3000	6700	5400	
		6	750	1400	2750	1500	3000	7100	5800	
		7	750	1400	2750	1500	3000	7400	6300	
		8	750	1400	2750	1500	3000	7800	6600	
		9	500	970	2200	1500	3000	8100	7000	
		10	500	970	2200	1500	3000	8400	7300	
		2段 Double	15	500	970	2200	1500	3000	9600	8700
			16	750	1400	2750	1500	3000	9800	8900
	20		750	1400	2750	1500	3000	11000	9900	
	25		750	1400	2750	1500	3000	11000	11000	
	28		750	1400	2750	1500	3000	12000	11000	
	30		500	970	2200	1500	3000	12000	12000	
	35		750	1400	2750	1500	3000	13000	13000	
	40		750	1400	2750	1500	3000	13000	13000	
	45		500	970	2200	1500	3000	14000	14000	
	50		750	1400	2750	1500	3000	14000	14000	
	60	750	1400	2750	1500	3000	15000	14000		
	70	750	1400	2750	1500	3000	15000	14000		
80	750	1400	2750	1500	3000	15000	14000			
90	500	970	2200	1500	3000	15000	14000			
100	500	970	2200	1500	3000	15000	14000			

※8 ※9 ※10

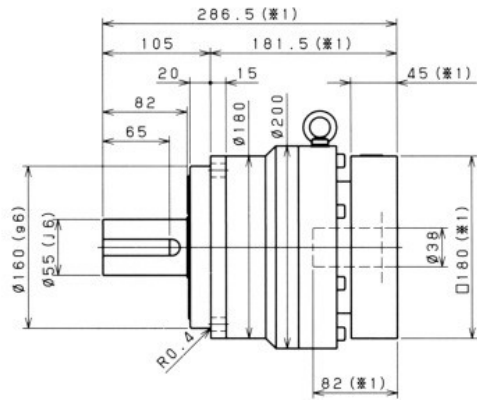
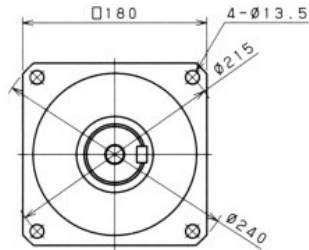
尺寸 Frame size	段位 Stage	减速比 Ratio	容许最大 径向负荷 Maximum radial load	容许最大 轴向负荷 Maximum axial load	重量 Weight	惯性力矩 Moment of inertia (≤φ28)	惯性力矩 Moment of inertia (≤φ38)	惯性力矩 Moment of inertia (≤φ48)	惯性力矩 Moment of inertia (≤φ65)		
			[N]	[N]	[kg]	[kgcm ²]	[kgcm ²]	[kgcm ²]	[kgcm ²]		
			180	1段 Single	3	15000	14000	36	-	44	66
4	15000	14000			-	28	50		110		
5	15000	14000			-	22	44		100		
6	15000	14000			-	18	41		100		
7	15000	14000			-	16	38		99		
8	15000	14000			-	15	37		97		
9	15000	14000			-	14	36		97		
10	15000	14000			-	14	36		96		
2段 Double	15	15000			14000	37	4.7		12	34	-
	16	15000			14000		5.4		13	35	-
	20	15000		14000	4.4		12	34	-		
	25	15000		14000	4.2		12	34	-		
	28	15000		14000	4.9		13	35	-		
	30	15000		14000	3.2		11	33	-		
	35	15000		14000	4.1		12	34	-		
	40	15000		14000	3.2		11	33	-		
	45	15000		14000	4.0		12	34	-		
	50	15000		14000	3.1		11	33	-		
60	15000	14000		3.1	11	33	-				
70	15000	14000		3.1	11	33	-				
80	15000	14000	3.1	11	33	-					
90	15000	14000	3.1	11	33	-					
100	15000	14000	3.1	11	33	-					

- ※1 输入转速为额定转速时，使用寿命为20000小时的值
- ※2 启动、停止时容许的最大值
- ※3 发生撞击时容许的最大值（频率最高为1000次）
- ※4 运转过程中，额定输入转速的容许最大值
- ※5 在非连续运转条件下容许的最高输入转速
- ※6 输入转速为额定转速时，使用寿命为20000小时的值（作用于轴中央，轴向负荷为0时）
- ※7 输入转速为额定转速时，使用寿命为20000小时的值（作用于轴芯，径向负荷为0时）
- ※8 径向负荷的容许最大值
- ※9 轴向负荷的容许最大值
- ※10 因减速比和输入轴尺寸的不同而有所不同。

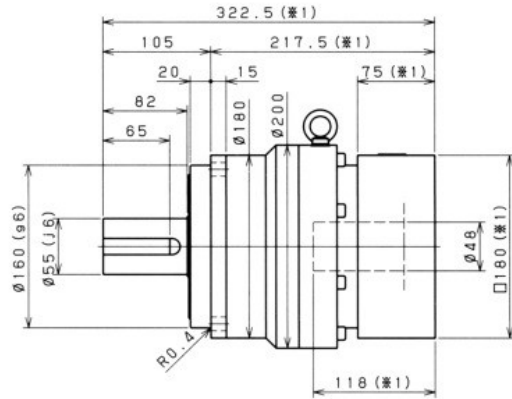
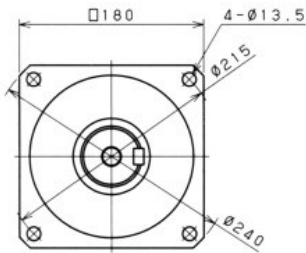
- ※1 With nominal input speed, service life is 20,000 hours.
- ※2 The maximum torque when starting and stopping.
- ※3 The maximum torque when it receives shock (up to 1,000 times)
- ※4 The maximum average input speed.
- ※5 The maximum momentary input speed.
- ※6 With this load and nominal input speed, service life will be 20,000 hours (Applied to the output shaft center, at axial load 0)
- ※7 With this load and nominal input speed, service life will be 20,000 hours (Applied to the output side bearing, at radial load 0)
- ※8 The maximum radial load the reducer can accept.
- ※9 The maximum axial load the reducer can accept.
- ※10 The weight may vary slightly model to model.

EPB-180 1段 1stage

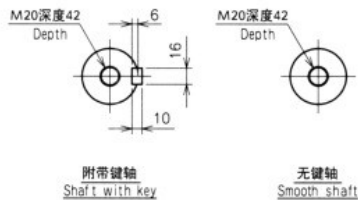
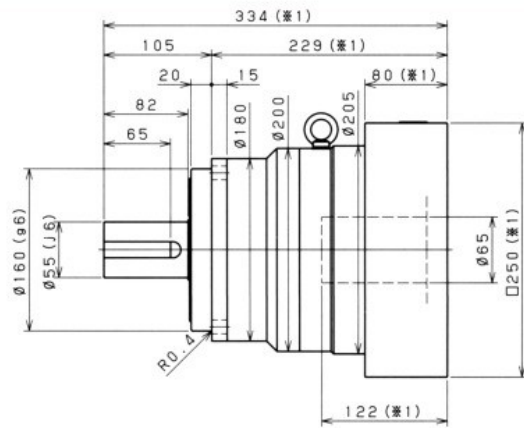
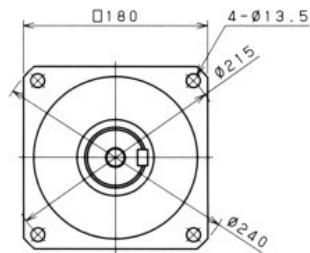
输入轴内径 Input shaft bore $\leq \phi 38$



输入轴内径 Input shaft bore $\leq \phi 48$



输入轴内径 Input shaft bore $\leq \phi 65$



※ 1 随安装马达的不同而有所差异。

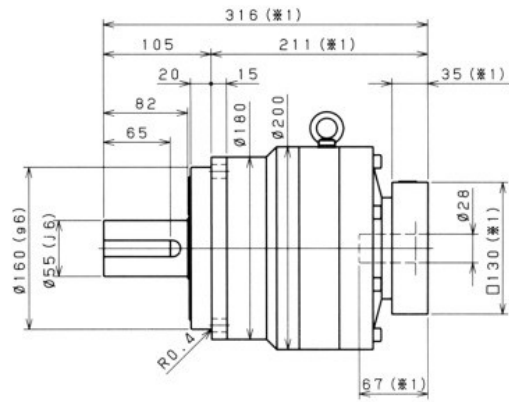
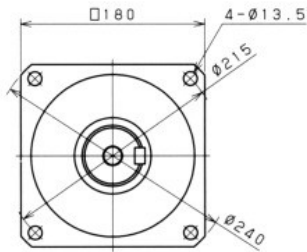
※ 2 马达轴径与输入轴径不同时，可插入轴套。

※ 1 Length will vary depending on motor.

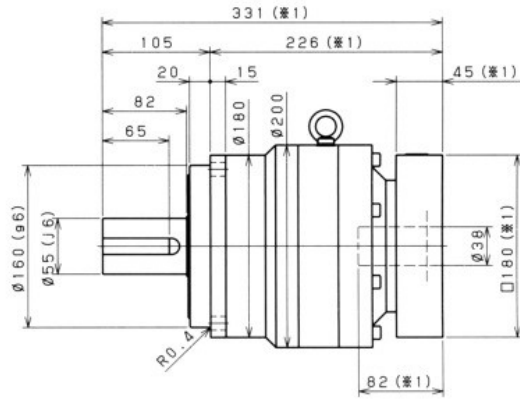
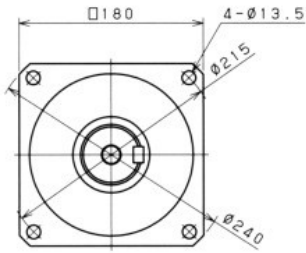
※ 2 Bushing will be inserted to adapt to motor shaft.

EPB-180 2段 2stage

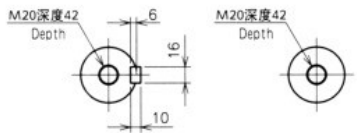
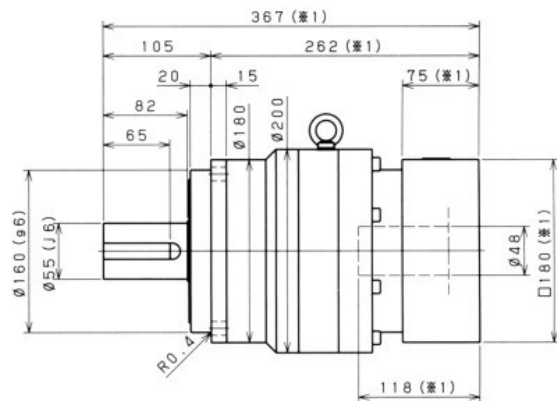
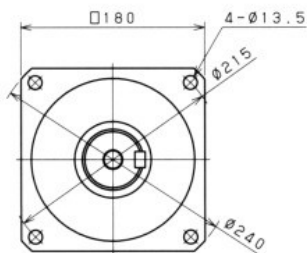
输入轴内径 Input shaft bore $\leq \phi 28$



输入轴内径 Input shaft bore $\leq \phi 38$



输入轴内径 Input shaft bore $\leq \phi 48$



附带键轴
Shaft with key

无键轴
Smooth shaft

※ 1 随安装马达的不同而有所差异。

※ 2 马达轴径与输入轴径不同时，可插入轴套。

※ 1 Length will vary depending on motor.

※ 2 Bushing will be inserted to adapt to motor shaft.

尺寸 Frame size	段位 Stage	减速比 Ratio	※1	※2	※3	※4	※5	※6	※7
			容许 额定扭矩 Nominal output torque [Nm]	容许 最大扭矩 Maximum output torque [Nm]	紧急时 最大扭矩 Emergency stop torque [Nm]	容许额定 输入转速 Nominal input speed [rpm]	容许最高 输入转速 Maximum input speed [rpm]	容许 径向负荷 Permitted radial load [N]	容许 轴向负荷 Permitted axial load [N]
220	1段 Single	3	1000	1600	4000	1000	2000	5800	6400
		4	1500	2300	5000	1000	2000	6400	7200
		5	1500	2300	5000	1000	2000	6900	7900
		6	1500	2300	5000	1000	2000	7300	8600
		7	1500	2300	5000	1000	2000	7700	9200
		8	1500	2200	5000	1000	2000	8000	9700
		9	1000	1900	4000	1000	2000	8400	10000
	2段 Double	10	1000	1600	4000	1000	2000	8700	11000
		15	1000	1600	4000	1000	2000	9900	13000
		16	1500	2300	5000	1000	2000	10000	13000
		20	1500	2300	5000	1000	2000	11000	14000
		25	1500	2300	5000	1000	2000	12000	14000
		28	1500	2300	5000	1000	2000	12000	14000
		30	1000	1600	4000	1000	2000	13000	14000
		35	1500	2300	5000	1000	2000	13000	14000
		40	1500	2300	5000	1000	2000	14000	14000
		45	1000	1300	4000	1000	2000	14000	14000
		50	1500	2300	5000	1000	2000	15000	14000
60	1500	2300	5000	1000	2000	15000	14000		
70	1500	2300	5000	1000	2000	15000	14000		
80	1500	1800	5000	1000	2000	15000	14000		
90	1000	1300	4000	1000	2000	15000	14000		
100	1000	1200	4000	1000	2000	15000	14000		

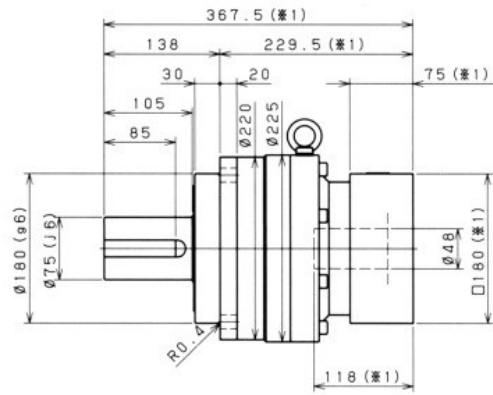
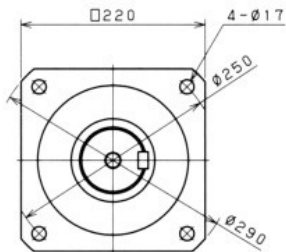
尺寸 Frame size	段位 Stage	减速比 Ratio	※8		重量 Weight [kg]	※9	※10	
			容许最大 径向负荷 Maximum radial load [N]	容许最大 轴向负荷 Maximum axial load [N]				
220	1段 Single	3	15000	14000	53	-	90	150
		4	15000	14000		-	62	120
		5	15000	14000		-	52	110
		6	15000	14000		-	47	110
		7	15000	14000		-	42	100
		8	15000	14000		-	40	100
		9	15000	14000		-	39	99
	2段 Double	10	15000	14000	-	38	98	
		15	15000	14000	14	36	-	
		16	15000	14000	16	37	-	
		20	15000	14000	14	35	-	
		25	15000	14000	14	35	-	
		28	15000	14000	15	36	-	
		30	15000	14000	12	34	-	
		35	15000	14000	13	35	-	
		40	15000	14000	12	33	-	
		45	15000	14000	13	35	-	
		50	15000	14000	12	33	-	
60	15000	14000	12	33	-			
70	15000	14000	12	33	-			
80	15000	14000	12	33	-			
90	15000	14000	12	33	-			
100	15000	14000	12	33	-			

- ※ 1 输入转速为额定转速时，使用寿命为20000小时的值
- ※ 2 启动、停止时容许的最大值
- ※ 3 发生撞击时容许的最大值（频率最高为1000次）
- ※ 4 运转过程中，额定输入转速的容许最大值
- ※ 5 在非连续运转条件下容许的最高输入转速
- ※ 6 输入转速为额定转速时，使用寿命为20000小时的值（作用于轴中央，轴向负荷为0时）
- ※ 7 输入转速为额定转速时，使用寿命为20000小时的值（作用于轴芯，径向负荷为0时）
- ※ 8 径向负荷的容许最大值
- ※ 9 轴向负荷的容许最大值
- ※10 因减速比和输入轴尺寸的不同而有所不同。

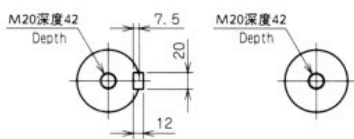
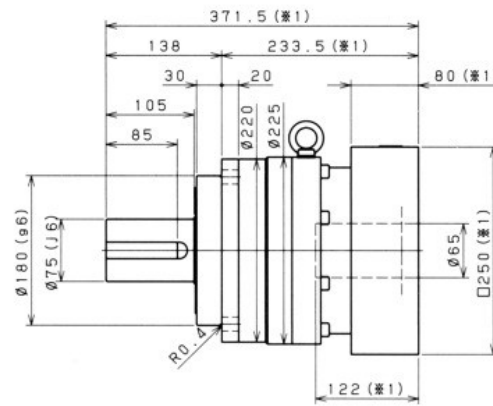
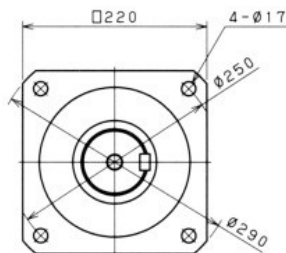
- ※ 1 With nominal input speed, service life is 20,000 hours.
- ※ 2 The maximum torque when starting and stopping.
- ※ 3 The maximum torque when it receives shock (up to 1,000 times)
- ※ 4 The maximum average input speed.
- ※ 5 The maximum momentary input speed.
- ※ 6 With this load and nominal input speed, service life will be 20,000 hours (Applied to the output shaft center, at axial load 0)
- ※ 7 With this load and nominal input speed, service life will be 20,000 hours (Applied to the output side bearing, at radial load 0)
- ※ 8 The maximum radial load the reducer can accept.
- ※ 9 The maximum axial load the reducer can accept.
- ※ 10 The weight may vary slightly model to model.

EPB-220 1段 1stage

输入轴内径 Input shaft bore $\leq \phi 48$



输入轴内径 Input shaft bore $\leq \phi 65$



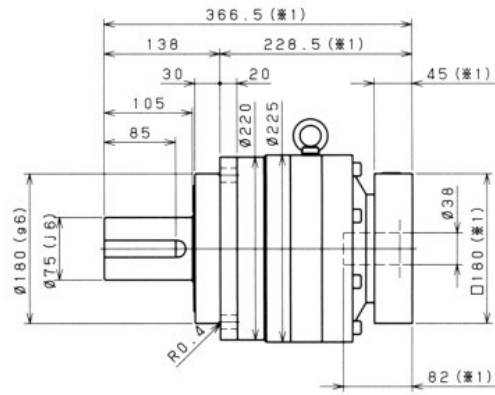
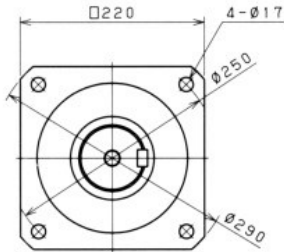
附带键轴
Shaft with key

无键轴
Smooth shaft

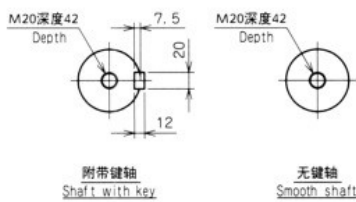
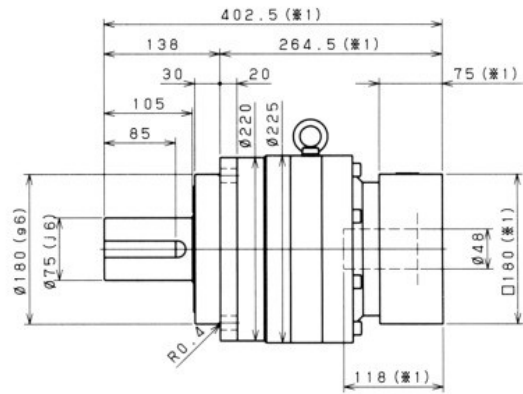
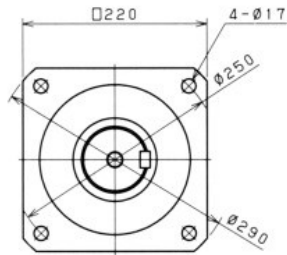
- ※ 1 随安装马达的不同而有所差异。
- ※ 2 马达轴径与输入轴径不同时，可插入轴套。
- ※ 1 Length will vary depending on motor.
- ※ 2 Bushing will be inserted to adapt to motor shaft.

EPB-220 2段 2stage

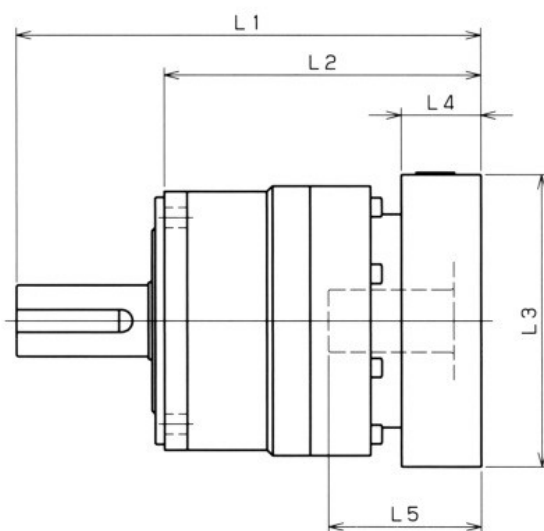
输入轴内径 Input shaft bore $\leq \phi 38$



输入轴内径 Input shaft bore $\leq \phi 48$



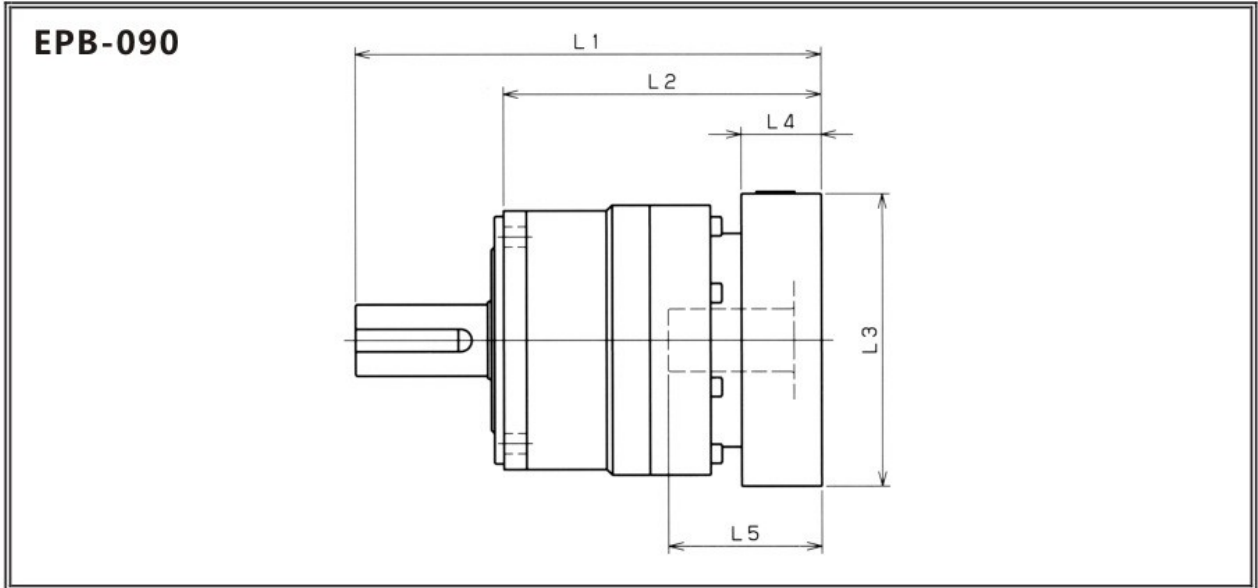
- ※ 1 随安装马达的不同而有所差异。
- ※ 2 马达轴径与输入轴径不同时，可插入轴套。
- ※ 1 Length will vary depending on motor.
- ※ 2 Bushing will be inserted to adapt to motor shaft.

EPB-060


型号 Model number	** : 输入法兰编号 ** : Input flange code	1段 Single					2段 Double				
		L1	L2	L3	L4	L5	L1	L2	L3	L4	L5
EPB-060-□-□-8** (输入轴内径 ≤ φ8 Input shaft bore)	AA·AC·AD·AF·AG	112	75	□52	15.5	32	131	94	□52	15.5	32
	AB·AE·AH·AJ·AK	117	80	□52	20.5	37	136	99	□52	20.5	37
	BA·BB·BD·BE	112	75	□60	15.5	32	131	94	□60	15.5	32
	BC·BF	117	80	□60	20.5	37	136	99	□60	20.5	37
	CA	117	80	□70	20.5	37	136	99	□70	20.5	37
EPB-060-□-□-14** (输入轴内径 ≤ φ14 Input shaft bore)	BA·BB·BD·BE·BF·BG·BJ·BK	115	78	□65	16.5	35	136	99	□65	16.5	35
	BC·BH·BM	120	83	□65	21.5	40	141	104	□65	21.5	40
	BL	125	88	□65	26.5	45	146	109	□65	26.5	45
	CA	115	78	□70	16.5	35	136	99	□70	16.5	35
	CB	120	83	□70	21.5	40	141	104	□70	21.5	40
	DA·DB·DC·DD·DF·DH	115	78	□80	16.5	35	136	99	□80	16.5	35
	DE	120	83	□80	21.5	40	141	104	□80	21.5	40
	DG	125	88	□80	26.5	45	146	109	□80	26.5	45
	EA·EB·EC	115	78	□90	16.5	35	136	99	□90	16.5	35
	ED	125	88	□90	26.5	45	146	109	□90	26.5	45
	FA	115	78	□100	16.5	35	136	99	□100	16.5	35
GA	115	78	□115	16.5	35	136	99	□115	16.5	35	
EPB-060-□-□-19** (输入轴内径 ≤ φ19 Input shaft bore)	DA·DB·DC	130	93	□80	25	50					
	DD	140	103	□80	35	60					
	DE	135	98	□80	30	55					
	EA	135	98	□90	30	55					
	EB	130	93	□90	25	50					
	EC	140	103	□90	35	60					
	FA	130	93	□100	25	50					
	FB	140	103	□100	35	60					
	GA·GC	135	98	□115	30	55					
	GB·GD	130	93	□115	25	50					
	HA	130	93	□130	25	50					
HB	145	108	□130	40	65						
HC·HD·HE	135	98	□130	30	55						

※ 1 1段减速: 1/3~1/10; 2段减速: 1/15~1/100
 ※ 2 马达轴径与输入轴径不同时, 可插入轴套。

※ 1 Single reduction: 1/3~1/10, Double reduction: 1/15~1/100
 ※ 2 Bushing will be inserted to adapt to motor shaft.

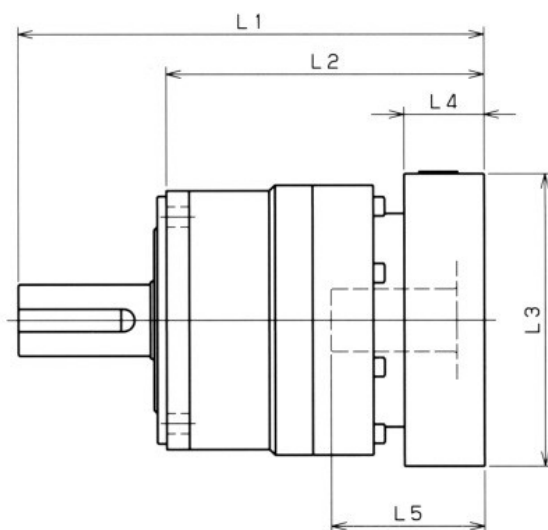


型号 Model number	**: 输入法兰编号 **: Input flange code	1段 Single					2段 Double				
		L1	L2	L3	L4	L5	L1	L2	L3	L4	L5
EPB-090-□-□-8** (输入轴内径 $\leq \phi 8$) Input shaft bore $\leq \phi 8$	AA·AC·AD·AF·AG						160	112	□52	15.5	32
	AB·AE·AH·AJ·AK						165	117	□52	20.5	37
	BA·BB·BD·BE						160	112	□60	15.5	32
	BC·BF						165	117	□60	20.5	37
	CA						165	117	□70	20.5	37
EPB-090-□-□-14** (输入轴内径 $\leq \phi 14$) Input shaft bore $\leq \phi 14$	BA·BB·BD·BE·BF·BG·BJ·BK	143	95	□65	16.5	35	165	117	□65	16.5	35
	BC·BH·BM	148	100	□65	21.5	40	170	122	□65	21.5	40
	BL	153	105	□65	26.5	45	175	127	□65	26.5	45
	CA	143	95	□70	16.5	35	165	117	□70	16.5	35
	CB	148	100	□70	21.5	40	170	122	□70	21.5	40
	DA·DB·DC·DD·DF·DH	143	95	□80	16.5	35	165	117	□80	16.5	35
	DE	148	100	□80	21.5	40	170	122	□80	21.5	40
	DG	153	105	□80	26.5	45	175	127	□80	26.5	45
	EA·EB·EC	143	95	□90	16.5	35	165	117	□90	16.5	35
	ED	153	105	□90	26.5	45	175	127	□90	26.5	45
	FA	143	95	□100	16.5	35	165	117	□100	16.5	35
	GA	143	95	□115	16.5	35	165	117	□115	16.5	35
EPB-090-□-□-19** (输入轴内径 $\leq \phi 19$) Input shaft bore $\leq \phi 19$	DA·DB·DC	153	105	□80	25	50	175	127	□80	25	50
	DD	163	115	□80	35	60	185	137	□80	35	60
	DE	158	110	□80	30	55	180	132	□80	30	55
	EA	158	110	□90	30	55	180	132	□90	30	55
	EB	153	105	□90	25	50	175	127	□90	25	50
	EC	163	115	□90	35	60	185	137	□90	35	60
	FA	153	105	□100	25	50	175	127	□100	25	50
	FB	163	115	□100	35	60	185	137	□100	35	60
	GA·GC	158	110	□115	30	55	180	132	□115	30	55
	GB·GD	153	105	□115	25	50	175	127	□115	25	50
	HA	153	105	□130	25	50	175	127	□130	25	50
	HB	168	120	□130	40	65	190	142	□130	40	65
HC·HD·HE	158	110	□130	30	55	180	132	□130	30	55	
EPB-090-□-□-28** (输入轴内径 $\leq \phi 28$) Input shaft bore $\leq \phi 28$	FA·FB·FC	170	122	□100	35	67					
	GA·GB·GC·GD·GE·GF·GG	170	122	□115	35	67					
	HA·HC·HD	170	122	□130	35	67					
	HB	180	132	□130	45	77					
	JA·JB·JC	170	122	□150	35	67					
	KA·KB	170	122	□180	35	67					
	KD	180	132	□180	45	77					
	LA	170	122	□200	35	67					
MA	170	122	□220	35	67						

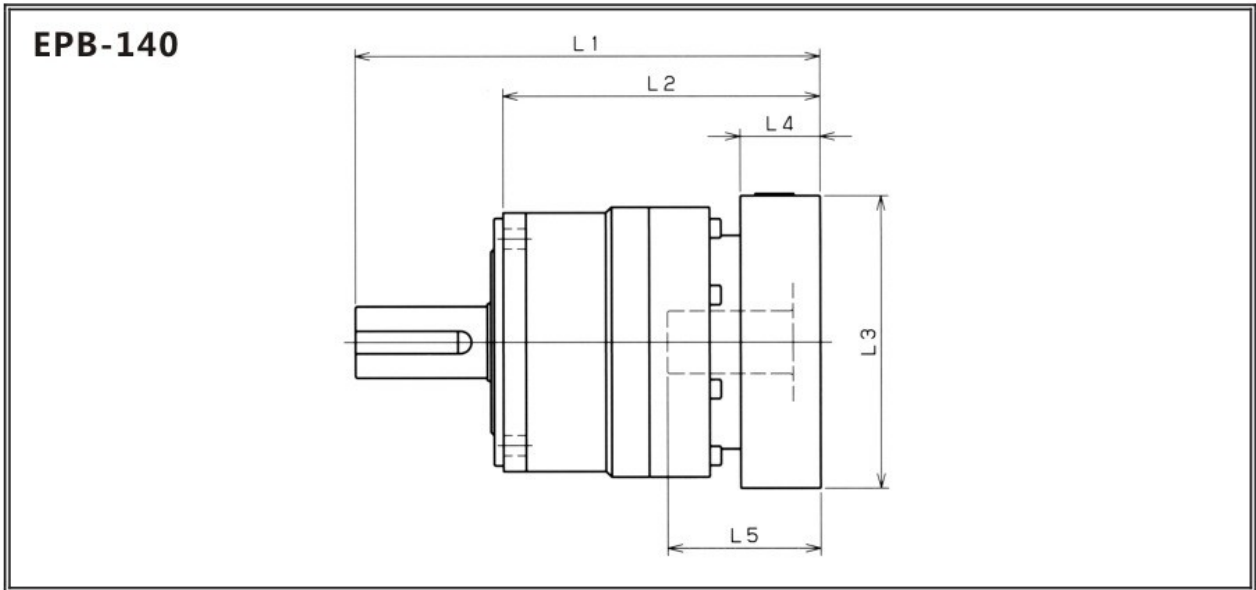
※ 1 1段减速: 1/3~1/10; 2段减速: 1/15~1/100
 ※ 2 马达轴径与输入轴径不同时, 可插入轴套。

※ 1 Single reduction: 1/3~1/10, Double reduction: 1/15~1/100
 ※ 2 Bushing will be inserted to adapt to motor shaft.

EPB-115



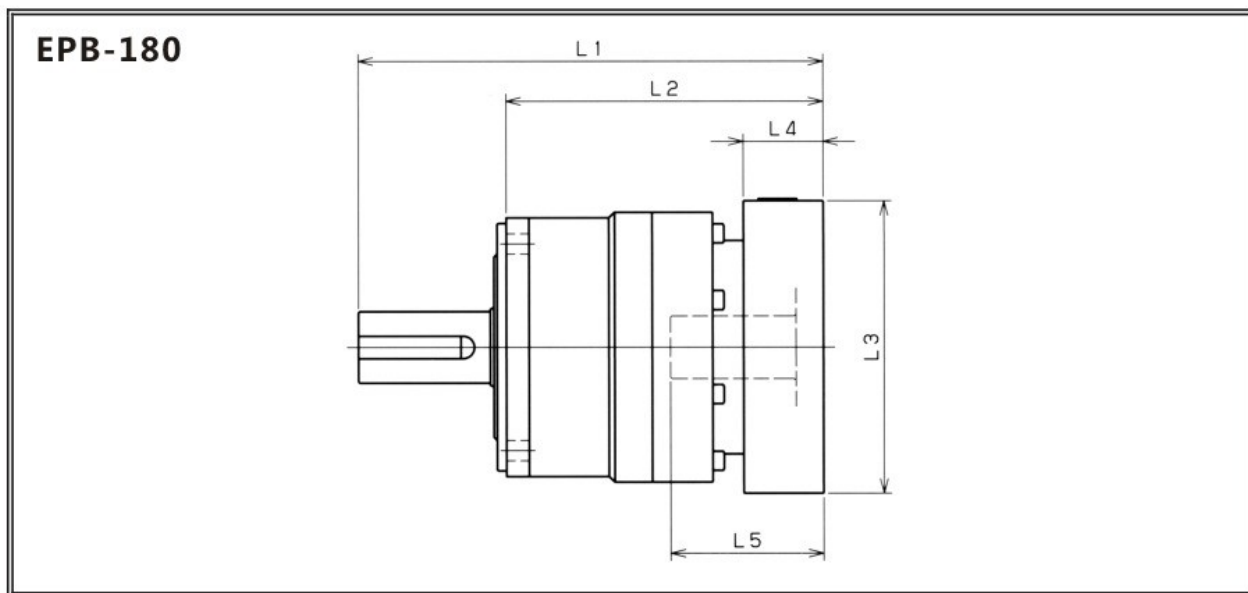
型号 Model number	** : 输入法兰编号 ** : Input flange code	1段 Single					2段 Double				
		L1	L2	L3	L4	L5	L1	L2	L3	L4	L5
EPB-115-□-□-14** (输入轴内径 ≤ φ14 Input shaft bore)	BA·BB·BD·BE·BF·BG·BJ·BK						204.5	139.5	□65	16.5	35
	BC·BH·BM						209.5	144.5	□65	21.5	40
	BL						214.5	149.5	□65	26.5	45
	CA						204.5	139.5	□70	16.5	35
	CB						209.5	144.5	□70	21.5	40
	DA·DB·DC·DD·DF·DH						204.5	139.5	□80	16.5	35
	DE						209.5	144.5	□80	21.5	40
	DG						214.5	149.5	□80	26.5	45
	EA·EB·EC						204.5	139.5	□90	16.5	35
	ED						214.5	149.5	□90	26.5	45
	FA						204.5	139.5	□100	16.5	35
	GA						204.5	139.5	□115	16.5	35
	EPB-115-□-□-19** (输入轴内径 ≤ φ19 Input shaft bore)	DA·DB·DC	187	122	□80	25	50	214.5	149.5	□80	25
DD		197	132	□80	35	60	224.5	159.5	□80	35	60
DE		192	127	□80	30	55	219.5	154.5	□80	30	55
EA		192	127	□90	30	55	219.5	154.5	□90	30	55
EB		187	122	□90	25	50	214.5	149.5	□90	25	50
EC		197	132	□90	35	60	224.5	159.5	□90	35	60
FA		187	122	□100	25	50	214.5	149.5	□100	25	50
FB		197	132	□100	35	60	224.5	159.5	□100	35	60
GA·GC		192	127	□115	30	55	219.5	154.5	□115	30	55
GB·GD		187	122	□115	25	50	214.5	149.5	□115	25	50
HA		187	122	□130	25	50	214.5	149.5	□130	25	50
HB		202	137	□130	40	65	229.5	164.5	□130	40	65
HC·HD·HE		192	127	□130	30	55	219.5	154.5	□130	30	55
EPB-115-□-□-28** (输入轴内径 ≤ φ28 Input shaft bore)	FA·FB·FC	204	139	□100	35	67	231.5	166.5	□100	35	67
	GA·GB·GC·GD·GE·GF·GG	204	139	□115	35	67	231.5	166.5	□115	35	67
	HA·HC·HD	204	139	□130	35	67	231.5	166.5	□130	35	67
	HB	214	149	□130	45	77	241.5	176.5	□130	45	77
	JA·JB·JC	204	139	□150	35	67	231.5	166.5	□150	35	67
	KA·KB	204	139	□180	35	67	231.5	166.5	□180	35	67
	KD	214	149	□180	45	77	241.5	176.5	□180	45	77
	LA	204	139	□200	35	67	231.5	166.5	□200	35	67
	MA	204	139	□220	35	67	231.5	166.5	□220	35	67
EPB-115-□-□-38** (输入轴内径 ≤ φ38 Input shaft bore)	HA	225	160	□130	45	82					
	HB	220	155	□130	40	77					
	JA	225	160	□150	45	82					
	KA·KB·KC	225	160	□180	45	82					
	LA	225	160	□200	45	82					
	LB	235	170	□200	55	92					
	MA·MB	225	160	□220	45	82					
	NA	225	160	□250	45	82					



型号 Model number	** : 输入法兰编号 ** : Input flange code	1段 Single					2段 Double				
		L1	L2	L3	L4	L5	L1	L2	L3	L4	L5
EPB-140-□-□-19** (输入轴内径 $\leq \phi 19$) Input shaft bore $\leq \phi 19$	DA·DB·DC	/	/	/	/	/	266.5	169.5	□80	25	50
	DD	/	/	/	/	/	276.5	179.5	□80	35	60
	DE	/	/	/	/	/	271.5	174.5	□80	30	55
	EA	/	/	/	/	/	271.5	174.5	□90	30	55
	EB	/	/	/	/	/	266.5	169.5	□90	25	50
	EC	/	/	/	/	/	276.5	179.5	□90	35	60
	FA	/	/	/	/	/	266.5	169.5	□100	25	50
	FB	/	/	/	/	/	276.5	179.5	□100	35	60
	GA·GC	/	/	/	/	/	271.5	174.5	□115	30	55
	GB·GD	/	/	/	/	/	266.5	169.5	□115	25	50
	HA	/	/	/	/	/	266.5	169.5	□130	25	50
	HB	/	/	/	/	/	281.5	184.5	□130	40	65
HC·HD·HE	/	/	/	/	/	271.5	174.5	□130	30	55	
EPB-140-□-□-28** (输入轴内径 $\leq \phi 28$) Input shaft bore $\leq \phi 28$	FA·FB·FC	249	152	□100	35	67	283.5	186.5	□100	35	67
	GA·GB·GC·GD·GE·GF·GG	249	152	□115	35	67	283.5	186.5	□115	35	67
	HA·HC·HD	249	152	□130	35	67	283.5	186.5	□130	35	67
	HB	259	162	□130	45	77	293.5	196.5	□130	45	77
	JA·JB·JC	249	152	□150	35	67	283.5	186.5	□150	35	67
	KA·KB	249	152	□180	35	67	283.5	186.5	□180	35	67
	KD	259	162	□180	45	77	293.5	196.5	□180	45	77
	LA	249	152	□200	35	67	283.5	186.5	□200	35	67
MA	249	152	□220	35	67	283.5	186.5	□220	35	67	
EPB-140-□-□-38** (输入轴内径 $\leq \phi 38$) Input shaft bore $\leq \phi 38$	HA	264	167	□130	45	82	298.5	201.5	□130	45	82
	HB	259	162	□130	40	77	293.5	196.5	□130	40	77
	JA	264	167	□150	45	82	298.5	201.5	□150	45	82
	KA·KB·KC	264	167	□180	45	82	298.5	201.5	□180	45	82
	LA	264	167	□200	45	82	298.5	201.5	□200	45	82
	LB	274	177	□200	55	92	308.5	211.5	□200	55	92
	MA·MB	264	167	□220	45	82	298.5	201.5	□220	45	82
NA	264	167	□250	45	82	298.5	201.5	□250	45	82	
EPB-140-□-□-48** (输入轴内径 $\leq \phi 48$) Input shaft bore $\leq \phi 48$	KB·KC	285	188	□180	55	98	/	/	/	/	/
	KA	305	208	□180	75	118	/	/	/	/	/
	LA	285	188	□200	55	98	/	/	/	/	/
	MA	285	188	□220	55	98	/	/	/	/	/
	MB	305	208	□220	75	118	/	/	/	/	/
	NA	305	208	□250	75	118	/	/	/	/	/
PA	305	208	□280	75	118	/	/	/	/	/	

※ 1 1段减速 : 1/3~1/10; 2段减速 : 1/15~1/100
 ※ 2 马达轴径与输入轴径不同时, 可插入轴套。

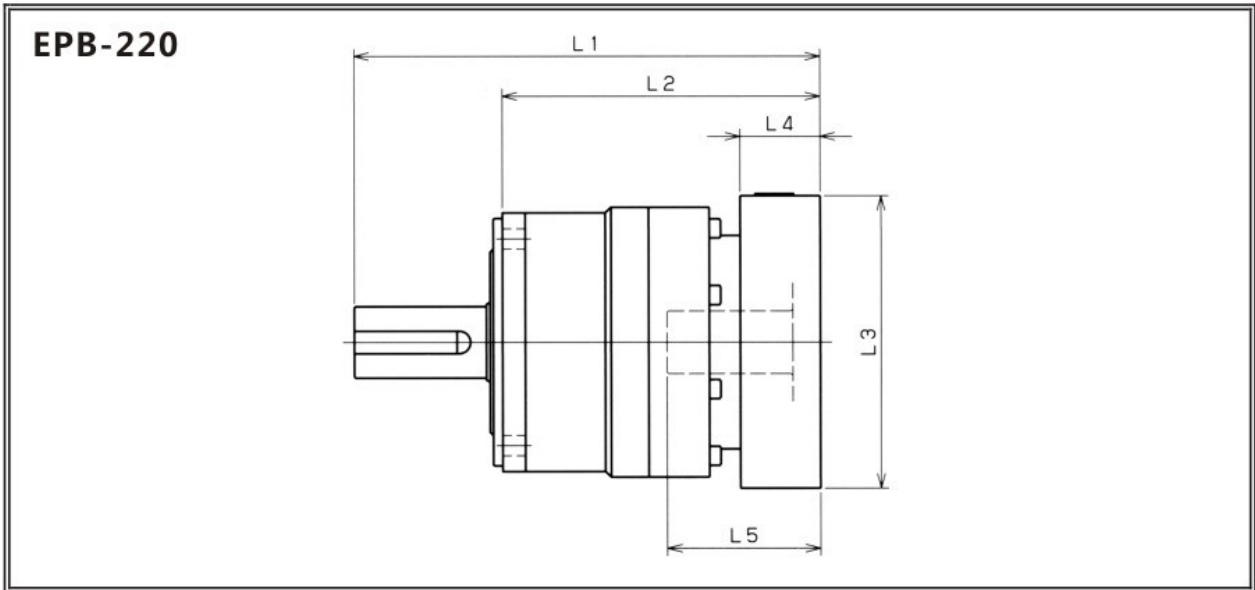
※ 1 Single reduction: 1/3~1/10, Double reduction: 1/15~1/100
 ※ 2 Bushing will be inserted to adapt to motor shaft.



型号 Model number	** : 输入法兰编号 ** : Input flange code	1段 Single					2段 Double				
		L1	L2	L3	L4	L5	L1	L2	L3	L4	L5
EPB-180-□-□-28** (输入轴内径 ≤ φ28 Input shaft bore)	FA·FB·FC						316	211	□100	35	67
	GA·GB·GC·GD·GE·GF·GG						316	211	□115	35	67
	HA·HC·HD						316	211	□130	35	67
	HB						326	221	□130	45	77
	JA·JB·JC						316	211	□150	35	67
	KA·KB						316	211	□180	35	67
	KD						326	221	□180	45	77
	LA						316	211	□200	35	67
	MA						316	211	□220	35	67
EPB-180-□-□-38** (输入轴内径 ≤ φ38 Input shaft bore)	HA	286.5	181.5	□130	45	82	331	226	□130	45	82
	HB	281.5	176.5	□130	40	77	326	221	□130	40	77
	JA	286.5	181.5	□150	45	82	331	226	□150	45	82
	KA·KB·KC	286.5	181.5	□180	45	82	331	226	□180	45	82
	LA	286.5	181.5	□200	45	82	331	226	□200	45	82
	LB	296.5	191.5	□200	55	92	341	236	□200	55	92
	MA·MB	286.5	181.5	□220	45	82	331	226	□220	45	82
	NA	286.5	181.5	□250	45	82	331	226	□250	45	82
EPB-180-□-□-48** (输入轴内径 ≤ φ48 Input shaft bore)	KB·KC	302.5	197.5	□180	55	98	347	242	□180	55	98
	KA	322.5	217.5	□180	75	118	367	262	□180	75	118
	LA	302.5	197.5	□200	55	98	347	242	□200	55	98
	MA	302.5	197.5	□220	55	98	347	242	□220	55	98
	MB	322.5	217.5	□220	75	118	367	262	□220	75	118
	NA	322.5	217.5	□250	75	118	367	262	□250	75	118
EPB-180-□-□-65** (输入轴内径 ≤ φ65 Input shaft bore)	PA	322.5	217.5	□280	75	118	367	262	□280	75	118
	MA·MB·MC·MD	334	229	□220	80	122					
	NA	334	229	□250	80	122					
	PA	354	249	□280	100	142					
	PB	364	259	□280	110	152					
	QA	354	249	□320	100	142					

※ 1 1段减速: 1/3~1/10; 2段减速: 1/15~1/100
 ※ 2 马达轴径与输入轴径不同时, 可插入轴套。

※ 1 Single reduction: 1/3~1/10, Double reduction: 1/15~1/100
 ※ 2 Bushing will be inserted to adapt to motor shaft.



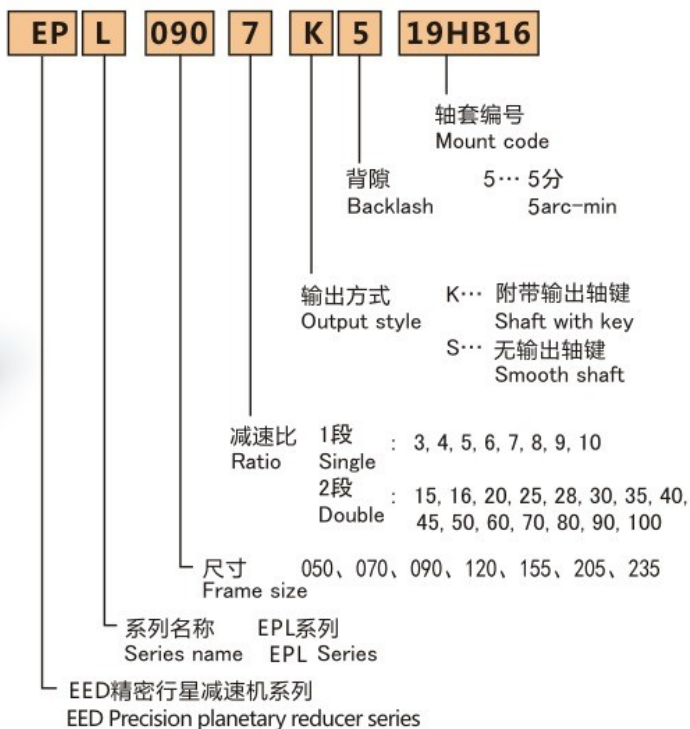
型号 Model number	**: 输入法兰编号 **: Input flange code	1段 Single					2段 Double				
		L1	L2	L3	L4	L5	L1	L2	L3	L4	L5
EPB-220-□-□-38** (输入轴内径 $\leq \phi 38$ Input shaft bore $\leq \phi 38$)	HA						366.5	228.5	□130	45	82
	HB						361.5	223.5	□130	40	77
	JA						366.5	228.5	□150	45	82
	KA·KB·KC						366.5	228.5	□180	45	82
	LA						366.5	228.5	□200	45	82
	LB						376.5	238.5	□200	55	92
	MA·MB						366.5	228.5	□220	45	82
NA						366.5	228.5	□250	45	82	
EPB-220-□-□-48** (输入轴内径 $\leq \phi 48$ Input shaft bore $\leq \phi 48$)	KB·KC	347.5	209.5	□180	55	98	382.5	244.5	□180	55	98
	KA	367.5	229.5	□180	75	118	402.5	264.5	□180	75	118
	LA	347.5	209.5	□200	55	98	382.5	244.5	□200	55	98
	MA	347.5	209.5	□220	55	98	382.5	244.5	□220	55	98
	MB	367.5	229.5	□220	75	118	402.5	264.5	□220	75	118
	NA	367.5	229.5	□250	75	118	402.5	264.5	□250	75	118
	PA	367.5	229.5	□280	75	118	402.5	264.5	□280	75	118
EPB-220-□-□-65** (输入轴内径 $\leq \phi 65$ Input shaft bore $\leq \phi 65$)	MA·MB·MC·MD	371.5	233.5	□220	80	122					
	NA	371.5	233.5	□250	80	122					
	PA	391.5	253.5	□280	100	142					
	PB	401.5	263.5	□280	110	152					
	QA	391.5	253.5	□320	100	142					

※ 1 1段减速: 1/3~1/10; 2段减速: 1/15~1/100
 ※ 2 马达轴径与输入轴径不同时, 可插入轴套。

※ 1 Single reduction: 1/3~1/10, Double reduction: 1/15~1/100
 ※ 2 Bushing will be inserted to adapt to motor shaft.

6、EPL Series

型号说明 Model Mark



静音

使用斜齿轮实现顺畅安静地运转。

Quiet operation

Helical gears contribute to reduce vibration and noise.

高精度

齿隙低于5分、定位精确。

High precision

Standard backlash is 5 arc-min, ideal for precision control.

高刚性、高扭矩

使用整体式滚珠轴承，大大提高了刚性和扭矩。

High rigidity & torque

High rigidity & higt torque were achived by uncaged needle roller bearings.

法兰、轴套方式

可以安装到世界上任何一台马达上。

Adapter-bushing connection

Can be attached to any motor all over the world.

无润滑脂泄漏

使用高粘度、不易分离的润滑脂，有效防止润滑脂泄漏。

No grease leakage

Perfect solution using high viscosity anti-separation grease.

维护方便

在产品寿命期内无需更换润滑脂，安装更便捷。

Maintenance-free

No need to replace the grease for the life of the unit.
Can be attached in any position.

尺寸 Frame size	段位 Stage	减速比 Ratio	※1	※2	※3	※4	※5	※6	※7
			容许 额定扭矩 Nominal output torque [Nm]	容许 最大扭矩 Maximum output torque [Nm]	紧急时 最大扭矩 Emergency stop torque [Nm]	容许额定 输入转速 Nominal input speed [rpm]	容许最高 输入转速 Maximum input speed [rpm]	容许 径向负荷 Permitted radial load [N]	容许 轴向负荷 Permitted axial load [N]
050	1段 Single	3	6	12	30	4000	8000	240	270
		4	9	18	35	4000	8000	270	300
		5	9	18	35	4000	8000	290	330
		6	9	18	35	4000	8000	310	360
		7	9	18	35	4000	8000	320	380
		8	9	18	35	4000	8000	340	410
		9	6	12	30	4000	8000	350	430
	2段 Double	10	6	12	30	4000	8000	360	450
		15	6	12	30	4000	8000	410	540
		16	9	18	35	4000	8000	420	550
		20	9	18	35	4000	8000	460	610
		25	9	18	35	4000	8000	490	640
		28	9	18	35	4000	8000	510	640
		30	6	12	30	4000	8000	520	640
		35	9	18	35	4000	8000	550	640
		40	9	18	35	4000	8000	570	640
		45	6	12	30	4000	8000	600	640
		50	9	18	35	4000	8000	620	640
		60	9	18	35	4000	8000	660	640
		70	9	18	35	4000	8000	690	640
80	9	18	35	4000	8000	710	640		
90	6	12	30	4000	8000	710	640		
100	6	12	30	4000	8000	710	640		

尺寸 Frame size	段位 Stage	减速比 Ratio	※8	※9	※10		
			容许最大 径向负荷 Maximum radial load [N]	容许最大 轴向负荷 Maximum axial load [N]	重量 Weight [kg]	惯性力矩 Moment of inertia ($\leq \phi 8$) [kgcm ²]	惯性力矩 Moment of inertia ($\leq \phi 14$) [kgcm ²]
050	1段 Single	3	710	640	0.7	0.053	0.091
		4	710	640		0.041	0.079
		5	710	640		0.036	0.074
		6	710	640		0.034	0.072
		7	710	640		0.032	0.071
		8	710	640		0.031	0.070
		9	710	640		0.031	0.069
	2段 Double	10	710	640	0.030	0.069	
		15	710	640	0.035	-	
		16	710	640	0.038	-	
		20	710	640	0.034	-	
		25	710	640	0.034	-	
		28	710	640	0.038	-	
		30	710	640	0.030	-	
		35	710	640	0.034	-	
		40	710	640	0.030	-	
		45	710	640	0.034	-	
		50	710	640	0.030	-	
		60	710	640	0.030	-	
		70	710	640	0.030	-	
80	710	640	0.030	-			
90	710	640	0.030	-			
100	710	640	0.030	-			

※ 1 输入转速为额定转速时，使用寿命为20000小时的值

※ 2 启动、停止时容许的最大值

※ 3 发生撞击时容许的最大值（频率最高为1000次）

※ 4 运转过程中，额定输入转速的容许最大值

※ 5 在非连续运转条件下容许的最高输入转速

※ 6 输入转速为额定转速时，使用寿命为20000小时的值
(作用于轴中央，轴向负荷为0时)

※ 7 输入转速为额定转速时，使用寿命为20000小时的值
(作用于轴芯，径向负荷为0时)

※ 8 径向负荷的容许最大值

※ 9 轴向负荷的容许最大值

※10 因减速比和输入轴尺寸的不同而有所不同。

※ 1 With nominal input speed, service life is 20,000 hours.

※ 2 The maximum torque when starting and stopping.

※ 3 The maximum torque when it receives shock (up to 1,000 times)

※ 4 The maximum average input speed.

※ 5 The maximum momentary input speed.

※ 6 With this load and nominal input speed, service life will be 20,000 hours
(Applied to the output shaft center, at axial load 0)

※ 7 With this load and nominal input speed, service life will be 20,000 hours
(Applied to the output side bearing, at radial load 0)

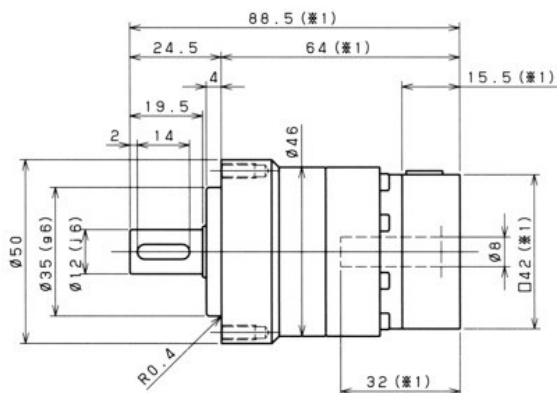
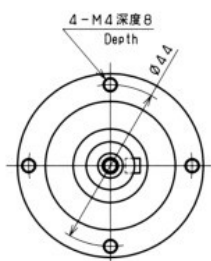
※ 8 The maximum radial load the reducer can accept.

※ 9 The maximum axial load the reducer can accept.

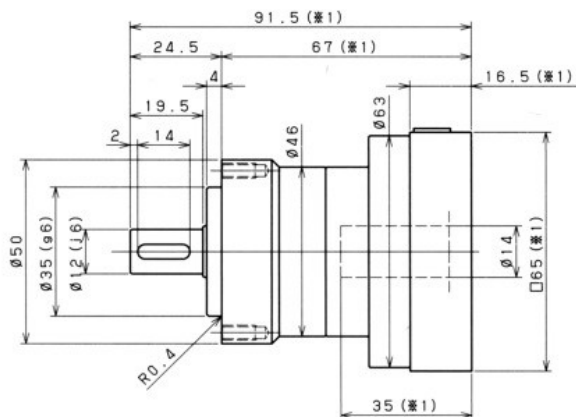
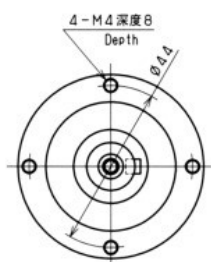
※ 10 The weight may vary slightly model to model.

EPL-050 1段 1stage

输入轴内径 Input shaft bore $\leq \phi 8$

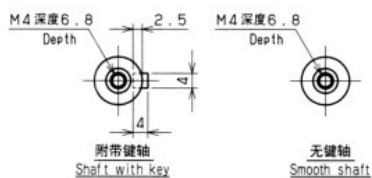
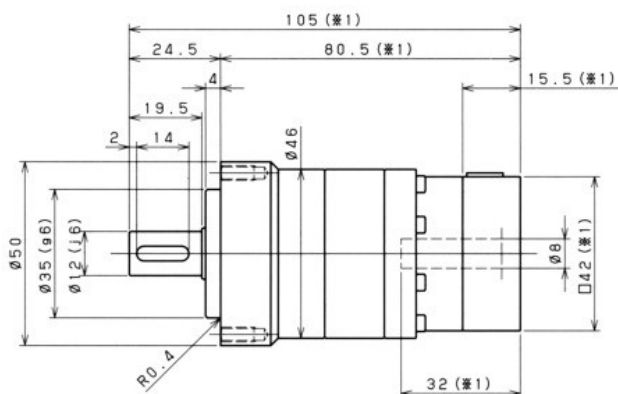
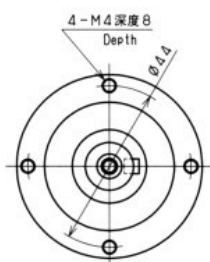


输入轴内径 Input shaft bore $\leq \phi 14$



EPL-050 2段 2stage

输入轴内径 Input shaft bore $\leq \phi 8$



- ※ 1 随安装马达的不同而有所差异。
- ※ 2 马达轴径与输入轴径不同时，可插入轴套。
- ※ 1 Length will vary depending on motor.
- ※ 2 Bushing will be inserted to adapt to motor shaft.

尺寸 Frame size	段位 Stage	减速比 Ratio	※1	※2	※3	※4	※5	※6	※7	
			容许 额定扭矩 Nominal output torque	容许 最大扭矩 Maximum output torque	紧急时 最大扭矩 Emergency stop torque	容许额定 输入转速 Nominal input speed	容许最高 输入转速 Maximum input speed	容许 径向负荷 Permitted radial load	容许 轴向负荷 Permitted axial load	
			[Nm]	[Nm]	[Nm]	[rpm]	[rpm]	[N]	[N]	
070	1段 Single	3	18	35	80	3000	6000	430	310	
		4	27	50	100	3000	6000	470	360	
		5	27	50	100	3000	6000	510	390	
		6	27	50	100	3000	6000	540	430	
		7	27	50	100	3000	6000	570	460	
		8	27	50	100	3000	6000	600	480	
		9	18	35	80	3000	6000	620	510	
		10	18	35	80	3000	6000	640	530	
		2段 Double	15	18	35	80	3000	6000	740	630
			16	27	50	100	3000	6000	750	650
	20		27	50	100	3000	6000	810	720	
	25		27	50	100	3000	6000	870	790	
	28		27	50	100	3000	6000	910	830	
	30		18	35	80	3000	6000	930	860	
	35		27	50	100	3000	6000	980	920	
	40		27	50	100	3000	6000	1000	970	
	45		18	35	80	3000	6000	1100	1000	
	50		27	50	100	3000	6000	1100	1100	
	60	27	50	100	3000	6000	1200	1100		
	70	27	50	100	3000	6000	1200	1100		
80	27	50	100	3000	6000	1200	1100			
90	18	35	80	3000	6000	1200	1100			
100	18	35	80	3000	6000	1200	1100			

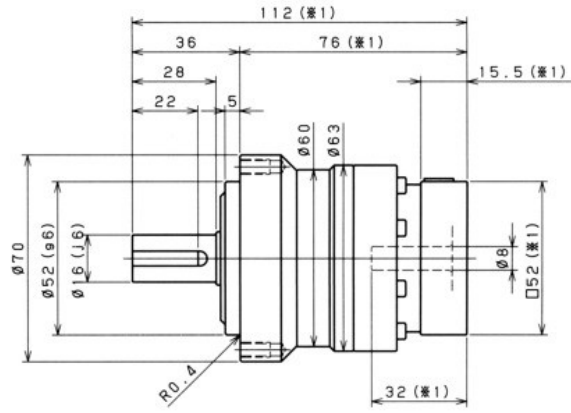
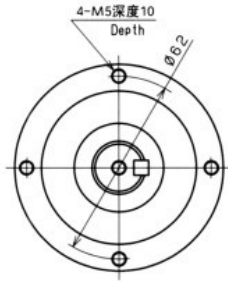
尺寸 Frame size	段位 Stage	减速比 Ratio	※8						※9			※10		
			容许最大 径向负荷 Maximum radial load		容许最大 轴向负荷 Maximum axial load		重量 Weight	惯性力矩 Moment of inertia ($\leq \phi 8$)		惯性力矩 Moment of inertia ($\leq \phi 14$)		惯性力矩 Moment of inertia ($\leq \phi 19$)		
			[N]	[N]	[kg]	[kgcm ²]		[kgcm ²]	[kgcm ²]					
070	1段 Single	3	1200	1100	1.5	0.14	0.22	0.43						
		4	1200	1100		0.095	0.17	0.38						
		5	1200	1100		0.077	0.16	0.36						
		6	1200	1100		0.068	0.15	0.36						
		7	1200	1100		0.062	0.14	0.35						
		8	1200	1100		0.059	0.14	0.35						
		9	1200	1100		0.057	0.14	0.34						
		10	1200	1100		0.056	0.14	0.34						
		2段 Double	15	1200		1100	1.7	0.055	0.14	-				
			16	1200		1100		0.057	0.14	-				
	20		1200	1100	0.054	0.13		-						
	25		1200	1100	0.053	0.13		-						
	28		1200	1100	0.055	0.14		-						
	30		1200	1100	0.049	0.13		-						
	35		1200	1100	0.053	0.13		-						
	40		1200	1100	0.049	0.13		-						
	45		1200	1100	0.053	0.13		-						
	50		1200	1100	0.049	0.13		-						
	60	1200	1100	0.049	0.13	-								
	70	1200	1100	0.049	0.13	-								
80	1200	1100	0.049	0.13	-									
90	1200	1100	0.049	0.13	-									
100	1200	1100	0.049	0.13	-									

- ※1 输入转速为额定转速时，使用寿命为20000小时的值
 ※2 启动、停止时容许的最大值
 ※3 发生撞击时容许的最大值（频率最高为1000次）
 ※4 运转过程中，额定输入转速的容许最大值
 ※5 在非连续运转条件下容许的最高输入转速
 ※6 输入转速为额定转速时，使用寿命为20000小时的值（作用于轴中央，轴向负荷为0时）
 ※7 输入转速为额定转速时，使用寿命为20000小时的值（作用于轴芯，径向负荷为0时）
 ※8 径向负荷的容许最大值
 ※9 轴向负荷的容许最大值
 ※10 因减速比和输入轴尺寸的不同而有所不同。

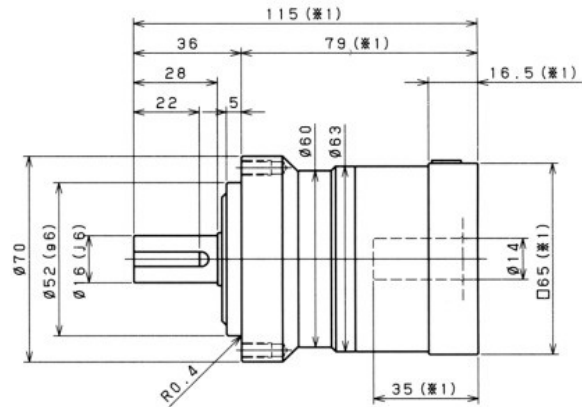
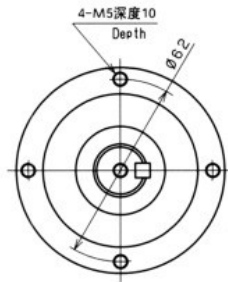
- ※1 With nominal input speed, service life is 20,000 hours.
 ※2 The maximum torque when starting and stopping.
 ※3 The maximum torque when it receives shock (up to 1,000 times)
 ※4 The maximum average input speed.
 ※5 The maximum momentary input speed.
 ※6 With this load and nominal input speed, service life will be 20,000 hours (Applied to the output shaft center, at axial load 0)
 ※7 With this load and nominal input speed, service life will be 20,000 hours (Applied to the output side bearing, at radial load 0)
 ※8 The maximum radial load the reducer can accept.
 ※9 The maximum axial load the reducer can accept.
 ※10 The weight may vary slightly model to model.

EPL-070 1段 1stage

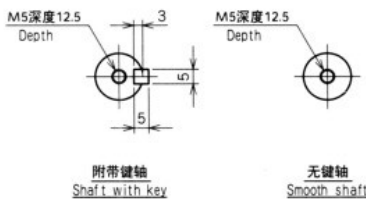
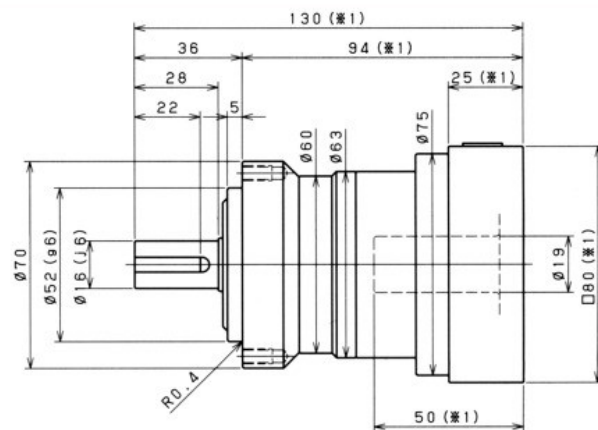
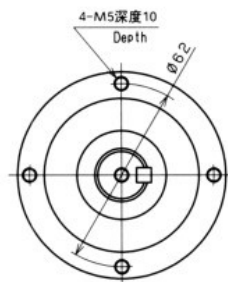
输入轴内径 Input shaft bore $\leq \phi 8$



输入轴内径 Input shaft bore $\leq \phi 14$



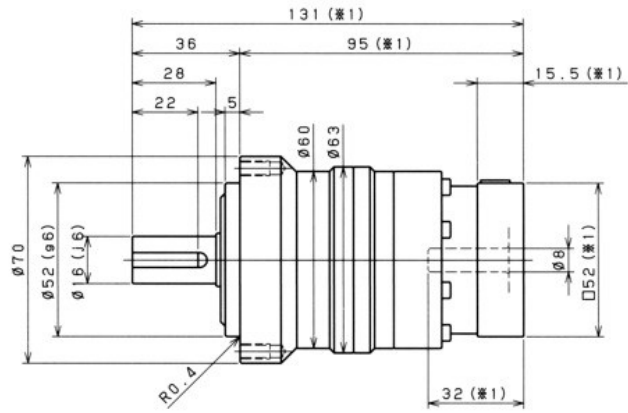
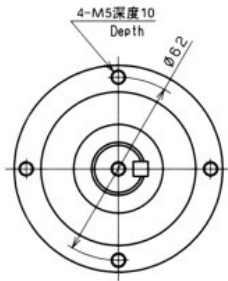
输入轴内径 Input shaft bore $\leq \phi 19$



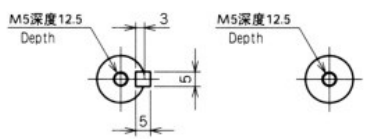
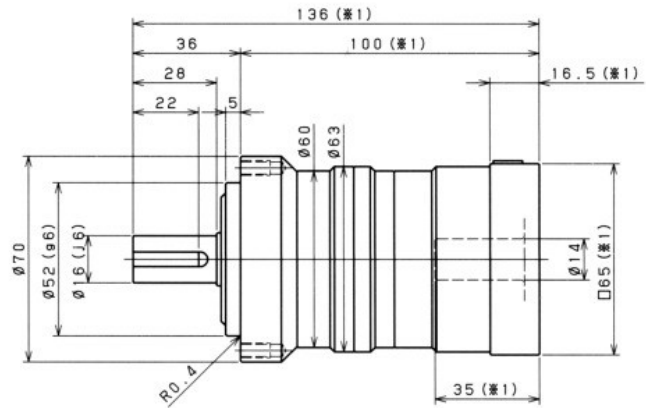
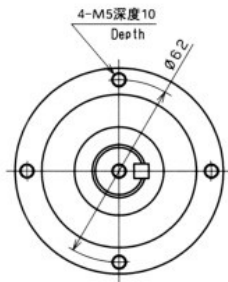
- ※ 1 随安装马达的不同而有所差异。
- ※ 2 马达轴径与输入轴径不同时，可插入轴套。
- ※ 1 Length will vary depending on motor.
- ※ 2 Bushing will be inserted to adapt to motor shaft.

EPL-070 2段 2stage

输入轴内径 Input shaft bore $\leq \phi 8$



输入轴内径 Input shaft bore $\leq \phi 14$



附带键轴
Shaft with key

无键轴
Smooth shaft

- ※ 1 随安装马达的不同而有所差异。
- ※ 2 马达轴径与输入轴径不同时，可插入轴套。
- ※ 1 Length will vary depending on motor.
- ※ 2 Bushing will be inserted to adapt to motor shaft.

尺寸 Frame size	段位 Stage	减速比 Ratio	※1	※2	※3	※4	※5	※6	※7	
			容许 额定扭矩 Nominal output torque	容许 最大扭矩 Maximum output torque	紧急时 最大扭矩 Emergency stop torque	容许额定 输入转速 Nominal input speed	容许最高 输入转速 Maximum input speed	容许 径向负荷 Permitted radial load	容许 轴向负荷 Permitted axial load	
			[Nm]	[Nm]	[Nm]	[rpm]	[rpm]	[N]	[N]	
090	1段 Single	3	50	80	200	3000	6000	810	930	
		4	75	125	250	3000	6000	890	1100	
		5	75	125	250	3000	6000	960	1200	
		6	75	125	250	3000	6000	1000	1300	
		7	75	125	250	3000	6000	1100	1300	
		8	75	125	250	3000	6000	1100	1400	
		9	50	80	200	3000	6000	1200	1500	
		10	50	80	200	3000	6000	1200	1600	
		2段 Double	15	50	80	200	3000	6000	1400	1900
			16	75	125	250	3000	6000	1400	1900
	20		75	125	250	3000	6000	1500	2100	
	25		75	125	250	3000	6000	1600	2200	
	28		75	125	250	3000	6000	1700	2200	
	30		50	80	200	3000	6000	1700	2200	
	35		75	125	250	3000	6000	1800	2200	
	40		75	125	250	3000	6000	1900	2200	
	45		50	80	200	3000	6000	2000	2200	
	50		75	125	250	3000	6000	2100	2200	
	60	75	125	250	3000	6000	2200	2200		
	70	75	125	250	3000	6000	2300	2200		
80	75	125	250	3000	6000	2400	2200			
90	50	80	200	3000	6000	2400	2200			
100	50	80	200	3000	6000	2400	2200			

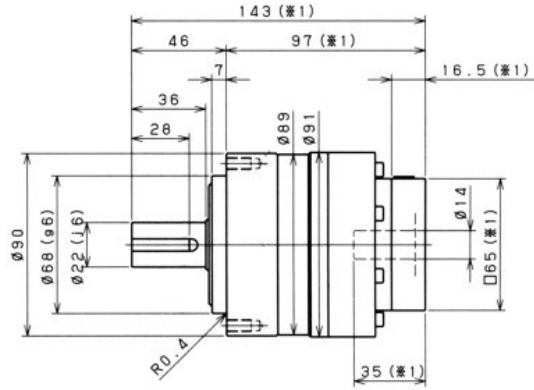
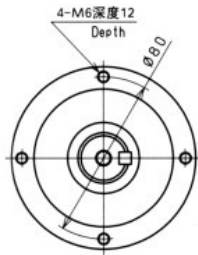
尺寸 Frame size	段位 Stage	减速比 Ratio	※8	※9	※10	惯性力矩 Moment of inertia ($\leq \phi 8$)	惯性力矩 Moment of inertia ($\leq \phi 14$)	惯性力矩 Moment of inertia ($\leq \phi 19$)	惯性力矩 Moment of inertia ($\leq \phi 28$)		
			容许最大 径向负荷 Maximum radial load	容许最大 轴向负荷 Maximum axial load	重量 Weight	[kgcm ²]	[kgcm ²]	[kgcm ²]	[kgcm ²]		
			[N]	[N]	[kg]	[kgcm ²]	[kgcm ²]	[kgcm ²]	[kgcm ²]		
090	1段 Single	3	2400	2200	3.5	-	0.72	1.2	3.2		
		4	2400	2200		-	0.49	0.95	3.0		
		5	2400	2200		-	0.40	0.86	2.9		
		6	2400	2200		-	0.36	0.82	2.8		
		7	2400	2200		-	0.32	0.79	2.8		
		8	2400	2200		-	0.31	0.77	2.8		
		9	2400	2200		-	0.29	0.76	2.8		
		10	2400	2200		-	0.29	0.75	2.8		
		2段 Double	15	2400		2200	4	0.13	0.28	0.72	-
			16	2400		2200		0.15	0.30	0.74	-
	20		2400	2200	0.13	0.28		0.72	-		
	25		2400	2200	0.12	0.28		0.71	-		
	28		2400	2200	0.14	0.29		0.73	-		
	30		2400	2200	0.10	0.25		0.70	-		
	35		2400	2200	0.12	0.27		0.71	-		
	40		2400	2200	0.099	0.25		0.70	-		
	45		2400	2200	0.12	0.27		0.71	-		
	50		2400	2200	0.098	0.25		0.69	-		
	60	2400	2200	0.098	0.25	0.69	-				
	70	2400	2200	0.097	0.25	0.69	-				
80	2400	2200	0.097	0.25	0.69	-					
90	2400	2200	0.097	0.25	0.69	-					
100	2400	2200	0.097	0.25	0.69	-					

- ※1 输入转速为额定转速时,使用寿命为20000小时的值
 ※2 启动、停止时容许的最大值
 ※3 发生撞击时容许的最大值(频率最高为1000次)
 ※4 运转过程中,额定输入转速的容许最大值
 ※5 在非连续运转条件下容许的最高输入转速
 ※6 输入转速为额定转速时,使用寿命为20000小时的值(作用于轴中央,轴向负荷为0时)
 ※7 输入转速为额定转速时,使用寿命为20000小时的值(作用于轴芯,径向负荷为0时)
 ※8 径向负荷的容许最大值
 ※9 轴向负荷的容许最大值
 ※10 因减速比和输入轴尺寸的不同而有所不同。

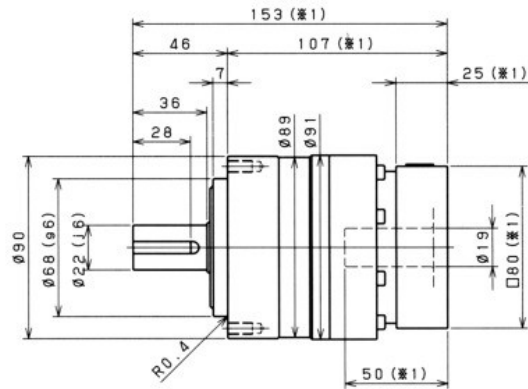
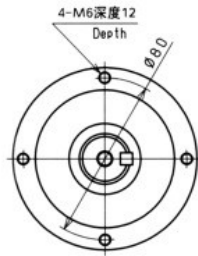
- ※1 With nominal input speed, service life is 20,000 hours.
 ※2 The maximum torque when starting and stopping.
 ※3 The maximum torque when it receives shock (up to 1,000 times)
 ※4 The maximum average input speed.
 ※5 The maximum momentary input speed.
 ※6 With this load and nominal input speed, service life will be 20,000 hours (Applied to the output shaft center, at axial load 0)
 ※7 With this load and nominal input speed, service life will be 20,000 hours (Applied to the output side bearing, at radial load 0)
 ※8 The maximum radial load the reducer can accept.
 ※9 The maximum axial load the reducer can accept.
 ※10 The weight may vary slightly model to model.

EPL-090 1段 1stage

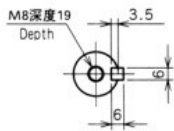
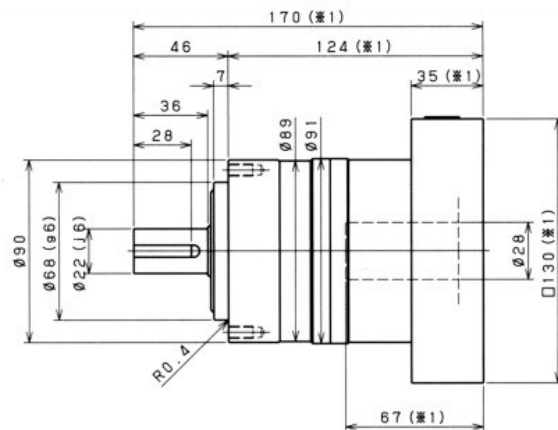
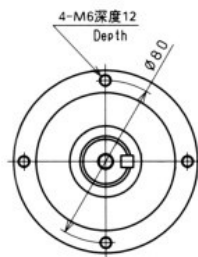
输入轴内径 Input shaft bore $\leq \phi 14$



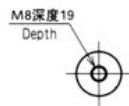
输入轴内径 Input shaft bore $\leq \phi 19$



输入轴内径 Input shaft bore $\leq \phi 28$



附带键轴
Shaft with key

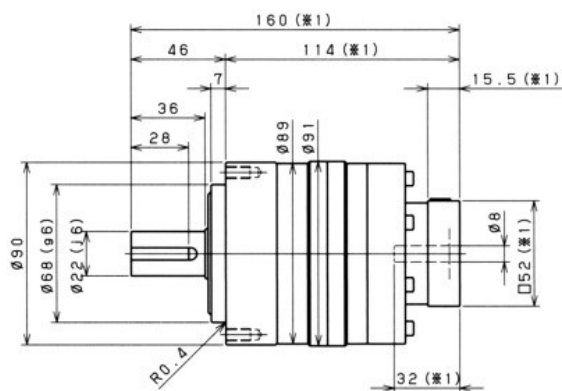
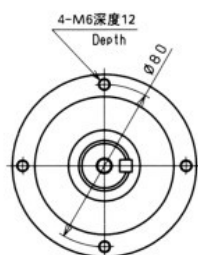


无键轴
Smooth shaft

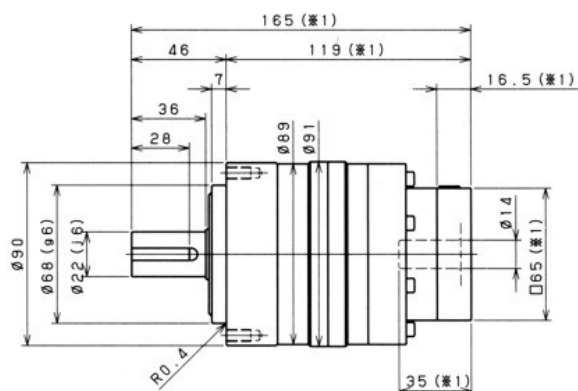
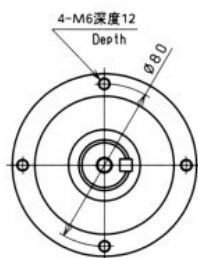
- ※ 1 随安装马达的不同而有所差异。
- ※ 2 马达轴径与输入轴径不同时，可插入轴套。
- ※ 1 Length will vary depending on motor.
- ※ 2 Bushing will be inserted to adapt to motor shaft.

EPL-090 2段 2stage

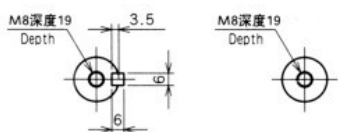
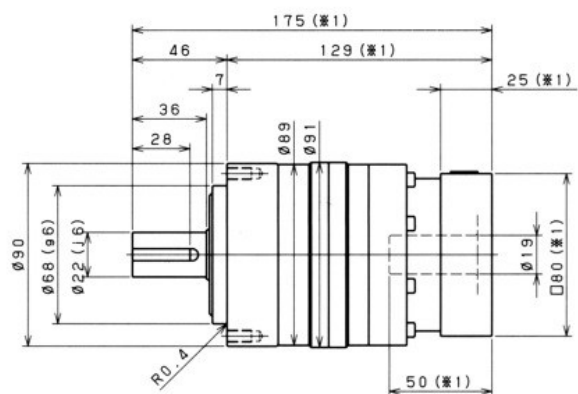
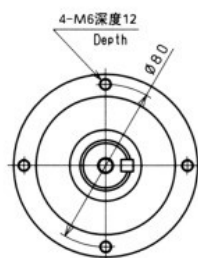
输入轴内径 Input shaft bore $\leq \phi 8$



输入轴内径 Input shaft bore $\leq \phi 14$



输入轴内径 Input shaft bore $\leq \phi 19$



附带键轴
Shaft with key

无键轴
Smooth shaft

- ※ 1 随安装马达的不同而有所差异。
- ※ 2 马达轴径与输入轴径不同时，可插入轴套。
- ※ 1 Length will vary depending on motor.
- ※ 2 Bushing will be inserted to adapt to motor shaft.

尺寸 Frame size	段位 Stage	减速比 Ratio	※1	※2	※3	※4	※5	※6	※7	
			容许 额定扭矩 Nominal output torque [Nm]	容许 最大扭矩 Maximum output torque [Nm]	紧急时 最大扭矩 Emergency stop torque [Nm]	容许额定 输入转速 Nominal input speed [rpm]	容许最高 输入转速 Maximum input speed [rpm]	容许 径向负荷 Permitted radial load [N]	容许 轴向负荷 Permitted axial load [N]	
120	1段 Single	3	120	225	500	3000	6000	1300	1500	
		4	120	330	625	3000	6000	1500	1700	
		5	180	330	625	3000	6000	1600	1900	
		6	180	330	625	3000	6000	1700	2000	
		7	180	330	625	3000	6000	1800	2100	
		8	180	330	625	3000	6000	1900	2300	
		9	120	225	500	3000	6000	1900	2400	
		10	120	225	500	3000	6000	2000	2500	
		2段 Double	15	120	225	500	3000	6000	2300	3000
			16	180	330	625	3000	6000	2300	3100
	20		180	330	625	3000	6000	2500	3400	
	25		180	330	625	3000	6000	2700	3700	
	28		180	330	625	3000	6000	2800	3900	
	30		120	225	500	3000	6000	2900	3900	
	35		180	330	625	3000	6000	3000	3900	
	40		180	330	625	3000	6000	3200	3900	
	45		120	225	500	3000	6000	3300	3900	
	50		180	330	625	3000	6000	3400	3900	
	60	180	330	625	3000	6000	3600	3900		
	70	180	330	625	3000	6000	3800	3900		
80	180	330	625	3000	6000	4000	3900			
90	120	225	500	3000	6000	4200	3900			
100	120	225	500	3000	6000	4300	3900			

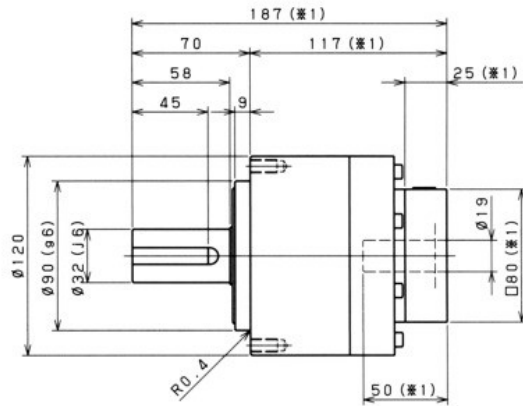
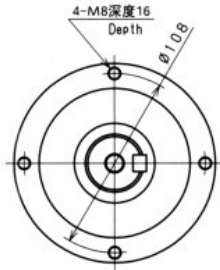
尺寸 Frame size	段位 Stage	减速比 Ratio	※8	※9	※10	惯性力矩 Moment of inertia ($\leq \phi 14$)	惯性力矩 Moment of inertia ($\leq \phi 19$)	惯性力矩 Moment of inertia ($\leq \phi 28$)	惯性力矩 Moment of inertia ($\leq \phi 38$)		
			容许最大 径向负荷 Maximum radial load [N]	容许最大 轴向负荷 Maximum axial load [N]	重量 Weight [kg]	[kgcm ²]	[kgcm ²]	[kgcm ²]	[kgcm ²]		
120	1段 Single	3	4300	3900	7.8	-	3.3	5.3	13		
		4	4300	3900		-	2.0	4.1	12		
		5	4300	3900		-	1.6	3.6	11		
		6	4300	3900		-	1.3	3.3	11		
		7	4300	3900		-	1.1	3.2	11		
		8	4300	3900		-	1.0	3.1	11		
		9	4300	3900		-	0.98	3.0	11		
		10	4300	3900		-	0.95	3.0	11		
		2段 Double	15	4300		3900	8.7	0.43	0.86	2.8	-
			16	4300		3900		0.48	0.92	2.9	-
	20		4300	3900	0.40	0.83		2.8	-		
	25		4300	3900	0.38	0.82		2.8	-		
	28		4300	3900	0.44	0.88		2.8	-		
	30		4300	3900	0.29	0.74		2.7	-		
	35		4300	3900	0.37	0.81		2.7	-		
	40		4300	3900	0.28	0.73		2.7	-		
	45		4300	3900	0.37	0.80		2.7	-		
	50		4300	3900	0.28	0.73		2.7	-		
	60	4300	3900	0.28	0.73	2.7	-				
	70	4300	3900	0.28	0.73	2.7	-				
80	4300	3900	0.28	0.73	2.7	-					
90	4300	3900	0.27	0.73	2.7	-					
100	4300	3900	0.27	0.73	2.7	-					

- ※1 输入转速为额定转速时，使用寿命为20000小时的值
 ※2 启动、停止时容许的最大值
 ※3 发生撞击时容许的最大值（频率最高为1000次）
 ※4 运转过程中，额定输入转速的容许最大值
 ※5 在非连续运转条件下容许的最高输入转速
 ※6 输入转速为额定转速时，使用寿命为20000小时的值（作用于轴中央，轴向负荷为0时）
 ※7 输入转速为额定转速时，使用寿命为20000小时的值（作用于轴芯，径向负荷为0时）
 ※8 径向负荷的容许最大值
 ※9 轴向负荷的容许最大值
 ※10 因减速比和输入轴尺寸的不同而有所不同。

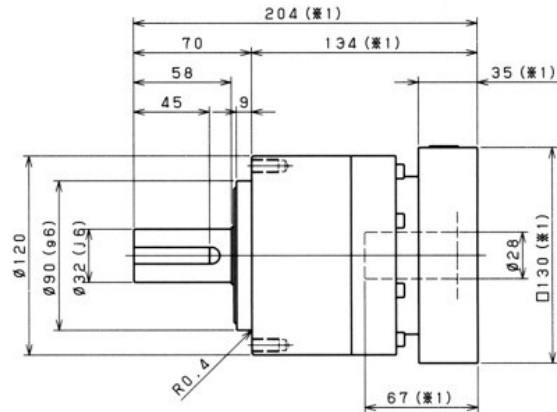
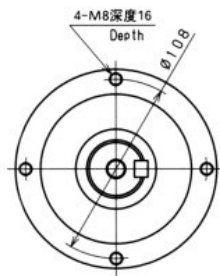
- ※1 With nominal input speed, service life is 20,000 hours.
 ※2 The maximum torque when starting and stopping.
 ※3 The maximum torque when it receives shock (up to 1,000 times)
 ※4 The maximum average input speed.
 ※5 The maximum momentary input speed.
 ※6 With this load and nominal input speed, service life will be 20,000 hours (Applied to the output shaft center, at axial load 0)
 ※7 With this load and nominal input speed, service life will be 20,000 hours (Applied to the output side bearing, at radial load 0)
 ※8 The maximum radial load the reducer can accept.
 ※9 The maximum axial load the reducer can accept.
 ※10 The weight may vary slightly model to model.

EPL-120 1段 1stage

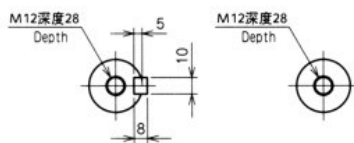
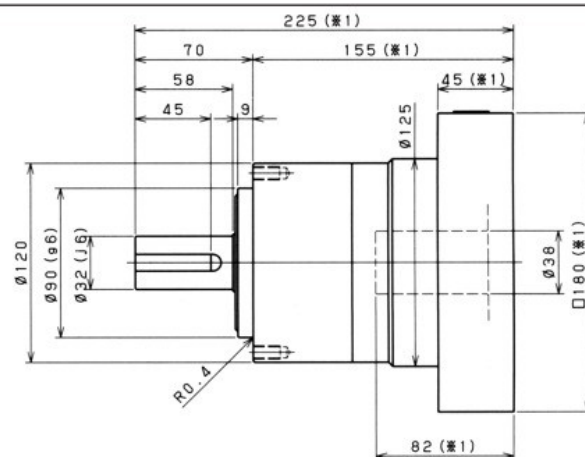
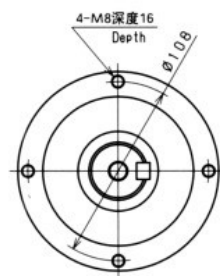
输入轴内径 Input shaft bore $\leq \phi 19$



输入轴内径 Input shaft bore $\leq \phi 28$



输入轴内径 Input shaft bore $\leq \phi 38$



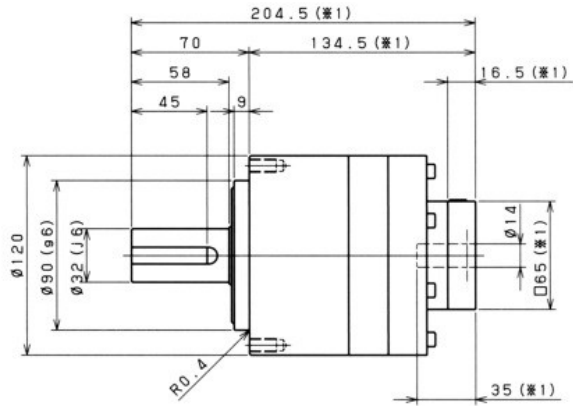
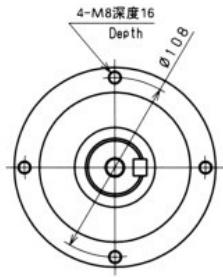
附带键轴
Shaft with key

无键轴
Smooth shaft

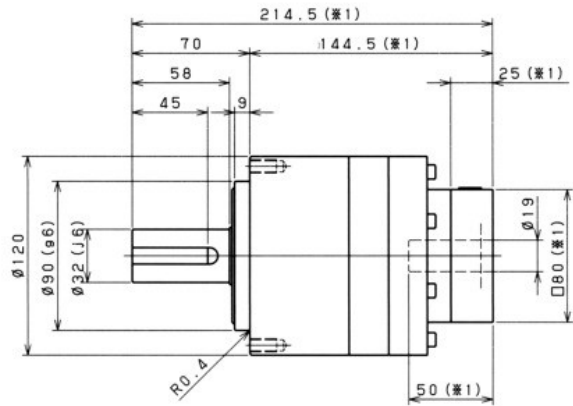
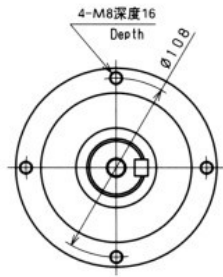
- ※ 1 随安装马达的不同而有所差异。
- ※ 2 马达轴径与输入轴径不同时，可插入轴套。
- ※ 1 Length will vary depending on motor.
- ※ 2 Bushing will be inserted to adapt to motor shaft.

EPL-120 2段 2stage

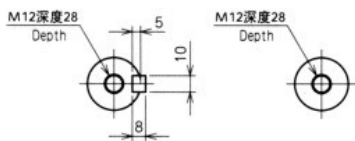
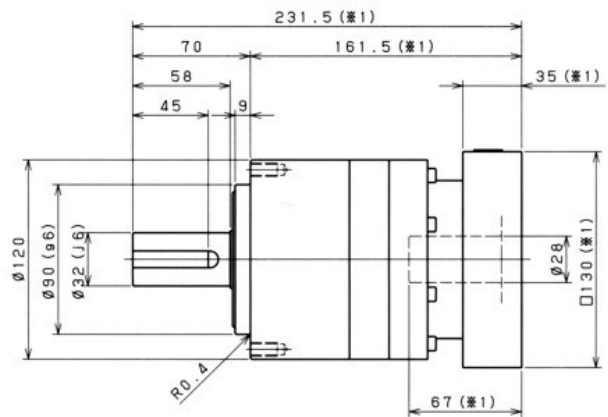
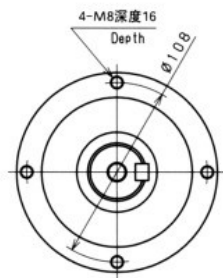
输入轴内径 Input shaft bore $\leq \phi 14$



输入轴内径 Input shaft bore $\leq \phi 19$



输入轴内径 Input shaft bore $\leq \phi 28$



附带键轴
Shaft with key

无键轴
Smooth shaft

- ※ 1 随安装马达的不同而有所差异。
- ※ 2 马达轴径与输入轴径不同时，可插入轴套。
- ※ 1 Length will vary depending on motor.
- ※ 2 Bushing will be inserted to adapt to motor shaft.

尺寸 Frame size	段位 Stage	减速比 Ratio	※1	※2	※3	※4	※5	※6	※7	
			容许 额定扭矩 Nominal output torque [Nm]	容许 最大扭矩 Maximum output torque [Nm]	紧急时 最大扭矩 Emergency stop torque [Nm]	容许额定 输入转速 Nominal input speed [rpm]	容许最高 输入转速 Maximum input speed [rpm]	容许 径向负荷 Permitted radial load [N]	容许 轴向负荷 Permitted axial load [N]	
155	1段 Single	3	240	470	1000	2000	4000	3200	2400	
		4	240	700	1250	2000	4000	3500	2700	
		5	360	700	1250	2000	4000	3800	3000	
		6	360	700	1250	2000	4000	4000	3300	
		7	360	700	1250	2000	4000	4200	3500	
		8	360	700	1250	2000	4000	4400	3700	
		9	240	470	1000	2000	4000	4600	3900	
		10	240	470	1000	2000	4000	4700	4100	
		2段 Double	15	240	470	1000	2000	4000	5400	4900
			16	360	700	1250	2000	4000	5500	5000
	20		360	700	1250	2000	4000	6000	5500	
	25		360	700	1250	2000	4000	6400	6100	
	28		360	700	1250	2000	4000	6700	6400	
	30		240	470	1000	2000	4000	6800	6600	
	35		360	700	1250	2000	4000	7200	7000	
	40		360	700	1250	2000	4000	7500	7500	
	45		240	470	1000	2000	4000	7800	7900	
	50		360	700	1250	2000	4000	8100	8200	
	60	360	700	1250	2000	4000	8600	8200		
	70	360	700	1250	2000	4000	9100	8200		
80	360	700	1250	2000	4000	9100	8200			
90	240	470	1000	2000	4000	9100	8200			
100	240	470	1000	2000	4000	9100	8200			

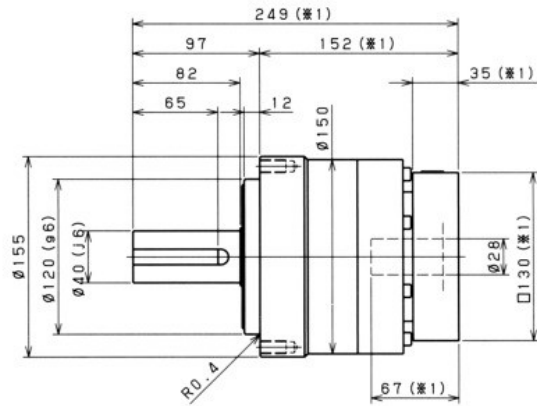
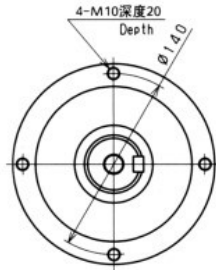
尺寸 Frame size	段位 Stage	减速比 Ratio	※8	※9	※10	惯性力矩 Moment of inertia (≤ φ19) [kgcm ²]	惯性力矩 Moment of inertia (≤ φ28) [kgcm ²]	惯性力矩 Moment of inertia (≤ φ38) [kgcm ²]	惯性力矩 Moment of inertia (≤ φ48) [kgcm ²]		
			容许最大 径向负荷 Maximum radial load [N]	容许最大 轴向负荷 Maximum axial load [N]	重量 Weight [kg]						
155	1段 Single	3	9100	8200	16	-	12	20	42		
		4	9100	8200		-	7.5	15	37		
		5	9100	8200		-	5.8	14	36		
		6	9100	8200		-	4.9	13	35		
		7	9100	8200		-	4.1	12	34		
		8	9100	8200		-	3.8	12	34		
		9	9100	8200		-	3.6	11	34		
		10	9100	8200		-	3.5	11	34		
		2段 Double	15	9100		8200	18	1.3	3.2	11	-
			16	9100		8200		1.5	3.5	11	-
	20		9100	8200	1.2	3.1		11	-		
	25		9100	8200	1.1	3.1		11	-		
	28		9100	8200	1.4	3.3		11	-		
	30		9100	8200	0.85	2.8		10	-		
	35		9100	8200	1.1	3.1		11	-		
	40		9100	8200	0.83	2.8		10	-		
	45		9100	8200	1.1	3.0		11	-		
	50		9100	8200	0.81	2.8		10	-		
	60	9100	8200	0.81	2.8	10	-				
	70	9100	8200	0.80	2.8	10	-				
80	9100	8200	0.80	2.8	10	-					
90	9100	8200	0.80	2.8	10	-					
100	9100	8200	0.80	2.8	10	-					

- ※ 1 输入转速为额定转速时，使用寿命为20000小时的值
- ※ 2 启动、停止时容许的最大值
- ※ 3 发生撞击时容许的最大值（频率最高为1000次）
- ※ 4 运转过程中，额定输入转速的容许最大值
- ※ 5 在非连续运转条件下容许的最高输入转速
- ※ 6 输入转速为额定转速时，使用寿命为20000小时的值（作用于轴中央，轴向负荷为0时）
- ※ 7 输入转速为额定转速时，使用寿命为20000小时的值（作用于轴芯，径向负荷为0时）
- ※ 8 径向负荷的容许最大值
- ※ 9 轴向负荷的容许最大值
- ※ 10 因减速比和输入轴尺寸的不同而有所不同。

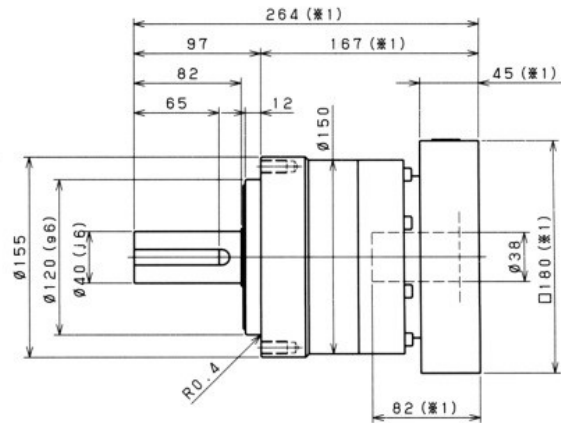
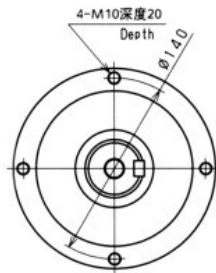
- ※ 1 With nominal input speed, service life is 20,000 hours.
- ※ 2 The maximum torque when starting and stopping.
- ※ 3 The maximum torque when it receives shock (up to 1,000 times)
- ※ 4 The maximum average input speed.
- ※ 5 The maximum momentary input speed.
- ※ 6 With this load and nominal input speed, service life will be 20,000 hours (Applied to the output shaft center, at axial load 0)
- ※ 7 With this load and nominal input speed, service life will be 20,000 hours (Applied to the output side bearing, at radial load 0)
- ※ 8 The maximum radial load the reducer can accept.
- ※ 9 The maximum axial load the reducer can accept.
- ※ 10 The weight may vary slightly model to model.

EPL-155 1段 1stage

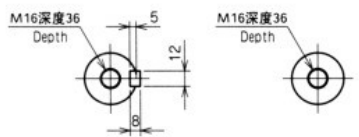
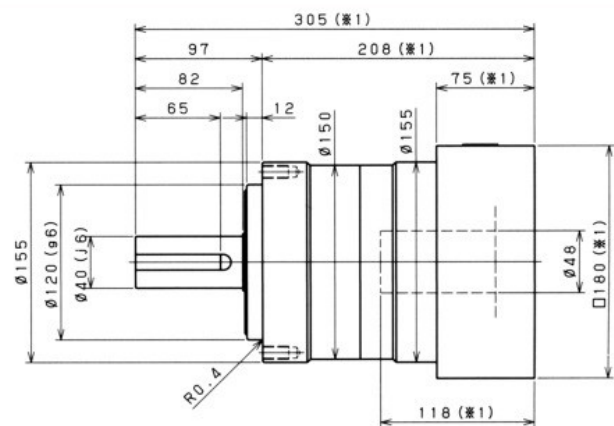
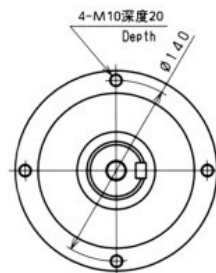
输入轴内径 Input shaft bore $\leq \phi 28$



输入轴内径 Input shaft bore $\leq \phi 38$



输入轴内径 Input shaft bore $\leq \phi 48$



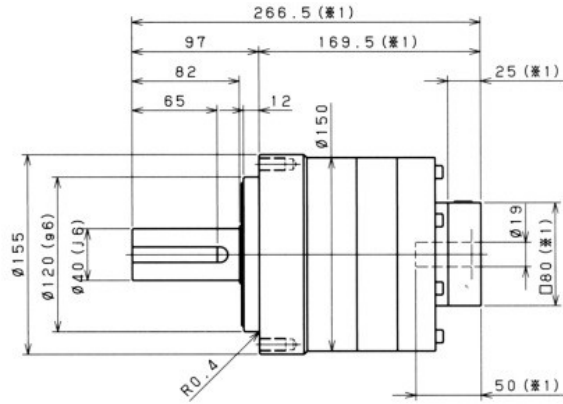
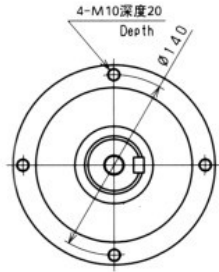
附带键轴
Shaft with key

无键轴
Smooth shaft

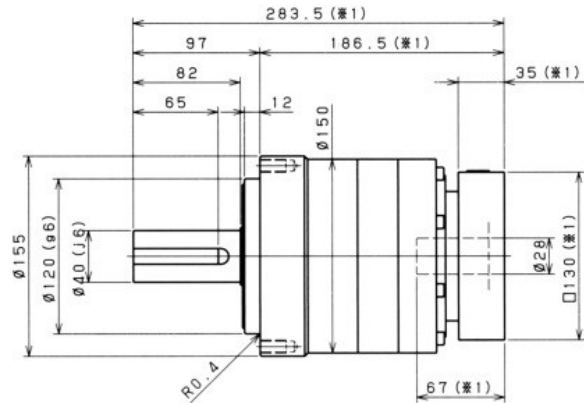
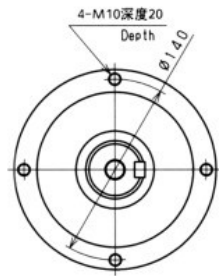
- ※ 1 随安装马达的不同而有所差异。
- ※ 2 马达轴径与输入轴径不同时，可插入轴套。
- ※ 1 Length will vary depending on motor.
- ※ 2 Bushing will be inserted to adapt to motor shaft.

EPL-155 2段 2stage

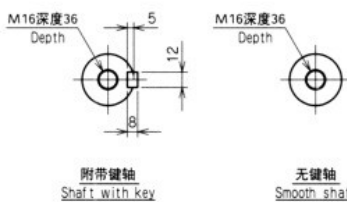
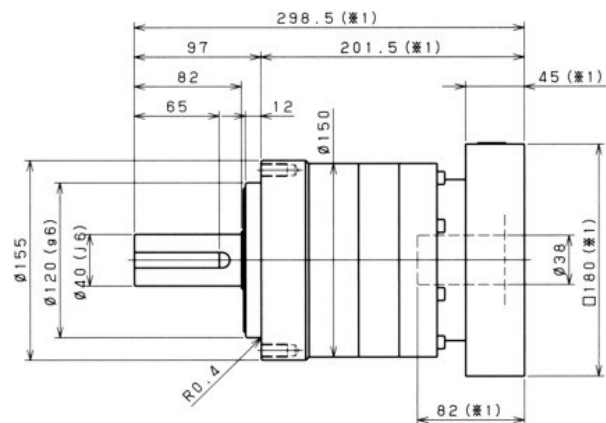
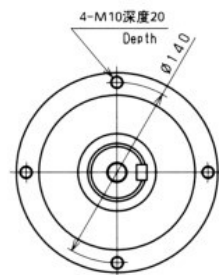
输入轴内径 Input shaft bore $\leq \phi 19$



输入轴内径 Input shaft bore $\leq \phi 28$



输入轴内径 Input shaft bore $\leq \phi 38$



- ※ 1 随安装马达的不同而有所差异。
- ※ 2 马达轴径与输入轴径不同时，可插入轴套。
- ※ 1 Length will vary depending on motor.
- ※ 2 Bushing will be inserted to adapt to motor shaft.

尺寸 Frame size	段位 Stage	减速比 Ratio	※1	※2	※3	※4	※5	※6	※7	
			容许 额定扭矩 Nominal output torque [Nm]	容许 最大扭矩 Maximum output torque [Nm]	紧急时 最大扭矩 Emergency stop torque [Nm]	容许额定 输入转速 Nominal input speed [rpm]	容许最高 输入转速 Maximum input speed [rpm]	容许 径向负荷 Permitted radial load [N]	容许 轴向负荷 Permitted axial load [N]	
205	1段 Single	3	500	970	2200	1500	3000	5600	4300	
		4	750	1400	2750	1500	3000	6200	4900	
		5	750	1400	2750	1500	3000	6700	5400	
		6	750	1400	2750	1500	3000	7100	5800	
		7	750	1400	2750	1500	3000	7400	6300	
		8	750	1400	2750	1500	3000	7800	6600	
		9	500	970	2200	1500	3000	8100	7000	
		10	500	970	2200	1500	3000	8400	7300	
		2段 Double	15	500	970	2200	1500	3000	9600	8700
			16	750	1400	2750	1500	3000	9800	8900
	20		750	1400	2750	1500	3000	11000	9900	
	25		750	1400	2750	1500	3000	11000	11000	
	28		750	1400	2750	1500	3000	12000	11000	
	30		500	970	2200	1500	3000	12000	12000	
	35		750	1400	2750	1500	3000	13000	13000	
	40		750	1400	2750	1500	3000	13000	13000	
	45		500	970	2200	1500	3000	14000	14000	
	50		750	1400	2750	1500	3000	14000	14000	
	60	750	1400	2750	1500	3000	15000	14000		
	70	750	1400	2750	1500	3000	15000	14000		
80	750	1400	2750	1500	3000	15000	14000			
90	500	970	2200	1500	3000	15000	14000			
100	500	970	2200	1500	3000	15000	14000			

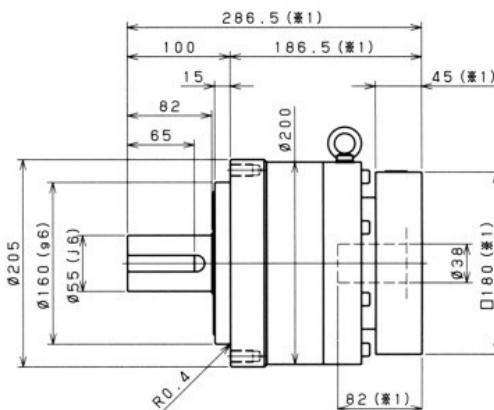
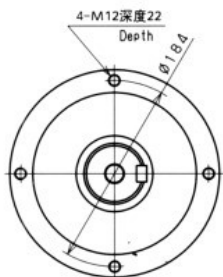
尺寸 Frame size	段位 Stage	减速比 Ratio	※8		※9		※10				
			容许最大 径向负荷 Maximum radial load [N]	容许最大 轴向负荷 Maximum axial load [N]	重量 Weight [kg]	惯性力矩 Moment of inertia ($\leq \phi 28$) [kgcm ²]	惯性力矩 Moment of inertia ($\leq \phi 38$) [kgcm ²]	惯性力矩 Moment of inertia ($\leq \phi 48$) [kgcm ²]	惯性力矩 Moment of inertia ($\leq \phi 65$) [kgcm ²]		
205	1段 Single	3	15000	14000	39	-	44	66	130		
		4	15000	14000		-	28	50	110		
		5	15000	14000		-	22	44	100		
		6	15000	14000		-	18	41	100		
		7	15000	14000		-	16	38	99		
		8	15000	14000		-	15	37	97		
		9	15000	14000		-	14	36	97		
		10	15000	14000		-	14	36	96		
		2段 Double	15	15000		14000	40	4.7	12	34	-
			16	15000		14000		5.4	13	35	-
	20		15000	14000	4.4	12		34	-		
	25		15000	14000	4.2	12		34	-		
	28		15000	14000	4.9	13		35	-		
	30		15000	14000	3.2	11		33	-		
	35		15000	14000	4.1	12		34	-		
	40		15000	14000	3.2	11		33	-		
	45		15000	14000	4.0	12		34	-		
	50		15000	14000	3.1	11		33	-		
	60	15000	14000	3.1	11	33	-				
	70	15000	14000	3.1	11	33	-				
80	15000	14000	3.1	11	33	-					
90	15000	14000	3.1	11	33	-					
100	15000	14000	3.1	11	33	-					

- ※1 输入转速为额定转速时，使用寿命为20000小时的值
 ※2 启动、停止时容许的最大值
 ※3 发生撞击时容许的最大值（频率最高为1000次）
 ※4 运转过程中，额定输入转速的容许最大值
 ※5 在非连续运转条件下容许的最高输入转速
 ※6 输入转速为额定转速时，使用寿命为20000小时的值（作用于轴中央，轴向负荷为0时）
 ※7 输入转速为额定转速时，使用寿命为20000小时的值（作用于轴芯，径向负荷为0时）
 ※8 径向负荷的容许最大值
 ※9 轴向负荷的容许最大值
 ※10 因减速比和输入轴尺寸的不同而有所不同。

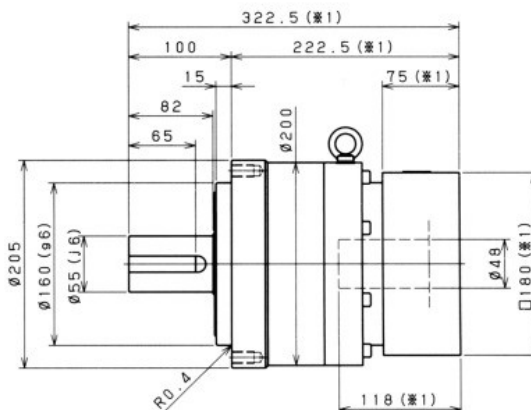
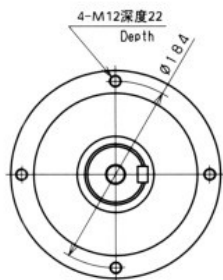
- ※1 With nominal input speed, service life is 20,000 hours.
 ※2 The maximum torque when starting and stopping.
 ※3 The maximum torque when it receives shock (up to 1,000 times)
 ※4 The maximum average input speed.
 ※5 The maximum momentary input speed.
 ※6 With this load and nominal input speed, service life will be 20,000 hours (Applied to the output shaft center, at axial load 0)
 ※7 With this load and nominal input speed, service life will be 20,000 hours (Applied to the output side bearing, at radial load 0)
 ※8 The maximum radial load the reducer can accept.
 ※9 The maximum axial load the reducer can accept.
 ※10 The weight may vary slightly model to model.

EPL-205 1段 1stage

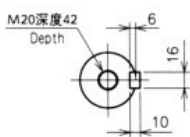
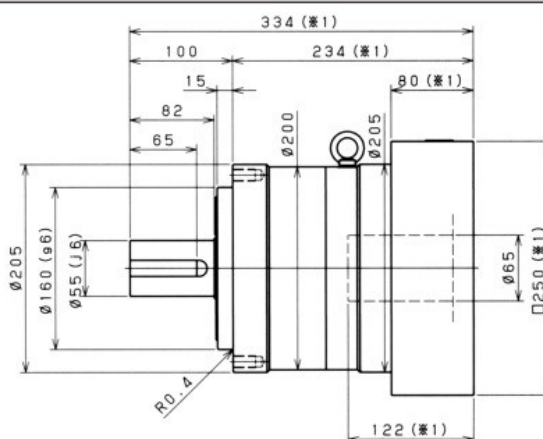
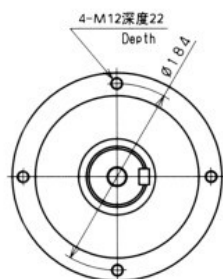
输入轴内径 Input shaft bore $\leq \phi 38$



输入轴内径 Input shaft bore $\leq \phi 48$



输入轴内径 Input shaft bore $\leq \phi 65$



附带键轴
Shaft with key

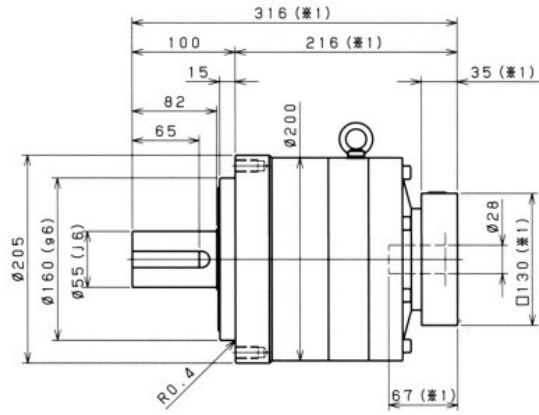
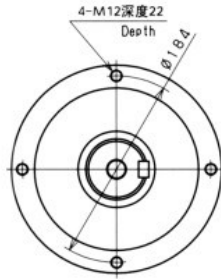


无键轴
Smooth shaft

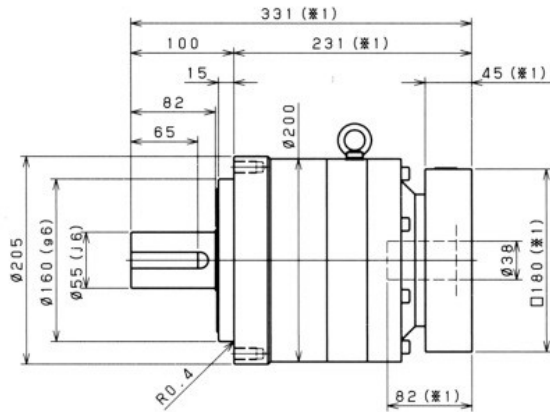
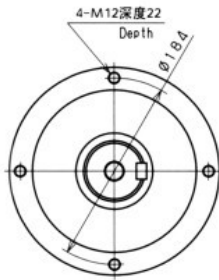
- ※ 1 随安装马达的不同而有所差异。
- ※ 2 马达轴径与输入轴径不同时，可插入轴套。
- ※ 1 Length will vary depending on motor.
- ※ 2 Bushing will be inserted to adapt to motor shaft.

EPL-205 2段 2stage

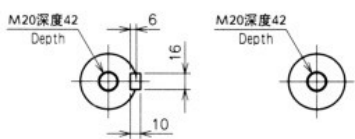
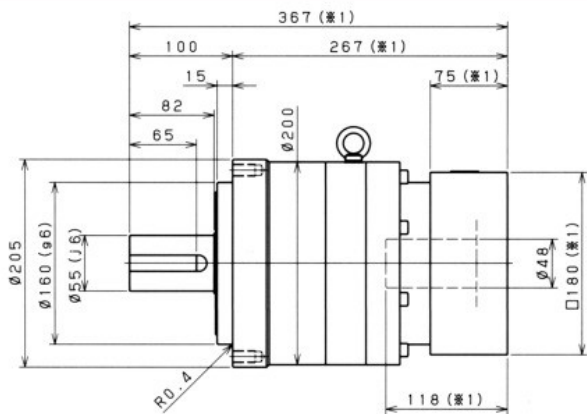
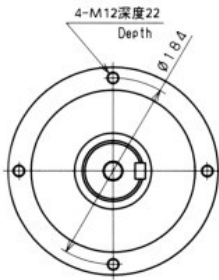
输入轴内径 Input shaft bore $\leq \phi 28$



输入轴内径 Input shaft bore $\leq \phi 38$



输入轴内径 Input shaft bore $\leq \phi 48$



附带键轴
Shaft with key

无键轴
Smooth shaft

- ※ 1 随安装马达的不同而有所差异。
- ※ 2 马达轴径与输入轴径不同时，可插入轴套。
- ※ 1 Length will vary depending on motor.
- ※ 2 Bushing will be inserted to adapt to motor shaft.

EPL

尺寸 Frame size	段位 Stage	减速比 Ratio	※1	※2	※3	※4	※5	※6	※7	
			容许 额定扭矩 Nominal output torque [Nm]	容许 最大扭矩 Maximum output torque [Nm]	紧急时 最大扭矩 Emergency stop torque [Nm]	容许额定 输入转速 Nominal input speed [rpm]	容许最高 输入转速 Maximum input speed [rpm]	容许 径向负荷 Permitted radial load [N]	容许 轴向负荷 Permitted axial load [N]	
235	1段 Single	3	1000	1600	4000	1000	2000	5800	6400	
		4	1500	2300	5000	1000	2000	6400	7200	
		5	1500	2300	5000	1000	2000	6900	7900	
		6	1500	2300	5000	1000	2000	7300	8600	
		7	1500	2300	5000	1000	2000	7700	9200	
		8	1500	2200	5000	1000	2000	8000	9700	
		9	1000	1900	4000	1000	2000	8400	10000	
		10	1000	1600	4000	1000	2000	8700	11000	
		2段 Double	15	1000	1600	4000	1000	2000	9900	13000
			16	1500	2300	5000	1000	2000	10000	13000
	20		1500	2300	5000	1000	2000	11000	14000	
	25		1500	2300	5000	1000	2000	12000	14000	
	28		1500	2300	5000	1000	2000	12000	14000	
	30		1000	1600	4000	1000	2000	13000	14000	
	35		1500	2300	5000	1000	2000	13000	14000	
	40		1500	2300	5000	1000	2000	14000	14000	
	45		1000	1300	4000	1000	2000	14000	14000	
	50		1500	2300	5000	1000	2000	15000	14000	
	60	1500	2300	5000	1000	2000	15000	14000		
	70	1500	2300	5000	1000	2000	15000	14000		
80	1500	1800	5000	1000	2000	15000	14000			
90	1000	1300	4000	1000	2000	15000	14000			
100	1000	1200	4000	1000	2000	15000	14000			

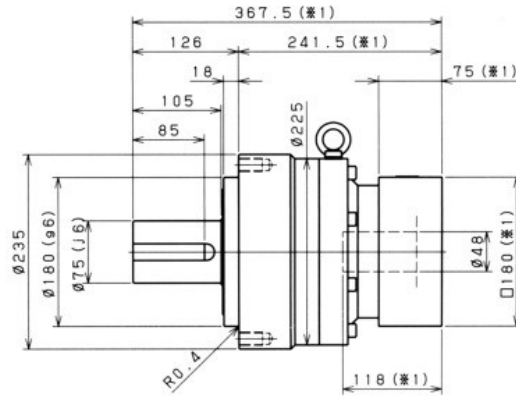
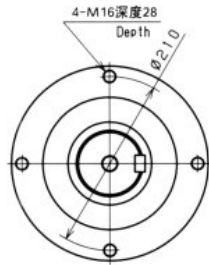
尺寸 Frame size	段位 Stage	减速比 Ratio	※8		重量 Weight [kg]	※9		※10		
			容许最大 径向负荷 Maximum radial load [N]	容许最大 轴向负荷 Maximum axial load [N]		惯性力矩 Moment of inertia (≤φ38) [kgcm ²]	惯性力矩 Moment of inertia (≤φ48) [kgcm ²]	惯性力矩 Moment of inertia (≤φ65) [kgcm ²]		
235	1段 Single	3	15000	14000	55	-	90	150		
		4	15000	14000		-	62	120		
		5	15000	14000		-	52	110		
		6	15000	14000		-	47	110		
		7	15000	14000		-	42	100		
		8	15000	14000		-	40	100		
		9	15000	14000		-	39	99		
		10	15000	14000		-	38	98		
		2段 Double	15	15000		14000	57	14	36	-
			16	15000		14000		16	37	-
	20		15000	14000	14	35		-		
	25		15000	14000	14	35		-		
	28		15000	14000	15	36		-		
	30		15000	14000	12	34		-		
	35		15000	14000	13	35		-		
	40		15000	14000	12	33		-		
	45		15000	14000	13	35		-		
	50		15000	14000	12	33		-		
	60	15000	14000	12	33	-				
	70	15000	14000	12	33	-				
80	15000	14000	12	33	-					
90	15000	14000	12	33	-					
100	15000	14000	12	33	-					

- ※ 1 输入转速为额定转速时，使用寿命为20000小时的值
- ※ 2 启动、停止时容许的最大值
- ※ 3 发生撞击时容许的最大值（频率最高为1000次）
- ※ 4 运转过程中，额定输入转速的容许最大值
- ※ 5 在非连续运转条件下容许的最高输入转速
- ※ 6 输入转速为额定转速时，使用寿命为20000小时的值（作用于轴中央，轴向负荷为0时）
- ※ 7 输入转速为额定转速时，使用寿命为20000小时的值（作用于轴芯，径向负荷为0时）
- ※ 8 径向负荷的容许最大值
- ※ 9 轴向负荷的容许最大值
- ※10 因减速比和输入轴尺寸的不同而有所不同。

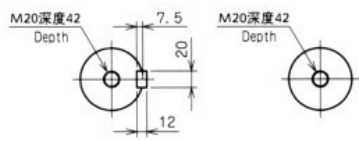
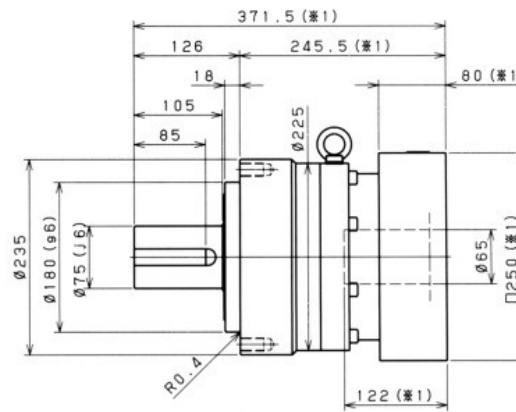
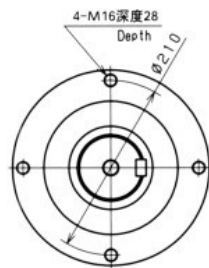
- ※ 1 With nominal input speed, service life is 20,000 hours.
- ※ 2 The maximum torque when starting and stopping.
- ※ 3 The maximum torque when it receives shock (up to 1,000 times)
- ※ 4 The maximum average input speed.
- ※ 5 The maximum momentary input speed.
- ※ 6 With this load and nominal input speed, service life will be 20,000 hours (Applied to the output shaft center, at axial load 0)
- ※ 7 With this load and nominal input speed, service life will be 20,000 hours (Applied to the output side bearing, at radial load 0)
- ※ 8 The maximum radial load the reducer can accept.
- ※ 9 The maximum axial load the reducer can accept.
- ※ 10 The weight may vary slightly model to model.

EPL-235 1段 1stage

输入轴内径 Input shaft bore $\leq \phi 48$



输入轴内径 Input shaft bore $\leq \phi 65$



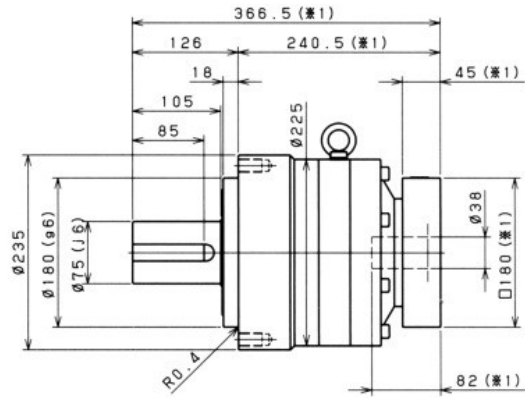
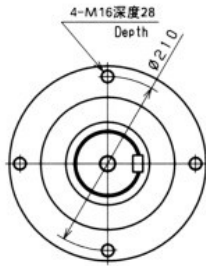
附带键轴
Shaft with key

无键轴
Smooth shaft

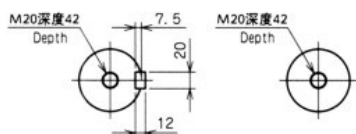
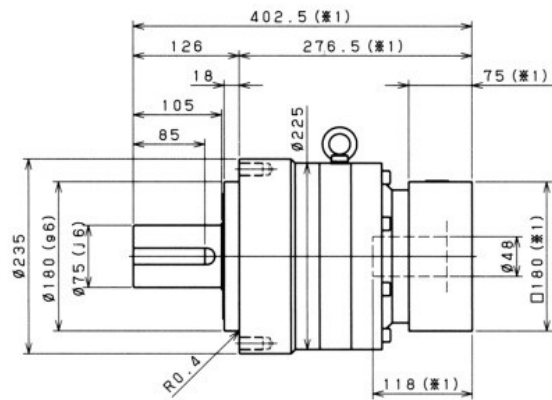
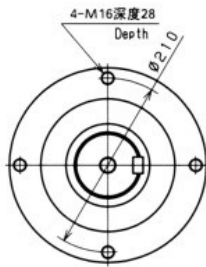
- ※ 1 随安装马达的不同而有所差异。
- ※ 2 马达轴径与输入轴径不同时，可插入轴套。
- ※ 1 Length will vary depending on motor.
- ※ 2 Bushing will be inserted to adapt to motor shaft.

EPL-235 2段 2stage

输入轴内径 Input shaft bore $\leq \phi 38$



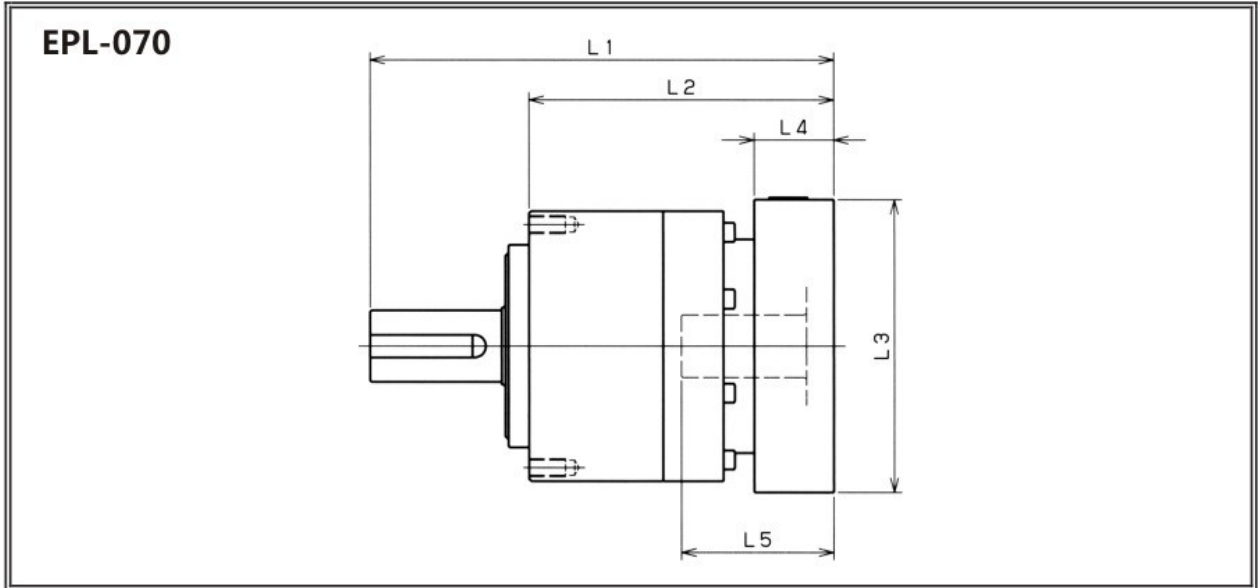
输入轴内径 Input shaft bore $\leq \phi 48$



附带键轴
Shaft with key

无键轴
Smooth shaft

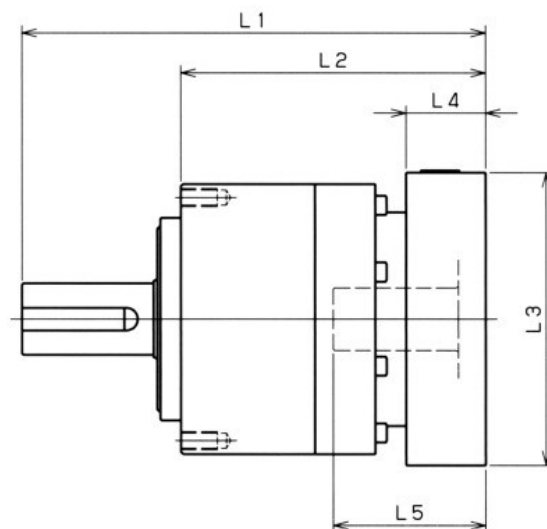
- ※ 1 随安装马达的不同而有所差异。
- ※ 2 马达轴径与输入轴径不同时，可插入轴套。
- ※ 1 Length will vary depending on motor.
- ※ 2 Bushing will be inserted to adapt to motor shaft.



型号 Model number	** : 输入法兰编号 ** : Input flange code	1段 Single					2段 Double				
		L1	L2	L3	L4	L5	L1	L2	L3	L4	L5
EPL-070-□-□-8** (输入轴内径 $\leq \phi 8$) Input shaft bore $\leq \phi 8$	AA·AC·AD·AF·AG	112	76	□52	15.5	32	131	95	□52	15.5	32
	AB·AE·AH·AJ·AK	117	81	□52	20.5	37	136	100	□52	20.5	37
	BA·BB·BD·BE	112	76	□60	15.5	32	131	95	□60	15.5	32
	BC·BF	117	81	□60	20.5	37	136	100	□60	20.5	37
	CA	117	81	□70	20.5	37	136	100	□70	20.5	37
EPL-070-□-□-14** (输入轴内径 $\leq \phi 14$) Input shaft bore $\leq \phi 14$	BA·BB·BD·BE·BF·BG·BJ·BK	115	79	□65	16.5	35	136	100	□65	16.5	35
	BC·BH·BM	120	84	□65	21.5	40	141	105	□65	21.5	40
	BL	125	89	□65	26.5	45	146	110	□65	26.5	45
	CA	115	79	□70	16.5	35	136	100	□70	16.5	35
	CB	120	84	□70	21.5	40	141	105	□70	21.5	40
	DA·DB·DC·DD·DF·DH	115	79	□80	16.5	35	136	100	□80	16.5	35
	DE	120	84	□80	21.5	40	141	105	□80	21.5	40
	DG	125	89	□80	26.5	45	146	110	□80	26.5	45
	EA·EB·EC	115	79	□90	16.5	35	136	100	□90	16.5	35
	ED	125	89	□90	26.5	45	146	110	□90	26.5	45
	FA	115	79	□100	16.5	35	136	100	□100	16.5	35
EPL-070-□-□-19** (输入轴内径 $\leq \phi 19$) Input shaft bore $\leq \phi 19$	GA	115	79	□115	16.5	35	136	100	□115	16.5	35
	DA·DB·DC	130	94	□80	25	50					
	DD	140	104	□80	35	60					
	DE	135	99	□80	30	55					
	EA	135	99	□90	30	55					
	EB	130	94	□90	25	50					
	EC	140	104	□90	35	60					
	FA	130	94	□100	25	50					
	FB	140	104	□100	35	60					
	GA·GC	135	99	□115	30	55					
	GB·GD	130	94	□115	25	50					
HA	130	94	□130	25	50						
HB	145	109	□130	40	65						
HC·HD·HE	135	99	□130	30	55						

※ 1 1段减速 : 1/3~1/10; 2段减速 : 1/15~1/100
 ※ 2 马达轴径与输入轴径不同时, 可插入轴套。

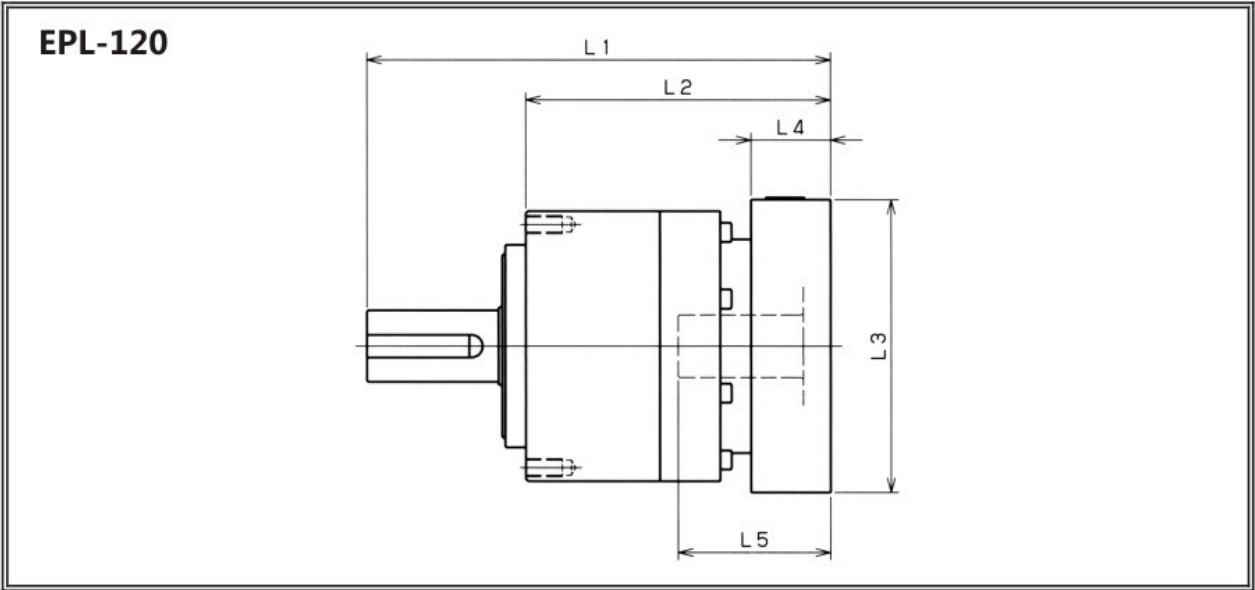
※ 1 Single reduction: 1/3~1/10, Double reduction: 1/15~1/100
 ※ 2 Bushing will be inserted to adapt to motor shaft.

EPL-090


型号 Model number	**: 输入法兰编号 ** : Input flange code	1段 Single					2段 Double				
		L1	L2	L3	L4	L5	L1	L2	L3	L4	L5
EPL-090-□-□-8** (输入轴内径 $\leq \phi 8$)	AA·AC·AD·AF·AG	/	/	/	/	/	160	114	□52	15.5	32
	AB·AE·AH·AJ·AK	/	/	/	/	/	165	119	□52	20.5	37
	BA·BB·BD·BE	/	/	/	/	/	160	114	□60	15.5	32
	BC·BF	/	/	/	/	/	165	119	□60	20.5	37
	CA	/	/	/	/	/	165	119	□70	20.5	37
EPL-090-□-□-14** (输入轴内径 $\leq \phi 14$)	BA·BB·BD·BE·BF·BG·BJ·BK	143	97	□65	16.5	35	165	119	□65	16.5	35
	BC·BH·BM	148	102	□65	21.5	40	170	124	□65	21.5	40
	BL	153	107	□65	26.5	45	175	129	□65	26.5	45
	CA	143	97	□70	16.5	35	165	119	□70	16.5	35
	CB	148	102	□70	21.5	40	170	124	□70	21.5	40
	DA·DB·DC·DD·DF·DH	143	97	□80	16.5	35	165	119	□80	16.5	35
	DE	148	102	□80	21.5	40	170	124	□80	21.5	40
	DG	153	107	□80	26.5	45	175	129	□80	26.5	45
	EA·EB·EC	143	97	□90	16.5	35	165	119	□90	16.5	35
	ED	153	107	□90	26.5	45	175	129	□90	26.5	45
	FA	143	97	□100	16.5	35	165	119	□100	16.5	35
GA	143	97	□115	16.5	35	165	119	□115	16.5	35	
EPL-090-□-□-19** (输入轴内径 $\leq \phi 19$)	DA·DB·DC	153	107	□80	25	50	175	129	□80	25	50
	DD	163	117	□80	35	60	185	139	□80	35	60
	DE	158	112	□80	30	55	180	134	□80	30	55
	EA	158	112	□90	30	55	180	134	□90	30	55
	EB	153	107	□90	25	50	175	129	□90	25	50
	EC	163	117	□90	35	60	185	139	□90	35	60
	FA	153	107	□100	25	50	175	129	□100	25	50
	FB	163	117	□100	35	60	185	139	□100	35	60
	GA·GC	158	112	□115	30	55	180	134	□115	30	55
	GB·GD	153	107	□115	25	50	175	129	□115	25	50
	HA	153	107	□130	25	50	175	129	□130	25	50
	HB	168	122	□130	40	65	190	144	□130	40	65
	HC·HD·HE	158	112	□130	30	55	180	134	□130	30	55
EPL-090-□-□-28** (输入轴内径 $\leq \phi 28$)	FA·FB·FC	170	124	□100	35	67	/	/	/	/	/
	GA·GB·GC·GD·GE·GF·GG	170	124	□115	35	67	/	/	/	/	/
	HA·HC·HD	170	124	□130	35	67	/	/	/	/	/
	HB	180	134	□130	45	77	/	/	/	/	/
	JA·JB·JC	170	124	□150	35	67	/	/	/	/	/
	KA·KB	170	124	□180	35	67	/	/	/	/	/
	KD	180	134	□180	45	77	/	/	/	/	/
	LA	170	124	□200	35	67	/	/	/	/	/
MA	170	124	□220	35	67	/	/	/	/	/	

※ 1 1段减速: 1/3~1/10; 2段减速: 1/15~1/100
 ※ 2 马达轴径与输入轴径不同时, 可插入轴套。

※ 1 Single reduction: 1/3~1/10, Double reduction: 1/15~1/100
 ※ 2 Bushing will be inserted to adapt to motor shaft.



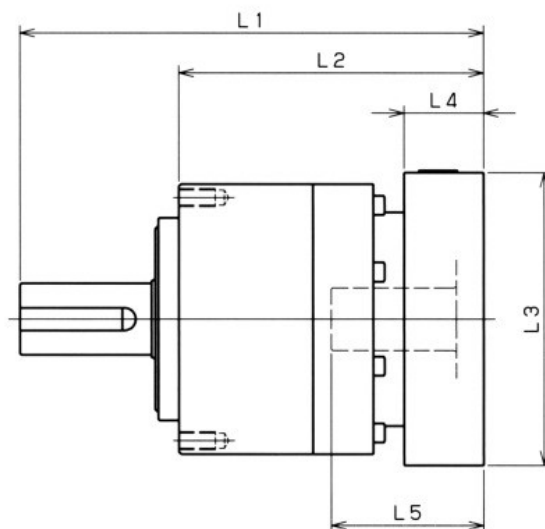
型号 Model number	** : 输入法兰编号 ** : Input flange code	1段 Single					2段 Double				
		L1	L2	L3	L4	L5	L1	L2	L3	L4	L5
EPL-120-□-□-14** (输入轴内径 ≤ φ14 Input shaft bore ≤ φ14)	BA·BB·BD·BE·BF·BG·BJ·BK	/	/	/	/	/	204.5	134.5	□65	16.5	35
	BC·BH·BM	/	/	/	/	/	209.5	139.5	□65	21.5	40
	BL	/	/	/	/	/	214.5	144.5	□65	26.5	45
	CA	/	/	/	/	/	204.5	134.5	□70	16.5	35
	CB	/	/	/	/	/	209.5	139.5	□70	21.5	40
	DA·DB·DC·DD·DF·DH	/	/	/	/	/	204.5	134.5	□80	16.5	35
	DE	/	/	/	/	/	209.5	139.5	□80	21.5	40
	DG	/	/	/	/	/	214.5	144.5	□80	26.5	45
	EA·EB·EC	/	/	/	/	/	204.5	134.5	□90	16.5	35
	ED	/	/	/	/	/	214.5	144.5	□90	26.5	45
	FA	/	/	/	/	/	204.5	134.5	□100	16.5	35
	GA	/	/	/	/	/	204.5	134.5	□115	16.5	35
EPL-120-□-□-19** (输入轴内径 ≤ φ19 Input shaft bore ≤ φ19)	DA·DB·DC	187	117	□80	25	50	214.5	144.5	□80	25	50
	DD	197	127	□80	35	60	224.5	154.5	□80	35	60
	DE	192	122	□80	30	55	219.5	149.5	□80	30	55
	EA	192	122	□90	30	55	219.5	149.5	□90	30	55
	EB	187	117	□90	25	50	214.5	144.5	□90	25	50
	EC	197	127	□90	35	60	224.5	154.5	□90	35	60
	FA	187	117	□100	25	50	214.5	144.5	□100	25	50
	FB	197	127	□100	35	60	224.5	154.5	□100	35	60
	GA·GC	192	122	□115	30	55	219.5	149.5	□115	30	55
	GB·GD	187	117	□115	25	50	214.5	144.5	□115	25	50
	HA	187	117	□130	25	50	214.5	144.5	□130	25	50
	HB	202	132	□130	40	65	229.5	159.5	□130	40	65
HC·HD·HE	192	122	□130	30	55	219.5	149.5	□130	30	55	
EPL-120-□-□-28** (输入轴内径 ≤ φ28 Input shaft bore ≤ φ28)	FA·FB·FC	204	134	□100	35	67	231.5	161.5	□100	35	67
	GA·GB·GC·GD·GE·GF·GG	204	134	□115	35	67	231.5	161.5	□115	35	67
	HA·HC·HD	204	134	□130	35	67	231.5	161.5	□130	35	67
	HB	214	144	□130	45	77	241.5	171.5	□130	45	77
	JA·JB·JC	204	134	□150	35	67	231.5	161.5	□150	35	67
	KA·KB	204	134	□180	35	67	231.5	161.5	□180	35	67
	KD	214	144	□180	45	77	241.5	171.5	□180	45	77
	LA	204	134	□200	35	67	231.5	161.5	□200	35	67
EPL-120-□-□-38** (输入轴内径 ≤ φ38 Input shaft bore ≤ φ38)	MA	204	134	□220	35	67	231.5	161.5	□220	35	67
	HA	225	155	□130	45	82	/	/	/	/	/
	HB	220	150	□130	40	77	/	/	/	/	/
	JA	225	155	□150	45	82	/	/	/	/	/
	KA·KB·KC	225	155	□180	45	82	/	/	/	/	/
	LA	225	155	□200	45	82	/	/	/	/	/
	LB	235	165	□200	55	92	/	/	/	/	/
	MA·MB	225	155	□220	45	82	/	/	/	/	/
NA	225	155	□250	45	82	/	/	/	/	/	

※ 1 1段减速 : 1/3~1/10; 2段减速 : 1/15~1/100
 ※ 2 马达轴径与输入轴径不同时, 可插入轴套。

※ 1 Single reduction : 1/3~1/10, Double reduction : 1/15~1/100
 ※ 2 Bushing will be inserted to adapt to motor shaft.

EPL

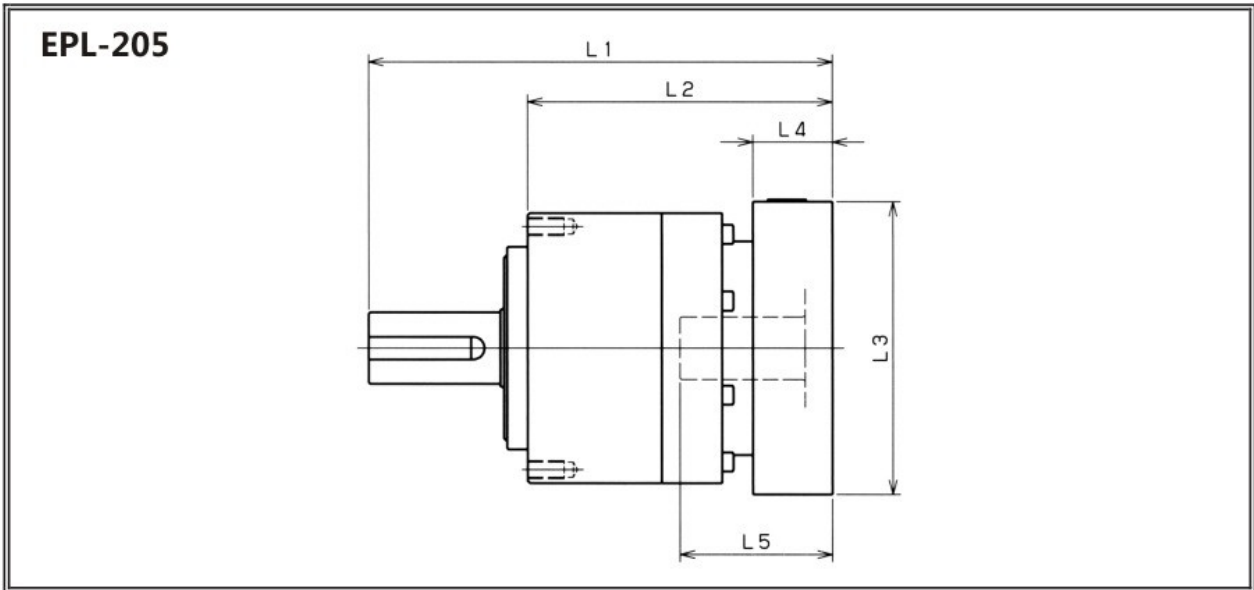
EPL-155



型号 Model number	** : 输入法兰编号 ** : Input flange code	1段 Single					2段 Double				
		L1	L2	L3	L4	L5	L1	L2	L3	L4	L5
EPL-155-□-□-19** (输入轴内径 $\leq \phi 19$)	DA·DB·DC	/	/	/	/	/	266.5	169.5	□80	25	50
	DD	/	/	/	/	/	276.5	179.5	□80	35	60
	DE	/	/	/	/	/	271.5	174.5	□80	30	55
	EA	/	/	/	/	/	271.5	174.5	□90	30	55
	EB	/	/	/	/	/	266.5	169.5	□90	25	50
	EC	/	/	/	/	/	276.5	179.5	□90	35	60
	FA	/	/	/	/	/	266.5	169.5	□100	25	50
	FB	/	/	/	/	/	276.5	179.5	□100	35	60
	GA·GC	/	/	/	/	/	271.5	174.5	□115	30	55
	GB·GD	/	/	/	/	/	266.5	169.5	□115	25	50
	HA	/	/	/	/	/	266.5	169.5	□130	25	50
	HB	/	/	/	/	/	281.5	184.5	□130	40	65
	HC·HD·HE	/	/	/	/	/	271.5	174.5	□130	30	55
EPL-155-□-□-28** (输入轴内径 $\leq \phi 28$)	FA·FB·FC	249	152	□100	35	67	283.5	186.5	□100	35	67
	GA·GB·GC·GD·GE·GF·GG	249	152	□115	35	67	283.5	186.5	□115	35	67
	HA·HC·HD	249	152	□130	35	67	283.5	186.5	□130	35	67
	HB	259	162	□130	45	77	293.5	196.5	□130	45	77
	JA·JB·JC	249	152	□150	35	67	283.5	186.5	□150	35	67
	KA·KB	249	152	□180	35	67	283.5	186.5	□180	35	67
	KD	259	162	□180	45	77	293.5	196.5	□180	45	77
	LA	249	152	□200	35	67	283.5	186.5	□200	35	67
MA	249	152	□220	35	67	283.5	186.5	□220	35	67	
EPL-155-□-□-38** (输入轴内径 $\leq \phi 38$)	HA	264	167	□130	45	82	298.5	201.5	□130	45	82
	HB	259	162	□130	40	77	293.5	196.5	□130	40	77
	JA	264	167	□150	45	82	298.5	201.5	□150	45	82
	KA·KB·KC	264	167	□180	45	82	298.5	201.5	□180	45	82
	LA	264	167	□200	45	82	298.5	201.5	□200	45	82
	LB	274	177	□200	55	92	308.5	211.5	□200	55	92
	MA·MB	264	167	□220	45	82	298.5	201.5	□220	45	82
NA	264	167	□250	45	82	298.5	201.5	□250	45	82	
EPL-155-□-□-48** (输入轴内径 $\leq \phi 48$)	KB·KC	285	188	□180	55	98	/	/	/	/	/
	KA	305	208	□180	75	118	/	/	/	/	/
	LA	285	188	□200	55	98	/	/	/	/	/
	MA	285	188	□220	55	98	/	/	/	/	/
	MB	305	208	□220	75	118	/	/	/	/	/
	NA	305	208	□250	75	118	/	/	/	/	/
PA	305	208	□280	75	118	/	/	/	/	/	

※ 1 1段减速: 1/3~1/10; 2段减速: 1/15~1/100
 ※ 2 马达轴径与输入轴径不同时, 可插入轴套。

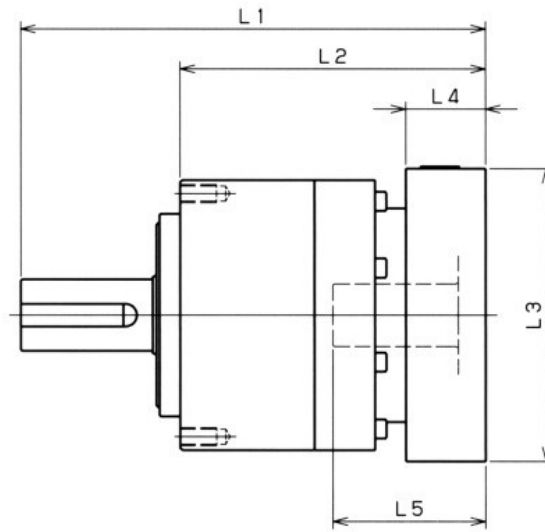
※ 1 Single reduction: 1/3~1/10, Double reduction: 1/15~1/100
 ※ 2 Bushing will be inserted to adapt to motor shaft.



型号 Model number	** : 输入法兰编号 ** : Input flange code	1段 Single					2段 Double				
		L1	L2	L3	L4	L5	L1	L2	L3	L4	L5
EPL-205-□-□-28** (输入轴内径 $\leq \phi 28$) Input shaft bore $\leq \phi 28$	FA·FB·FC	/	/	/	/	/	316	216	□100	35	67
	GA·GB·GC·GD·GE·GF·GG	/	/	/	/	/	316	216	□115	35	67
	HA·HC·HD	/	/	/	/	/	316	216	□130	35	67
	HB	/	/	/	/	/	326	226	□130	45	77
	JA·JB·JC	/	/	/	/	/	316	216	□150	35	67
	KA·KB	/	/	/	/	/	316	216	□180	35	67
	KD	/	/	/	/	/	326	226	□180	45	77
	LA	/	/	/	/	/	316	216	□200	35	67
MA	/	/	/	/	/	316	216	□220	35	67	
EPL-205-□-□-38** (输入轴内径 $\leq \phi 38$) Input shaft bore $\leq \phi 38$	HA	286.5	186.5	□130	45	82	331	231	□130	45	82
	HB	281.5	181.5	□130	40	77	326	226	□130	40	77
	JA	286.5	186.5	□150	45	82	331	231	□150	45	82
	KA·KB·KC	286.5	186.5	□180	45	82	331	231	□180	45	82
	LA	286.5	186.5	□200	45	82	331	231	□200	45	82
	LB	296.5	196.5	□200	55	92	341	241	□200	55	92
	MA·MB	286.5	186.5	□220	45	82	331	231	□220	45	82
NA	286.5	186.5	□250	45	82	331	231	□250	45	82	
EPL-205-□-□-48** (输入轴内径 $\leq \phi 48$) Input shaft bore $\leq \phi 48$	KB·KC	302.5	202.5	□180	55	98	347	247	□180	55	98
	KA	322.5	222.5	□180	75	118	367	267	□180	75	118
	LA	302.5	202.5	□200	55	98	347	247	□200	55	98
	MA	302.5	202.5	□220	55	98	347	247	□220	55	98
	MB	322.5	222.5	□220	75	118	367	267	□220	75	118
	NA	322.5	222.5	□250	75	118	367	267	□250	75	118
EPL-205-□-□-65** (输入轴内径 $\leq \phi 65$) Input shaft bore $\leq \phi 65$	PA	322.5	222.5	□280	75	118	367	267	□280	75	118
	MA·MB·MC·MD	334	234	□220	80	122	/	/	/	/	/
	NA	334	234	□250	80	122	/	/	/	/	/
	PA	354	254	□280	100	142	/	/	/	/	/
	PB	364	264	□280	110	152	/	/	/	/	/
	QA	354	254	□320	100	142	/	/	/	/	/

※ 1 1段减速 : 1/3~1/10; 2段减速 : 1/15~1/100
 ※ 2 马达轴径与输入轴径不同时, 可插入轴套。

※ 1 Single reduction: 1/3~1/10, Double reduction: 1/15~1/100
 ※ 2 Bushing will be inserted to adapt to motor shaft.

EPL-235


型号 Model number	** : 输入法兰编号 ** : Input flange code	1段 Single					2段 Double				
		L1	L2	L3	L4	L5	L1	L2	L3	L4	L5
EPL-235-□-□-38** (输入轴内径 ≤ φ38 Input shaft bore ≤ φ38)	HA						366.5	240.5	□130	45	82
	HB						361.5	235.5	□130	40	77
	JA						366.5	240.5	□150	45	82
	KA·KB·KC						366.5	240.5	□180	45	82
	LA						366.5	240.5	□200	45	82
	LB						376.5	250.5	□200	55	92
	MA·MB						366.5	240.5	□220	45	82
	NA						366.5	240.5	□250	45	82
EPL-235-□-□-48** (输入轴内径 ≤ φ48 Input shaft bore ≤ φ48)	KB·KC	347.5	221.5	□180	55	98	382.5	256.5	□180	55	98
	KA	367.5	241.5	□180	75	118	402.5	276.5	□180	75	118
	LA	347.5	221.5	□200	55	98	382.5	256.5	□200	55	98
	MA	347.5	221.5	□220	55	98	382.5	256.5	□220	55	98
	MB	367.5	241.5	□220	75	118	402.5	276.5	□220	75	118
	NA	367.5	241.5	□250	75	118	402.5	276.5	□250	75	118
	PA	367.5	241.5	□280	75	118	402.5	276.5	□280	75	118
EPL-235-□-□-65** (输入轴内径 ≤ φ65 Input shaft bore ≤ φ65)	MA·MB·MC·MD	371.5	245.5	□220	80	122					
	NA	371.5	245.5	□250	80	122					
	PA	391.5	265.5	□280	100	142					
	PB	401.5	275.5	□280	110	152					
	QA	391.5	265.5	□320	100	142					

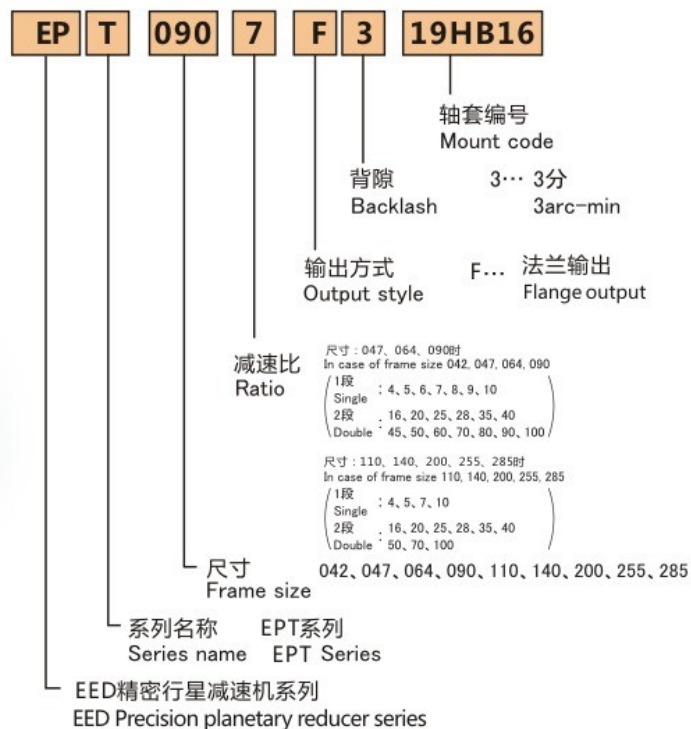
※ 1 1段减速 : 1/3 ~ 1/10; 2段减速 : 1/15 ~ 1/100
 ※ 2 马达轴径与输入轴径不同时, 可插入轴套。

※ 1 Single reduction: 1/3 ~ 1/10, Double reduction: 1/15 ~ 1/100
 ※ 2 Bushing will be inserted to adapt to motor shaft.

7、EPT Series



型号说明 Model Mark



高精度

齿隙低于3分、定位精确。

High precision

Standard backlash is 3 arc-min, ideal for precision control.

高刚性、高扭矩

使用整体式滚珠轴承，大大提高了刚性和扭矩。

High rigidity & torque

High rigidity & higt torque were achived by uncaged needle roller bearings.

高负载容量

主轴承采用锥形滚针轴承，实现高负载容量。
※尺寸064·090采用滚子轴承

High load capacity

Adopting taper roller bearing for the main output shaft to increase radial and axial load.
※Frame size064·090 adopt ball bearing.

法兰、连接器方式

可以安装到世界上任何一台马达上。

Adapter-bushing connection

Can be attached to any motor all over the world.

无润滑脂泄漏

使用高粘度、不易分离的润滑脂，有效防止润滑脂泄漏。

No grease leakage

Perfect solution using high viscosity anti-separation grease.

维护方便

在产品寿命期内无需更换润滑脂，安装更便捷。

Maintenance-free

No need to replace the grease for the life of the unit.
Can be attached in any position.

尺寸 Frame size	段位 Stage	减速比 Ratio	※1	※2	※3	※4	※5	※6	※7
			容许 额定扭矩 Nominal output torque	容许 最大扭矩 Maximum output torque	紧急时 最大扭矩 Emergency stop torque	容许额定 输入转速 Nominal input speed	容许最高 输入转速 Maximum input speed	容许 径向负荷 Permitted radial load	容许 轴向负荷 Permitted axial load
			[Nm]	[Nm]	[Nm]	[rpm]	[rpm]	[N]	[N]
047	1段 Single	4	9	18	35	4000	8000	270	300
		5	9	18	35	4000	8000	300	330
		6	9	18	35	4000	8000	310	360
		7	9	18	35	4000	8000	330	390
		8	9	18	35	4000	8000	350	410
		9	6	12	30	4000	8000	360	430
	2段 Double	10	6	12	30	4000	8000	370	450
		16	9	18	35	4000	8000	440	550
		20	9	18	35	4000	8000	470	550
		25	9	18	35	4000	8000	510	550
		28	9	18	35	4000	8000	530	550
		35	9	18	35	4000	8000	570	550
		40	9	18	35	4000	8000	590	550
		45	6	12	30	4000	8000	620	550
		50	9	18	35	4000	8000	640	550
		60	9	18	35	4000	8000	680	550
		70	9	18	35	4000	8000	710	550
		80	9	18	35	4000	8000	750	550
90	6	12	30	4000	8000	780	550		
100	6	12	30	4000	8000	800	550		

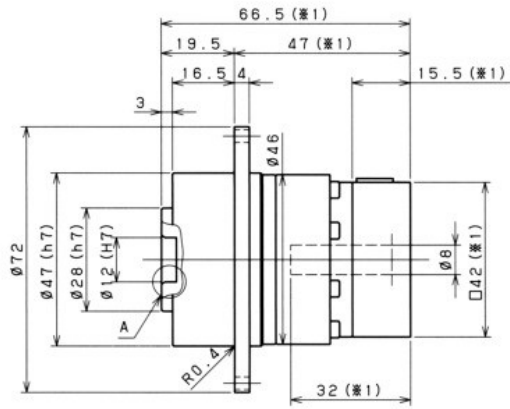
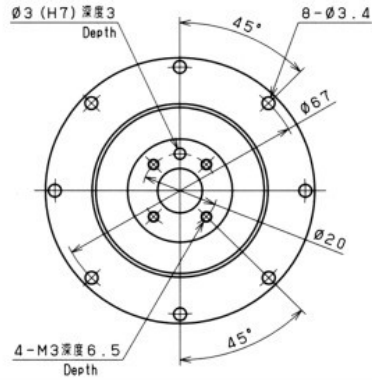
尺寸 Frame size	段位 Stage	减速比 Ratio	※8	※9	重量 Weight	※10	惯性力矩 Moment of inertia ($\leq \phi 8$)	惯性力矩 Moment of inertia ($\leq \phi 14$)
			容许最大 径向负荷 Maximum radial load	容许最大 轴向负荷 Maximum axial load		[kg]	[kgcm ²]	[kgcm ²]
			[N]	[N]		[kg]	[kgcm ²]	[kgcm ²]
047	1段 Single	4	1100	550	0.7	0.052	0.090	
		5	1100	550		0.043	0.081	
		6	1100	550		0.038	0.077	
		7	1100	550		0.036	0.074	
		8	1100	550		0.034	0.072	
		9	1100	550		0.033	0.071	
	2段 Double	10	1100	550	0.032	0.071		
		16	1100	550	0.039	-		
		20	1100	550	0.035	-		
		25	1100	550	0.034	-		
		28	1100	550	0.038	-		
		35	1100	550	0.034	-		
		40	1100	550	0.030	-		
		45	1100	550	0.034	-		
		50	1100	550	0.030	-		
		60	1100	550	0.030	-		
		70	1100	550	0.030	-		
		80	1100	550	0.030	-		
90	1100	550	0.030	-				
100	1100	550	0.030	-				

- ※ 1 输入转速为额定转速时，使用寿命为20000小时的值
- ※ 2 启动、停止时容许的最大值
- ※ 3 发生撞击时容许的最大值（频率最高为1000次）
- ※ 4 运转过程中，额定输入转速的容许最大值
- ※ 5 在非连续运转条件下容许的最高输入转速
- ※ 6 输入转速为额定转速时，使用寿命为20000小时的值（作用于轴中央，轴向负荷为0时）
- ※ 7 输入转速为额定转速时，使用寿命为20000小时的值（作用于轴芯，径向负荷为0时）
- ※ 8 径向负荷的容许最大值
- ※ 9 轴向负荷的容许最大值
- ※10 因减速比和输入轴尺寸的不同而有所不同。

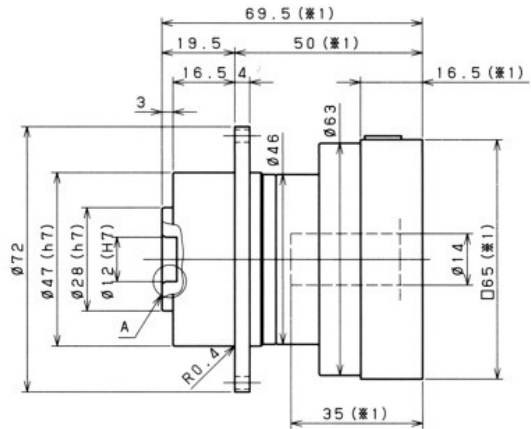
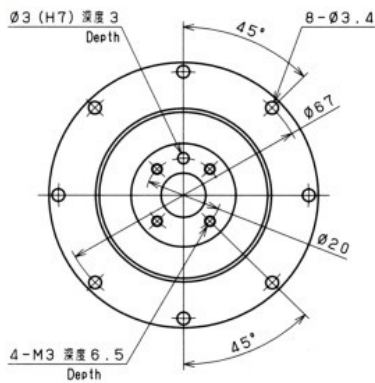
- ※ 1 With nominal input speed, service life is 20,000 hours.
- ※ 2 The maximum torque when starting and stopping.
- ※ 3 The maximum torque when it receives shock (up to 1,000 times)
- ※ 4 The maximum average input speed.
- ※ 5 The maximum momentary input speed.
- ※ 6 With this load and nominal input speed, service life will be 20,000 hours (Applied to the output shaft center, at axial load 0)
- ※ 7 With this load and nominal input speed, service life will be 20,000 hours (Applied to the output side bearing, at radial load 0)
- ※ 8 The maximum radial load the reducer can accept.
- ※ 9 The maximum axial load the reducer can accept.
- ※ 10 The weight may vary slightly model to model.

EPT-047 1段 1stage

输入轴内径 Input shaft bore $\leq \phi 8$

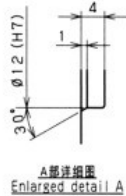
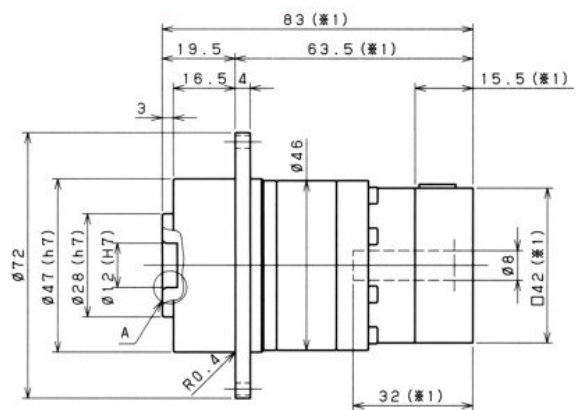
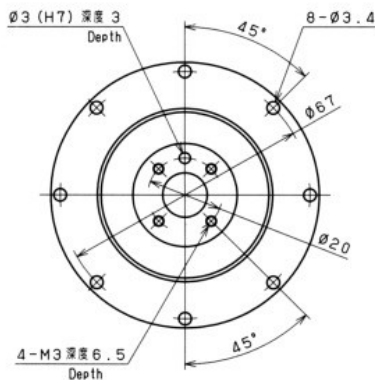


输入轴内径 Input shaft bore $\leq \phi 14$



EPT-047 2段 2stage

输入轴内径 Input shaft bore $\leq \phi 8$



- ※ 1 随安装马达的不同而有所差异。
- ※ 2 马达轴径与输入轴径不同时，可插入轴套。
- ※ 1 Length will vary depending on motor.
- ※ 2 Bushing will be inserted to adapt to motor shaft.

尺寸 Frame size	段位 Stage	减速比 Ratio	※1	※2	※3	※4	※5	※6	※7
			容许 额定扭矩 Nominal output torque	容许 最大扭矩 Maximum output torque	紧急时 最大扭矩 Emergency stop torque	容许额定 输入转速 Nominal input speed	容许最高 输入转速 Maximum input speed	容许 径向负荷 Permitted radial load	容许 轴向负荷 Permitted axial load
			[Nm]	[Nm]	[Nm]	[rpm]	[rpm]	[N]	[N]
064	1段 Single	4	27	50	100	3000	6000	370	360
		5	27	50	100	3000	6000	400	390
		6	27	50	100	3000	6000	420	430
		7	27	50	100	3000	6000	440	460
		8	27	50	100	3000	6000	460	480
		9	18	35	80	3000	6000	480	510
	2段 Double	10	18	35	80	3000	6000	500	530
		16	27	50	100	3000	6000	580	650
		20	27	50	100	3000	6000	630	720
		25	27	50	100	3000	6000	680	750
		28	27	50	100	3000	6000	700	750
		35	27	50	100	3000	6000	760	750
		40	27	50	100	3000	6000	790	750
		45	18	35	80	3000	6000	820	750
		50	27	50	100	3000	6000	850	750
		60	27	50	100	3000	6000	910	750
		70	27	50	100	3000	6000	950	750
		80	27	50	100	3000	6000	1000	750
90	18	35	80	3000	6000	1000	750		
100	18	35	80	3000	6000	1100	750		

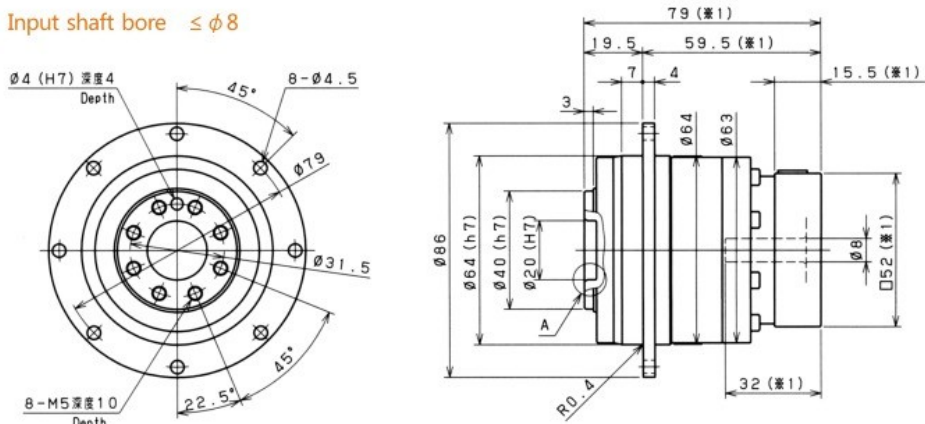
尺寸 Frame size	段位 Stage	减速比 Ratio	※8	※9	※10	惯性力矩 Moment of inertia ($\leq \phi 8$)	惯性力矩 Moment of inertia ($\leq \phi 14$)	惯性力矩 Moment of inertia ($\leq \phi 19$)
			容许最大 径向负荷 Maximum radial load	容许最大 轴向负荷 Maximum axial load	重量 Weight	[kgcm ²]	[kgcm ²]	kgcm ²
			[N]	[N]	[kg]	[kgcm ²]	[kgcm ²]	kgcm ²
064	1段 Single	4	1500	750	1.4	0.13	0.21	0.4
		5	1500	750		0.10	0.18	0.4
		6	1500	750		0.085	0.17	0.4
		7	1500	750		0.075	0.15	0.4
		8	1500	750		0.068	0.15	0.4
		9	1500	750		0.064	0.14	0.4
	2段 Double	10	1500	750	0.062	0.14	0.4	
		16	1500	750	0.059	0.14	-	
		20	1500	750	0.055	0.14	-	
		25	1500	750	0.054	0.13	-	
		28	1500	750	0.056	0.14	-	
		35	1500	750	0.053	0.13	-	
		40	1500	750	0.049	0.13	-	
		45	1500	750	0.053	0.13	-	
		50	1500	750	0.049	0.13	-	
		60	1500	750	0.049	0.13	-	
		70	1500	750	0.049	0.13	-	
		80	1500	750	0.049	0.13	-	
90	1500	750	0.049	0.13	-			
100	1500	750	0.049	0.13	-			

- ※ 1 输入转速为额定转速时，使用寿命为20000小时的值
- ※ 2 启动、停止时容许的最大值
- ※ 3 发生撞击时容许的最大值（频率最高为1000次）
- ※ 4 运转过程中，额定输入转速的容许最大值
- ※ 5 在非连续运转条件下容许的最高输入转速
- ※ 6 输入转速为额定转速时，使用寿命为20000小时的值（作用于轴中央，轴向负荷为0时）
- ※ 7 输入转速为额定转速时，使用寿命为20000小时的值（作用于轴芯，径向负荷为0时）
- ※ 8 径向负荷的容许最大值
- ※ 9 轴向负荷的容许最大值
- ※ 10 因减速比和输入轴尺寸的不同而有所不同。

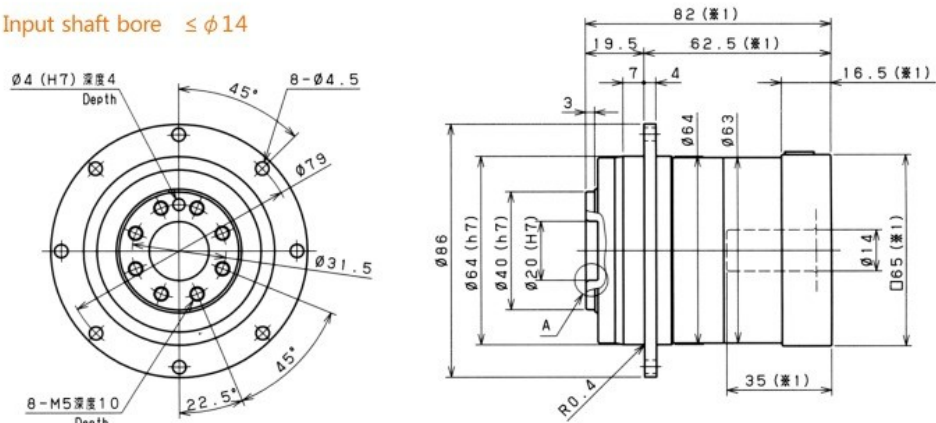
- ※ 1 With nominal input speed, service life is 20,000 hours.
- ※ 2 The maximum torque when starting and stopping.
- ※ 3 The maximum torque when it receives shock (up to 1,000 times)
- ※ 4 The maximum average input speed.
- ※ 5 The maximum momentary input speed.
- ※ 6 With this load and nominal input speed, service life will be 20,000 hours (Applied to the output shaft center, at axial load 0)
- ※ 7 With this load and nominal input speed, service life will be 20,000 hours (Applied to the output side bearing, at radial load 0)
- ※ 8 The maximum radial load the reducer can accept.
- ※ 9 The maximum axial load the reducer can accept.
- ※ 10 The weight may vary slightly model to model.

EPT-064 1段 1stage

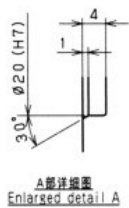
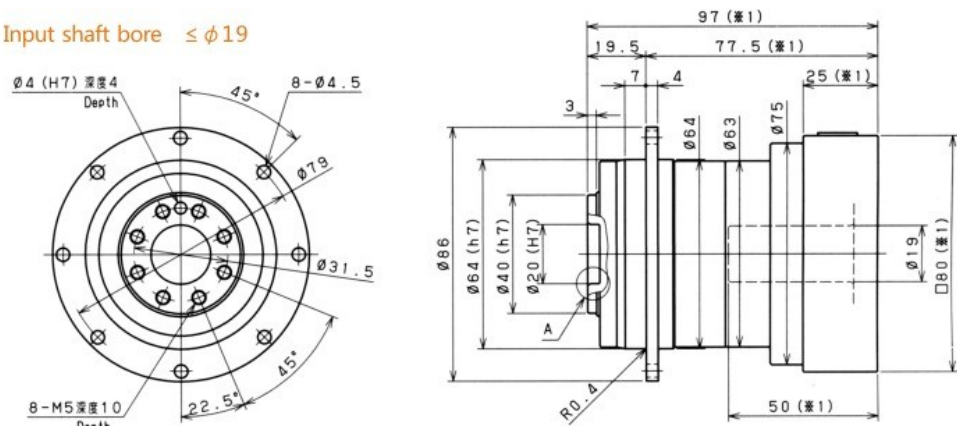
输入轴内径 Input shaft bore $\leq \phi 8$



输入轴内径 Input shaft bore $\leq \phi 14$



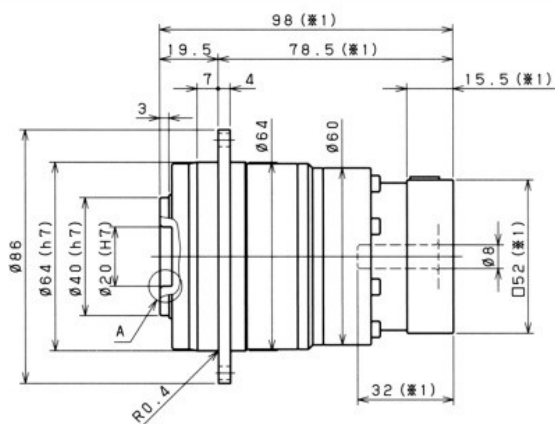
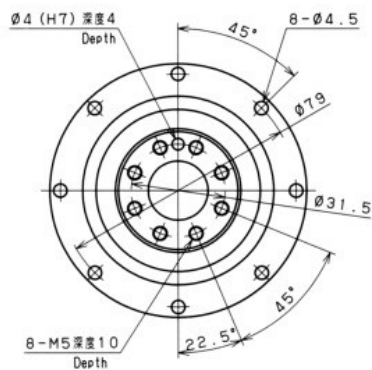
输入轴内径 Input shaft bore $\leq \phi 19$



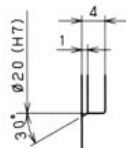
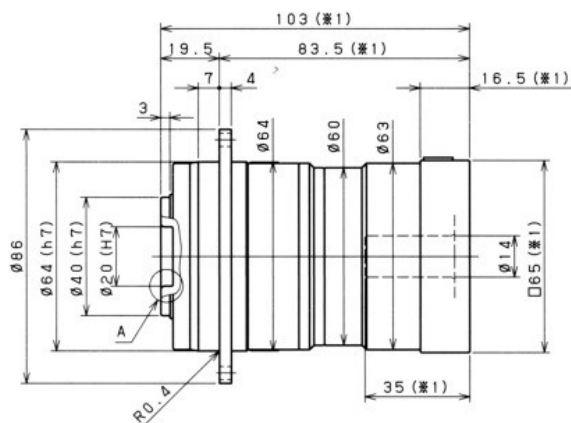
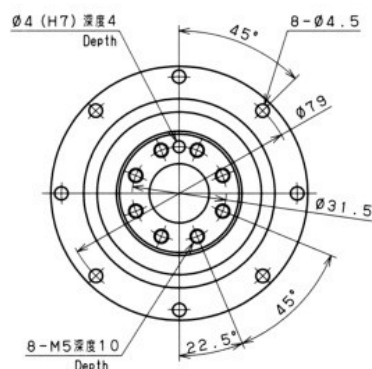
- ※ 1 随安装马达的不同而有所差异。
- ※ 2 马达轴径与输入轴径不同时，可插入轴套。
- ※ 1 Length will vary depending on motor.
- ※ 2 Bushing will be inserted to adapt to motor shaft.

EPT-064 2段 2stage

输入轴内径 Input shaft bore $\leq \phi 8$



输入轴内径 Input shaft bore $\leq \phi 14$



A 放大图
Enlarged detail A

- ※ 1 随安装马达的不同而有所差异。
- ※ 2 马达轴径与输入轴径不同时，可插入轴套。
- ※ 1 Length will vary depending on motor.
- ※ 2 Bushing will be inserted to adapt to motor shaft.

尺寸 Frame size	段位 Stage	减速比 Ratio	※1	※2	※3	※4	※5	※6	※7
			容许 额定扭矩 Nominal output torque [Nm]	容许 最大扭矩 Maximum output torque [Nm]	紧急时 最大扭矩 Emergency stop torque [Nm]	容许额定 输入转速 Nominal input speed [rpm]	容许最高 输入转速 Maximum input speed [rpm]	容许 径向负荷 Permitted radial load [N]	容许 轴向负荷 Permitted axial load [N]
090	1段 Single	4	75	125	250	3000	6000	720	620
		5	75	125	250	3000	6000	780	680
		6	75	125	250	3000	6000	830	740
		7	75	125	250	3000	6000	870	790
		8	75	125	250	3000	6000	910	830
		9	50	80	200	3000	6000	950	880
	2段 Double	10	50	80	200	3000	6000	980	920
		16	75	125	250	3000	6000	1200	1100
		20	75	125	250	3000	6000	1200	1200
		25	75	125	250	3000	6000	1300	1400
		28	75	125	250	3000	6000	1400	1400
		35	75	125	250	3000	6000	1500	1600
		40	75	125	250	3000	6000	1600	1700
		45	50	80	200	3000	6000	1600	1700
		50	75	125	250	3000	6000	1700	1700
		60	75	125	250	3000	6000	1800	1700
		70	75	125	250	3000	6000	1900	1700
		80	75	125	250	3000	6000	2000	1700
90	50	80	200	3000	6000	2000	1700		
100	50	80	200	3000	6000	2100	1700		

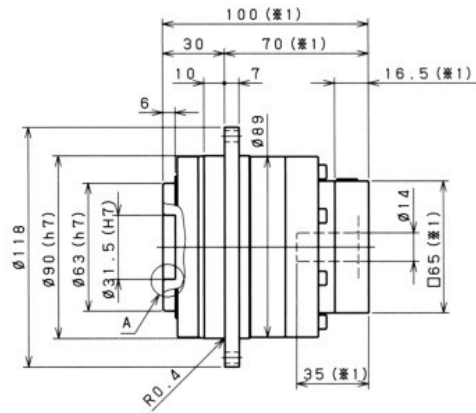
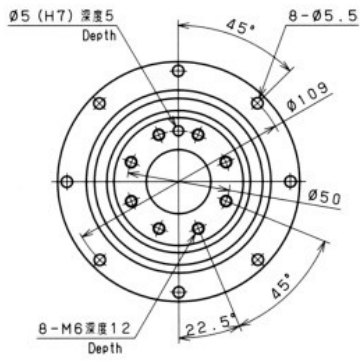
尺寸 Frame size	段位 Stage	减速比 Ratio	※8	※9	重量 Weight [kg]	惯性力矩 Moment of inertia ($\leq \phi 8$)	惯性力矩 Moment of inertia ($\leq \phi 14$)	惯性力矩 Moment of inertia ($\leq \phi 19$)	惯性力矩 Moment of inertia ($\leq \phi 28$)
			容许最大 径向负荷 Maximum radial load [N]	容许最大 轴向负荷 Maximum axial load [N]		[kgcm ²]	[kgcm ²]	kgcm ²	kgcm ²
090	1段 Single	4	3300	1700	3.6	-	0.77	1.2	2.9
		5	3300	1700		-	0.58	1.0	2.9
		6	3300	1700		-	0.48	0.94	2.8
		7	3300	1700		-	0.41	0.88	2.8
		8	3300	1700		-	0.37	0.84	2.8
		9	3300	1700		-	0.35	0.81	2.8
	2段 Double	10	3300	1700	-	0.33	0.80	2.8	
		16	3300	1700	4	0.16	0.31	0.75	-
		20	3300	1700		0.14	0.29	0.73	-
		25	3300	1700		0.13	0.28	0.72	-
		28	3300	1700		0.14	0.30	0.73	-
		35	3300	1700		0.13	0.28	0.72	-
		40	3300	1700		0.10	0.25	0.70	-
		45	3300	1700		0.12	0.27	0.71	-
		50	3300	1700		0.10	0.25	0.70	-
		60	3300	1700		0.099	0.25	0.70	-
		70	3300	1700		0.098	0.25	0.69	-
		80	3300	1700		0.098	0.25	0.69	-
90	3300	1700	0.098	0.25		0.69	-		
100	3300	1700	0.098	0.25	0.69	-			

- ※ 1 输入转速为额定转速时，使用寿命为20000小时的值
 ※ 2 启动、停止时容许的最大值
 ※ 3 发生撞击时容许的最大值（频率最高为1000次）
 ※ 4 运转过程中，额定输入转速的容许最大值
 ※ 5 在非连续运转条件下容许的最高输入转速
 ※ 6 输入转速为额定转速时，使用寿命为20000小时的值
 （作用于轴中央，轴向负荷为0时）
 ※ 7 输入转速为额定转速时，使用寿命为20000小时的值
 （作用于轴芯，径向负荷为0时）
 ※ 8 径向负荷的容许最大值
 ※ 9 轴向负荷的容许最大值
 ※ 10 因减速比和输入轴尺寸的不同而有所不同。

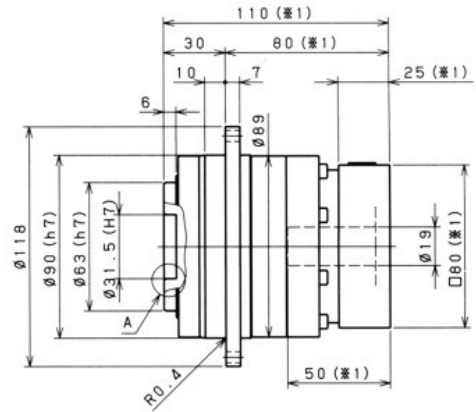
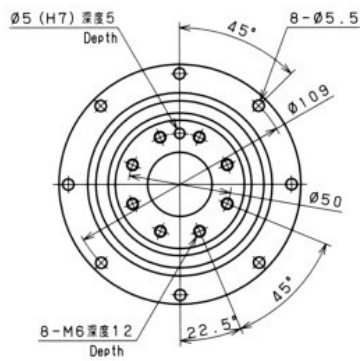
- ※ 1 With nominal input speed, service life is 20,000 hours.
 ※ 2 The maximum torque when starting and stopping.
 ※ 3 The maximum torque when it receives shock (up to 1,000 times)
 ※ 4 The maximum average input speed.
 ※ 5 The maximum momentary input speed.
 ※ 6 With this load and nominal input speed, service life will be 20,000 hours
 (Applied to the output shaft center, at axial load 0)
 ※ 7 With this load and nominal input speed, service life will be 20,000 hours
 (Applied to the output side bearing, at radial load 0)
 ※ 8 The maximum radial load the reducer can accept.
 ※ 9 The maximum axial load the reducer can accept.
 ※ 10 The weight may vary slightly model to model.

EPT-090 1段 1stage

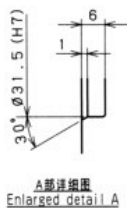
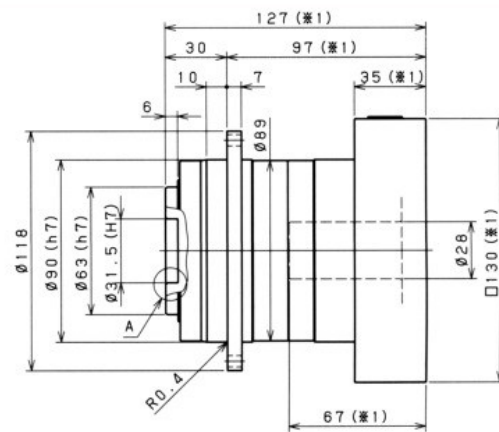
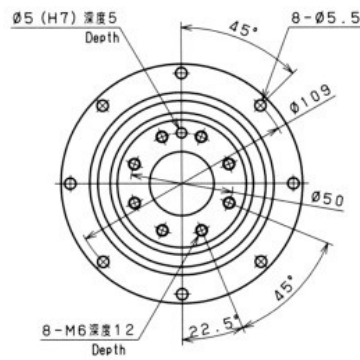
输入轴内径 Input shaft bore $\leq \phi 14$



输入轴内径 Input shaft bore $\leq \phi 19$



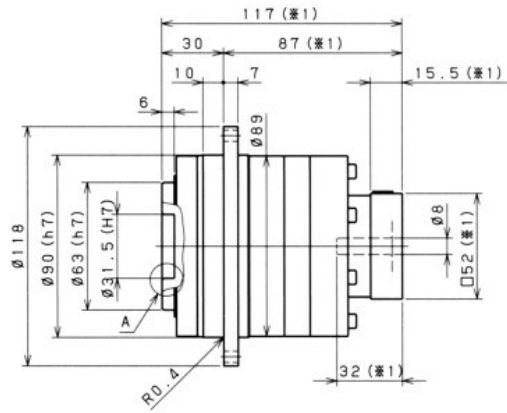
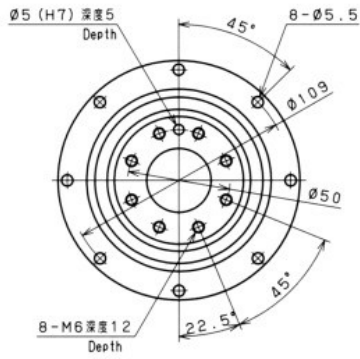
输入轴内径 Input shaft bore $\leq \phi 28$



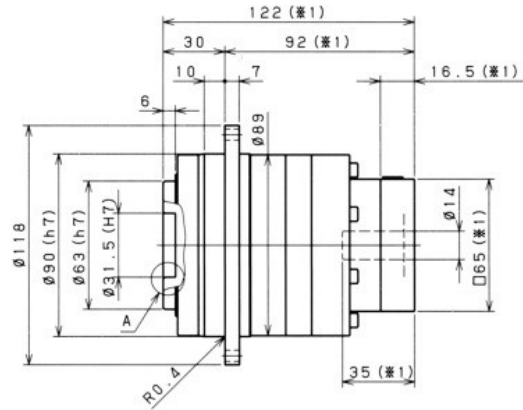
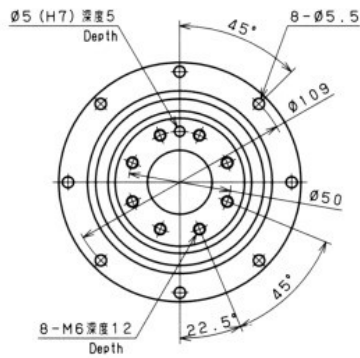
- ※ 1 随安装马达的不同而有所差异。
- ※ 2 马达轴径与输入轴径不同时，可插入轴套。
- ※ 1 Length will vary depending on motor.
- ※ 2 Bushing will be inserted to adapt to motor shaft.

EPT-090 2段 2stage

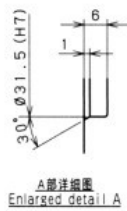
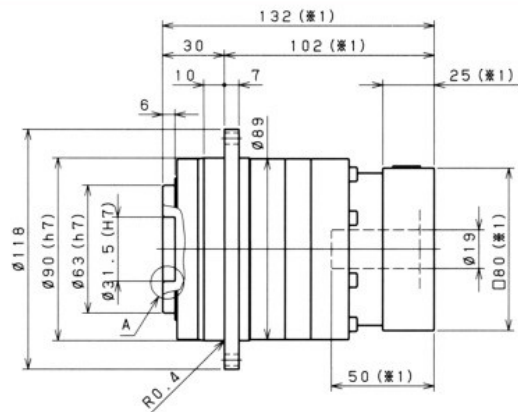
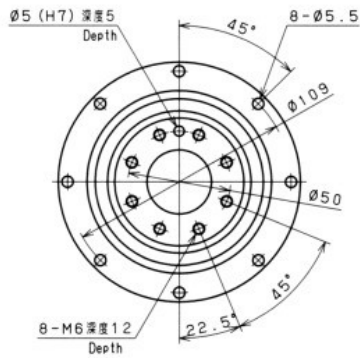
输入轴内径 Input shaft bore $\leq \phi 8$



输入轴内径 Input shaft bore $\leq \phi 14$



输入轴内径 Input shaft bore $\leq \phi 19$



- ※ 1 随安装马达的不同而有所差异。
- ※ 2 马达轴径与输入轴径不同时，可插入轴套。
- ※ 1 Length will vary depending on motor.
- ※ 2 Bushing will be inserted to adapt to motor shaft.

尺寸 Frame size	段位 Stage	减速比 Ratio	※1	※2	※3	※4	※5	※6	※7
			容许 额定扭矩 Nominal output torque	容许 最大扭矩 Maximum output torque	紧急时 最大扭矩 Emergency stop torque	容许额定 输入转速 Nominal input speed	容许最高 输入转速 Maximum input speed	容许 径向负荷 Permitted radial load	容许 轴向负荷 Permitted axial load
			[Nm]	[Nm]	[Nm]	[rpm]	[rpm]	[N]	[N]
110	1段 Single	4	120	330	625	3000	6000	4700	3200
		5	180	330	625	3000	6000	5000	3400
		7	180	330	625	3000	6000	5600	3800
		10	120	225	500	3000	6000	6200	4200
	2段 Double	16	180	330	625	3000	6000	7100	4800
		20	180	330	625	3000	6000	7600	5200
		25	180	330	625	3000	6000	8200	5500
		28	180	330	625	3000	6000	8500	5700
		35	180	330	625	3000	6000	9000	6100
		40	180	330	625	3000	6000	9400	6400
		50	180	330	625	3000	6000	10000	6800
		70	180	330	625	3000	6000	11000	7500
		100	120	225	500	3000	6000	12000	8400

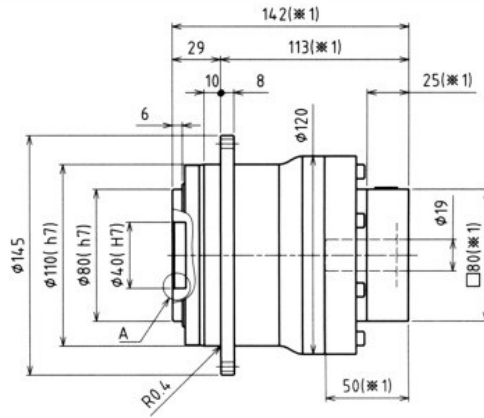
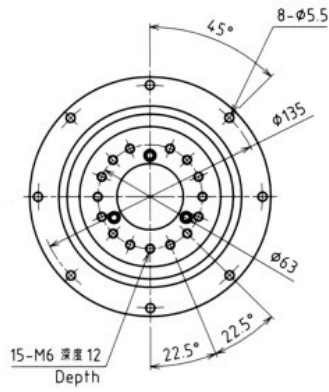
尺寸 Frame size	段位 Stage	减速比 Ratio	※8	※9	※10				
			容许最大 径向负荷 Maximum radial load	容许最大 轴向负荷 Maximum axial load	重量 Weight	惯性力矩 Moment of inertia ($\leq \phi 14$)	惯性力矩 Moment of inertia ($\leq \phi 19$)	惯性力矩 Moment of inertia ($\leq \phi 28$)	惯性力矩 Moment of inertia ($\leq \phi 38$)
			[N]	[N]	[kg]	[kgcm ²]	[kgcm ²]	kgcm ²	kgcm ²
110	1段 Single	4	12000	8800	7.8	-	3.1	5.1	13
		5	12000	8800		-	2.3	4.3	12
		7	12000	8800		-	1.5	3.5	11
		10	12000	8800		-	1.1	3.1	11
	2段 Double	16	12000	8800	8.6	1.0	1.5	3.4	-
		20	12000	8800		0.8	1.2	3.1	-
		25	12000	8800		0.7	1.2	3.1	-
		28	12000	8800		0.9	1.4	3.3	-
		35	12000	8800		0.7	1.1	3.1	-
		40	12000	8800		0.4	0.8	2.8	-
		50	12000	8800		0.4	0.8	2.8	-
		70	12000	8800		0.4	0.8	2.7	-
		100	12000	8800		0.4	0.8	2.7	-

- ※1 输入转速为额定转速时,使用寿命为20000小时的值
 ※2 启动、停止时容许的最大值
 ※3 发生撞击时容许的最大值(频率最高为1000次)
 ※4 运转过程中,额定输入转速的容许最大值
 ※5 在非连续运转条件下容许的最高输入转速
 ※6 输入转速为额定转速时,使用寿命为20000小时的值
 (作用于轴中央,轴向负荷为0时)
 ※7 输入转速为额定转速时,使用寿命为20000小时的值
 (作用于轴芯,径向负荷为0时)
 ※8 径向负荷的容许最大值
 ※9 轴向负荷的容许最大值
 ※10 因减速比和输入轴尺寸的不同而有所不同。

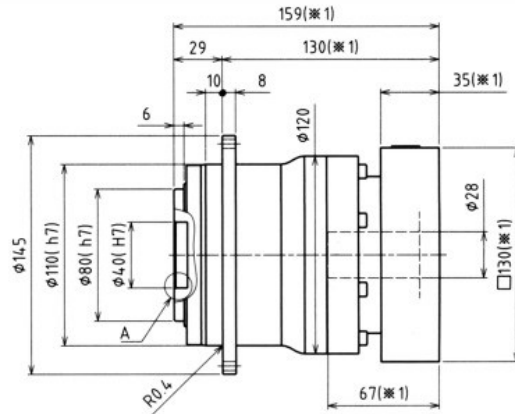
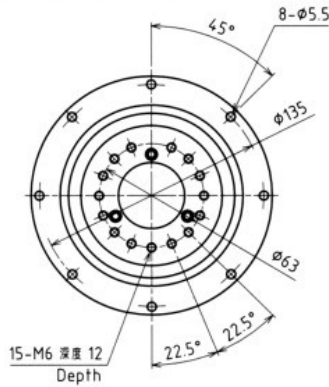
- ※1 With nominal input speed, service life is 20,000 hours.
 ※2 The maximum torque when starting and stopping.
 ※3 The maximum torque when it receives shock (up to 1,000 times)
 ※4 The maximum average input speed.
 ※5 The maximum momentary input speed.
 ※6 With this load and nominal input speed, service life will be 20,000 hours
 (Applied to the output shaft center, at axial load 0)
 ※7 With this load and nominal input speed, service life will be 20,000 hours
 (Applied to the output side bearing, at radial load 0)
 ※8 The maximum radial load the reducer can accept.
 ※9 The maximum axial load the reducer can accept.
 ※10 The weight may vary slightly model to model.

EPT-110 1段 1stage

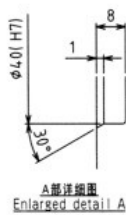
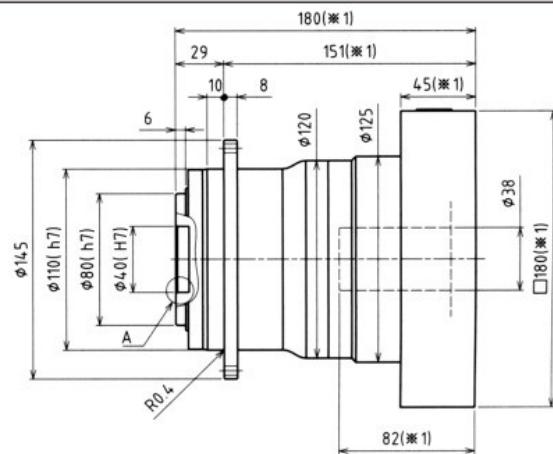
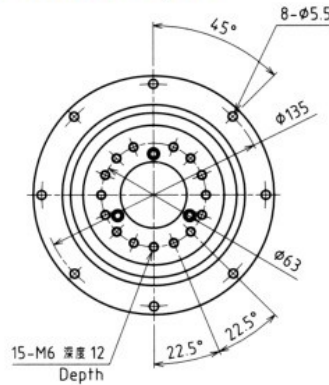
输入轴内径 Input shaft bore $\leq \phi 19$



输入轴内径 Input shaft bore $\leq \phi 28$



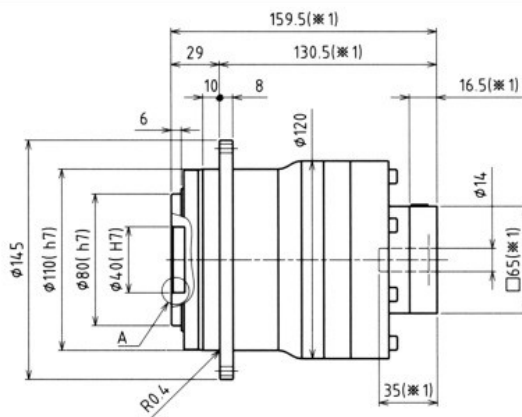
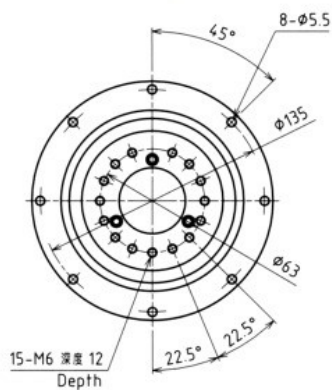
输入轴内径 Input shaft bore $\leq \phi 38$



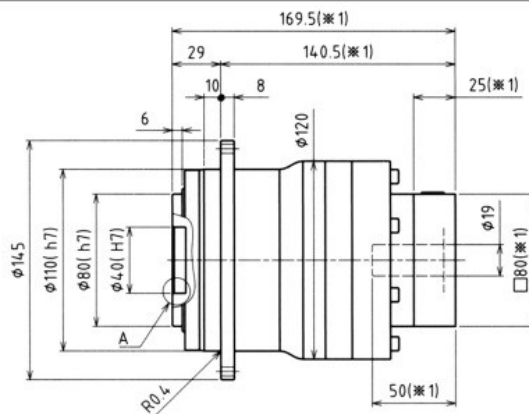
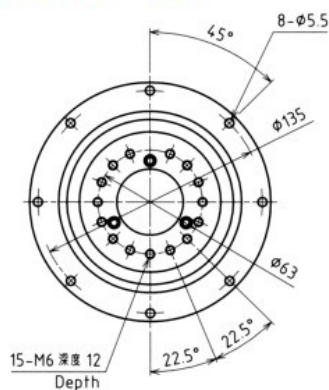
- ※ 1 随安装马达的不同而有所差异。
- ※ 2 马达轴径与输入轴径不同时，可插入轴套。
- ※ 1 Length will vary depending on motor.
- ※ 2 Bushing will be inserted to adapt to motor shaft.

EPT-110 2段 2stage

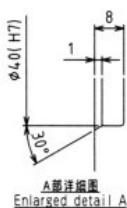
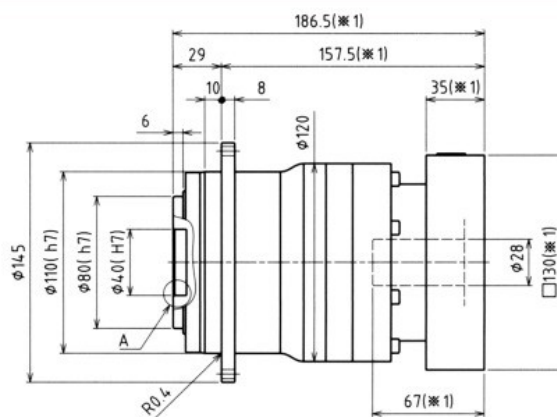
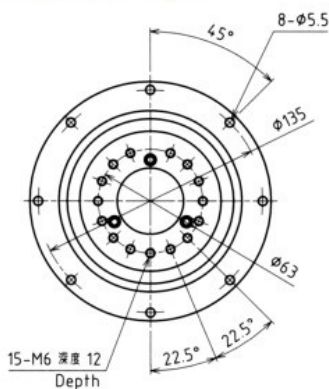
输入轴内径 Input shaft bore $\leq \phi 14$



输入轴内径 Input shaft bore $\leq \phi 19$



输入轴内径 Input shaft bore $\leq \phi 28$



- ※ 1 随安装马达的不同而有所差异。
- ※ 2 马达轴径与输入轴径不同时，可插入轴套。
- ※ 1 Length will vary depending on motor.
- ※ 2 Bushing will be inserted to adapt to motor shaft.

尺寸 Frame size	段位 Stage	减速比 Ratio	※1	※2	※3	※4	※5	※6	※7
			容许 额定扭矩 Nominal output torque	容许 最大扭矩 Maximum output torque	紧急时 最大扭矩 Emergency stop torque	容许额定 输入转速 Nominal input speed	容许最高 输入转速 Maximum input speed	容许 径向负荷 Permitted radial load	容许 轴向负荷 Permitted axial load
			[Nm]	[Nm]	[Nm]	[rpm]	[rpm]	[N]	[N]
140	1段 Single	4	240	700	1250	2000	4000	8000	5600
		5	360	700	1250	2000	4000	8500	6000
		7	360	700	1250	2000	4000	9400	6700
		10	240	470	1000	2000	4000	10000	7400
	2段 Double	16	360	700	1250	2000	4000	12000	8500
		20	360	700	1250	2000	4000	13000	9100
		25	360	700	1250	2000	4000	14000	9800
		28	360	700	1250	2000	4000	14000	10000
		35	360	700	1250	2000	4000	15000	11000
		40	360	700	1250	2000	4000	16000	11000
		50	360	700	1250	2000	4000	17000	12000
		70	360	700	1250	2000	4000	19000	13000
		100	240	470	1000	2000	4000	19000	14000

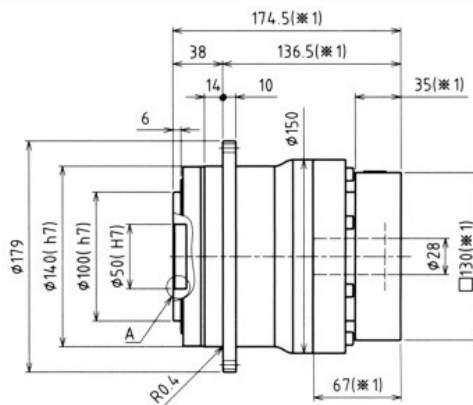
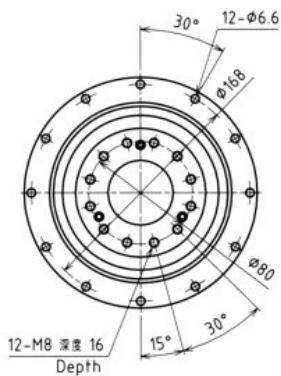
尺寸 Frame size	段位 Stage	减速比 Ratio	※8	※9	※10				
			容许最大 径向负荷 Maximum radial load	容许最大 轴向负荷 Maximum axial load	重量 Weight	惯性力矩 Moment of inertia ($\leq \phi 19$)	惯性力矩 Moment of inertia ($\leq \phi 28$)	惯性力矩 Moment of inertia ($\leq \phi 38$)	惯性力矩 Moment of inertia ($\leq \phi 48$)
			[N]	[N]	[kg]	[kgcm ²]	[kgcm ²]	kgcm ²	kgcm ²
140	1段 Single	4	19000	14000	15	-	11.0	18	33
		5	19000	14000		-	7.7	14	29
		7	19000	14000		-	5.1	12	27
		10	19000	14000		-	3.8	10	25
	2段 Double	16	19000	14000	17	3.8	5.5	12	-
		20	19000	14000		2.6	4.3	11	-
		25	19000	14000		2.5	4.2	11	-
		28	19000	14000		3.4	5.1	11	-
		35	19000	14000		2.4	4.1	10	-
		40	19000	14000		1.1	2.9	9.2	-
		50	19000	14000		1.1	2.9	9.1	-
		70	19000	14000		1.1	2.8	9.1	-
		100	19000	14000		1.1	2.8	9.1	-

- ※ 1 输入转速为额定转速时，使用寿命为20000小时的值
 ※ 2 启动、停止时容许的最大值
 ※ 3 发生撞击时容许的最大值（频率最高为1000次）
 ※ 4 运转过程中，额定输入转速的容许最大值
 ※ 5 在非连续运转条件下容许的最高输入转速
 ※ 6 输入转速为额定转速时，使用寿命为20000小时的值
 （作用于轴中央，轴向负荷为0时）
 ※ 7 输入转速为额定转速时，使用寿命为20000小时的值
 （作用于轴芯，径向负荷为0时）
 ※ 8 径向负荷的容许最大值
 ※ 9 轴向负荷的容许最大值
 ※ 10 因减速比和输入轴尺寸的不同而有所不同。

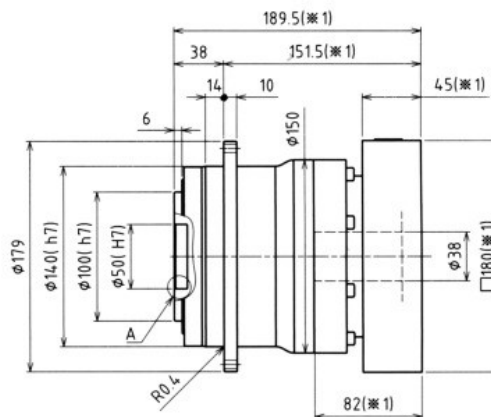
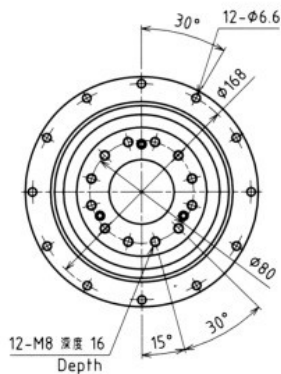
- ※ 1 With nominal input speed, service life is 20,000 hours.
 ※ 2 The maximum torque when starting and stopping.
 ※ 3 The maximum torque when it receives shock (up to 1,000 times)
 ※ 4 The maximum average input speed.
 ※ 5 The maximum momentary input speed.
 ※ 6 With this load and nominal input speed, service life will be 20,000 hours
 (Applied to the output shaft center, at axial load 0)
 ※ 7 With this load and nominal input speed, service life will be 20,000 hours
 (Applied to the output side bearing, at radial load 0)
 ※ 8 The maximum radial load the reducer can accept.
 ※ 9 The maximum axial load the reducer can accept.
 ※ 10 The weight may vary slightly model to model.

EPT-140 1段 1stage

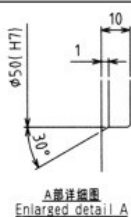
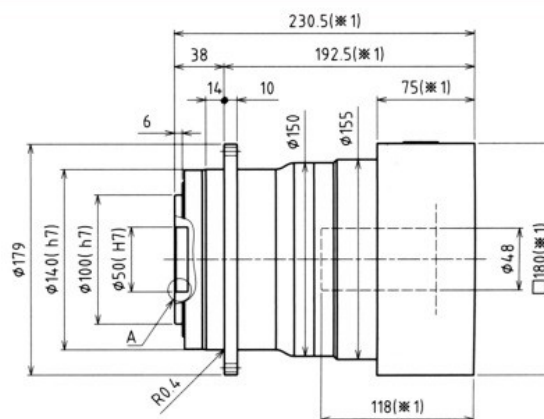
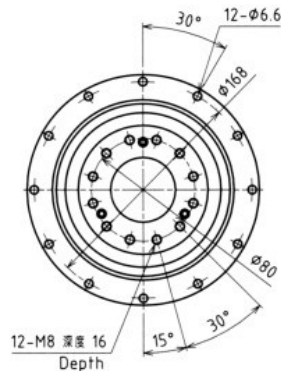
输入轴内径 Input shaft bore $\leq \phi 28$



输入轴内径 Input shaft bore $\leq \phi 38$



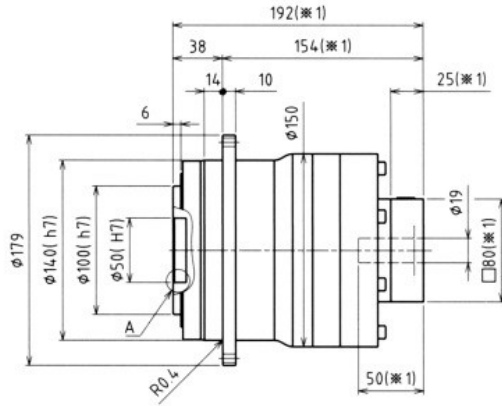
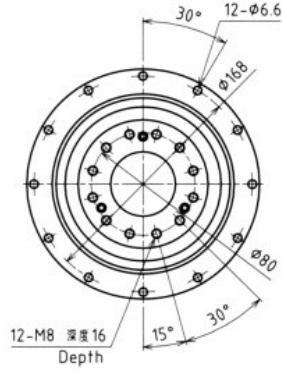
输入轴内径 Input shaft bore $\leq \phi 48$



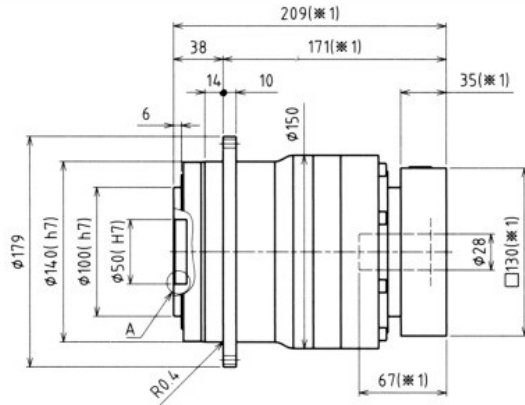
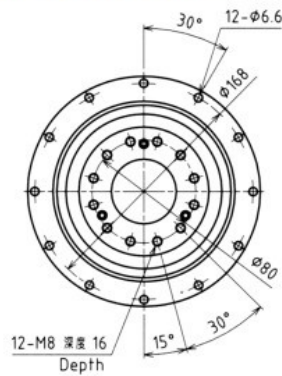
- ※ 1 随安装马达的不同而有所差异。
- ※ 2 马达轴径与输入轴径不同时，可插入轴套。
- ※ 1 Length will vary depending on motor.
- ※ 2 Bushing will be inserted to adapt to motor shaft.

EPT-140 2段 2stage

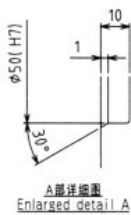
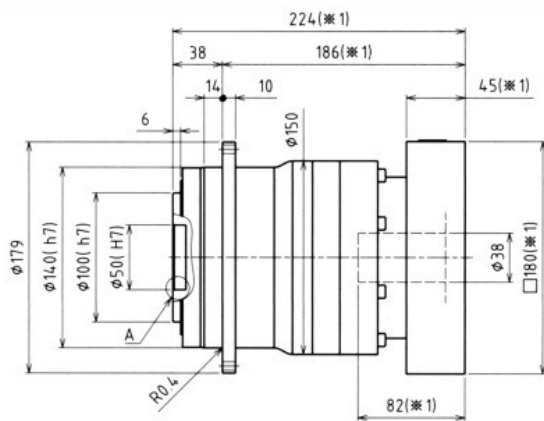
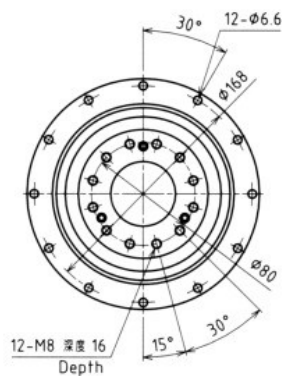
输入轴内径 Input shaft bore $\leq \phi 19$



输入轴内径 Input shaft bore $\leq \phi 28$



输入轴内径 Input shaft bore $\leq \phi 38$



※ 1 随安装马达的不同而有所差异。

※ 2 马达轴径与输入轴径不同时，可插入轴套。

※ 1 Length will vary depending on motor.

※ 2 Bushing will be inserted to adapt to motor shaft.

尺寸 Frame size	段位 Stage	减速比 Ratio	※1	※2	※3	※4	※5	※6	※7
			容许 额定扭矩 Nominal output torque	容许 最大扭矩 Maximum output torque	紧急时 最大扭矩 Emergency stop torque	容许额定 输入转速 Nominal input speed	容许最高 输入转速 Maximum input speed	容许 径向负荷 Permitted radial load	容许 轴向负荷 Permitted axial load
			[Nm]	[Nm]	[Nm]	[rpm]	[rpm]	[N]	[N]
200	1段 Single	4	750	1400	2750	1500	3000	18000	12000
		5	750	1400	2750	1500	3000	19000	13000
		7	750	1400	2750	1500	3000	21000	14000
		10	500	970	2200	1500	3000	23000	16000
	2段 Double	16	750	1400	2750	1500	3000	27000	18000
		20	750	1400	2750	1500	3000	28000	19000
		25	750	1400	2750	1500	3000	30000	21000
		28	750	1400	2750	1500	3000	31000	21000
		35	750	1400	2750	1500	3000	34000	23000
		40	750	1400	2750	1500	3000	35000	24000
		50	750	1400	2750	1500	3000	37000	25000
		70	750	1400	2750	1500	3000	40000	28000
		100	500	970	2200	1500	3000	40000	30000

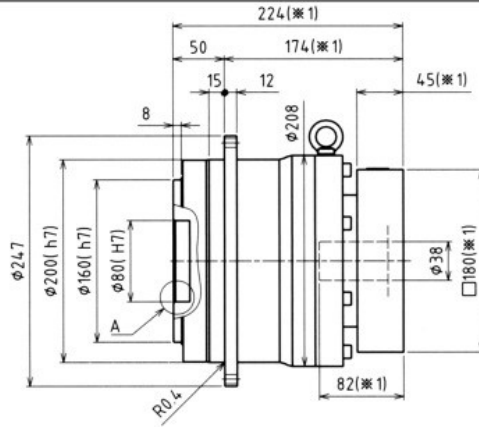
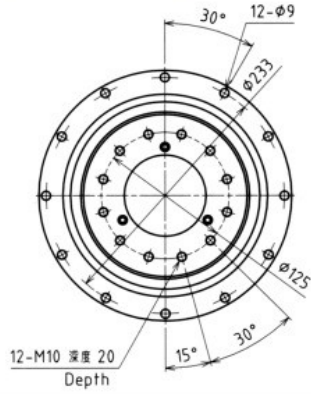
尺寸 Frame size	段位 Stage	减速比 Ratio	※8	※9	※10	惯性力矩 Moment of inertia ($\leq \phi 28$)	惯性力矩 Moment of inertia ($\leq \phi 38$)	惯性力矩 Moment of inertia ($\leq \phi 48$)	惯性力矩 Moment of inertia ($\leq \phi 65$)
			容许最大 径向负荷 Maximum radial load	容许最大 轴向负荷 Maximum axial load	重量 Weight				
			[N]	[N]	[kg]				
200	1段 Single	4	40000	30000	42	-	54	76	140
		5	40000	30000		-	39	61	120
		7	40000	30000		-	25	47	110
		10	40000	30000		-	18	40	100
	2段 Double	16	40000	30000	43	13	21	43	-
		20	40000	30000		9.4	17	39	-
		25	40000	30000		8.8	16	38	-
		28	40000	30000		11	19	41	-
		35	40000	30000		8.2	16	38	-
		40	40000	30000		4.4	12	34	-
		50	40000	30000		4.2	12	34	-
		70	40000	30000		4.1	12	34	-
		100	40000	30000		4.0	12	34	-

- ※1 输入转速为额定转速时,使用寿命为20000小时的值
 ※2 启动、停止时容许的最大值
 ※3 发生撞击时容许的最大值(频率最高为1000次)
 ※4 运转过程中,额定输入转速的容许最大值
 ※5 在非连续运转条件下容许的最高输入转速
 ※6 输入转速为额定转速时,使用寿命为20000小时的值
 (作用于轴中央,轴向负荷为0时)
 ※7 输入转速为额定转速时,使用寿命为20000小时的值
 (作用于轴芯,径向负荷为0时)
 ※8 径向负荷的容许最大值
 ※9 轴向负荷的容许最大值
 ※10 因减速比和输入轴尺寸的不同而有所不同。

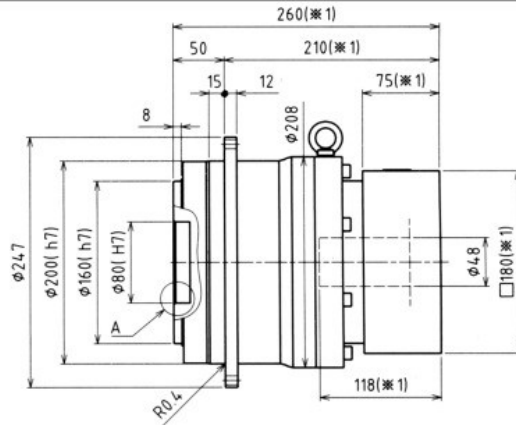
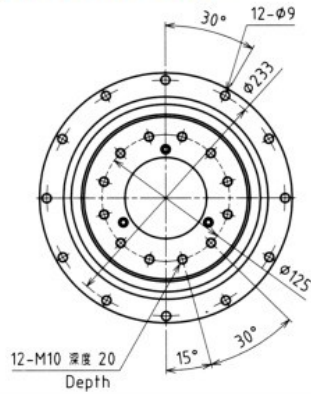
- ※1 With nominal input speed, service life is 20,000 hours.
 ※2 The maximum torque when starting and stopping.
 ※3 The maximum torque when it receives shock (up to 1,000 times)
 ※4 The maximum average input speed.
 ※5 The maximum momentary input speed.
 ※6 With this load and nominal input speed, service life will be 20,000 hours
 (Applied to the output shaft center, at axial load 0)
 ※7 With this load and nominal input speed, service life will be 20,000 hours
 (Applied to the output side bearing, at radial load 0)
 ※8 The maximum radial load the reducer can accept.
 ※9 The maximum axial load the reducer can accept.
 ※10 The weight may vary slightly model to model.

EPT-200 1段 1stage

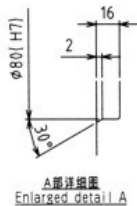
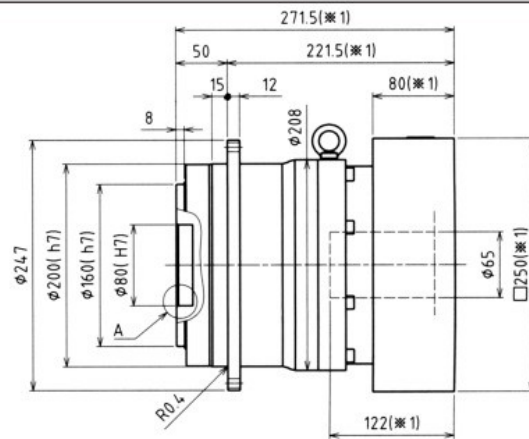
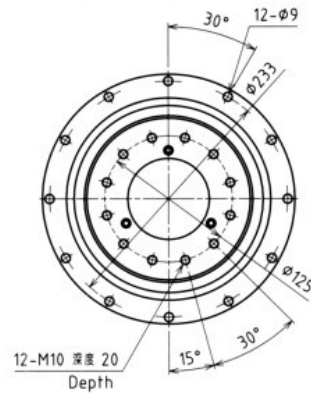
输入轴内径 Input shaft bore $\leq \phi 38$



输入轴内径 Input shaft bore $\leq \phi 48$



输入轴内径 Input shaft bore $\leq \phi 65$



A部详细图
Enlarged detail A

※ 1 随安装马达的不同而有所差异。

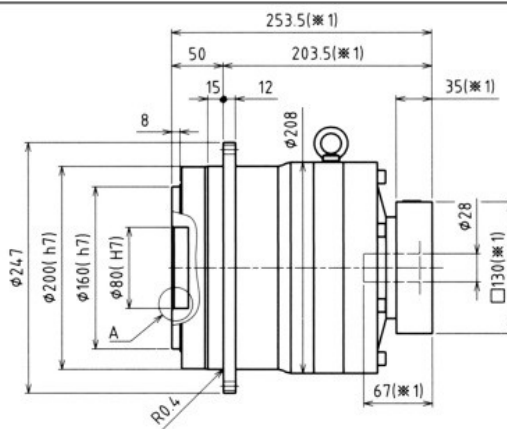
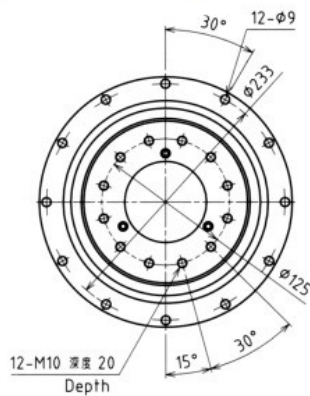
※ 2 马达轴径与输入轴径不同时，可插入轴套。

※ 1 Length will vary depending on motor.

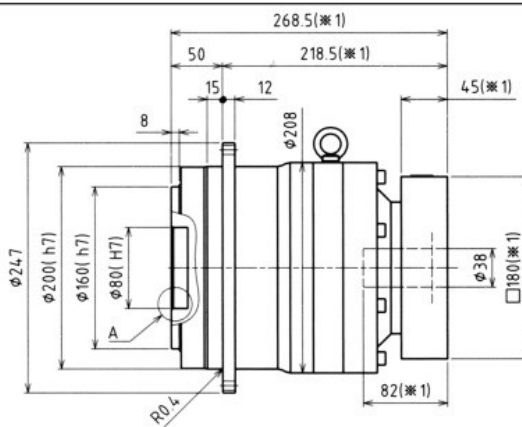
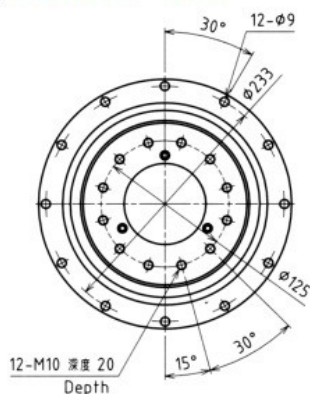
※ 2 Bushing will be inserted to adapt to motor shaft.

EPT-200 2段 2stage

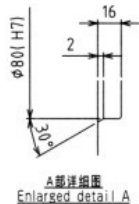
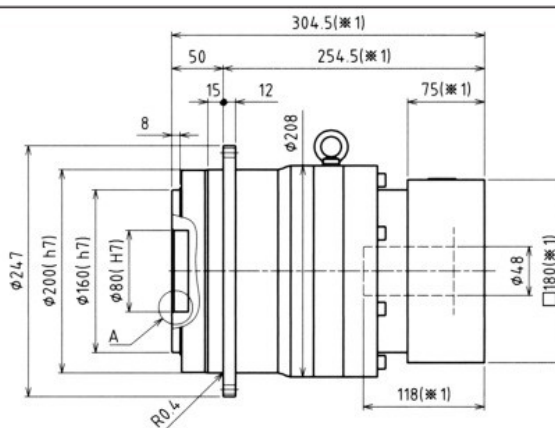
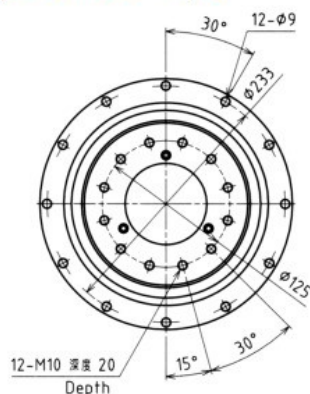
输入轴内径 Input shaft bore $\leq \phi 28$



输入轴内径 Input shaft bore $\leq \phi 38$



输入轴内径 Input shaft bore $\leq \phi 48$



- ※ 1 随安装马达的不同而有所差异。
- ※ 2 马达轴径与输入轴径不同时，可插入轴套。
- ※ 1 Length will vary depending on motor.
- ※ 2 Bushing will be inserted to adapt to motor shaft.

尺寸 Frame size	段位 Stage	减速比 Ratio	※1	※2	※3	※4	※5	※6	※7
			容许 额定扭矩 Nominal output torque	容许 最大扭矩 Maximum output torque	紧急时 最大扭矩 Emergency stop torque	容许额定 输入转速 Nominal input speed	容许最高 输入转速 Maximum input speed	容许 径向负荷 Permitted radial load	容许 轴向负荷 Permitted axial load
			[Nm]	[Nm]	[Nm]	[rpm]	[rpm]	[N]	[N]
255	1段 Single	4	2400	3700	8000	1000	2000	31000	22000
		5	2400	3700	8000	1000	2000	33000	24000
		7	2400	3700	8000	1000	2000	36000	26000
		10	1600	2600	6000	1000	2000	40000	29000
	2段 Double	16	2400	3700	8000	1000	2000	46000	34000
		20	2400	3700	8000	1000	2000	49000	36000
		25	2400	3700	8000	1000	2000	53000	38000
		28	2400	3700	8000	1000	2000	55000	40000
		35	2400	3700	8000	1000	2000	59000	42000
		40	2400	3700	8000	1000	2000	61000	44000
		50	2400	3700	8000	1000	2000	64000	47000
		70	2400	3700	8000	1000	2000	64000	48000
		100	1600	1800	6000	1000	2000	64000	48000

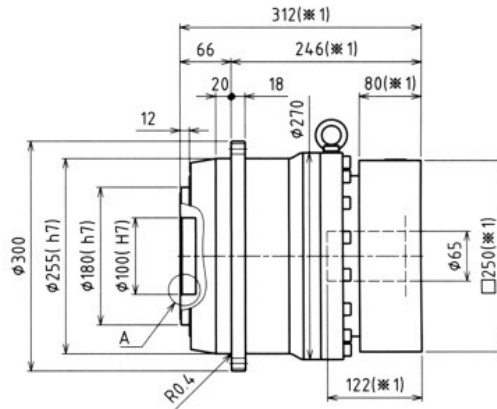
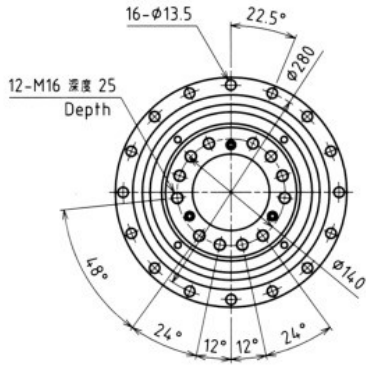
尺寸 Frame size	段位 Stage	减速比 Ratio	※8	※9	※10		
			容许最大 径向负荷 Maximum radial load	容许最大 轴向负荷 Maximum axial load	重量 Weight	惯性力矩 Moment of inertia ($\leq \phi 48$)	惯性力矩 Moment of inertia ($\leq \phi 65$)
			[N]	[N]	[kg]	kgcm ²	kgcm ²
255	1段 Single	4	64000	48000	84	-	200
		5	64000	48000		-	170
		7	64000	48000		-	130
		10	64000	48000		-	110
	2段 Double	16	64000	48000	89	64	-
		20	64000	48000		53	-
		25	64000	48000		51	-
		28	64000	48000		59	-
		35	64000	48000		50	-
		40	64000	48000		38	-
		50	64000	48000		38	-
		70	64000	48000		37	-
		100	64000	48000		37	-

- ※ 1 输入转速为额定转速时，使用寿命为20000小时的值
- ※ 2 启动、停止时容许的最大值
- ※ 3 发生撞击时容许的最大值（频率最高为1000次）
- ※ 4 运转过程中，额定输入转速的容许最大值
- ※ 5 在非连续运转条件下容许的最高输入转速
- ※ 6 输入转速为额定转速时，使用寿命为20000小时的值（作用于轴中央，轴向负荷为0时）
- ※ 7 输入转速为额定转速时，使用寿命为20000小时的值（作用于轴芯，径向负荷为0时）
- ※ 8 径向负荷的容许最大值
- ※ 9 轴向负荷的容许最大值
- ※10 因减速比和输入轴尺寸的不同而有所不同。

- ※ 1 With nominal input speed, service life is 20,000 hours.
- ※ 2 The maximum torque when starting and stopping.
- ※ 3 The maximum torque when it receives shock (up to 1,000 times)
- ※ 4 The maximum average input speed.
- ※ 5 The maximum momentary input speed.
- ※ 6 With this load and nominal input speed, service life will be 20,000 hours (Applied to the output shaft center, at axial load 0)
- ※ 7 With this load and nominal input speed, service life will be 20,000 hours (Applied to the output side bearing, at radial load 0)
- ※ 8 The maximum radial load the reducer can accept.
- ※ 9 The maximum axial load the reducer can accept.
- ※ 10 The weight may vary slightly model to model.

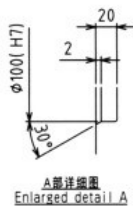
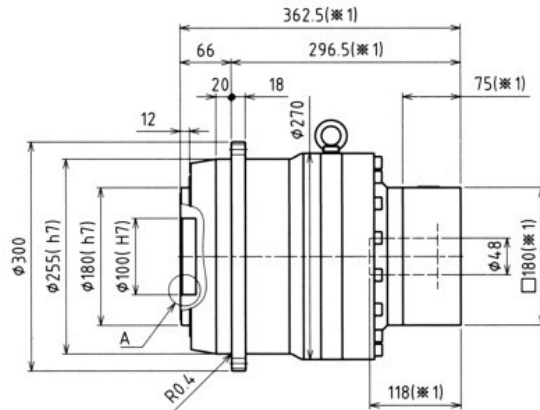
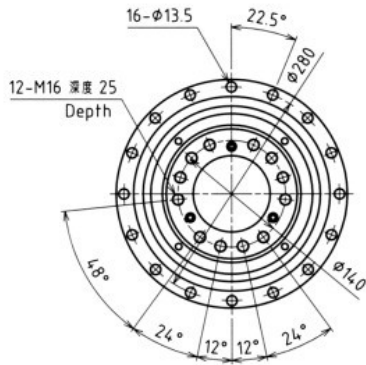
EPT-255 1段 1stage

输入轴内径 Input shaft bore $\leq \phi 65$



EPT-255 2段 2stage

输入轴内径 Input shaft bore $\leq \phi 48$



- ※ 1 随安装马达的不同而有所差异。
- ※ 2 马达轴径与输入轴径不同时，可插入轴套。
- ※ 1 Length will vary depending on motor.
- ※ 2 Bushing will be inserted to adapt to motor shaft.

尺寸 Frame size	段位 Stage	减速比 Ratio	※1	※2	※3	※4	※5	※6	※7
			容许 额定扭矩 Nominal output torque	容许 最大扭矩 Maximum output torque	紧急时 最大扭矩 Emergency stop torque	容许额定 输入转速 Nominal input speed	容许最高 输入转速 Maximum input speed	容许 径向负荷 Permitted radial load	容许 轴向负荷 Permitted axial load
			[Nm]	[Nm]	[Nm]	[rpm]	[rpm]	[N]	[N]
285	1段 Single	4	3300	5300	12000	1000	2000	40000	34000
		5	3300	5300	12000	1000	2000	42000	36000
		7	3300	5300	12000	1000	2000	47000	40000
		10	2200	3700	10000	1000	2000	52000	45000
	2段 Double	16	2750	5300	12000	1000	2000	60000	51000
		20	3300	5300	12000	1000	2000	64000	55000
		25	3300	5300	12000	1000	2000	69000	59000
		28	3300	5300	12000	1000	2000	71000	61000
		35	3300	5300	12000	1000	2000	76000	64000
		40	3300	5300	12000	1000	2000	79000	64000
		50	3300	5300	12000	1000	2000	85000	64000
		70	3300	5300	12000	1000	2000	86000	64000
		100	2200	2500	10000	1000	2000	86000	64000

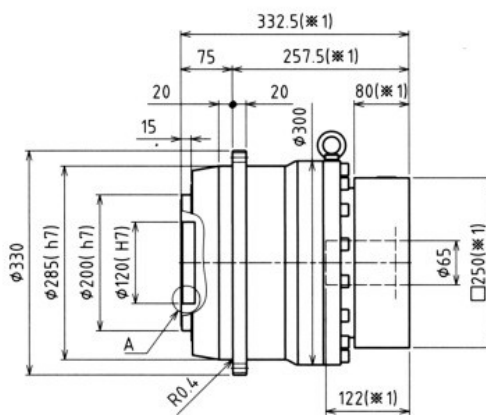
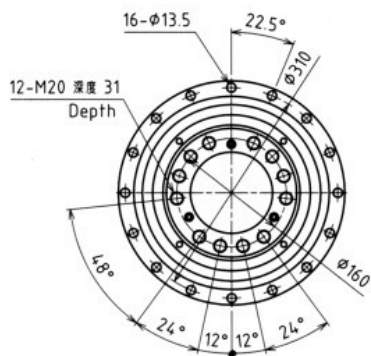
尺寸 Frame size	段位 Stage	减速比 Ratio	※8	※9	※10		
			容许最大 径向负荷 Maximum radial load	容许最大 轴向负荷 Maximum axial load	重量 Weight	惯性力矩 Moment of inertia ($\leq \phi 8$)	惯性力矩 Moment of inertia ($\leq \phi 14$)
			[N]	[N]			
285	1段 Single	4	86000	64000	110	-	300
		5	86000	64000		-	230
		7	86000	64000		-	160
		10	86000	64000		-	130
	2段 Double	16	86000	64000	120	69	-
		20	86000	64000		56	-
		25	86000	64000		54	-
		28	86000	64000		61	-
		35	86000	64000		51	-
		40	86000	64000		39	-
		50	86000	64000		38	-
		70	86000	64000		38	-
		100	86000	64000		37	-

- ※ 1 输入转速为额定转速时，使用寿命为20000小时的值
- ※ 2 启动、停止时容许的最大值
- ※ 3 发生撞击时容许的最大值（频率最高为1000次）
- ※ 4 运转过程中，额定输入转速的容许最大值
- ※ 5 在非连续运转条件下容许的最高输入转速
- ※ 6 输入转速为额定转速时，使用寿命为20000小时的值
(作用于轴中央，轴向负荷为0时)
- ※ 7 输入转速为额定转速时，使用寿命为20000小时的值
(作用于轴芯，径向负荷为0时)
- ※ 8 径向负荷的容许最大值
- ※ 9 轴向负荷的容许最大值
- ※10 因减速比和输入轴尺寸的不同而有所不同。

- ※ 1 With nominal input speed, service life is 20,000 hours.
- ※ 2 The maximum torque when starting and stopping.
- ※ 3 The maximum torque when it receives shock (up to 1,000 times)
- ※ 4 The maximum average input speed.
- ※ 5 The maximum momentary input speed.
- ※ 6 With this load and nominal input speed, service life will be 20,000 hours
(Applied to the output shaft center, at axial load 0)
- ※ 7 With this load and nominal input speed, service life will be 20,000 hours
(Applied to the output side bearing, at radial load 0)
- ※ 8 The maximum radial load the reducer can accept.
- ※ 9 The maximum axial load the reducer can accept.
- ※ 10 The weight may vary slightly model to model.

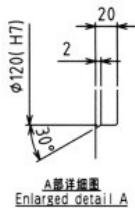
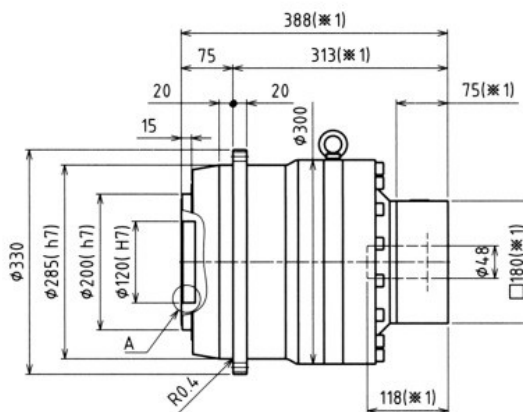
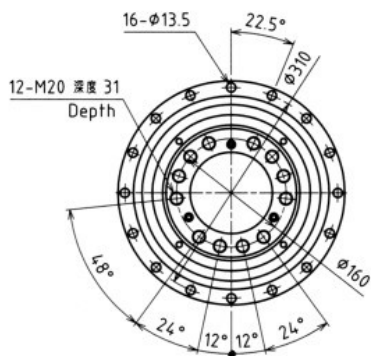
EPT-285 1段 1stage

输入轴内径 Input shaft bore $\leq \phi 65$

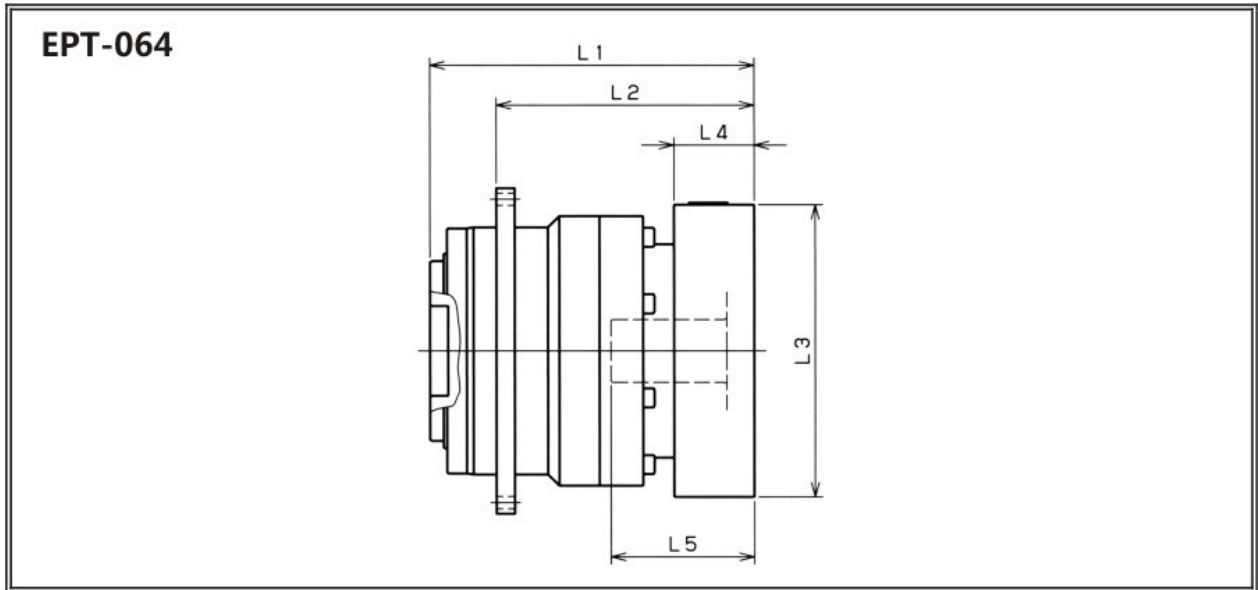


EPT-285 2段 2stage

输入轴内径 Input shaft bore $\leq \phi 48$



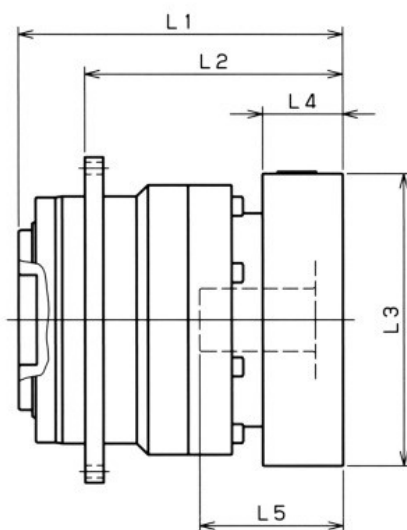
- ※ 1 随安装马达的不同而有所差异。
- ※ 2 马达轴径与输入轴径不同时，可插入轴套。
- ※ 1 Length will vary depending on motor.
- ※ 2 Bushing will be inserted to adapt to motor shaft.



型号 Model number	**: 输入法兰编号 ** : Input flange code	1段 Single					2段 Double				
		L1	L2	L3	L4	L5	L1	L2	L3	L4	L5
EPT-064-□-□-8** (输入轴内径 $\leq \phi 8$) Input shaft bore $\leq \phi 8$	AA·AC·AD·AF·AG	79	59.5	□52	15.5	32	98	78.5	□52	15.5	32
	AB·AE·AH·AJ·AK	84	64.5	□52	20.5	37	103	83.5	□52	20.5	37
	BA·BB·BD·BE	79	59.5	□60	15.5	32	98	78.5	□60	15.5	32
	BC·BF	84	64.5	□60	20.5	37	103	83.5	□60	20.5	37
	CA	84	64.5	□70	20.5	37	103	83.5	□70	20.5	37
EPT-064-□-□-14** (输入轴内径 $\leq \phi 14$) Input shaft bore $\leq \phi 14$	BA·BB·BD·BE·BF·BG·BJ·BK	82	62.5	□65	16.5	35	103	83.5	□65	16.5	35
	BC·BH·BM	87	67.5	□65	21.5	40	108	88.5	□65	21.5	40
	BL	92	72.5	□65	26.5	45	113	93.5	□65	26.5	45
	CA	82	62.5	□70	16.5	35	103	83.5	□70	16.5	35
	CB	87	67.5	□70	21.5	40	108	88.5	□70	21.5	40
	DA·DB·DC·DD·DF·DH	82	62.5	□80	16.5	35	103	83.5	□80	16.5	35
	DE	87	67.5	□80	21.5	40	108	88.5	□80	21.5	40
	DG	92	72.5	□80	26.5	45	113	93.5	□80	26.5	45
	EA·EB·EC	82	62.5	□90	16.5	35	103	83.5	□90	16.5	35
	ED	92	72.5	□90	26.5	45	113	93.5	□90	26.5	45
	FA	82	62.5	□100	16.5	35	103	83.5	□100	16.5	35
GA	82	62.5	□115	16.5	35	103	83.5	□115	16.5	35	
EPT-064-□-□-19** (输入轴内径 $\leq \phi 19$) Input shaft bore $\leq \phi 19$	DA·DB·DC	97	77.5	□80	25	50					
	DD	107	87.5	□80	35	60					
	DE	102	82.5	□80	30	55					
	EA	102	82.5	□90	30	55					
	EB	97	77.5	□90	25	50					
	EC	107	87.5	□90	35	60					
	FA	97	77.5	□100	25	50					
	FB	107	87.5	□100	35	60					
	GA·GC	102	82.5	□115	30	55					
	GB·GD	97	77.5	□115	25	50					
	HA	97	77.5	□130	25	50					
	HB	112	92.5	□130	40	65					
	HC·HD·HE	102	82.5	□130	30	55					

※ 1 1段减速: 1/4~1/10; 2段减速: 1/16~1/100
 ※ 2 马达轴径与输入轴径不同时, 可插入轴套。

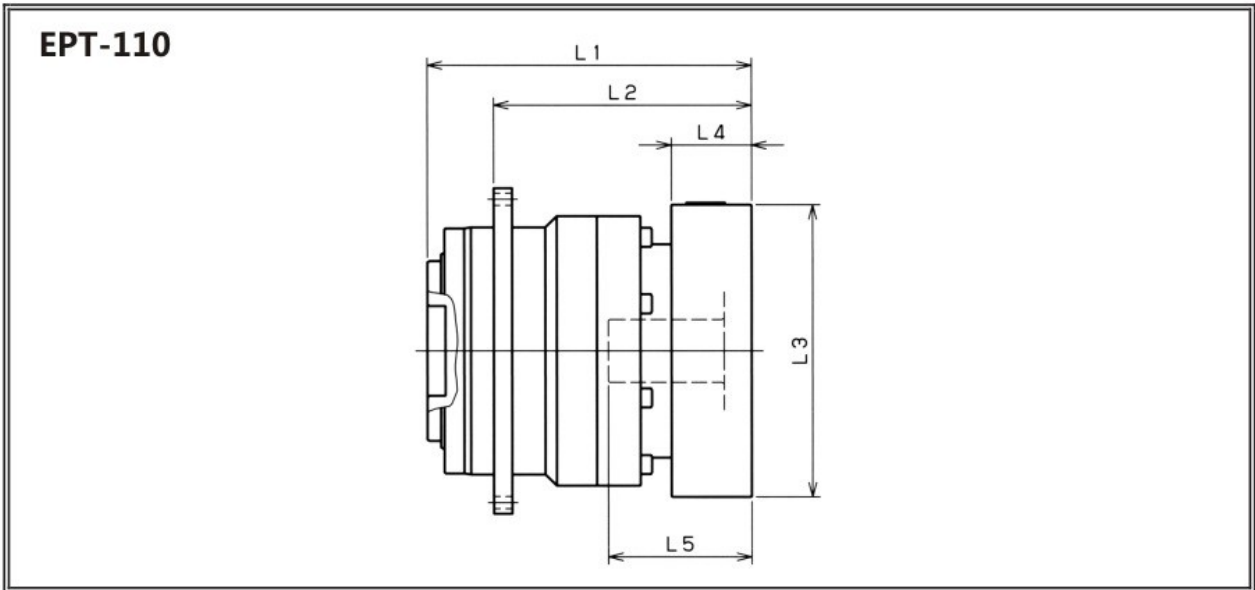
※ 1 Single reduction: 1/4~1/10, Double reduction: 1/16~1/100
 ※ 2 Bushing will be inserted to adapt to motor shaft.

EPT-090


型号 Model number	** : 输入法兰编号 ** : Input flange code	1段 Single					2段 Double				
		L1	L2	L3	L4	L5	L1	L2	L3	L4	L5
EPT-090 -□-□- 8 ** (输入轴内径 $\leq \phi 8$) Input shaft bore $\leq \phi 8$	AA·AC·AD·AF·AG	/	/	/	/	/	117	87	□52	15.5	32
	AB·AE·AH·AJ·AK	/	/	/	/	/	122	92	□52	20.5	37
	BA·BB·BD·BE	/	/	/	/	/	117	87	□60	15.5	32
	BC·BF	/	/	/	/	/	122	92	□60	20.5	37
	CA	/	/	/	/	/	122	92	□70	20.5	37
EPT-090 -□-□-14** (输入轴内径 $\leq \phi 14$) Input shaft bore $\leq \phi 14$	BA·BB·BD·BE·BF·BG·BJ·BK	100	70	□65	16.5	35	122	92	□65	16.5	35
	BC·BH·BM	105	75	□65	21.5	40	127	97	□65	21.5	40
	BL	110	80	□65	26.5	45	132	102	□65	26.5	45
	CA	100	70	□70	16.5	35	122	92	□70	16.5	35
	CB	105	75	□70	21.5	40	127	97	□70	21.5	40
	DA·DB·DC·DD·DF·DH	100	70	□80	16.5	35	122	92	□80	16.5	35
	DE	105	75	□80	21.5	40	127	97	□80	21.5	40
	DG	110	80	□80	26.5	45	132	102	□80	26.5	45
	EA·EB·EC	100	70	□90	16.5	35	122	92	□90	16.5	35
	ED	110	80	□90	26.5	45	132	102	□90	26.5	45
	FA	100	70	□100	16.5	35	122	92	□100	16.5	35
	GA	100	70	□115	16.5	35	122	92	□115	16.5	35
EPT-090 -□-□-19** (输入轴内径 $\leq \phi 19$) Input shaft bore $\leq \phi 19$	DA·DB·DC	110	80	□80	25	50	132	102	□80	25	50
	DD	120	90	□80	35	60	142	112	□80	35	60
	DE	115	85	□80	30	55	137	107	□80	30	55
	EA	115	85	□90	30	55	137	107	□90	30	55
	EB	110	80	□90	25	50	132	102	□90	25	50
	EC	120	90	□90	35	60	142	112	□90	35	60
	FA	110	80	□100	25	50	132	102	□100	25	50
	FB	120	90	□100	35	60	142	112	□100	35	60
	GA·GC	115	85	□115	30	55	137	107	□115	30	55
	GB·GD	110	80	□115	25	50	132	102	□115	25	50
	HA	110	80	□130	25	50	132	102	□130	25	50
	HB	125	95	□130	40	65	147	117	□130	40	65
HC·HD·HE	115	85	□130	30	55	137	107	□130	30	55	
EPT-090 -□-□-28** (输入轴内径 $\leq \phi 28$) Input shaft bore $\leq \phi 28$	FA·FB·FC	127	97	□100	35	67	/	/	/	/	/
	GA·GB·GC·GD·GE·GF·GG	127	97	□115	35	67	/	/	/	/	/
	HA·HC·HD	127	97	□130	35	67	/	/	/	/	/
	HB	137	107	□130	45	77	/	/	/	/	/
	JA·JB·JC	127	97	□150	35	67	/	/	/	/	/
	KA·KB	127	97	□180	35	67	/	/	/	/	/
	KD	137	107	□180	45	77	/	/	/	/	/
	LA	127	97	□200	35	67	/	/	/	/	/
MA	127	97	□220	35	67	/	/	/	/	/	

※ 1 1段减速: 1/4~1/10; 2段减速: 1/16~1/100
 ※ 2 马达轴径与输入轴径不同时, 可插入轴套。

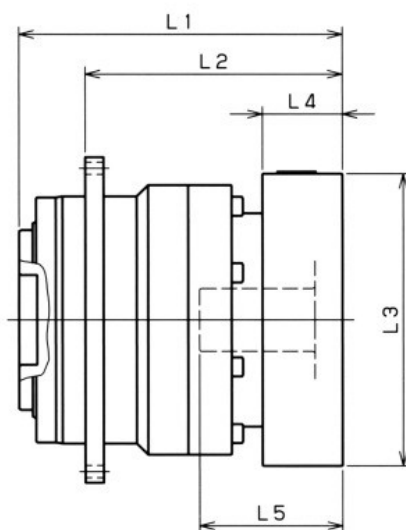
※ 1 Single reduction: 1/4~1/10, Double reduction: 1/16~1/100
 ※ 2 Bushing will be inserted to adapt to motor shaft.



型号 Model number	** : 输入法兰编号 ** : Input flange code	1段 Single					2段 Double					
		L1	L2	L3	L4	L5	L1	L2	L3	L4	L5	
EPT-110 -□-□-14** (输入轴内径 $\leq \phi 14$ Input shaft bore $\leq \phi 14$)	BA·BB·BD·BE·BF·BG·BJ·BK						159.5	130.5	□65	16.5	35	
	BC·BH·BM						164.5	135.5	□65	21.5	40	
	BL						169.5	140.5	□65	26.5	45	
	CA						159.5	130.5	□70	16.5	35	
	CB						164.5	135.5	□70	21.5	40	
	DA·DB·DC·DD·DF·DH						159.5	130.5	□80	16.5	35	
	DE						164.5	135.5	□80	21.5	40	
	DG						169.5	140.5	□80	26.5	45	
	EA·EB·EC						159.5	130.5	□90	16.5	35	
	ED						169.5	140.5	□90	26.5	45	
	FA						159.5	130.5	□100	16.5	35	
	GA						159.5	130.5	□115	16.5	35	
	EPT-110 -□-□-19** (输入轴内径 $\leq \phi 19$ Input shaft bore $\leq \phi 19$)	DA·DB·DC	142	113	□80	25	50	169.5	140.5	□80	25	50
		DD	152	123	□80	35	60	179.5	150.5	□80	35	60
DE		147	118	□80	30	55	174.5	145.5	□80	30	55	
EA		147	118	□90	30	55	174.5	145.5	□90	30	55	
EB		142	113	□90	25	50	169.5	140.5	□90	25	50	
EC		152	123	□90	35	60	179.5	150.5	□90	35	60	
FA		142	113	□100	25	50	169.5	140.5	□100	25	50	
FB		152	123	□100	35	60	179.5	150.5	□100	35	60	
GA·GC		147	118	□115	30	55	174.5	145.5	□115	30	55	
GB·GD		142	113	□115	25	50	169.5	140.5	□115	25	50	
HA		142	113	□130	25	50	169.5	140.5	□130	25	50	
HB		157	128	□130	40	65	184.5	155.5	□130	40	65	
HC·HD·HE		147	118	□130	30	55	174.5	145.5	□130	30	55	
EPT-110 -□-□-28** (输入轴内径 $\leq \phi 28$ Input shaft bore $\leq \phi 28$)	FA·FB·FC	159	130	□100	35	67	186.5	157.5	□100	35	67	
	GA·GB·GC·GD·GE·GF·GG	159	130	□115	35	67	186.5	157.5	□115	35	67	
	HA·HC·HD	159	130	□130	35	67	186.5	157.5	□130	35	67	
	HB	169	140	□130	45	77	196.5	167.5	□130	45	77	
	JA·JB·JC	159	130	□150	35	67	186.5	157.5	□150	35	67	
	KA·KB	159	130	□180	35	67	186.5	157.5	□180	35	67	
	KD	169	140	□180	45	77	196.5	167.5	□180	45	77	
	LA	159	130	□200	35	67	186.5	157.5	□200	35	67	
	MA	159	130	□220	35	67	186.5	157.5	□220	35	67	
	EPT-110 -□-□-38** (输入轴内径 $\leq \phi 38$ Input shaft bore $\leq \phi 38$)	HA	180	151	□130	45	82					
HB		175	146	□130	40	77						
JA		180	151	□150	45	82						
KA·KB·KC		180	151	□180	45	82						
LA		180	151	□200	45	82						
LB		190	161	□200	55	92						
MA·MB		180	151	□220	45	82						
NA		180	151	□250	45	82						

※ 1 1段减速 : 1/4~1/10; 2段减速 : 1/16~1/100
 ※ 2 马达轴径与输入轴径不同时, 可插入轴套。

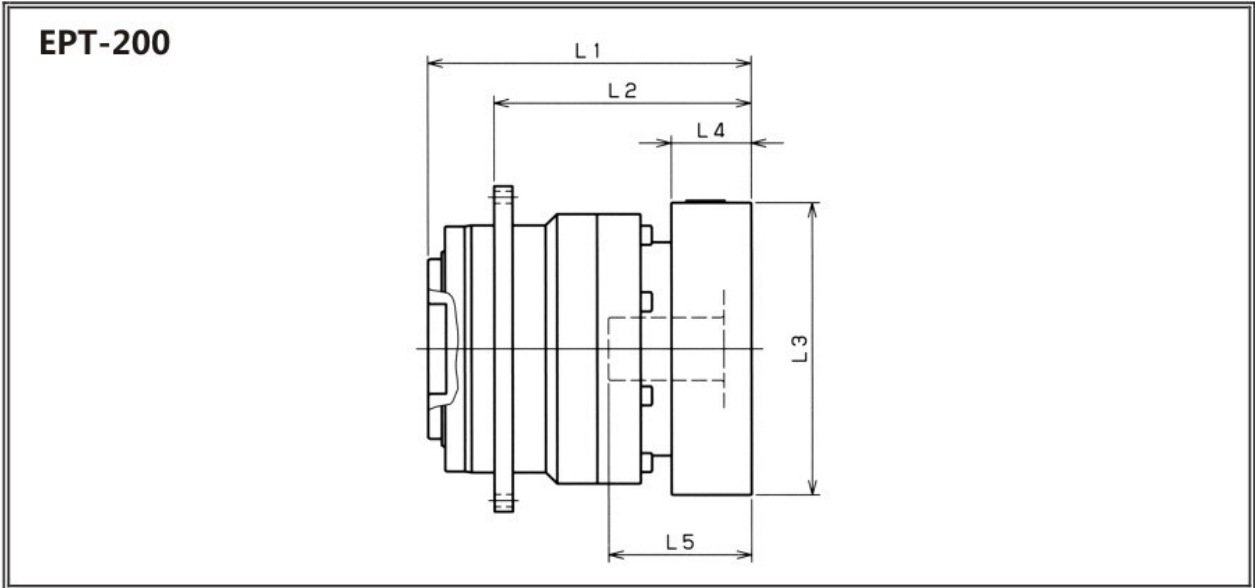
※ 1 Single reduction: 1/4~1/10, Double reduction: 1/16~1/100
 ※ 2 Bushing will be inserted to adapt to motor shaft.

EPT-140


型号 Model number	**: 输入法兰编号 **: Input flange code	1段 Single					2段 Double				
		L1	L2	L3	L4	L5	L1	L2	L3	L4	L5
EPT-140-□-□-19** (输入轴内径 $\leq \phi 19$) Input shaft bore $\leq \phi 19$	DA·DB·DC						192	154	□80	25	50
	DD						202	164	□80	35	60
	DE						197	159	□80	30	55
	EA						197	159	□90	30	55
	EB						192	154	□90	25	50
	EC						202	164	□90	35	60
	FA						192	154	□100	25	50
	FB						202	164	□100	35	60
	GA·GC						197	159	□115	30	55
	GB·GD						192	154	□115	25	50
	HA						192	154	□130	25	50
	HB						207	169	□130	40	65
	HC·HD·HE						197	159	□130	30	55
EPT-140-□-□-28** (输入轴内径 $\leq \phi 28$) Input shaft bore $\leq \phi 28$	FA·FB·FC	174.5	136.5	□100	35	67	209	171	□100	35	67
	GA·GB·GC·GD·GE·GF·GG	174.5	136.5	□115	35	67	209	171	□115	35	67
	HA·HC·HD	174.5	136.5	□130	35	67	209	171	□130	35	67
	HB	184.5	146.5	□130	45	77	219	181	□130	45	77
	JA·JB·JC	174.5	136.5	□150	35	67	209	171	□150	35	67
	KA·KB	174.5	136.5	□180	35	67	209	171	□180	35	67
	KD	184.5	146.5	□180	45	77	219	181	□180	45	77
	LA	174.5	136.5	□200	35	67	209	171	□200	35	67
MA	174.5	136.5	□220	35	67	209	171	□220	35	67	
EPT-140-□-□-38** (输入轴内径 $\leq \phi 38$) Input shaft bore $\leq \phi 38$	HA	189.5	151.5	□130	45	82	224	186	□130	45	82
	HB	184.5	146.5	□130	40	77	219	181	□130	40	77
	JA	189.5	151.5	□150	45	82	224	186	□150	45	82
	KA·KB·KC	189.5	151.5	□180	45	82	224	186	□180	45	82
	LA	189.5	151.5	□200	45	82	224	186	□200	45	82
	LB	199.5	161.5	□200	55	92	234	196	□200	55	92
	MA·MB	189.5	151.5	□220	45	82	224	186	□220	45	82
	NA	189.5	151.5	□250	45	82	224	186	□250	45	82
EPT-140-□-□-48** (输入轴内径 $\leq \phi 48$) Input shaft bore $\leq \phi 48$	KB·KC	210.5	172.5	□180	55	98					
	KA	230.5	192.5	□180	75	118					
	LA	210.5	172.5	□200	55	98					
	MA	210.5	172.5	□220	55	98					
	MB	230.5	192.5	□220	75	118					
	NA	230.5	192.5	□250	75	118					
	PA	230.5	192.5	□280	75	118					

※ 1 1段减速: 1/4~1/10; 2段减速: 1/16~1/100
 ※ 2 马达轴径与输入轴径不同时, 可插入轴套。

※ 1 Single reduction: 1/4~1/10, Double reduction: 1/16~1/100
 ※ 2 Bushing will be inserted to adapt to motor shaft.



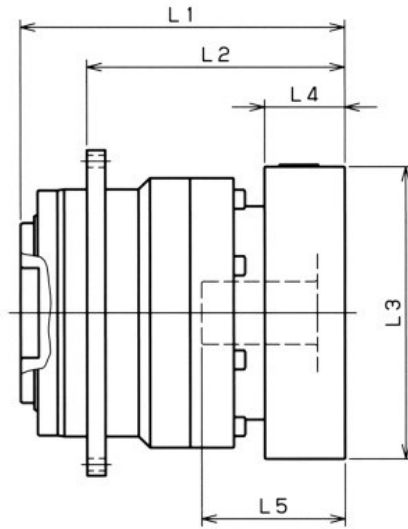
型号 Model number	** : 输入法兰编号 ** : Input flange code	1段 Single					2段 Double				
		L1	L2	L3	L4	L5	L1	L2	L3	L4	L5
EPT-200-□-□-28** (输入轴内径 ≤ φ28 Input shaft bore ≤ φ28)	FA·FB·FC						253.5	203.5	□100	35	67
	GA·GB·GC·GD·GE·GF·GG						253.5	203.5	□115	35	67
	HA·HC·HD						253.5	203.5	□130	35	67
	HB						263.5	213.5	□130	45	77
	JA·JB·JC						253.5	203.5	□150	35	67
	KA·KB						253.5	203.5	□180	35	67
	KD						263.5	213.5	□180	45	77
	LA						253.5	203.5	□200	35	67
EPT-200-□-□-38** (输入轴内径 ≤ φ38 Input shaft bore ≤ φ38)	MA						253.5	203.5	□220	35	67
	HA	224	174	□130	45	82	268.5	218.5	□130	45	82
	HB	219	169	□130	40	77	263.5	213.5	□130	40	77
	JA	224	174	□150	45	82	268.5	218.5	□150	45	82
	KA·KB·KC	224	174	□180	45	82	268.5	218.5	□180	45	82
	LA	224	174	□200	45	82	268.5	218.5	□200	45	82
	LB	234	184	□200	55	92	278.5	228.5	□200	55	92
	MA·MB	224	174	□220	45	82	268.5	218.5	□220	45	82
EPT-200-□-□-48** (输入轴内径 ≤ φ48 Input shaft bore ≤ φ48)	NA	224	174	□250	45	82	268.5	218.5	□250	45	82
	KB·KC	240	190	□180	55	98	284.5	234.5	□180	55	98
	KA	260	210	□180	75	118	304.5	254.5	□180	75	118
	LA	240	190	□200	55	98	284.5	234.5	□200	55	98
	MA	240	190	□220	55	98	284.5	234.5	□220	55	98
	MB	260	210	□220	75	118	304.5	254.5	□220	75	118
	NA	260	210	□250	75	118	304.5	254.5	□250	75	118
	PA	260	210	□280	75	118	304.5	254.5	□280	75	118
EPT-200-□-□-65** (输入轴内径 ≤ φ65 Input shaft bore ≤ φ65)	MA·MB·MC·MD	271.5	221.5	□220	80	122					
	NA	271.5	221.5	□250	80	122					
	PA	291.5	241.5	□280	100	142					
	PB	301.5	251.5	□280	110	152					
	QA	291.5	241.5	□320	100	142					

※ 1 1段减速 : 1/4 ~ 1/10; 2段减速 : 1/16 ~ 1/100
 ※ 2 马达轴径与输入轴径不同时, 可插入轴套。

※ 1 Single reduction: 1/4 ~ 1/10, Double reduction: 1/16 ~ 1/100
 ※ 2 Bushing will be inserted to adapt to motor shaft.

EPT

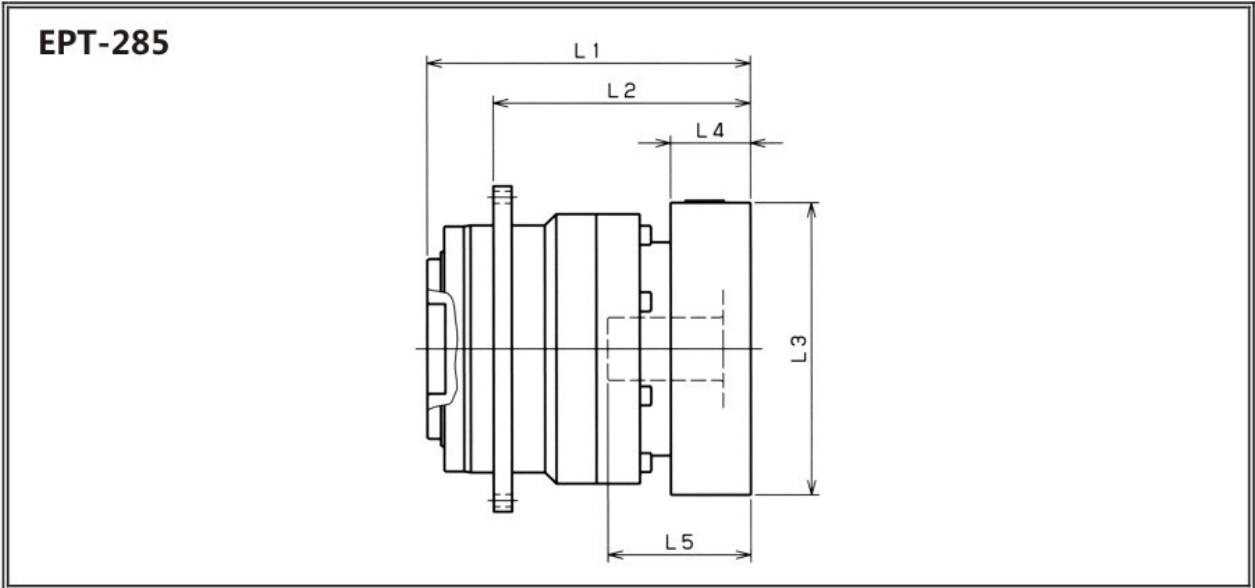
EPT-255



型号 Model number	**：输入法兰编号 **：Input flange code	1段 Single					2段 Double				
		L1	L2	L3	L4	L5	L1	L2	L3	L4	L5
EPT-255-□-□-48** (输入轴内径 ≤ φ48 Input shaft bore ≤ φ48)	KB·KC						342.5	276.5	□180	55	98
	KA						362.5	296.5	□180	75	118
	LA						342.5	276.5	□200	55	98
	MA						342.5	276.5	□220	55	98
	MB						362.5	296.5	□220	75	118
	NA						362.5	296.5	□250	75	118
	PA						362.5	296.5	□280	75	118
EPT-255-□-□-65** (输入轴内径 ≤ φ65 Input shaft bore ≤ φ65)	MA·MB·MC·MD	312	246	□220	80	122					
	NA	312	246	□250	80	122					
	PA	332	266	□280	100	142					
	PB	342	276	□280	110	152					
	QA	332	266	□320	100	142					

※ 1 1段减速：1/4~1/10；2段减速：1/16~1/100
 ※ 2 马达轴径与输入轴径不同时，可插入轴套。

※ 1 Single reduction: 1/4~1/10, Double reduction: 1/16~1/100
 ※ 2 Bushing will be inserted to adapt to motor shaft.



型号 Model number	** : 输入法兰编号 ** : Input flange code	1段 Single					2段 Double				
		L1	L2	L3	L4	L5	L1	L2	L3	L4	L5
EPT-285-□-□-48** (输入轴内径 $\leq \phi 48$ Input shaft bore $\leq \phi 48$)	KB·KC						368	293	□180	55	98
	KA						388	313	□180	75	118
	LA						368	293	□200	55	98
	MA						368	293	□220	55	98
	MB						388	313	□220	75	118
	NA						388	313	□250	75	118
	PA						388	313	□280	75	118
EPT-285-□-□-65** (输入轴内径 $\leq \phi 65$ Input shaft bore $\leq \phi 65$)	MA·MB·MC·MD	332.5	257.5	□220	80	122					
	NA	332.5	257.5	□250	80	122					
	PA	352.5	277.5	□280	100	142					
	PB	362.5	287.5	□280	110	152					
	QA	352.5	277.5	□320	100	142					

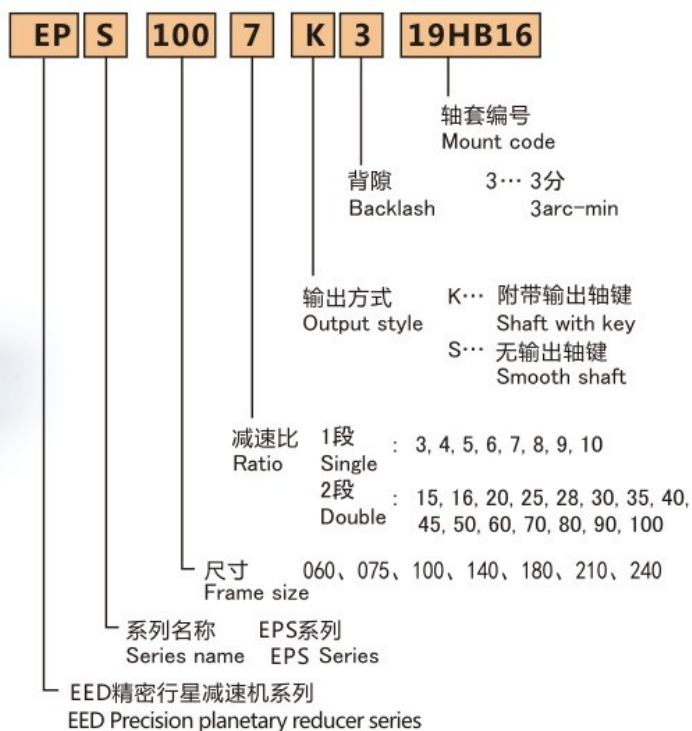
※ 1 1段减速 : 1/4~1/10; 2段减速 : 1/16~1/100
 ※ 2 马达轴径与输入轴径不同时, 可插入轴套。

※ 1 Single reduction: 1/4~1/10, Double reduction: 1/16~1/100
 ※ 2 Bushing will be inserted to adapt to motor shaft.

8、EPS Series



型号说明 Model Mark



高精度

齿隙低于3分、定位精确。

High precision

Standard backlash is 3 arc-min, ideal for precision control.

高刚性、高扭矩

使用整体式滚珠轴承，大大提高了刚性和扭矩。

High rigidity & torque

High rigidity & higt torque were achived by uncaged needle roller bearings.

高负载容量

主轴承采用锥形滚柱轴承，实现高负载容量。

High load capacity

Adopting taper roller bearing for the main output shaft to increase radial and axial load.

法兰、轴套方式

可以安装到世界上任何一台马达上。

Adapter-bushing connection

Can be attached to any motor all over the world.

无润滑脂泄漏

使用高粘度、不易分离的润滑脂，有效防止润滑脂泄漏。

No grease leakage

Perfect solution using high viscosity anti-separation grease.

维护方便

在产品寿命期内无需更换润滑脂，安装更便捷。

Maintenance-free

No need to replace the grease for the life of the unit.
Can be attached in any position.

尺寸 Frame size	段位 Stage	减速比 Ratio	※1	※2	※3	※4	※5	※6	※7
			容许 额定扭矩 Nominal output torque	容许 最大扭矩 Maximum output torque	紧急时 最大扭矩 Emergency stop torque	容许额定 输入转速 Nominal input speed	容许最高 输入转速 Maximum input speed	容许 径向负荷 Permitted radial load	容许 轴向负荷 Permitted axial load
			[Nm]	[Nm]	[Nm]	[rpm]	[rpm]	[N]	[N]
060	1段 Single	3	18	35	80	3000	6000	1700	2300
		4	27	50	100	3000	6000	1900	2500
		5	27	50	100	3000	6000	2000	2700
		6	27	50	100	3000	6000	2100	2700
		7	27	50	100	3000	6000	2200	2700
		8	27	50	100	3000	6000	2300	2700
		9	18	35	80	3000	6000	2400	2700
		10	18	35	80	3000	6000	2400	2700
	2段 Double	15	18	35	80	3000	6000	2800	2700
		16	27	50	100	3000	6000	2800	2700
		20	27	50	100	3000	6000	3000	2700
		25	27	50	100	3000	6000	3000	2700
		28	27	50	100	3000	6000	3000	2700
		30	18	35	80	3000	6000	3000	2700
		35	27	50	100	3000	6000	3000	2700
		40	27	50	100	3000	6000	3000	2700
		45	18	35	80	3000	6000	3000	2700
		50	27	50	100	3000	6000	3000	2700
		60	27	50	100	3000	6000	3000	2700
		70	27	50	100	3000	6000	3000	2700
80	27	50	100	3000	6000	3000	2700		
90	18	35	80	3000	6000	3000	2700		
100	18	35	80	3000	6000	3000	2700		

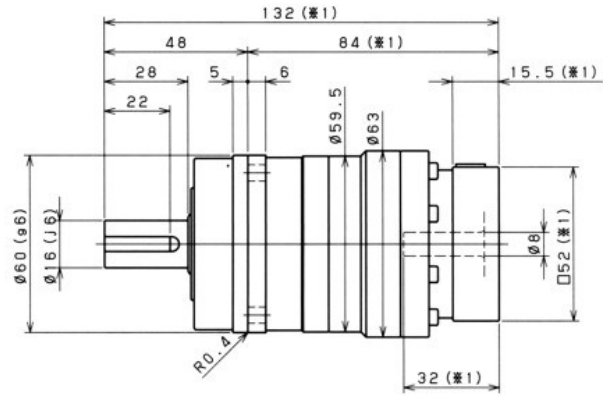
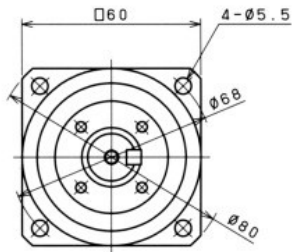
尺寸 Frame size	段位 Stage	减速比 Ratio	※8	※9	※10	惯性力矩 Moment of inertia ($\leq \phi 8$)	惯性力矩 Moment of inertia ($\leq \phi 14$)	惯性力矩 Moment of inertia ($\leq \phi 19$)
			容许最大 径向负荷 Maximum radial load	容许最大 轴向负荷 Maximum axial load	重量 Weight			
			[N]	[N]	[kg]			
060	1段 Single	3	3000	2700	1.6	0.15	0.23	0.44
		4	3000	2700		0.10	0.18	0.39
		5	3000	2700		0.080	0.16	0.37
		6	3000	2700		0.070	0.15	0.36
		7	3000	2700		0.064	0.14	0.35
		8	3000	2700		0.060	0.14	0.35
		9	3000	2700		0.058	0.14	0.35
		10	3000	2700		0.056	0.14	0.34
	2段 Double	15	3000	2700	1.8	0.055	0.14	-
		16	3000	2700		0.057	0.14	-
		20	3000	2700		0.054	0.13	-
		25	3000	2700		0.053	0.13	-
		28	3000	2700		0.055	0.14	-
		30	3000	2700		0.049	0.13	-
		35	3000	2700		0.053	0.13	-
		40	3000	2700		0.049	0.13	-
		45	3000	2700		0.053	0.13	-
		50	3000	2700		0.049	0.13	-
		60	3000	2700		0.049	0.13	-
		70	3000	2700		0.049	0.13	-
80	3000	2700	0.049	0.13	-			
90	3000	2700	0.049	0.13	-			
100	3000	2700	0.049	0.13	-			

- ※ 1 输入转速为额定转速时，使用寿命为20000小时的值
- ※ 2 启动、停止时容许的最大值
- ※ 3 发生撞击时容许的最大值（频率最高为1000次）
- ※ 4 运转过程中，额定输入转速的容许最大值
- ※ 5 在非连续运转条件下容许的最高输入转速
- ※ 6 输入转速为额定转速时，使用寿命为20000小时的值（作用于轴中央，轴向负荷为0时）
- ※ 7 输入转速为额定转速时，使用寿命为20000小时的值（作用于轴芯，径向负荷为0时）
- ※ 8 径向负荷的容许最大值
- ※ 9 轴向负荷的容许最大值
- ※10 因减速比和输入轴尺寸的不同而有所不同。

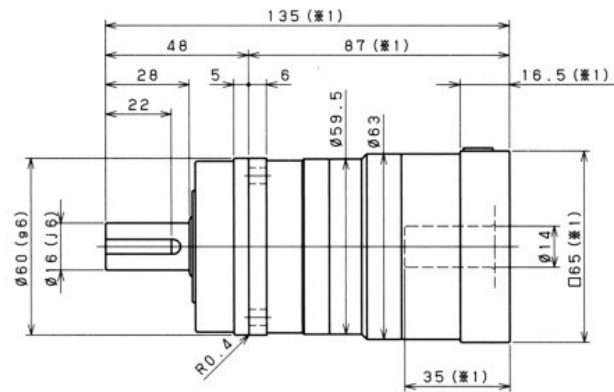
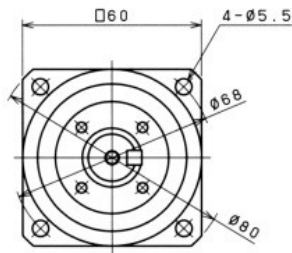
- ※ 1 With nominal input speed, service life is 20,000 hours.
- ※ 2 The maximum torque when starting and stopping.
- ※ 3 The maximum torque when it receives shock (up to 1,000 times)
- ※ 4 The maximum average input speed.
- ※ 5 The maximum momentary input speed.
- ※ 6 With this load and nominal input speed, service life will be 20,000 hours (Applied to the output shaft center, at axial load 0)
- ※ 7 With this load and nominal input speed, service life will be 20,000 hours (Applied to the output side bearing, at radial load 0)
- ※ 8 The maximum radial load the reducer can accept.
- ※ 9 The maximum axial load the reducer can accept.
- ※ 10 The weight may vary slightly model to model.

EPS-060 1段 1stage

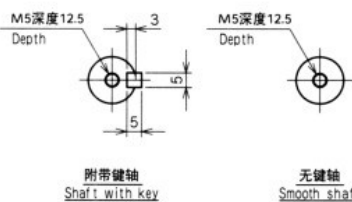
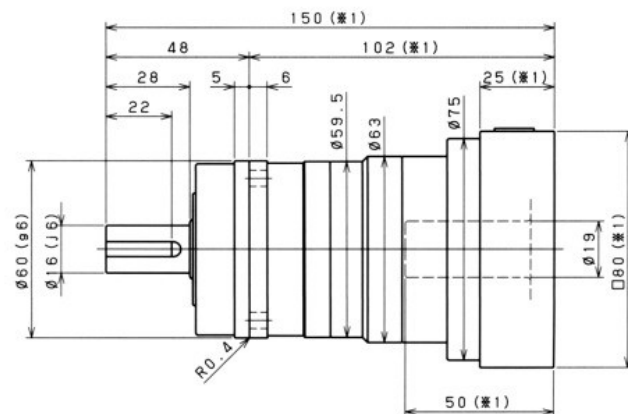
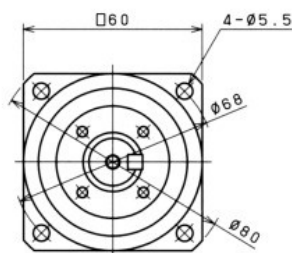
输入轴内径 Input shaft bore $\leq \phi 8$



输入轴内径 Input shaft bore $\leq \phi 14$



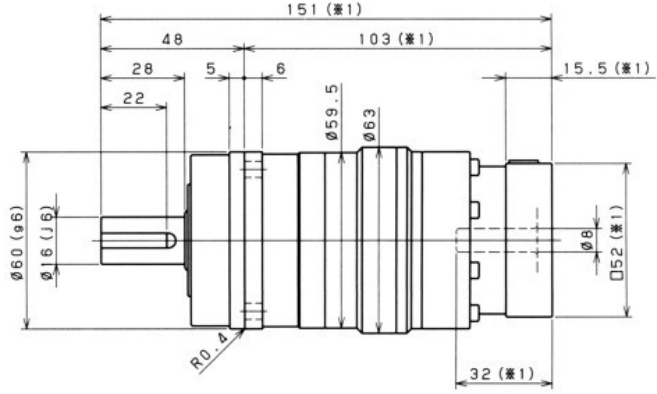
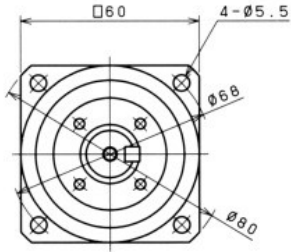
输入轴内径 Input shaft bore $\leq \phi 19$



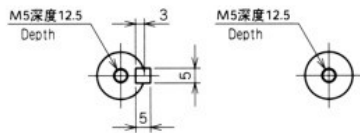
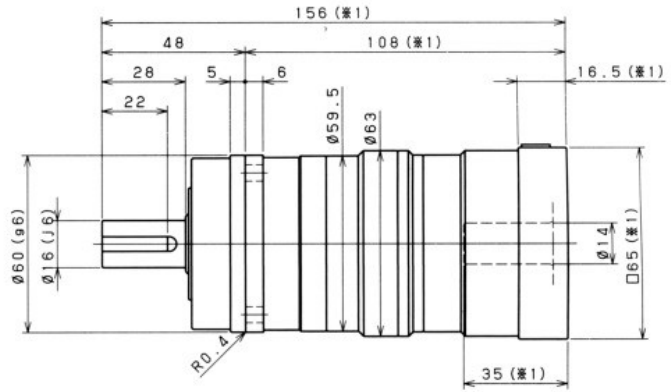
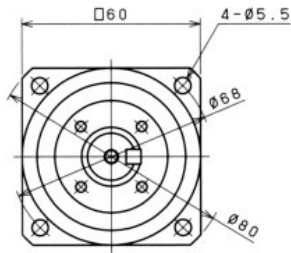
- ※ 1 随安装马达的不同而有所差异。
- ※ 2 马达轴径与输入轴径不同时，可插入轴套。
- ※ 1 Length will vary depending on motor.
- ※ 2 Bushing will be inserted to adapt to motor shaft.

EPS-060 2段 2stage

输入轴内径 Input shaft bore $\leq \phi 8$



输入轴内径 Input shaft bore $\leq \phi 14$



附带键轴
Shaft with key

无键轴
Smooth shaft

- ※ 1 随安装马达的不同而有所差异。
- ※ 2 马达轴径与输入轴径不同时，可插入轴套。
- ※ 1 Length will vary depending on motor.
- ※ 2 Bushing will be inserted to adapt to motor shaft.

尺寸 Frame size	段位 Stage	减速比 Ratio	※1	※2	※3	※4	※5	※6	※7	
			容许 额定扭矩 Nominal output torque	容许 最大扭矩 Maximum output torque	紧急时 最大扭矩 Emergency stop torque	容许额定 输入转速 Nominal input speed	容许最高 输入转速 Maximum input speed	容许 径向负荷 Permitted radial load	容许 轴向负荷 Permitted axial load	
			[Nm]	[Nm]	[Nm]	[rpm]	[rpm]	[N]	[N]	
075	1段 Single	3	50	80	200	3000	6000	2300	3400	
		4	75	125	250	3000	6000	2500	3700	
		5	75	125	250	3000	6000	2700	3900	
		6	75	125	250	3000	6000	2800	3900	
		7	75	125	250	3000	6000	3000	3900	
		8	75	125	250	3000	6000	3100	3900	
		9	50	80	200	3000	6000	3200	3900	
		10	50	80	200	3000	6000	3300	3900	
		2段 Double	15	50	80	200	3000	6000	3700	3900
			16	75	125	250	3000	6000	3800	3900
	20		75	125	250	3000	6000	4000	3900	
	25		75	125	250	3000	6000	4300	3900	
	28		75	125	250	3000	6000	4300	3900	
	30		50	80	200	3000	6000	4300	3900	
	35		75	125	250	3000	6000	4300	3900	
	40		75	125	250	3000	6000	4300	3900	
	45		50	80	200	3000	6000	4300	3900	
	50		75	125	250	3000	6000	4300	3900	
	60	75	125	250	3000	6000	4300	3900		
	70	75	125	250	3000	6000	4300	3900		
80	75	125	250	3000	6000	4300	3900			
90	50	80	200	3000	6000	4300	3900			
100	50	80	200	3000	6000	4300	3900			

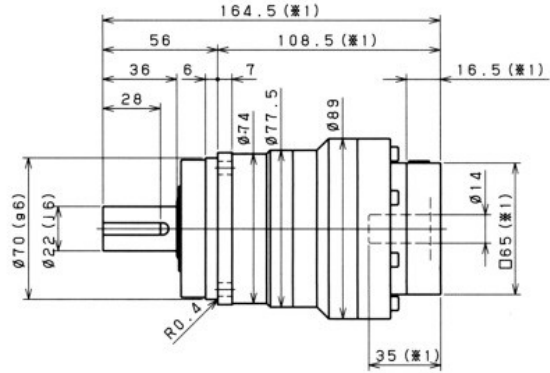
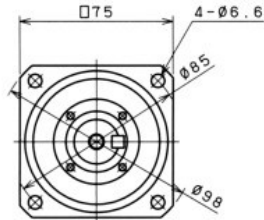
尺寸 Frame size	段位 Stage	减速比 Ratio	※8	※9	※10	惯性力矩 Moment of inertia (≤ φ 8)	惯性力矩 Moment of inertia (≤ φ 14)	惯性力矩 Moment of inertia (≤ φ 19)	惯性力矩 Moment of inertia (≤ φ 28)		
			容许最大 径向负荷 Maximum radial load	容许最大 轴向负荷 Maximum axial load	重量 Weight	[kgcm ²]	[kgcm ²]	kgcm ²	kgcm ²		
			[N]	[N]	[kg]						
075	1段 Single	3	4300	3900	3.4	-	0.67	1.1	3.1		
		4	4300	3900		-	0.47	0.93	2.9		
		5	4300	3900		-	0.38	0.85	2.9		
		6	4300	3900		-	0.34	0.81	2.8		
		7	4300	3900		-	0.31	0.78	2.8		
		8	4300	3900		-	0.30	0.76	2.8		
		9	4300	3900		-	0.29	0.75	2.8		
		10	4300	3900		-	0.29	0.75	2.8		
		2段 Double	15	4300		3900	3.8	0.13	0.28	0.72	-
			16	4300		3900		0.14	0.30	0.73	-
	20		4300	3900	0.13	0.28		0.72	-		
	25		4300	3900	0.12	0.28		0.71	-		
	28		4300	3900	0.14	0.29		0.73	-		
	30		4300	3900	0.099	0.25		0.70	-		
	35		4300	3900	0.12	0.27		0.71	-		
	40		4300	3900	0.098	0.25		0.69	-		
	45		4300	3900	0.12	0.27		0.71	-		
	50		4300	3900	0.098	0.25		0.69	-		
	60	4300	3900	0.098	0.25	0.69	-				
	70	4300	3900	0.097	0.25	0.69	-				
80	4300	3900	0.097	0.25	0.69	-					
90	4300	3900	0.097	0.25	0.69	-					
100	4300	3900	0.097	0.25	0.69	-					

- ※ 1 输入转速为额定转速时,使用寿命为20000小时的值
- ※ 2 启动、停止时容许的最大值
- ※ 3 发生撞击时容许的最大值(频率最高为1000次)
- ※ 4 运转过程中,额定输入转速的容许最大值
- ※ 5 在非连续运转条件下容许的最高输入转速
- ※ 6 输入转速为额定转速时,使用寿命为20000小时的值(作用于轴中央,轴向负荷为0时)
- ※ 7 输入转速为额定转速时,使用寿命为20000小时的值(作用于轴芯,径向负荷为0时)
- ※ 8 径向负荷的容许最大值
- ※ 9 轴向负荷的容许最大值
- ※ 10 因减速比和输入轴尺寸的不同而有所不同。

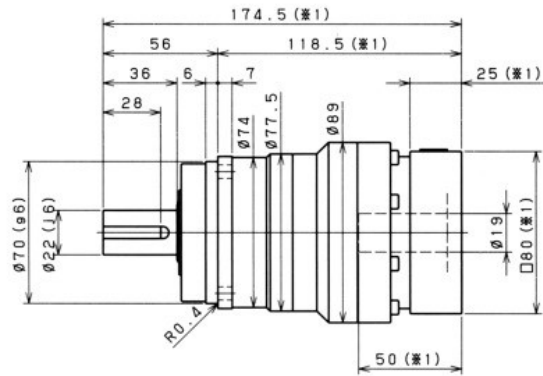
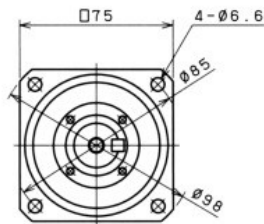
- ※ 1 With nominal input speed, service life is 20,000 hours.
- ※ 2 The maximum torque when starting and stopping.
- ※ 3 The maximum torque when it receives shock (up to 1,000 times)
- ※ 4 The maximum average input speed.
- ※ 5 The maximum momentary input speed.
- ※ 6 With this load and nominal input speed, service life will be 20,000 hours (Applied to the output shaft center, at axial load 0)
- ※ 7 With this load and nominal input speed, service life will be 20,000 hours (Applied to the output side bearing, at radial load 0)
- ※ 8 The maximum radial load the reducer can accept.
- ※ 9 The maximum axial load the reducer can accept.
- ※ 10 The weight may vary slightly model to model.

EPS-075 1段 1stage

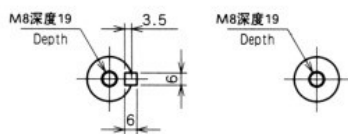
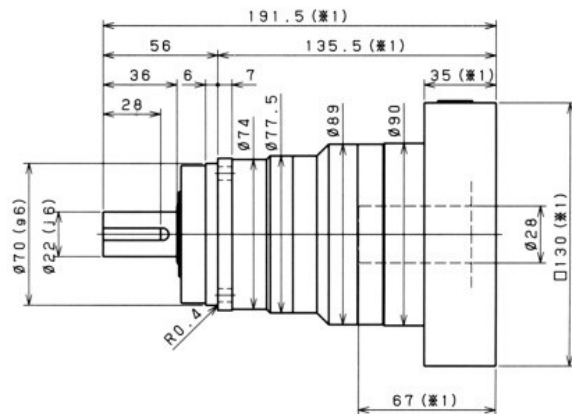
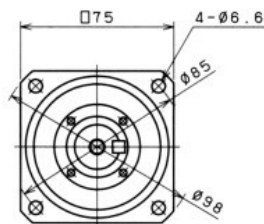
输入轴内径 Input shaft bore $\leq \phi 14$



输入轴内径 Input shaft bore $\leq \phi 19$



输入轴内径 Input shaft bore $\leq \phi 28$



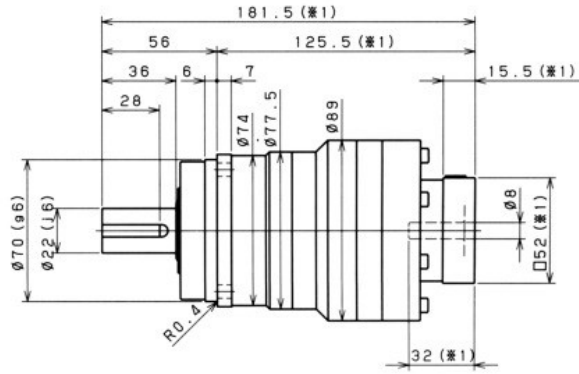
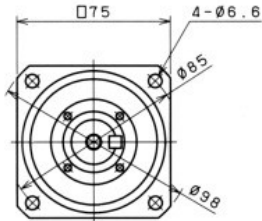
附带键轴
Shaft with key

无键轴
Smooth shaft

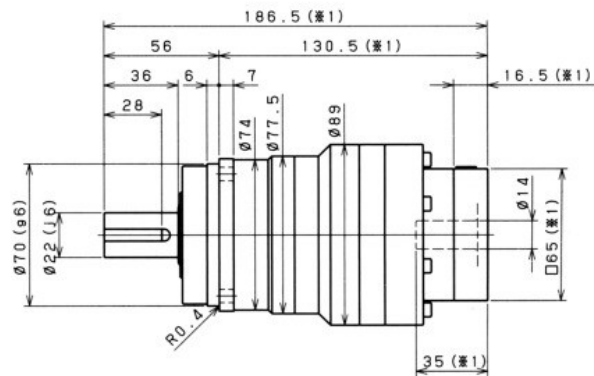
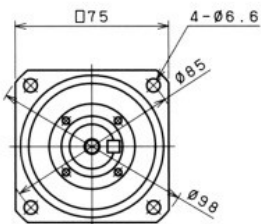
- ※ 1 随安装马达的不同而有所差异。
- ※ 2 马达轴径与输入轴径不同时，可插入轴套。
- ※ 1 Length will vary depending on motor.
- ※ 2 Bushing will be inserted to adapt to motor shaft.

EPS-075 2段 2stage

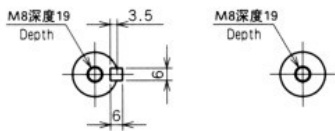
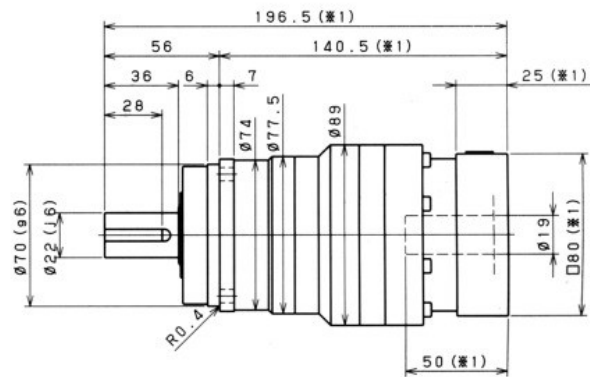
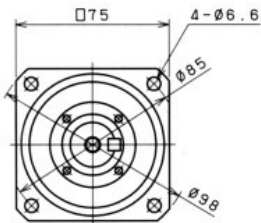
输入轴内径 Input shaft bore $\leq \phi 8$



输入轴内径 Input shaft bore $\leq \phi 14$



输入轴内径 Input shaft bore $\leq \phi 19$



附带键轴
Shaft with key

无键轴
Smooth shaft

- ※ 1 随安装马达的不同而有所差异。
- ※ 2 马达轴径与输入轴径不同时，可插入轴套。
- ※ 1 Length will vary depending on motor.
- ※ 2 Bushing will be inserted to adapt to motor shaft.

尺寸 Frame size	段位 Stage	减速比 Ratio	※1	※2	※3	※4	※5	※6	※7
			容许 额定扭矩 Nominal output torque [Nm]	容许 最大扭矩 Maximum output torque [Nm]	紧急时 最大扭矩 Emergency stop torque [Nm]	容许额定 输入转速 Nominal input speed [rpm]	容许最高 输入转速 Maximum input speed [rpm]	容许 径向负荷 Permitted radial load [N]	容许 轴向负荷 Permitted axial load [N]
100	1段 Single	3	120	225	500	3000	6000	3400	4800
		4	120	330	625	3000	6000	3700	5200
		5	180	330	625	3000	6000	4000	5600
		6	180	330	625	3000	6000	4200	5900
		7	180	330	625	3000	6000	4400	6100
		8	180	330	625	3000	6000	4600	6300
		9	120	225	500	3000	6000	4800	6300
	2段 Double	10	120	225	500	3000	6000	4900	6300
		15	120	225	500	3000	6000	5600	6300
		16	180	330	625	3000	6000	5700	6300
		20	180	330	625	3000	6000	6100	6300
		25	180	330	625	3000	6000	6500	6300
		28	180	330	625	3000	6000	6700	6300
		30	120	225	500	3000	6000	6900	6300
		35	180	330	625	3000	6000	7000	6300
		40	180	330	625	3000	6000	7000	6300
		45	120	225	500	3000	6000	7000	6300
		50	180	330	625	3000	6000	7000	6300
60	180	330	625	3000	6000	7000	6300		
70	180	330	625	3000	6000	7000	6300		
80	180	330	625	3000	6000	7000	6300		
90	120	225	500	3000	6000	7000	6300		
100	120	225	500	3000	6000	7000	6300		

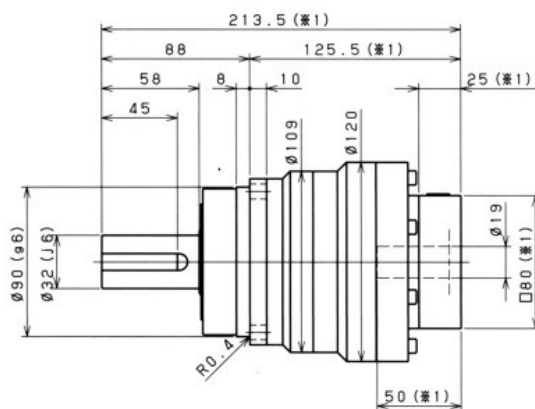
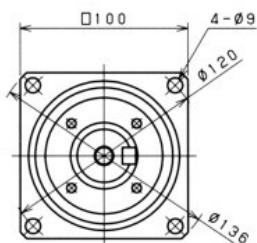
尺寸 Frame size	段位 Stage	减速比 Ratio	※8	※9	※10	惯性力矩 Moment of inertia (≤φ14) [kgcm ²]	惯性力矩 Moment of inertia (≤φ19) [kgcm ²]	惯性力矩 Moment of inertia (≤φ28) [kgcm ²]	惯性力矩 Moment of inertia (≤φ38) [kgcm ²]
			容许最大 径向负荷 Maximum radial load [N]	容许最大 轴向负荷 Maximum axial load [N]	重量 Weight [kg]				
100	1段 Single	3	7000	6300	8.1	-	3.2	5.2	13
		4	7000	6300		-	2.0	4.0	12
		5	7000	6300		-	1.5	3.6	11
		6	7000	6300		-	1.3	3.3	11
		7	7000	6300		-	1.1	3.1	11
		8	7000	6300		-	1.0	3.0	11
		9	7000	6300		-	0.96	3.0	11
	2段 Double	10	7000	6300	-	0.93	3.0	11	
		15	7000	6300	8.8	0.42	0.86	2.8	-
		16	7000	6300		0.48	0.91	2.9	-
		20	7000	6300		0.40	0.83	2.8	-
		25	7000	6300		0.38	0.82	2.8	-
		28	7000	6300		0.44	0.87	2.8	-
		30	7000	6300		0.29	0.74	2.7	-
		35	7000	6300		0.37	0.81	2.7	-
		40	7000	6300		0.28	0.73	2.7	-
		45	7000	6300		0.37	0.80	2.7	-
		50	7000	6300		0.28	0.73	2.7	-
60	7000	6300	0.28	0.73		2.7	-		
70	7000	6300	0.28	0.73	2.7	-			
80	7000	6300	0.28	0.73	2.7	-			
90	7000	6300	0.27	0.73	2.7	-			
100	7000	6300	0.27	0.73	2.7	-			

※ 1 输入转速为额定转速时，使用寿命为20000小时的值
 ※ 2 启动、停止时容许的最大值
 ※ 3 发生冲击时容许的最大值（频率最高为1000次）
 ※ 4 运转过程中，额定输入转速的容许最大值
 ※ 5 在非连续运转条件下容许的最高输入转速
 ※ 6 输入转速为额定转速时，使用寿命为20000小时的值（作用于轴中央，轴向负荷为0时）
 ※ 7 输入转速为额定转速时，使用寿命为20000小时的值（作用于轴芯，径向负荷为0时）
 ※ 8 径向负荷的容许最大值
 ※ 9 轴向负荷的容许最大值
 ※ 10 因减速比和输入轴尺寸的不同而有所不同。

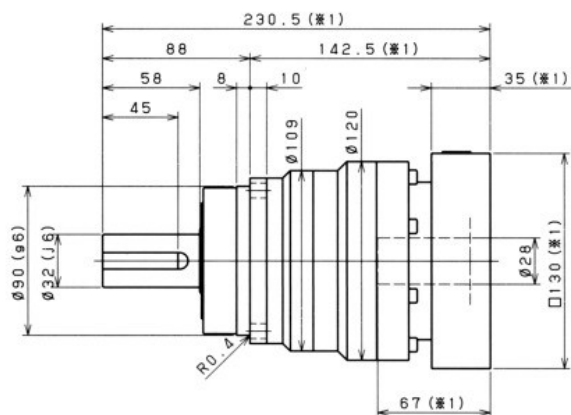
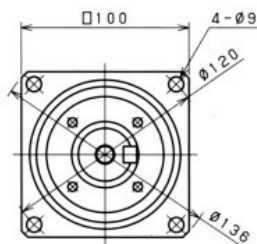
※ 1 With nominal input speed, service life is 20,000 hours.
 ※ 2 The maximum torque when starting and stopping.
 ※ 3 The maximum torque when it receives shock (up to 1,000 times)
 ※ 4 The maximum average input speed.
 ※ 5 The maximum momentary input speed.
 ※ 6 With this load and nominal input speed, service life will be 20,000 hours (Applied to the output shaft center, at axial load 0)
 ※ 7 With this load and nominal input speed, service life will be 20,000 hours (Applied to the output side bearing, at radial load 0)
 ※ 8 The maximum radial load the reducer can accept.
 ※ 9 The maximum axial load the reducer can accept.
 ※ 10 The weight may vary slightly model to model.

EPS-100 1段 1stage

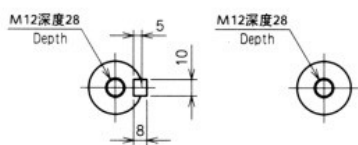
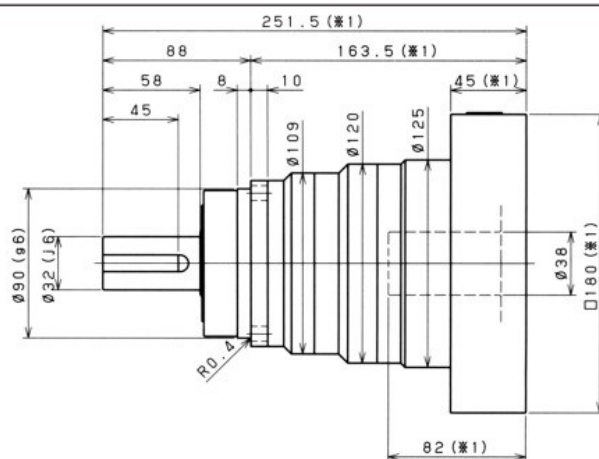
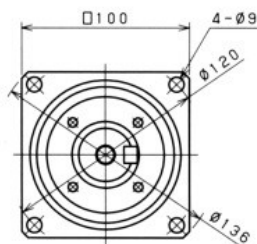
输入轴内径 Input shaft bore $\leq \phi 19$



输入轴内径 Input shaft bore $\leq \phi 28$



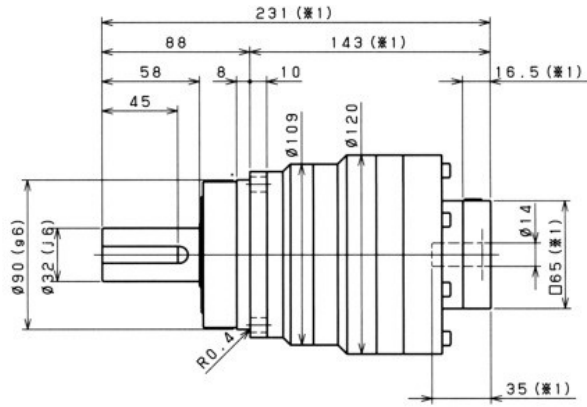
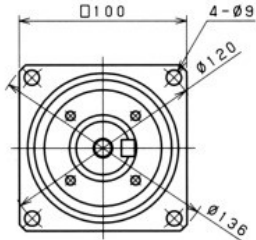
输入轴内径 Input shaft bore $\leq \phi 38$



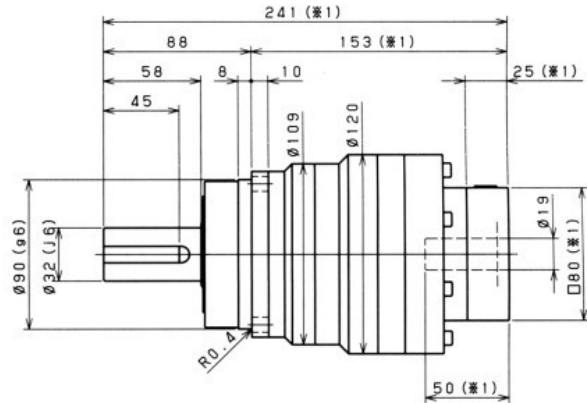
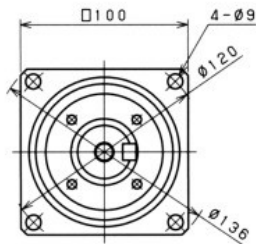
- ※ 1 随安装马达的不同而有所差异。
- ※ 2 马达轴径与输入轴径不同时,可插入轴套。
- ※ 1 Length will vary depending on motor.
- ※ 2 Bushing will be inserted to adapt to motor shaft.

EPS-100 2段 2stage

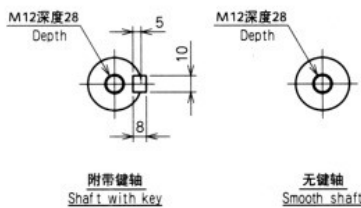
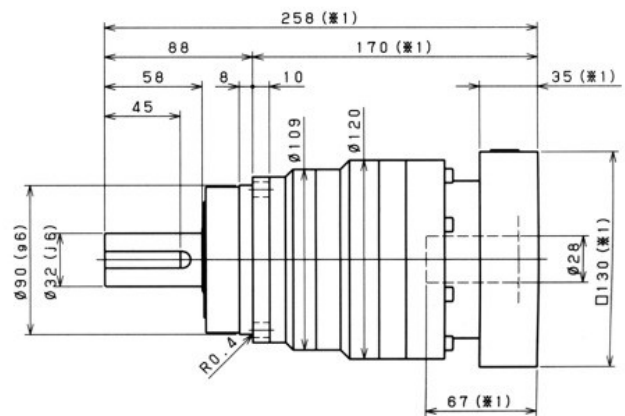
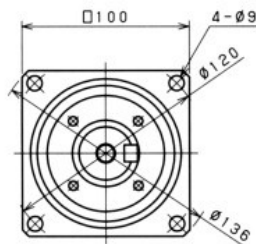
输入轴内径 Input shaft bore $\leq \phi 14$



输入轴内径 Input shaft bore $\leq \phi 19$



输入轴内径 Input shaft bore $\leq \phi 28$



- ※ 1 随安装马达的不同而有所差异。
- ※ 2 马达轴径与输入轴径不同时，可插入轴套。
- ※ 1 Length will vary depending on motor.
- ※ 2 Bushing will be inserted to adapt to motor shaft.

尺寸 Frame size	段位 Stage	减速比 Ratio	※1	※2	※3	※4	※5	※6	※7	
			容许 额定扭矩 Nominal output torque	容许 最大扭矩 Maximum output torque	紧急时 最大扭矩 Emergency stop torque	容许额定 输入转速 Nominal input speed	容许最高 输入转速 Maximum input speed	容许 径向负荷 Permitted radial load	容许 轴向负荷 Permitted axial load	
			[Nm]	[Nm]	[Nm]	[rpm]	[rpm]	[N]	[N]	
140	1段 Single	3	240	470	1000	2000	4000	6700	9000	
		4	240	700	1250	2000	4000	7400	9000	
		5	360	700	1250	2000	4000	7900	9000	
		6	360	700	1250	2000	4000	8300	9000	
		7	360	700	1250	2000	4000	8700	9000	
		8	360	700	1250	2000	4000	9100	9000	
		9	240	470	1000	2000	4000	9400	9000	
		10	240	470	1000	2000	4000	9700	9000	
		2段 Double	15	240	470	1000	2000	4000	10000	9000
			16	360	700	1250	2000	4000	10000	9000
	20		360	700	1250	2000	4000	10000	9000	
	25		360	700	1250	2000	4000	10000	9000	
	28		360	700	1250	2000	4000	10000	9000	
	30		240	470	1000	2000	4000	10000	9000	
	35		360	700	1250	2000	4000	10000	9000	
	40		360	700	1250	2000	4000	10000	9000	
	45		240	470	1000	2000	4000	10000	9000	
	50		360	700	1250	2000	4000	10000	9000	
	60	360	700	1250	2000	4000	10000	9000		
	70	360	700	1250	2000	4000	10000	9000		
80	360	700	1250	2000	4000	10000	9000			
90	240	470	1000	2000	4000	10000	9000			
100	240	470	1000	2000	4000	10000	9000			

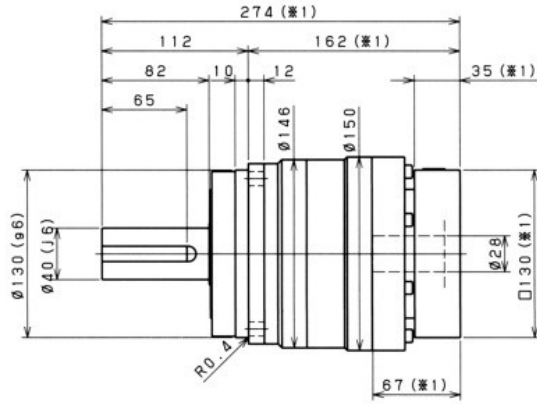
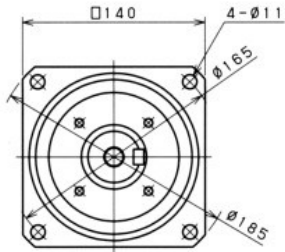
尺寸 Frame size	段位 Stage	减速比 Ratio	※8	※9	※10	惯性力矩 Moment of inertia (≤ φ19)	惯性力矩 Moment of inertia (≤ φ28)	惯性力矩 Moment of inertia (≤ φ38)	惯性力矩 Moment of inertia (≤ φ48)		
			容许最大 径向负荷 Maximum radial load	容许最大 轴向负荷 Maximum axial load	重量 Weight						
			[N]	[N]	[kg]						
140	1段 Single	3	10000	9000	17	-	12	20	42		
		4	10000	9000		-	7.4	15	37		
		5	10000	9000		-	5.8	13	36		
		6	10000	9000		-	4.9	13	35		
		7	10000	9000		-	4.1	12	34		
		8	10000	9000		-	3.8	12	34		
		9	10000	9000		-	3.6	11	34		
		10	10000	9000		-	3.4	11	33		
		2段 Double	15	10000		9000	19	1.3	3.2	11	-
			16	10000		9000		1.5	3.5	11	-
	20		10000	9000	1.2	3.1		11	-		
	25		10000	9000	1.1	3.1		11	-		
	28		10000	9000	1.4	3.3		11	-		
	30		10000	9000	0.85	2.8		10	-		
	35		10000	9000	1.1	3.1		11	-		
	40		10000	9000	0.83	2.8		10	-		
	45		10000	9000	1.1	3.0		11	-		
	50		10000	9000	0.81	2.8		10	-		
	60	10000	9000	0.81	2.8	10	-				
	70	10000	9000	0.80	2.8	10	-				
80	10000	9000	0.80	2.8	10	-					
90	10000	9000	0.80	2.8	10	-					
100	10000	9000	0.80	2.8	10	-					

- ※ 1 输入转速为额定转速时，使用寿命为20000小时的值
- ※ 2 启动、停止时容许的最大值
- ※ 3 发生撞击时容许的最大值（频率最高为1000次）
- ※ 4 运转过程中，额定输入转速的容许最大值
- ※ 5 在非连续运转条件下容许的最高输入转速
- ※ 6 输入转速为额定转速时，使用寿命为20000小时的值（作用于轴中央，轴向负荷为0时）
- ※ 7 输入转速为额定转速时，使用寿命为20000小时的值（作用于轴芯，径向负荷为0时）
- ※ 8 径向负荷的容许最大值
- ※ 9 轴向负荷的容许最大值
- ※ 10 因减速比和输入轴尺寸的不同而有所不同。

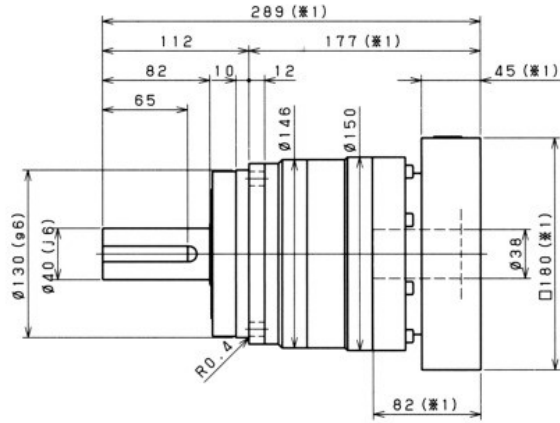
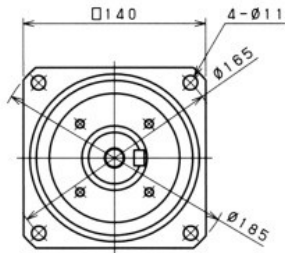
- ※ 1 With nominal input speed, service life is 20,000 hours.
- ※ 2 The maximum torque when starting and stopping.
- ※ 3 The maximum torque when it receives shock (up to 1,000 times)
- ※ 4 The maximum average input speed.
- ※ 5 The maximum momentary input speed.
- ※ 6 With this load and nominal input speed, service life will be 20,000 hours (Applied to the output shaft center, at axial load 0)
- ※ 7 With this load and nominal input speed, service life will be 20,000 hours (Applied to the output side bearing, at radial load 0)
- ※ 8 The maximum radial load the reducer can accept.
- ※ 9 The maximum axial load the reducer can accept.
- ※ 10 The weight may vary slightly model to model.

EPS-140 1段 1stage

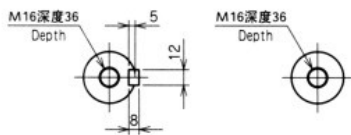
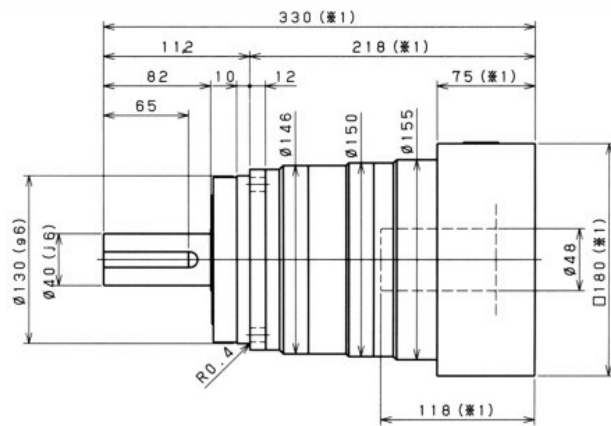
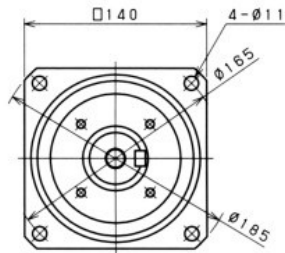
输入轴内径 Input shaft bore $\leq \phi 28$



输入轴内径 Input shaft bore $\leq \phi 38$



输入轴内径 Input shaft bore $\leq \phi 48$



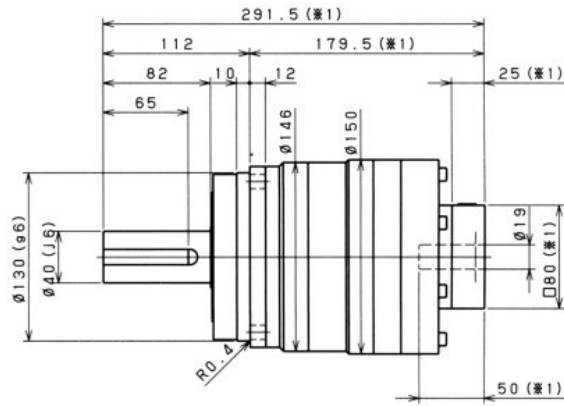
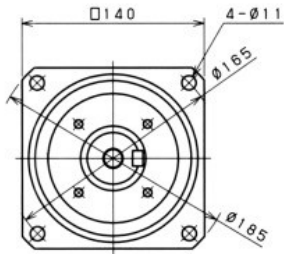
附带键轴
Shaft with key

无键轴
Smooth shaft

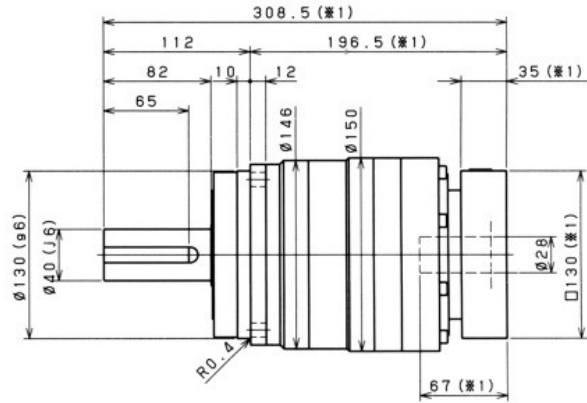
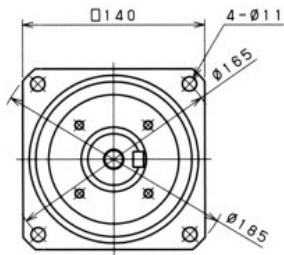
- ※ 1 随安装马达的不同而有所差异。
- ※ 2 马达轴径与输入轴径不同时，可插入轴套。
- ※ 1 Length will vary depending on motor.
- ※ 2 Bushing will be inserted to adapt to motor shaft.

EPS-140 2段 2stage

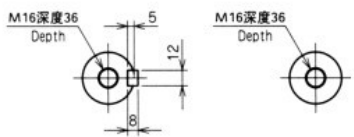
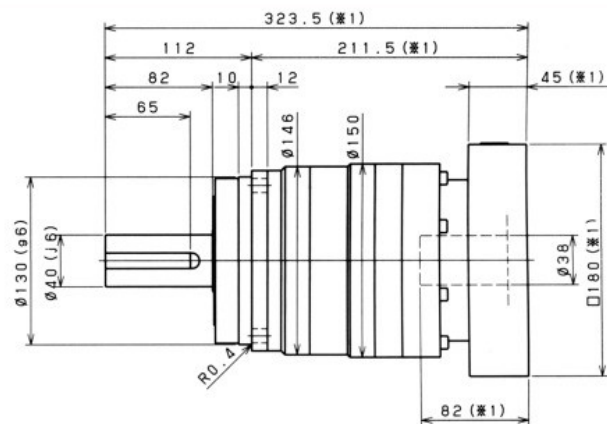
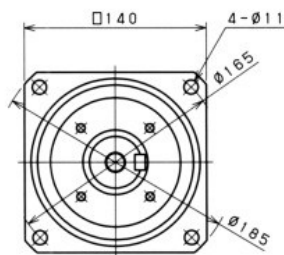
输入轴内径 Input shaft bore $\leq \phi 19$



输入轴内径 Input shaft bore $\leq \phi 28$



输入轴内径 Input shaft bore $\leq \phi 38$



- ※ 1 随安装马达的不同而有所差异。
- ※ 2 马达轴径与输入轴径不同时,可插入轴套。
- ※ 1 Length will vary depending on motor.
- ※ 2 Bushing will be inserted to adapt to motor shaft.

尺寸 Frame size	段位 Stage	减速比 Ratio	※1	※2	※3	※4	※5	※6	※7	
			容许 额定扭矩 Nominal output torque	容许 最大扭矩 Maximum output torque	紧急时 最大扭矩 Emergency stop torque	容许额定 输入转速 Nominal input speed	容许最高 输入转速 Maximum input speed	容许 径向负荷 Permitted radial load	容许 轴向负荷 Permitted axial load	
			[Nm]	[Nm]	[Nm]	[rpm]	[rpm]	[N]	[N]	
180	1段 Single	3	500	970	2200	1500	3000	12000	16000	
		4	750	1400	2750	1500	3000	13000	17000	
		5	750	1400	2750	1500	3000	14000	17000	
		6	750	1400	2750	1500	3000	15000	17000	
		7	750	1400	2750	1500	3000	16000	17000	
		8	750	1400	2750	1500	3000	17000	17000	
		9	500	970	2200	1500	3000	17000	17000	
		10	500	970	2200	1500	3000	18000	17000	
		2段 Double	15	500	970	2200	1500	3000	19000	17000
			16	750	1400	2750	1500	3000	19000	17000
	20		750	1400	2750	1500	3000	19000	17000	
	25		750	1400	2750	1500	3000	19000	17000	
	28		750	1400	2750	1500	3000	19000	17000	
	30		500	970	2200	1500	3000	19000	17000	
	35		750	1400	2750	1500	3000	19000	17000	
	40		750	1400	2750	1500	3000	19000	17000	
	45		500	970	2200	1500	3000	19000	17000	
	50		750	1400	2750	1500	3000	19000	17000	
	60	750	1400	2750	1500	3000	19000	17000		
	70	750	1400	2750	1500	3000	19000	17000		
80	750	1400	2750	1500	3000	19000	17000			
90	500	970	2200	1500	3000	19000	17000			
100	500	970	2200	1500	3000	19000	17000			

尺寸 Frame size	段位 Stage	减速比 Ratio	※8	※9	※10	惯性力矩 Moment of inertia (≤ φ28)	惯性力矩 Moment of inertia (≤ φ38)	惯性力矩 Moment of inertia (≤ φ48)	惯性力矩 Moment of inertia (≤ φ65)		
			容许最大 径向负荷 Maximum radial load	容许最大 轴向负荷 Maximum axial load	重量 Weight	[kgcm ²]	[kgcm ²]	kgcm ²	kgcm ²		
			[N]	[N]	[kg]	[kgcm ²]	[kgcm ²]	kgcm ²	kgcm ²		
180	1段 Single	3	19000	17000	39	-	42	64	120		
		4	19000	17000		-	27	49	110		
		5	19000	17000		-	21	43	100		
		6	19000	17000		-	18	40	100		
		7	19000	17000		-	16	38	98		
		8	19000	17000		-	15	37	97		
		9	19000	17000		-	14	36	96		
		10	19000	17000		-	14	36	96		
		2段 Double	15	19000		17000	39	4.7	12	34	-
			16	19000		17000		5.4	13	35	-
	20		19000	17000	4.3	12		34	-		
	25		19000	17000	4.2	12		34	-		
	28		19000	17000	4.9	13		35	-		
	30		19000	17000	3.2	11		33	-		
	35		19000	17000	4.1	12		34	-		
	40		19000	17000	3.2	11		33	-		
	45		19000	17000	4.0	12		34	-		
	50		19000	17000	3.1	11		33	-		
	60	19000	17000	3.1	11	33	-				
	70	19000	17000	3.1	11	33	-				
80	19000	17000	3.1	11	33	-					
90	19000	17000	3.1	11	33	-					
100	19000	17000	3.1	11	33	-					

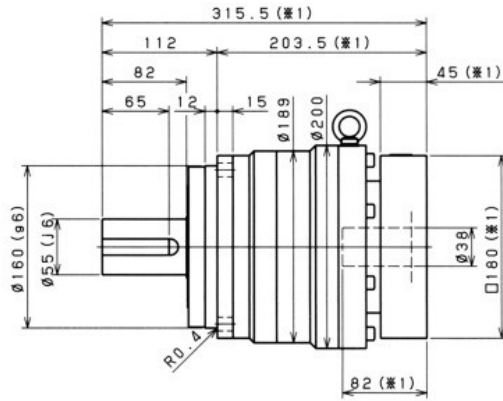
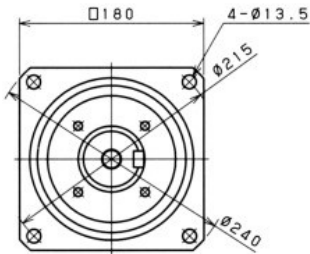
- ※ 1 输入转速为额定转速时，使用寿命为20000小时的值
- ※ 2 启动、停止时容许的最大值
- ※ 3 发生冲击时容许的最大值（频率最高为1000次）
- ※ 4 运转过程中，额定输入转速的容许最大值
- ※ 5 在非连续运转条件下容许的最高输入转速
- ※ 6 输入转速为额定转速时，使用寿命为20000小时的值（作用于轴中央，轴向负荷为0时）
- ※ 7 输入转速为额定转速时，使用寿命为20000小时的值（作用于轴芯，径向负荷为0时）
- ※ 8 径向负荷的容许最大值
- ※ 9 轴向负荷的容许最大值
- ※ 10 因减速比和输入轴尺寸的不同而有所不同。

- ※ 1 With nominal input speed, service life is 20,000 hours.
- ※ 2 The maximum torque when starting and stopping.
- ※ 3 The maximum torque when it receives shock (up to 1,000 times)
- ※ 4 The maximum average input speed.
- ※ 5 The maximum momentary input speed.
- ※ 6 With this load and nominal input speed, service life will be 20,000 hours (Applied to the output shaft center, at axial load 0)
- ※ 7 With this load and nominal input speed, service life will be 20,000 hours (Applied to the output side bearing, at radial load 0)
- ※ 8 The maximum radial load the reducer can accept.
- ※ 9 The maximum axial load the reducer can accept.
- ※ 10 The weight may vary slightly model to model.

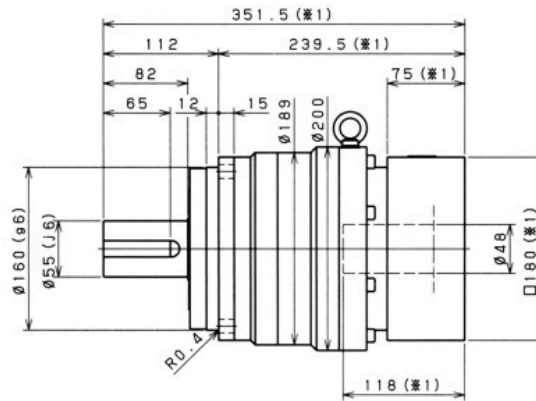
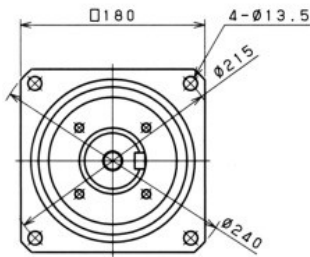
EPS

EPS-180 1段 1stage

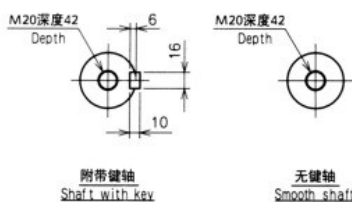
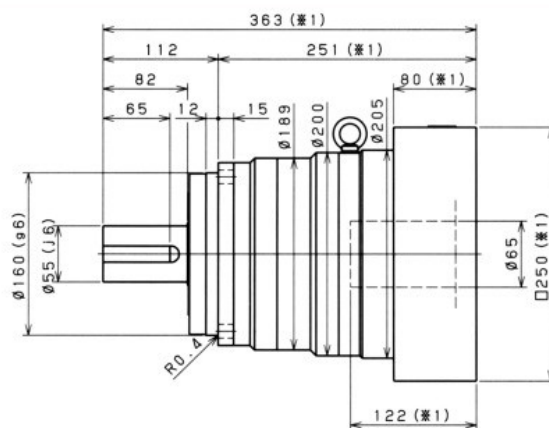
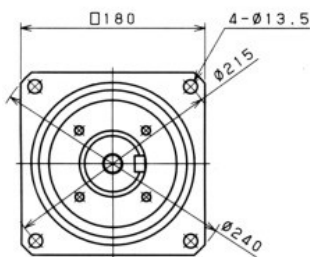
输入轴内径 Input shaft bore $\leq \phi 38$



输入轴内径 Input shaft bore $\leq \phi 48$



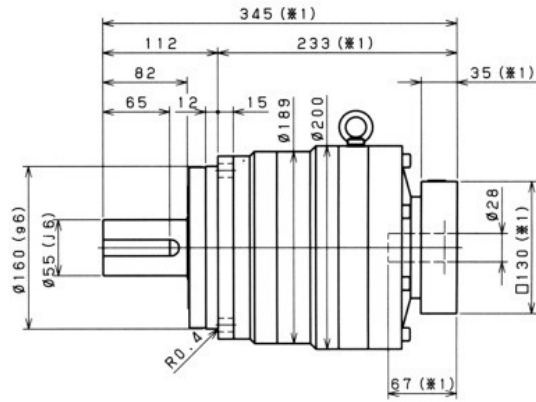
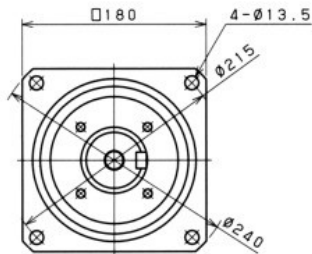
输入轴内径 Input shaft bore $\leq \phi 65$



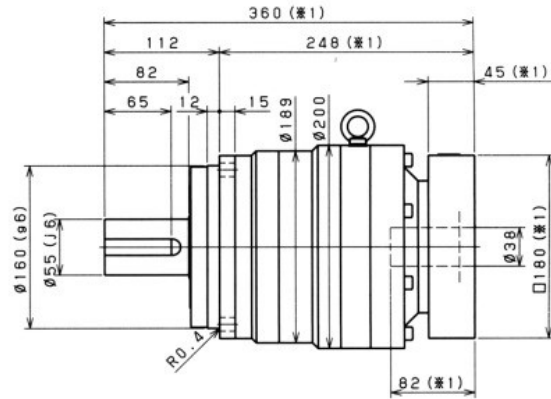
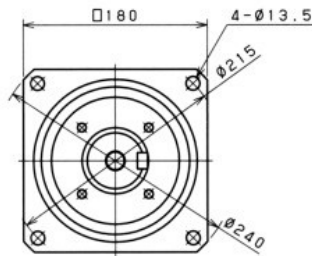
- ※ 1 随安装马达的不同而有所差异。
- ※ 2 马达轴径与输入轴径不同时,可插入轴套。
- ※ 1 Length will vary depending on motor.
- ※ 2 Bushing will be inserted to adapt to motor shaft.

EPS-180 2段 2stage

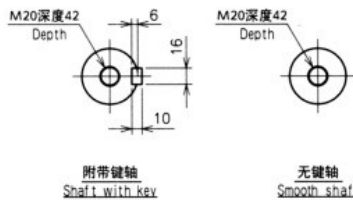
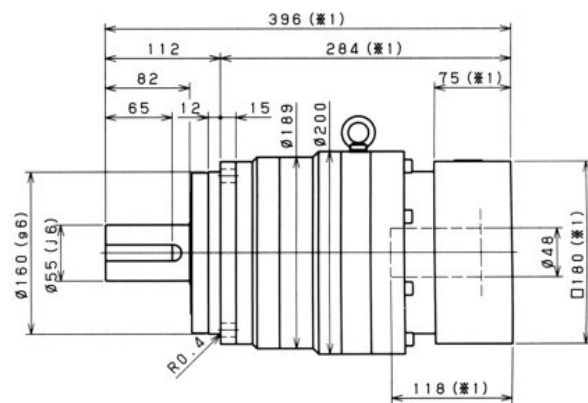
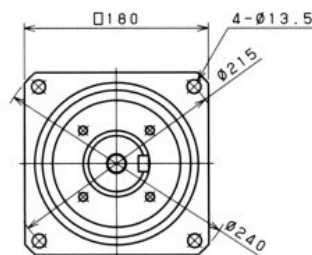
输入轴内径 Input shaft bore $\leq \phi 28$



输入轴内径 Input shaft bore $\leq \phi 38$



输入轴内径 Input shaft bore $\leq \phi 48$



- ※ 1 随安装马达的不同而有所差异。
- ※ 2 马达轴径与输入轴径不同时，可插入轴套。
- ※ 1 Length will vary depending on motor.
- ※ 2 Bushing will be inserted to adapt to motor shaft.

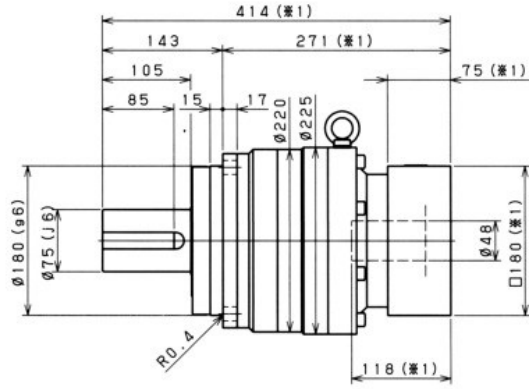
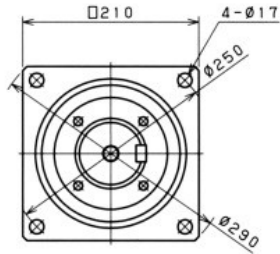
尺寸 Frame size	段位 Stage	减速比 Ratio	※1	※2	※3	※4	※5	※6	※7	
			容许 额定扭矩 Nominal output torque	容许 最大扭矩 Maximum output torque	紧急时 最大扭矩 Emergency stop torque	容许额定 输入转速 Nominal input speed	容许最高 输入转速 Maximum input speed	容许 径向负荷 Permitted radial load	容许 轴向负荷 Permitted axial load	
			[Nm]	[Nm]	[Nm]	[rpm]	[rpm]	[N]	[N]	
210	1段 Single	3	1000	1600	4000	1000	2000	17000	22000	
		4	1500	2300	5000	1000	2000	18000	22000	
		5	1500	2300	5000	1000	2000	20000	22000	
		6	1500	2300	5000	1000	2000	21000	22000	
		7	1500	2300	5000	1000	2000	22000	22000	
		8	1500	2200	5000	1000	2000	23000	22000	
		9	1000	1900	4000	1000	2000	24000	22000	
		10	1000	1600	4000	1000	2000	24000	22000	
		2段 Double	15	1000	1600	4000	1000	2000	24000	22000
			16	1500	2300	5000	1000	2000	24000	22000
	20		1500	2300	5000	1000	2000	24000	22000	
	25		1500	2300	5000	1000	2000	24000	22000	
	28		1500	2300	5000	1000	2000	24000	22000	
	30		1000	1600	4000	1000	2000	24000	22000	
	35		1500	2300	5000	1000	2000	24000	22000	
	40		1500	2300	5000	1000	2000	24000	22000	
	45		1000	1300	4000	1000	2000	24000	22000	
	50		1500	2300	5000	1000	2000	24000	22000	
	60	1500	2300	5000	1000	2000	24000	22000		
	70	1500	2300	5000	1000	2000	24000	22000		
80	1500	1800	5000	1000	2000	24000	22000			
90	1000	1300	4000	1000	2000	24000	22000			
100	1000	1200	4000	1000	2000	24000	22000			

尺寸 Frame size	段位 Stage	减速比 Ratio	※8	※9	※10	惯性力矩 Moment of inertia (≤ φ38)	惯性力矩 Moment of inertia (≤ φ48)	惯性力矩 Moment of inertia (≤ φ65)		
			容许最大 径向负荷 Maximum radial load	容许最大 轴向负荷 Maximum axial load	重量 Weight					
			[N]	[N]	[kg]					
210	1段 Single	3	24000	22000	59	-	92	150		
		4	24000	22000		-	63	120		
		5	24000	22000		-	53	110		
		6	24000	22000		-	47	110		
		7	24000	22000		-	43	100		
		8	24000	22000		-	40	100		
		9	24000	22000		-	39	99		
		10	24000	22000		-	38	98		
		2段 Double	15	24000		22000	60	14	36	-
			16	24000		22000		16	37	-
	20		24000	22000	14	36		-		
	25		24000	22000	14	35		-		
	28		24000	22000	15	36		-		
	30		24000	22000	12	34		-		
	35		24000	22000	13	35		-		
	40		24000	22000	12	33		-		
	45		24000	22000	13	35		-		
	50		24000	22000	12	33		-		
	60	24000	22000	12	33	-				
	70	24000	22000	12	33	-				
80	24000	22000	12	33	-					
90	24000	22000	12	33	-					
100	24000	22000	12	33	-					

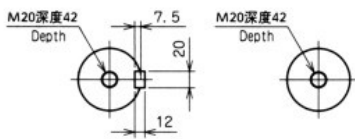
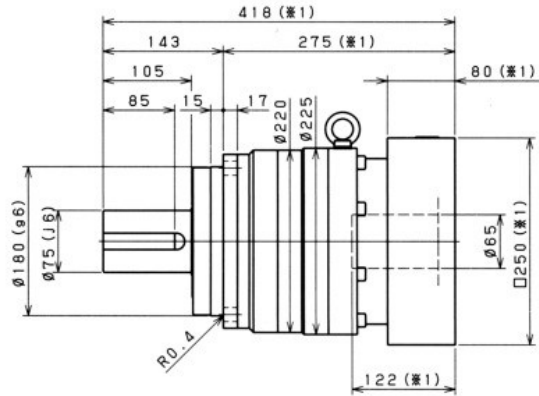
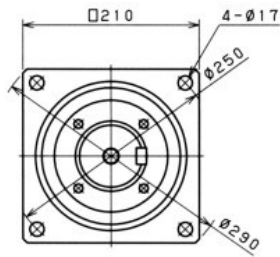
- ※ 1 输入转速为额定转速时,使用寿命为20000小时的值
 - ※ 2 启动、停止时容许的最大值
 - ※ 3 发生撞击时容许的最大值(频率最高为1000次)
 - ※ 4 运转过程中,额定输入转速的容许最大值
 - ※ 5 在非连续运转条件下容许的最高输入转速
 - ※ 6 输入转速为额定转速时,使用寿命为20000小时的值(作用于轴中央,轴向负荷为0时)
 - ※ 7 输入转速为额定转速时,使用寿命为20000小时的值(作用于轴芯,径向负荷为0时)
 - ※ 8 径向负荷的容许最大值
 - ※ 9 轴向负荷的容许最大值
 - ※ 10 因减速比和输入轴尺寸的不同而有所不同。
- ※ 1 With nominal input speed, service life is 20,000 hours.
 - ※ 2 The maximum torque when starting and stopping.
 - ※ 3 The maximum torque when it receives shock (up to 1,000 times)
 - ※ 4 The maximum average input speed.
 - ※ 5 The maximum momentary input speed.
 - ※ 6 With this load and nominal input speed, service life will be 20,000 hours (Applied to the output shaft center, at axial load 0)
 - ※ 7 With this load and nominal input speed, service life will be 20,000 hours (Applied to the output side bearing, at radial load 0)
 - ※ 8 The maximum radial load the reducer can accept.
 - ※ 9 The maximum axial load the reducer can accept.
 - ※ 10 The weight may vary slightly model to model.

EPS-210 1段 1stage

输入轴内径 Input shaft bore $\leq \phi 48$



输入轴内径 Input shaft bore $\leq \phi 65$



附带键轴
Shaft with key

无键轴
Smooth shaft

※ 1 随安装马达的不同而有所差异。

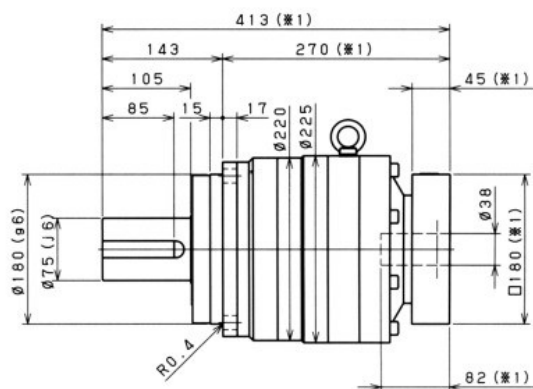
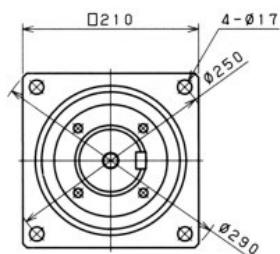
※ 2 马达轴径与输入轴径不同时，可插入轴套。

※ 1 Length will vary depending on motor.

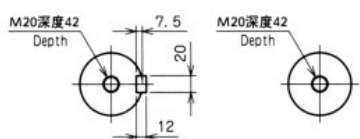
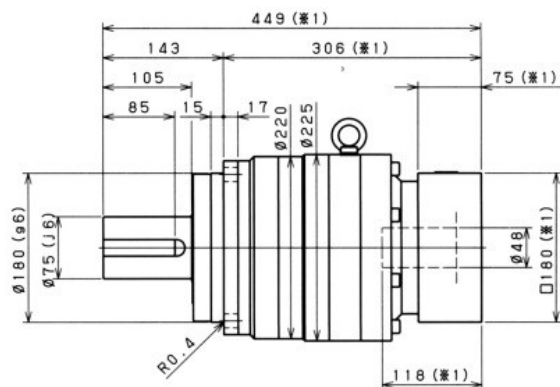
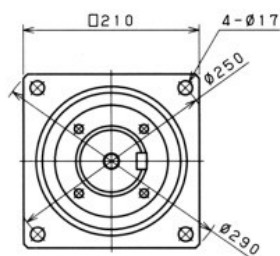
※ 2 Bushing will be inserted to adapt to motor shaft.

EPS-210 2段 2stage

输入轴内径 Input shaft bore $\leq \phi 38$



输入轴内径 Input shaft bore $\leq \phi 48$



附带键轴
Shaft with key

无键轴
Smooth shaft

- ※ 1 随安装马达的不同而有所差异。
- ※ 2 马达轴径与输入轴径不同时，可插入轴套。
- ※ 1 Length will vary depending on motor.
- ※ 2 Bushing will be inserted to adapt to motor shaft.

尺寸 Frame size	段位 Stage	减速比 Ratio	※1	※2	※3	※4	※5	※6	※7	
			容许 额定扭矩 Nominal output torque	容许 最大扭矩 Maximum output torque	紧急时 最大扭矩 Emergency stop torque	容许额定 输入转速 Nominal input speed	容许最高 输入转速 Maximum input speed	容许 径向负荷 Permitted radial load	容许 轴向负荷 Permitted axial load	
			[Nm]	[Nm]	[Nm]	[rpm]	[rpm]	[N]	[N]	
240	1段 Single	3	1600	2500	6000	1000	2000	21000	27000	
		4	2400	3700	8000	1000	2000	22000	27000	
		5	2400	3700	8000	1000	2000	24000	27000	
		6	2400	3700	8000	1000	2000	25000	27000	
		7	2400	3700	8000	1000	2000	26000	27000	
		8	2400	3600	8000	1000	2000	28000	27000	
		9	1600	3000	6000	1000	2000	29000	27000	
		10	1600	2600	6000	1000	2000	29000	27000	
		2段 Double	15	1600	2500	6000	1000	2000	30000	27000
			16	2400	3700	8000	1000	2000	30000	27000
	20		2400	3700	8000	1000	2000	30000	27000	
	25		2400	3700	8000	1000	2000	30000	27000	
	28		2400	3700	8000	1000	2000	30000	27000	
	30		1600	2500	6000	1000	2000	30000	27000	
	35		2400	3700	8000	1000	2000	30000	27000	
	40		2400	3700	8000	1000	2000	30000	27000	
	45		1600	2100	6000	1000	2000	30000	27000	
	50		2400	3700	8000	1000	2000	30000	27000	
	60	2400	3700	8000	1000	2000	30000	27000		
	70	2400	3700	8000	1000	2000	30000	27000		
80	2400	2700	8000	1000	2000	30000	27000			
90	1600	2100	6000	1000	2000	30000	27000			
100	1600	1800	6000	1000	2000	30000	27000			

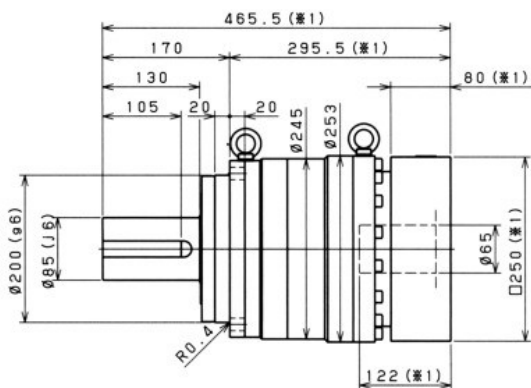
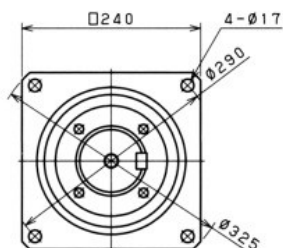
尺寸 Frame size	段位 Stage	减速比 Ratio	※8	※9	※10	惯性力矩 Moment of inertia ($\leq \phi 48$) [kgcm ²]	惯性力矩 Moment of inertia ($\leq \phi 65$) [kgcm ²]		
			容许最大 径向负荷 Maximum radial load	容许最大 轴向负荷 Maximum axial load	重量 Weight				
			[N]	[N]	[kg]				
240	1段 Single	3	30000	27000	85	-	220		
		4	30000	27000		-	160		
		5	30000	27000		-	130		
		6	30000	27000		-	120		
		7	30000	27000		-	110		
		8	30000	27000		-	110		
		9	30000	27000		-	110		
		10	30000	27000		-	100		
		2段 Double	15	30000		27000	89	40	-
			16	30000		27000		43	-
	20		30000	27000	39	-			
	25		30000	27000	39	-			
	28		30000	27000	41	-			
	30		30000	27000	35	-			
	35		30000	27000	38	-			
	40		30000	27000	35	-			
	45		30000	27000	38	-			
	50		30000	27000	35	-			
	60	30000	27000	35	-				
	70	30000	27000	34	-				
80	30000	27000	34	-					
90	30000	27000	34	-					
100	30000	27000	34	-					

- ※ 1 输入转速为额定转速时，使用寿命为20000小时的值
- ※ 2 启动、停止时容许的最大值
- ※ 3 发生撞击时容许的最大值（频率最高为1000次）
- ※ 4 运转过程中，额定输入转速的容许最大值
- ※ 5 在非连续运转条件下容许的最高输入转速
- ※ 6 输入转速为额定转速时，使用寿命为20000小时的值（作用于轴中央，轴向负荷为0时）
- ※ 7 输入转速为额定转速时，使用寿命为20000小时的值（作用于轴芯，径向负荷为0时）
- ※ 8 径向负荷的容许最大值
- ※ 9 轴向负荷的容许最大值
- ※10 因减速比和输入轴尺寸的不同而有所不同。

- ※ 1 With nominal input speed, service life is 20,000 hours.
- ※ 2 The maximum torque when starting and stopping.
- ※ 3 The maximum torque when it receives shock (up to 1,000 times)
- ※ 4 The maximum average input speed.
- ※ 5 The maximum momentary input speed.
- ※ 6 With this load and nominal input speed, service life will be 20,000 hours (Applied to the output shaft center, at axial load 0)
- ※ 7 With this load and nominal input speed, service life will be 20,000 hours (Applied to the output side bearing, at radial load 0)
- ※ 8 The maximum radial load the reducer can accept.
- ※ 9 The maximum axial load the reducer can accept.
- ※ 10 The weight may vary slightly model to model.

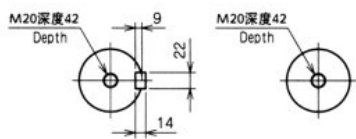
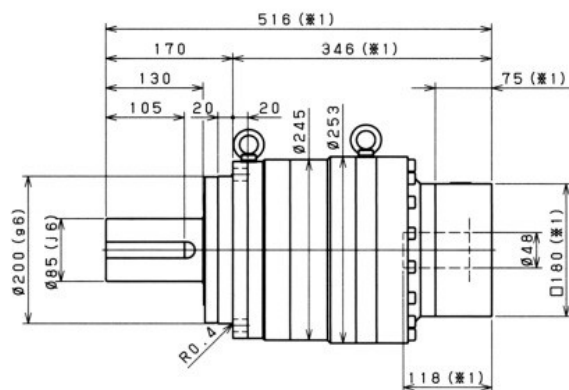
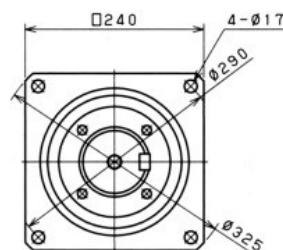
EPS-240 1段 1stage

输入轴内径 Input shaft bore $\leq \phi 65$



EPS-240 2段 2stage

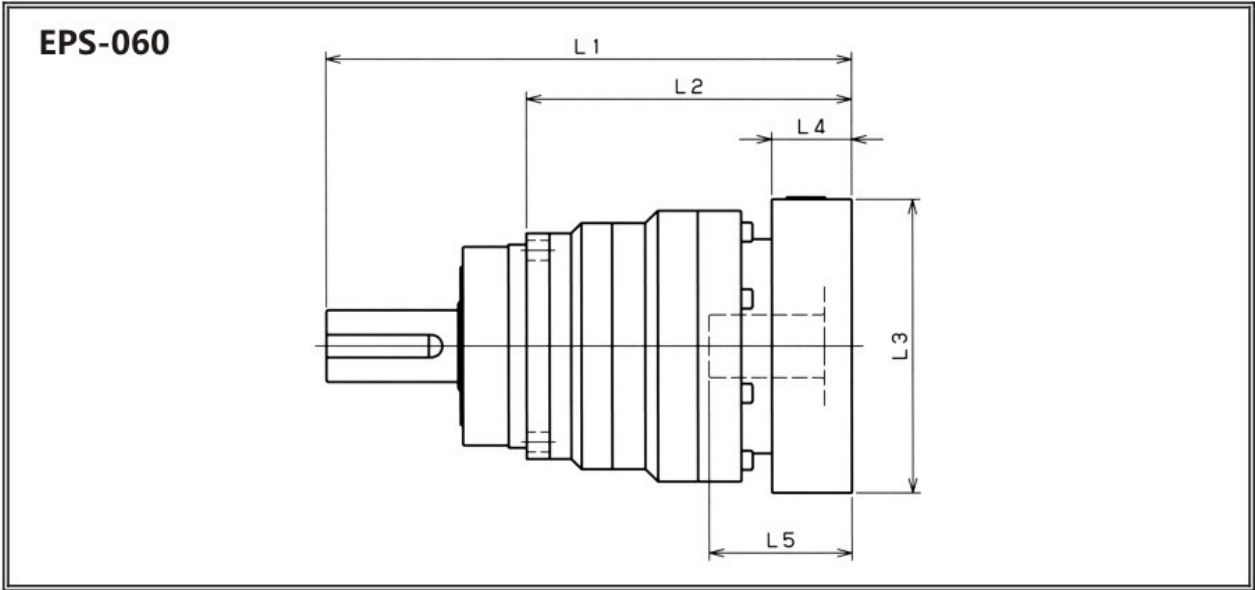
输入轴内径 Input shaft bore $\leq \phi 48$



附带键轴
Shaft with key

无键轴
Smooth shaft

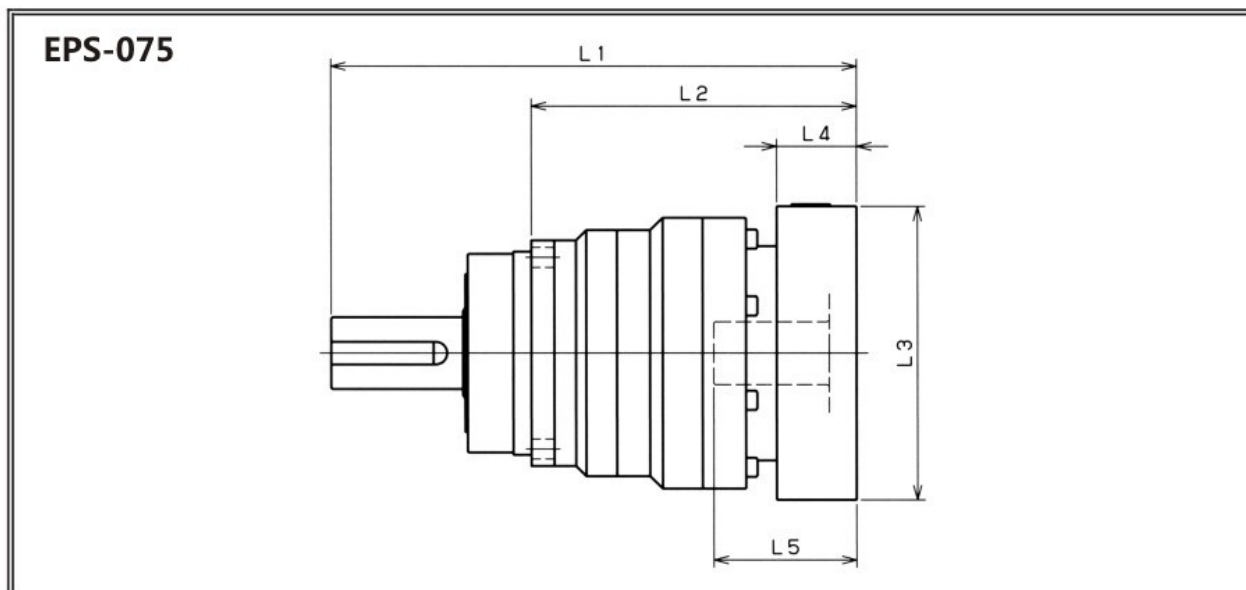
- ※ 1 随安装马达的不同而有所差异。
- ※ 2 马达轴径与输入轴径不同时，可插入轴套。
- ※ 1 Length will vary depending on motor.
- ※ 2 Bushing will be inserted to adapt to motor shaft.



型号 Model number	**: 输入法兰编号 ** : Input flange code	1段 Single					2段 Double				
		L1	L2	L3	L4	L5	L1	L2	L3	L4	L5
EPS-060-□-□-8** (输入轴内径 $\leq \phi 8$) Input shaft bore $\leq \phi 8$	AA·AC·AD·AF·AG	132	84	□52	15.5	32	151	103	□52	15.5	32
	AB·AE·AH·AJ·AK	137	89	□52	20.5	37	156	108	□52	20.5	37
	BA·BB·BD·BE	132	84	□60	15.5	32	151	103	□60	15.5	32
	BC·BF	137	89	□60	20.5	37	156	108	□60	20.5	37
	CA	137	89	□70	20.5	37	156	108	□70	20.5	37
EPS-060-□-□-14** (输入轴内径 $\leq \phi 14$) Input shaft bore $\leq \phi 14$	BA·BB·BD·BE·BF·BG·BJ·BK	135	87	□65	16.5	35	156	108	□65	16.5	35
	BC·BH·BM	140	92	□65	21.5	40	161	113	□65	21.5	40
	BL	145	97	□65	26.5	45	166	118	□65	26.5	45
	CA	135	87	□70	16.5	35	156	108	□70	16.5	35
	CB	140	92	□70	21.5	40	161	113	□70	21.5	40
	DA·DB·DC·DD·DF·DH	135	87	□80	16.5	35	156	108	□80	16.5	35
	DE	140	92	□80	21.5	40	161	113	□80	21.5	40
	DG	145	97	□80	26.5	45	166	118	□80	26.5	45
	EA·EB·EC	135	87	□90	16.5	35	156	108	□90	16.5	35
	ED	145	97	□90	26.5	45	166	118	□90	26.5	45
	FA	135	87	□100	16.5	35	156	108	□100	16.5	35
EPS-060-□-□-19** (输入轴内径 $\leq \phi 19$) Input shaft bore $\leq \phi 19$	GA	135	87	□115	16.5	35	156	108	□115	16.5	35
	DA·DB·DC	150	102	□80	25	50					
	DD	160	112	□80	35	60					
	DE	155	107	□80	30	55					
	EA	155	107	□90	30	55					
	EB	150	102	□90	25	50					
	EC	160	112	□90	35	60					
	FA	150	102	□100	25	50					
	FB	160	112	□100	35	60					
	GA·GC	155	107	□115	30	55					
	GB·GD	150	102	□115	25	50					
	HA	150	102	□130	25	50					
	HB	165	117	□130	40	65					
HC·HD·HE	155	107	□130	30	55						

※ 1 1段减速: 1/3~1/10; 2段减速: 1/15~1/100
 ※ 2 马达轴径与输入轴径不同时, 可插入轴套。

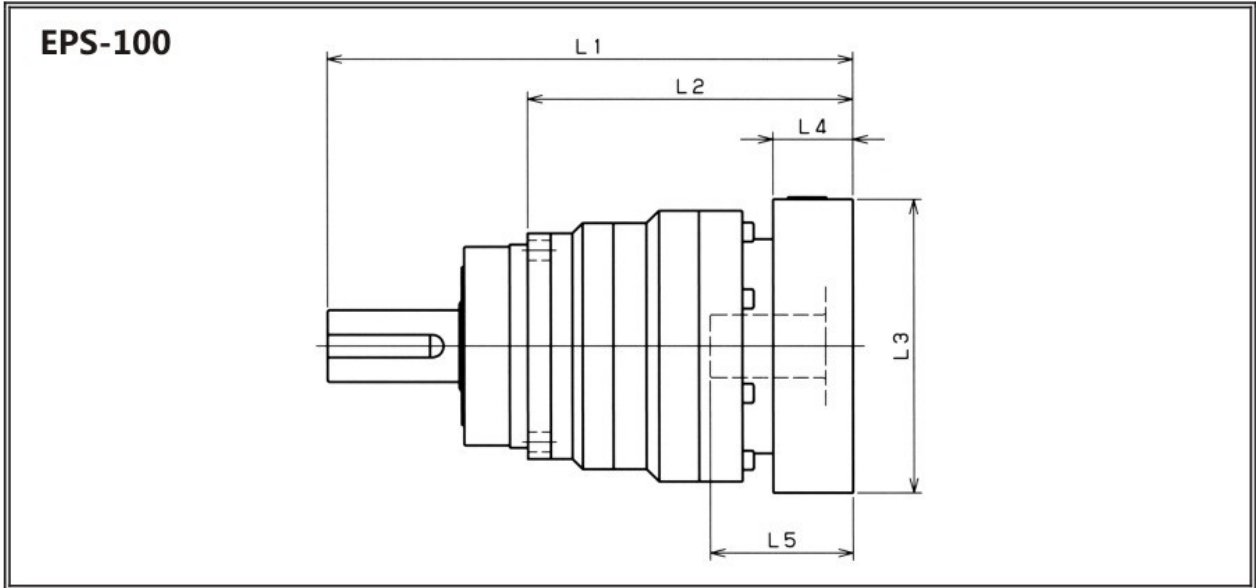
※ 1 Single reduction: 1/3~1/10, Double reduction: 1/15~1/100
 ※ 2 Bushing will be inserted to adapt to motor shaft.



型号 Model number	** : 输入法兰编号 ** : Input flange code	1段 Single					2段 Double				
		L1	L2	L3	L4	L5	L1	L2	L3	L4	L5
EPS-075-□-□-8** (输入轴内径 ≤ φ8 Input shaft bore ≤ φ8)	AA·AC·AD·AF·AG	/	/	/	/	/	181.5	125.5	□52	15.5	32
	AB·AE·AH·AJ·AK	/	/	/	/	/	186.5	130.5	□52	20.5	37
	BA·BB·BD·BE	/	/	/	/	/	181.5	125.5	□60	15.5	32
	BC·BF	/	/	/	/	/	186.5	130.5	□60	20.5	37
	CA	/	/	/	/	/	186.5	130.5	□70	20.5	37
EPS-075-□-□-14** (输入轴内径 ≤ φ14 Input shaft bore ≤ φ14)	BA·BB·BD·BE·BF·BG·BJ·BK	164.5	108.5	□65	16.5	35	186.5	130.5	□65	16.5	35
	BC·BH·BM	169.5	113.5	□65	21.5	40	191.5	135.5	□65	21.5	40
	BL	174.5	118.5	□65	26.5	45	196.5	140.5	□65	26.5	45
	CA	164.5	108.5	□70	16.5	35	186.5	130.5	□70	16.5	35
	CB	169.5	113.5	□70	21.5	40	191.5	135.5	□70	21.5	40
	DA·DB·DC·DD·DF·DH	164.5	108.5	□80	16.5	35	186.5	130.5	□80	16.5	35
	DE	169.5	113.5	□80	21.5	40	191.5	135.5	□80	21.5	40
	DG	174.5	118.5	□80	26.5	45	196.5	140.5	□80	26.5	45
	EA·EB·EC	164.5	108.5	□90	16.5	35	186.5	130.5	□90	16.5	35
	ED	174.5	118.5	□90	26.5	45	196.5	140.5	□90	26.5	45
	FA	164.5	108.5	□100	16.5	35	186.5	130.5	□100	16.5	35
	GA	164.5	108.5	□115	16.5	35	186.5	130.5	□115	16.5	35
EPS-075-□-□-19** (输入轴内径 ≤ φ19 Input shaft bore ≤ φ19)	DA·DB·DC	174.5	118.5	□80	25	50	196.5	140.5	□80	25	50
	DD	184.5	128.5	□80	35	60	206.5	150.5	□80	35	60
	DE	179.5	123.5	□80	30	55	201.5	145.5	□80	30	55
	EA	179.5	123.5	□90	30	55	201.5	145.5	□90	30	55
	EB	174.5	118.5	□90	25	50	196.5	140.5	□90	25	50
	EC	184.5	128.5	□90	35	60	206.5	150.5	□90	35	60
	FA	174.5	118.5	□100	25	50	196.5	140.5	□100	25	50
	FB	184.5	128.5	□100	35	60	206.5	150.5	□100	35	60
	GA·GC	179.5	123.5	□115	30	55	201.5	145.5	□115	30	55
	GB·GD	174.5	118.5	□115	25	50	196.5	140.5	□115	25	50
	HA	174.5	118.5	□130	25	50	196.5	140.5	□130	25	50
	HB	189.5	133.5	□130	40	65	211.5	155.5	□130	40	65
HC·HD·HE	179.5	123.5	□130	30	55	201.5	145.5	□130	30	55	
EPS-075-□-□-28** (输入轴内径 ≤ φ28 Input shaft bore ≤ φ28)	FA·FB·FC	191.5	135.5	□100	35	67	/	/	/	/	/
	GA·GB·GC·GD·GE·GF·GG	191.5	135.5	□115	35	67	/	/	/	/	/
	HA·HC·HD	191.5	135.5	□130	35	67	/	/	/	/	/
	HB	201.5	145.5	□130	45	77	/	/	/	/	/
	JA·JB·JC	191.5	135.5	□150	35	67	/	/	/	/	/
	KA·KB	191.5	135.5	□180	35	67	/	/	/	/	/
	KD	201.5	145.5	□180	45	77	/	/	/	/	/
LA	191.5	135.5	□200	35	67	/	/	/	/	/	
MA	191.5	135.5	□220	35	67	/	/	/	/	/	

※ 1 1段减速: 1/3~1/10; 2段减速: 1/15~1/100
 ※ 2 马达轴径与输入轴径不同时, 可插入轴套。

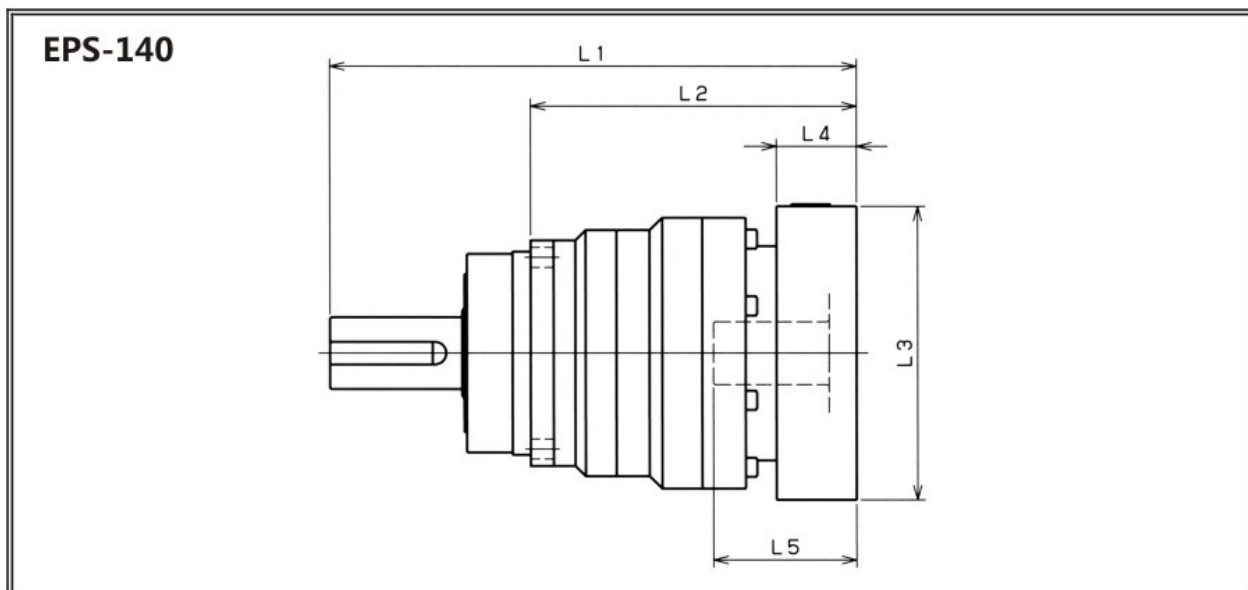
※ 1 Single reduction: 1/3~1/10, Double reduction: 1/15~1/100
 ※ 2 Bushing will be inserted to adapt to motor shaft.



型号 Model number	** : 输入法兰编号 ** : Input flange code	1段 Single					2段 Double					
		L1	L2	L3	L4	L5	L1	L2	L3	L4	L5	
EPS-100-□-□-14** (输入轴内径 $\leq \phi 14$ Input shaft bore $\leq \phi 14$)	BA·BB·BD·BE·BF·BG·BJ·BK	/	/	/	/	/	231	143	□65	16.5	35	
	BC·BH·BM	/	/	/	/	/	236	148	□65	21.5	40	
	BL	/	/	/	/	/	241	153	□65	26.5	45	
	CA	/	/	/	/	/	231	143	□70	16.5	35	
	CB	/	/	/	/	/	236	148	□70	21.5	40	
	DA·DB·DC·DD·DF·DH	/	/	/	/	/	231	143	□80	16.5	35	
	DE	/	/	/	/	/	236	148	□80	21.5	40	
	DG	/	/	/	/	/	241	153	□80	26.5	45	
	EA·EB·EC	/	/	/	/	/	231	143	□90	16.5	35	
	ED	/	/	/	/	/	241	153	□90	26.5	45	
	FA	/	/	/	/	/	231	143	□100	16.5	35	
	GA	/	/	/	/	/	231	143	□115	16.5	35	
	EPS-100-□-□-19** (输入轴内径 $\leq \phi 19$ Input shaft bore $\leq \phi 19$)	DA·DB·DC	213.5	125.5	□80	25	50	241	153	□80	25	50
		DD	223.5	135.5	□80	35	60	251	163	□80	35	60
DE		218.5	130.5	□80	30	55	246	158	□80	30	55	
EA		218.5	130.5	□90	30	55	246	158	□90	30	55	
EB		213.5	125.5	□90	25	50	241	153	□90	25	50	
EC		223.5	135.5	□90	35	60	251	163	□90	35	60	
FA		213.5	125.5	□100	25	50	241	153	□100	25	50	
FB		223.5	135.5	□100	35	60	251	163	□100	35	60	
GA·GC		218.5	130.5	□115	30	55	246	158	□115	30	55	
GB·GD		213.5	125.5	□115	25	50	241	153	□115	25	50	
HA		213.5	125.5	□130	25	50	241	153	□130	25	50	
HB		228.5	140.5	□130	40	65	256	168	□130	40	65	
HC·HD·HE	218.5	130.5	□130	30	55	246	158	□130	30	55		
EPS-100-□-□-28** (输入轴内径 $\leq \phi 28$ Input shaft bore $\leq \phi 28$)	FA·FB·FC	230.5	142.5	□100	35	67	258	170	□100	35	67	
	GA·GB·GC·GD·GE·GF·GG	230.5	142.5	□115	35	67	258	170	□115	35	67	
	HA·HC·HD	230.5	142.5	□130	35	67	258	170	□130	35	67	
	HB	240.5	152.5	□130	45	77	268	180	□130	45	77	
	JA·JB·JC	230.5	142.5	□150	35	67	258	170	□150	35	67	
	KA·KB	230.5	142.5	□180	35	67	258	170	□180	35	67	
	KD	240.5	152.5	□180	45	77	268	180	□180	45	77	
	LA	230.5	142.5	□200	35	67	258	170	□200	35	67	
EPS-100-□-□-38** (输入轴内径 $\leq \phi 38$ Input shaft bore $\leq \phi 38$)	MA	230.5	142.5	□220	35	67	258	170	□220	35	67	
	HA	251.5	163.5	□130	45	82	/	/	/	/	/	
	HB	246.5	158.5	□130	40	77	/	/	/	/	/	
	JA	251.5	163.5	□150	45	82	/	/	/	/	/	
	KA·KB·KC	251.5	163.5	□180	45	82	/	/	/	/	/	
	LA	251.5	163.5	□200	45	82	/	/	/	/	/	
	LB	261.5	173.5	□200	55	92	/	/	/	/	/	
	MA·MB	251.5	163.5	□220	45	82	/	/	/	/	/	
NA	251.5	163.5	□250	45	82	/	/	/	/	/		

※ 1 1段减速 : 1/3~1/10; 2段减速 : 1/15~1/100
 ※ 2 马达轴径与输入轴径不同时, 可插入轴套。

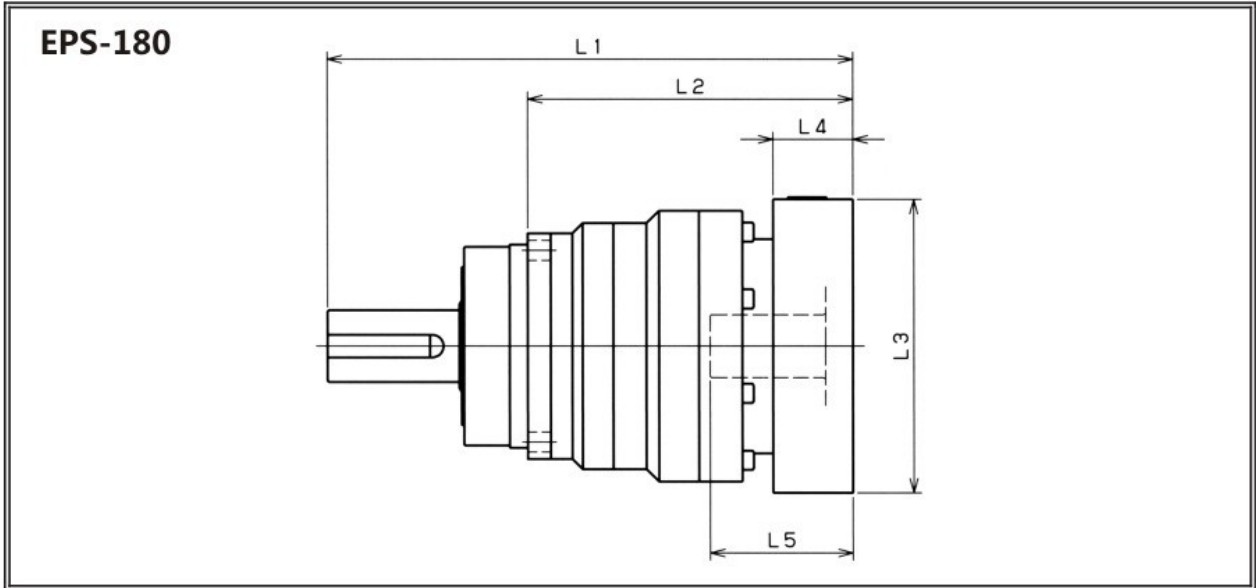
※ 1 Single reduction: 1/3~1/10, Double reduction: 1/15~1/100
 ※ 2 Bushing will be inserted to adapt to motor shaft.



型号 Model number	** : 输入法兰编号 ** : Input flange code	1段 Single					2段 Double				
		L1	L2	L3	L4	L5	L1	L2	L3	L4	L5
EPS-140-□-□-19** (输入轴内径 ≤ φ19 Input shaft bore ≤ φ19)	DA·DB·DC	/	/	/	/	/	291.5	179.5	□80	25	50
	DD	/	/	/	/	/	301.5	189.5	□80	35	60
	DE	/	/	/	/	/	296.5	184.5	□80	30	55
	EA	/	/	/	/	/	296.5	184.5	□90	30	55
	EB	/	/	/	/	/	291.5	179.5	□90	25	50
	EC	/	/	/	/	/	301.5	189.5	□90	35	60
	FA	/	/	/	/	/	291.5	179.5	□100	25	50
	FB	/	/	/	/	/	301.5	189.5	□100	35	60
	GA·GC	/	/	/	/	/	296.5	184.5	□115	30	55
	GB·GD	/	/	/	/	/	291.5	179.5	□115	25	50
	HA	/	/	/	/	/	291.5	179.5	□130	25	50
	HB	/	/	/	/	/	306.5	194.5	□130	40	65
	HC·HD·HE	/	/	/	/	/	296.5	184.5	□130	30	55
EPS-140-□-□-28** (输入轴内径 ≤ φ28 Input shaft bore ≤ φ28)	FA·FB·FC	274	162	□100	35	67	308.5	196.5	□100	35	67
	GA·GB·GC·GD·GE·GF·GG	274	162	□115	35	67	308.5	196.5	□115	35	67
	HA·HC·HD	274	162	□130	35	67	308.5	196.5	□130	35	67
	HB	284	172	□130	45	77	318.5	206.5	□130	45	77
	JA·JB·JC	274	162	□150	35	67	308.5	196.5	□150	35	67
	KA·KB	274	162	□180	35	67	308.5	196.5	□180	35	67
	KD	284	172	□180	45	77	318.5	206.5	□180	45	77
	LA	274	162	□200	35	67	308.5	196.5	□200	35	67
MA	274	162	□220	35	67	308.5	196.5	□220	35	67	
EPS-140-□-□-38** (输入轴内径 ≤ φ38 Input shaft bore ≤ φ38)	HA	289	177	□130	45	82	323.5	211.5	□130	45	82
	HB	284	172	□130	40	77	318.5	206.5	□130	40	77
	JA	289	177	□150	45	82	323.5	211.5	□150	45	82
	KA·KB·KC	289	177	□180	45	82	323.5	211.5	□180	45	82
	LA	289	177	□200	45	82	323.5	211.5	□200	45	82
	LB	299	187	□200	55	92	333.5	221.5	□200	55	92
	MA·MB	289	177	□220	45	82	323.5	211.5	□220	45	82
NA	289	177	□250	45	82	323.5	211.5	□250	45	82	
EPS-140-□-□-48** (输入轴内径 ≤ φ48 Input shaft bore ≤ φ48)	KB·KC	310	198	□180	55	98	/	/	/	/	/
	KA	330	218	□180	75	118	/	/	/	/	/
	LA	310	198	□200	55	98	/	/	/	/	/
	MA	310	198	□220	55	98	/	/	/	/	/
	MB	330	218	□220	75	118	/	/	/	/	/
	NA	330	218	□250	75	118	/	/	/	/	/
	PA	330	218	□280	75	118	/	/	/	/	/

※ 1 1段减速 : 1/3~1/10; 2段减速 : 1/15~1/100
 ※ 2 马达轴径与输入轴径不同时, 可插入轴套。

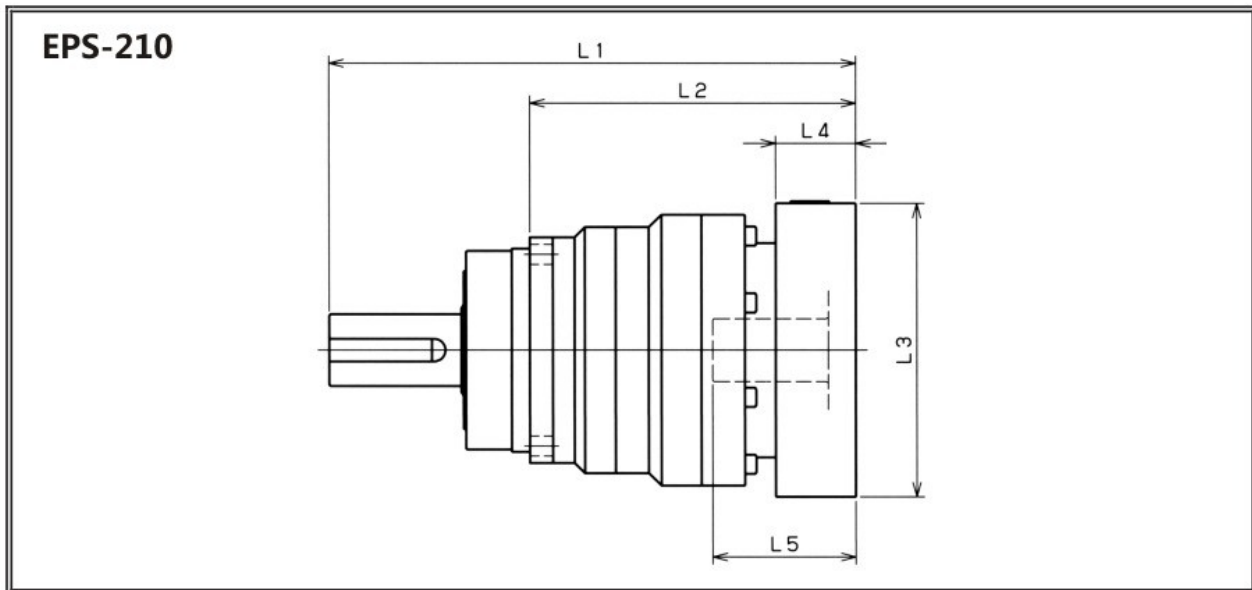
※ 1 Single reduction: 1/3~1/10, Double reduction: 1/15~1/100
 ※ 2 Bushing will be inserted to adapt to motor shaft.



型号 Model number	** : 输入法兰编号 ** : Input flange code	1段 Single					2段 Double				
		L1	L2	L3	L4	L5	L1	L2	L3	L4	L5
EPS-180-□-□-28** (输入轴内径 $\leq \phi 28$ Input shaft bore $\leq \phi 28$)	FA·FB·FC						345	233	□100	35	67
	GA·GB·GC·GD·GE·GF·GG						345	233	□115	35	67
	HA·HC·HD						345	233	□130	35	67
	HB						355	243	□130	45	77
	JA·JB·JC						345	233	□150	35	67
	KA·KB						345	233	□180	35	67
	KD						355	243	□180	45	77
	LA						345	233	□200	35	67
	MA						345	233	□220	35	67
EPS-180-□-□-38** (输入轴内径 $\leq \phi 38$ Input shaft bore $\leq \phi 38$)	HA	315.5	203.5	□130	45	82	360	248	□130	45	82
	HB	310.5	198.5	□130	40	77	355	243	□130	40	77
	JA	315.5	203.5	□150	45	82	360	248	□150	45	82
	KA·KB·KC	315.5	203.5	□180	45	82	360	248	□180	45	82
	LA	315.5	203.5	□200	45	82	360	248	□200	45	82
	LB	325.5	213.5	□200	55	92	370	258	□200	55	92
	MA·MB	315.5	203.5	□220	45	82	360	248	□220	45	82
	NA	315.5	203.5	□250	45	82	360	248	□250	45	82
EPS-180-□-□-48** (输入轴内径 $\leq \phi 48$ Input shaft bore $\leq \phi 48$)	KB·KC	331.5	219.5	□180	55	98	376	264	□180	55	98
	KA	351.5	239.5	□180	75	118	396	284	□180	75	118
	LA	331.5	219.5	□200	55	98	376	264	□200	55	98
	MA	331.5	219.5	□220	55	98	376	264	□220	55	98
	MB	351.5	239.5	□220	75	118	396	284	□220	75	118
	NA	351.5	239.5	□250	75	118	396	284	□250	75	118
EPS-180-□-□-65** (输入轴内径 $\leq \phi 65$ Input shaft bore $\leq \phi 65$)	PA	351.5	239.5	□280	75	118	396	284	□280	75	118
	MA·MB·MC·MD	363	251	□220	80	122					
	NA	363	251	□250	80	122					
	PA	383	271	□280	100	142					
	PB	393	281	□280	110	152					
	QA	383	271	□320	100	142					

※ 1 1段减速 : 1/3~1/10; 2段减速 : 1/15~1/100
 ※ 2 马达轴径与输入轴径不同时, 可插入轴套。

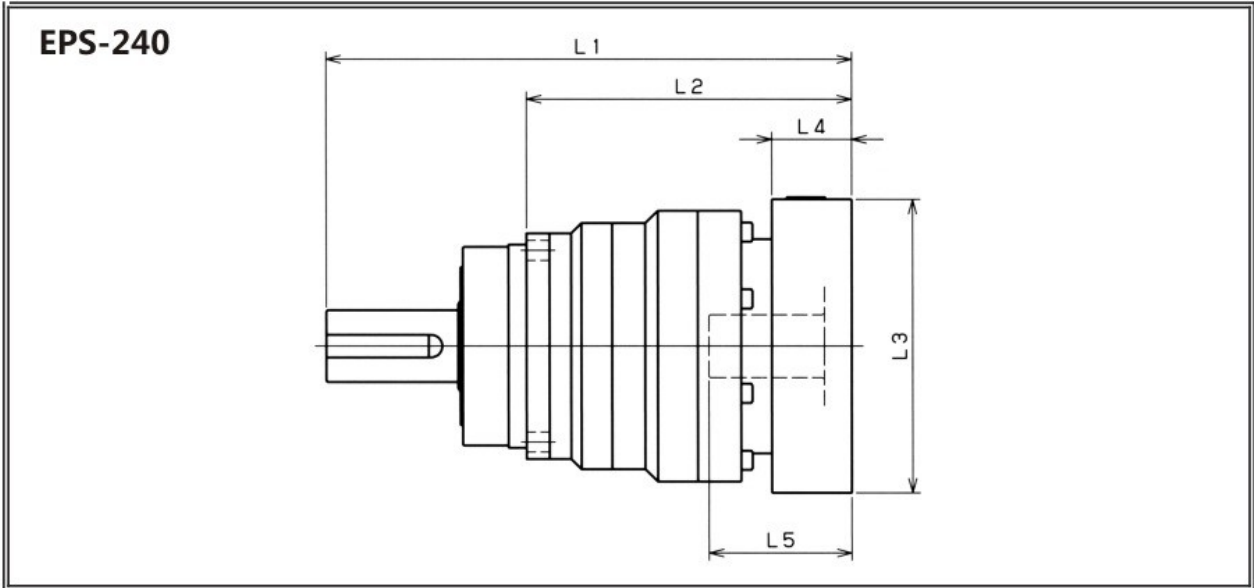
※ 1 Single reduction: 1/3~1/10, Double reduction: 1/15~1/100
 ※ 2 Bushing will be inserted to adapt to motor shaft.



型号 Model number	**: 输入法兰编号 **: Input flange code	1段 Single					2段 Double				
		L1	L2	L3	L4	L5	L1	L2	L3	L4	L5
EPS-210-□-□-38** (输入轴内径 ≤ φ38 Input shaft bore ≤ φ38)	HA						413	270	□130	45	82
	HB						408	265	□130	40	77
	JA						413	270	□150	45	82
	KA·KB·KC						413	270	□180	45	82
	LA						413	270	□200	45	82
	LB						423	280	□200	55	92
	MA·MB						413	270	□220	45	82
	NA						413	270	□250	45	82
EPS-210-□-□-48** (输入轴内径 ≤ φ48 Input shaft bore ≤ φ48)	KB·KC	394	251	□180	55	98	429	286	□180	55	98
	KA	414	271	□180	75	118	449	306	□180	75	118
	LA	394	251	□200	55	98	429	286	□200	55	98
	MA	394	251	□220	55	98	429	286	□220	55	98
	MB	414	271	□220	75	118	449	306	□220	75	118
	NA	414	271	□250	75	118	449	306	□250	75	118
	PA	414	271	□280	75	118	449	306	□280	75	118
EPS-210-□-□-65** (输入轴内径 ≤ φ65 Input shaft bore ≤ φ65)	MA·MB·MC·MD	418	275	□220	80	122					
	NA	418	275	□250	80	122					
	PA	438	295	□280	100	142					
	PB	448	305	□280	110	152					
	QA	438	295	□320	100	142					

※ 1 1段减速: 1/3~1/10; 2段减速: 1/15~1/100
 ※ 2 马达轴径与输入轴径不同时, 可插入轴套。

※ 1 Single reduction: 1/3~1/10, Double reduction: 1/15~1/100
 ※ 2 Bushing will be inserted to adapt to motor shaft.



型号 Model number	** : 输入法兰编号 ** : Input flange code	1段 Single					2段 Double				
		L1	L2	L3	L4	L5	L1	L2	L3	L4	L5
EPS-240-□-□-48** (输入轴内径 ≤ φ48 Input shaft bore ≤ φ48)	KB·KC	/	/	/	/	/	496	326	□180	55	98
	KA	/	/	/	/	/	516	346	□180	75	118
	LA	/	/	/	/	/	496	326	□200	55	98
	MA	/	/	/	/	/	496	326	□220	55	98
	MB	/	/	/	/	/	516	346	□220	75	118
	NA	/	/	/	/	/	516	346	□250	75	118
	PA	/	/	/	/	/	516	346	□280	75	118
EPS-240-□-□-65** (输入轴内径 ≤ φ65 Input shaft bore ≤ φ65)	MA·MB·MC·MD	465.5	295.5	□220	80	122	/	/	/	/	/
	NA	465.5	295.5	□250	80	122	/	/	/	/	/
	PA	485.5	315.5	□280	100	142	/	/	/	/	/
	PB	495.5	325.5	□280	110	152	/	/	/	/	/
	QA	485.5	315.5	□320	100	142	/	/	/	/	/

※ 1 1段减速 : 1/3 ~ 1/10; 2段减速 : 1/15 ~ 1/100
 ※ 2 马达轴径与输入轴径不同时, 可插入轴套。

※ 1 Single reduction: 1/3 ~ 1/10, Double reduction: 1/15 ~ 1/100
 ※ 2 Bushing will be inserted to adapt to motor shaft.

尺寸 Frame size	段位 Stage	※ 1	※ 2	※ 3	周围温度 Ambient temperature [°C]	※ 4
		背隙 Backlash [arc-min]	扭矩刚性 Torsional rigidity [Nm/arc-min]	无负荷 转动扭矩 No load running torque [Nm]		减速机 容许最高温度 Permitted housing temperature [°C]
EPT-047	1 段 Single	3	2	0.03	0-40	90
	2 段 Double	5		0.01		
EPS-060 EPT-064	1 段 Single	3	3	0.08		
	2 段 Double			0.04		
EPS-075 EPT-090	1 段 Single	3	10	0.17		
	2 段 Double			0.05		
EPS-100 EPT-110	1 段 Single	3	31	0.77		
	2 段 Double			0.17		
EPS-140 EPT-140	1 段 Single	3	60	1.0		
	2 段 Double			0.54		
EPS-180 EPT-200	1 段 Single	3	175	1.9		
	2 段 Double			1.3		
EPS-210	1 段 Single	3	400	1.5		
	2 段 Double			1.1		
EPS-240 EPT-255	1 段 Single	3	550	2.5		
	2 段 Double			1.0		
EPT-285	1 段 Single	3	850	2.7		
	2 段 Double			0.6		

※ 1 扭矩-扭转角线图的零扭矩部分

※ 2 扭矩-扭转角线图的直线（钢线）部分

※ 3 使输入侧在容许平均输入转速、无负荷旋转时需要的输入侧扭矩。

减速比（1段型）：1/10

减速比（2段型）：1/70

※ 4 减速机能承受的最高温度

连续运转的情况下根据负荷的大小不同有可能会超过容许值，需要准备强制冷却。

※ 1 Torque - part of the zero torque twist angle diagram

※ 2 Torque - twist angle of the straight line diagram (stiffness) part

※ 3 Average allowable input rotational speed input side, the input side of the torque required when rotating with no load

Reduction ratio (single reduction): 1/10

Reduction ratio (double reduction): 1/70

※ 4 The maximum temperature a reduction gear can withstand

For continuous operation, it is necessary to prepare the forced cooling because it may exceed the allowable temperature depending on the size of the load

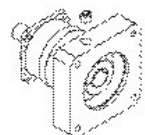
9、安装方法/ Installation

1 安装马达的步骤 Mounting procedure to the motor

1 擦拭马达轴上的防锈剂、润滑脂等。
Wipe off anti-rust agent and oil on the motor shaft.

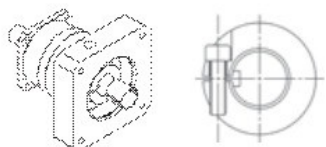


2 取下橡皮栓。
Remove the plug.

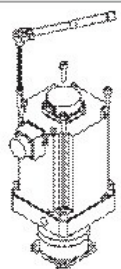


3 旋转输入轴使用紧固螺栓的头对准塞孔。此时，请确认紧固螺栓是松动的。
Turn the input shaft until the cap screw is seen. Make sure the cap screw is loosened.

如带有轴套，安装方法如图所示。
In case the bushing has been attached, Please fix it to the reducer as the drawing below.



4 将减速机垂直放置在平坦的地方，使减速机的马达安装面朝上侧。将马达轴慢慢地插入输入轴，注意避免撞击到输入轴，请确认马达的法兰面紧靠减速机的法兰面。按指定的紧固扭矩拧紧马达安装螺栓。（参考表1）
Please place reducer vertically on the flat surface so the motor mounting part faces up. Carefully insert the motor shaft into the input shaft. (It should be inserted smoothly) Make sure the motor flange is perfectly fit to the reducer's flange. Tighten the motor installing bolts to the proper torque. (See table1)



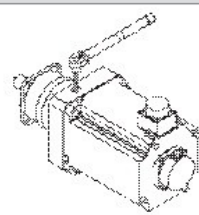
2 减速机的安装

要将减速机安装到设备上时，请先确认安装面平坦且没有毛刺等，然后使用转矩扳手等按照指定的紧固扭矩拧紧螺栓。（参考表2）

Reducer installation

After confirming the installation surface is flat and clean, tighten the bolt using a torque wrench to the proper torque. (See table2)

5 使用转矩扳手等按照指定的紧固扭矩拧紧紧固螺栓。（参考表1）
Tighten the clamping bolt of the input shaft with torque wrench to the proper torque. (See table1)



6 安装上橡皮栓，安装完成。
Reinstall the plug. The procedure is done.

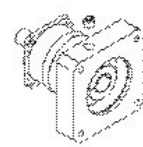


表 1 Table 1

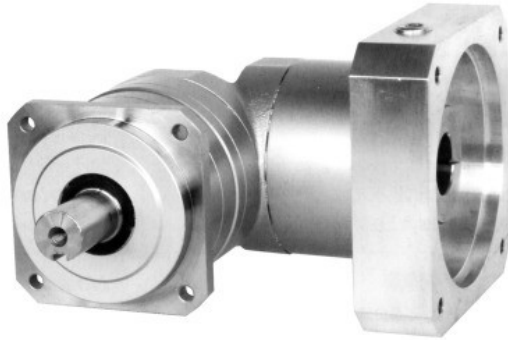
螺栓 尺寸 Bolt size	马达安装螺栓 Motor installing bolts		紧固螺栓 Clamping bolt	
	N·m	kgf·m	N·m	kgf·m
M3	1.1	0.11	1.9	0.18
M4	2.5	0.26	4.3	0.44
M5	5.1	0.52	8.7	0.89
M6	8.7	0.89	15	1.5
M8	21	2.1	36	3.7
M10	42	4.3	71	7.2
M12	72	7.3	125	13
M16	134	14	-	-

表 2 Table 2

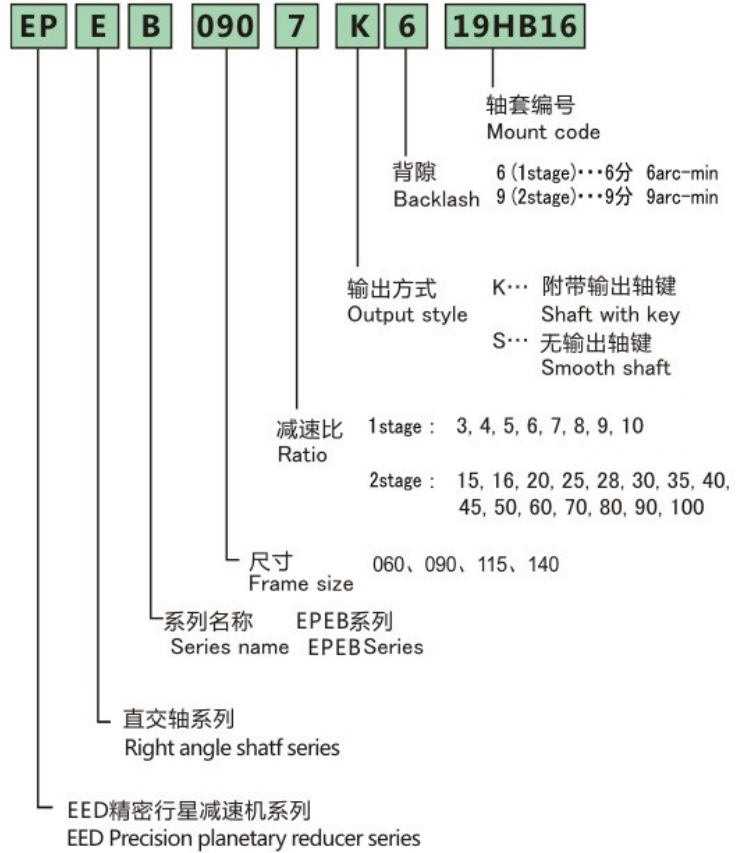
螺栓 尺寸 Bolt size	紧固扭矩 Tightening torque	
	N·m	kgf·m
M3	1.9	0.18
M4	4.3	0.44
M5	8.7	0.89
M6	15	1.5
M8	36	3.7
M10	71	7.2
M12	125	13
M16	310	32
M20	603	62

※推荐螺栓：强度12.9以上
※Recommended bolt：Strength 12.9

10、EPEB Series



型号说明 Model Mark



省空间

直交型减速机使用螺旋式伞齿轮，马达的安装可实现90度弯曲，节省了安装空间。

Space-saving

Right angled reducer using spiral bevel gear, customer can locate the motor at 90 degree away from the reducer if required to save space.

高刚性、高扭矩

使用整体式滚珠轴承，大大提高了刚性和扭矩。

High rigidity & torque

High rigidity & hight torque were achived by uncaged needle roller bearings.

连接器、轴套方式

可以安装到世界上任何一台马达上。

Adapter-bushing connection

Can be attached to any motor all over the world.

无润滑脂泄漏

使用高粘度、不易分离的润滑脂，有效防止润滑脂泄漏。

No grease leakage

Perfect solution using high viscosity anti-separation grease.

维护方便

在产品寿命期内无需更换润滑脂，安装更便捷。

Maintenance-free

No need to replace the grease for the life of the unit.
Can be attached in any position.

尺寸 Frame size	段位 Stage	减速比 Ratio	※1	※2	※3	※4	※5	※6	※7	
			容许 额定扭矩 Nominal output torque	容许 最大扭矩 Maximum output torque	紧急时 最大扭矩 Emergency stop torque	容许额定 输入转速 Nominal input speed	容许最高 输入转速 Maximum input speed	容许 径向负荷 Permitted radial load	容许 轴向负荷 Permitted axial load	
			[Nm]	[Nm]	[Nm]	[rpm]	[rpm]	[N]	[N]	
060	1段 Single	3	12	24	50	3000	6000	430	310	
		4	16	32	65	3000	6000	470	360	
		5	22	40	80	3000	6000	510	390	
		6	24	45	90	3000	6000	540	430	
		7	24	45	90	3000	6000	570	460	
		8	24	45	90	3000	6000	600	480	
		9	16	32	65	3000	6000	620	510	
		10	16	32	65	3000	6000	640	530	
		2段 Double	15	16	32	65	3000	6000	740	630
			16	24	45	90	3000	6000	750	650
	20		24	45	90	3000	6000	810	720	
	25		24	45	90	3000	6000	870	790	
	28		24	45	90	3000	6000	910	830	
	30		16	32	65	3000	6000	930	860	
	35		24	45	90	3000	6000	980	920	
	40		24	45	90	3000	6000	1000	970	
	45		16	32	65	3000	6000	1100	1000	
	50		24	45	90	3000	6000	1100	1100	
	60	24	45	90	3000	6000	1200	1100		
	70	24	45	90	3000	6000	1200	1100		
80	24	45	90	3000	6000	1200	1100			
90	16	32	65	3000	6000	1200	1100			
100	16	32	65	3000	6000	1200	1100			

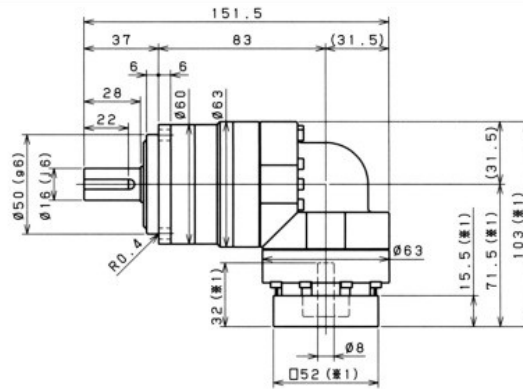
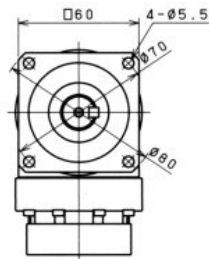
尺寸 Frame size	段位 Stage	减速比 Ratio	※8		※9		※10			
			容许最大 径向负荷 Maximum radial load	容许最大 轴向负荷 Maximum axial load	重量 Weight	惯性力矩 Moment of inertia (≤φ8)	惯性力矩 Moment of inertia (≤φ14)	惯性力矩 Moment of inertia (≤φ19)		
			[N]	[N]	[kg]	[kgcm ²]	[kgcm ²]	[kgcm ²]		
060	1段 Single	3	1200	1100	1.8	0.31	0.39	0.58		
		4	1200	1100		0.27	0.34	0.53		
		5	1200	1100		0.25	0.32	0.51		
		6	1200	1100		0.24	0.31	0.50		
		7	1200	1100		0.23	0.31	0.50		
		8	1200	1100		0.23	0.31	0.50		
		9	1200	1100		0.23	0.30	0.49		
		10	1200	1100		0.23	0.30	0.49		
		2段 Double	15	1200		1100	1.6	0.073	0.118	-
			16	1200		1100		0.079	0.124	-
	20		1200	1100	0.071	0.116		-		
	25		1200	1100	0.071	0.115		-		
	28		1200	1100	0.077	0.122		-		
	30		1200	1100	0.062	0.106		-		
	35		1200	1100	0.070	0.115		-		
	40		1200	1100	0.061	0.106		-		
	45		1200	1100	0.070	0.115		-		
	50		1200	1100	0.061	0.106		-		
	60	1200	1100	0.061	0.106	-				
	70	1200	1100	0.061	0.105	-				
80	1200	1100	0.061	0.105	-					
90	1200	1100	0.061	0.105	-					
100	1200	1100	0.061	0.105	-					

- ※ 1 输入转速为额定转速时，使用寿命为20000小时的值
- ※ 2 启动、停止时容许的最大值
- ※ 3 发生撞击时容许的最大值（频率最高为1000次）
- ※ 4 运转过程中，额定输入转速的容许最大值
- ※ 5 在非连续运转条件下容许的最高输入转速
- ※ 6 输入转速为额定转速时，使用寿命为20000小时的值（作用于轴中央，轴向负荷为0时）
- ※ 7 输入转速为额定转速时，使用寿命为20000小时的值（作用于轴芯，径向负荷为0时）
- ※ 8 径向负荷的容许最大值
- ※ 9 轴向负荷的容许最大值
- ※ 10 因减速比和输入轴尺寸的不同而有所不同。

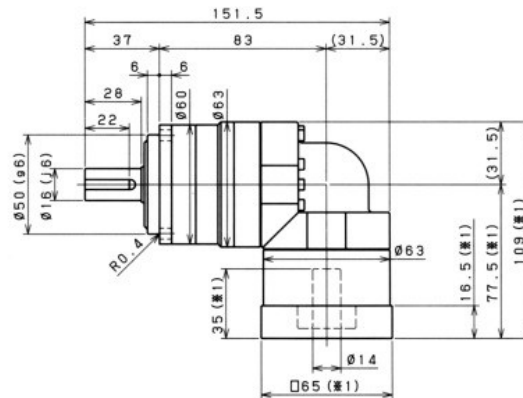
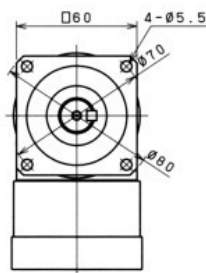
- ※ 1 With nominal input speed, service life is 20,000 hours.
- ※ 2 The maximum torque when starting and stopping.
- ※ 3 The maximum torque when it receives shock (up to 1,000 times)
- ※ 4 The maximum average input speed.
- ※ 5 The maximum momentary input speed.
- ※ 6 With this load and nominal input speed, service life will be 20,000 hours (Applied to the output shaft center, at axial load 0)
- ※ 7 With this load and nominal input speed, service life will be 20,000 hours (Applied to the output side bearing, at radial load 0)
- ※ 8 The maximum radial load the reducer can accept.
- ※ 9 The maximum axial load the reducer can accept.
- ※ 10 The weight may vary slightly model to model.

EPEB-060 1段 1stage

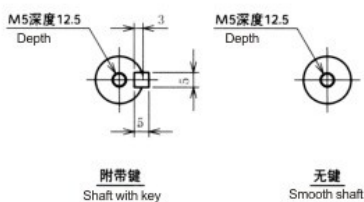
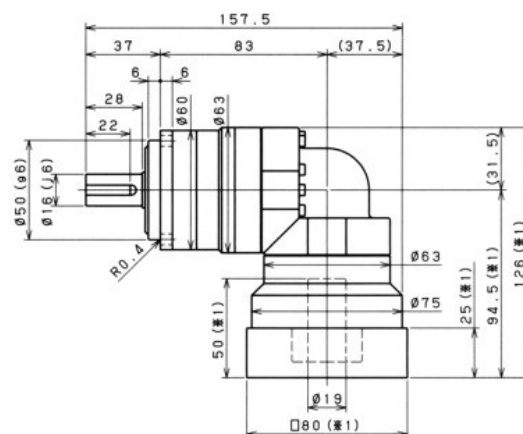
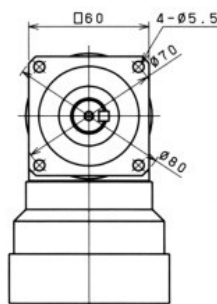
输入轴内径 Input shaft bore $\leq \phi 8$



输入轴内径 Input shaft bore $\leq \phi 14$



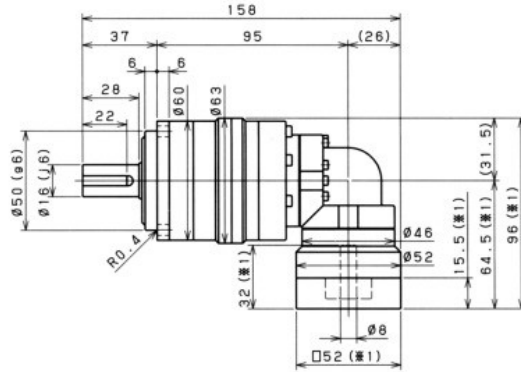
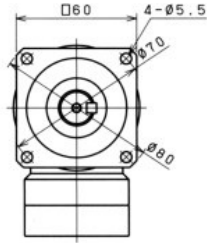
输入轴内径 Input shaft bore $\leq \phi 19$



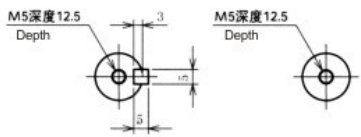
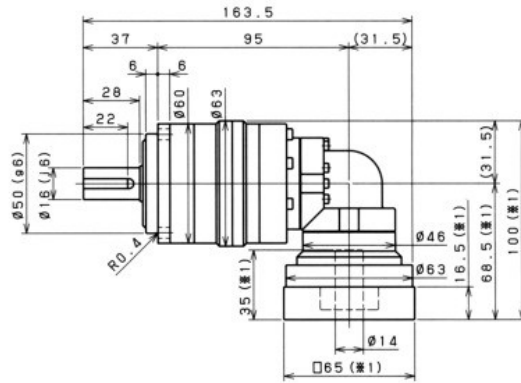
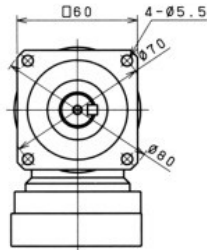
- ※ 1 随安装马达的不同而有所差异。
- ※ 2 马达轴径与输入轴径不同时，可插入轴套。
- ※ 1 Length will vary depending on motor.
- ※ 2 Bushing will be inserted to adapt to motor shaft.

EPEB-060 2段 2stage

输入轴内径 Input shaft bore $\leq \phi 8$



输入轴内径 Input shaft bore $\leq \phi 14$



附带键 Shaft with key 无键 Smooth shaft

- ※ 1 随安装马达的不同而有所差异。
- ※ 2 马达轴径与输入轴径不同时，可插入轴套。
- ※ 1 Length will vary depending on motor.
- ※ 2 Bushing will be inserted to adapt to motor shaft.

尺寸 Frame size	段位 Stage	减速比 Ratio	※1	※2	※3	※4	※5	※6	※7	
			容许 额定扭矩 Nominal output torque	容许 最大扭矩 Maximum output torque	紧急时 最大扭矩 Emergency stop torque	容许额定 输入转速 Nominal input speed	容许最高 输入转速 Maximum input speed	容许 径向负荷 Permitted radial load	容许 轴向负荷 Permitted axial load	
			[Nm]	[Nm]	[Nm]	[rpm]	[rpm]	[N]	[N]	
090	1段 Single	3	45	65	130	3000	6000	810	930	
		4	60	90	170	3000	6000	890	1100	
		5	65	90	220	3000	6000	960	1200	
		6	65	90	220	3000	6000	1000	1300	
		7	65	90	220	3000	6000	1100	1300	
		8	65	90	220	3000	6000	1100	1400	
		9	45	65	170	3000	6000	1200	1500	
		10	45	65	170	3000	6000	1200	1600	
		2段 Double	15	45	65	170	3000	6000	1400	1900
			16	65	110	220	3000	6000	1400	1900
	20		65	110	220	3000	6000	1500	2100	
	25		65	110	220	3000	6000	1600	2200	
	28		65	110	220	3000	6000	1700	2200	
	30		45	65	170	3000	6000	1700	2200	
	35		65	110	220	3000	6000	1800	2200	
	40		65	110	220	3000	6000	1900	2200	
	45		45	65	170	3000	6000	2000	2200	
	50		65	110	220	3000	6000	2100	2200	
	60	65	110	220	3000	6000	2200	2200		
	70	65	110	220	3000	6000	2300	2200		
80	65	110	220	3000	6000	2400	2200			
90	45	65	170	3000	6000	2400	2200			
100	45	65	170	3000	6000	2400	2200			

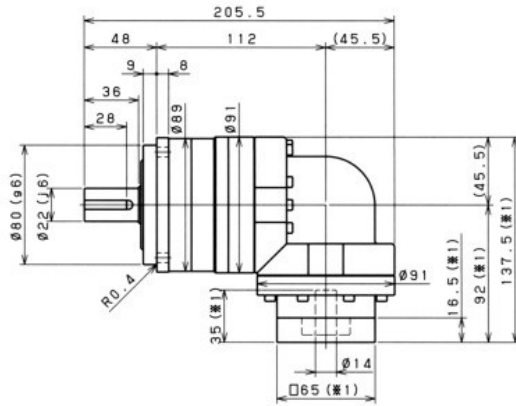
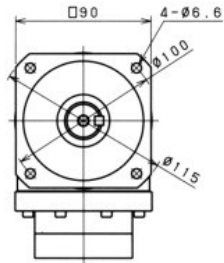
尺寸 Frame size	段位 Stage	减速比 Ratio	※8		※9		※10				
			容许最大 径向负荷 Maximum radial load	容许最大 轴向负荷 Maximum axial load	重量 Weight	惯性力矩 Moment of inertia (≤ φ8)	惯性力矩 Moment of inertia (≤ φ14)	惯性力矩 Moment of inertia (≤ φ19)	惯性力矩 Moment of inertia (≤ φ28)		
			[N]	[N]	[kg]	[kgcm ²]	[kgcm ²]	[kgcm ²]	[kgcm ²]		
090	1段 Single	3	2400	2200	5.1	-	2.12	2.45	4.57		
		4	2400	2200		-	1.89	2.22	4.35		
		5	2400	2200		-	1.80	2.13	4.26		
		6	2400	2200		-	1.76	2.09	4.21		
		7	2400	2200		-	1.73	2.06	4.18		
		8	2400	2200		-	1.71	2.04	4.17		
		9	2400	2200		-	1.70	2.03	4.16		
		10	2400	2200		-	1.69	2.02	4.15		
		2段 Double	15	2400		2200	4.4	0.34	0.41	0.60	-
			16	2400		2200		0.38	0.46	0.65	-
	20		2400	2200	0.33	0.40		0.59	-		
	25		2400	2200	0.32	0.40		0.59	-		
	28		2400	2200	0.37	0.45		0.64	-		
	30		2400	2200	0.25	0.33		0.51	-		
	35		2400	2200	0.32	0.40		0.59	-		
	40		2400	2200	0.25	0.32		0.51	-		
	45		2400	2200	0.32	0.39		0.58	-		
	50		2400	2200	0.25	0.32		0.51	-		
	60	2400	2200	0.25	0.32	0.51	-				
	70	2400	2200	0.25	0.32	0.51	-				
80	2400	2200	0.25	0.32	0.51	-					
90	2400	2200	0.25	0.32	0.51	-					
100	2400	2200	0.25	0.32	0.51	-					

- ※1 输入转速为额定转速时,使用寿命为20000小时的值
- ※2 启动、停止时容许的最大值
- ※3 发生撞击时容许的最大值 (频率最高为1000次)
- ※4 运转过程中,额定输入转速的容许最大值
- ※5 在非连续运转条件下容许的最高输入转速
- ※6 输入转速为额定转速时,使用寿命为20000小时的值 (作用于轴中央,轴向负荷为0时)
- ※7 输入转速为额定转速时,使用寿命为20000小时的值 (作用于轴芯,径向负荷为0时)
- ※8 径向负荷的容许最大值
- ※9 轴向负荷的容许最大值
- ※10 因减速比和输入轴尺寸的不同而有所不同。

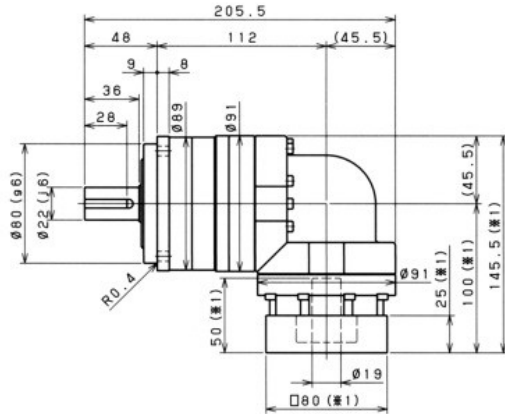
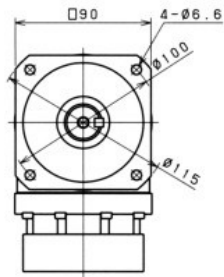
- ※1 With nominal input speed, service life is 20,000 hours.
- ※2 The maximum torque when starting and stopping.
- ※3 The maximum torque when it receives shock (up to 1,000 times)
- ※4 The maximum average input speed.
- ※5 The maximum momentary input speed.
- ※6 With this load and nominal input speed, service life will be 20,000 hours (Applied to the output shaft center, at axial load 0)
- ※7 With this load and nominal input speed, service life will be 20,000 hours (Applied to the output side bearing, at radial load 0)
- ※8 The maximum radial load the reducer can accept.
- ※9 The maximum axial load the reducer can accept.
- ※10 The weight may vary slightly model to model.

EPEB-090 1段 1stage

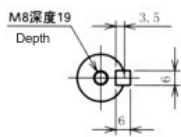
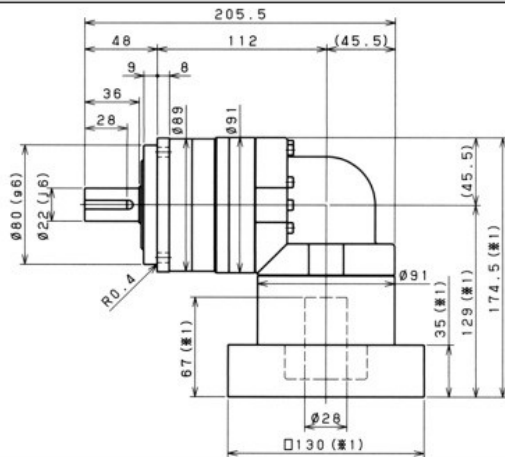
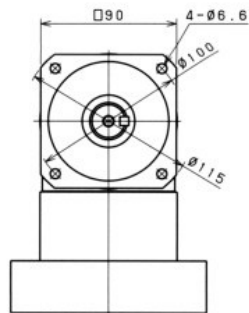
输入轴内径 Input shaft bore $\leq \phi 14$



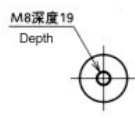
输入轴内径 Input shaft bore $\leq \phi 19$



输入轴内径 Input shaft bore $\leq \phi 28$



附带键
Shaft with key

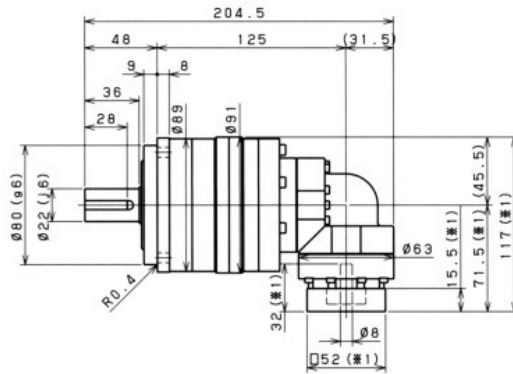
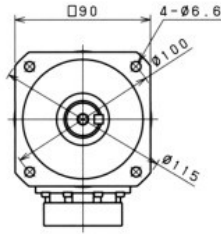


无键
Smooth shaft

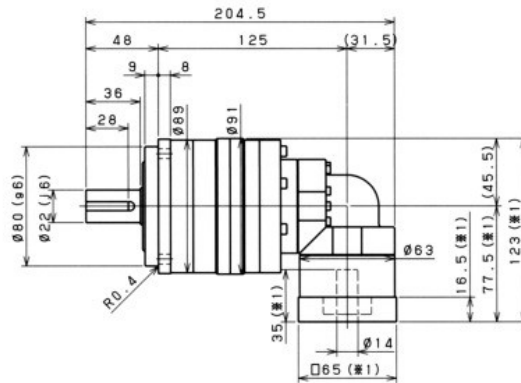
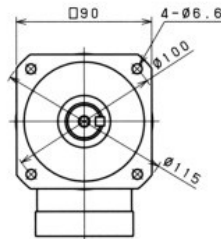
- ※ 1 随安装马达的不同而有所差异。
- ※ 2 马达轴径与输入轴径不同时，可插入轴套。
- ※ 1 Length will vary depending on motor.
- ※ 2 Bushing will be inserted to adapt to motor shaft.

EPEB-090 2段 2stage

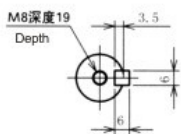
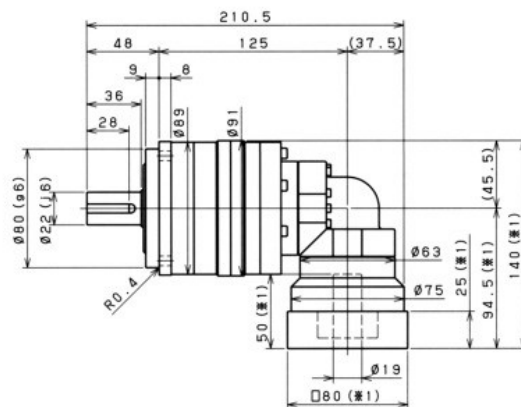
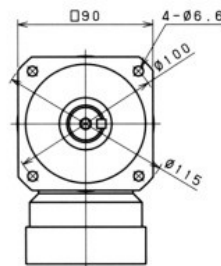
输入轴内径 Input shaft bore $\leq \phi 8$



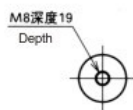
输入轴内径 Input shaft bore $\leq \phi 14$



输入轴内径 Input shaft bore $\leq \phi 19$



附带键
Shaft with key



无键
Smooth shaft

- ※ 1 随安装马达的不同而有所差异。
- ※ 2 马达轴径与输入轴径不同时，可插入轴套。
- ※ 1 Length will vary depending on motor.
- ※ 2 Bushing will be inserted to adapt to motor shaft.

尺寸 Frame size	段位 Stage	减速比 Ratio	※1	※2	※3	※4	※5	※6	※7
			容许 额定扭矩 Nominal output torque [Nm]	容许 最大扭矩 Maximum output torque [Nm]	紧急时 最大扭矩 Emergency stop torque [Nm]	容许额定 输入转速 Nominal input speed [rpm]	容许最高 输入转速 Maximum input speed [rpm]	容许 径向负荷 Permitted radial load [N]	容许 轴向负荷 Permitted axial load [N]
115	1段 Single	3	75	150	320	3000	6000	1300	1500
		4	100	200	430	3000	6000	1500	1700
		5	120	240	500	3000	6000	1600	1900
		6	150	300	550	3000	6000	1700	2000
		7	150	300	550	3000	6000	1800	2100
		8	150	300	550	3000	6000	1900	2300
		9	110	200	450	3000	6000	1900	2400
	2段 Double	10	110	200	450	3000	6000	2000	2500
		15	110	200	450	3000	6000	2300	3000
		16	130	260	550	3000	6000	2300	3100
		20	150	300	550	3000	6000	2500	3400
		25	150	300	550	3000	6000	2700	3700
		28	150	300	550	3000	6000	2800	3900
		30	110	200	450	3000	6000	2900	3900
		35	150	300	550	3000	6000	3000	3900
		40	150	300	550	3000	6000	3200	3900
		45	110	200	450	3000	6000	3300	3900
		50	150	300	550	3000	6000	3400	3900
60	150	300	550	3000	6000	3600	3900		
70	150	300	550	3000	6000	3800	3900		
80	150	300	550	3000	6000	4000	3900		
90	110	200	450	3000	6000	4200	3900		
100	110	200	450	3000	6000	4300	3900		

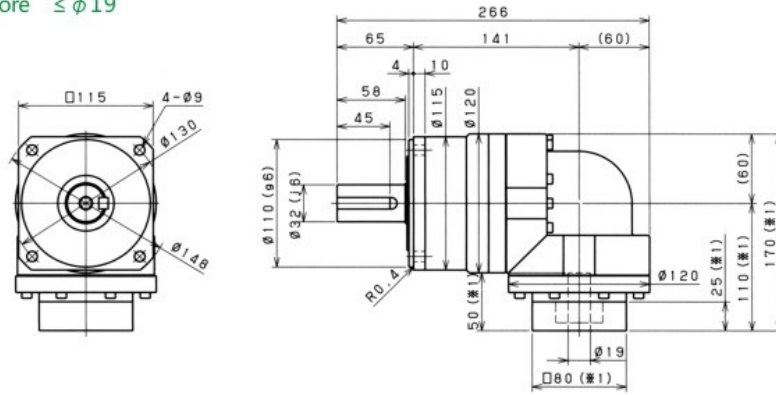
尺寸 Frame size	段位 Stage	减速比 Ratio	※8	※9	※10	惯性力矩 Moment of inertia ($\leq \phi 14$) [kgcm ²]	惯性力矩 Moment of inertia ($\leq \phi 19$) [kgcm ²]	惯性力矩 Moment of inertia ($\leq \phi 28$) [kgcm ²]	惯性力矩 Moment of inertia ($\leq \phi 38$) [kgcm ²]
			容许最大 径向负荷 Maximum radial load [N]	容许最大 轴向负荷 Maximum axial load [N]	重量 Weight [kg]				
115	1段 Single	3	4300	3900	10.4	-	6.74	8.34	15.41
		4	4300	3900		-	5.49	7.08	14.15
		5	4300	3900		-	5.02	6.61	13.69
		6	4300	3900		-	4.77	6.36	13.43
		7	4300	3900		-	4.65	6.24	13.31
		8	4300	3900		-	4.55	6.14	13.22
		9	4300	3900		-	4.49	6.08	13.16
	2段 Double	10	4300	3900	-	4.46	6.05	13.12	
		15	4300	3900	10.1	2.25	2.58	4.70	-
		16	4300	3900		2.46	2.79	4.91	-
		20	4300	3900		2.20	2.53	4.65	-
		25	4300	3900		2.18	2.51	4.64	-
		28	4300	3900		2.40	2.73	4.86	-
		30	4300	3900		1.87	2.20	4.33	-
		35	4300	3900		2.16	2.49	4.62	-
		40	4300	3900		1.86	2.19	4.32	-
		45	4300	3900		2.15	2.48	4.61	-
		50	4300	3900		1.86	2.19	4.31	-
60	4300	3900	1.85	2.18		4.31	-		
70	4300	3900	1.85	2.18	4.31	-			
80	4300	3900	1.85	2.18	4.31	-			
90	4300	3900	1.85	2.18	4.31	-			
100	4300	3900	1.85	2.18	4.31	-			

- ※1 输入转速为额定转速时，使用寿命为20000小时的值
 ※2 启动、停止时容许的最大值
 ※3 发生撞击时容许的最大值（频率最高为1000次）
 ※4 运转过程中，额定输入转速的容许最大值
 ※5 在非连续运转条件下容许的最高输入转速
 ※6 输入转速为额定转速时，使用寿命为20000小时的值
 （作用于轴中央，轴向负荷为0时）
 ※7 输入转速为额定转速时，使用寿命为20000小时的值
 （作用于轴芯，径向负荷为0时）
 ※8 径向负荷的容许最大值
 ※9 轴向负荷的容许最大值
 ※10 因减速比和输入轴尺寸的不同而有所不同。

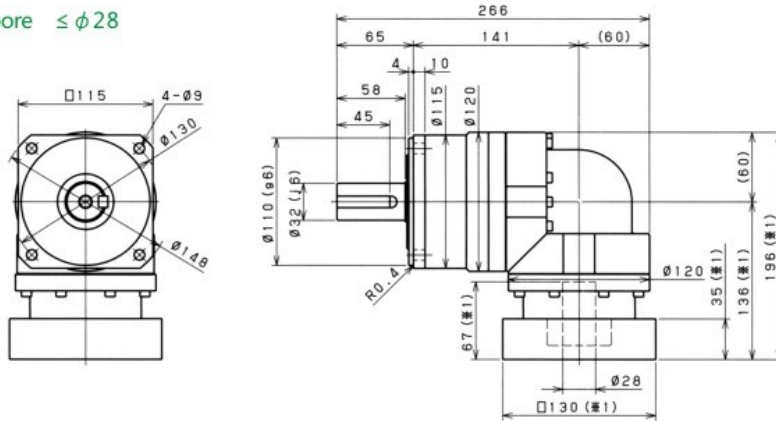
- ※1 With nominal input speed, service life is 20,000 hours.
 ※2 The maximum torque when starting and stopping.
 ※3 The maximum torque when it receives shock (up to 1,000 times)
 ※4 The maximum average input speed.
 ※5 The maximum momentary input speed.
 ※6 With this load and nominal input speed, service life will be 20,000 hours
 (Applied to the output shaft center, at axial load 0)
 ※7 With this load and nominal input speed, service life will be 20,000 hours
 (Applied to the output side bearing, at radial load 0)
 ※8 The maximum radial load the reducer can accept.
 ※9 The maximum axial load the reducer can accept.
 ※10 The weight may vary slightly model to model.

EPEB-115 1段 1stage

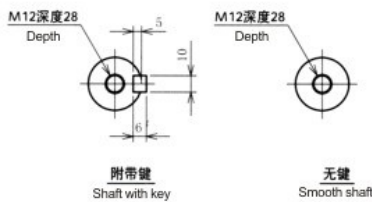
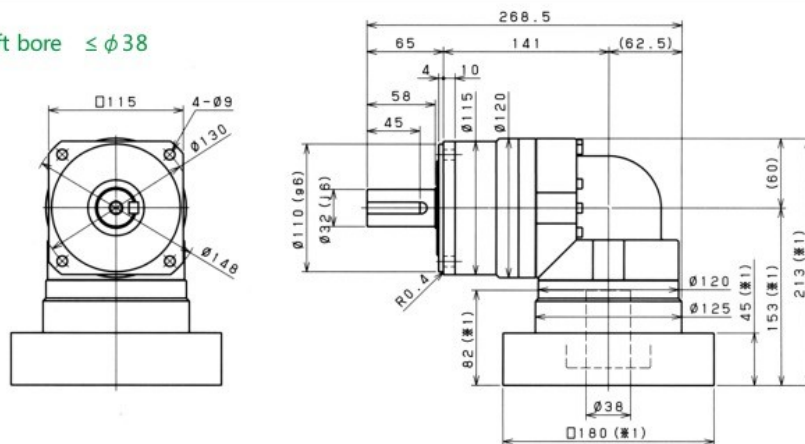
输入轴内径 Input shaft bore $\leq \phi 19$



输入轴内径 Input shaft bore $\leq \phi 28$



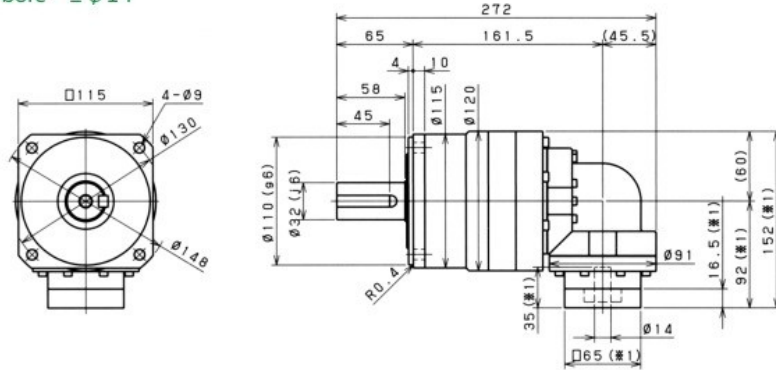
输入轴内径 Input shaft bore $\leq \phi 38$



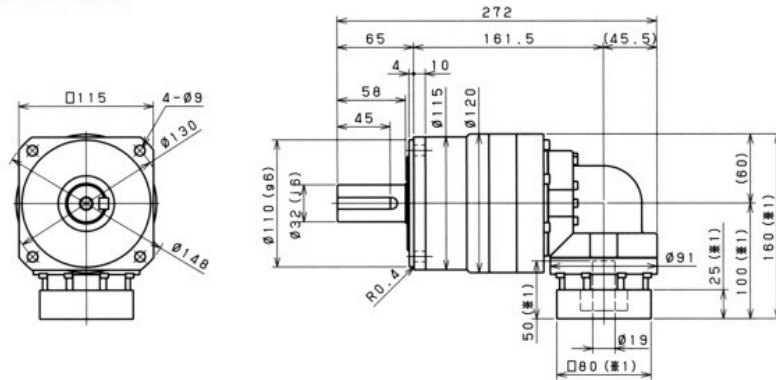
- ※ 1 随安装马达的不同而有所差异。
- ※ 2 马达轴径与输入轴径不同时，可插入轴套。
- ※ 1 Length will vary depending on motor.
- ※ 2 Bushing will be inserted to adapt to motor shaft.

EPEB-115 2段 2stage

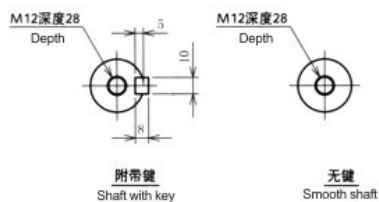
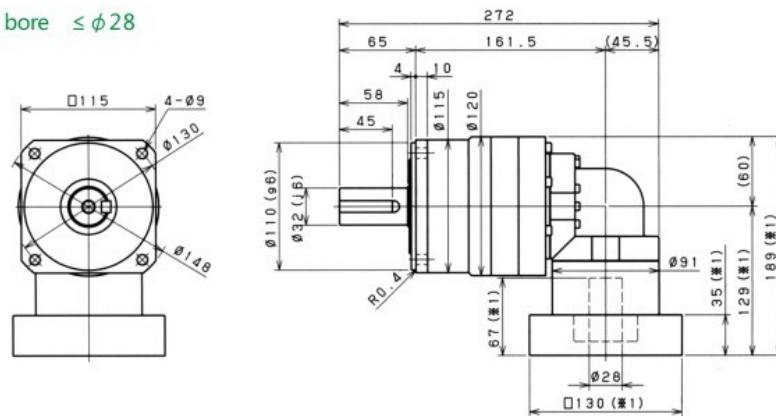
输入轴内径 Input shaft bore $\leq \phi 14$



输入轴内径 Input shaft bore $\leq \phi 19$



输入轴内径 Input shaft bore $\leq \phi 28$



- ※ 1 随安装马达的不同而有所差异。
- ※ 2 马达轴径与输入轴径不同时，可插入轴套。
- ※ 1 Length will vary depending on motor.
- ※ 2 Bushing will be inserted to adapt to motor shaft.

尺寸 Frame size	段位 Stage	减速比 Ratio	※1	※2	※3	※4	※5	※6	※7	
			容许 额定扭矩 Nominal output torque	容许 最大扭矩 Maximum output torque	紧急时 最大扭矩 Emergency stop torque	容许额定 输入转速 Nominal input speed	容许最高 输入转速 Maximum input speed	容许 径向负荷 Permitted radial load	容许 轴向负荷 Permitted axial load	
			[Nm]	[Nm]	[Nm]	[rpm]	[rpm]	[N]	[N]	
140	1段 Single	3	130	260	700	2000	4000	3200	2400	
		4	170	340	950	2000	4000	3500	2700	
		5	200	400	1100	2000	4000	3800	3000	
		6	260	520	1100	2000	4000	4000	3300	
		7	300	600	1100	2000	4000	4200	3500	
		8	300	600	1100	2000	4000	4400	3700	
		9	200	400	750	2000	4000	4600	3900	
		10	200	400	750	2000	4000	4700	4100	
		2段 Double	15	200	400	750	2000	4000	5400	4900
			16	300	600	1100	2000	4000	5500	5000
	20		300	600	1100	2000	4000	6000	5500	
	25		300	600	1100	2000	4000	6400	6100	
	28		300	600	1100	2000	4000	6700	6400	
	30		200	400	750	2000	4000	6800	6600	
	35		300	600	1100	2000	4000	7200	7000	
	40		300	600	1100	2000	4000	7500	7500	
	45		200	400	750	2000	4000	7800	7900	
	50		300	600	1100	2000	4000	8100	8200	
	60	300	600	1100	2000	4000	8600	8200		
	70	300	600	1100	2000	4000	9100	8200		
80	300	600	1100	2000	4000	9100	8200			
90	200	400	750	2000	4000	9100	8200			
100	200	400	750	2000	4000	9100	8200			

※8 ※9 ※10

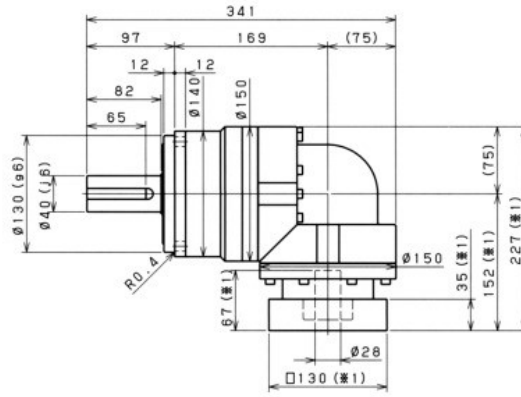
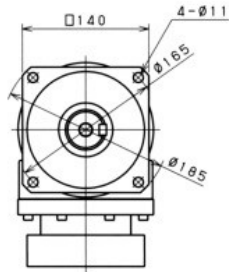
尺寸 Frame size	段位 Stage	减速比 Ratio	容许最大 径向负荷 Maximum radial load	容许最大 轴向负荷 Maximum axial load	重量 Weight	惯性力矩 Moment of inertia (≤φ19)	惯性力矩 Moment of inertia (≤φ28)	惯性力矩 Moment of inertia (≤φ38)	惯性力矩 Moment of inertia (≤φ48)		
			[N]	[N]	[kg]	[kgcm ²]	[kgcm ²]	[kgcm ²]	[kgcm ²]		
			140	1段 Single	3	9100	8200	19.1	-	23.13	27.50
4	9100	8200			-	18.57	22.94		36.17		
5	9100	8200			-	16.91	21.28		34.51		
6	9100	8200			-	16.01	20.38		33.61		
7	9100	8200			-	15.58	19.95		33.18		
8	9100	8200			-	15.23	19.61		32.84		
9	9100	8200			-	14.77	19.41		32.37		
10	9100	8200			-	14.66	19.03		32.26		
2段 Double	15	9100			8200	19.6	6.40		8.00	15.07	-
	16	9100			8200		7.29		8.88	15.96	-
	20	9100		8200	6.22		7.81	14.89	-		
	25	9100		8200	6.15		7.75	14.82	-		
	28	9100		8200	7.09		8.68	15.76	-		
	30	9100		8200	4.99		6.58	13.66	-		
	35	9100		8200	6.09		7.69	14.76	-		
	40	9100		8200	4.95		6.54	13.61	-		
	45	9100		8200	6.07		7.66	14.74	-		
	50	9100		8200	4.93		6.52	13.59	-		
60	9100	8200		4.92	6.51	13.59	-				
70	9100	8200		4.91	6.51	13.58	-				
80	9100	8200	4.91	6.50	13.58	-					
90	9100	8200	4.91	6.50	13.57	-					
100	9100	8200	4.91	6.50	13.57	-					

- ※ 1 输入转速为额定转速时，使用寿命为20000小时的值
- ※ 2 启动、停止时容许的最大值
- ※ 3 发生撞击时容许的最大值（频率最高为1000次）
- ※ 4 运转过程中，额定输入转速的容许最大值
- ※ 5 在非连续运转条件下容许的最高输入转速
- ※ 6 输入转速为额定转速时，使用寿命为20000小时的值（作用于轴中央，轴向负荷为0时）
- ※ 7 输入转速为额定转速时，使用寿命为20000小时的值（作用于轴芯，径向负荷为0时）
- ※ 8 径向负荷的容许最大值
- ※ 9 轴向负荷的容许最大值
- ※10 因减速比和输入轴尺寸的不同而有所不同。

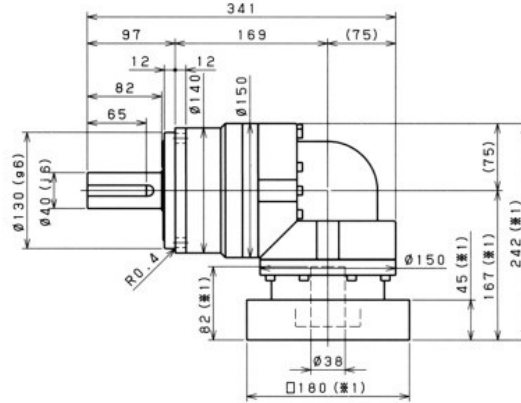
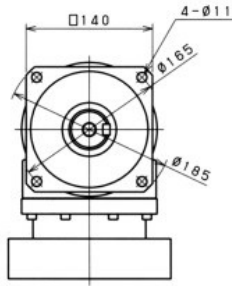
- ※ 1 With nominal input speed, service life is 20,000 hours.
- ※ 2 The maximum torque when starting and stopping.
- ※ 3 The maximum torque when it receives shock (up to 1,000 times)
- ※ 4 The maximum average input speed.
- ※ 5 The maximum momentary input speed.
- ※ 6 With this load and nominal input speed, service life will be 20,000 hours (Applied to the output shaft center, at axial load 0)
- ※ 7 With this load and nominal input speed, service life will be 20,000 hours (Applied to the output side bearing, at radial load 0)
- ※ 8 The maximum radial load the reducer can accept.
- ※ 9 The maximum axial load the reducer can accept.
- ※ 10 The weight may vary slightly model to model.

EPEB-140 1段 1stage

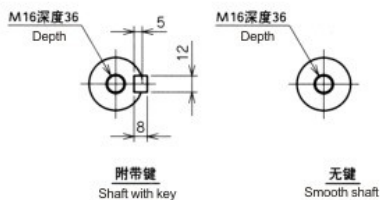
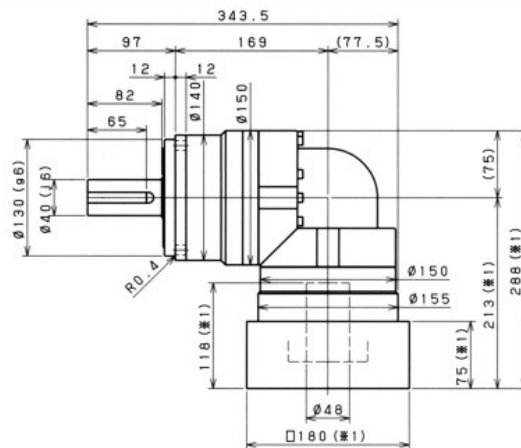
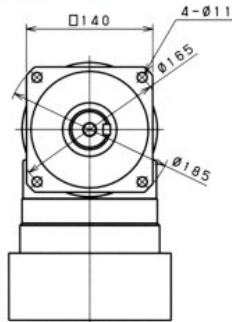
输入轴内径 Input shaft bore $\leq \phi 28$



输入轴内径 Input shaft bore $\leq \phi 38$



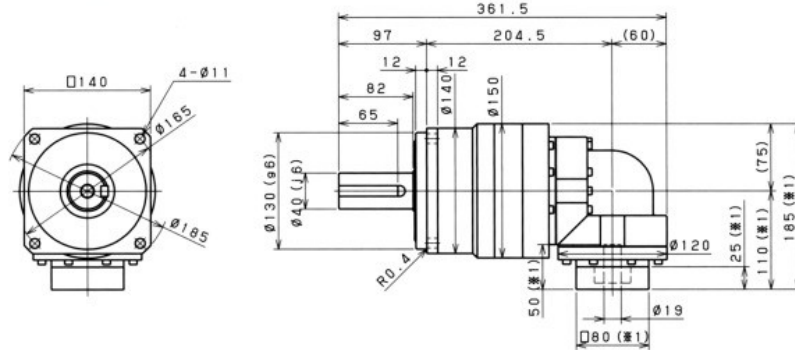
输入轴内径 Input shaft bore $\leq \phi 48$



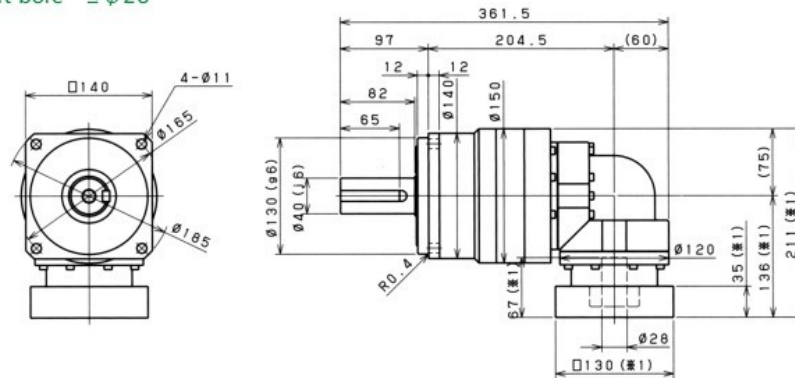
- ※ 1 随安装马达的不同而有所差异。
- ※ 2 马达轴径与输入轴径不同时，可插入轴套。
- ※ 1 Length will vary depending on motor.
- ※ 2 Bushing will be inserted to adapt to motor shaft.

EPEB-140 2段 2stage

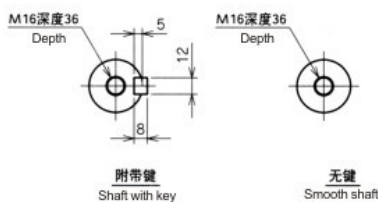
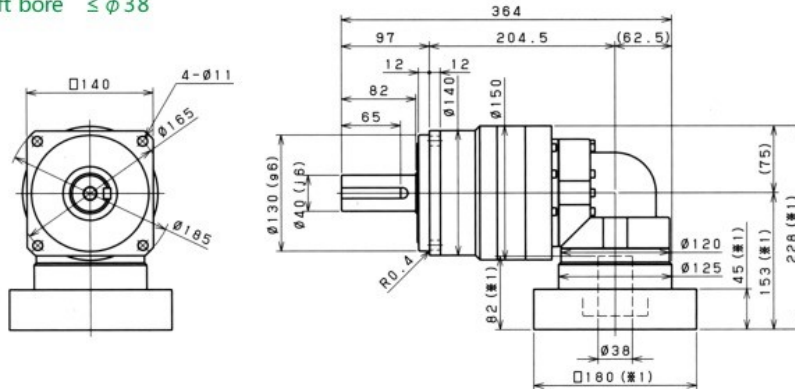
输入轴内径 Input shaft bore $\leq \phi 19$



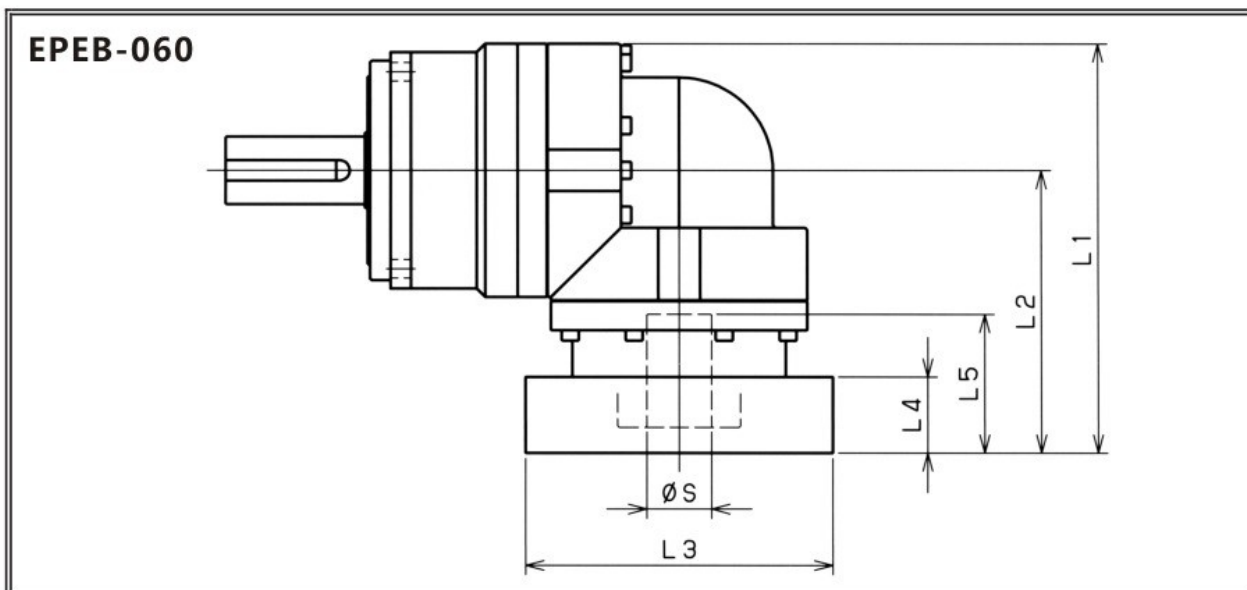
输入轴内径 Input shaft bore $\leq \phi 28$



输入轴内径 Input shaft bore $\leq \phi 38$



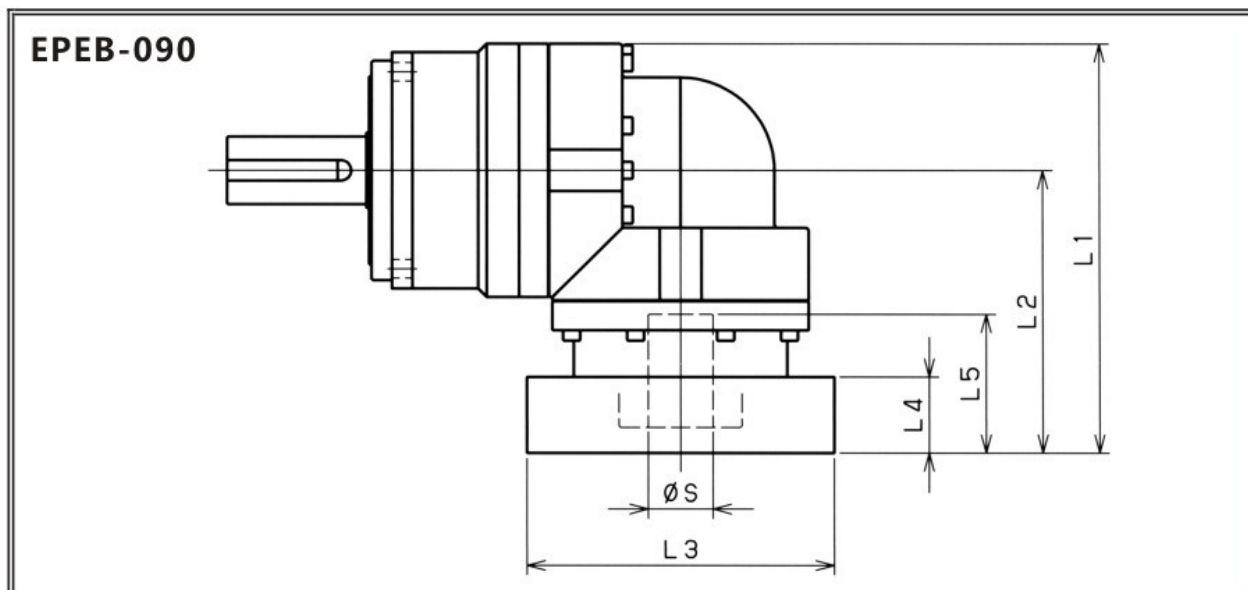
- ※ 1 随安装马达的不同而有所差异。
- ※ 2 马达轴径与输入轴径不同时，可插入轴套。
- ※ 1 Length will vary depending on motor.
- ※ 2 Bushing will be inserted to adapt to motor shaft.



型号 Model number	**: 输入法兰编号 ** : Input flange code	1段 Single					2段 Double				
		L1	L2	L3	L4	L5	L1	L2	L3	L4	L5
EPEB-060-□-□-8** (S ≤ 8)	AA·AC·AD·AF·AG	103	71.5	□52	15.5	32	96	64.5	□52	15.5	32
	AB·AE·AH·AJ·AK	108	76.5	□52	20.5	37	101	69.5	□52	20.5	37
	BA·BB·BD·BE	103	71.5	□60	15.5	32	96	64.5	□60	15.5	32
	BC·BF	108	76.5	□60	20.5	37	101	69.5	□60	20.5	37
	CA	108	76.5	□70	20.5	37	101	69.5	□70	20.5	37
EPEB-060-□-□-14** (8 < S ≤ 14)	BA·BB·BD·BE·BF·BG·BJ·BK	109	77.5	□65	16.5	35	100	68.5	□65	16.5	35
	BC·BH	114	82.5	□65	21.5	40	105	73.5	□65	21.5	40
	BL	119	87.5	□65	26.5	45	110	78.5	□65	26.5	45
	CA	109	77.5	□70	16.5	35	100	68.5	□70	16.5	35
	CB	114	82.5	□70	21.5	40	105	73.5	□70	21.5	40
	DA·DB·DC·DD·DF·DH	109	77.5	□80	16.5	35	100	68.5	□80	16.5	35
	DE	114	82.5	□80	21.5	40	105	73.5	□80	21.5	40
	DG	119	87.5	□80	26.5	45	110	78.5	□80	26.5	45
	EA·EB·EC	109	77.5	□90	16.5	35	100	68.5	□90	16.5	35
	ED	119	87.5	□90	26.5	45	110	78.5	□90	26.5	45
	FA	109	77.5	□100	16.5	35	100	68.5	□100	16.5	35
GA	109	77.5	□115	16.5	35	100	68.5	□115	16.5	35	
EPEB-060-□-□-19** (14 < S ≤ 19)	DA·DB·DC	126	94.5	□80	25	50					
	DD	136	104.5	□80	35	60					
	DE	131	99.5	□80	30	55					
	EA	131	99.5	□90	30	55					
	EB	126	94.5	□90	25	50					
	EC	136	104.5	□90	35	60					
	FA	126	94.5	□100	25	50					
	FB	136	104.5	□100	35	60					
	GA·GC	131	99.5	□115	30	55					
	GB·GD	126	94.5	□115	25	50					
	HA	126	94.5	□130	25	50					
HB	141	109.5	□130	40	65						
HC·HD·HE	131	99.5	□130	30	55						

※ 1 1段减速: 1/3~1/10; 2段减速: 1/15~1/100
 ※ 2 马达轴径与输入轴径不同时, 可插入轴套。

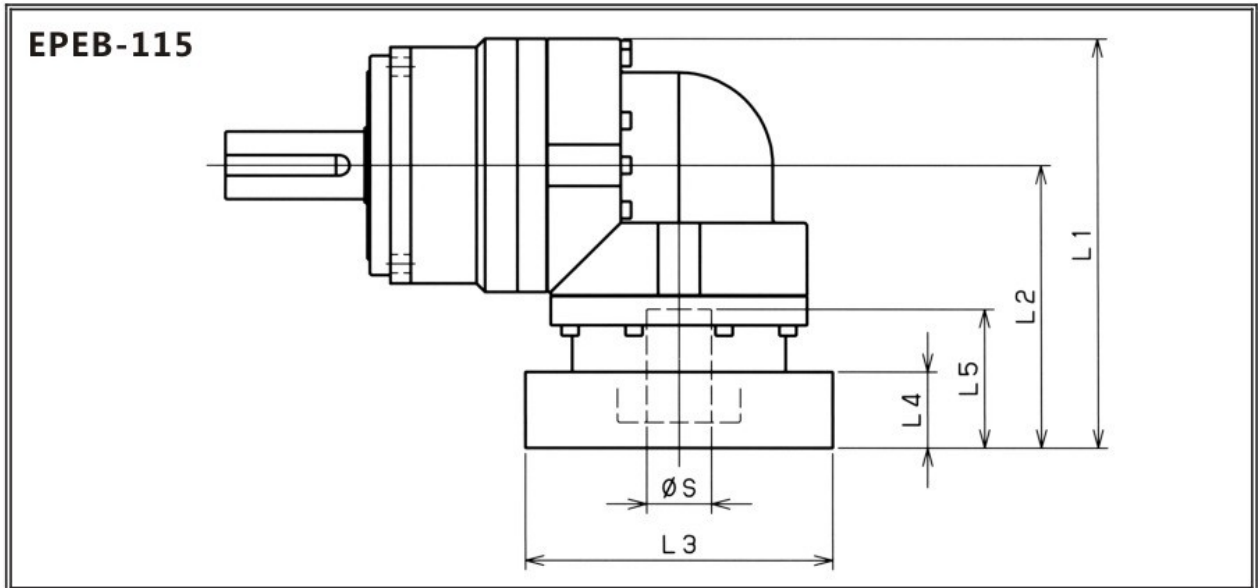
※ 1 Single reduction: 1/3~1/10, Double reduction: 1/15~1/100
 ※ 2 Bushing will be inserted to adapt to motor shaft.



型号 Model number	** : 输入法兰编号 ** : Input flange code	1段 Single					2段 Double				
		L1	L2	L3	L4	L5	L1	L2	L3	L4	L5
EPEB-090-□-□-8** (S ≤ 8)	AA·AC·AD·AF·AG	/	/	/	/	/	117	71.5	□52	15.5	32
	AB·AE·AH·AJ·AK	/	/	/	/	/	122	76.5	□52	20.5	37
	BA·BB·BD·BE	/	/	/	/	/	117	71.5	□60	15.5	32
	BC·BF	/	/	/	/	/	122	76.5	□60	20.5	37
	CA	/	/	/	/	/	122	76.5	□70	20.5	37
EPEB-090-□-□-14** (8 < S ≤ 14)	BA·BB·BD·BE·BF·BG·BJ·BK	137.5	92	□65	16.5	35	123	77.5	□65	16.5	35
	BC·BH	142.5	97	□65	21.5	40	128	82.5	□65	21.5	40
	BL	147.5	102	□65	26.5	45	133	87.5	□65	26.5	45
	CA	137.5	92	□70	16.5	35	123	77.5	□70	16.5	35
	CB	142.5	97	□70	21.5	40	128	82.5	□70	21.5	40
	DA·DB·DC·DD·DF·DH	137.5	92	□80	16.5	35	123	77.5	□80	16.5	35
	DE	142.5	97	□80	21.5	40	128	82.5	□80	21.5	40
	DG	147.5	102	□80	26.5	45	133	87.5	□80	26.5	45
	EA·EB·EC	137.5	92	□90	16.5	35	123	77.5	□90	16.5	35
	ED	147.5	102	□90	26.5	45	133	87.5	□90	26.5	45
	FA	137.5	92	□100	16.5	35	123	77.5	□100	16.5	35
	GA	137.5	92	□115	16.5	35	123	77.5	□115	16.5	35
	EPEB-090-□-□-19** (14 < S ≤ 19)	DA·DB·DC	145.5	100	□80	25	50	140	94.5	□80	25
DD		155.5	110	□80	35	60	150	104.5	□80	35	60
DE		150.5	105	□80	30	55	145	99.5	□80	30	55
EA		150.5	105	□90	30	55	145	99.5	□90	30	55
EB		145.5	100	□90	25	50	140	94.5	□90	25	50
EC		155.5	110	□90	35	60	150	104.5	□90	35	60
FA		145.5	100	□100	25	50	140	94.5	□100	25	50
FB		155.5	110	□100	35	60	150	104.5	□100	35	60
GA·GC		150.5	105	□115	30	55	145	99.5	□115	30	55
GB·GD		145.5	100	□115	25	50	140	94.5	□115	25	50
HA		145.5	100	□130	25	50	140	94.5	□130	25	50
HB		160.5	115	□130	40	65	155	109.5	□130	40	65
HC·HD·HE		150.5	105	□130	30	55	145	99.5	□130	30	55
EPEB-090-□-□-28** (19 < S ≤ 28)	FA·FB·FC	174.5	129	□100	35	67	/	/	/	/	/
	GA·GB·GC·GD·GE·GF·GG	174.5	129	□115	35	67	/	/	/	/	/
	HA·HC·HD	174.5	129	□130	35	67	/	/	/	/	/
	HB	184.5	139	□130	45	77	/	/	/	/	/
	JA·JB·JC	174.5	129	□150	35	67	/	/	/	/	/
	KA·KB	174.5	129	□180	35	67	/	/	/	/	/
	LA	174.5	129	□200	35	67	/	/	/	/	/
MA	174.5	129	□220	35	67	/	/	/	/	/	

※ 1 1段减速: 1/3~1/10; 2段减速: 1/15~1/100
 ※ 2 马达轴径与输入轴径不同时, 可插入轴套。

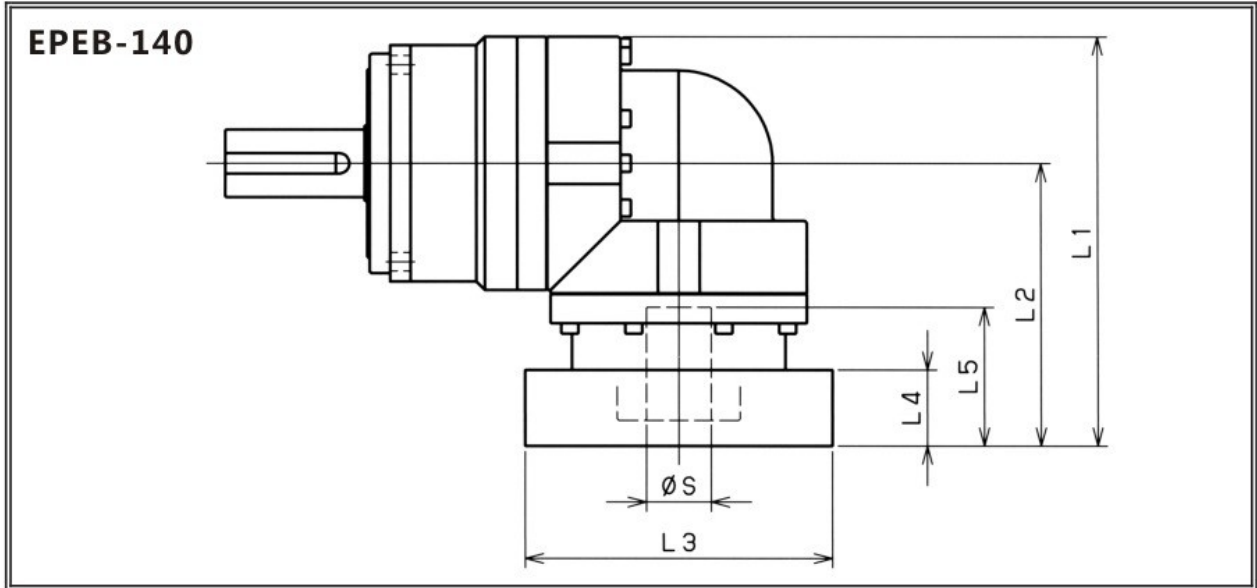
※ 1 Single reduction: 1/3~1/10, Double reduction: 1/15~1/100
 ※ 2 Bushing will be inserted to adapt to motor shaft.



型号 Model number	**: 输入法兰编号 **: Input flange code	1段 Single					2段 Double				
		L1	L2	L3	L4	L5	L1	L2	L3	L4	L5
EPEB-115-□-□-14** (S ≤ 14)	BA·BB·BD·BE·BF·BG·BJ·BK						152	92	□65	16.5	35
	BC·BH						157	97	□65	21.5	40
	BL						162	102	□65	26.5	45
	CA						152	92	□70	16.5	35
	CB						157	97	□70	21.5	40
	DA·DB·DC·DD·DF·DH						152	92	□80	16.5	35
	DE						157	97	□80	21.5	40
	DG						162	102	□80	26.5	45
	EA·EB·EC						152	92	□90	16.5	35
	ED						162	102	□90	26.5	45
	FA						152	92	□100	16.5	35
	GA						152	92	□115	16.5	35
	EPEB-115-□-□-19** (14 < S ≤ 19)	DA·DB·DC	170	110	□80	25	50	160	100	□80	25
DD		180	120	□80	35	60	170	110	□80	35	60
DE		175	115	□80	30	55	165	105	□80	30	55
EA		175	115	□90	30	55	165	105	□90	30	55
EB		170	110	□90	25	50	160	100	□90	25	50
EC		180	120	□90	35	60	170	110	□90	35	60
FA		170	110	□100	25	50	160	100	□100	25	50
FB		180	120	□100	35	60	170	110	□100	35	60
GA·GC		175	115	□115	30	55	165	105	□115	30	55
GB·GD		170	110	□115	25	50	160	100	□115	25	50
HA		170	110	□130	25	50	160	100	□130	25	50
HB		185	125	□130	40	65	175	115	□130	40	65
HC·HD·HE		175	115	□130	30	55	165	105	□130	30	55
EPEB-115-□-□-28** (19 < S ≤ 28)	FA·FB·FC	196	136	□100	35	67	189	129	□100	35	67
	GA·GB·GC·GD·GE·GF·GG	196	136	□115	35	67	189	129	□115	35	67
	HA·HC·HD	196	136	□130	35	67	189	129	□130	35	67
	HB	206	146	□130	45	77	199	139	□130	45	77
	JA·JB·JC	196	136	□150	35	67	189	129	□150	35	67
	KA·KB	196	136	□180	35	67	189	129	□180	35	67
	LA	196	136	□200	35	67	189	129	□200	35	67
	MA	196	136	□220	35	67	189	129	□220	35	67
EPEB-115-□-□-38** (28 < S ≤ 38)	HA	213	153	□130	45	82					
	HB	208	148	□130	40	77					
	JA	213	153	□150	45	82					
	KA·KB·KC	213	153	□180	45	82					
	LA	213	153	□200	45	82					
	LB	223	163	□200	55	92					
	MA·MB	213	153	□220	45	82					
NA	213	153	□250	45	82						

※ 1 1段减速: 1/3~1/10; 2段减速: 1/15~1/100
 ※ 2 马达轴径与输入轴径不同时, 可插入轴套。

※ 1 Single reduction: 1/3~1/10, Double reduction: 1/15~1/100
 ※ 2 Bushing will be inserted to adapt to motor shaft.

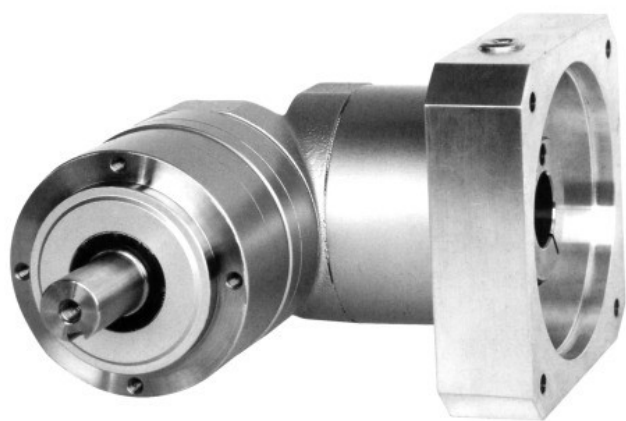


型号 Model number	** : 输入法兰编号 ** : Input flange code	1段 Single					2段 Double				
		L1	L2	L3	L4	L5	L1	L2	L3	L4	L5
EPEB-140-□-□-19** (S ≤ 19)	DA·DB·DC	/	/	/	/	/	185	110	□80	25	50
	DD	/	/	/	/	/	195	120	□80	35	60
	DE	/	/	/	/	/	190	115	□80	30	55
	EA	/	/	/	/	/	190	115	□90	30	55
	EB	/	/	/	/	/	185	110	□90	25	50
	EC	/	/	/	/	/	195	120	□90	35	60
	FA	/	/	/	/	/	185	110	□100	25	50
	FB	/	/	/	/	/	195	120	□100	35	60
	GA·GC	/	/	/	/	/	190	115	□115	30	55
	GB·GD	/	/	/	/	/	185	110	□115	25	50
	HA	/	/	/	/	/	185	110	□130	25	50
	HB	/	/	/	/	/	200	125	□130	40	65
HC·HD·HE	/	/	/	/	/	190	115	□130	30	55	
EPEB-140-□-□-28** (19 < S ≤ 28)	FA·FB·FC	227	152	□100	35	67	211	136	□100	35	67
	GA·GB·GC·GD·GE·GF·GG	227	152	□115	35	67	211	136	□115	35	67
	HA·HC·HD	227	152	□130	35	67	211	136	□130	35	67
	HB	237	162	□130	45	77	221	146	□130	45	77
	JA·JB·JC	227	152	□150	35	67	211	136	□150	35	67
	KA·KB	227	152	□180	35	67	211	136	□180	35	67
	LA	227	152	□200	35	67	211	136	□200	35	67
MA	227	152	□220	35	67	211	136	□220	35	67	
EPEB-140-□-□-38** (28 < S ≤ 38)	HA	242	167	□130	45	82	228	153	□130	45	82
	HB	237	162	□130	40	77	223	148	□130	40	77
	JA	242	167	□150	45	82	228	153	□150	45	82
	KA·KB·KC	242	167	□180	45	82	228	153	□180	45	82
	LA	242	167	□200	45	82	228	153	□200	45	82
	LB	252	177	□200	55	92	238	163	□200	55	92
	MA·MB	242	167	□220	45	82	228	153	□220	45	82
NA	242	167	□250	45	82	228	153	□250	45	82	
EPEB-140-□-□-48** (38 < S ≤ 48)	KB·KC	268	193	□180	55	98	/	/	/	/	/
	KA	288	213	□180	75	118	/	/	/	/	/
	LA	268	193	□200	55	98	/	/	/	/	/
	MA	268	193	□220	55	98	/	/	/	/	/
	MB	288	213	□220	75	118	/	/	/	/	/
	NA	288	213	□250	75	118	/	/	/	/	/
	PA	288	213	□280	75	118	/	/	/	/	/

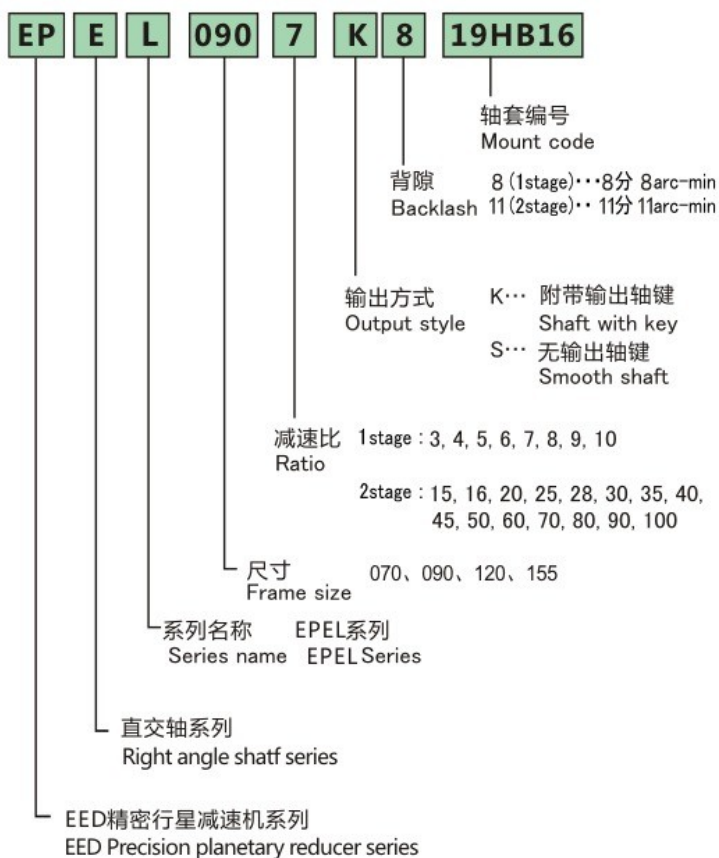
※ 1 1段减速: 1/3 ~ 1/10; 2段减速: 1/15 ~ 1/100
 ※ 2 马达轴径与输入轴径不同时, 可插入轴套。

※ 1 Single reduction: 1/3 ~ 1/10, Double reduction: 1/15 ~ 1/100
 ※ 2 Bushing will be inserted to adapt to motor shaft.

11、EPEL Series



型号说明 Model Mark



省空间

直交型减速机使用螺旋式伞齿轮，马达的安装可实现90度弯曲，节省了安装空间。

Space-saving

Right angled reducer using spiral bevel gear, customer can locate the motor at 90 degree away from the reducer if required to save space.

高刚性、高扭矩

使用整体式滚珠轴承，大大提高了刚性和扭矩。

High rigidity & torque

High rigidity & higt torque were achived by uncaged needle roller bearings.

连接器、轴套方式

可以安装到世界上任何一台马达上。

Adapter-bushing connection

Can be attached to any motor all over the world.

无润滑脂泄漏

使用高粘度、不易分离的润滑脂，有效防止润滑脂泄漏。

No grease leakage

Perfect solution using high viscosity anti-separation grease.

维护方便

在产品寿命期内无需更换润滑脂，安装更便捷。

Maintenance-free

No need to replace the grease for the life of the unit.
Can be attached in any position.

尺寸 Frame size	段位 Stage	减速比 Ratio	※1	※2	※3	※4	※5	※6	※7	
			容许 额定扭矩 Nominal output torque	容许 最大扭矩 Maximum output torque	紧急时 最大扭矩 Emergency stop torque	容许额定 输入转速 Nominal input speed	容许最高 输入转速 Maximum input speed	容许 径向负荷 Permitted radial load	容许 轴向负荷 Permitted axial load	
			[Nm]	[Nm]	[Nm]	[rpm]	[rpm]	[N]	[N]	
070	1段 Single	3	12	24	50	3000	6000	430	310	
		4	16	32	65	3000	6000	470	360	
		5	22	40	80	3000	6000	510	390	
		6	24	45	90	3000	6000	540	430	
		7	24	45	90	3000	6000	570	460	
		8	24	45	90	3000	6000	600	480	
		9	16	32	65	3000	6000	620	510	
		10	16	32	65	3000	6000	640	530	
		2段 Double	15	16	32	65	3000	6000	740	630
			16	24	45	90	3000	6000	750	650
	20		24	45	90	3000	6000	810	720	
	25		24	45	90	3000	6000	870	790	
	28		24	45	90	3000	6000	910	830	
	30		16	32	65	3000	6000	930	860	
	35		24	45	90	3000	6000	980	920	
	40		24	45	90	3000	6000	1000	970	
	45		16	32	65	3000	6000	1100	1000	
	50		24	45	90	3000	6000	1100	1100	
	60	24	45	90	3000	6000	1200	1100		
	70	24	45	90	3000	6000	1200	1100		
80	24	45	90	3000	6000	1200	1100			
90	16	32	65	3000	6000	1200	1100			
100	16	32	65	3000	6000	1200	1100			

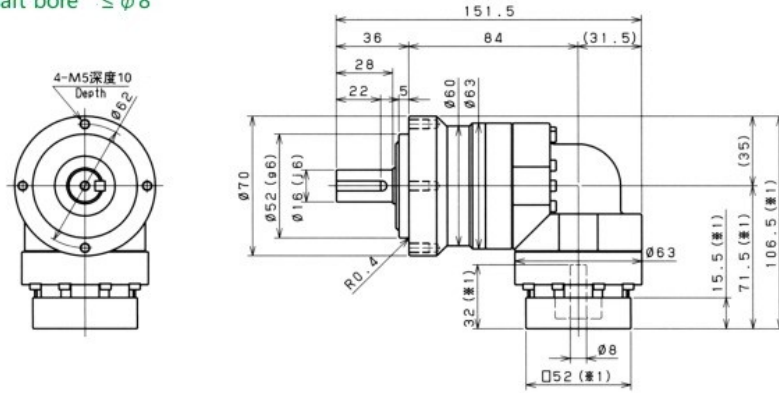
尺寸 Frame size	段位 Stage	减速比 Ratio	※10							
			容许最大 径向负荷 Maximum radial load	容许最大 轴向负荷 Maximum axial load	重量 Weight	惯性力矩 Moment of inertia (≤φ8)	惯性力矩 Moment of inertia (≤φ14)	惯性力矩 Moment of inertia (≤φ19)		
			[N]	[N]	[kg]	[kgcm ²]	[kgcm ²]	[kgcm ²]		
070	1段 Single	3	1200	1100	1.9	0.31	0.39	0.58		
		4	1200	1100		0.27	0.34	0.53		
		5	1200	1100		0.25	0.32	0.51		
		6	1200	1100		0.24	0.31	0.50		
		7	1200	1100		0.23	0.31	0.50		
		8	1200	1100		0.23	0.31	0.50		
		9	1200	1100		0.23	0.30	0.49		
		10	1200	1100		0.23	0.30	0.49		
		2段 Double	15	1200		1100	1.7	0.073	0.118	-
			16	1200		1100		0.079	0.124	-
	20		1200	1100	0.071	0.116		-		
	25		1200	1100	0.071	0.115		-		
	28		1200	1100	0.077	0.122		-		
	30		1200	1100	0.062	0.106		-		
	35		1200	1100	0.070	0.115		-		
	40		1200	1100	0.061	0.106		-		
	45		1200	1100	0.070	0.115		-		
	50		1200	1100	0.061	0.106		-		
	60	1200	1100	0.061	0.106	-				
	70	1200	1100	0.061	0.105	-				
80	1200	1100	0.061	0.105	-					
90	1200	1100	0.061	0.105	-					
100	1200	1100	0.061	0.105	-					

- ※ 1 输入转速为额定转速时,使用寿命为20000小时的值
- ※ 2 启动、停止时容许的最大值
- ※ 3 发生撞击时容许的最大值 (频率最高为1000次)
- ※ 4 运转过程中,额定输入转速的容许最大值
- ※ 5 在非连续运转条件下容许的最高输入转速
- ※ 6 输入转速为额定转速时,使用寿命为20000小时的值 (作用于轴中央,轴向负荷为0时)
- ※ 7 输入转速为额定转速时,使用寿命为20000小时的值 (作用于轴芯,径向负荷为0时)
- ※ 8 径向负荷的容许最大值
- ※ 9 轴向负荷的容许最大值
- ※10 因减速比和输入轴尺寸的不同而有所不同。

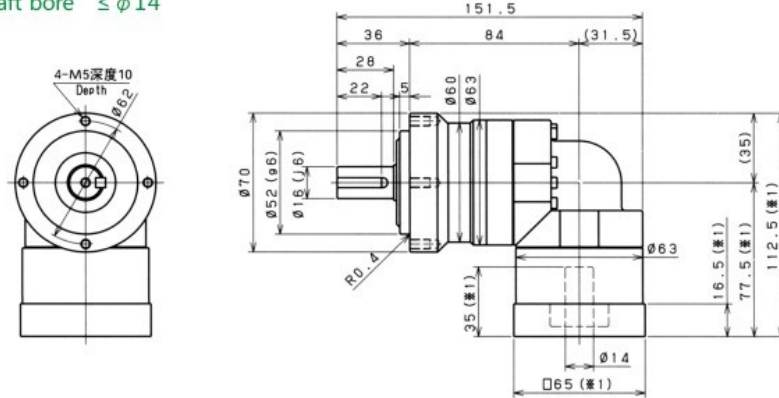
- ※ 1 With nominal input speed, service life is 20,000 hours.
- ※ 2 The maximum torque when starting and stopping.
- ※ 3 The maximum torque when it receives shock (up to 1,000 times)
- ※ 4 The maximum average input speed.
- ※ 5 The maximum momentary input speed.
- ※ 6 With this load and nominal input speed, service life will be 20,000 hours (Applied to the output shaft center, at axial load 0)
- ※ 7 With this load and nominal input speed, service life will be 20,000 hours (Applied to the output side bearing, at radial load 0)
- ※ 8 The maximum radial load the reducer can accept.
- ※ 9 The maximum axial load the reducer can accept.
- ※ 10 The weight may vary slightly model to model.

EPEL-070 1段 1stage

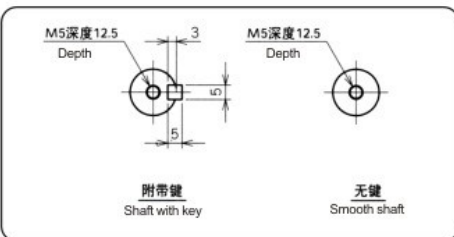
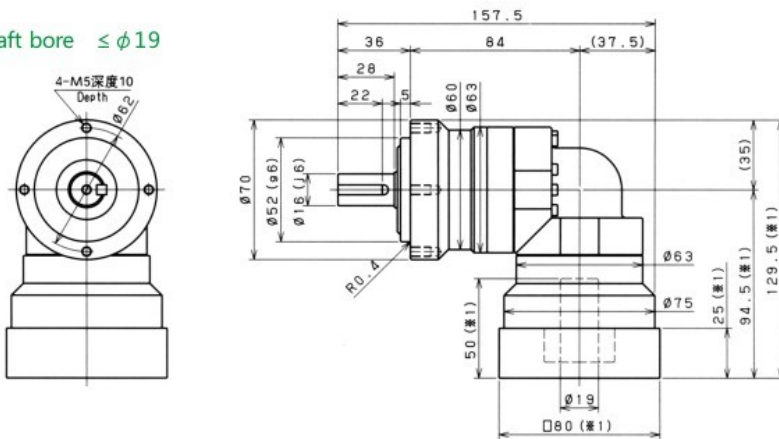
输入轴内径 Input shaft bore $\leq \phi 8$



输入轴内径 Input shaft bore $\leq \phi 14$



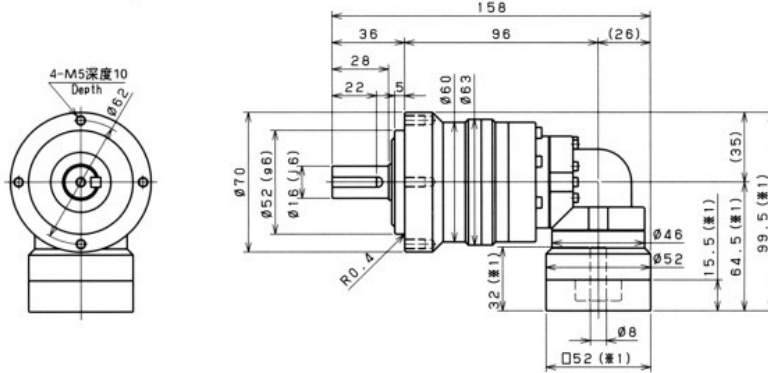
输入轴内径 Input shaft bore $\leq \phi 19$



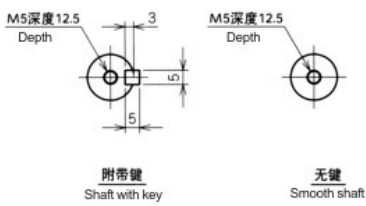
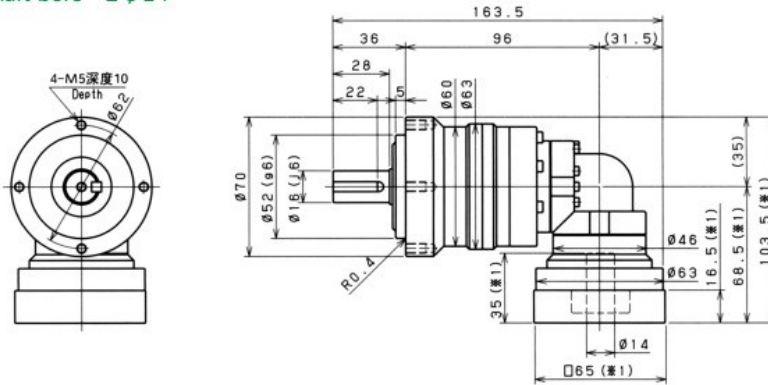
- ※ 1 随安装马达的不同而有所差异。
- ※ 2 马达轴径与输入轴径不同时，可插入轴套。
- ※ 1 Length will vary depending on motor.
- ※ 2 Bushing will be inserted to adapt to motor shaft.

EPEL-070 2段 2stage

输入轴内径 Input shaft bore $\leq \phi 8$



输入轴内径 Input shaft bore $\leq \phi 14$



- ※ 1 随安装马达的不同而有所差异。
- ※ 2 马达轴径与输入轴径不同时，可插入轴套。
- ※ 1 Length will vary depending on motor.
- ※ 2 Bushing will be inserted to adapt to motor shaft.

尺寸 Frame size	段位 Stage	减速比 Ratio	※1	※2	※3	※4	※5	※6	※7	
			容许 额定扭矩 Nominal output torque [Nm]	容许 最大扭矩 Maximum output torque [Nm]	紧急时 最大扭矩 Emergency stop torque [Nm]	容许额定 输入转速 Nominal input speed [rpm]	容许最高 输入转速 Maximum input speed [rpm]	容许 径向负荷 Permitted radial load [N]	容许 轴向负荷 Permitted axial load [N]	
090	1段 Single	3	45	65	130	3000	6000	810	930	
		4	60	90	170	3000	6000	890	1100	
		5	65	90	220	3000	6000	960	1200	
		6	65	90	220	3000	6000	1000	1300	
		7	65	90	220	3000	6000	1100	1300	
		8	65	90	220	3000	6000	1100	1400	
		9	45	65	170	3000	6000	1200	1500	
		10	45	65	170	3000	6000	1200	1600	
		2段 Double	15	45	65	170	3000	6000	1400	1900
			16	65	110	220	3000	6000	1400	1900
	20		65	110	220	3000	6000	1500	2100	
	25		65	110	220	3000	6000	1600	2200	
	28		65	110	220	3000	6000	1700	2200	
	30		45	65	170	3000	6000	1700	2200	
	35		65	110	220	3000	6000	1800	2200	
	40		65	110	220	3000	6000	1900	2200	
	45		45	65	170	3000	6000	2000	2200	
	50		65	110	220	3000	6000	2100	2200	
	60	65	110	220	3000	6000	2200	2200		
	70	65	110	220	3000	6000	2300	2200		
80	65	110	220	3000	6000	2400	2200			
90	45	65	170	3000	6000	2400	2200			
100	45	65	170	3000	6000	2400	2200			

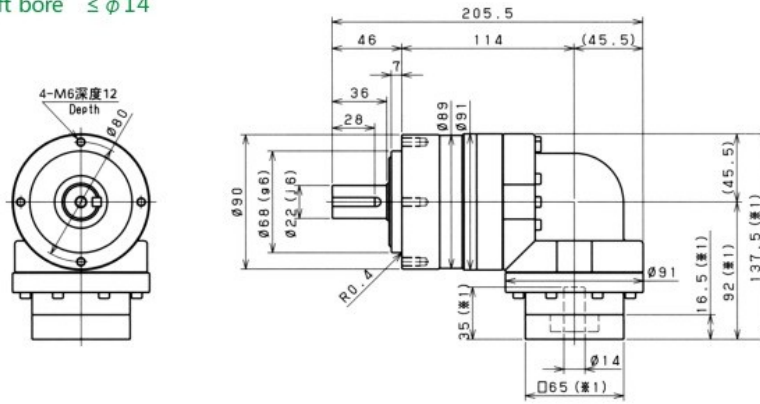
尺寸 Frame size	段位 Stage	减速比 Ratio	※8		重量 Weight [kg]	※9		※10			
			容许最大 径向负荷 Maximum radial load [N]	容许最大 轴向负荷 Maximum axial load [N]		惯性力矩 Moment of inertia (≤φ8) [kgcm ²]	惯性力矩 Moment of inertia (≤φ14) [kgcm ²]	惯性力矩 Moment of inertia (≤φ19) [kgcm ²]	惯性力矩 Moment of inertia (≤φ28) [kgcm ²]		
090	1段 Single	3	2400	2200	4.9	-	2.12	2.45	4.57		
		4	2400	2200		-	1.89	2.22	4.35		
		5	2400	2200		-	1.80	2.13	4.26		
		6	2400	2200		-	1.76	2.09	4.21		
		7	2400	2200		-	1.73	2.06	4.18		
		8	2400	2200		-	1.71	2.04	4.17		
		9	2400	2200		-	1.70	2.03	4.16		
		10	2400	2200		-	1.69	2.02	4.15		
		2段 Double	15	2400		2200	4.3	0.34	0.41	0.60	-
			16	2400		2200		0.38	0.46	0.65	-
	20		2400	2200	0.33	0.40		0.59	-		
	25		2400	2200	0.32	0.40		0.59	-		
	28		2400	2200	0.37	0.45		0.64	-		
	30		2400	2200	0.25	0.33		0.51	-		
	35		2400	2200	0.32	0.40		0.59	-		
	40		2400	2200	0.25	0.32		0.51	-		
	45		2400	2200	0.32	0.39		0.58	-		
	50		2400	2200	0.25	0.32		0.51	-		
	60	2400	2200	0.25	0.32	0.51	-				
	70	2400	2200	0.25	0.32	0.51	-				
80	2400	2200	0.25	0.32	0.51	-					
90	2400	2200	0.25	0.32	0.51	-					
100	2400	2200	0.25	0.32	0.51	-					

- ※ 1 输入转速为额定转速时，使用寿命为20000小时的值
- ※ 2 启动、停止时容许的最大值
- ※ 3 发生撞击时容许的最大值（频率最高为1000次）
- ※ 4 运转过程中，额定输入转速的容许最大值
- ※ 5 在非连续运转条件下容许的最高输入转速
- ※ 6 输入转速为额定转速时，使用寿命为20000小时的值（作用于轴中央，轴向负荷为0时）
- ※ 7 输入转速为额定转速时，使用寿命为20000小时的值（作用于轴芯，径向负荷为0时）
- ※ 8 径向负荷的容许最大值
- ※ 9 轴向负荷的容许最大值
- ※10 因减速比和输入轴尺寸的不同而有所不同。

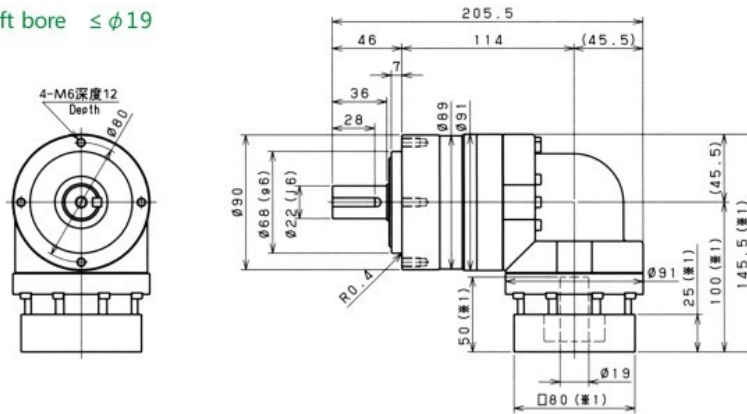
- ※ 1 With nominal input speed, service life is 20,000 hours.
- ※ 2 The maximum torque when starting and stopping.
- ※ 3 The maximum torque when it receives shock (up to 1,000 times)
- ※ 4 The maximum average input speed.
- ※ 5 The maximum momentary input speed.
- ※ 6 With this load and nominal input speed, service life will be 20,000 hours (Applied to the output shaft center, at axial load 0)
- ※ 7 With this load and nominal input speed, service life will be 20,000 hours (Applied to the output side bearing, at radial load 0)
- ※ 8 The maximum radial load the reducer can accept.
- ※ 9 The maximum axial load the reducer can accept.
- ※ 10 The weight may vary slightly model to model.

EPEL-090 1段 1stage

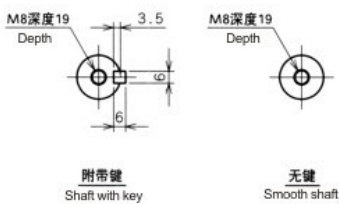
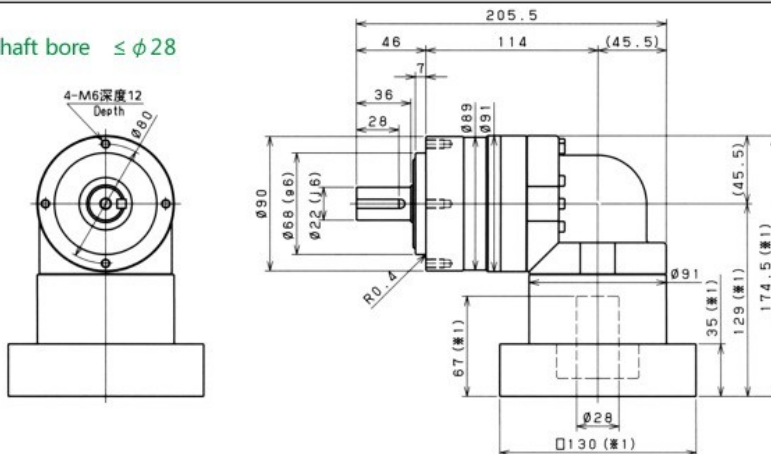
输入轴内径 Input shaft bore $\leq \phi 14$



输入轴内径 Input shaft bore $\leq \phi 19$



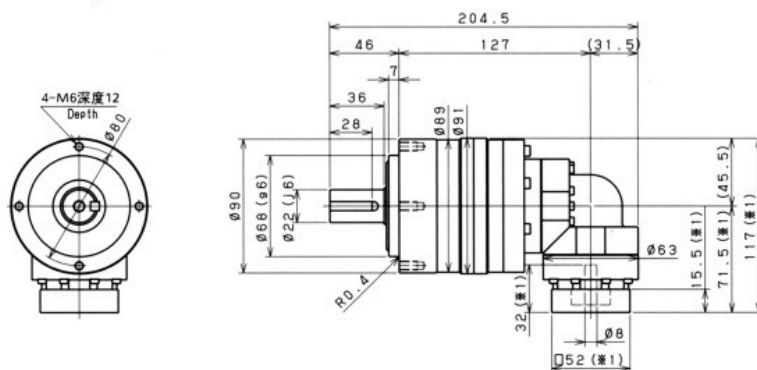
输入轴内径 Input shaft bore $\leq \phi 28$



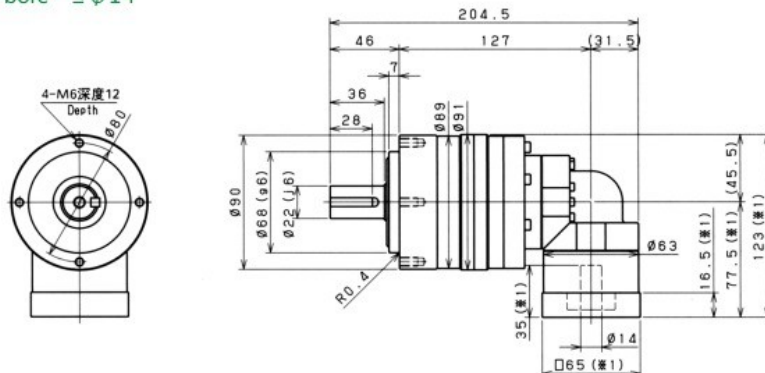
- ※ 1 随安装马达的不同而有所差异。
- ※ 2 马达轴径与输入轴径不同时，可插入轴套。
- ※ 1 Length will vary depending on motor.
- ※ 2 Bushing will be inserted to adapt to motor shaft.

EPEL-090 2段 2stage

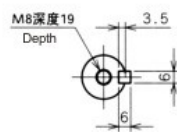
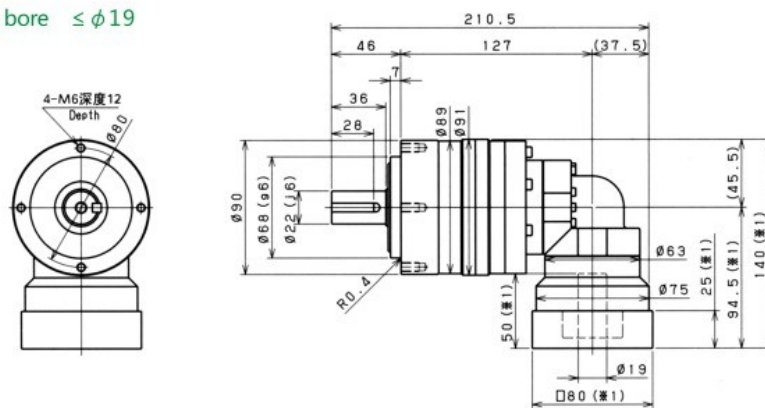
输入轴内径 Input shaft bore $\leq \phi 8$



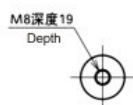
输入轴内径 Input shaft bore $\leq \phi 14$



输入轴内径 Input shaft bore $\leq \phi 19$



附带键
Shaft with key



无键
Smooth shaft

- ※ 1 随安装马达的不同而有所差异。
- ※ 2 马达轴径与输入轴径不同时，可插入轴套。
- ※ 1 Length will vary depending on motor.
- ※ 2 Bushing will be inserted to adapt to motor shaft.

尺寸 Frame size	段位 Stage	减速比 Ratio	※1	※2	※3	※4	※5	※6	※7	
			容许 额定扭矩 Nominal output torque	容许 最大扭矩 Maximum output torque	紧急时 最大扭矩 Emergency stop torque	容许额定 输入转速 Nominal input speed	容许最高 输入转速 Maximum input speed	容许 径向负荷 Permitted radial load	容许 轴向负荷 Permitted axial load	
			[Nm]	[Nm]	[Nm]	[rpm]	[rpm]	[N]	[N]	
120	1段 Single	3	75	150	320	3000	6000	1300	1500	
		4	100	200	430	3000	6000	1500	1700	
		5	120	240	500	3000	6000	1600	1900	
		6	150	300	550	3000	6000	1700	2000	
		7	150	300	550	3000	6000	1800	2100	
		8	150	300	550	3000	6000	1900	2300	
		9	110	200	450	3000	6000	1900	2400	
		10	110	200	450	3000	6000	2000	2500	
		2段 Double	15	110	200	450	3000	6000	2300	3000
			16	130	260	550	3000	6000	2300	3100
	20		150	300	550	3000	6000	2500	3400	
	25		150	300	550	3000	6000	2700	3700	
	28		150	300	550	3000	6000	2800	3900	
	30		110	200	450	3000	6000	2900	3900	
	35		150	300	550	3000	6000	3000	3900	
	40		150	300	550	3000	6000	3200	3900	
	45		110	200	450	3000	6000	3300	3900	
	50		150	300	550	3000	6000	3400	3900	
	60	150	300	550	3000	6000	3600	3900		
	70	150	300	550	3000	6000	3800	3900		
80	150	300	550	3000	6000	4000	3900			
90	110	200	450	3000	6000	4200	3900			
100	110	200	450	3000	6000	4300	3900			

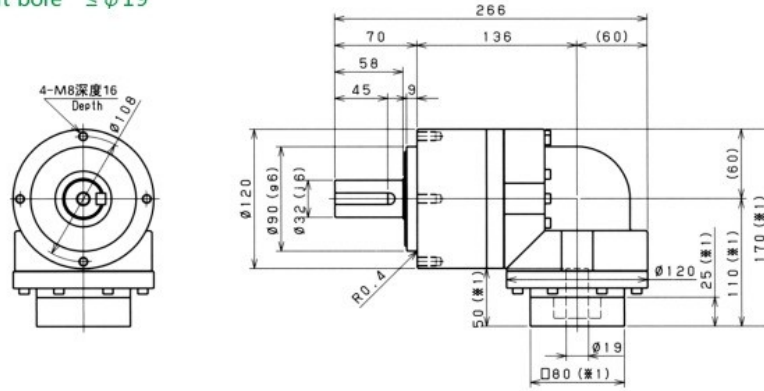
尺寸 Frame size	段位 Stage	减速比 Ratio	容许最大 径向负荷 Maximum radial load	容许最大 轴向负荷 Maximum axial load	重量 Weight	惯性力矩 Moment of inertia (≤ φ14)	惯性力矩 Moment of inertia (≤ φ19)	惯性力矩 Moment of inertia (≤ φ28)	惯性力矩 Moment of inertia (≤ φ38)		
			[N]	[N]	[kg]	[kgcm ²]	[kgcm ²]	[kgcm ²]	[kgcm ²]		
			※8 ※9 ※10								
120	1段 Single	3	4300	3900	10.2	-	6.74	8.34	15.41		
		4	4300	3900		-	5.49	7.08	14.15		
		5	4300	3900		-	5.02	6.61	13.69		
		6	4300	3900		-	4.77	6.36	13.43		
		7	4300	3900		-	4.65	6.24	13.31		
		8	4300	3900		-	4.55	6.14	13.22		
		9	4300	3900		-	4.49	6.08	13.16		
		10	4300	3900		-	4.46	6.05	13.12		
		2段 Double	15	4300		3900	10.0	2.25	2.58	4.70	-
			16	4300		3900		2.46	2.79	4.91	-
	20		4300	3900	2.20	2.53		4.65	-		
	25		4300	3900	2.18	2.51		4.64	-		
	28		4300	3900	2.40	2.73		4.86	-		
	30		4300	3900	1.87	2.20		4.33	-		
	35		4300	3900	2.16	2.49		4.62	-		
	40		4300	3900	1.86	2.19		4.32	-		
	45		4300	3900	2.15	2.48		4.61	-		
	50		4300	3900	1.86	2.19		4.31	-		
	60	4300	3900	1.85	2.18	4.31	-				
	70	4300	3900	1.85	2.18	4.31	-				
80	4300	3900	1.85	2.18	4.31	-					
90	4300	3900	1.85	2.18	4.31	-					
100	4300	3900	1.85	2.18	4.31	-					

- ※ 1 输入转速为额定转速时，使用寿命为20000小时的值
- ※ 2 启动、停止时容许的最大值
- ※ 3 发生撞击时容许的最大值（频率最高为1000次）
- ※ 4 运转过程中，额定输入转速的容许最大值
- ※ 5 在非连续运转条件下容许的最高输入转速
- ※ 6 输入转速为额定转速时，使用寿命为20000小时的值（作用于轴中央，轴向负荷为0时）
- ※ 7 输入转速为额定转速时，使用寿命为20000小时的值（作用于轴芯，径向负荷为0时）
- ※ 8 径向负荷的容许最大值
- ※ 9 轴向负荷的容许最大值
- ※10 因减速比和输入轴尺寸的不同而有所不同。

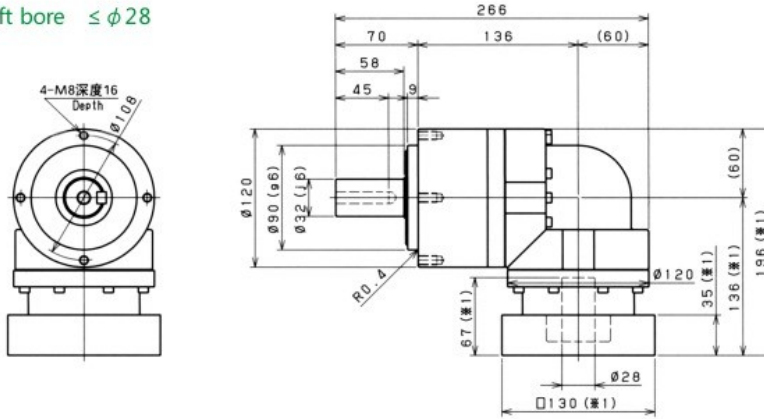
- ※ 1 With nominal input speed, service life is 20,000 hours.
- ※ 2 The maximum torque when starting and stopping.
- ※ 3 The maximum torque when it receives shock (up to 1,000 times)
- ※ 4 The maximum average input speed.
- ※ 5 The maximum momentary input speed.
- ※ 6 With this load and nominal input speed, service life will be 20,000 hours (Applied to the output shaft center, at axial load 0)
- ※ 7 With this load and nominal input speed, service life will be 20,000 hours (Applied to the output side bearing, at radial load 0)
- ※ 8 The maximum radial load the reducer can accept.
- ※ 9 The maximum axial load the reducer can accept.
- ※ 10 The weight may vary slightly model to model.

EPEL-120 1段 1stage

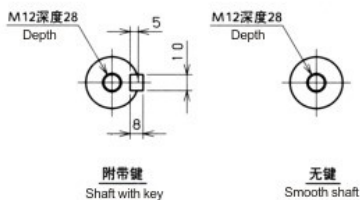
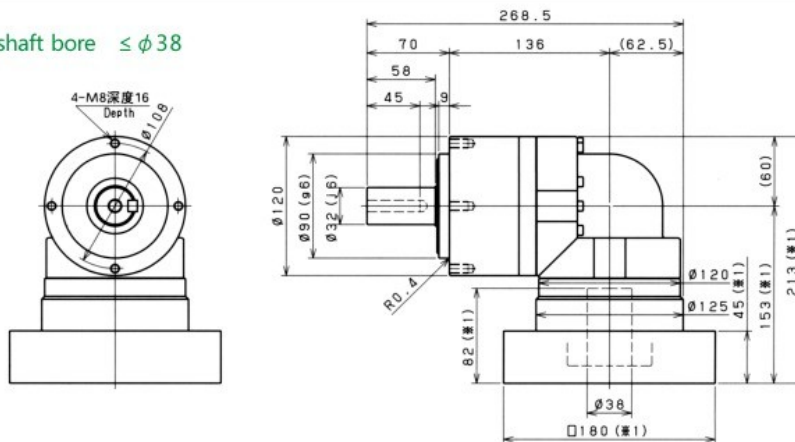
输入轴内径 Input shaft bore $\leq \phi 19$



输入轴内径 Input shaft bore $\leq \phi 28$



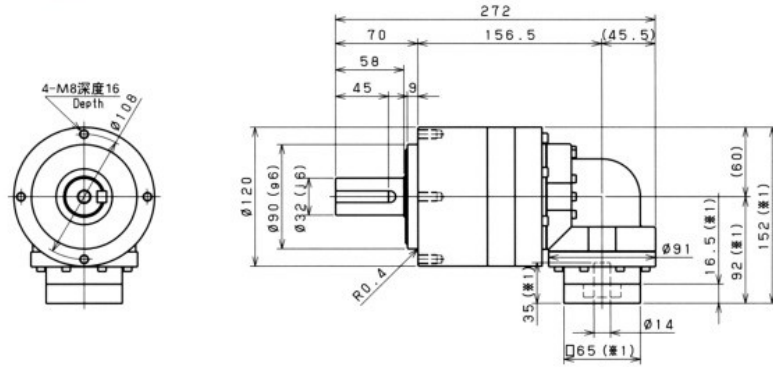
输入轴内径 Input shaft bore $\leq \phi 38$



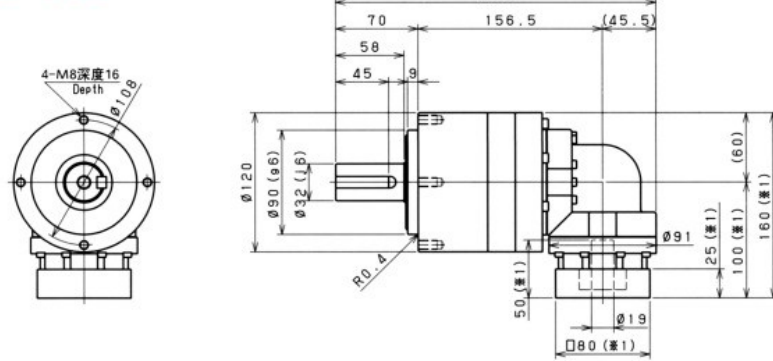
- ※ 1 随安装马达的不同而有所差异。
- ※ 2 马达轴径与输入轴径不同时，可插入轴套。
- ※ 1 Length will vary depending on motor.
- ※ 2 Bushing will be inserted to adapt to motor shaft.

EPEL-120 2段 2stage

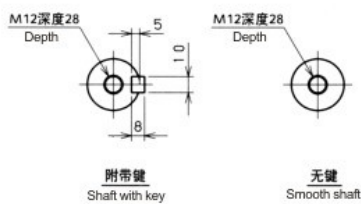
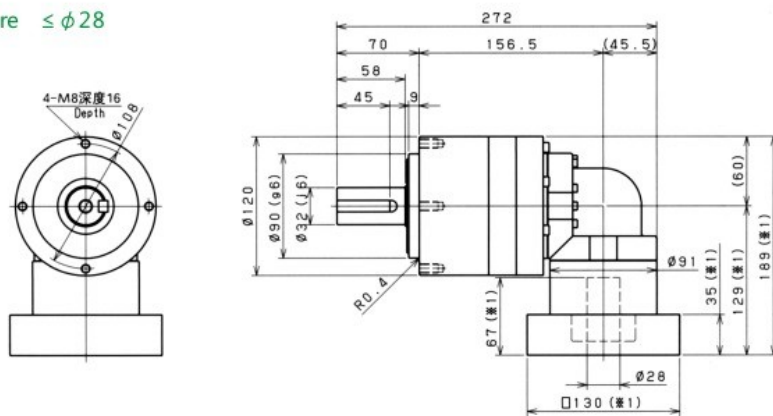
输入轴内径 Input shaft bore $\leq \phi 14$



输入轴内径 Input shaft bore $\leq \phi 19$



输入轴内径 Input shaft bore $\leq \phi 28$



- ※ 1 随安装马达的不同而有所差异。
- ※ 2 马达轴径与输入轴径不同时，可插入轴套。
- ※ 1 Length will vary depending on motor.
- ※ 2 Bushing will be inserted to adapt to motor shaft.

尺寸 Frame size	段位 Stage	减速比 Ratio	※1	※2	※3	※4	※5	※6	※7	
			容许 额定扭矩 Nominal output torque [Nm]	容许 最大扭矩 Maximum output torque [Nm]	紧急时 最大扭矩 Emergency stop torque [Nm]	容许额定 输入转速 Nominal input speed [rpm]	容许最高 输入转速 Maximum input speed [rpm]	容许 径向负荷 Permitted radial load [N]	容许 轴向负荷 Permitted axial load [N]	
155	1段 Single	3	130	260	700	2000	4000	3200	2400	
		4	170	340	950	2000	4000	3500	2700	
		5	200	400	1100	2000	4000	3800	3000	
		6	260	520	1100	2000	4000	4000	3300	
		7	300	600	1100	2000	4000	4200	3500	
		8	300	600	1100	2000	4000	4400	3700	
		9	200	400	750	2000	4000	4600	3900	
		10	200	400	750	2000	4000	4700	4100	
		2段 Double	15	200	400	750	2000	4000	5400	4900
			16	300	600	1100	2000	4000	5500	5000
	20		300	600	1100	2000	4000	6000	5500	
	25		300	600	1100	2000	4000	6400	6100	
	28		300	600	1100	2000	4000	6700	6400	
	30		200	400	750	2000	4000	6800	6600	
	35		300	600	1100	2000	4000	7200	7000	
	40		300	600	1100	2000	4000	7500	7500	
	45		200	400	750	2000	4000	7800	7900	
	50		300	600	1100	2000	4000	8100	8200	
	60	300	600	1100	2000	4000	8600	8200		
	70	300	600	1100	2000	4000	9100	8200		
80	300	600	1100	2000	4000	9100	8200			
90	200	400	750	2000	4000	9100	8200			
100	200	400	750	2000	4000	9100	8200			

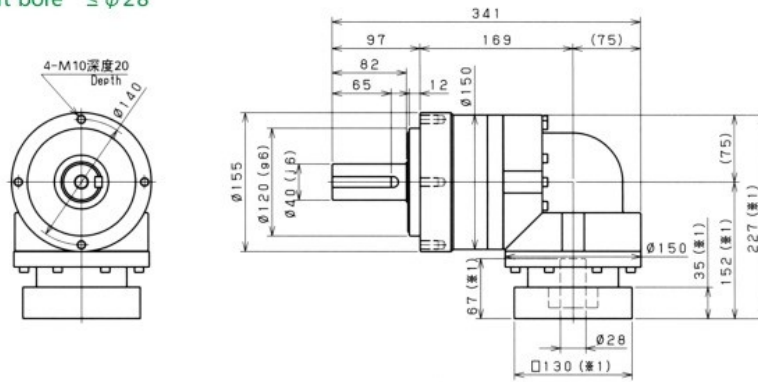
尺寸 Frame size	段位 Stage	减速比 Ratio	※8		※9		※10				
			容许最大 径向负荷 Maximum radial load [N]	容许最大 轴向负荷 Maximum axial load [N]	重量 Weight [kg]	惯性力矩 Moment of inertia (≤ φ19) [kgcm ²]	惯性力矩 Moment of inertia (≤ φ28) [kgcm ²]	惯性力矩 Moment of inertia (≤ φ38) [kgcm ²]	惯性力矩 Moment of inertia (≤ φ48) [kgcm ²]		
155	1段 Single	3	9100	8200	19.8	-	23.13	27.50	40.73		
		4	9100	8200		-	18.57	22.94	36.17		
		5	9100	8200		-	16.91	21.28	34.51		
		6	9100	8200		-	16.01	20.38	33.61		
		7	9100	8200		-	15.58	19.95	33.18		
		8	9100	8200		-	15.23	19.61	32.84		
		9	9100	8200		-	14.77	19.41	32.37		
		10	9100	8200		-	14.66	19.03	32.26		
		2段 Double	15	9100		8200	20.4	6.40	8.00	15.07	-
			16	9100		8200		7.29	8.88	15.96	-
	20		9100	8200	6.22	7.81		14.89	-		
	25		9100	8200	6.15	7.75		14.82	-		
	28		9100	8200	7.09	8.68		15.76	-		
	30		9100	8200	4.99	6.58		13.66	-		
	35		9100	8200	6.09	7.69		14.76	-		
	40		9100	8200	4.95	6.54		13.61	-		
	45		9100	8200	6.07	7.66		14.74	-		
	50		9100	8200	4.93	6.52		13.59	-		
	60	9100	8200	4.92	6.51	13.59	-				
	70	9100	8200	4.91	6.51	13.58	-				
80	9100	8200	4.91	6.50	13.58	-					
90	9100	8200	4.91	6.50	13.57	-					
100	9100	8200	4.91	6.50	13.57	-					

- ※ 1 输入转速为额定转速时，使用寿命为20000小时的值
- ※ 2 启动、停止时容许的最大值
- ※ 3 发生撞击时容许的最大值（频率最高为1000次）
- ※ 4 运转过程中，额定输入转速的容许最大值
- ※ 5 在非连续运转条件下容许的最高输入转速
- ※ 6 输入转速为额定转速时，使用寿命为20000小时的值（作用于轴中央，轴向负荷为0时）
- ※ 7 输入转速为额定转速时，使用寿命为20000小时的值（作用于轴芯，径向负荷为0时）
- ※ 8 径向负荷的容许最大值
- ※ 9 轴向负荷的容许最大值
- ※10 因减速比和输入轴尺寸的不同而有所不同。

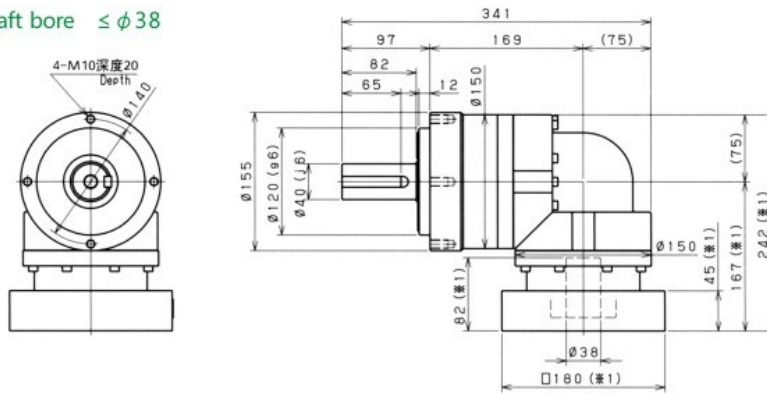
- ※ 1 With nominal input speed, service life is 20,000 hours.
- ※ 2 The maximum torque when starting and stopping.
- ※ 3 The maximum torque when it receives shock (up to 1,000 times)
- ※ 4 The maximum average input speed.
- ※ 5 The maximum momentary input speed.
- ※ 6 With this load and nominal input speed, service life will be 20,000 hours (Applied to the output shaft center, at axial load 0)
- ※ 7 With this load and nominal input speed, service life will be 20,000 hours (Applied to the output side bearing, at radial load 0)
- ※ 8 The maximum radial load the reducer can accept.
- ※ 9 The maximum axial load the reducer can accept.
- ※ 10 The weight may vary slightly model to model.

EPEL-155 1段 1stage

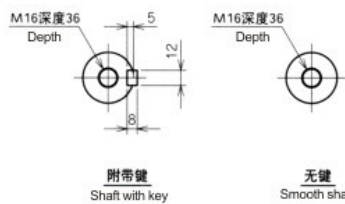
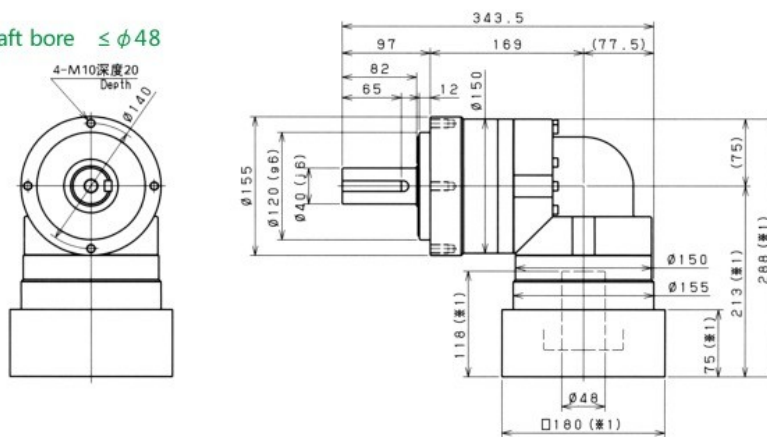
输入轴内径 Input shaft bore $\leq \phi 28$



输入轴内径 Input shaft bore $\leq \phi 38$



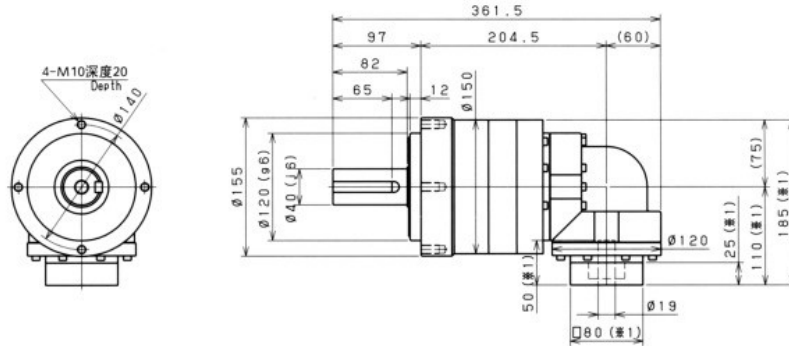
输入轴内径 Input shaft bore $\leq \phi 48$



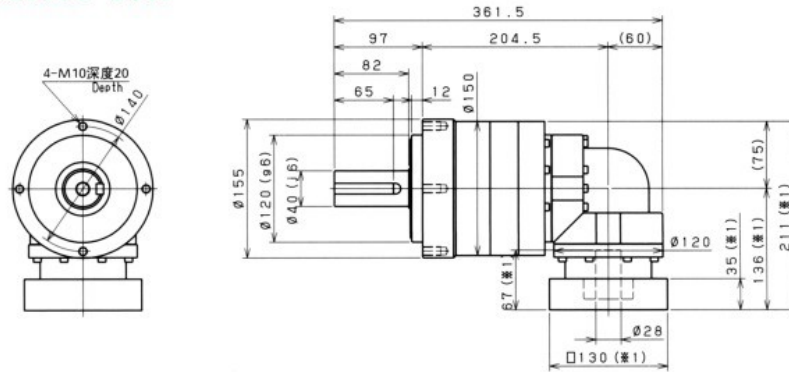
- ※ 1 随安装马达的不同而有所差异。
- ※ 2 马达轴径与输入轴径不同时，可插入轴套。
- ※ 1 Length will vary depending on motor.
- ※ 2 Bushing will be inserted to adapt to motor shaft.

EPEL-155 2段 2stage

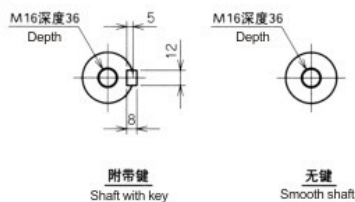
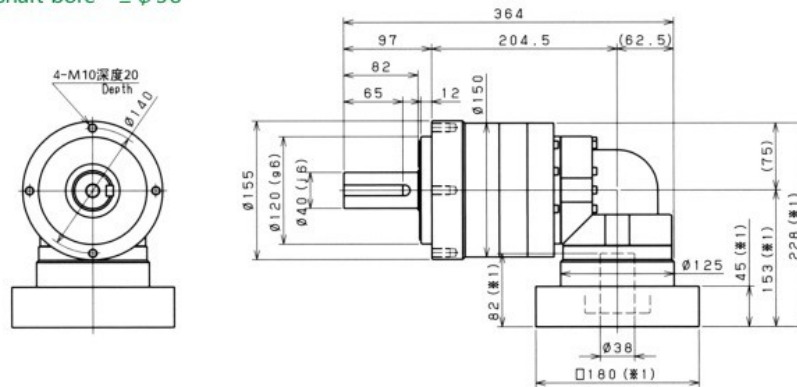
输入轴内径 Input shaft bore $\leq \phi 19$



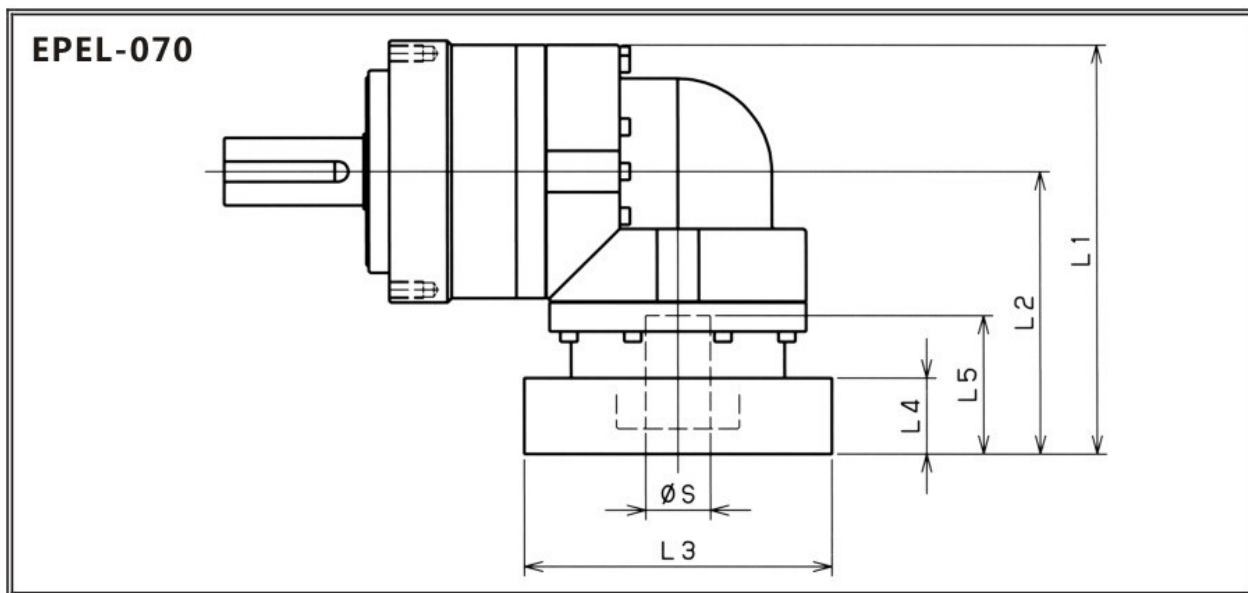
输入轴内径 Input shaft bore $\leq \phi 28$



输入轴内径 Input shaft bore $\leq \phi 38$



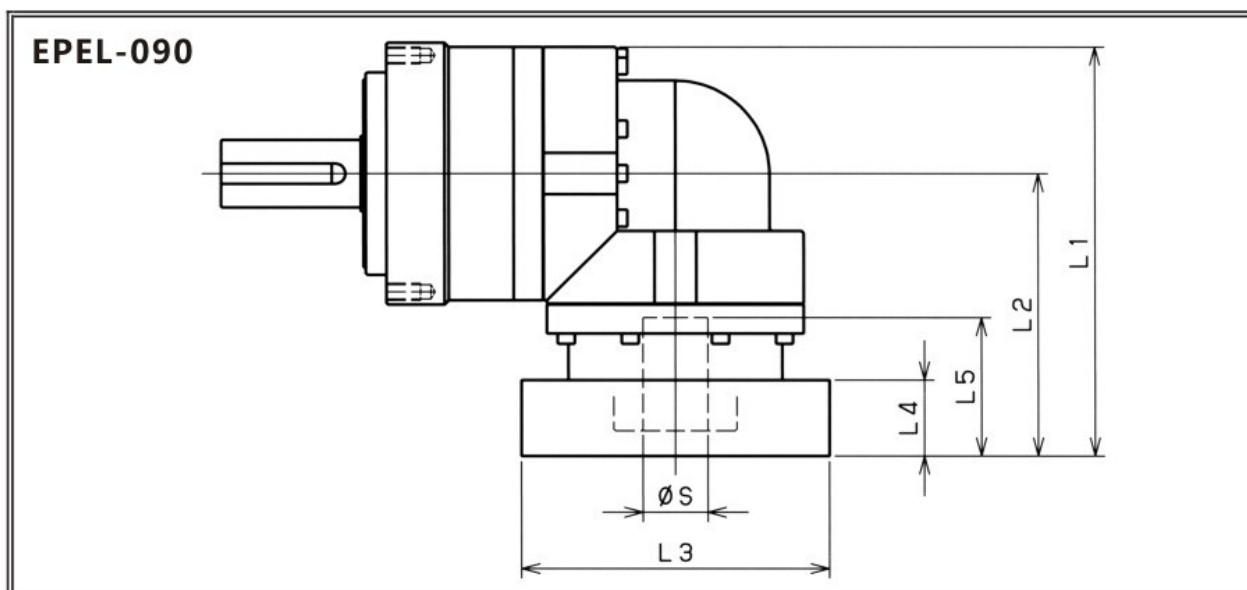
- ※ 1 随安装马达的不同而有所差异。
- ※ 2 马达轴径与输入轴径不同时，可插入轴套。
- ※ 1 Length will vary depending on motor.
- ※ 2 Bushing will be inserted to adapt to motor shaft.



型号 Model number	** : 输入法兰编号 ** : Input flange code	1段 Single					2段 Double				
		L1	L2	L3	L4	L5	L1	L2	L3	L4	L5
EPEL-070-□-□-8** (S ≤ 8)	AA·AC·AD·AF·AG	106.5	71.5	□52	15.5	32	99.5	64.5	□52	15.5	32
	AB·AE·AH·AJ·AK	111.5	76.5	□52	20.5	37	104.5	69.5	□52	20.5	37
	BA·BB·BD·BE	106.5	71.5	□60	15.5	32	99.5	64.5	□60	15.5	32
	BC·BF	111.5	76.5	□60	20.5	37	104.5	69.5	□60	20.5	37
	CA	111.5	76.5	□70	20.5	37	104.5	69.5	□70	20.5	37
EPEL-070-□-□-14** (8 < S ≤ 14)	BA·BB·BD·BE·BF·BG·BJ·BK	112.5	77.5	□65	16.5	35	103.5	68.5	□65	16.5	35
	BC·BH	117.5	82.5	□65	21.5	40	108.5	73.5	□65	21.5	40
	BL	122.5	87.5	□65	26.5	45	113.5	78.5	□65	26.5	45
	CA	112.5	77.5	□70	16.5	35	103.5	68.5	□70	16.5	35
	CB	117.5	82.5	□70	21.5	40	108.5	73.5	□70	21.5	40
	DA·DB·DC·DD·DF·DH	112.5	77.5	□80	16.5	35	103.5	68.5	□80	16.5	35
	DE	117.5	82.5	□80	21.5	40	108.5	73.5	□80	21.5	40
	DG	122.5	87.5	□80	26.5	45	113.5	78.5	□80	26.5	45
	EA·EB·EC	112.5	77.5	□90	16.5	35	103.5	68.5	□90	16.5	35
	ED	122.5	87.5	□90	26.5	45	113.5	78.5	□90	26.5	45
	FA	112.5	77.5	□100	16.5	35	103.5	68.5	□100	16.5	35
	GA	112.5	77.5	□115	16.5	35	103.5	68.5	□115	16.5	35
	EPEL-070-□-□-19** (14 < S ≤ 19)	DA·DB·DC	129.5	94.5	□80	25	50				
DD		139.5	104.5	□80	35	60					
DE		134.5	99.5	□80	30	55					
EA		134.5	99.5	□90	30	55					
EB		129.5	94.5	□90	25	50					
EC		139.5	104.5	□90	35	60					
FA		129.5	94.5	□100	25	50					
FB		139.5	104.5	□100	35	60					
GA·GC		134.5	99.5	□115	30	55					
GB·GD		129.5	94.5	□115	25	50					
HA		129.5	94.5	□130	25	50					
HB		144.5	109.5	□130	40	65					
HC·HD·HE	134.5	99.5	□130	30	55						

※ 1 1段减速 : 1/3 ~ 1/10; 2段减速 : 1/15 ~ 1/100
 ※ 2 马达轴径与输入轴径不同时, 可插入轴套。

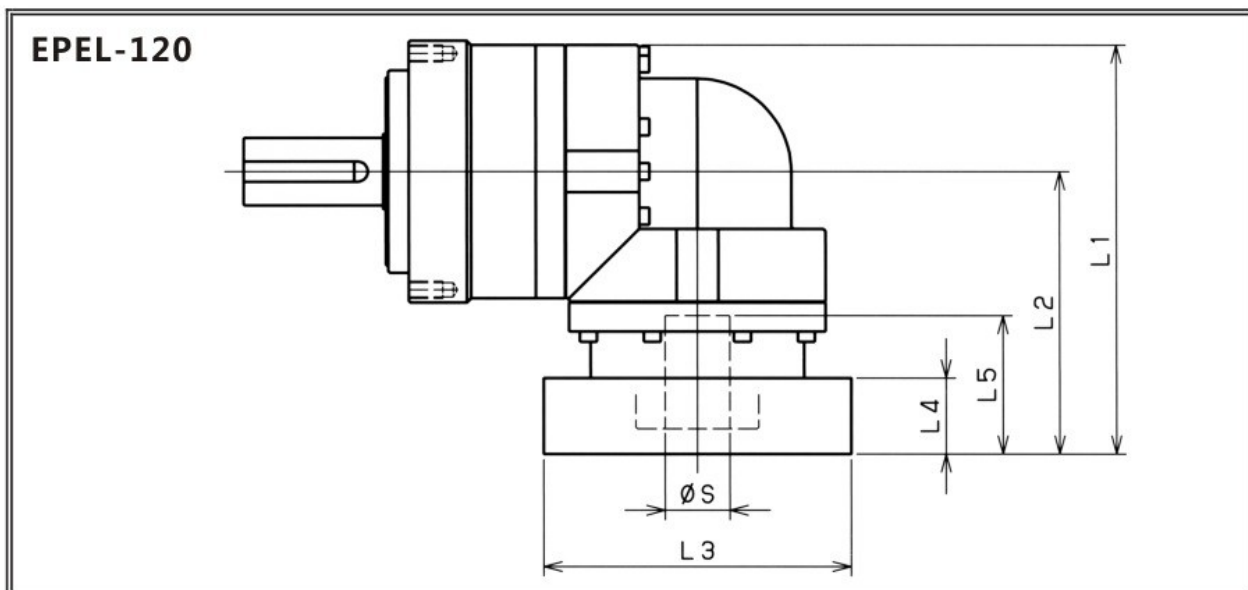
※ 1 Single reduction: 1/3 ~ 1/10, Double reduction: 1/15 ~ 1/100
 ※ 2 Bushing will be inserted to adapt to motor shaft.



型号 Model number	**: 输入法兰编号 **: Input flange code	1段 Single					2段 Double				
		L1	L2	L3	L4	L5	L1	L2	L3	L4	L5
EPEL-090-□-□-8** (S ≤ 8)	AA·AC·AD·AF·AG						117	71.5	□52	15.5	32
	AB·AE·AH·AJ·AK						122	76.5	□52	20.5	37
	BA·BB·BD·BE						117	71.5	□60	15.5	32
	BC·BF						122	76.5	□60	20.5	37
	CA						122	76.5	□70	20.5	37
EPEL-090-□-□-14** (8 < S ≤ 14)	BA·BB·BD·BE·BF·BG·BJ·BK	137.5	92	□65	16.5	35	123	77.5	□65	16.5	35
	BC·BH	142.5	97	□65	21.5	40	128	82.5	□65	21.5	40
	BL	147.5	102	□65	26.5	45	133	87.5	□65	26.5	45
	CA	137.5	92	□70	16.5	35	123	77.5	□70	16.5	35
	CB	142.5	97	□70	21.5	40	128	82.5	□70	21.5	40
	DA·DB·DC·DD·DF·DH	137.5	92	□80	16.5	35	123	77.5	□80	16.5	35
	DE	142.5	97	□80	21.5	40	128	82.5	□80	21.5	40
	DG	147.5	102	□80	26.5	45	133	87.5	□80	26.5	45
	EA·EB·EC	137.5	92	□90	16.5	35	123	77.5	□90	16.5	35
	ED	147.5	102	□90	26.5	45	133	87.5	□90	26.5	45
	FA	137.5	92	□100	16.5	35	123	77.5	□100	16.5	35
GA	137.5	92	□115	16.5	35	123	77.5	□115	16.5	35	
EPEL-090-□-□-19** (14 < S ≤ 19)	DA·DB·DC	145.5	100	□80	25	50	140	94.5	□80	25	50
	DD	155.5	110	□80	35	60	150	104.5	□80	35	60
	DE	150.5	105	□80	30	55	145	99.5	□80	30	55
	EA	150.5	105	□90	30	55	145	99.5	□90	30	55
	EB	145.5	100	□90	25	50	140	94.5	□90	25	50
	EC	155.5	110	□90	35	60	150	104.5	□90	35	60
	FA	145.5	100	□100	25	50	140	94.5	□100	25	50
	FB	155.5	110	□100	35	60	150	104.5	□100	35	60
	GA·GC	150.5	105	□115	30	55	145	99.5	□115	30	55
	GB·GD	145.5	100	□115	25	50	140	94.5	□115	25	50
	HA	145.5	100	□130	25	50	140	94.5	□130	25	50
HB	160.5	115	□130	40	65	155	109.5	□130	40	65	
HC·HD·HE	150.5	105	□130	30	55	145	99.5	□130	30	55	
EPEL-090-□-□-28** (19 < S ≤ 28)	FA·FB·FC	174.5	129	□100	35	67					
	GA·GB·GC·GD·GE·GF·GG	174.5	129	□115	35	67					
	HA·HC·HD	174.5	129	□130	35	67					
	HB	184.5	139	□130	45	77					
	JA·JB·JC	174.5	129	□150	35	67					
	KA·KB	174.5	129	□180	35	67					
	LA	174.5	129	□200	35	67					
MA	174.5	129	□220	35	67						

※ 1 1段减速: 1/3~1/10; 2段减速: 1/15~1/100
 ※ 2 马达轴径与输入轴径不同时, 可插入轴套。

※ 1 Single reduction: 1/3~1/10, Double reduction: 1/15~1/100
 ※ 2 Bushing will be inserted to adapt to motor shaft.



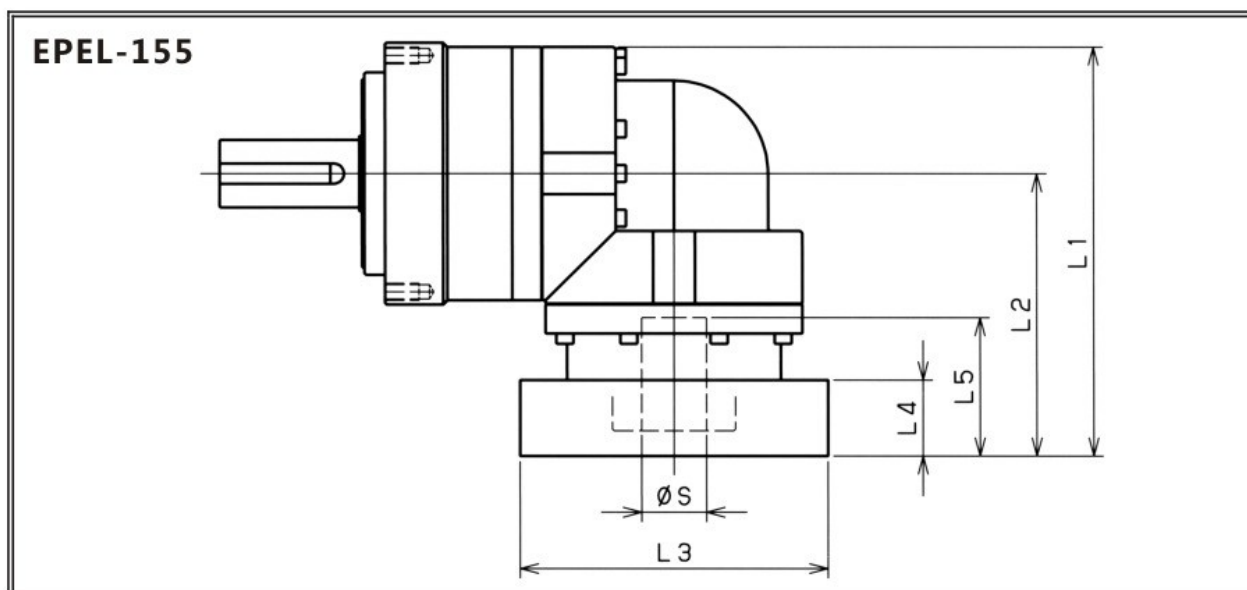
型号 Model number	**: 输入法兰编号 **: Input flange code	1段 Single					2段 Double				
		L1	L2	L3	L4	L5	L1	L2	L3	L4	L5
EPEL-120-□-□-14** (S ≤ 14)	BA·BB·BD·BE·BF·BG·BJ·BK						152	92	□65	16.5	35
	BC·BH						157	97	□65	21.5	40
	BL						162	102	□65	26.5	45
	CA						152	92	□70	16.5	35
	CB						157	97	□70	21.5	40
	DA·DB·DC·DD·DF·DH						152	92	□80	16.5	35
	DE						157	97	□80	21.5	40
	DG						162	102	□80	26.5	45
	EA·EB·EC						152	92	□90	16.5	35
	ED						162	102	□90	26.5	45
	FA						152	92	□100	16.5	35
	GA						152	92	□115	16.5	35
EPEL-120-□-□-19** (14 < S ≤ 19)	DA·DB·DC	170	110	□80	25	50	160	100	□80	25	50
	DD	180	120	□80	35	60	170	110	□80	35	60
	DE	175	115	□80	30	55	165	105	□80	30	55
	EA	175	115	□90	30	55	165	105	□90	30	55
	EB	170	110	□90	25	50	160	100	□90	25	50
	EC	180	120	□90	35	60	170	110	□90	35	60
	FA	170	110	□100	25	50	160	100	□100	25	50
	FB	180	120	□100	35	60	170	110	□100	35	60
	GA·GC	175	115	□115	30	55	165	105	□115	30	55
	GB·GD	170	110	□115	25	50	160	100	□115	25	50
	HA	170	110	□130	25	50	160	100	□130	25	50
	HB	185	125	□130	40	65	175	115	□130	40	65
HC·HD·HE	175	115	□130	30	55	165	105	□130	30	55	
EPEL-120-□-□-28** (19 < S ≤ 28)	FA·FB·FC	196	136	□100	35	67	189	129	□100	35	67
	GA·GB·GC·GD·GE·GF·GG	196	136	□115	35	67	189	129	□115	35	67
	HA·HC·HD	196	136	□130	35	67	189	129	□130	35	67
	HB	206	146	□130	45	77	199	139	□130	45	77
	JA·JB·JC	196	136	□150	35	67	189	129	□150	35	67
	KA·KB	196	136	□180	35	67	189	129	□180	35	67
	LA	196	136	□200	35	67	189	129	□200	35	67
	MA	196	136	□220	35	67	189	129	□220	35	67
EPEL-120-□-□-38** (28 < S ≤ 38)	HA	213	153	□130	45	82					
	HB	208	148	□130	40	77					
	JA	213	153	□150	45	82					
	KA·KB·KC	213	153	□180	45	82					
	LA	213	153	□200	45	82					
	LB	223	163	□200	55	92					
	MA·MB	213	153	□220	45	82					
NA	213	153	□250	45	82						

※ 1 1段减速: 1/3~1/10; 2段减速: 1/15~1/100

※ 2 马达轴径与输入轴径不同时, 可插入轴套。

※ 1 Single reduction: 1/3~1/10, Double reduction: 1/15~1/100

※ 2 Bushing will be inserted to adapt to motor shaft.

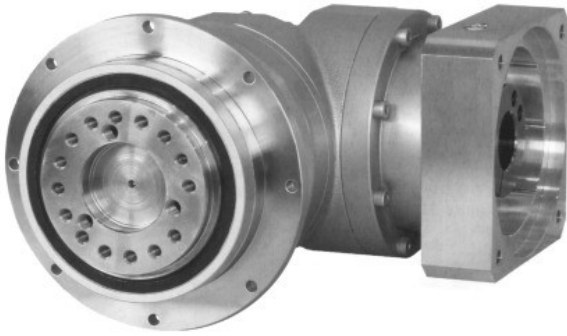


型号 Model number	** : 输入法兰编号 ** : Input flange code	1段 Single					2段 Double				
		L1	L2	L3	L4	L5	L1	L2	L3	L4	L5
EPEL-155-□-□-19** (S ≤ 19)	DA·DB·DC						187.5	110	□80	25	50
	DD						197.5	120	□80	35	60
	DE						192.5	115	□80	30	55
	EA						192.5	115	□90	30	55
	EB						187.5	110	□90	25	50
	EC						197.5	120	□90	35	60
	FA						187.5	110	□100	25	50
	FB						197.5	120	□100	35	60
	GA·GC						192.5	115	□115	30	55
	GB·GD						187.5	110	□115	25	50
	HA						187.5	110	□130	25	50
HB						202.5	125	□130	40	65	
HC·HD·HE						192.5	115	□130	30	55	
EPEL-155-□-□-28** (19 < S ≤ 28)	FA·FB·FC	229.5	152	□100	35	67	213.5	136	□100	35	67
	GA·GB·GC·GD·GE·GF·GG	229.5	152	□115	35	67	213.5	136	□115	35	67
	HA·HC·HD	229.5	152	□130	35	67	213.5	136	□130	35	67
	HB	239.5	162	□130	45	77	223.5	146	□130	45	77
	JA·JB·JC	229.5	152	□150	35	67	213.5	136	□150	35	67
	KA·KB	229.5	152	□180	35	67	213.5	136	□180	35	67
	LA	229.5	152	□200	35	67	213.5	136	□200	35	67
	MA	229.5	152	□220	35	67	213.5	136	□220	35	67
EPEL-155-□-□-38** (28 < S ≤ 38)	HA	244.5	167	□130	45	82	230.5	153	□130	45	82
	HB	239.5	162	□130	40	77	225.5	148	□130	40	77
	JA	244.5	167	□150	45	82	230.5	153	□150	45	82
	KA·KB·KC	244.5	167	□180	45	82	230.5	153	□180	45	82
	LA	244.5	167	□200	45	82	230.5	153	□200	45	82
	LB	254.5	177	□200	55	92	240.5	163	□200	55	92
	MA·MB	244.5	167	□220	45	82	230.5	153	□220	45	82
NA	244.5	167	□250	45	82	230.5	153	□250	45	82	
EPEL-155-□-□-48** (38 < S ≤ 48)	KB·KC	270.5	193	□180	55	98					
	KA	290.5	213	□180	75	118					
	LA	270.5	193	□200	55	98					
	MA	270.5	193	□220	55	98					
	MB	290.5	213	□220	75	118					
	NA	290.5	213	□250	75	118					
	PA	290.5	213	□280	75	118					

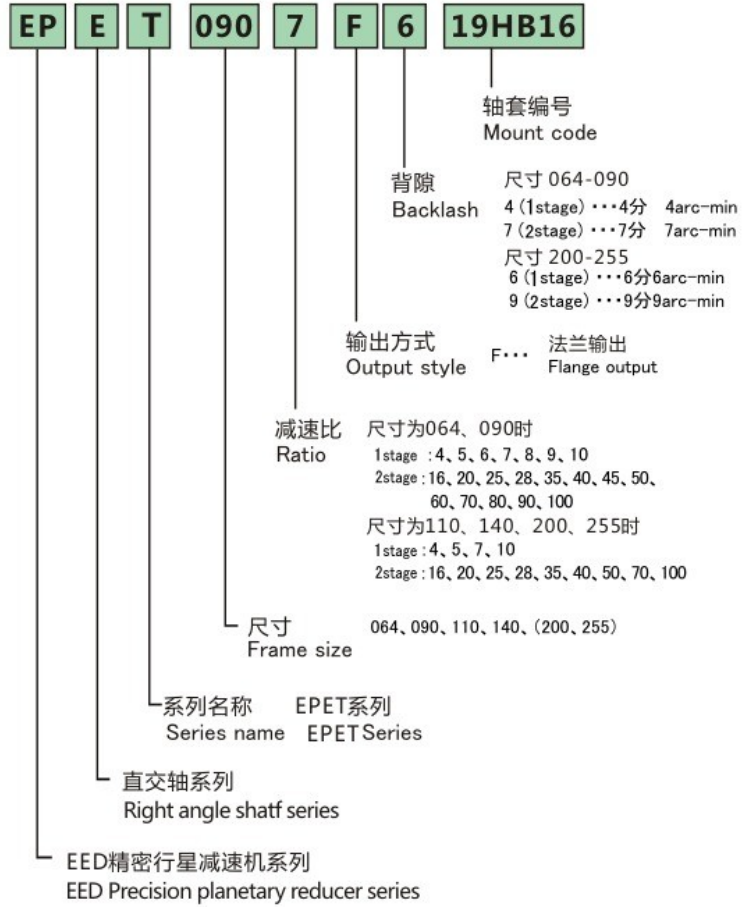
※ 1 1段减速 : 1/3 ~ 1/10; 2段减速 : 1/15 ~ 1/100
 ※ 2 马达轴径与输入轴径不同时, 可插入轴套。

※ 1 Single reduction: 1/3 ~ 1/10, Double reduction: 1/15 ~ 1/100
 ※ 2 Bushing will be inserted to adapt to motor shaft.

12、EPET Series



型号说明 Model Mark



省空间

直交型减速机使用螺旋式伞齿轮，马达的安装可实现90度弯曲，节省了安装空间。

Space-saving

Right angle reducer using spiral bevel gear, customer can locate the motor at 90 degree away from the reducer if required to save space.

高刚性、高扭矩

使用整体式滚珠轴承，大大提高了刚性和扭矩。

High rigidity & torque

High rigidity & higt torque were achived by uncaged needle roller bearings.

连接器、轴套方式

可以安装到世界上任何一台马达上。

Adapter-bushing connection

Can be attached to any motor all over the world.

高负载容量

主轴承采用锥形滚针轴承，实现高负载容量。
※尺寸064·090采用深沟球轴承

High load capacity

Adopting taper roller bearing for the main output shaft to increase radial and axial load.
※Frame size 064·090 adopt ball bearing.

维护方便

在产品寿命期内无需更换润滑脂，安装更便捷。

Maintenance-free

No need to replace the grease for the life of the unit.
Can be attached in any position.

尺寸 Frame size	段位 Stage	减速比 Ratio	※1	※2	※3	※4	※5	※6	※7
			容许 额定扭矩 Nominal output torque [Nm]	容许 最大扭矩 Maximum output torque [Nm]	紧急时 最大扭矩 Emergency stop torque [Nm]	容许额定 输入转速 Nominal input speed [rpm]	容许最高 输入转速 Maximum input speed [rpm]	容许 径向负荷 Permitted radial load [N]	容许 轴向负荷 Permitted axial load [N]
064	1段 Single	4	16	32	65	3000	6000	370	360
		5	22	40	80	3000	6000	400	390
		6	24	45	90	3000	6000	420	430
		7	24	45	90	3000	6000	440	460
		8	24	45	90	3000	6000	460	480
		9	16	32	65	3000	6000	480	510
	2段 Double	10	16	32	65	3000	6000	500	530
		16	24	45	90	3000	6000	580	650
		20	24	45	90	3000	6000	630	720
		25	24	45	90	3000	6000	680	750
		28	24	45	90	3000	6000	700	750
		35	24	45	90	3000	6000	760	750
		40	24	45	90	3000	6000	790	750
		45	16	32	65	3000	6000	820	750
		50	24	45	90	3000	6000	850	750
		60	24	45	90	3000	6000	910	750
		70	24	45	90	3000	6000	950	750
		80	24	45	90	3000	6000	1000	750
90	16	32	65	3000	6000	1000	750		
100	16	32	65	3000	6000	1100	750		

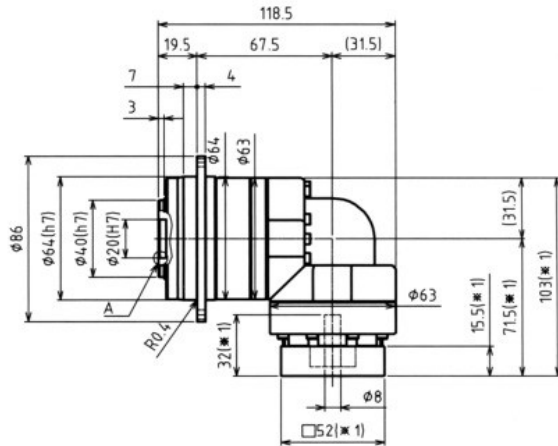
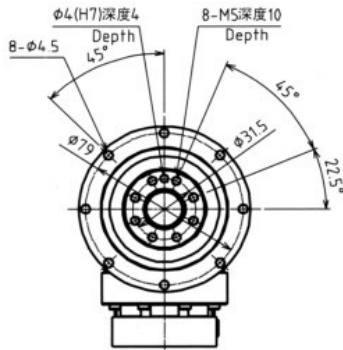
尺寸 Frame size	段位 Stage	减速比 Ratio	※8	※9	※10	惯性力矩 Moment of inertia ($\leq \phi 8$) [kgcm ²]	惯性力矩 Moment of inertia ($\leq \phi 14$) [kgcm ²]	惯性力矩 Moment of inertia ($\leq \phi 19$) [kgcm ²]
			容许最大 径向负荷 Maximum radial load [N]	容许最大 轴向负荷 Maximum axial load [N]	重量 Weight [kg]			
064	1段 Single	4	1500	750	1.9	0.305	0.379	0.569
		5	1500	750		0.273	0.348	0.537
		6	1500	750		0.256	0.331	0.521
		7	1500	750		0.246	0.321	0.510
		8	1500	750		0.240	0.315	0.504
		9	1500	750		0.236	0.311	0.500
	2段 Double	10	1500	750	0.233	0.308	0.497	
		16	1500	750	0.082	0.126	-	
		20	1500	750	0.073	0.118	-	
		25	1500	750	0.072	0.116	-	
		28	1500	750	0.078	0.123	-	
		35	1500	750	0.071	0.115	-	
		40	1500	750	0.062	0.106	-	
		45	1500	750	0.070	0.115	-	
		50	1500	750	0.061	0.106	-	
		60	1500	750	0.061	0.106	-	
		70	1500	750	0.061	0.106	-	
		80	1500	750	0.061	0.106	-	
90	1500	750	0.061	0.106	-			
100	1500	750	0.061	0.105	-			

- ※ 1 输入转速为额定转速时，使用寿命为20000小时的值
- ※ 2 启动、停止时容许的最大值
- ※ 3 发生撞击时容许的最大值（频率最高为1000次）
- ※ 4 运转过程中，额定输入转速的容许最大值
- ※ 5 在非连续运转条件下容许的最高输入转速
- ※ 6 输入转速为额定转速时，使用寿命为20000小时的值（作用于轴中央，轴向负荷为0时）
- ※ 7 输入转速为额定转速时，使用寿命为20000小时的值（作用于轴芯，径向负荷为0时）
- ※ 8 径向负荷的容许最大值
- ※ 9 轴向负荷的容许最大值
- ※ 10 因减速比和输入轴尺寸的不同而有所不同。

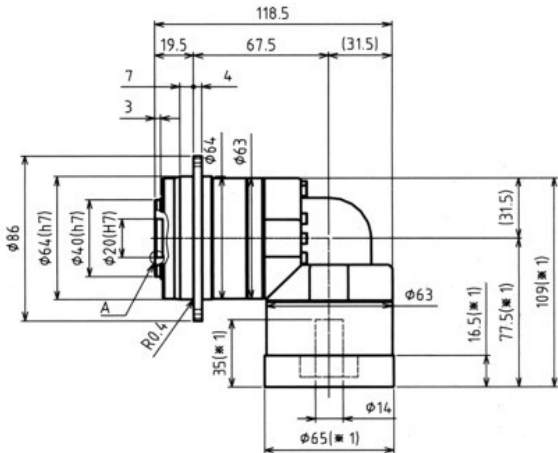
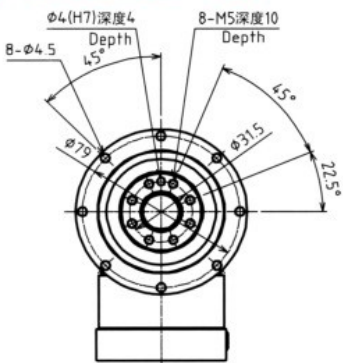
- ※ 1 With nominal input speed, service life is 20,000 hours.
- ※ 2 The maximum torque when starting and stopping.
- ※ 3 The maximum torque when it receives shock (up to 1,000 times)
- ※ 4 The maximum average input speed.
- ※ 5 The maximum momentary input speed.
- ※ 6 With this load and nominal input speed, service life will be 20,000 hours (Applied to the output shaft center, at axial load 0)
- ※ 7 With this load and nominal input speed, service life will be 20,000 hours (Applied to the output side bearing, at radial load 0)
- ※ 8 The maximum radial load the reducer can accept.
- ※ 9 The maximum axial load the reducer can accept.
- ※ 10 The weight may vary slightly model to model.

EPET-064 1段 1stage

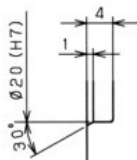
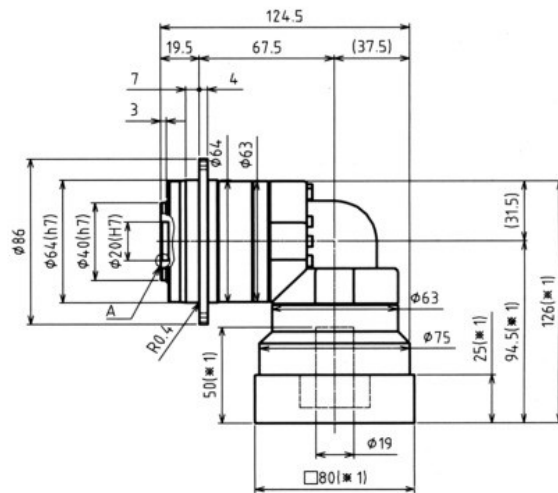
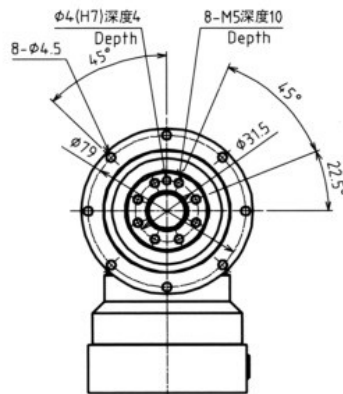
输入轴内径 Input shaft bore $\leq \phi 8$



输入轴内径 Input shaft bore $\leq \phi 14$



输入轴内径 Input shaft bore $\leq \phi 19$

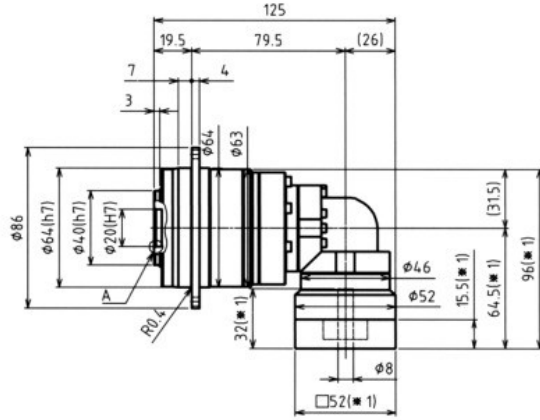
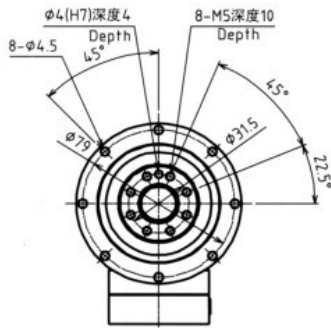


- ※ 1 随安装马达的不同而有所差异。
- ※ 2 马达轴径与输入轴径不同时，可插入轴套。
- ※ 1 Length will vary depending on motor.
- ※ 2 Bushing will be inserted to adapt to motor shaft.

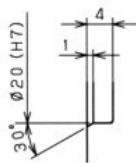
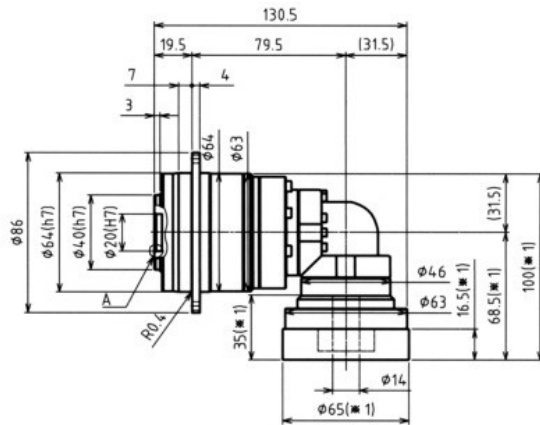
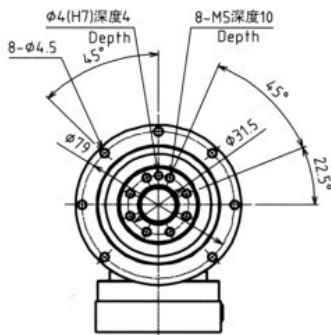
A部详细图
Enlarged detail A

EPET-064 2段 2stage

输入轴内径 Input shaft bore $\leq \phi 8$



输入轴内径 Input shaft bore $\leq \phi 14$



A部详细图
Enlarged detail A

- ※ 1 随安装马达的不同而有所差异。
- ※ 2 马达轴径与输入轴径不同时，可插入轴套。
- ※ 1 Length will vary depending on motor.
- ※ 2 Bushing will be inserted to adapt to motor shaft.

尺寸 Frame size	段位 Stage	减速比 Ratio	※1	※2	※3	※4	※5	※6	※7
			容许 额定扭矩 Nominal output torque	容许 最大扭矩 Maximum output torque	紧急时 最大扭矩 Emergency stop torque	容许额定 输入转速 Nominal input speed	容许最高 输入转速 Maximum input speed	容许 径向负荷 Permitted radial load	容许 轴向负荷 Permitted axial load
			[Nm]	[Nm]	[Nm]	[rpm]	[rpm]	[N]	[N]
090	1段 Single	4	60	90	170	3000	6000	720	620
		5	65	90	220	3000	6000	780	680
		6	65	90	220	3000	6000	830	740
		7	65	90	220	3000	6000	870	790
		8	65	90	220	3000	6000	910	830
		9	45	65	170	3000	6000	950	880
	2段 Double	10	45	65	170	3000	6000	980	920
		16	65	110	220	3000	6000	1200	1100
		20	65	110	220	3000	6000	1200	1200
		25	65	110	220	3000	6000	1300	1400
		28	65	110	220	3000	6000	1400	1400
		35	65	110	220	3000	6000	1500	1600
		40	65	110	220	3000	6000	1600	1700
		45	45	65	170	3000	6000	1600	1700
		50	65	110	220	3000	6000	1700	1700
		60	65	110	220	3000	6000	1800	1700
		70	65	110	220	3000	6000	1900	1700
		80	65	110	220	3000	6000	2000	1700
90	45	65	170	3000	6000	2000	1700		
100	45	65	170	3000	6000	2100	1700		

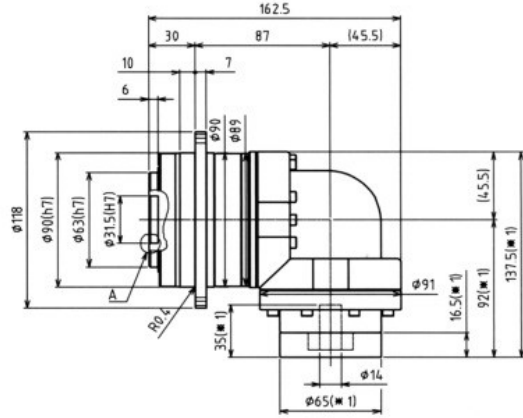
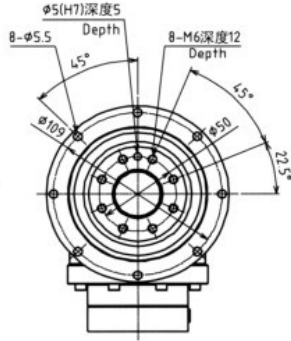
尺寸 Frame size	段位 Stage	减速比 Ratio	※8	※9	※10	惯性力矩 Moment of inertia ($\leq \phi 8$)	惯性力矩 Moment of inertia ($\leq \phi 14$)	惯性力矩 Moment of inertia ($\leq \phi 19$)	惯性力矩 Moment of inertia ($\leq \phi 28$)
			容许最大 径向负荷 Maximum radial load	容许最大 轴向负荷 Maximum axial load	重量 Weight	[kgcm ²]	[kgcm ²]	kgcm ²	kgcm ²
			[N]	[N]	[kg]	[kgcm ²]	[kgcm ²]	kgcm ²	kgcm ²
090	1段 Single	4	3300	1700	5.1	-	2.17	2.50	4.63
		5	3300	1700		-	1.98	2.31	4.43
		6	3300	1700		-	1.88	2.21	4.33
		7	3300	1700		-	1.81	2.14	4.27
		8	3300	1700		-	1.78	2.10	4.23
		9	3300	1700		-	1.75	2.08	4.21
	2段 Double	10	3300	1700	-	1.73	2.06	4.19	
		16	3300	1700	4.3	0.40	0.48	0.66	-
		20	3300	1700		0.34	0.41	0.60	-
		25	3300	1700		0.33	0.41	0.59	-
		28	3300	1700		0.38	0.45	0.64	-
		35	3300	1700		0.32	0.40	0.59	-
		40	3300	1700		0.25	0.33	0.51	-
		45	3300	1700		0.32	0.40	0.59	-
		50	3300	1700		0.25	0.32	0.51	-
		60	3300	1700		0.25	0.32	0.51	-
		70	3300	1700		0.25	0.32	0.51	-
		80	3300	1700		0.25	0.32	0.51	-
90	3300	1700	0.25	0.32		0.51	-		
100	3300	1700	0.25	0.32	0.51	-			

- ※ 1 输入转速为额定转速时，使用寿命为20000小时的值
- ※ 2 启动、停止时容许的最大值
- ※ 3 发生撞击时容许的最大值（频率最高为1000次）
- ※ 4 运转过程中，额定输入转速的容许最大值
- ※ 5 在非连续运转条件下容许的最高输入转速
- ※ 6 输入转速为额定转速时，使用寿命为20000小时的值（作用于轴中央，轴向负荷为0时）
- ※ 7 输入转速为额定转速时，使用寿命为20000小时的值（作用于轴芯，径向负荷为0时）
- ※ 8 径向负荷的容许最大值
- ※ 9 轴向负荷的容许最大值
- ※ 10 因减速比和输入轴尺寸的不同而有所不同。

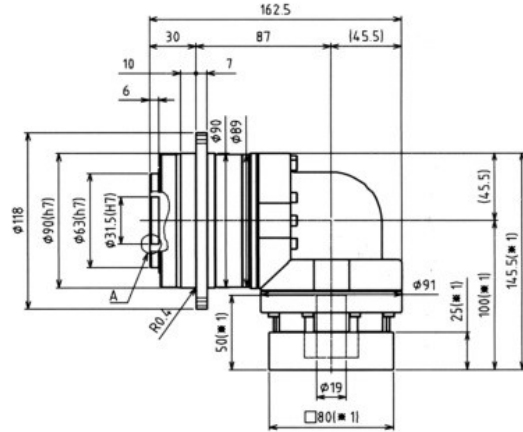
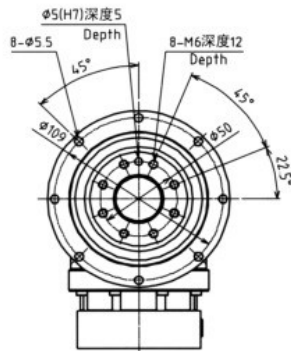
- ※ 1 With nominal input speed, service life is 20,000 hours.
- ※ 2 The maximum torque when starting and stopping.
- ※ 3 The maximum torque when it receives shock (up to 1,000 times)
- ※ 4 The maximum average input speed.
- ※ 5 The maximum momentary input speed.
- ※ 6 With this load and nominal input speed, service life will be 20,000 hours (Applied to the output shaft center, at axial load 0)
- ※ 7 With this load and nominal input speed, service life will be 20,000 hours (Applied to the output side bearing, at radial load 0)
- ※ 8 The maximum radial load the reducer can accept.
- ※ 9 The maximum axial load the reducer can accept.
- ※ 10 The weight may vary slightly model to model.

EPET-090 1段 1stage

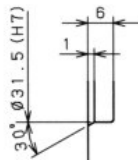
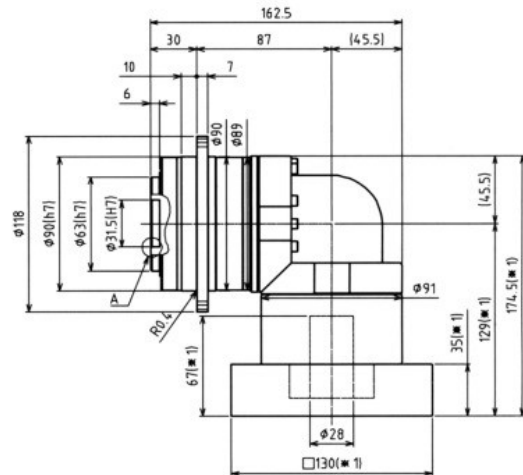
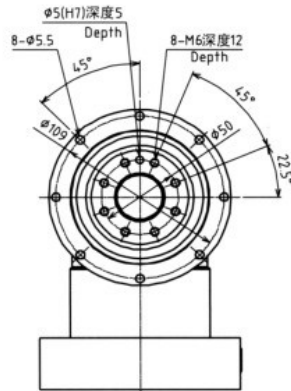
输入轴内径 Input shaft bore $\leq \phi 14$



输入轴内径 Input shaft bore $\leq \phi 19$



输入轴内径 Input shaft bore $\leq \phi 28$

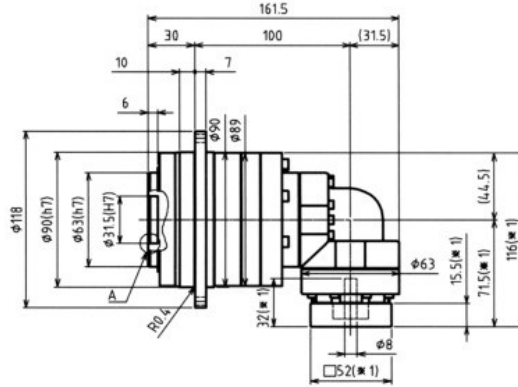
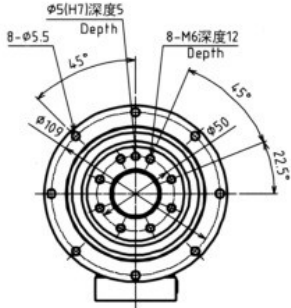


A部详细图
Enlarged detail A

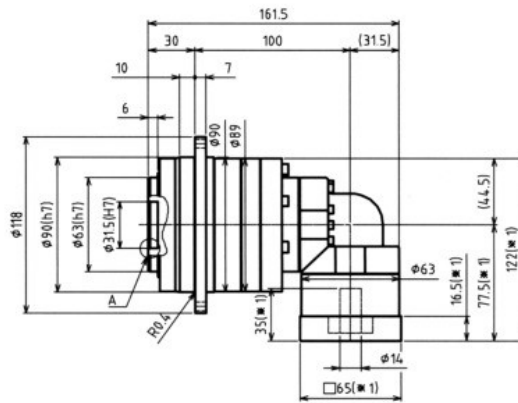
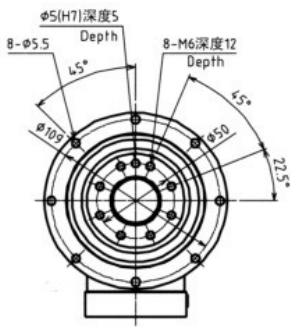
- ※ 1 随安装马达的不同而有所差异。
- ※ 2 马达轴径与输入轴径不同时，可插入轴套。
- ※ 1 Length will vary depending on motor.
- ※ 2 Bushing will be inserted to adapt to motor shaft.

EPET-090 2段 2stage

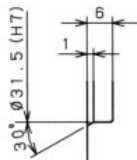
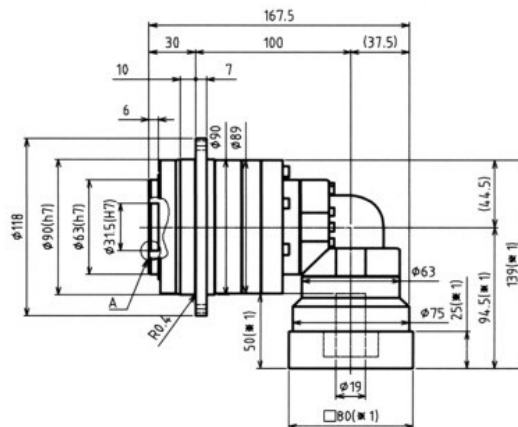
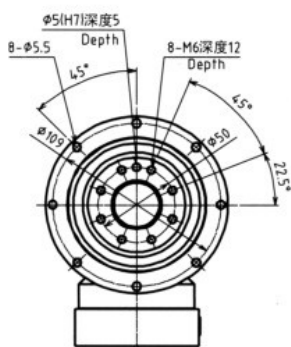
输入轴内径 Input shaft bore $\leq \phi 8$



输入轴内径 Input shaft bore $\leq \phi 14$



输入轴内径 Input shaft bore $\leq \phi 19$



A部详细图
Enlarged detail A

- ※ 1 随安装马达的不同而有所差异。
- ※ 2 马达轴径与输入轴径不同时，可插入轴套。
- ※ 1 Length will vary depending on motor.
- ※ 2 Bushing will be inserted to adapt to motor shaft.

尺寸 Frame size	段位 Stage	减速比 Ratio	※1	※2	※3	※4	※5	※6	※7
			容许 额定扭矩 Nominal output torque [Nm]	容许 最大扭矩 Maximum output torque [Nm]	紧急时 最大扭矩 Emergency stop torque [Nm]	容许额定 输入转速 Nominal input speed [rpm]	容许最高 输入转速 Maximum input speed [rpm]	容许 径向负荷 Permitted radial load [N]	容许 轴向负荷 Permitted axial load [N]
110	1段 Single	4	100	200	430	3000	6000	4700	3200
		5	120	240	500	3000	6000	5000	3400
		7	150	300	550	3000	6000	5600	3800
		10	110	200	450	3000	6000	6200	4200
	2段 Double	16	130	260	550	3000	6000	7100	4800
		20	150	300	550	3000	6000	7600	5200
		25	150	300	550	3000	6000	8200	5500
		28	150	300	550	3000	6000	8500	5700
		35	150	300	550	3000	6000	9000	6100
		40	150	300	550	3000	6000	9400	6400
		50	150	300	550	3000	6000	10000	6800
		70	150	300	550	3000	6000	11000	7500
		100	110	200	450	3000	6000	12000	8400

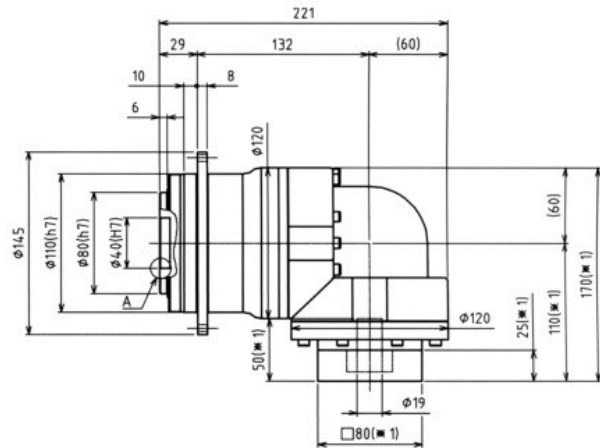
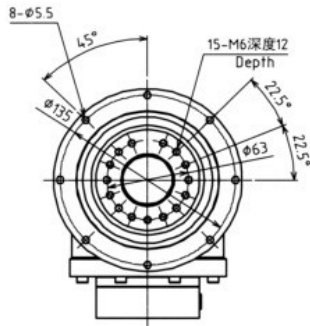
尺寸 Frame size	段位 Stage	减速比 Ratio	※8	※9	※10	惯性力矩 Moment of inertia ($\leq \phi 14$)	惯性力矩 Moment of inertia ($\leq \phi 19$)	惯性力矩 Moment of inertia ($\leq \phi 28$)	惯性力矩 Moment of inertia ($\leq \phi 38$)
			容许最大 径向负荷 Maximum radial load [N]	容许最大 轴向负荷 Maximum axial load [N]	重量 Weight [kg]	[kgcm ²]	[kgcm ²]	kgcm ²	kgcm ²
110	1段 Single	4	12000	8800	9.5	-	6.46	8.06	15.13
		5	12000	8800		-	5.65	7.24	14.31
		7	12000	8800		-	4.97	6.56	13.63
		10	12000	8800		-	4.62	6.21	13.28
	2段 Double	16	12000	8800	9.0	2.52	2.85	4.98	-
		20	12000	8800		2.24	2.57	4.69	-
		25	12000	8800		2.20	2.53	4.66	-
		28	12000	8800		2.42	2.75	4.88	-
		35	12000	8800		2.17	2.50	4.63	-
		40	12000	8800		1.87	2.20	4.33	-
		50	12000	8800		1.86	2.19	4.32	-
		70	12000	8800		1.85	2.18	4.31	-
		100	12000	8800		1.85	2.18	4.31	-

- ※ 1 输入转速为额定转速时，使用寿命为20000小时的值
- ※ 2 启动、停止时容许的最大值
- ※ 3 发生撞击时容许的最大值（频率最高为1000次）
- ※ 4 运转过程中，额定输入转速的容许最大值
- ※ 5 在非连续运转条件下容许的最高输入转速
- ※ 6 输入转速为额定转速时，使用寿命为20000小时的值（作用于轴中央，轴向负荷为0时）
- ※ 7 输入转速为额定转速时，使用寿命为20000小时的值（作用于轴芯，径向负荷为0时）
- ※ 8 径向负荷的容许最大值
- ※ 9 轴向负荷的容许最大值
- ※10 因减速比和输入轴尺寸的不同而有所不同。

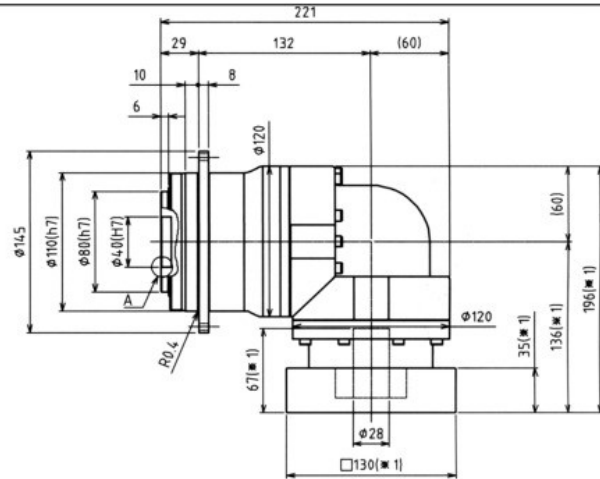
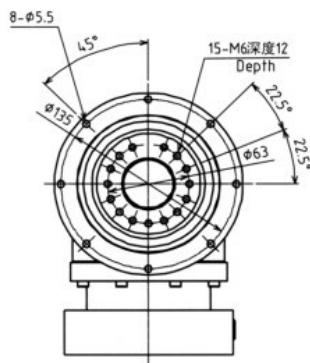
- ※ 1 With nominal input speed, service life is 20,000 hours.
- ※ 2 The maximum torque when starting and stopping.
- ※ 3 The maximum torque when it receives shock (up to 1,000 times)
- ※ 4 The maximum average input speed.
- ※ 5 The maximum momentary input speed.
- ※ 6 With this load and nominal input speed, service life will be 20,000 hours (Applied to the output shaft center, at axial load 0)
- ※ 7 With this load and nominal input speed, service life will be 20,000 hours (Applied to the output side bearing, at radial load 0)
- ※ 8 The maximum radial load the reducer can accept.
- ※ 9 The maximum axial load the reducer can accept.
- ※ 10 The weight may vary slightly model to model.

EPET-110 1段 1stage

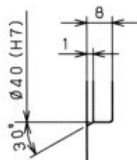
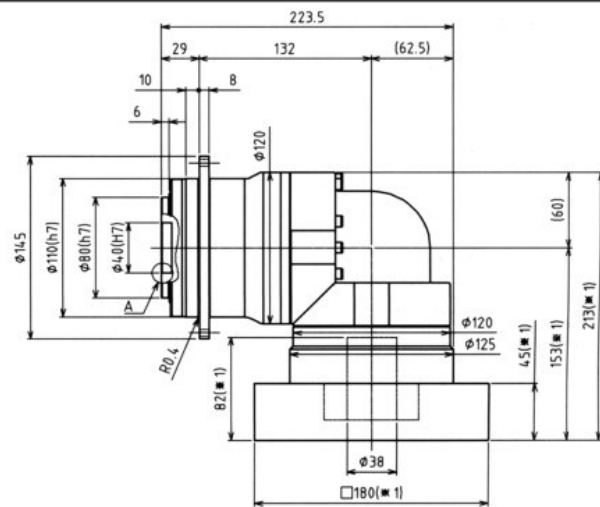
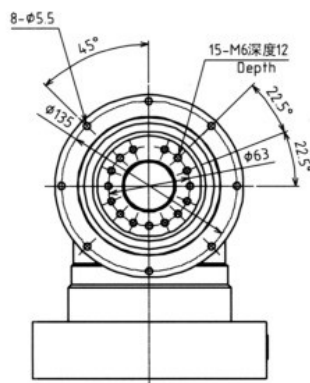
输入轴内径 Input shaft bore $\leq \phi 19$



输入轴内径 Input shaft bore $\leq \phi 28$



输入轴内径 Input shaft bore $\leq \phi 38$

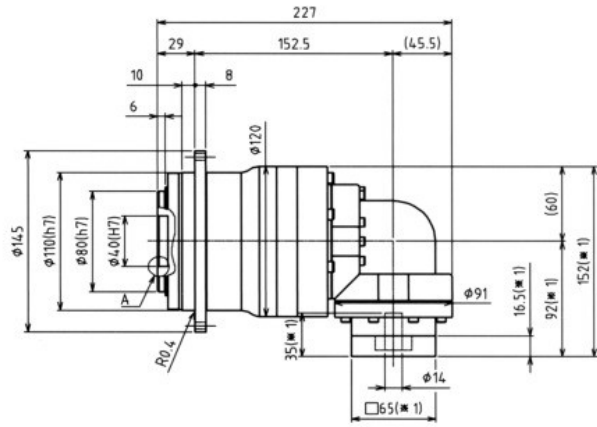
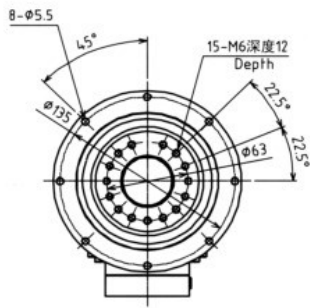


A部详细图
Enlarged detail A

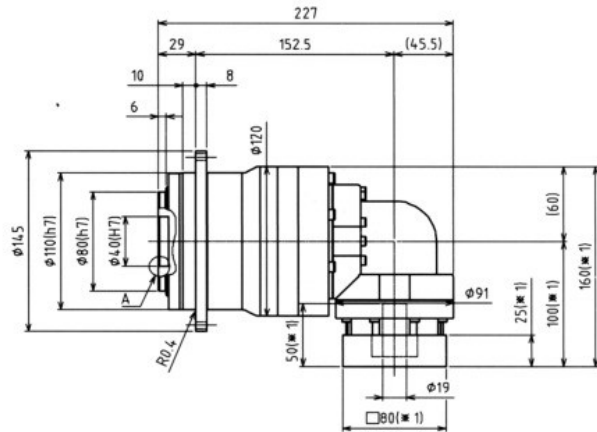
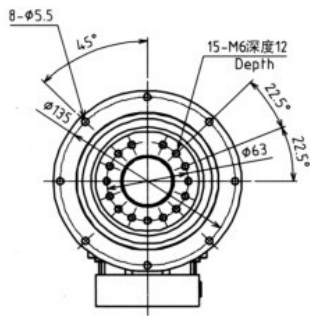
- ※ 1 随安装马达的不同而有所差异。
- ※ 2 马达轴径与输入轴径不同时，可插入轴套。
- ※ 1 Length will vary depending on motor.
- ※ 2 Bushing will be inserted to adapt to motor shaft.

EPET-110 2段 2stage

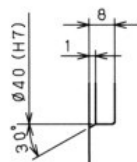
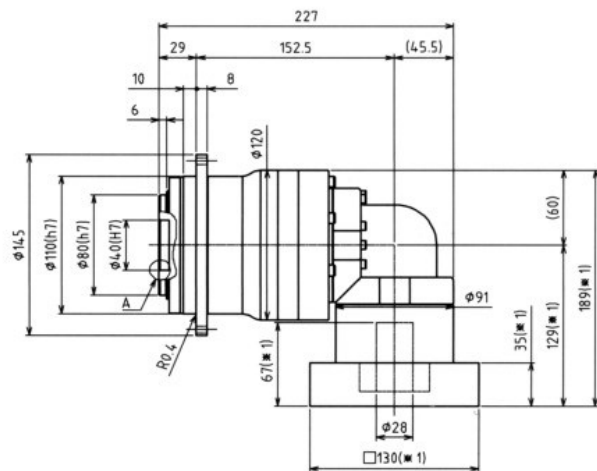
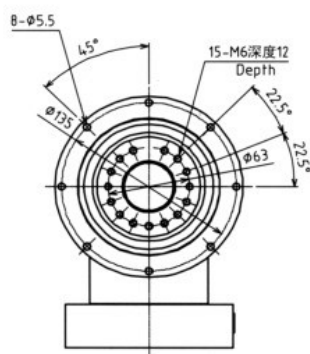
输入轴内径 Input shaft bore $\leq \phi 14$



输入轴内径 Input shaft bore $\leq \phi 19$



输入轴内径 Input shaft bore $\leq \phi 28$



A部详细图
Enlarged detail A

- ※ 1 随安装马达的不同而有所差异。
- ※ 2 马达轴径与输入轴径不同时，可插入轴套。
- ※ 1 Length will vary depending on motor.
- ※ 2 Bushing will be inserted to adapt to motor shaft.

尺寸 Frame size	段位 Stage	减速比 Ratio	※1	※2	※3	※4	※5	※6	※7
			容许 额定扭矩 Nominal output torque	容许 最大扭矩 Maximum output torque	紧急时 最大扭矩 Emergency stop torque	容许额定 输入转速 Nominal input speed	容许最高 输入转速 Maximum input speed	容许 径向负荷 Permitted radial load	容许 轴向负荷 Permitted axial load
			[Nm]	[Nm]	[Nm]	[rpm]	[rpm]	[N]	[N]
140	1段 Single	4	170	340	950	2000	4000	8000	5600
		5	200	400	1100	2000	4000	8500	6000
		7	300	600	1100	2000	4000	9400	6700
		10	200	400	750	2000	4000	10000	7400
	2段 Double	16	300	600	1100	2000	4000	12000	8500
		20	300	600	1100	2000	4000	13000	9100
		25	300	600	1100	2000	4000	14000	9800
		28	300	600	1100	2000	4000	14000	10000
		35	300	600	1100	2000	4000	15000	11000
		40	300	600	1100	2000	4000	16000	11000
		50	300	600	1100	2000	4000	17000	12000
		70	300	600	1100	2000	4000	19000	13000
		100	200	400	750	2000	4000	19000	14000

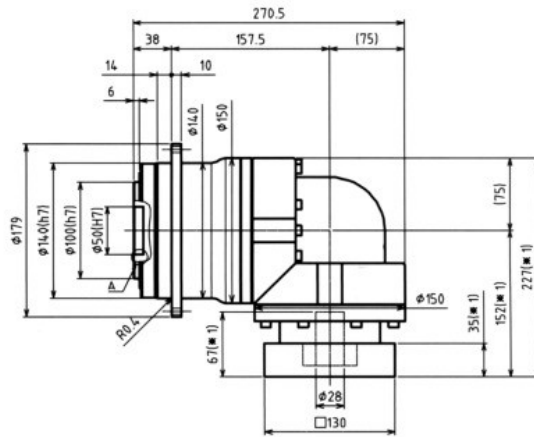
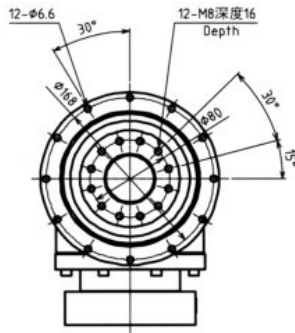
尺寸 Frame size	段位 Stage	减速比 Ratio	※8	※9	※10	惯性力矩 Moment of inertia ($\leq \phi 19$)	惯性力矩 Moment of inertia ($\leq \phi 28$)	惯性力矩 Moment of inertia ($\leq \phi 38$)	惯性力矩 Moment of inertia ($\leq \phi 48$)
			容许最大 径向负荷 Maximum radial load	容许最大 轴向负荷 Maximum axial load	重量 Weight	[kgcm ²]	[kgcm ²]	[kgcm ²]	[kgcm ²]
			[N]	[N]	[kg]	[kgcm ²]	[kgcm ²]	[kgcm ²]	[kgcm ²]
140	1段 Single	4	19000	14000	17.4	-	22.58□	26.96□	40.19□
		5	19000	14000		-	19.57□	23.94□	37.17□
		7	19000	14000		-	17.07□	21.45□	34.68□
		10	19000	14000		-	15.36□	19.73□	32.96□
	2段 Double	16	19000	14000	17.6	7.24	8.83	15.91	-
		20	19000	14000		6.21	7.80	14.88	-
		25	19000	14000		6.09	7.69	14.76	-
		28	19000	14000		6.89	8.48	15.55	-
		35	19000	14000		5.98	7.58	14.65	-
		40	19000	14000		4.94	6.53	13.60	-
		50	19000	14000		4.91	6.50	13.58	-
		70	19000	14000		4.88	6.48	13.55	-
		100	19000	14000		4.87	6.46	13.54	-

- ※ 1 输入转速为额定转速时，使用寿命为20000小时的值
- ※ 2 启动、停止时容许的最大值
- ※ 3 发生撞击时容许的最大值（频率最高为1000次）
- ※ 4 运转过程中，额定输入转速的容许最大值
- ※ 5 在非连续运转条件下容许的最高输入转速
- ※ 6 输入转速为额定转速时，使用寿命为20000小时的值（作用于轴中央，轴向负荷为0时）
- ※ 7 输入转速为额定转速时，使用寿命为20000小时的值（作用于轴芯，径向负荷为0时）
- ※ 8 径向负荷的容许最大值
- ※ 9 轴向负荷的容许最大值
- ※ 10 因减速比和输入轴尺寸的不同而有所不同。

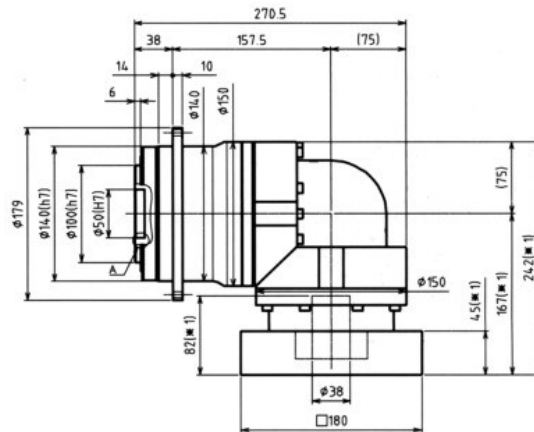
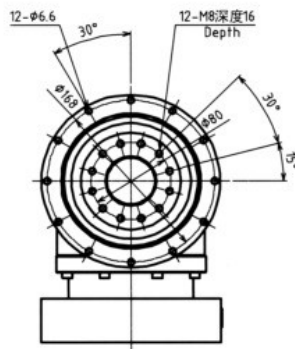
- ※ 1 With nominal input speed, service life is 20,000 hours.
- ※ 2 The maximum torque when starting and stopping.
- ※ 3 The maximum torque when it receives shock (up to 1,000 times)
- ※ 4 The maximum average input speed.
- ※ 5 The maximum momentary input speed.
- ※ 6 With this load and nominal input speed, service life will be 20,000 hours (Applied to the output shaft center, at axial load 0)
- ※ 7 With this load and nominal input speed, service life will be 20,000 hours (Applied to the output side bearing, at radial load 0)
- ※ 8 The maximum radial load the reducer can accept.
- ※ 9 The maximum axial load the reducer can accept.
- ※ 10 The weight may vary slightly model to model.

EPET-140 1段 1stage

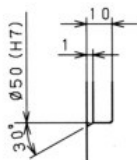
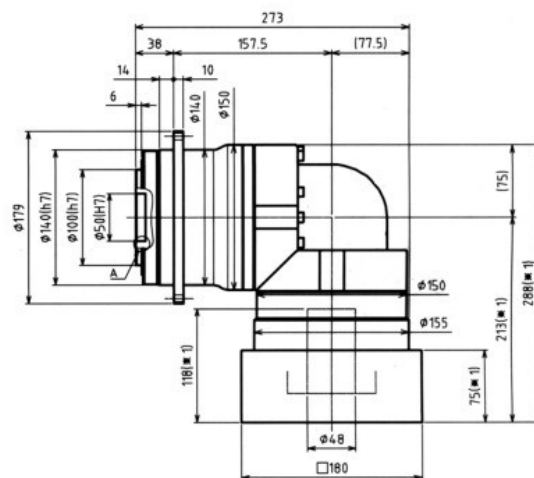
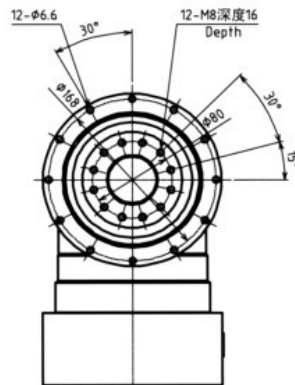
输入轴内径 Input shaft bore $\leq \phi 28$



输入轴内径 Input shaft bore $\leq \phi 38$



输入轴内径 Input shaft bore $\leq \phi 48$

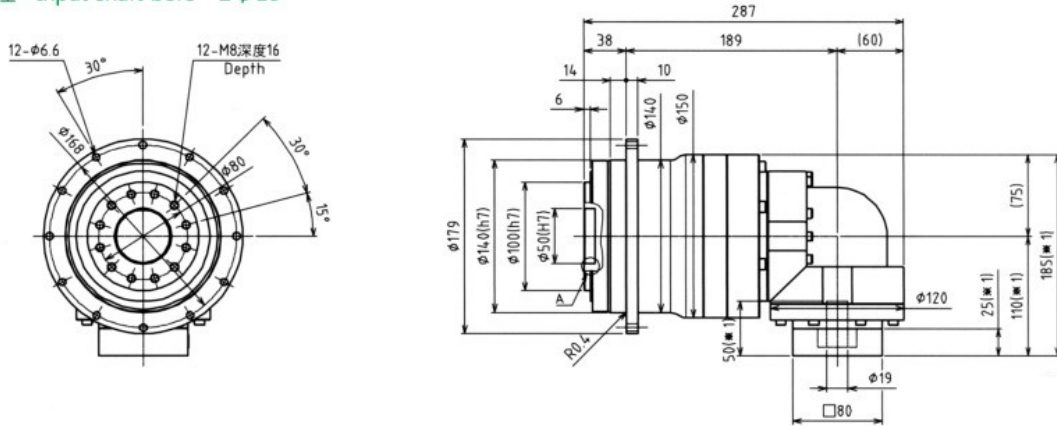


A部详细图
Enlarged detail A

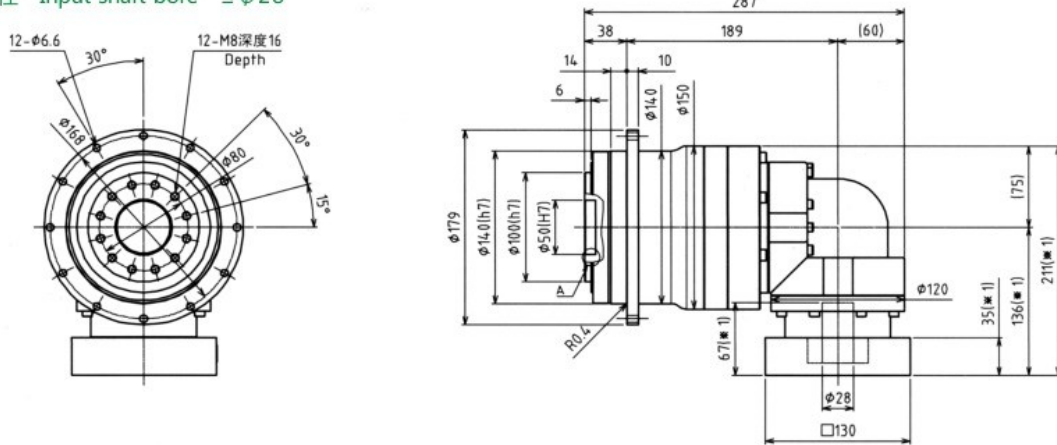
- ※ 1 随安装马达的不同而有所差异。
- ※ 2 马达轴径与输入轴径不同时，可插入轴套。
- ※ 1 Length will vary depending on motor.
- ※ 2 Bushing will be inserted to adapt to motor shaft.

EPET-140 2段 2stage

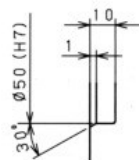
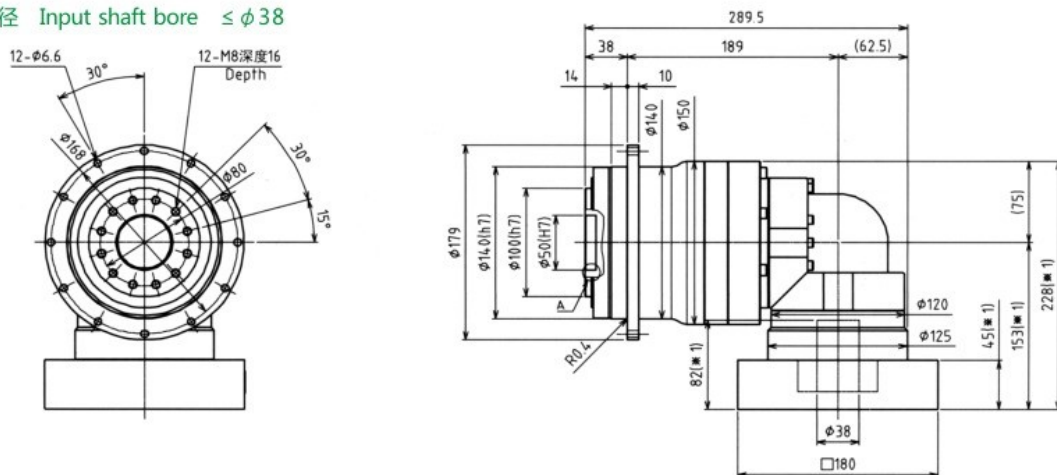
输入轴内径 Input shaft bore $\leq \phi 19$



输入轴内径 Input shaft bore $\leq \phi 28$



输入轴内径 Input shaft bore $\leq \phi 38$



A部详细图
Enlarged detail A

- ※ 1 随安装马达的不同而有所差异。
- ※ 2 马达轴径与输入轴径不同时，可插入轴套。
- ※ 1 Length will vary depending on motor.
- ※ 2 Bushing will be inserted to adapt to motor shaft.

尺寸 Frame size	段位 Stage	减速比 Ratio	※1	※2	※3	※4	※5	※6	※7
			容许 额定扭矩 Nominal output torque	容许 最大扭矩 Maximum output torque	紧急时 最大扭矩 Emergency stop torque	容许额定 输入转速 Nominal input speed	容许最高 输入转速 Maximum input speed	容许 径向负荷 Permitted radial load	容许 轴向负荷 Permitted axial load
			[Nm]	[Nm]	[Nm]	[rpm]	[rpm]	[N]	[N]
200	1段 Single	4	575	770	1700	1500	3000	18000	12000
		5	600	960	2000	1500	3000	19000	13000
		7	600	1120	2500	1500	3000	21000	14000
		10	400	775	2000	1500	3000	23000	16000
	2段 Double	16	555	1120	2500	1500	3000	27000	18000
		20	600	1120	2500	1500	3000	28000	19000
		25	600	1120	2500	1500	3000	30000	21000
		28	600	1120	2500	1500	3000	31000	21000
		35	600	1120	2500	1500	3000	34000	23000
		40	600	1120	2500	1500	3000	35000	24000
		50	600	1120	2500	1500	3000	37000	25000
		70	600	1120	2500	1500	3000	40000	28000
		100	400	775	2000	1500	3000	40000	30000

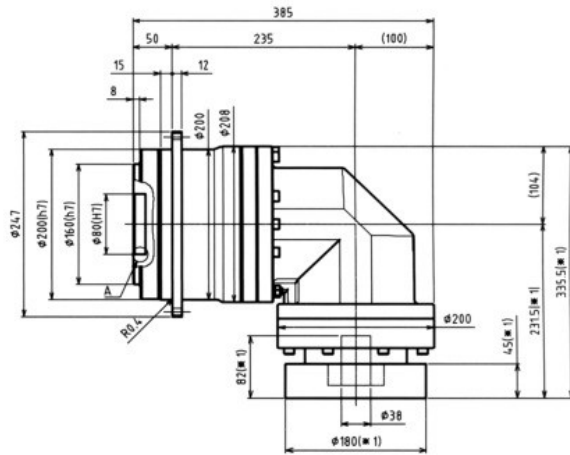
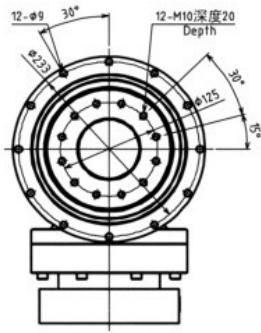
尺寸 Frame size	段位 Stage	减速比 Ratio	※8	※9	※10	惯性力矩 Moment of inertia (≤ φ28)	惯性力矩 Moment of inertia (≤ φ38)	惯性力矩 Moment of inertia (≤ φ48)	惯性力矩 Moment of inertia (≤ φ65)
			容许最大 径向负荷 Maximum radial load	容许最大 轴向负荷 Maximum axial load	重量 Weight	[kgcm ²]	[kgcm ²]	[kgcm ²]	[kgcm ²]
			[N]	[N]	[kg]	[kgcm ²]	[kgcm ²]	[kgcm ²]	[kgcm ²]
200	1段 Single	4	40000	30000	50	-	93.44	138.1	223.7
		5	40000	30000		-	81.86	123.3	208.9
		7	40000	30000		-	71.47	109.6	195.2
		10	40000	30000		-	66.72	103.4	189.0
	2段 Double	16	40000	30000	37	13.42	22.20	27.02	-
		20	40000	30000		11.92	20.71	25.53	-
		25	40000	30000		11.38	20.17	24.99	-
		28	40000	30000		11.82	20.61	25.43	-
		35	40000	30000		10.9	19.69	24.51	-
		40	40000	30000		10.5	19.26	24.08	-
		50	40000	30000		10.3	19.13	23.95	-
		70	40000	30000		10.2	19.01	23.83	-
		100	40000	30000		10.2	18.94	23.77	-

- ※ 1 输入转速为额定转速时，使用寿命为20000小时的值
- ※ 2 启动、停止时容许的最大值
- ※ 3 发生撞击时容许的最大值（频率最高为1000次）
- ※ 4 运转过程中，额定输入转速的容许最大值
- ※ 5 在非连续运转条件下容许的最高输入转速
- ※ 6 输入转速为额定转速时，使用寿命为20000小时的值（作用于轴中央，轴向负荷为0时）
- ※ 7 输入转速为额定转速时，使用寿命为20000小时的值（作用于轴芯，径向负荷为0时）
- ※ 8 径向负荷的容许最大值
- ※ 9 轴向负荷的容许最大值
- ※10 因减速比和输入轴尺寸的不同而有所不同。

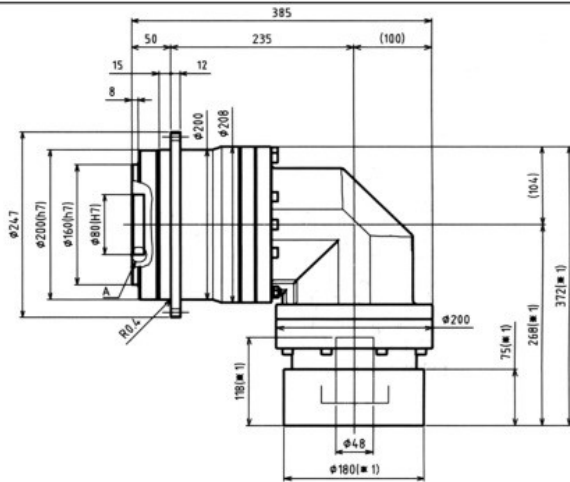
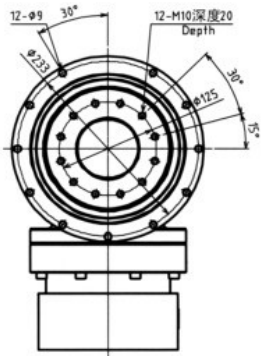
- ※ 1 With nominal input speed, service life is 20,000 hours.
- ※ 2 The maximum torque when starting and stopping.
- ※ 3 The maximum torque when it receives shock (up to 1,000 times)
- ※ 4 The maximum average input speed.
- ※ 5 The maximum momentary input speed.
- ※ 6 With this load and nominal input speed, service life will be 20,000 hours (Applied to the output shaft center, at axial load 0)
- ※ 7 With this load and nominal input speed, service life will be 20,000 hours (Applied to the output side bearing, at radial load 0)
- ※ 8 The maximum radial load the reducer can accept.
- ※ 9 The maximum axial load the reducer can accept.
- ※ 10 The weight may vary slightly model to model.

EPET-200 1段 1stage

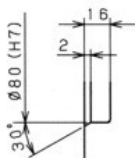
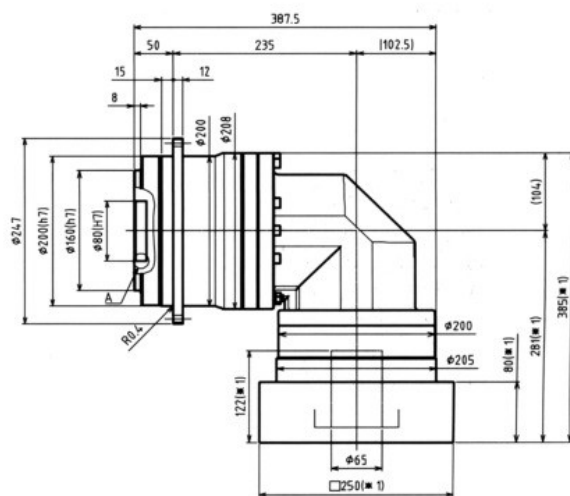
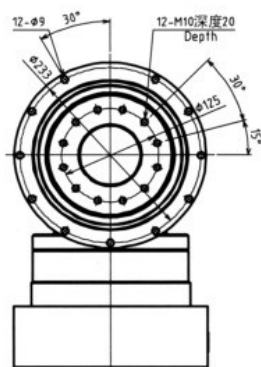
输入轴内径 Input shaft bore $\leq \phi 38$



输入轴内径 Input shaft bore $\leq \phi 48$



输入轴内径 Input shaft bore $\leq \phi 65$

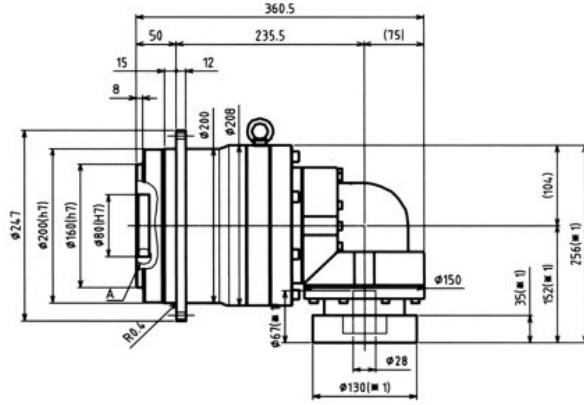
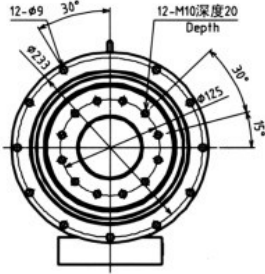


A部详细图
Enlarged detail A

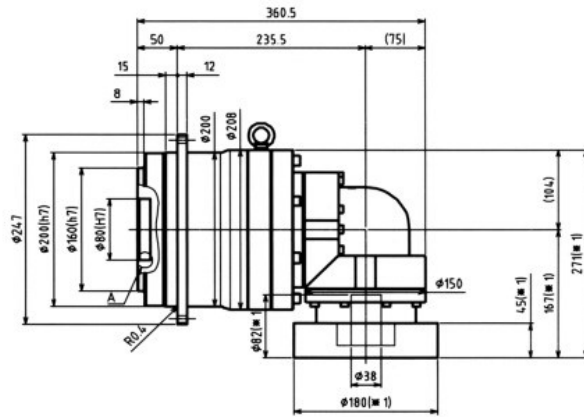
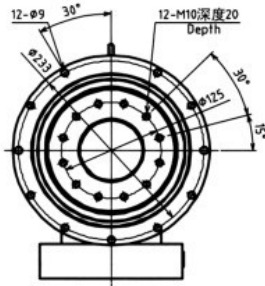
- ※ 1 随安装马达的不同而有所差异。
- ※ 2 马达轴径与输入轴径不同时，可插入轴套。
- ※ 1 Length will vary depending on motor.
- ※ 2 Bushing will be inserted to adapt to motor shaft.

EPET-200 2段 2stage

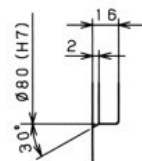
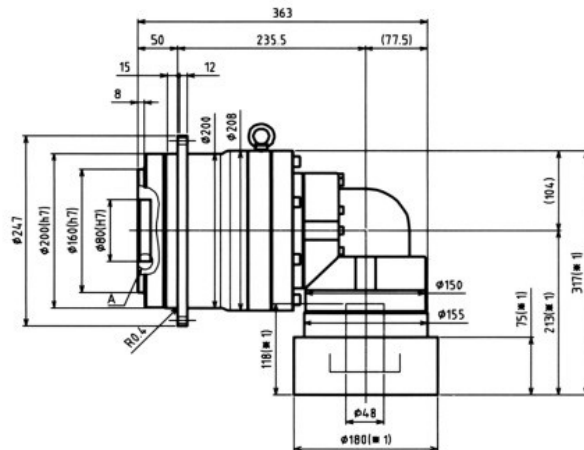
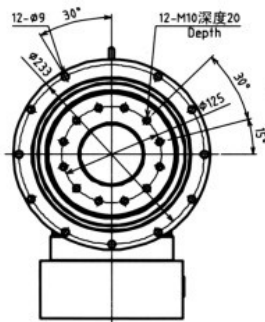
输入轴内径 Input shaft bore $\leq \phi 28$



输入轴内径 Input shaft bore $\leq \phi 38$



输入轴内径 Input shaft bore $\leq \phi 48$



A部详细图
Enlarged detail A

- ※ 1 随安装马达的不同而有所差异。
- ※ 2 马达轴径与输入轴径不同时，可插入轴套。
- ※ 1 Length will vary depending on motor.
- ※ 2 Bushing will be inserted to adapt to motor shaft.

尺寸 Frame size	段位 Stage	减速比 Ratio	※1	※2	※3	※4	※5	※6	※7
			容许 额定扭矩 Nominal output torque	容许 最大扭矩 Maximum output torque	紧急时 最大扭矩 Emergency stop torque	容许额定 输入转速 Nominal input speed	容许最高 输入转速 Maximum input speed	容许 径向负荷 Permitted radial load	容许 轴向负荷 Permitted axial load
			[Nm]	[Nm]	[Nm]	[rpm]	[rpm]	[N]	[N]
255	1段 Single	4	1340	2960	5400	1000	2000	31000	22000
		5	1680	2960	6500	1000	2000	33000	24000
		7	1920	2960	7200	1000	2000	36000	26000
		10	1280	2080	5400	1000	2000	40000	29000
	2段 Double	16	1920	2960	7200	1000	2000	46000	34000
		20	1920	2960	7200	1000	2000	49000	36000
		25	1920	2960	7200	1000	2000	53000	38000
		28	1920	2960	7200	1000	2000	55000	40000
		35	1920	2960	7200	1000	2000	59000	42000
		40	1920	2960	7200	1000	2000	61000	44000
		50	1920	2960	7200	1000	2000	64000	47000
		70	1920	2960	7200	1000	2000	64000	48000
		100	1280	1440	5400	1000	2000	64000	48000

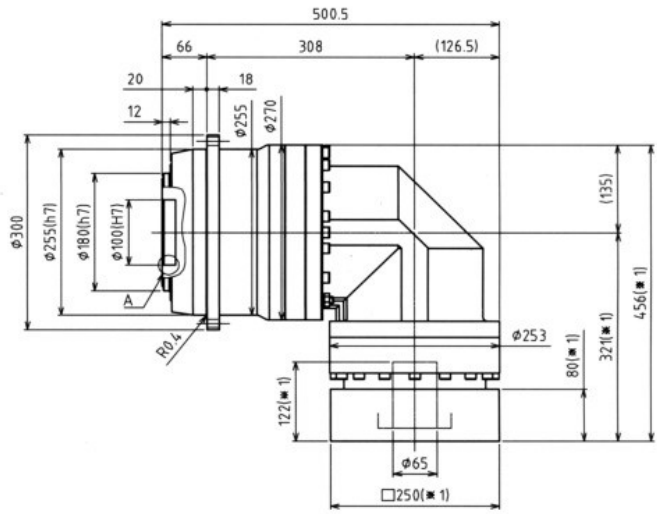
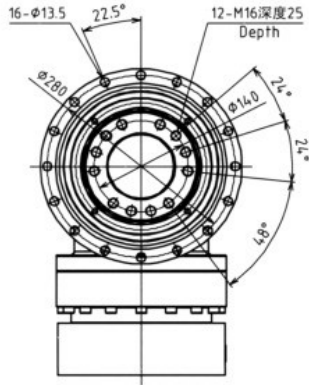
尺寸 Frame size	段位 Stage	减速比 Ratio	※8	※9	※10	惯性力矩 Moment of inertia (≤ φ48)	惯性力矩 Moment of inertia (≤ φ65)
			容许最大 径向负荷 Maximum radial load	容许最大 轴向负荷 Maximum axial load	重量 Weight		
			[N]	[N]	[kg]		
255	1段 Single	4	64000	48000	110	-	661.8
		5	64000	48000		-	619.8
		7	64000	48000		-	587.7
		10	64000	48000		-	572.0
	2段 Double	16	64000	48000	99	118.52	-
		20	64000	48000		114.63	-
		25	64000	48000		113.37	-
		28	64000	48000		114.80	-
		35	64000	48000		112.25	-
		40	64000	48000		109.37	-
		50	64000	48000		109.05	-
		70	64000	48000		108.77	-
		100	64000	48000		108.62	-

- ※ 1 输入转速为额定转速时，使用寿命为20000小时的值
- ※ 2 启动、停止时容许的最大值
- ※ 3 发生撞击时容许的最大值（频率最高为1000次）
- ※ 4 运转过程中，额定输入转速的容许最大值
- ※ 5 在非连续运转条件下容许的最高输入转速
- ※ 6 输入转速为额定转速时，使用寿命为20000小时的值（作用于轴中央，轴向负荷为0时）
- ※ 7 输入转速为额定转速时，使用寿命为20000小时的值（作用于轴芯，径向负荷为0时）
- ※ 8 径向负荷的容许最大值
- ※ 9 轴向负荷的容许最大值
- ※ 10 因减速比和输入轴尺寸的不同而有所不同。

- ※ 1 With nominal input speed, service life is 20,000 hours.
- ※ 2 The maximum torque when starting and stopping.
- ※ 3 The maximum torque when it receives shock (up to 1,000 times)
- ※ 4 The maximum average input speed.
- ※ 5 The maximum momentary input speed.
- ※ 6 With this load and nominal input speed, service life will be 20,000 hours (Applied to the output shaft center, at axial load 0)
- ※ 7 With this load and nominal input speed, service life will be 20,000 hours (Applied to the output side bearing, at radial load 0)
- ※ 8 The maximum radial load the reducer can accept.
- ※ 9 The maximum axial load the reducer can accept.
- ※ 10 The weight may vary slightly model to model.

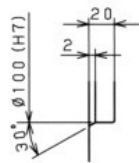
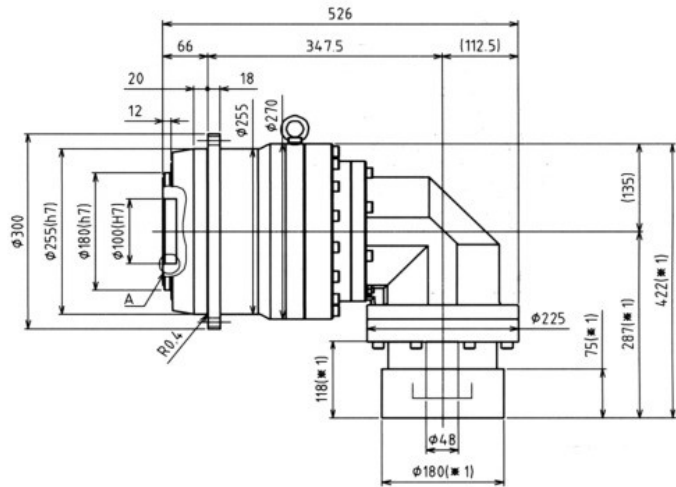
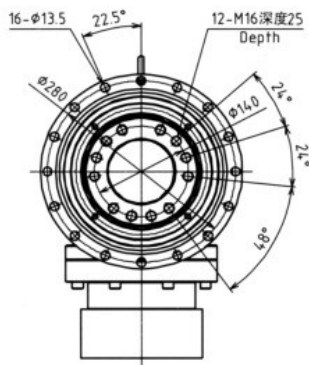
EPET-255 1段 1stage

输入轴内径 Input shaft bore $\leq \phi 65$



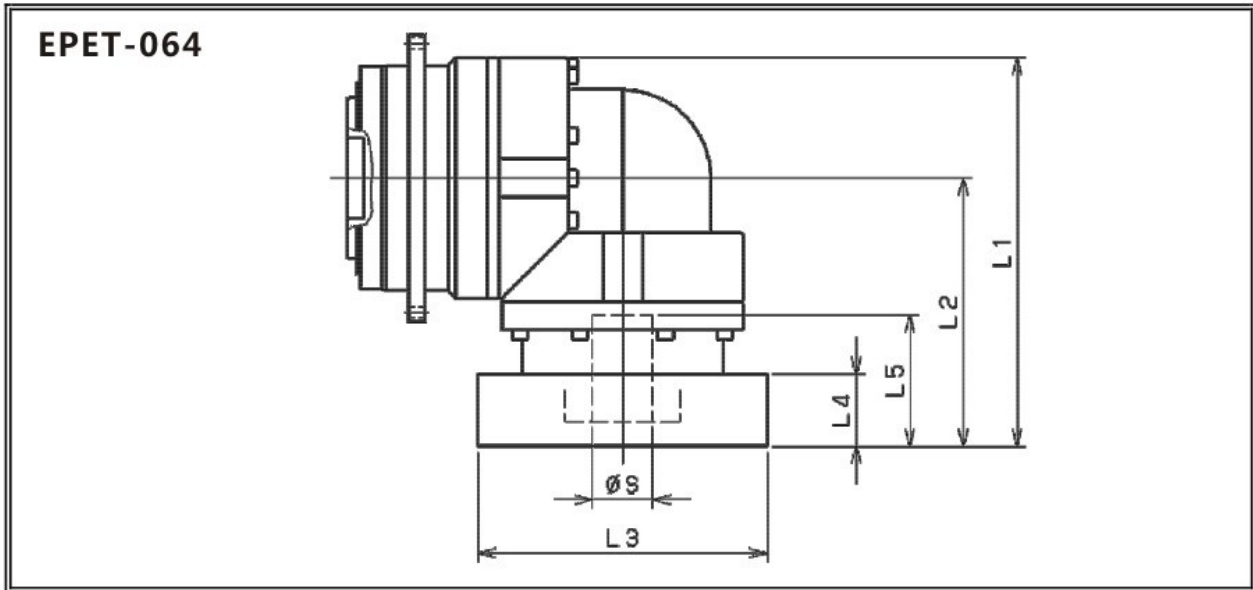
EPET-255 2段 2stage

输入轴内径 Input shaft bore $\leq \phi 48$



A部详细图
Enlarged detail A

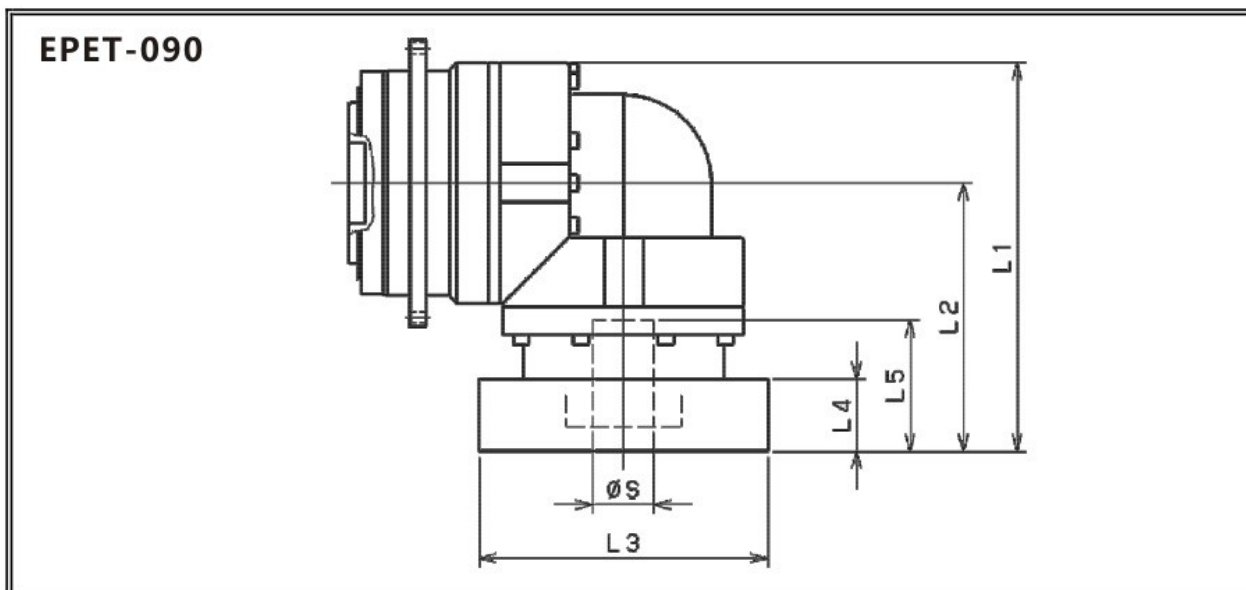
- ※ 1 随安装马达的不同而有所差异。
- ※ 2 马达轴径与输入轴径不同时，可插入轴套。
- ※ 1 Length will vary depending on motor.
- ※ 2 Bushing will be inserted to adapt to motor shaft.



型号 Model number	**: 输入法兰编号 **: Input flange code	1段 Single					2段 2stage				
		L1	L2	L3	L4	L5	L1	L2	L3	L4	L5
EPET-064-□-□-8** (S ≤ 8)	AA·AC·AD·AF·AG	103	71.5	□52	15.5	32	94.5	64.5	□52	15.5	32
	AB·AE·AH·AJ·AK	108	76.5	□52	20.5	37	99.5	69.5	□52	20.5	37
	BA·BB·BD·BE	103	71.5	□60	15.5	32	94.5	64.5	□60	15.5	32
	BC·BF	108	76.5	□60	20.5	37	99.5	69.5	□60	20.5	37
	CA	108	76.5	□70	20.5	37	99.5	69.5	□70	20.5	37
EPET-064-□-□-14** (8 < S ≤ 14)	BA·BB·BD·BE·BF·BG·BJ·BK	109	77.5	□65	16.5	35	98.5	68.5	□65	16.5	35
	BC·BH	114	82.5	□65	21.5	40	103.5	73.5	□65	21.5	40
	BL	119	87.5	□65	26.5	45	108.5	78.5	□65	26.5	45
	CA	109	77.5	□70	16.5	35	98.5	68.5	□70	16.5	35
	CB	114	82.5	□70	21.5	40	103.5	73.5	□70	21.5	40
	DA·DB·DC·DD·DF·DH	109	77.5	□80	16.5	35	98.5	68.5	□80	16.5	35
	DE	114	82.5	□80	21.5	40	103.5	73.5	□80	21.5	40
	DG	119	87.5	□80	26.5	45	108.5	78.5	□80	26.5	45
	EA·EB·EC	109	77.5	□90	16.5	35	98.5	68.5	□90	16.5	35
	ED	119	87.5	□90	26.5	45	108.5	78.5	□90	26.5	45
	FA	109	77.5	□100	16.5	35	98.5	68.5	□100	16.5	35
	GA	109	77.5	□115	16.5	35	98.5	68.5	□115	16.5	35
	EPET-064-□-□-19** (14 < S ≤ 19)	DA·DB·DC	126	94.5	□80	25	50	/	/	/	/
DD		136	104.5	□80	35	60	/	/	/	/	/
DE		131	99.5	□80	30	55	/	/	/	/	/
EA		131	99.5	□90	30	55	/	/	/	/	/
EB		126	94.5	□90	25	50	/	/	/	/	/
EC		136	104.5	□90	35	60	/	/	/	/	/
FA		126	94.5	□100	25	50	/	/	/	/	/
FB		136	104.5	□100	35	60	/	/	/	/	/
GA·GC		131	99.5	□115	30	55	/	/	/	/	/
GB·GD		126	94.5	□115	25	50	/	/	/	/	/
HA		126	94.5	□130	25	50	/	/	/	/	/
HB		141	109.5	□130	40	65	/	/	/	/	/
HC·HD·HE		131	99.5	□130	30	55	/	/	/	/	/

※ 1 1段减速: 1/4~1/10; 2段减速: 1/16~1/100
 ※ 2 马达轴径与输入轴径不同时, 可插入轴套。

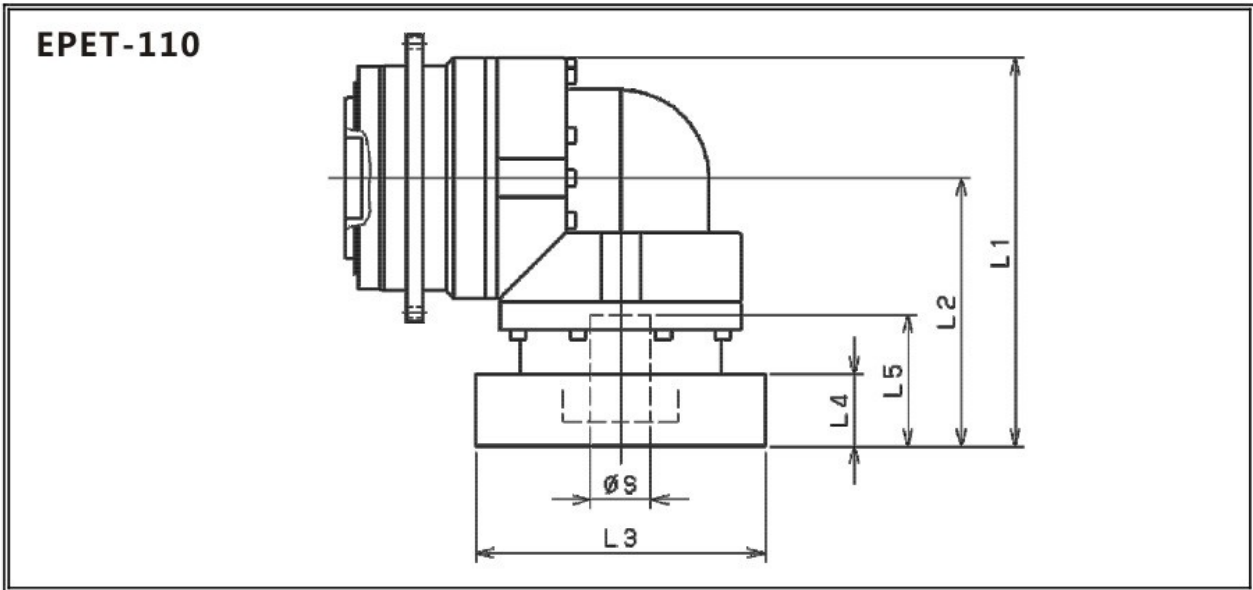
※ 1 Double reduction: 1/4~1/10, Triple reduction: 1/16~1/100
 ※ 2 Bushing will be inserted to adapt to motor shaft.



型号 Model number	** : 输入法兰编号 ** : Input flange code	1段 Single					2段 2stage				
		L1	L2	L3	L4	L5	L1	L2	L3	L4	L5
EPET-090-□-□-8** (S ≤ 8)	AA·AC·AD·AF·AG	/	/	/	/	/	116	71.5	□52	15.5	32
	AB·AE·AH·AJ·AK	/	/	/	/	/	121	76.5	□52	20.5	37
	BA·BB·BD·BE	/	/	/	/	/	116	71.5	□60	15.5	32
	BC·BF	/	/	/	/	/	121	76.5	□60	20.5	37
	CA	/	/	/	/	/	121	76.5	□70	20.5	37
EPET-090-□-□-14** (8 < S ≤ 14)	BA·BB·BD·BE·BF·BG·BJ·BK	137.5	92	□65	16.5	35	122	77.5	□65	16.5	35
	BC·BH	142.5	97	□65	21.5	40	127	82.5	□65	21.5	40
	BL	147.5	102	□65	26.5	45	132	87.5	□65	26.5	45
	CA	137.5	92	□70	16.5	35	122	77.5	□70	16.5	35
	CB	142.5	97	□70	21.5	40	127	82.5	□70	21.5	40
	DA·DB·DC·DD·DF·DH	137.5	92	□80	16.5	35	122	77.5	□80	16.5	35
	DE	142.5	97	□80	21.5	40	127	82.5	□80	21.5	40
	DG	147.5	102	□80	26.5	45	132	87.5	□80	26.5	45
	EA·EB·EC	137.5	92	□90	16.5	35	122	77.5	□90	16.5	35
	ED	147.5	102	□90	26.5	45	132	87.5	□90	26.5	45
	FA	137.5	92	□100	16.5	35	122	77.5	□100	16.5	35
GA	137.5	92	□115	16.5	35	122	77.5	□115	16.5	35	
EPET-090-□-□-19** (14 < S ≤ 19)	DA·DB·DC	145.5	100	□80	25	50	139	94.5	□80	25	50
	DD	155.5	110	□80	35	60	149	104.5	□80	35	60
	DE	150.5	105	□80	30	55	144	99.5	□80	30	55
	EA	150.5	105	□90	30	55	144	99.5	□90	30	55
	EB	145.5	100	□90	25	50	139	94.5	□90	25	50
	EC	155.5	110	□90	35	60	149	104.5	□90	35	60
	FA	145.5	100	□100	25	50	139	94.5	□100	25	50
	FB	155.5	110	□100	35	60	149	104.5	□100	35	60
	GA·GC	150.5	105	□115	30	55	144	99.5	□115	30	55
	GB·GD	145.5	100	□115	25	50	139	94.5	□115	25	50
	HA	145.5	100	□130	25	50	139	94.5	□130	25	50
HB	160.5	115	□130	40	65	154	109.5	□130	40	65	
HC·HD·HE	150.5	105	□130	30	55	144	99.5	□130	30	55	
EPET-090-□-□-28** (19 < S ≤ 28)	FA·FB·FC	174.5	129	□100	35	67	/	/	/	/	/
	GA·GB·GC·GD·GE·GF·GG	174.5	129	□115	35	67	/	/	/	/	/
	HA·HC·HD	174.5	129	□130	35	67	/	/	/	/	/
	HB	184.5	139	□130	45	77	/	/	/	/	/
	JA·JB·JC	174.5	129	□150	35	67	/	/	/	/	/
	KA·KB	174.5	129	□180	35	67	/	/	/	/	/
	LA	174.5	129	□200	35	67	/	/	/	/	/
MA	174.5	129	□220	35	67	/	/	/	/	/	

※ 1 1段减速 : 1/4~1/10; 2段减速 : 1/16~1/100
 ※ 2 马达轴径与输入轴径不同时, 可插入轴套。

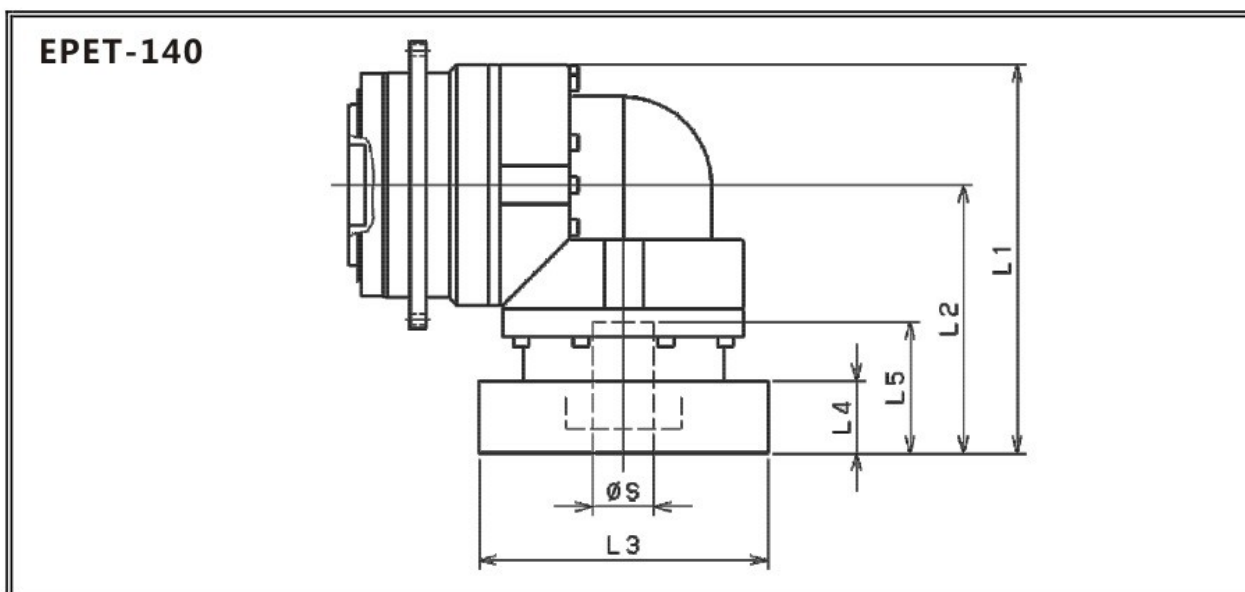
※ 1 Double reduction: 1/4~1/10, Triple reduction: 1/16~1/100
 ※ 2 Bushing will be inserted to adapt to motor shaft.



型号 Model number	**: 输入法兰编号 **: Input flange code	1段 Single					2段 Double					
		L1	L2	L3	L4	L5	L1	L2	L3	L4	L5	
EPET-110-□-□-14** (S ≤ 14)	BA·BB·BD·BE·BF·BG·BJ·BK	/	/	/	/	/	152	92	□65	16.5	35	
	BC·BH	/	/	/	/	/	157	97	□65	21.5	40	
	BL	/	/	/	/	/	162	102	□65	26.5	45	
	CA	/	/	/	/	/	152	92	□70	16.5	35	
	CB	/	/	/	/	/	157	97	□70	21.5	40	
	DA·DB·DC·DD·DF·DH	/	/	/	/	/	152	92	□80	16.5	35	
	DE	/	/	/	/	/	157	97	□80	21.5	40	
	DG	/	/	/	/	/	162	102	□80	26.5	45	
	EA·EB·EC	/	/	/	/	/	152	92	□90	16.5	35	
	ED	/	/	/	/	/	162	102	□90	26.5	45	
	FA	/	/	/	/	/	152	92	□100	16.5	35	
	GA	/	/	/	/	/	152	92	□115	16.5	35	
	EPET-110-□-□-19** (14 < S ≤ 19)	DA·DB·DC	170	110	□80	25	50	160	100	□80	25	50
		DD	180	120	□80	35	60	170	110	□80	35	60
DE		175	115	□80	30	55	165	105	□80	30	55	
EA		175	115	□90	30	55	165	105	□90	30	55	
EB		170	110	□90	25	50	160	100	□90	25	50	
EC		180	120	□90	35	60	170	110	□90	35	60	
FA		170	110	□100	25	50	160	100	□100	25	50	
FB		180	120	□100	35	60	170	110	□100	35	60	
GA·GC		175	115	□115	30	55	165	105	□115	30	55	
GB·GD		170	110	□115	25	50	160	100	□115	25	50	
HA		170	110	□130	25	50	160	100	□130	25	50	
HB		185	125	□130	40	65	175	115	□130	40	65	
HC·HD·HE		175	115	□130	30	55	165	105	□130	30	55	
EPET-110-□-□-28** (19 < S ≤ 28)		FA·FB·FC	196	136	□100	35	67	189	129	□100	35	67
	GA·GB·GC·GD·GE·GF·GG	196	136	□115	35	67	189	129	□115	35	67	
	HA·HC·HD	196	136	□130	35	67	189	129	□130	35	67	
	HB	206	146	□130	45	77	199	139	□130	45	77	
	JA·JB·JC	196	136	□150	35	67	189	129	□150	35	67	
	KA·KB	196	136	□180	35	67	189	129	□180	35	67	
	LA	196	136	□200	35	67	189	129	□200	35	67	
	MA	196	136	□220	35	67	189	129	□220	35	67	
EPET-110-□-□-38** (28 < S ≤ 38)	HA	213	153	□130	45	82	/	/	/	/	/	
	HB	208	148	□130	40	77	/	/	/	/	/	
	JA	213	153	□150	45	82	/	/	/	/	/	
	KA·KB·KC	213	153	□180	45	82	/	/	/	/	/	
	LA	213	153	□200	45	82	/	/	/	/	/	
	LB	223	163	□200	55	92	/	/	/	/	/	
	MA·MB	213	153	□220	45	82	/	/	/	/	/	
NA	213	153	□250	45	82	/	/	/	/	/		

※ 1 1段减速: 1/4~1/10; 2段减速: 1/16~1/100
 ※ 2 马达轴径与输入轴径不同时, 可插入轴套。

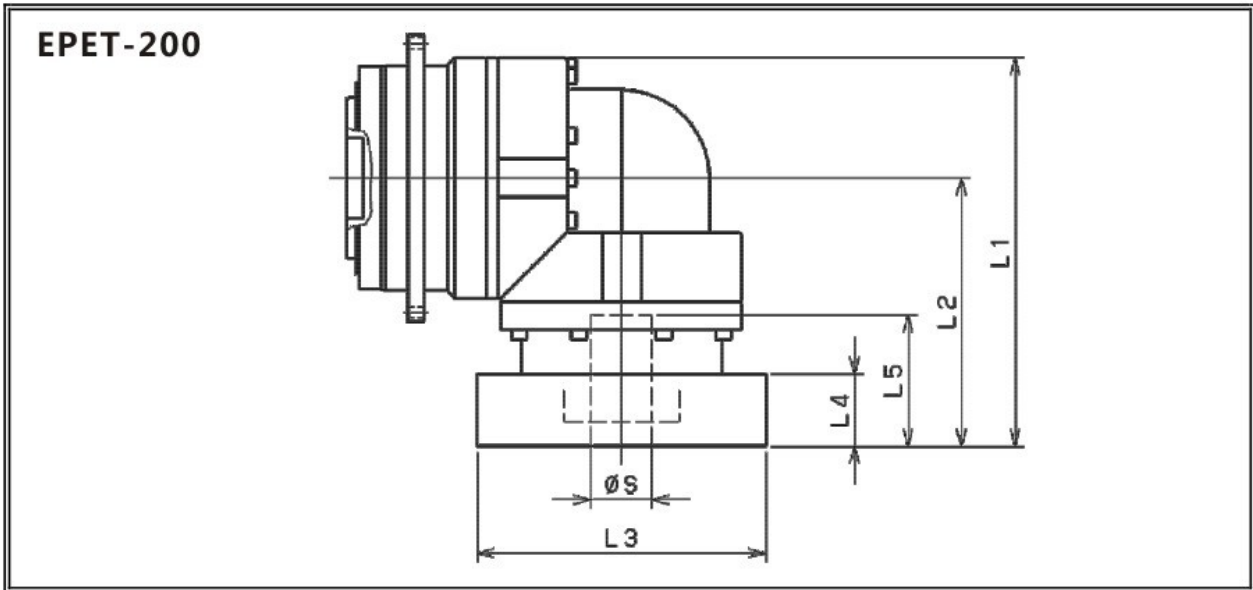
※ 1 Double reduction: 1/4~1/10, Triple reduction: 1/16~1/100
 ※ 2 Bushing will be inserted to adapt to motor shaft.



型号 Model number	**: 输入法兰编号 ** : Input flange code	1段 Single					2段 Double				
		L1	L2	L3	L4	L5	L1	L2	L3	L4	L5
EPET-140-□-□-19** (S ≤ 19)	DA·DB·DC	/	/	/	/	/	185	110	□80	25	50
	DD	/	/	/	/	/	195	120	□80	35	60
	DE	/	/	/	/	/	190	115	□80	30	55
	EA	/	/	/	/	/	190	115	□90	30	55
	EB	/	/	/	/	/	185	110	□90	25	50
	EC	/	/	/	/	/	195	120	□90	35	60
	FA	/	/	/	/	/	185	110	□100	25	50
	FB	/	/	/	/	/	195	120	□100	35	60
	GA·GC	/	/	/	/	/	190	115	□115	30	55
	GB·GD	/	/	/	/	/	185	110	□115	25	50
	HA	/	/	/	/	/	185	110	□130	25	50
	HB	/	/	/	/	/	200	125	□130	40	65
HC·HD·HE	/	/	/	/	/	190	115	□130	30	55	
EPET-140-□-□-28** (19 < S ≤ 28)	FA·FB·FC	227	152	□100	35	67	211	136	□100	35	67
	GA·GB·GC·GD·GE·GF·GG	227	152	□115	35	67	211	136	□115	35	67
	HA·HC·HD	227	152	□130	35	67	211	136	□130	35	67
	HB	237	162	□130	45	77	221	146	□130	45	77
	JA·JB·JC	227	152	□150	35	67	211	136	□150	35	67
	KA·KB	227	152	□180	35	67	211	136	□180	35	67
	LA	227	152	□200	35	67	211	136	□200	35	67
	MA	227	152	□220	35	67	211	136	□220	35	67
EPET-140-□-□-38** (28 < S ≤ 38)	HA	242	167	□130	45	82	228	153	□130	45	82
	HB	237	162	□130	40	77	223	148	□130	40	77
	JA	242	167	□150	45	82	228	153	□150	45	82
	KA·KB·KC	242	167	□180	45	82	228	153	□180	45	82
	LA	242	167	□200	45	82	228	153	□200	45	82
	LB	252	177	□200	55	92	238	163	□200	55	92
	MA·MB	242	167	□220	45	82	228	153	□220	45	82
NA	242	167	□250	45	82	228	153	□250	45	82	
EPET-140-□-□-48** (38 < S ≤ 48)	KB·KC	268	193	□180	55	98	/	/	/	/	/
	KA	288	213	□180	75	118	/	/	/	/	/
	LA	268	193	□200	55	98	/	/	/	/	/
	MA	268	193	□220	55	98	/	/	/	/	/
	MB	288	213	□220	75	118	/	/	/	/	/
	NA	288	213	□250	75	118	/	/	/	/	/
PA	288	213	□280	75	118	/	/	/	/	/	

※ 1 1段减速: 1/4~1/10; 2段减速: 1/16~1/100
 ※ 2 马达轴径与输入轴径不同时, 可插入轴套。

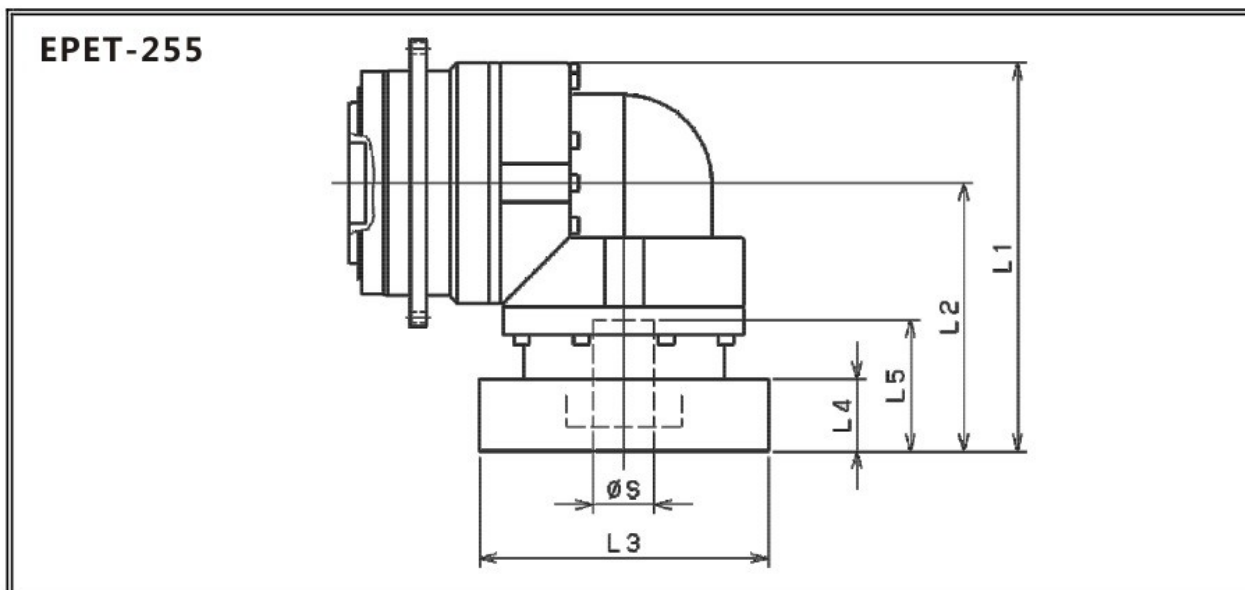
※ 1 Double reduction: 1/4~1/10, Triple reduction: 1/16~1/100
 ※ 2 Bushing will be inserted to adapt to motor shaft.



型号 Model number	** : 输入法兰编号 ** : Input flange code	1段 Single					2段 Double				
		L1	L2	L3	L4	L5	L1	L2	L3	L4	L5
EPET-200-□-□-28** (S ≤ 28)	FA·FB·FC	/	/	/	/	/	256	152	□100	35	67
	GA·GB·GC·GD·GE·GF·GG	/	/	/	/	/	256	152	□115	35	67
	HA·HC·HD	/	/	/	/	/	256	152	□130	35	67
	HB	/	/	/	/	/	266	162	□130	45	77
	JA·JB·JC	/	/	/	/	/	256	152	□150	35	67
	KA·KB	/	/	/	/	/	256	152	□180	35	67
	KD	/	/	/	/	/	266	162	□180	45	77
	LA	/	/	/	/	/	256	152	□200	35	67
	MA	/	/	/	/	/	256	152	□220	35	67
EPET-200-□-□-38** (28 < S ≤ 38)	HA	335.5	231.5	□130	45	82	271	167	□130	45	82
	HB	330.5	226.5	□130	40	77	266	162	□130	40	77
	JA	335.5	231.5	□150	45	82	271	167	□150	45	82
	KA·KB·KC	335.5	231.5	□180	45	82	271	167	□180	45	82
	LA	335.5	231.5	□200	45	82	271	167	□200	45	82
	LB	345.5	241.5	□200	55	92	281	177	□200	55	92
	MA·MB	335.5	231.5	□220	45	82	271	167	□220	45	82
	NA	335.5	231.5	□250	45	82	271	167	□250	45	82
EPET-200-□-□-48** (38 < S ≤ 48)	KB·KC	352	248	□180	55	98	297	193	□180	55	98
	KA	372	268	□180	75	118	317	213	□180	75	118
	LA	352	248	□200	55	98	297	193	□200	55	98
	MA	352	248	□220	55	98	297	193	□220	55	98
	MB	372	268	□220	75	118	317	213	□220	75	118
	NA	372	268	□250	75	118	317	213	□250	75	118
	PA	372	268	□280	75	118	317	213	□280	75	118
EPET-200-□-□-65** (48 < S ≤ 65)	MA·MB·MC·MD	385	281	□220	80	122	/	/	/	/	/
	NA	385	281	□250	80	122	/	/	/	/	/
	PA	405	301	□280	100	142	/	/	/	/	/
	PB	415	311	□280	110	152	/	/	/	/	/
	QA	405	301	□320	100	142	/	/	/	/	/

※ 1 1段减速: 1/4~1/10; 2段减速: 1/16~1/100
 ※ 2 马达轴径与输入轴径不同时, 可插入轴套。

※ 1 Double reduction: 1/4~1/10, Triple reduction: 1/16~1/100
 ※ 2 Bushing will be inserted to adapt to motor shaft.



型号 Model number	** : 输入法兰编号 ** : Input flange code	1段 Single					2段 Double				
		L1	L2	L3	L4	L5	L1	L2	L3	L4	L5
EPET-255-□-□-48** (S ≤ 48)	KB·KC	/	/	/	/	/	402	267	□180	55	98
	KA	/	/	/	/	/	422	287	□180	75	118
	LA	/	/	/	/	/	402	267	□200	55	98
	MA	/	/	/	/	/	402	267	□220	55	98
	MB	/	/	/	/	/	422	287	□220	75	118
	NA	/	/	/	/	/	422	287	□250	75	118
EPET-255-□-□-65** (48 < S ≤ 65)	PA	/	/	/	/	/	422	287	□280	75	118
	MA·MB·MC·MD	456	321	□220	80	122	/	/	/	/	/
	NA	456	321	□250	80	122	/	/	/	/	/
	PA	476	341	□280	100	142	/	/	/	/	/
	PB	486	351	□280	110	152	/	/	/	/	/
	QA	476	341	□320	100	142	/	/	/	/	/

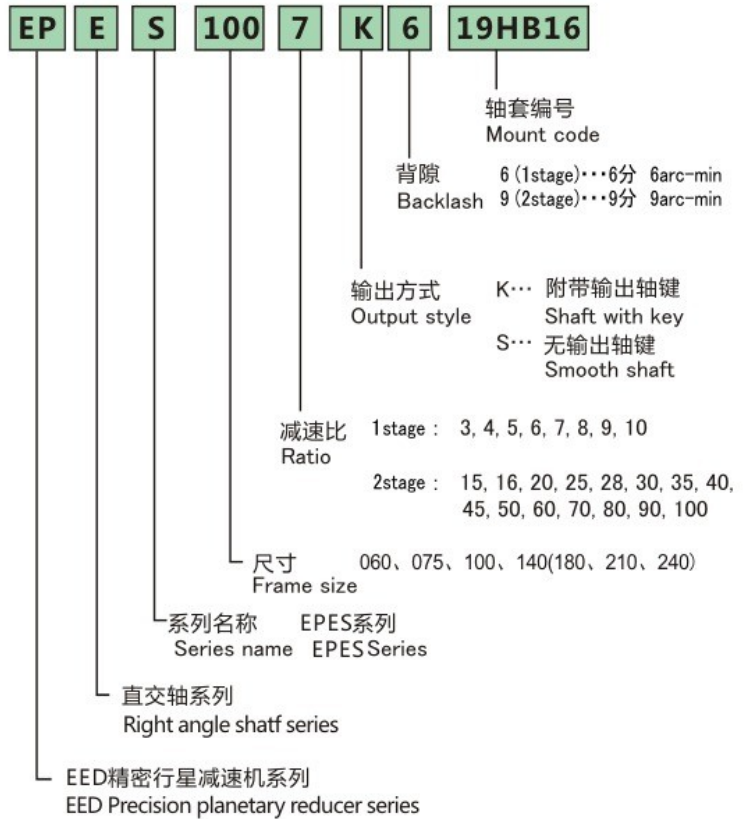
※ 1 1段减速 : 1/4~1/10; 2段减速 : 1/16~1/100
 ※ 2 马达轴径与输入轴径不同时, 可插入轴套。

※ 1 Double reduction: 1/4~1/10, Triple reduction: 1/16~1/100
 ※ 2 Bushing will be inserted to adapt to motor shaft.

13、EPES Series



型号说明 Model Mark



省空间

直交型减速机使用螺旋式伞齿轮，马达的安装可实现90度弯曲，节省了安装空间。

Space-saving

Right angled reducer using spiral bevel gear, customer can locate the motor at 90 degree away from the reducer if required to save space.

高刚性、高扭矩

使用整体式滚珠轴承，大大提高了刚性和扭矩。

High rigidity & torque

High rigidity & higt torque were achived by uncaged needle roller bearings.

连接器、轴套方式

可以安装到世界上任何一台马达上。

Adapter-bushing connection

Can be attached to any motor all over the world.

无润滑脂泄漏

使用高粘度、不易分离的润滑脂，有效防止润滑脂泄漏。

No grease leakage

Perfect solution using high viscosity anti-separation grease.

高负载容量

主轴承采用锥形滚针轴承，实现高负载容量。

High load capacity

Adopting taper roller bearing for the main output shaft to increase radial and axial load.

维护方便

在产品寿命期内无需更换润滑脂，安装更便捷。

Maintenance-free

No need to replace the grease for the life of the unit.
Can be attached in any position.

尺寸 Frame size	段位 Stage	减速比 Ratio	※1	※2	※3	※4	※5	※6	※7	
			容许 额定扭矩 Nominal output torque	容许 最大扭矩 Maximum output torque	紧急时 最大扭矩 Emergency stop torque	容许额定 输入转速 Nominal input speed	容许最高 输入转速 Maximum input speed	容许 径向负荷 Permitted radial load	容许 轴向负荷 Permitted axial load	
			[Nm]	[Nm]	[Nm]	[rpm]	[rpm]	[N]	[N]	
060	1段 Single	3	12	24	50	3000	6000	1700	2300	
		4	16	32	65	3000	6000	1900	2500	
		5	22	40	80	3000	6000	2000	2700	
		6	24	45	90	3000	6000	2100	2700	
		7	24	45	90	3000	6000	2200	2700	
		8	24	45	90	3000	6000	2300	2700	
		9	16	32	65	3000	6000	2400	2700	
		10	16	32	65	3000	6000	2400	2700	
		2段 Double	15	16	32	65	3000	6000	2800	2700
			16	24	45	90	3000	6000	2800	2700
	20		24	45	90	3000	6000	3000	2700	
	25		24	45	90	3000	6000	3000	2700	
	28		24	45	90	3000	6000	3000	2700	
	30		16	32	65	3000	6000	3000	2700	
	35		24	45	90	3000	6000	3000	2700	
	40		24	45	90	3000	6000	3000	2700	
	45		16	32	65	3000	6000	3000	2700	
	50		24	45	90	3000	6000	3000	2700	
	60	24	45	90	3000	6000	3000	2700		
	70	24	45	90	3000	6000	3000	2700		
80	24	45	90	3000	6000	3000	2700			
90	16	32	65	3000	6000	3000	2700			
100	16	32	65	3000	6000	3000	2700			

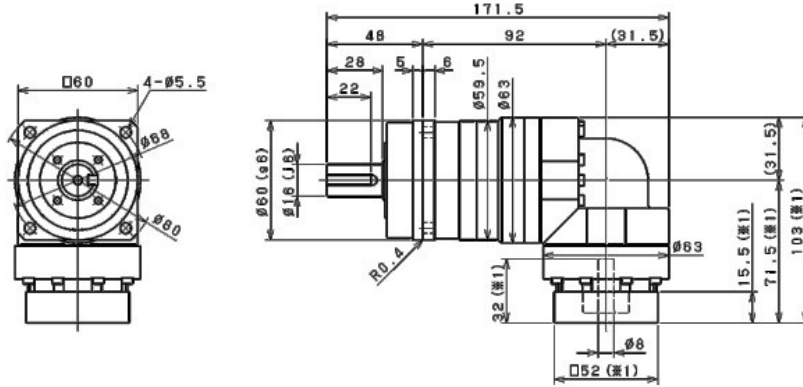
尺寸 Frame size	段位 Stage	减速比 Ratio	※8	※9	※10	惯性力矩 Moment of inertia (≤φ8) [kgcm ²]	惯性力矩 Moment of inertia (≤φ14) [kgcm ²]	惯性力矩 Moment of inertia (≤φ19) [kgcm ²]	
			容许最大 径向负荷 Maximum radial load	容许最大 轴向负荷 Maximum axial load	重量 Weight				
			[N]	[N]	[kg]				
060	1段 Single	3	3000	2700	2.0	0.320	0.395	0.584	
		4	3000	2700		0.271	0.346	0.535	
		5	3000	2700		0.251	0.326	0.516	
		6	3000	2700		0.242	0.317	0.506	
		7	3000	2700		0.235	0.310	0.500	
		8	3000	2700		0.232	0.307	0.496	
		9	3000	2700		0.229	0.304	0.494	
		10	3000	2700		0.228	0.303	0.492	
		2段 Double	15	3000		2700	0.074	0.118	-
			16	3000		2700	0.079	0.124	-
	20		3000	2700	0.072	0.116	-		
	25		3000	2700	0.071	0.115	-		
	28		3000	2700	0.077	0.122	-		
	30		3000	2700	0.062	0.106	-		
	35		3000	2700	0.070	0.115	-		
	40		3000	2700	0.061	0.106	-		
	45		3000	2700	0.070	0.115	-		
	50		3000	2700	0.061	0.106	-		
	60	3000	2700	0.061	0.106	-			
	70	3000	2700	0.061	0.106	-			
80	3000	2700	0.061	0.105	-				
90	3000	2700	0.061	0.105	-				
100	3000	2700	0.061	0.105	-				

- ※ 1 输入转速为额定转速时，使用寿命为20000小时的值
- ※ 2 启动、停止时容许的最大值
- ※ 3 发生撞击时容许的最大值（频率最高为1000次）
- ※ 4 运转过程中，额定输入转速的容许最大值
- ※ 5 在非连续运转条件下容许的最高输入转速
- ※ 6 输入转速为额定转速时，使用寿命为20000小时的值（作用于轴中央，轴向负荷为0时）
- ※ 7 输入转速为额定转速时，使用寿命为20000小时的值（作用于轴芯，径向负荷为0时）
- ※ 8 径向负荷的容许最大值
- ※ 9 轴向负荷的容许最大值
- ※ 10 因减速比和输入轴尺寸的不同而有所不同。

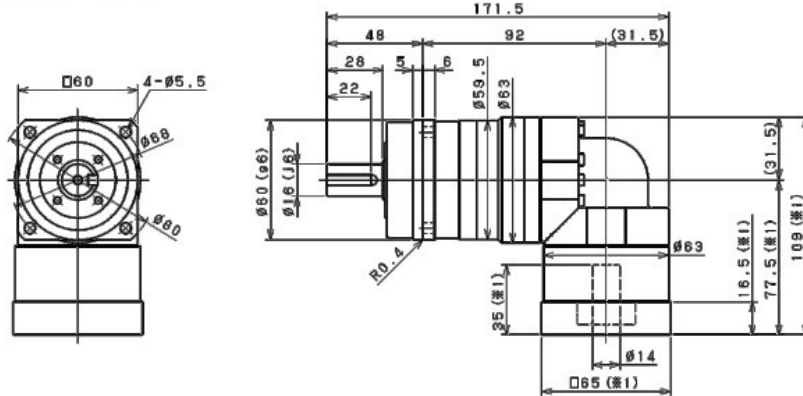
- ※ 1 With nominal input speed, service life is 20,000 hours.
- ※ 2 The maximum torque when starting and stopping.
- ※ 3 The maximum torque when it receives shock (up to 1,000 times)
- ※ 4 The maximum average input speed.
- ※ 5 The maximum momentary input speed.
- ※ 6 With this load and nominal input speed, service life will be 20,000 hours (Applied to the output shaft center, at axial load 0)
- ※ 7 With this load and nominal input speed, service life will be 20,000 hours (Applied to the output side bearing, at radial load 0)
- ※ 8 The maximum radial load the reducer can accept.
- ※ 9 The maximum axial load the reducer can accept.
- ※ 10 The weight may vary slightly model to model.

EPES-060 1段 1stage

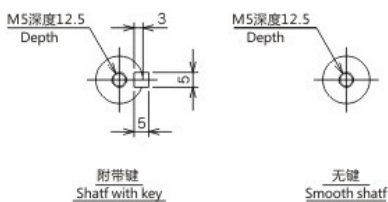
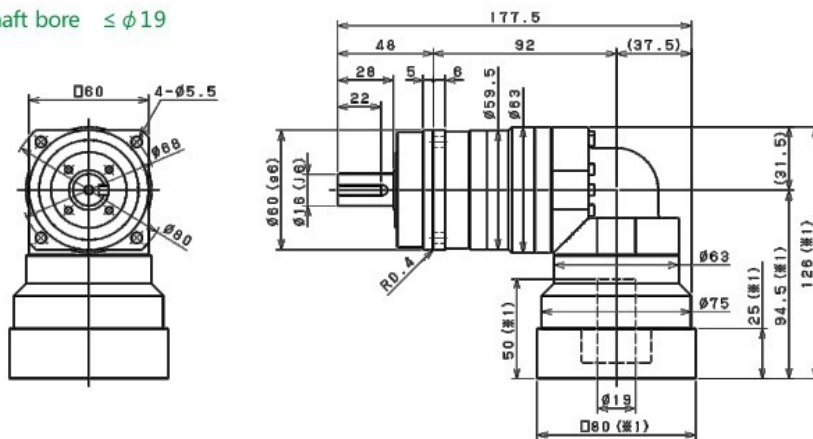
输入轴内径 Input shaft bore $\leq \phi 8$



输入轴内径 Input shaft bore $\leq \phi 14$



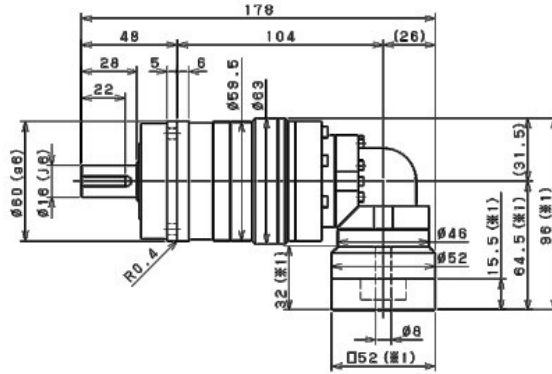
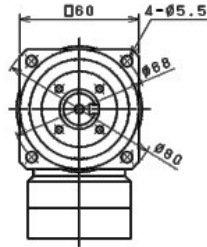
输入轴内径 Input shaft bore $\leq \phi 19$



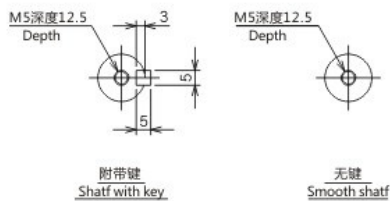
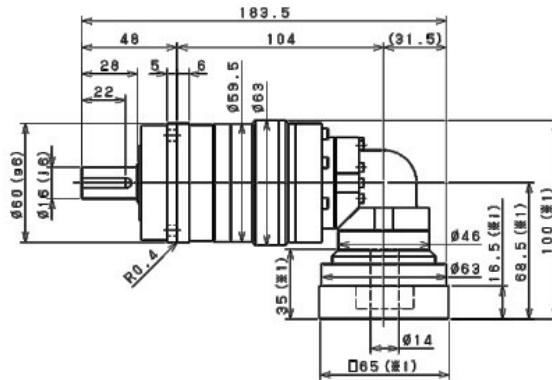
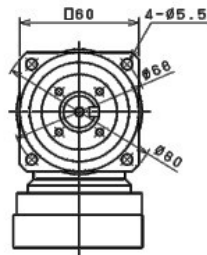
- ※ 1 随安装马达的不同而有所差异。
- ※ 2 马达轴径与输入轴径不同时，可插入轴套。
- ※ 1 Length will vary depending on motor.
- ※ 2 Bushing will be inserted to adapt to motor shaft.

EPES-060 2段 2stage

输入轴内径 Input shaft bore $\leq \phi 8$



输入轴内径 Input shaft bore $\leq \phi 14$



- ※ 1 随安装马达的不同而有所差异。
- ※ 2 马达轴径与输入轴径不同时，可插入轴套。
- ※ 1 Length will vary depending on motor.
- ※ 2 Bushing will be inserted to adapt to motor shaft.

尺寸 Frame size	段位 Stage	减速比 Ratio	※1	※2	※3	※4	※5	※6	※7	
			容许 额定扭矩 Nominal output torque	容许 最大扭矩 Maximum output torque	紧急时 最大扭矩 Emergency stop torque	容许额定 输入转速 Nominal input speed	容许最高 输入转速 Maximum input speed	容许 径向负荷 Permitted radial load	容许 轴向负荷 Permitted axial load	
			[Nm]	[Nm]	[Nm]	[rpm]	[rpm]	[N]	[N]	
075	1段 Single	3	45	65	130	3000	6000	2300	3400	
		4	60	90	170	3000	6000	2500	3700	
		5	65	90	220	3000	6000	2700	3900	
		6	65	90	220	3000	6000	2800	3900	
		7	65	90	220	3000	6000	3000	3900	
		8	65	90	220	3000	6000	3100	3900	
		9	45	65	170	3000	6000	3200	3900	
		10	45	65	170	3000	6000	3300	3900	
		2段 Double	15	45	65	170	3000	6000	3700	3900
			16	65	110	220	3000	6000	3800	3900
	20		65	110	220	3000	6000	4000	3900	
	25		65	110	220	3000	6000	4300	3900	
	28		65	110	220	3000	6000	4300	3900	
	30		45	65	170	3000	6000	4300	3900	
	35		65	110	220	3000	6000	4300	3900	
	40		65	110	220	3000	6000	4300	3900	
	45		45	65	170	3000	6000	4300	3900	
	50		65	110	220	3000	6000	4300	3900	
	60	65	110	220	3000	6000	4300	3900		
	70	65	110	220	3000	6000	4300	3900		
80	65	110	220	3000	6000	4300	3900			
90	45	65	170	3000	6000	4300	3900			
100	45	65	170	3000	6000	4300	3900			

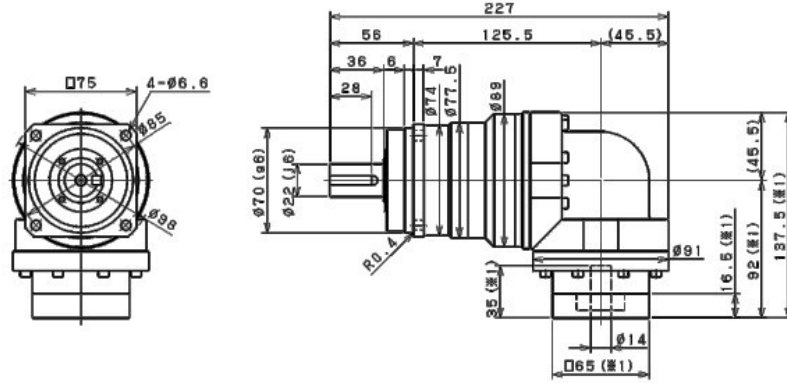
尺寸 Frame size	段位 Stage	减速比 Ratio	※8	※9	※10	惯性力矩 Moment of inertia (≤ φ8)	惯性力矩 Moment of inertia (≤ φ14)	惯性力矩 Moment of inertia (≤ φ19)	惯性力矩 Moment of inertia (≤ φ28)		
			容许最大 径向负荷 Maximum radial load	容许最大 轴向负荷 Maximum axial load	重量 Weight	[kgcm ²]	[kgcm ²]	[kgcm ²]	[kgcm ²]		
			[N]	[N]	[kg]						
075	1段 Single	3	4300	3900	4.8	-	2.07	2.40	4.53		
		4	4300	3900		-	1.87	2.20	4.32		
		5	4300	3900		-	1.78	2.11	4.24		
		6	4300	3900		-	1.74	2.07	4.20		
		7	4300	3900		-	1.72	2.05	4.17		
		8	4300	3900		-	1.70	2.03	4.16		
		9	4300	3900		-	1.69	2.02	4.15		
		10	4300	3900		-	1.69	2.02	4.15		
		2段 Double	15	4300		3900	4.1	0.33	0.41	0.60	-
			16	4300		3900		0.38	0.46	0.65	-
	20		4300	3900	0.33	0.40		0.59	-		
	25		4300	3900	0.32	0.40		0.59	-		
	28		4300	3900	0.37	0.45		0.64	-		
	30		4300	3900	0.25	0.32		0.51	-		
	35		4300	3900	0.32	0.40		0.58	-		
	40		4300	3900	0.25	0.32		0.51	-		
	45		4300	3900	0.32	0.39		0.58	-		
	50		4300	3900	0.25	0.32		0.51	-		
	60	4300	3900	0.25	0.32	0.51	-				
	70	4300	3900	0.25	0.32	0.51	-				
80	4300	3900	0.25	0.32	0.51	-					
90	4300	3900	0.25	0.32	0.51	-					
100	4300	3900	0.25	0.32	0.51	-					

- ※ 1 输入转速为额定转速时,使用寿命为20000小时的值
- ※ 2 启动、停止时容许的最大值
- ※ 3 发生撞击时容许的最大值(频率最高为1000次)
- ※ 4 运转过程中,额定输入转速的容许最大值
- ※ 5 在非连续运转条件下容许的最高输入转速
- ※ 6 输入转速为额定转速时,使用寿命为20000小时的值(作用于轴中央,轴向负荷为0时)
- ※ 7 输入转速为额定转速时,使用寿命为20000小时的值(作用于轴芯,径向负荷为0时)
- ※ 8 径向负荷的容许最大值
- ※ 9 轴向负荷的容许最大值
- ※ 10 因减速比和输入轴尺寸的不同而有所不同。

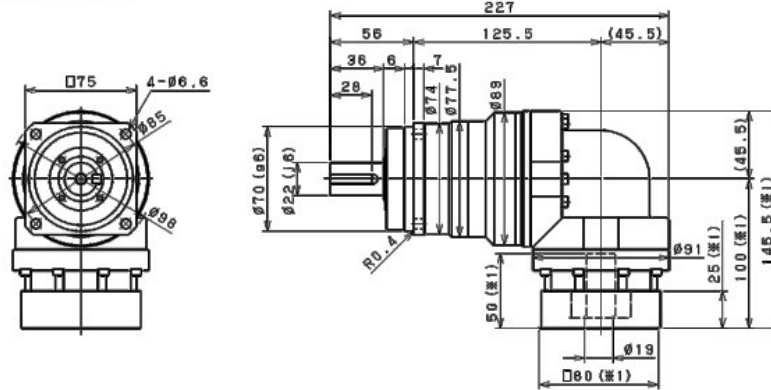
- ※ 1 With nominal input speed, service life is 20,000 hours.
- ※ 2 The maximum torque when starting and stopping.
- ※ 3 The maximum torque when it receives shock (up to 1,000 times)
- ※ 4 The maximum average input speed.
- ※ 5 The maximum momentary input speed.
- ※ 6 With this load and nominal input speed, service life will be 20,000 hours (Applied to the output shaft center, at axial load 0)
- ※ 7 With this load and nominal input speed, service life will be 20,000 hours (Applied to the output side bearing, at radial load 0)
- ※ 8 The maximum radial load the reducer can accept.
- ※ 9 The maximum axial load the reducer can accept.
- ※ 10 The weight may vary slightly model to model.

EPES-075 1段 1stage

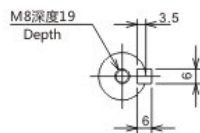
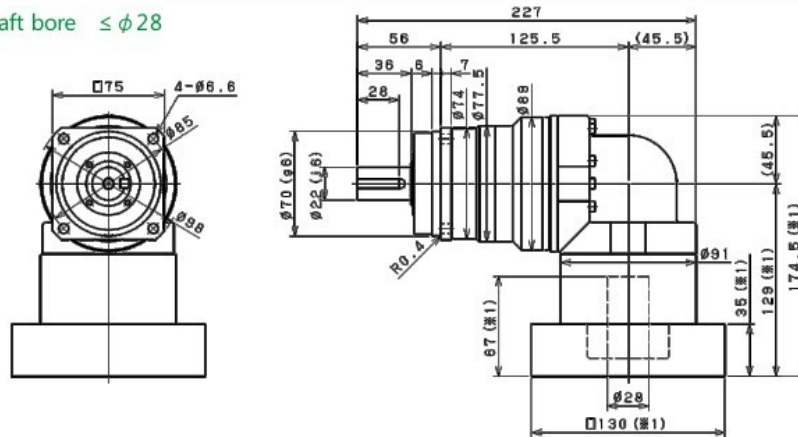
输入轴内径 Input shaft bore $\leq \phi 14$



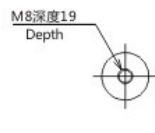
输入轴内径 Input shaft bore $\leq \phi 19$



输入轴内径 Input shaft bore $\leq \phi 28$



附带键
Shaft with key

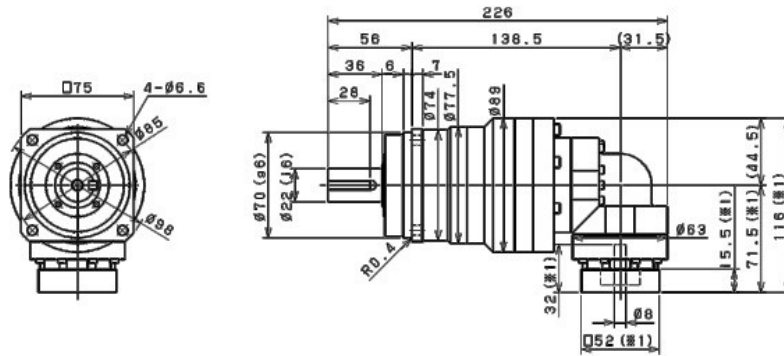


无键
Smooth shaft

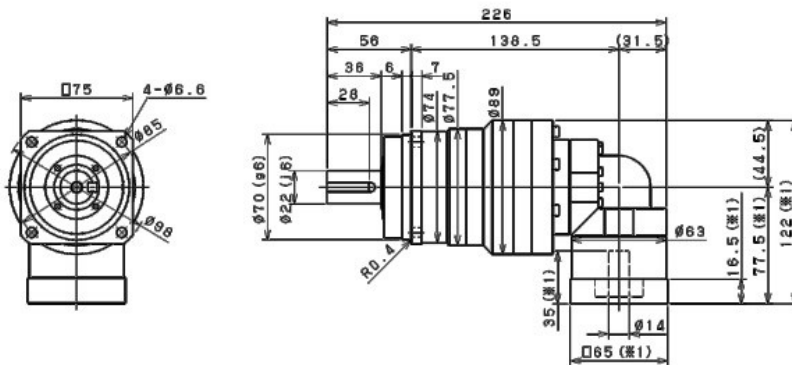
- ※ 1 随安装马达的不同而有所差异。
- ※ 2 马达轴径与输入轴径不同时，可插入轴套。
- ※ 1 Length will vary depending on motor.
- ※ 2 Bushing will be inserted to adapt to motor shaft.

EPES-075 2段 2stage

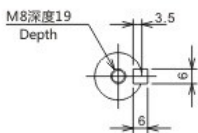
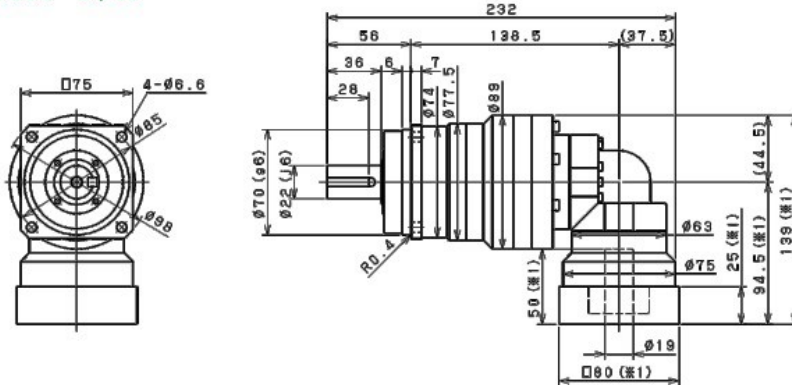
输入轴内径 Input shaft bore $\leq \phi 8$



输入轴内径 Input shaft bore $\leq \phi 14$



输入轴内径 Input shaft bore $\leq \phi 19$



附带键
Shaft with key



无键
Smooth shaft

- ※ 1 随安装马达的不同而有所差异。
- ※ 2 马达轴径与输入轴径不同时，可插入轴套。
- ※ 1 Length will vary depending on motor.
- ※ 2 Bushing will be inserted to adapt to motor shaft.

尺寸 Frame size	段位 Stage	减速比 Ratio	※1	※2	※3	※4	※5	※6	※7	
			容许 额定扭矩 Nominal output torque [Nm]	容许 最大扭矩 Maximum output torque [Nm]	紧急时 最大扭矩 Emergency stop torque [Nm]	容许额定 输入转速 Nominal input speed [rpm]	容许最高 输入转速 Maximum input speed [rpm]	容许 径向负荷 Permitted radial load [N]	容许 轴向负荷 Permitted axial load [N]	
100	1段 Single	3	75	150	320	3000	6000	3400	4800	
		4	100	200	430	3000	6000	3700	5200	
		5	120	240	500	3000	6000	4000	5600	
		6	150	300	550	3000	6000	4200	5900	
		7	150	300	550	3000	6000	4400	6100	
		8	150	300	550	3000	6000	4600	6300	
		9	110	200	450	3000	6000	4800	6300	
		10	110	200	450	3000	6000	4900	6300	
		2段 Double	15	110	200	450	3000	6000	5600	6300
			16	130	260	550	3000	6000	5700	6300
	20		150	300	550	3000	6000	6100	6300	
	25		150	300	550	3000	6000	6500	6300	
	28		150	300	550	3000	6000	6700	6300	
	30		110	200	450	3000	6000	6900	6300	
	35		150	300	550	3000	6000	7000	6300	
	40		150	300	550	3000	6000	7000	6300	
	45		110	200	450	3000	6000	7000	6300	
	50		150	300	550	3000	6000	7000	6300	
	60	150	300	550	3000	6000	7000	6300		
	70	150	300	550	3000	6000	7000	6300		
80	150	300	550	3000	6000	7000	6300			
90	110	200	450	3000	6000	7000	6300			
100	110	200	450	3000	6000	7000	6300			

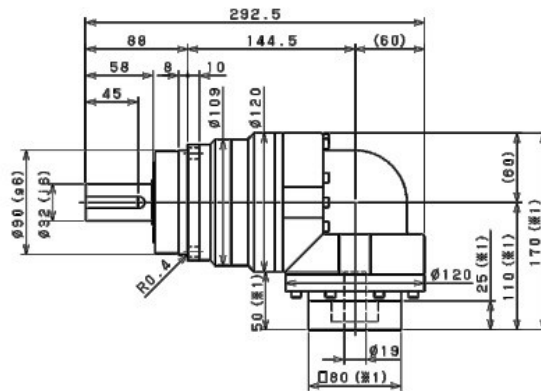
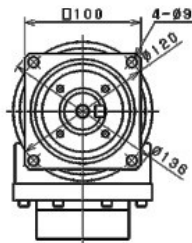
尺寸 Frame size	段位 Stage	减速比 Ratio	※8	※9	※10	惯性力矩 Moment of inertia (≤ φ14) [kgcm ²]	惯性力矩 Moment of inertia (≤ φ19) [kgcm ²]	惯性力矩 Moment of inertia (≤ φ28) [kgcm ²]	惯性力矩 Moment of inertia (≤ φ38) [kgcm ²]		
			容许最大 径向负荷 Maximum radial load [N]	容许最大 轴向负荷 Maximum axial load [N]	重量 Weight [kg]						
100	1段 Single	3	7000	6300	10.5	-	6.61	8.21	15.28		
		4	7000	6300		-	5.41	7.01	14.08		
		5	7000	6300		-	4.97	6.57	13.64		
		6	7000	6300		-	4.73	6.33	13.40		
		7	7000	6300		-	4.62	6.22	13.29		
		8	7000	6300		-	4.53	6.12	13.20		
		9	7000	6300		-	4.47	6.07	13.14		
		10	7000	6300		-	4.45	6.04	13.11		
		2段 Double	15	7000		6300	10.1	2.24	2.57	4.70	-
			16	7000		6300		2.45	2.78	4.91	-
	20		7000	6300	2.19	2.52		4.65	-		
	25		7000	6300	2.18	2.51		4.63	-		
	28		7000	6300	2.40	2.73		4.86	-		
	30		7000	6300	1.87	2.20		4.33	-		
	35		7000	6300	2.16	2.49		4.62	-		
	40		7000	6300	1.86	2.19		4.32	-		
	45		7000	6300	2.15	2.48		4.61	-		
	50		7000	6300	1.86	2.19		4.31	-		
	60	7000	6300	1.85	2.18	4.31	-				
	70	7000	6300	1.85	2.18	4.31	-				
80	7000	6300	1.85	2.18	4.31	-					
90	7000	6300	1.85	2.18	4.31	-					
100	7000	6300	1.85	2.18	4.31	-					

- ※ 1 输入转速为额定转速时，使用寿命为20000小时的值
- ※ 2 启动、停止时容许的最大值
- ※ 3 发生撞击时容许的最大值（频率最高为1000次）
- ※ 4 运转过程中，额定输入转速的容许最大值
- ※ 5 在非连续运转条件下容许的最高输入转速
- ※ 6 输入转速为额定转速时，使用寿命为20000小时的值（作用于轴中央，轴向负荷为0时）
- ※ 7 输入转速为额定转速时，使用寿命为20000小时的值（作用于轴芯，径向负荷为0时）
- ※ 8 径向负荷的容许最大值
- ※ 9 轴向负荷的容许最大值
- ※10 因减速比和输入轴尺寸的不同而有所不同。

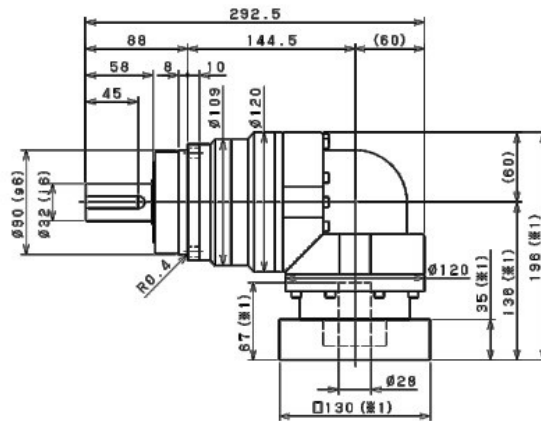
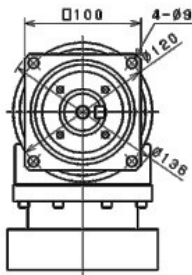
- ※ 1 With nominal input speed, service life is 20,000 hours.
- ※ 2 The maximum torque when starting and stopping.
- ※ 3 The maximum torque when it receives shock (up to 1,000 times)
- ※ 4 The maximum average input speed.
- ※ 5 The maximum momentary input speed.
- ※ 6 With this load and nominal input speed, service life will be 20,000 hours (Applied to the output shaft center, at axial load 0)
- ※ 7 With this load and nominal input speed, service life will be 20,000 hours (Applied to the output side bearing, at radial load 0)
- ※ 8 The maximum radial load the reducer can accept.
- ※ 9 The maximum axial load the reducer can accept.
- ※ 10 The weight may vary slightly model to model.

EPES-100 1段 1stage

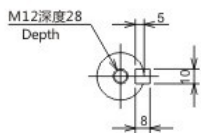
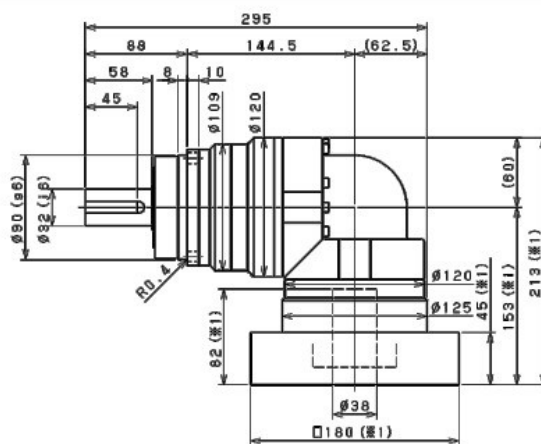
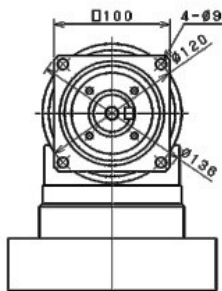
输入轴内径 Input shaft bore $\leq \phi 19$



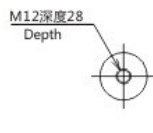
输入轴内径 Input shaft bore $\leq \phi 28$



输入轴内径 Input shaft bore $\leq \phi 38$



附带键
Shaft with key

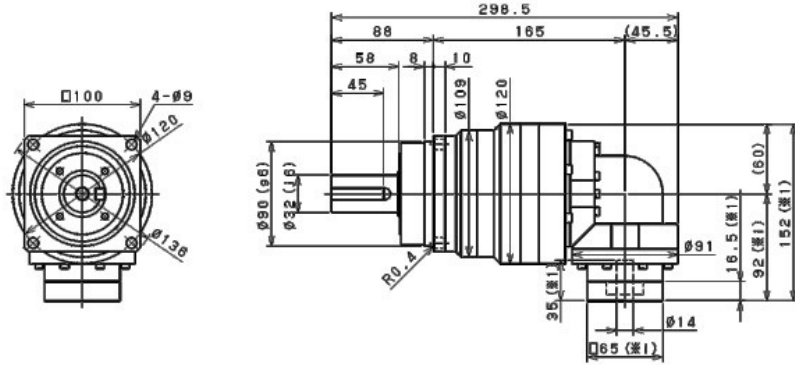


无键
Smooth shaft

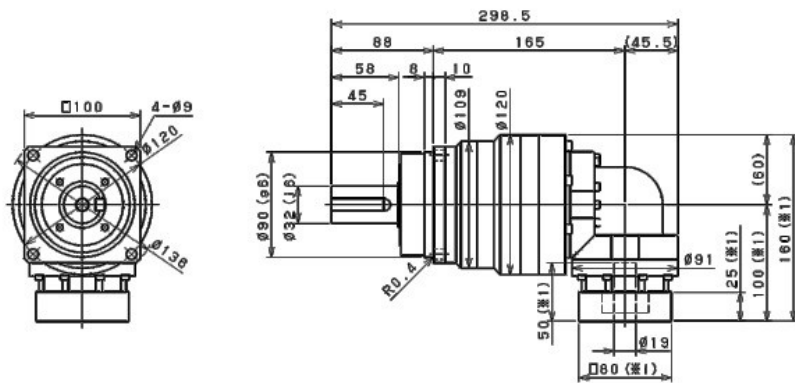
- ※ 1 随安装马达的不同而有所差异。
- ※ 2 马达轴径与输入轴径不同时，可插入轴套。
- ※ 1 Length will vary depending on motor.
- ※ 2 Bushing will be inserted to adapt to motor shaft.

EPES-100 2段 2stage

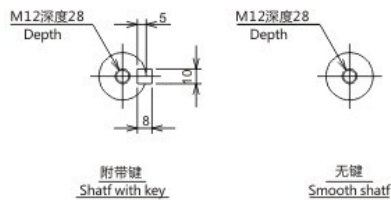
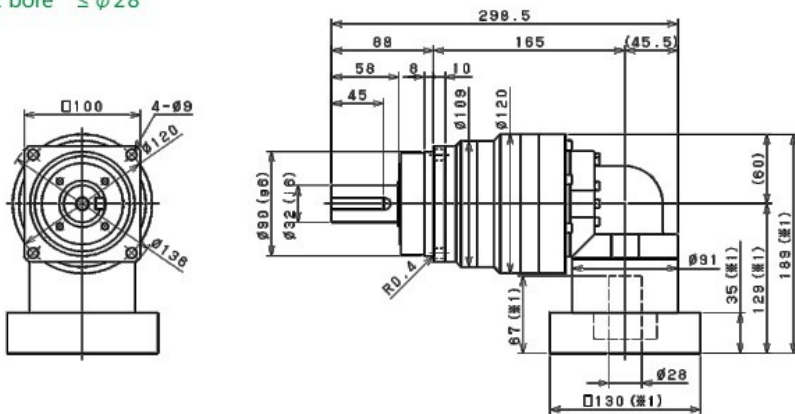
输入轴内径 Input shaft bore $\leq \phi 14$



输入轴内径 Input shaft bore $\leq \phi 19$



输入轴内径 Input shaft bore $\leq \phi 28$



- ※ 1 随安装马达的不同而有所差异。
- ※ 2 马达轴径与输入轴径不同时，可插入轴套。
- ※ 1 Length will vary depending on motor.
- ※ 2 Bushing will be inserted to adapt to motor shaft.

尺寸 Frame size	段位 Stage	减速比 Ratio	※1	※2	※3	※4	※5	※6	※7	
			容许 额定扭矩 Nominal output torque	容许 最大扭矩 Maximum output torque	紧急时 最大扭矩 Emergency stop torque	容许额定 输入转速 Nominal input speed	容许最高 输入转速 Maximum input speed	容许 径向负荷 Permitted radial load	容许 轴向负荷 Permitted axial load	
			[Nm]	[Nm]	[Nm]	[rpm]	[rpm]	[N]	[N]	
140	1段 Single	3	130	260	700	2000	4000	6700	9000	
		4	170	340	950	2000	4000	7400	9000	
		5	200	400	1100	2000	4000	7900	9000	
		6	260	520	1100	2000	4000	8300	9000	
		7	300	600	1100	2000	4000	8700	9000	
		8	300	600	1100	2000	4000	9100	9000	
		9	200	400	750	2000	4000	9400	9000	
		10	200	400	750	2000	4000	9700	9000	
		2段 Double	15	200	400	750	2000	4000	10000	9000
			16	300	600	1100	2000	4000	10000	9000
	20		300	600	1100	2000	4000	10000	9000	
	25		300	600	1100	2000	4000	10000	9000	
	28		300	600	1100	2000	4000	10000	9000	
	30		200	400	750	2000	4000	10000	9000	
	35		300	600	1100	2000	4000	10000	9000	
	40		300	600	1100	2000	4000	10000	9000	
	45		200	400	750	2000	4000	10000	9000	
	50		300	600	1100	2000	4000	10000	9000	
	60	300	600	1100	2000	4000	10000	9000		
	70	300	600	1100	2000	4000	10000	9000		
80	300	600	1100	2000	4000	10000	9000			
90	200	400	750	2000	4000	10000	9000			
100	200	400	750	2000	4000	10000	9000			

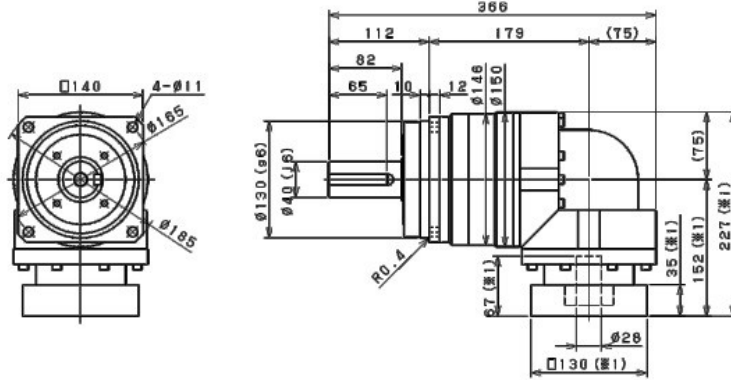
尺寸 Frame size	段位 Stage	减速比 Ratio	※8	※9	※10	惯性力矩 Moment of inertia (≤ φ19) [kgcm ²]	惯性力矩 Moment of inertia (≤ φ28) [kgcm ²]	惯性力矩 Moment of inertia (≤ φ38) [kgcm ²]	惯性力矩 Moment of inertia (≤ φ48) [kgcm ²]		
			容许最大 径向负荷 Maximum radial load	容许最大 轴向负荷 Maximum axial load	重量 Weight						
			[N]	[N]	[kg]						
140	1段 Single	3	10000	9000	20.6	-	23.01	27.38	40.61		
		4	10000	9000		-	18.49	22.86	36.09		
		5	10000	9000		-	16.85	21.22	34.45		
		6	10000	9000		-	15.97	20.34	33.57		
		7	10000	9000		-	15.55	19.92	33.15		
		8	10000	9000		-	15.21	19.58	32.81		
		9	10000	9000		-	14.75	19.12	32.35		
		10	10000	9000		-	14.64	19.02	32.25		
		2段 Double	15	10000		9000	20.7	6.40	7.99	15.06	-
			16	10000		9000		7.29	8.88	15.95	-
	20		10000	9000	6.22	7.81		14.88	-		
	25		10000	9000	6.15	7.75		14.82	-		
	28		10000	9000	7.09	8.68		15.75	-		
	30		10000	9000	4.99	6.58		13.66	-		
	35		10000	9000	6.09	7.68		14.76	-		
	40		10000	9000	4.94	6.54		13.61	-		
	45		10000	9000	6.07	7.66		14.73	-		
	50		10000	9000	4.93	6.52		13.59	-		
	60	10000	9000	4.92	6.51	13.59	-				
	70	10000	9000	4.91	6.51	13.58	-				
80	10000	9000	4.91	6.50	13.58	-					
90	10000	9000	4.91	6.50	13.57	-					
100	10000	9000	4.91	6.50	13.57	-					

- ※ 1 输入转速为额定转速时, 使用寿命为20000小时的值
- ※ 2 启动、停止时容许的最大值
- ※ 3 发生撞击时容许的最大值 (频率最高为1000次)
- ※ 4 运转过程中, 额定输入转速的容许最大值
- ※ 5 在非连续运转条件下容许的最高输入转速
- ※ 6 输入转速为额定转速时, 使用寿命为20000小时的值 (作用于轴中央, 轴向负荷为0时)
- ※ 7 输入转速为额定转速时, 使用寿命为20000小时的值 (作用于轴芯, 径向负荷为0时)
- ※ 8 径向负荷的容许最大值
- ※ 9 轴向负荷的容许最大值
- ※ 10 因减速比和输入轴尺寸的不同而有所不同。

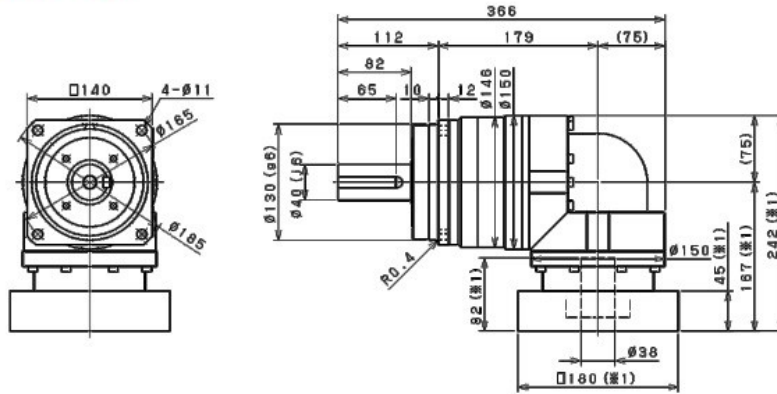
- ※ 1 With nominal input speed, service life is 20,000 hours.
- ※ 2 The maximum torque when starting and stopping.
- ※ 3 The maximum torque when it receives shock (up to 1,000 times)
- ※ 4 The maximum average input speed.
- ※ 5 The maximum momentary input speed.
- ※ 6 With this load and nominal input speed, service life will be 20,000 hours (Applied to the output shaft center, at axial load 0)
- ※ 7 With this load and nominal input speed, service life will be 20,000 hours (Applied to the output side bearing, at radial load 0)
- ※ 8 The maximum radial load the reducer can accept.
- ※ 9 The maximum axial load the reducer can accept.
- ※ 10 The weight may vary slightly model to model.

EPES-140 1段 1stage

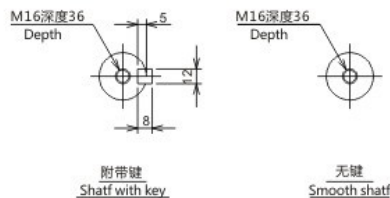
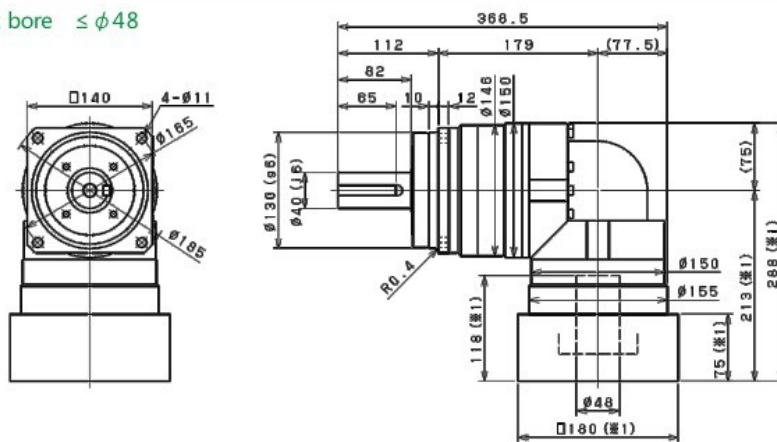
输入轴内径 Input shaft bore $\leq \phi 28$



输入轴内径 Input shaft bore $\leq \phi 38$



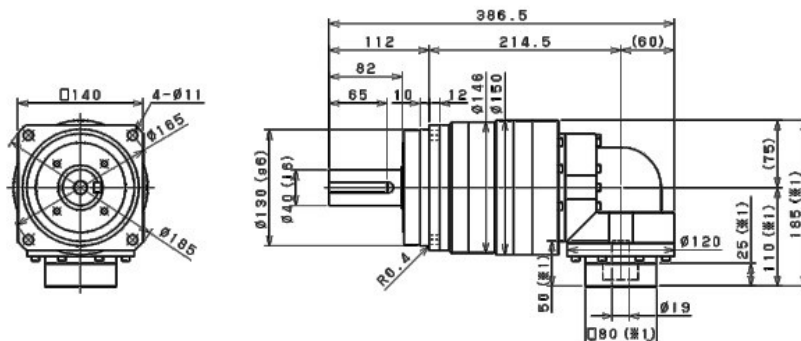
输入轴内径 Input shaft bore $\leq \phi 48$



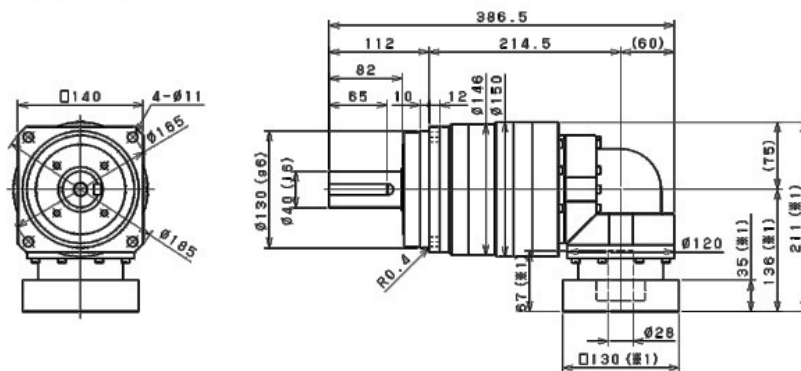
- ※ 1 随安装马达的不同而有所差异。
- ※ 2 马达轴径与输入轴径不同时，可插入轴套。
- ※ 1 Length will vary depending on motor.
- ※ 2 Bushing will be inserted to adapt to motor shaft.

EPES-140 2段 2stage

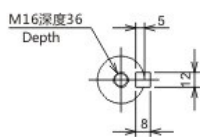
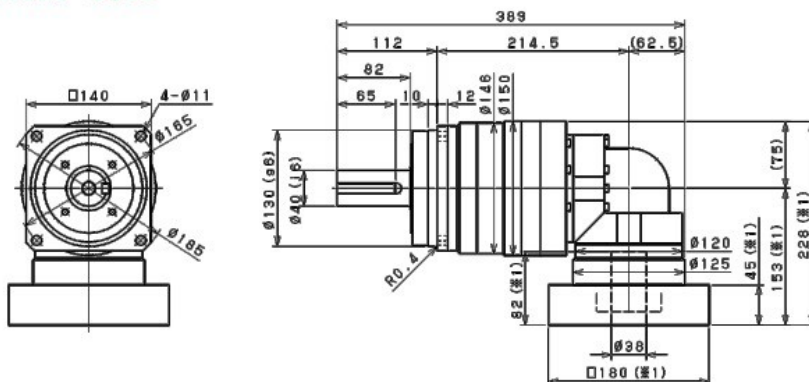
输入轴内径 Input shaft bore $\leq \phi 19$



输入轴内径 Input shaft bore $\leq \phi 28$



输入轴内径 Input shaft bore $\leq \phi 38$



附带键
Shaft with key



无键
Smooth shaft

- ※ 1 随安装马达的不同而有所差异。
- ※ 2 马达轴径与输入轴径不同时，可插入轴套。
- ※ 1 Length will vary depending on motor.
- ※ 2 Bushing will be inserted to adapt to motor shaft.

尺寸 Frame size	段位 Stage	减速比 Ratio	※1	※2	※3	※4	※5	※6	※7	
			容许 额定扭矩 Nominal output torque [Nm]	容许 最大扭矩 Maximum output torque [Nm]	紧急时 最大扭矩 Emergency stop torque [Nm]	容许额定 输入转速 Nominal input speed [rpm]	容许最高 输入转速 Maximum input speed [rpm]	容许 径向负荷 Permitted radial load [N]	容许 轴向负荷 Permitted axial load [N]	
180	1段 Single	3	400	575	1300	1500	3000	12000	16000	
		4	575	770	1700	1500	3000	13000	17000	
		5	600	960	2000	1500	3000	14000	17000	
		6	600	1120	2500	1500	3000	15000	17000	
		7	600	1120	2500	1500	3000	16000	17000	
		8	600	1120	2500	1500	3000	17000	17000	
		9	400	775	2000	1500	3000	17000	17000	
		10	400	775	2000	1500	3000	18000	17000	
		2段 Double	15	400	775	2000	1500	3000	19000	17000
			16	555	1120	2500	1500	3000	19000	17000
	20		600	1120	2500	1500	3000	19000	17000	
	25		600	1120	2500	1500	3000	19000	17000	
	28		600	1120	2500	1500	3000	19000	17000	
	30		400	775	2000	1500	3000	19000	17000	
	35		600	1120	2500	1500	3000	19000	17000	
	40		600	1120	2500	1500	3000	19000	17000	
	45		400	775	2000	1500	3000	19000	17000	
	50		600	1120	2500	1500	3000	19000	17000	
	60	600	1120	2500	1500	3000	19000	17000		
	70	600	1120	2500	1500	3000	19000	17000		
80	600	1120	2500	1500	3000	19000	17000			
90	400	775	2000	1500	3000	19000	17000			
100	400	775	2000	1500	3000	19000	17000			

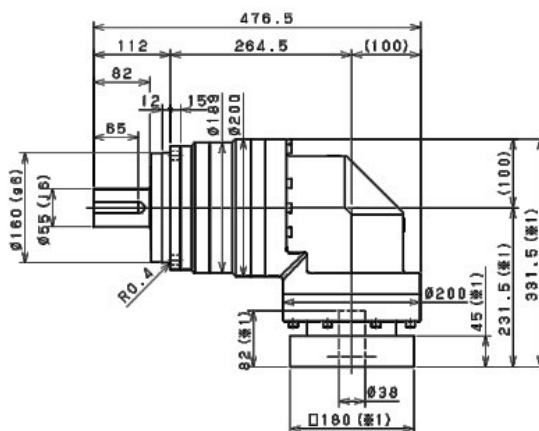
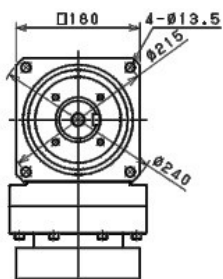
尺寸 Frame size	段位 Stage	减速比 Ratio	※8	※9	※10						
			容许最大 径向负荷 Maximum radial load [N]	容许最大 轴向负荷 Maximum axial load [N]	重量 Weight [kg]	惯性力矩 Moment of inertia ($\leq \phi 28$) [kgcm ²]	惯性力矩 Moment of inertia ($\leq \phi 38$) [kgcm ²]	惯性力矩 Moment of inertia ($\leq \phi 48$) [kgcm ²]	惯性力矩 Moment of inertia ($\leq \phi 65$) [kgcm ²]		
180	1段 Single	3	19000	17000	51	-	92.00	126.9	212.5		
		4	19000	17000		-	76.72	111.6	197.2		
		5	19000	17000		-	71.23	106.1	191.7		
		6	19000	17000		-	68.28	103.1	188.7		
		7	19000	17000		-	66.08	100.9	186.6		
		8	19000	17000		-	65.00	99.86	185.5		
		9	19000	17000		-	64.38	99.25	184.9		
		10	19000	17000		-	64.10	98.97	184.6		
		2段 Double	15	19000		17000	39	11.42	20.21	25.03	-
			16	19000		17000		12.03	20.82	25.64	-
	20		19000	17000	11.11	19.90		24.72	-		
	25		19000	17000	10.96	19.74		24.56	-		
	28		19000	17000	11.57	20.36		25.18	-		
	30		19000	17000	10.31	19.10		23.92	-		
	35		19000	17000	10.82	19.60		24.42	-		
	40		19000	17000	10.23	19.02		23.84	-		
	45		19000	17000	10.76	19.54		24.36	-		
	50		19000	17000	10.19	18.98		23.80	-		
	60	19000	17000	10.17	18.96	23.78	-				
	70	19000	17000	10.16	18.94	23.77	-				
80	19000	17000	10.15	18.94	23.76	-					
90	19000	17000	10.14	18.93	23.75	-					
100	19000	17000	10.14	18.93	23.75	-					

- ※ 1 输入转速为额定转速时，使用寿命为20000小时的值
- ※ 2 启动、停止时容许的最大值
- ※ 3 发生撞击时容许的最大值（频率最高为1000次）
- ※ 4 运转过程中，额定输入转速的容许最大值
- ※ 5 在非连续运转条件下容许的最高输入转速
- ※ 6 输入转速为额定转速时，使用寿命为20000小时的值（作用于轴中央，轴向负荷为0时）
- ※ 7 输入转速为额定转速时，使用寿命为20000小时的值（作用于轴芯，径向负荷为0时）
- ※ 8 径向负荷的容许最大值
- ※ 9 轴向负荷的容许最大值
- ※ 10 因减速比和输入轴尺寸的不同而有所不同。

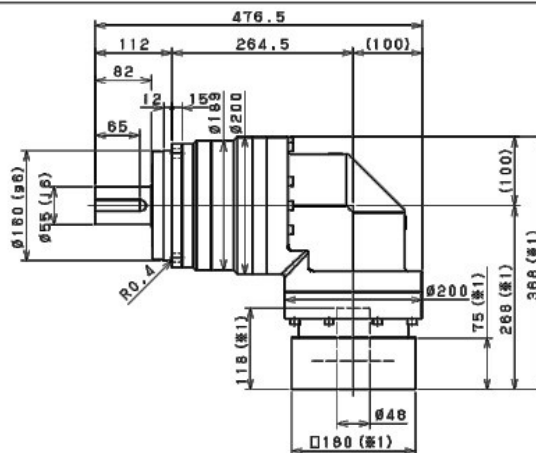
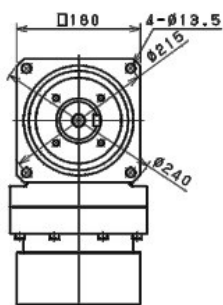
- ※ 1 With nominal input speed, service life is 20,000 hours.
- ※ 2 The maximum torque when starting and stopping.
- ※ 3 The maximum torque when it receives shock (up to 1,000 times)
- ※ 4 The maximum average input speed.
- ※ 5 The maximum momentary input speed.
- ※ 6 With this load and nominal input speed, service life will be 20,000 hours (Applied to the output shaft center, at axial load 0)
- ※ 7 With this load and nominal input speed, service life will be 20,000 hours (Applied to the output side bearing, at radial load 0)
- ※ 8 The maximum radial load the reducer can accept.
- ※ 9 The maximum axial load the reducer can accept.
- ※ 10 The weight may vary slightly model to model.

EPES-180 1段 1stage (订单生产品 On inquiry basis)

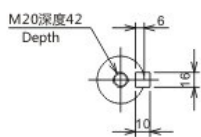
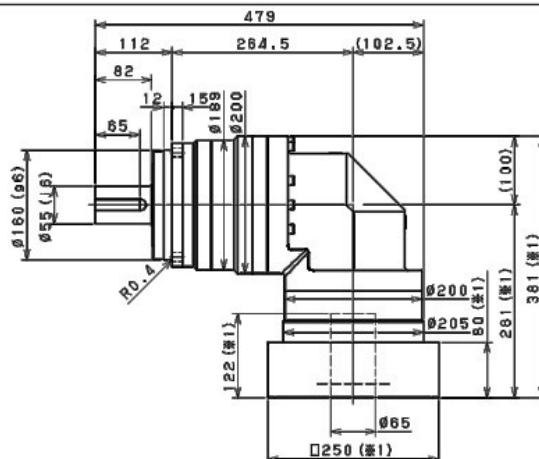
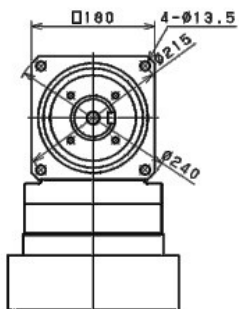
输入轴内径 Input shaft bore $\leq \phi 38$



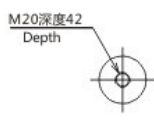
输入轴内径 Input shaft bore $\leq \phi 48$



输入轴内径 Input shaft bore $\leq \phi 65$



附带键
Shaft with key

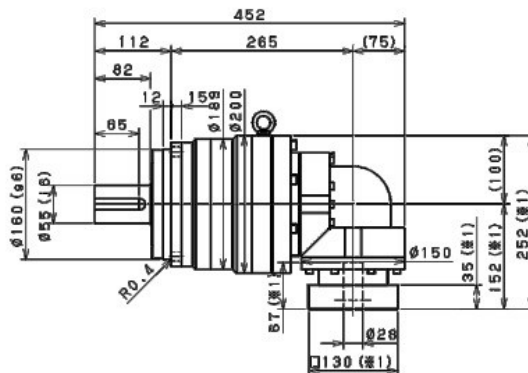
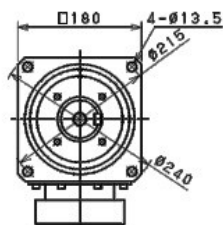


无键
Smooth shaft

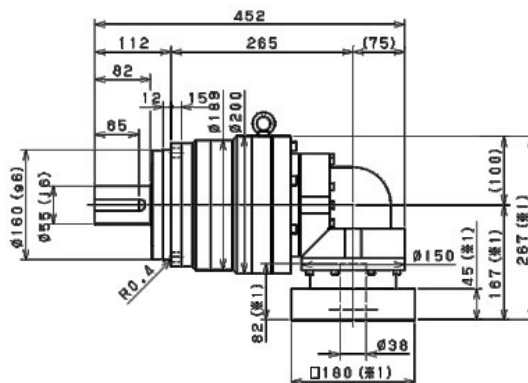
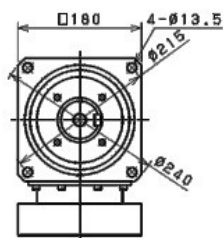
- ※ 1 随安装马达的不同而有所差异。
- ※ 2 马达轴径与输入轴径不同时，可插入轴套。
- ※ 1 Length will vary depending on motor.
- ※ 2 Bushing will be inserted to adapt to motor shaft.

EPES-180 2段 2stage (订单生产品 On inquiry basis)

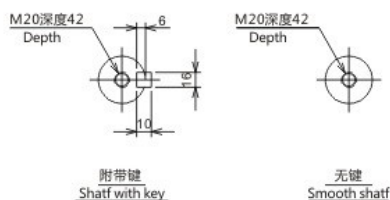
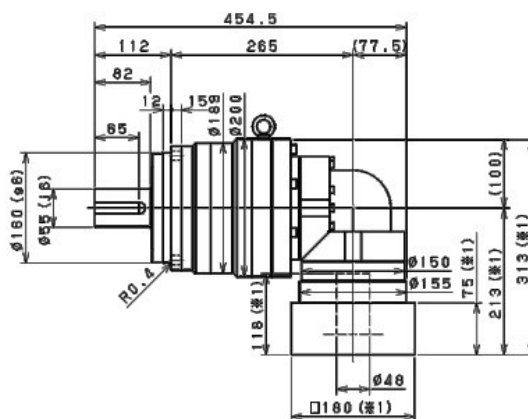
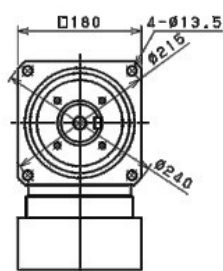
输入轴内径 Input shaft bore $\leq \phi 28$



输入轴内径 Input shaft bore $\leq \phi 38$



输入轴内径 Input shaft bore $\leq \phi 48$



- ※ 1 随安装马达的不同而有所差异。
- ※ 2 马达轴径与输入轴径不同时，可插入轴套。
- ※ 1 Length will vary depending on motor.
- ※ 2 Bushing will be inserted to adapt to motor shaft.

尺寸 Frame size	段位 Stage	减速比 Ratio	※1	※2	※3	※4	※5	※6	※7	
			容许 额定扭矩 Nominal output torque	容许 最大扭矩 Maximum output torque	紧急时 最大扭矩 Emergency stop torque	容许额定 输入转速 Nominal input speed	容许最高 输入转速 Maximum input speed	容许 径向负荷 Permitted radial load	容许 轴向负荷 Permitted axial load	
			[Nm]	[Nm]	[Nm]	[rpm]	[rpm]	[N]	[N]	
210	1段 Single	3	575	1015	2500	1000	2000	17000	22000	
		4	765	1355	3300	1000	2000	18000	22000	
		5	960	1695	4000	1000	2000	20000	22000	
		6	1150	1840	4500	1000	2000	21000	22000	
		7	1200	1840	4500	1000	2000	22000	22000	
		8	1200	1760	4500	1000	2000	23000	22000	
		9	800	1520	3600	1000	2000	24000	22000	
		10	800	1280	3600	1000	2000	24000	22000	
		2段 Double	15	800	1280	3600	1000	2000	24000	22000
			16	1200	1840	4500	1000	2000	24000	22000
	20		1200	1840	4500	1000	2000	24000	22000	
	25		1200	1840	4500	1000	2000	24000	22000	
	28		1200	1840	4500	1000	2000	24000	22000	
	30		800	1280	3600	1000	2000	24000	22000	
	35		1200	1840	4500	1000	2000	24000	22000	
	40		1200	1840	4500	1000	2000	24000	22000	
	45		800	1040	3600	1000	2000	24000	22000	
	50		1200	1840	4500	1000	2000	24000	22000	
	60	1200	1840	4500	1000	2000	24000	22000		
	70	1200	1840	4500	1000	2000	24000	22000		
80	1200	1440	4500	1000	2000	24000	22000			
90	800	1040	3600	1000	2000	24000	22000			
100	800	960	3600	1000	2000	24000	22000			

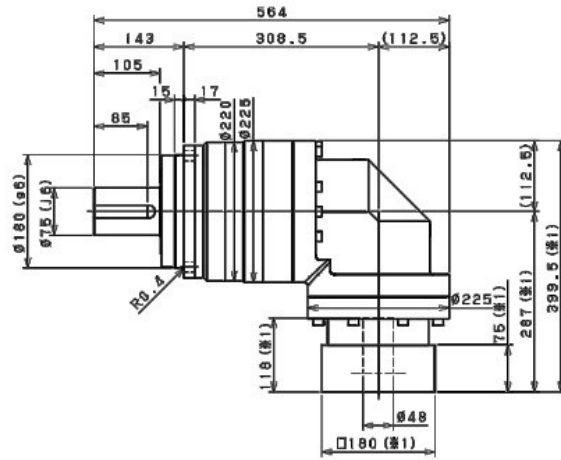
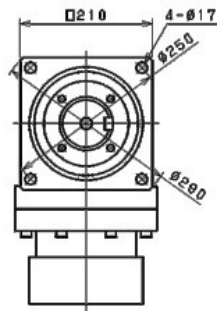
尺寸 Frame size	段位 Stage	减速比 Ratio	※8	※9	※10	惯性力矩 Moment of inertia (≤ φ38) [kgcm ²]	惯性力矩 Moment of inertia (≤ φ48) [kgcm ²]	惯性力矩 Moment of inertia (≤ φ65) [kgcm ²]		
			容许最大 径向负荷 Maximum radial load	容许最大 轴向负荷 Maximum axial load	重量 Weight					
			[N]	[N]	[kg]					
210	1段 Single	3	24000	22000	69	-	149.7	224.9		
		4	24000	22000		-	123.8	199.0		
		5	24000	22000		-	113.9	189.1		
		6	24000	22000		-	108.5	183.7		
		7	24000	22000		-	105.0	180.3		
		8	24000	22000		-	103.0	178.2		
		9	24000	22000		-	101.7	176.9		
		10	24000	22000		-	101.1	176.3		
		2段 Double	15	24000		22000	71	36.39	66.21	-
			16	24000		22000		37.30	67.12	-
	20		24000	22000	35.79	65.61		-		
	25		24000	22000	35.49	65.31		-		
	28		24000	22000	36.41	66.23		-		
	30		24000	22000	34.41	64.23		-		
	35		24000	22000	35.22	65.04		-		
	40		24000	22000	34.26	64.08		-		
	45		24000	22000	35.11	64.92		-		
	50		24000	22000	34.18	64.00		-		
	60	24000	22000	34.14	63.96	-				
	70	24000	22000	34.12	63.93	-				
80	24000	22000	34.10	63.92	-					
90	24000	22000	34.09	63.90	-					
100	24000	22000	34.08	63.90	-					

- ※ 1 输入转速为额定转速时,使用寿命为20000小时的值
- ※ 2 启动、停止时容许的最大值
- ※ 3 发生撞击时容许的最大值(频率最高为1000次)
- ※ 4 运转过程中,额定输入转速的容许最大值
- ※ 5 在非连续运转条件下容许的最高输入转速
- ※ 6 输入转速为额定转速时,使用寿命为20000小时的值(作用于轴中央,轴向负荷为0时)
- ※ 7 输入转速为额定转速时,使用寿命为20000小时的值(作用于轴芯,径向负荷为0时)
- ※ 8 径向负荷的容许最大值
- ※ 9 轴向负荷的容许最大值
- ※ 10 因减速比和输入轴尺寸的不同而有所不同。

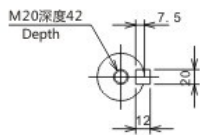
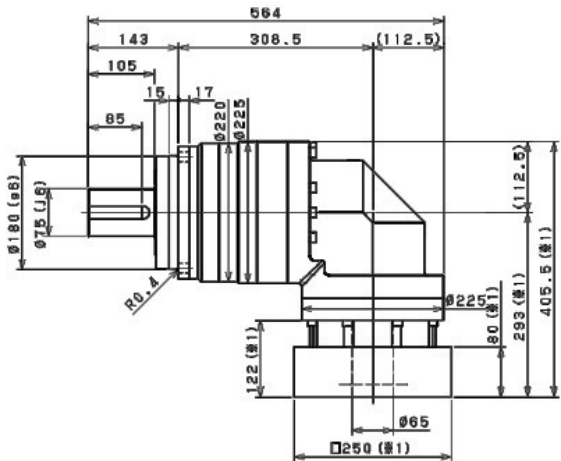
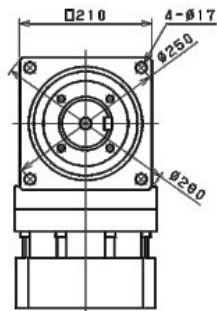
- ※ 1 With nominal input speed, service life is 20,000 hours.
- ※ 2 The maximum torque when starting and stopping.
- ※ 3 The maximum torque when it receives shock (up to 1,000 times)
- ※ 4 The maximum average input speed.
- ※ 5 The maximum momentary input speed.
- ※ 6 With this load and nominal input speed, service life will be 20,000 hours (Applied to the output shaft center, at axial load 0)
- ※ 7 With this load and nominal input speed, service life will be 20,000 hours (Applied to the output side bearing, at radial load 0)
- ※ 8 The maximum radial load the reducer can accept.
- ※ 9 The maximum axial load the reducer can accept.
- ※ 10 The weight may vary slightly model to model.

EPES-210 1段 1stage (订单生产品 On inquiry basis)

输入轴内径 Input shaft bore $\leq \phi 48$



输入轴内径 Input shaft bore $\leq \phi 65$



附带键
Shaft with key

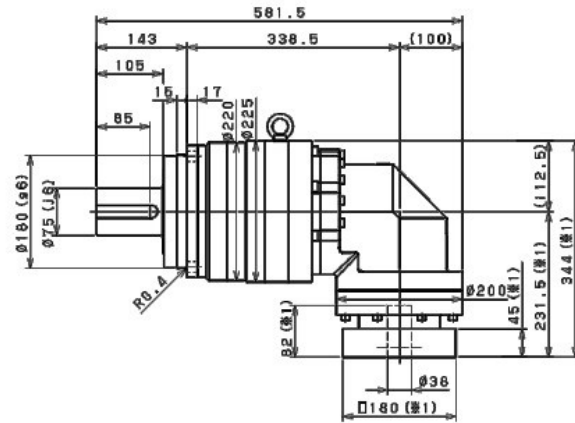
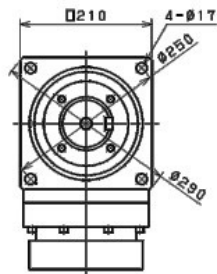


无键
Smooth shaft

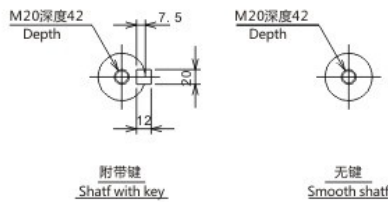
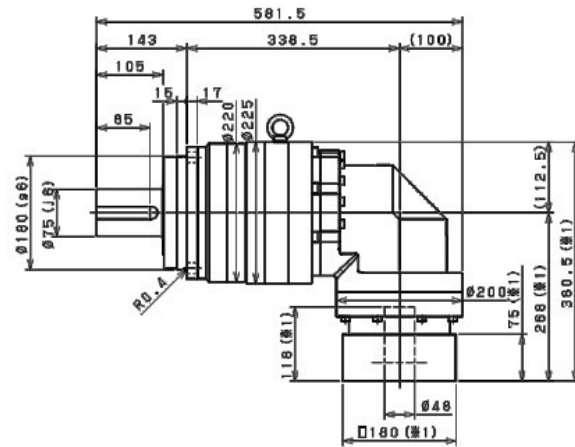
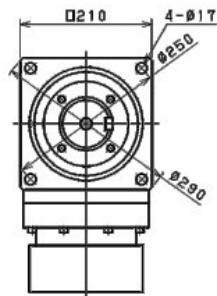
- ※ 1 随安装马达的不同而有所差异。
- ※ 2 马达轴径与输入轴径不同时，可插入轴套。
- ※ 1 Length will vary depending on motor.
- ※ 2 Bushing will be inserted to adapt to motor shaft.

EPES-210 2段 2stage (订单生产品 On inquiry basis)

输入轴内径 Input shaft bore $\leq \phi 38$



输入轴内径 Input shaft bore $\leq \phi 48$



- ※ 1 随安装马达的不同而有所差异。
- ※ 2 马达轴径与输入轴径不同时，可插入轴套。
- ※ 1 Length will vary depending on motor.
- ※ 2 Bushing will be inserted to adapt to motor shaft.

尺寸 Frame size	段位 Stage	减速比 Ratio	※1	※2	※3	※4	※5	※6	※7	
			容许 额定扭矩 Nominal output torque	容许 最大扭矩 Maximum output torque	紧急时 最大扭矩 Emergency stop torque	容许额定 输入转速 Nominal input speed	容许最高 输入转速 Maximum input speed	容许 径向负荷 Permitted radial load	容许 轴向负荷 Permitted axial load	
			[Nm]	[Nm]	[Nm]	[rpm]	[rpm]	[N]	[N]	
240	1段 Single	3	1005	2000	4000	1000	2000	21000	27000	
		4	1340	2960	5400	1000	2000	22000	27000	
		5	1680	2960	6500	1000	2000	24000	27000	
		6	1920	2960	7200	1000	2000	25000	27000	
		7	1920	2960	7200	1000	2000	26000	27000	
		8	1920	2880	7200	1000	2000	28000	27000	
		9	1280	2400	5400	1000	2000	29000	27000	
		10	1280	2080	5400	1000	2000	29000	27000	
		2段 Double	15	1280	2000	5400	1000	2000	30000	27000
			16	1920	2960	7200	1000	2000	30000	27000
	20		1920	2960	7200	1000	2000	30000	27000	
	25		1920	2960	7200	1000	2000	30000	27000	
	28		1920	2960	7200	1000	2000	30000	27000	
	30		1280	2000	5400	1000	2000	30000	27000	
	35		1920	2960	7200	1000	2000	30000	27000	
	40		1920	2960	7200	1000	2000	30000	27000	
	45		1280	1680	5400	1000	2000	30000	27000	
	50		1920	2960	7200	1000	2000	30000	27000	
	60	1920	2960	7200	1000	2000	30000	27000		
	70	1920	2960	7200	1000	2000	30000	27000		
80	1920	2160	7200	1000	2000	30000	27000			
90	1280	1680	5400	1000	2000	30000	27000			
100	1280	1440	5400	1000	2000	30000	27000			

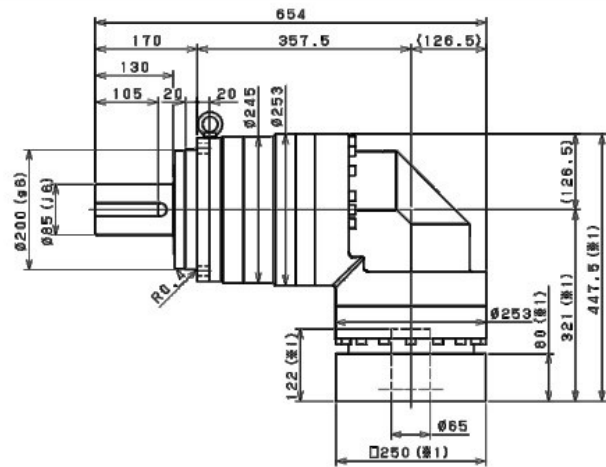
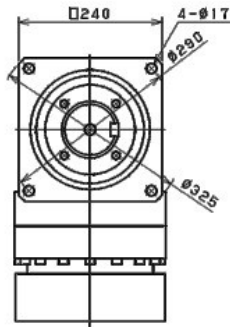
尺寸 Frame size	段位 Stage	减速比 Ratio	※8	※9	※10	惯性力矩 Moment of inertia (≤φ48) [kgcm ²]	惯性力矩 Moment of inertia (≤φ65) [kgcm ²]		
			容许最大 径向负荷 Maximum radial load	容许最大 轴向负荷 Maximum axial load	重量 Weight				
			[N]	[N]	[kg]				
240	1段 Single	3	30000	27000	122	-	-		
		4	30000	27000		-	619.8		
		5	30000	27000		-	594.4		
		6	30000	27000		-	581.2		
		7	30000	27000		-	575.2		
		8	30000	27000		-	570.4		
		9	30000	27000		-	567.5		
		10	30000	27000		-	566.0		
		2段 Double	15	30000		27000	113	115.39	-
			16	30000		27000		117.51	-
	20		30000	27000	114.13	-			
	25		30000	27000	113.51	-			
	28		30000	27000	115.65	-			
	30		30000	27000	109.58	-			
	35		30000	27000	112.95	-			
	40		30000	27000	109.27	-			
	45		30000	27000	112.70	-			
	50		30000	27000	109.11	-			
	60	30000	27000	109.02	-				
	70	30000	27000	108.97	-				
80	30000	27000	108.93	-					
90	30000	27000	108.91	-					
100	30000	27000	108.90	-					

- ※ 1 输入转速为额定转速时，使用寿命为20000小时的值
- ※ 2 启动、停止时容许的最大值
- ※ 3 发生撞击时容许的最大值（频率最高为1000次）
- ※ 4 运转过程中，额定输入转速的容许最大值
- ※ 5 在非连续运转条件下容许的最高输入转速
- ※ 6 输入转速为额定转速时，使用寿命为20000小时的值（作用于轴中央，轴向负荷为0时）
- ※ 7 输入转速为额定转速时，使用寿命为20000小时的值（作用于轴芯，径向负荷为0时）
- ※ 8 径向负荷的容许最大值
- ※ 9 轴向负荷的容许最大值
- ※10 因减速比和输入轴尺寸的不同而有所不同。

- ※ 1 With nominal input speed, service life is 20,000 hours.
- ※ 2 The maximum torque when starting and stopping.
- ※ 3 The maximum torque when it receives shock (up to 1,000 times)
- ※ 4 The maximum average input speed.
- ※ 5 The maximum momentary input speed.
- ※ 6 With this load and nominal input speed, service life will be 20,000 hours (Applied to the output shaft center, at axial load 0)
- ※ 7 With this load and nominal input speed, service life will be 20,000 hours (Applied to the output side bearing, at radial load 0)
- ※ 8 The maximum radial load the reducer can accept.
- ※ 9 The maximum axial load the reducer can accept.
- ※ 10 The weight may vary slightly model to model.

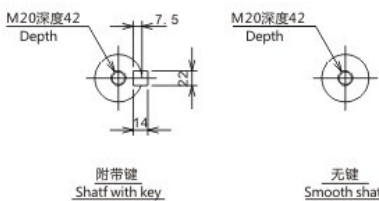
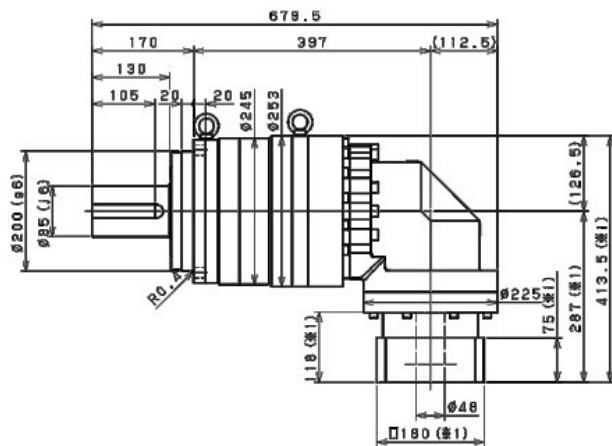
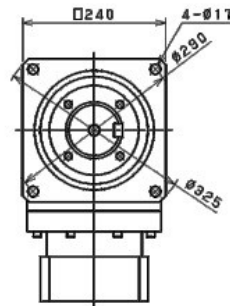
EPES-240 1段 1stage (订单生产品 On inquiry basis)

输入轴内径 Input shaft bore $\leq \phi 65$

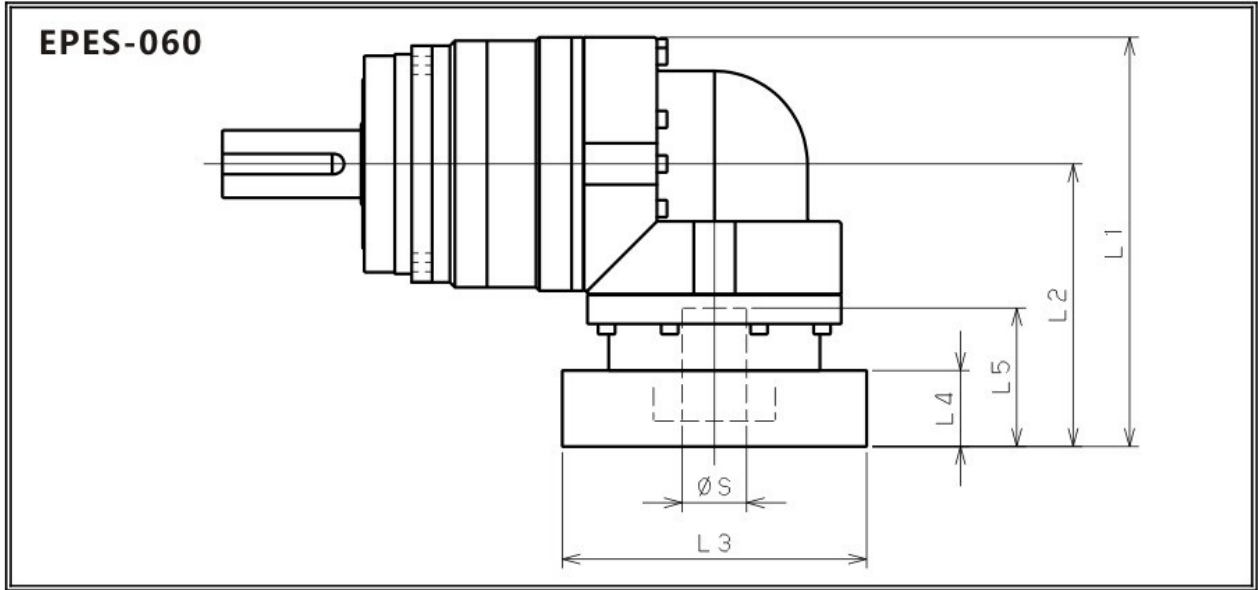


EPES-240 2段 2stage (订单生产品 On inquiry basis)

输入轴内径 Input shaft bore $\leq \phi 48$



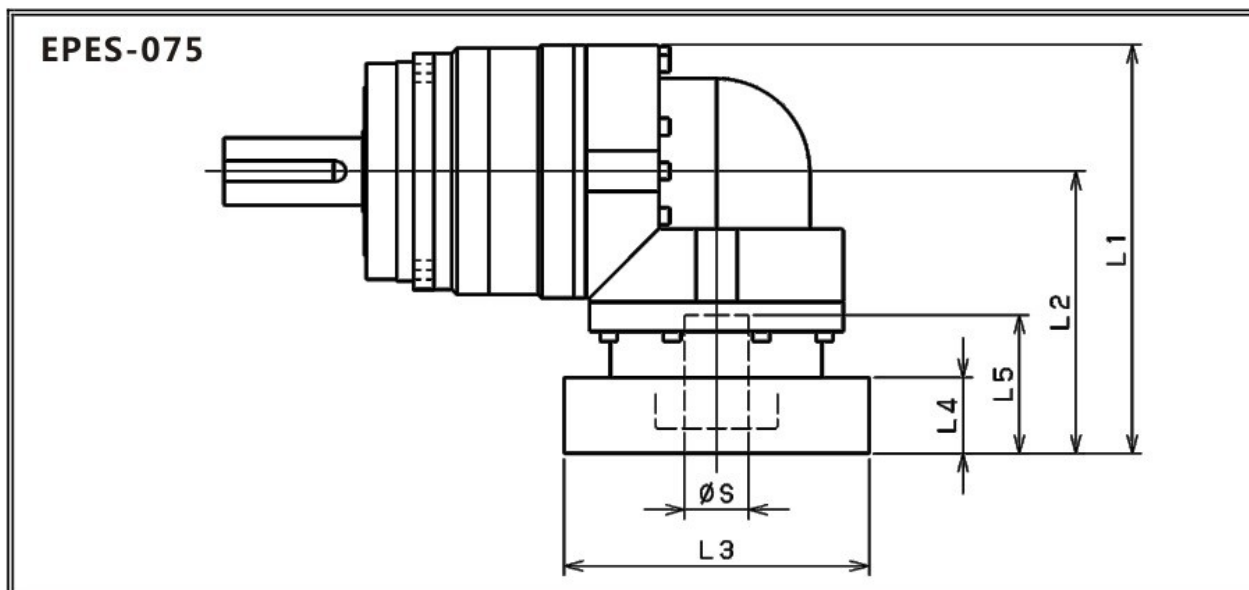
- ※ 1 随安装马达的不同而有所差异。
- ※ 2 马达轴径与输入轴径不同时，可插入轴套。
- ※ 1 Length will vary depending on motor.
- ※ 2 Bushing will be inserted to adapt to motor shaft.



型号 Model number	** : 输入法兰编号 ** : Input flange code	1段 Single					2段 2stage				
		L1	L2	L3	L4	L5	L1	L2	L3	L4	L5
EPES-060-□-□-8** (S ≤ 8)	AA·AC·AD·AF·AG	103	71.5	□52	15.5	32	96	64.5	□52	15.5	32
	AB·AE·AH·AJ·AK	108	76.5	□52	20.5	37	101	69.5	□52	20.5	37
	BA·BB·BD·BE	103	71.5	□60	15.5	32	96	64.5	□60	15.5	32
	BC·BF	108	76.5	□60	20.5	37	101	69.5	□60	20.5	37
	CA	108	76.5	□70	20.5	37	101	69.5	□70	20.5	37
EPES-060-□-□-14** (8 < S ≤ 14)	BA·BB·BD·BE·BF·BG·BJ·BK	109	77.5	□65	16.5	35	100	68.5	□65	16.5	35
	BC·BH	114	82.5	□65	21.5	40	105	73.5	□65	21.5	40
	BL	119	87.5	□65	26.5	45	110	78.5	□65	26.5	45
	CA	109	77.5	□70	16.5	35	100	68.5	□70	16.5	35
	CB	114	82.5	□70	21.5	40	105	73.5	□70	21.5	40
	DA·DB·DC·DD·DF·DH	109	77.5	□80	16.5	35	100	68.5	□80	16.5	35
	DE	114	82.5	□80	21.5	40	105	73.5	□80	21.5	40
	DG	119	87.5	□80	26.5	45	110	78.5	□80	26.5	45
	EA·EB·EC	109	77.5	□90	16.5	35	100	68.5	□90	16.5	35
	ED	119	87.5	□90	26.5	45	110	78.5	□90	26.5	45
	FA	109	77.5	□100	16.5	35	100	68.5	□100	16.5	35
GA	109	77.5	□115	16.5	35	100	68.5	□115	16.5	35	
EPES-060-□-□-19** (14 < S ≤ 19)	DA·DB·DC	126	94.5	□80	25	50					
	DD	136	104.5	□80	35	60					
	DE	131	99.5	□80	30	55					
	EA	131	99.5	□90	30	55					
	EB	126	94.5	□90	25	50					
	EC	136	104.5	□90	35	60					
	FA	126	94.5	□100	25	50					
	FB	136	104.5	□100	35	60					
	GA·GC	131	99.5	□115	30	55					
	GB·GD	126	94.5	□115	25	50					
	HA	126	94.5	□130	25	50					
HB	141	109.5	□130	40	65						
HC·HD·HE	131	99.5	□130	30	55						

※ 1 1段减速: 1/3~1/10; 2段减速: 1/15~1/100
 ※ 2 马达轴径与输入轴径不同时, 可插入轴套。

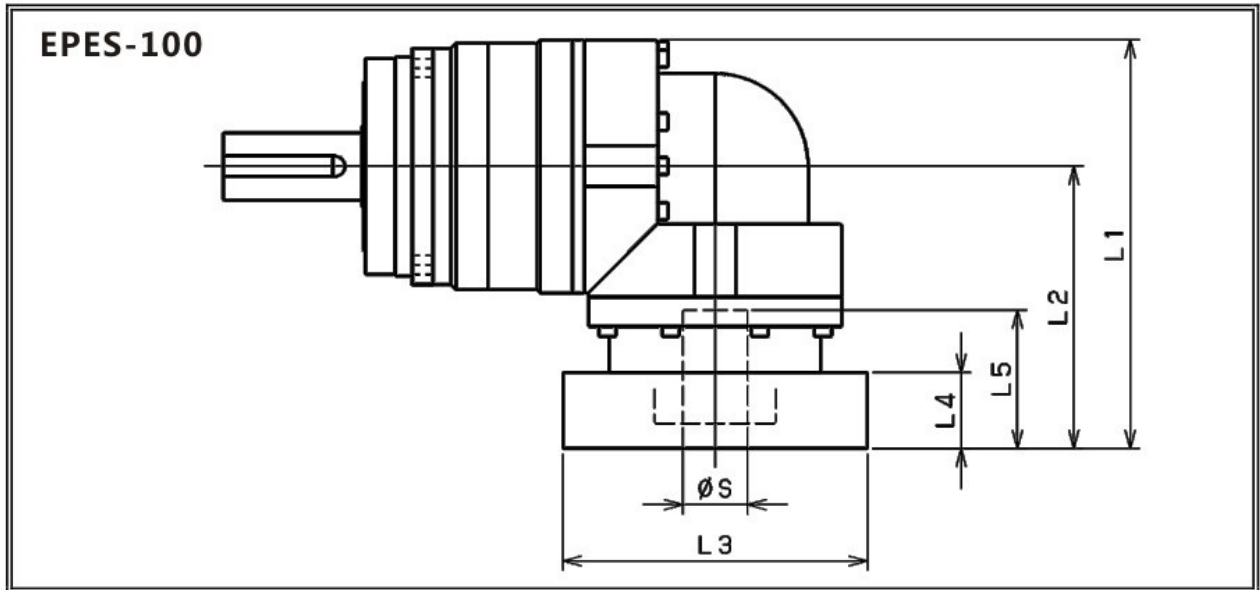
※ 1 Double reduction: 1/3~1/10, Triple reduction: 1/15~1/100
 ※ 2 Bushing will be inserted to adapt to motor shaft.



型号 Model number	**: 输入法兰编号 **: Input flange code	1段 Single					2段 2stage				
		L1	L2	L3	L4	L5	L1	L2	L3	L4	L5
EPES-075-□-□-8** (S ≤ 8)	AA·AC·AD·AF·AG						116	71.5	□52	15.5	32
	AB·AE·AH·AJ·AK						121	76.5	□52	20.5	37
	BA·BB·BD·BE						116	71.5	□60	15.5	32
	BC·BF						121	76.5	□60	20.5	37
	CA						121	76.5	□70	20.5	37
EPES-075-□-□-14** (8 < S ≤ 14)	BA·BB·BD·BE·BF·BG·BJ·BK	137.5	92	□65	16.5	35	122	77.5	□65	16.5	35
	BC·BH	142.5	97	□65	21.5	40	127	82.5	□65	21.5	40
	BL	147.5	102	□65	26.5	45	132	87.5	□65	26.5	45
	CA	137.5	92	□70	16.5	35	122	77.5	□70	16.5	35
	CB	142.5	97	□70	21.5	40	127	82.5	□70	21.5	40
	DA·DB·DC·DD·DF·DH	137.5	92	□80	16.5	35	122	77.5	□80	16.5	35
	DE	142.5	97	□80	21.5	40	127	82.5	□80	21.5	40
	DG	147.5	102	□80	26.5	45	132	87.5	□80	26.5	45
	EA·EB·EC	137.5	92	□90	16.5	35	122	77.5	□90	16.5	35
	ED	147.5	102	□90	26.5	45	132	87.5	□90	26.5	45
	FA	137.5	92	□100	16.5	35	122	77.5	□100	16.5	35
GA	137.5	92	□115	16.5	35	122	77.5	□115	16.5	35	
EPES-075-□-□-19** (14 < S ≤ 19)	DA·DB·DC	145.5	100	□80	25	50	139	94.5	□80	25	50
	DD	155.5	110	□80	35	60	149	104.5	□80	35	60
	DE	150.5	105	□80	30	55	144	99.5	□80	30	55
	EA	150.5	105	□90	30	55	144	99.5	□90	30	55
	EB	145.5	100	□90	25	50	139	94.5	□90	25	50
	EC	155.5	110	□90	35	60	149	104.5	□90	35	60
	FA	145.5	100	□100	25	50	139	94.5	□100	25	50
	FB	155.5	110	□100	35	60	149	104.5	□100	35	60
	GA·GC	150.5	105	□115	30	55	144	99.5	□115	30	55
	GB·GD	145.5	100	□115	25	50	139	94.5	□115	25	50
	HA	145.5	100	□130	25	50	139	94.5	□130	25	50
	HB	160.5	115	□130	40	65	154	109.5	□130	40	65
	HC·HD·HE	150.5	105	□130	30	55	144	99.5	□130	30	55
EPES-075-□-□-28** (19 < S ≤ 28)	FA·FB·FC	174.5	129	□100	35	67					
	GA·GB·GC·GD·GE·GF·GG	174.5	129	□115	35	67					
	HA·HC·HD	174.5	129	□130	35	67					
	HB	184.5	139	□130	45	77					
	JA·JB·JC	174.5	129	□150	35	67					
	KA·KB	174.5	129	□180	35	67					
	LA	174.5	129	□200	35	67					
MA	174.5	129	□220	35	67						

※ 1 1段减速: 1/3~1/10; 2段减速: 1/15~1/100
 ※ 2 马达轴径与输入轴径不同时, 可插入轴套。

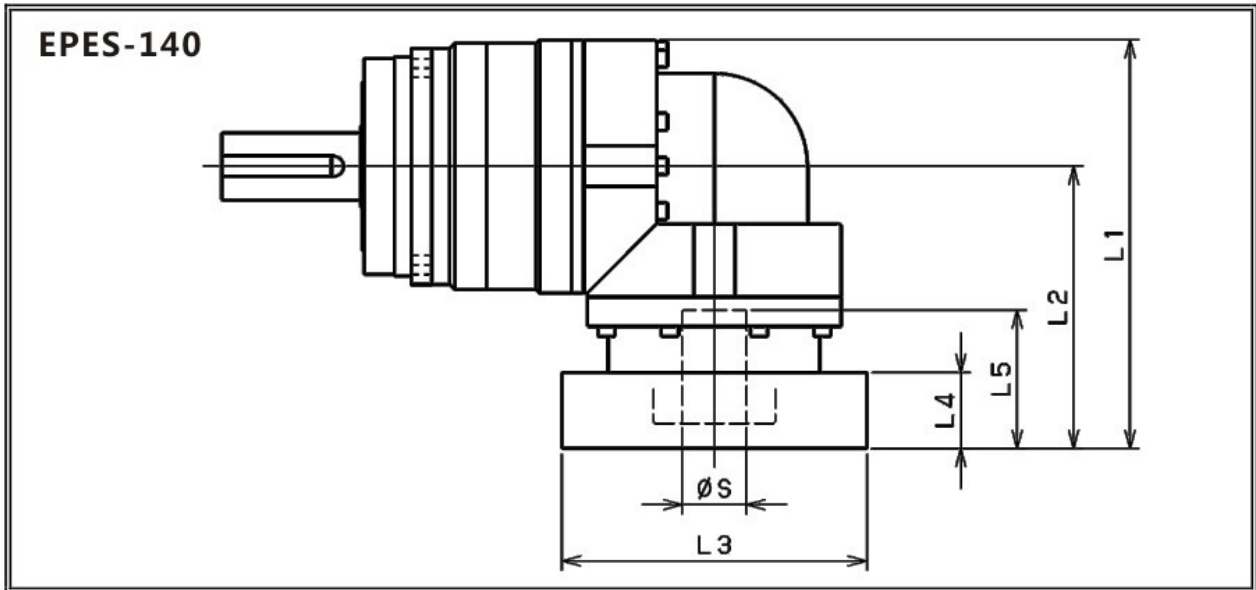
※ 1 Double reduction: 1/3~1/10, Triple reduction: 1/15~1/100
 ※ 2 Bushing will be inserted to adapt to motor shaft.



型号 Model number	** : 输入法兰编号 ** : Input flange code	1段 Single					2段 2stage				
		L1	L2	L3	L4	L5	L1	L2	L3	L4	L5
EPES-100-□-□-14** (S ≤ 14)	BA·BB·BD·BE·BF·BG·BJ·BK						152	92	□65	16.5	35
	BC·BH						157	97	□65	21.5	40
	BL						162	102	□65	26.5	45
	CA						152	92	□70	16.5	35
	CB						157	97	□70	21.5	40
	DA·DB·DC·DD·DF·DH						152	92	□80	16.5	35
	DE						157	97	□80	21.5	40
	DG						162	102	□80	26.5	45
	EA·EB·EC						152	92	□90	16.5	35
	ED						162	102	□90	26.5	45
	FA						152	92	□100	16.5	35
	GA						152	92	□115	16.5	35
EPES-100-□-□-19** (14 < S ≤ 19)	DA·DB·DC	170	110	□80	25	50	160	100	□80	25	50
	DD	180	120	□80	35	60	170	110	□80	35	60
	DE	175	115	□80	30	55	165	105	□80	30	55
	EA	175	115	□90	30	55	165	105	□90	30	55
	EB	170	110	□90	25	50	160	100	□90	25	50
	EC	180	120	□90	35	60	170	110	□90	35	60
	FA	170	110	□100	25	50	160	100	□100	25	50
	FB	180	120	□100	35	60	170	110	□100	35	60
	GA·GC	175	115	□115	30	55	165	105	□115	30	55
	GB·GD	170	110	□115	25	50	160	100	□115	25	50
	HA	170	110	□130	25	50	160	100	□130	25	50
	HB	185	125	□130	40	65	175	115	□130	40	65
HC·HD·HE	175	115	□130	30	55	165	105	□130	30	55	
EPES-100-□-□-28** (19 < S ≤ 28)	FA·FB·FC	196	136	□100	35	67	189	129	□100	35	67
	GA·GB·GC·GD·GE·GF·GG	196	136	□115	35	67	189	129	□115	35	67
	HA·HC·HD	196	136	□130	35	67	189	129	□130	35	67
	HB	206	146	□130	45	77	199	139	□130	45	77
	JA·JB·JC	196	136	□150	35	67	189	129	□150	35	67
	KA·KB	196	136	□180	35	67	189	129	□180	35	67
	LA	196	136	□200	35	67	189	129	□200	35	67
EPES-100-□-□-38** (28 < S ≤ 38)	MA	196	136	□220	35	67	189	129	□220	35	67
	HA	213	153	□130	45	82					
	HB	208	148	□130	40	77					
	JA	213	153	□150	45	82					
	KA·KB·KC	213	153	□180	45	82					
	LA	213	153	□200	45	82					
	LB	223	163	□200	55	92					
MA·MB	213	153	□220	45	82						
NA	213	153	□250	45	82						

※ 1 1段减速: 1/3~1/10; 2段减速: 1/15~1/100
 ※ 2 马达轴径与输入轴径不同时, 可插入轴套。

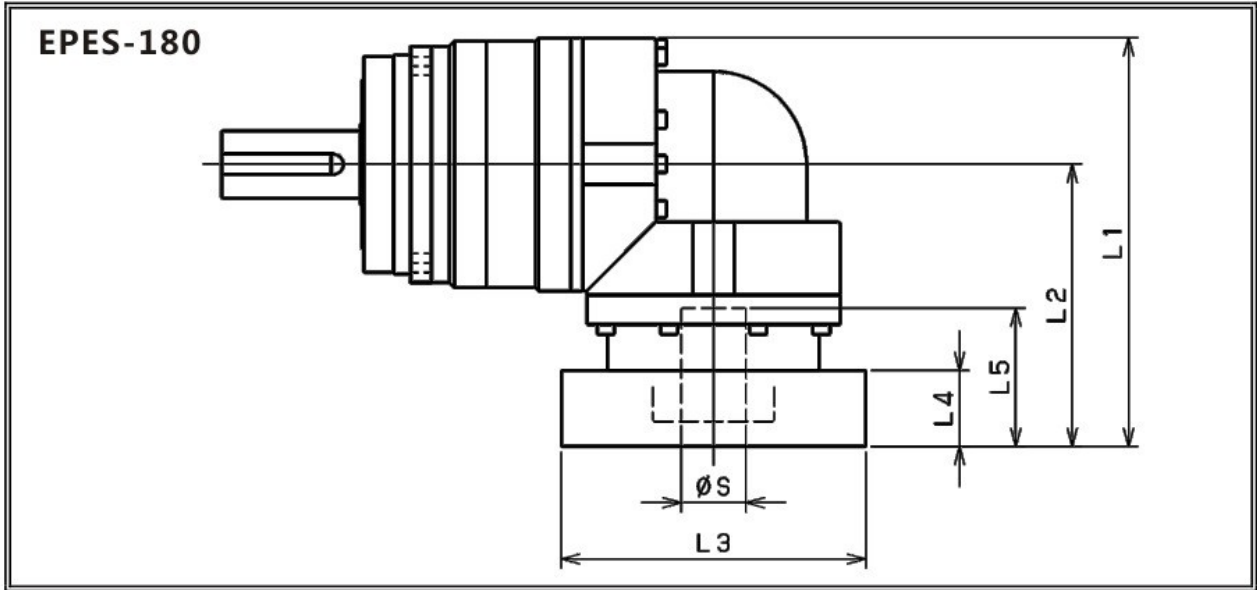
※ 1 Double reduction: 1/3~1/10, Triple reduction: 1/15~1/100
 ※ 2 Bushing will be inserted to adapt to motor shaft.



型号 Model number	**: 输入法兰编号 **: Input flange code	1段 Single					2段 2stage				
		L1	L2	L3	L4	L5	L1	L2	L3	L4	L5
EPES-140-□-□-19** ($S \leq 19$)	DA·DB·DC						185	110	□80	25	50
	DD						195	120	□80	35	60
	DE						190	115	□80	30	55
	EA						190	115	□90	30	55
	EB						185	110	□90	25	50
	EC						195	120	□90	35	60
	FA						185	110	□100	25	50
	FB						195	120	□100	35	60
	GA·GC						190	115	□115	30	55
	GB·GD						185	110	□115	25	50
	HA						185	110	□130	25	50
	HB						200	125	□130	40	65
	HC·HD·HE						190	115	□130	30	55
EPES-140-□-□-28** ($19 < S \leq 28$)	FA·FB·FC	227	152	□100	35	67	211	136	□100	35	67
	GA·GB·GC·GD·GE·GF·GG	227	152	□115	35	67	211	136	□115	35	67
	HA·HC·HD	227	152	□130	35	67	211	136	□130	35	67
	HB	237	162	□130	45	77	221	146	□130	45	77
	JA·JB·JC	227	152	□150	35	67	211	136	□150	35	67
	KA·KB	227	152	□180	35	67	211	136	□180	35	67
	LA	227	152	□200	35	67	211	136	□200	35	67
MA	227	152	□220	35	67	211	136	□220	35	67	
EPES-140-□-□-38** ($28 < S \leq 38$)	HA	242	167	□130	45	82	228	153	□130	45	82
	HB	237	162	□130	40	77	223	148	□130	40	77
	JA	242	167	□150	45	82	228	153	□150	45	82
	KA·KB·KC	242	167	□180	45	82	228	153	□180	45	82
	LA	242	167	□200	45	82	228	153	□200	45	82
	LB	252	177	□200	55	92	238	163	□200	55	92
	MA·MB	242	167	□220	45	82	228	153	□220	45	82
NA	242	167	□250	45	82	228	153	□250	45	82	
EPES-140-□-□-48** ($38 < S \leq 48$)	KB·KC	268	193	□180	55	98					
	KA	288	213	□180	75	118					
	LA	268	193	□200	55	98					
	MA	268	193	□220	55	98					
	MB	288	213	□220	75	118					
	NA	288	213	□250	75	118					
PA	288	213	□280	75	118						

※ 1 1段减速: 1/3~1/10; 2段减速: 1/15~1/100
 ※ 2 马达轴径与输入轴径不同时, 可插入轴套。

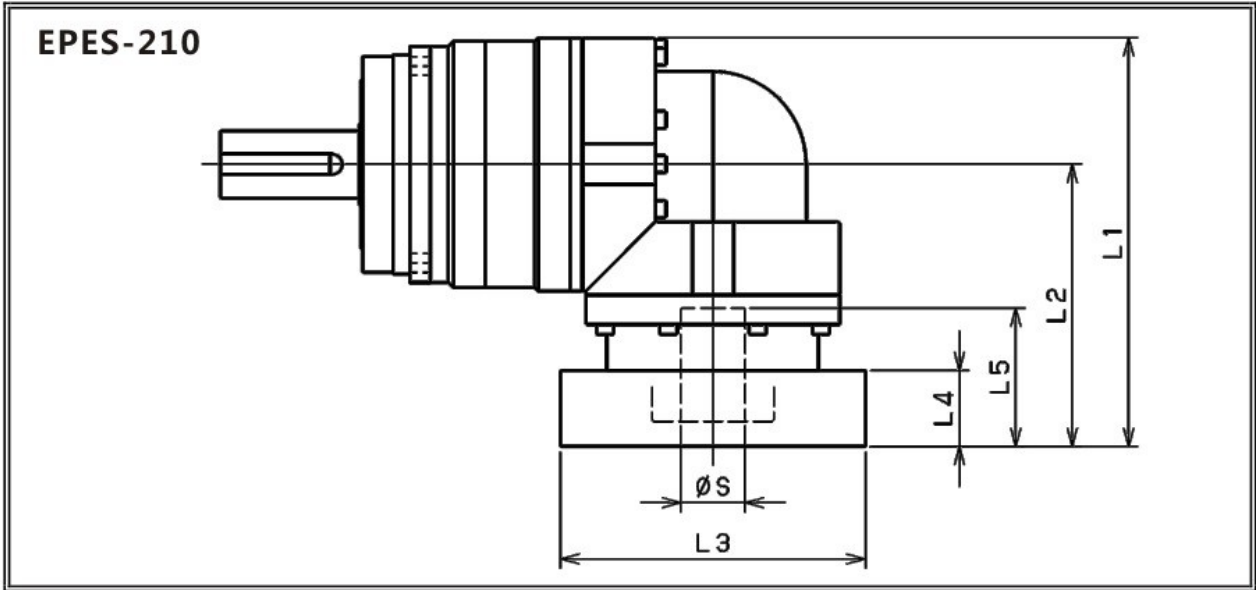
※ 1 Double reduction: 1/3~1/10, Triple reduction: 1/15~1/100
 ※ 2 Bushing will be inserted to adapt to motor shaft.



型号 Model number	** : 输入法兰编号 ** : Input flange code	1段 Single					2段 2stage				
		L1	L2	L3	L4	L5	L1	L2	L3	L4	L5
EPES-180-□-□-28** (S ≤ 28)	FA·FB·FC						252	152	□100	35	67
	GA·GB·GC·GD·GE·GF·GG						252	152	□115	35	67
	HA·HC·HD						252	152	□130	35	67
	HB						262	162	□130	45	77
	JA·JB·JC						252	152	□150	35	67
	KA·KB						252	152	□180	35	67
	KD						262	162	□180	45	77
	LA						252	152	□200	35	67
	MA						252	152	□220	35	67
EPES-180-□-□-38** (28 < S ≤ 38)	HA	331.5	231.5	□130	45	82	267	167	□130	45	82
	HB	326.5	226.5	□130	40	77	262	162	□130	40	77
	JA	331.5	231.5	□150	45	82	267	167	□150	45	82
	KA·KB·KC	331.5	231.5	□180	45	82	267	167	□180	45	82
	LA	331.5	231.5	□200	45	82	267	167	□200	45	82
	LB	341.5	241.5	□200	55	92	277	177	□200	55	92
	MA·MB	331.5	231.5	□220	45	82	267	167	□220	45	82
	NA	331.5	231.5	□250	45	82	267	167	□250	45	82
EPES-180-□-□-48** (38 < S ≤ 48)	KB·KC	348	248	□180	55	98	293	193	□180	55	98
	KA	368	268	□180	75	118	313	213	□180	75	118
	LA	348	248	□200	55	98	293	193	□200	55	98
	MA	348	248	□220	55	98	293	193	□220	55	98
	MB	368	268	□220	75	118	313	213	□220	75	118
	NA	368	268	□250	75	118	313	213	□250	75	118
	PA	368	268	□280	75	118	313	213	□280	75	118
EPES-180-□-□-65** (48 < S ≤ 65)	MA·MB·MC·MD	381	281	□220	80	122					
	NA	381	281	□250	80	122					
	PA	401	301	□280	100	142					
	PB	411	311	□280	110	152					
	QA	401	301	□320	100	142					

※ 1 1段减速 : 1/3~1/10; 2段减速 : 1/15~1/100
 ※ 2 马达轴径与输入轴径不同时, 可插入轴套。

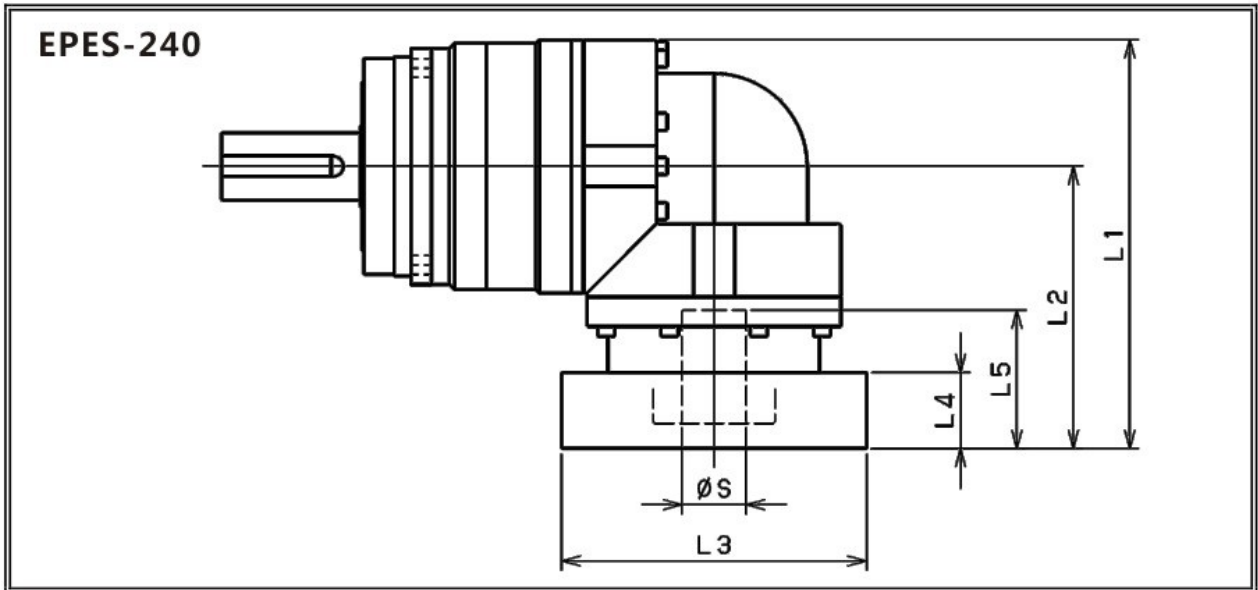
※ 1 Double reduction: 1/3~1/10, Triple reduction: 1/15~1/100
 ※ 2 Bushing will be inserted to adapt to motor shaft.



型号 Model number	**: 输入法兰编号 **: Input flange code	1段 Single					2段 2stage				
		L1	L2	L3	L4	L5	L1	L2	L3	L4	L5
EPES-210-□-□-38** (S ≤ 38)	HA						344	231.5	□130	45	82
	HB						339	226.5	□130	40	77
	JA						344	231.5	□150	45	82
	KA·KB·KC						344	231.5	□180	45	82
	LA						344	231.5	□200	45	82
	LB						354	241.5	□200	55	92
	MA·MB						344	231.5	□220	45	82
	NA						344	231.5	□250	45	82
EPES-210-□-□-48** (38 < S ≤ 48)	KB·KC	379.5	267	□180	55	98	360.5	248	□180	55	98
	KA	399.5	287	□180	75	118	380.5	268	□180	75	118
	LA	379.5	267	□200	55	98	360.5	248	□200	55	98
	MA	379.5	267	□220	55	98	360.5	248	□220	55	98
	MB	399.5	287	□220	75	118	380.5	268	□220	75	118
	NA	399.5	287	□250	75	118	380.5	268	□250	75	118
	PA	399.5	287	□280	75	118	380.5	268	□280	75	118
EPES-210-□-□-65** (48 < S ≤ 65)	MA·MB·MC·MD	405.5	293	□220	80	122					
	NA	405.5	293	□250	80	122					
	PA	425.5	313	□280	100	142					
	PB	435.5	323	□280	110	152					
	QA	425.5	313	□320	100	142					

※ 1 1段减速 : 1/3~1/10; 2段减速 : 1/15~1/100
 ※ 2 马达轴径与输入轴径不同时, 可插入轴套。

※ 1 Double reduction: 1/3~1/10, Triple reduction: 1/15~1/100
 ※ 2 Bushing will be inserted to adapt to motor shaft.



型号 Model number	** : 输入法兰编号 ** : Input flange code	1段 Single					2段 2stage				
		L1	L2	L3	L4	L5	L1	L2	L3	L4	L5
EPES-240-□-□-48** (S ≤ 48)	KB·KC						393.5	267	□180	55	98
	KA						413.5	287	□180	75	118
	LA						393.5	267	□200	55	98
	MA						393.5	267	□220	55	98
	MB						413.5	287	□220	75	118
	NA						413.5	287	□250	75	118
	PA						413.5	287	□280	75	118
EPES-240-□-□-65** (48 < S ≤ 65)	MA·MB·MC·MD	447.5	321	□220	80	122					
	NA	447.5	321	□250	80	122					
	PA	467.5	341	□280	100	142					
	PB	477.5	351	□280	110	152					
	QA	467.5	341	□320	100	142					

※ 1 1段减速 : 1/3~1/10; 2段减速 : 1/15~1/100
 ※ 2 马达轴径与输入轴径不同时, 可插入轴套。

※ 1 Double reduction: 1/3~1/10, Triple reduction: 1/15~1/100
 ※ 2 Bushing will be inserted to adapt to motor shaft.

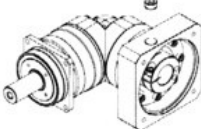
14、安装方法/ Installation

1 安装马达的步骤 Mounting procedure to the motor

1 擦拭马达轴上的防锈剂、润滑脂等。
Wipe off anti-rust agent and oil on the motor shaft.

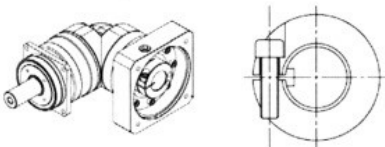


2 取下橡皮栓。
Remove the plug.



3 旋转输入轴使用紧固螺栓的头对准塞孔。此时，请确认紧固螺栓是松动的。
Turn the input shaft until the cap screw is seen. Make sure the cap screw is loosened.

如带有轴套，安装方法如图所示。
In case the bushing has been attached, Please fix it to the reducer as the drawing below.



4 将减速机垂直放置在平坦的地方，使减速机的马达安装面朝上侧。将马达轴慢慢地插入输入轴，注意避免撞击到输入轴，请确认马达的法兰面紧靠减速机的法兰面。按指定的紧固扭矩拧紧马达安装螺栓。（参考表1）
Please place reducer vertically on the flat surface so the motor mounting part faces up. Carefully insert the motor shaft into the input shaft. (It should be inserted smoothly) Make sure the motor flange is perfectly fit to the reducer's flange. Tighten the motor installing bolts to the proper torque. (See table1)



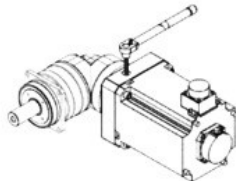
2 减速机的安装

要将减速机安装到设备上时，请先确认安装面平坦且没有毛刺等，然后使用转矩扳手等按照指定的紧固扭矩拧紧螺栓。（参考表2）

Reducer installation

After confirming the installation surface is flat and clean, tighten the bolt using a torque wrench to the proper torque. (See table2)

5 使用转矩扳手等按照指定的紧固扭矩拧紧紧固螺栓。（参考表1）
Tighten the clamping bolt of the input shaft with torque wrench to the proper torque. (See table1)



6 安装上橡皮栓，安装完成。
Reinstall the plug. The procedure is done.

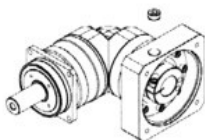


表 1 Table 1

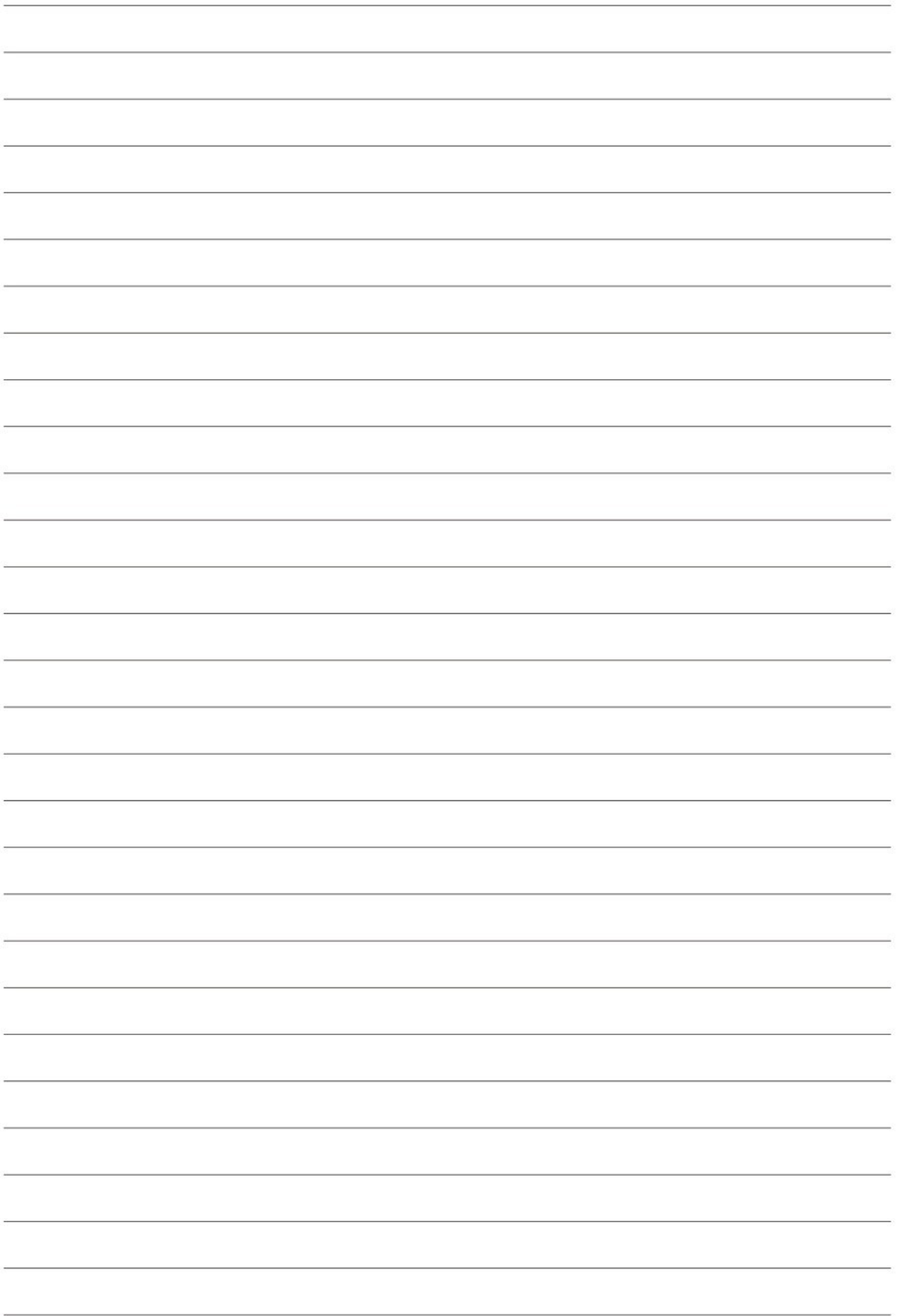
螺栓 尺寸 Bolt size	马达安装螺栓 Motor installing bolts		紧固螺栓 Clamping bolt	
	N·m	kgf·m	N·m	kgf·m
M3	1.1	0.11	1.9	0.18
M4	2.5	0.26	4.3	0.44
M5	5.1	0.52	8.7	0.89
M6	8.7	0.89	15	1.5
M8	21	2.1	36	3.7
M10	42	4.3	71	7.2
M12	72	7.3	125	13
M16	134	14	-	-

表 2 Table 2

螺栓 尺寸 Bolt size	紧固扭矩 Tightening torque	
	N·m	kgf·m
M3	1.9	0.18
M4	4.3	0.44
M5	8.7	0.89
M6	15	1.5
M8	36	3.7
M10	71	7.2
M12	125	13
M16	310	32
M20	603	62

※推荐螺栓：强度12.9以上

※Recommended bolt: Strength 12.9





Via del Campo 3
40012 Calderara di Reno (Bologna) - Italy
Tel. +39 051 727079 - Fax +39 051 407523
info@nise.it - www.nise.it